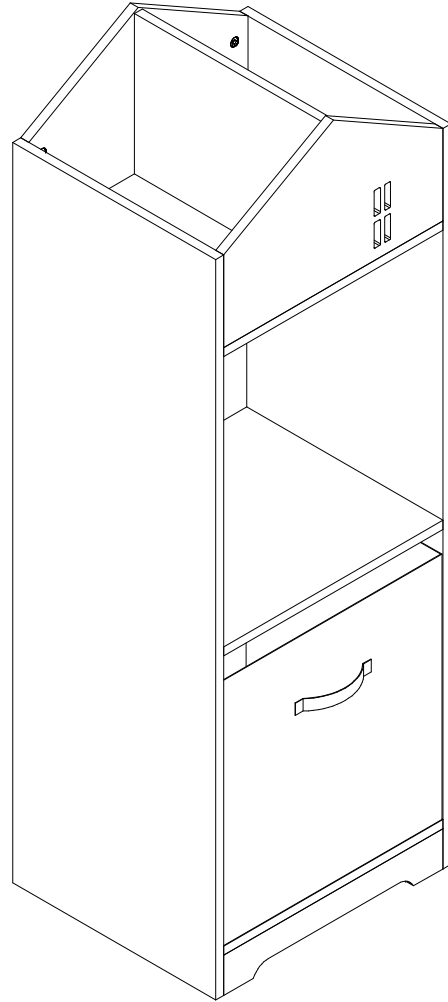
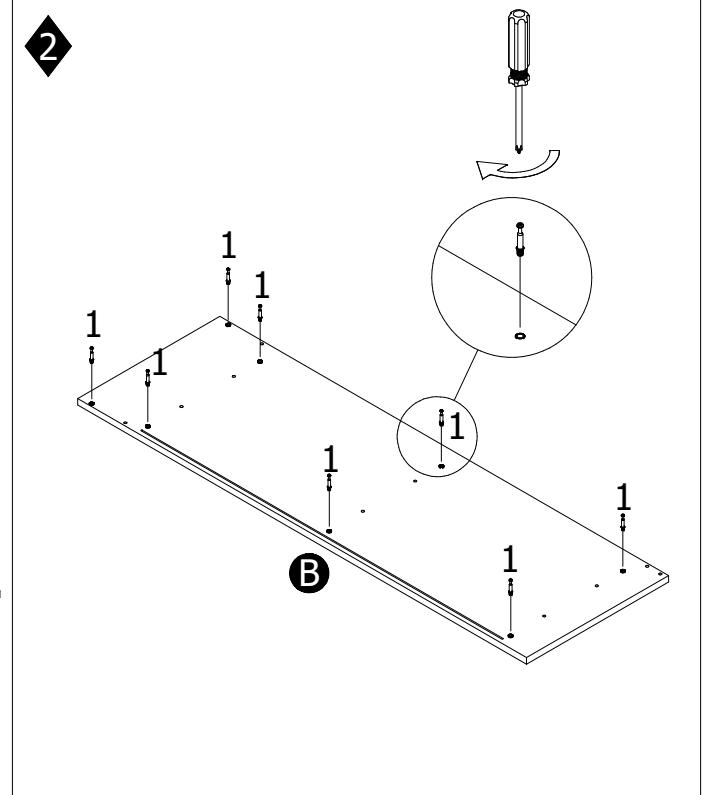
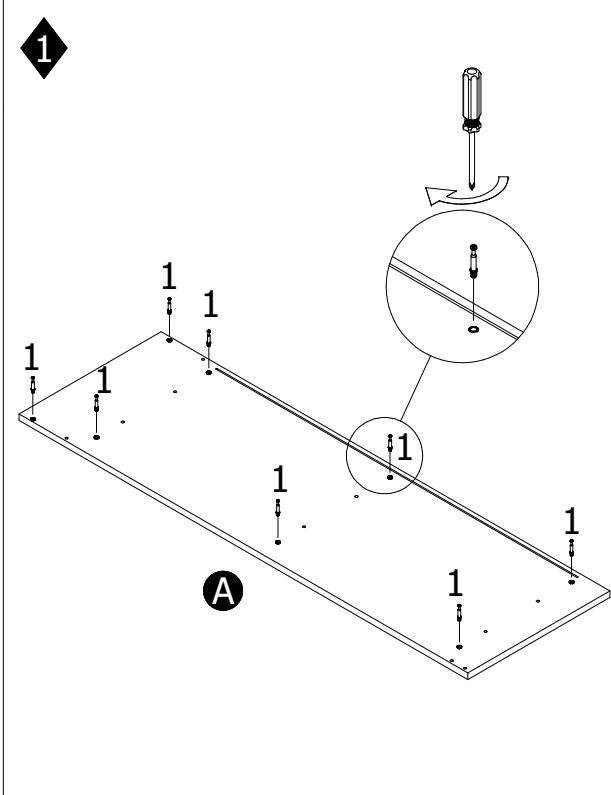
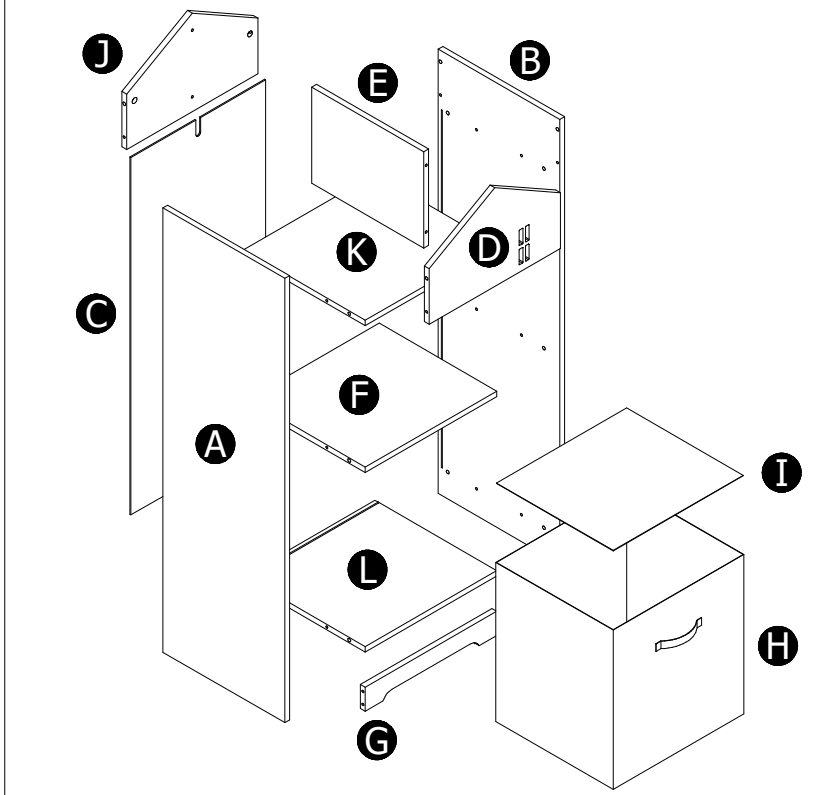
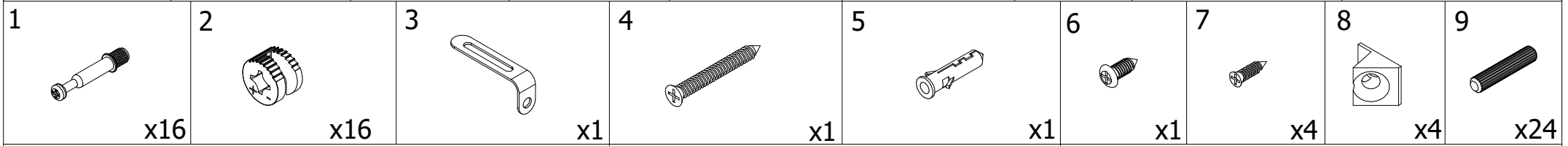
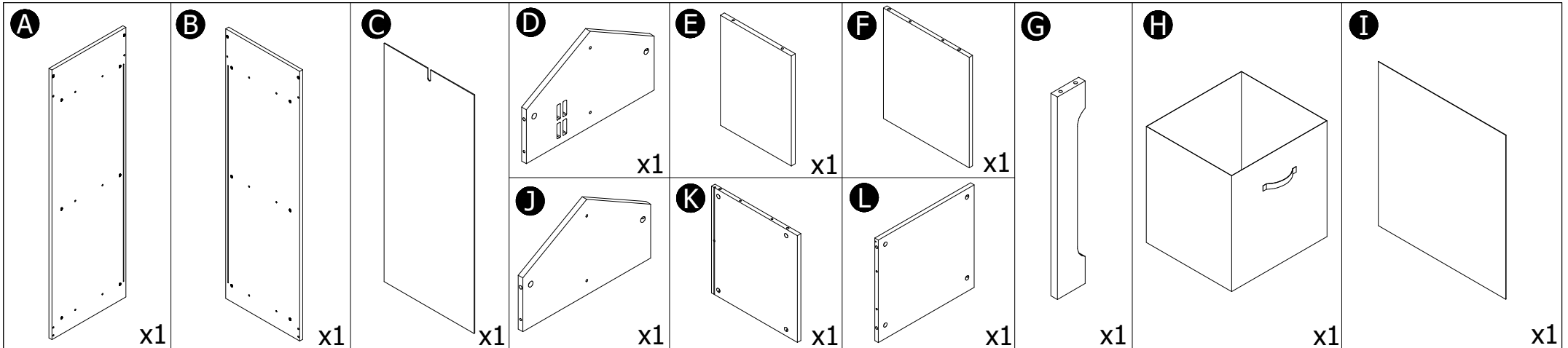
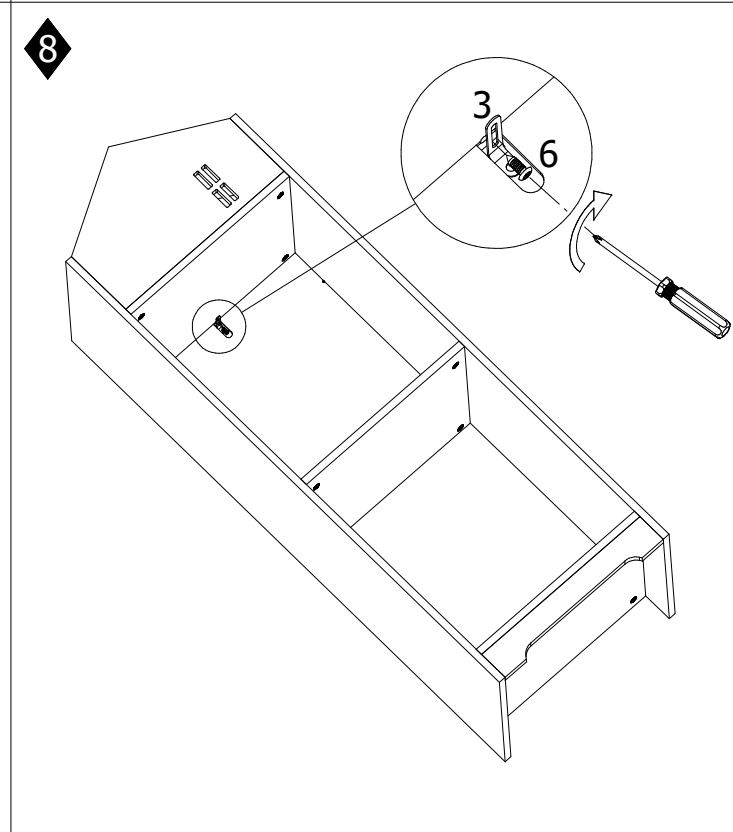
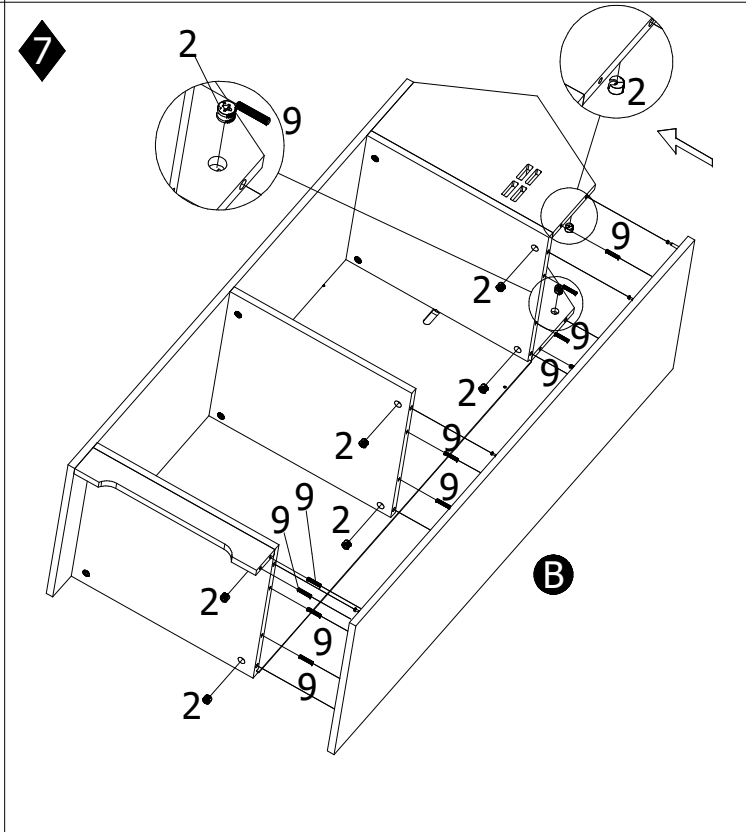
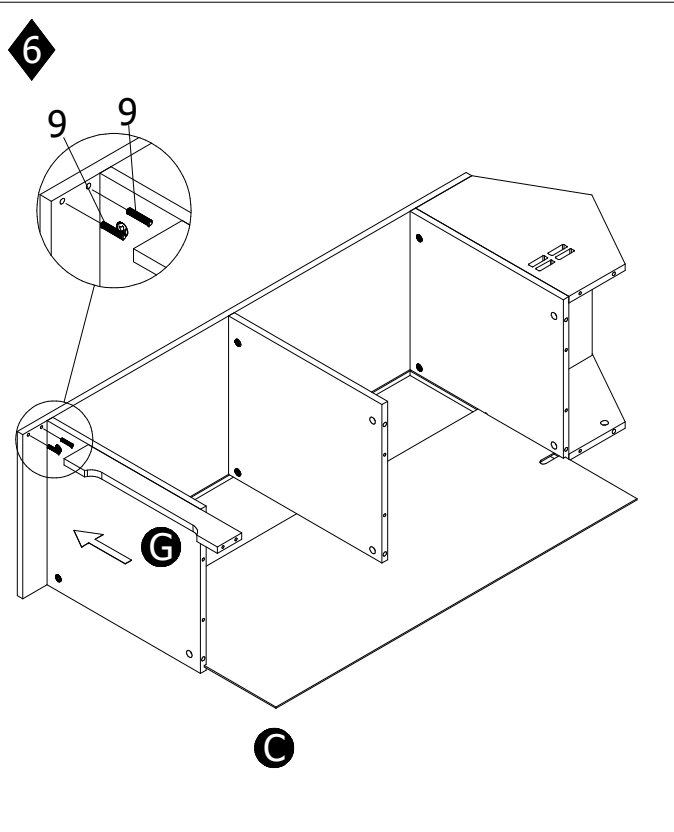
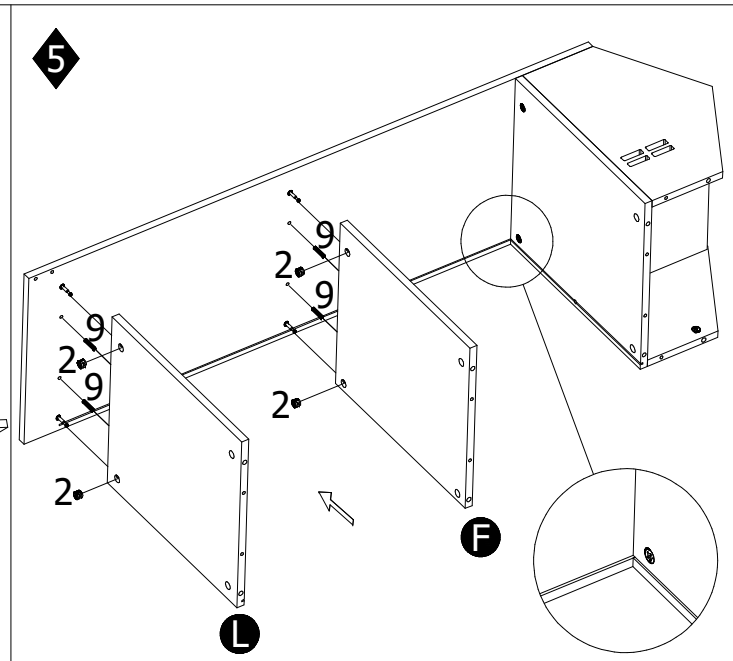
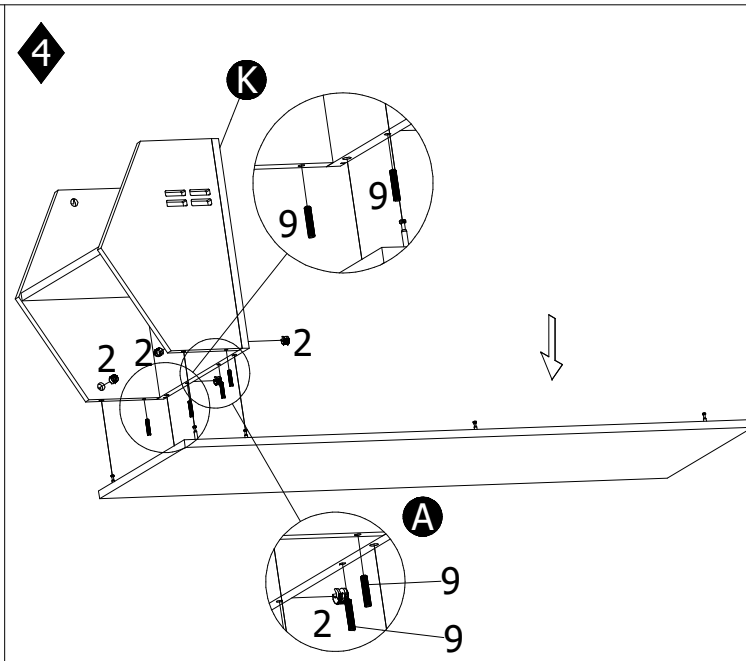
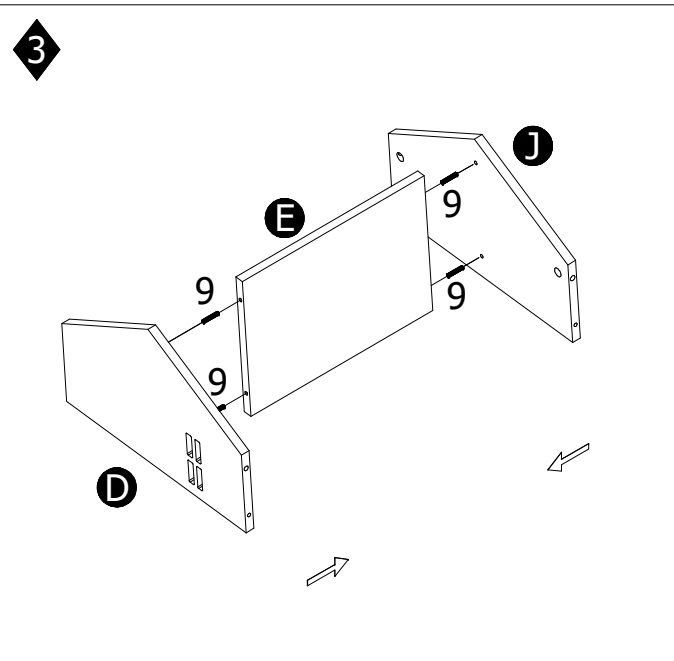


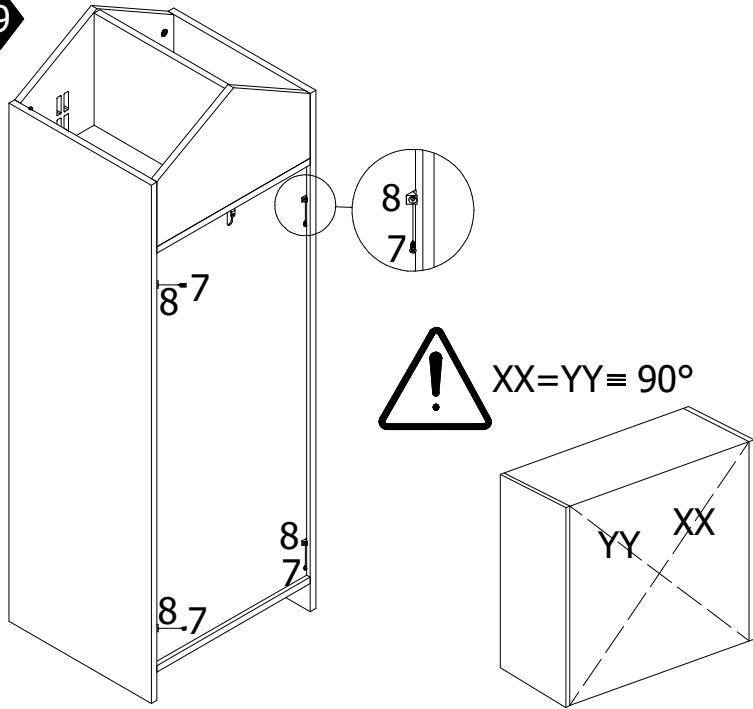
ASSEMBLY INSTRUCTION





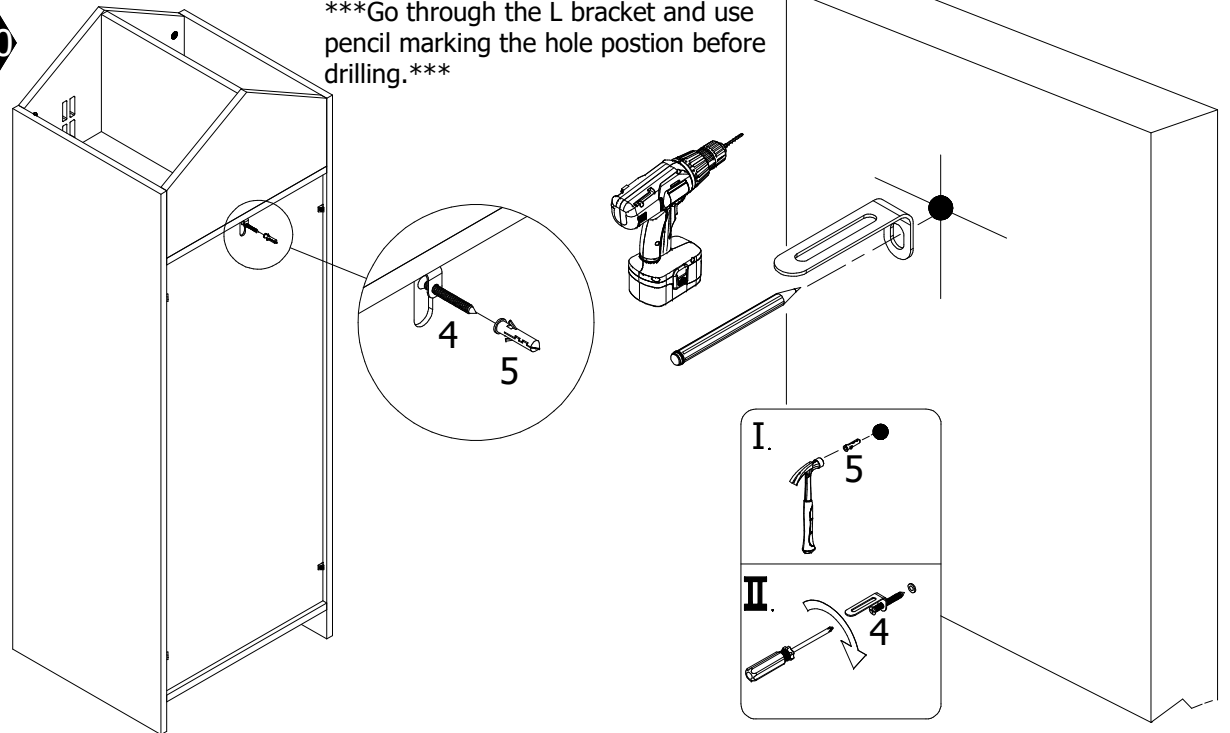


9

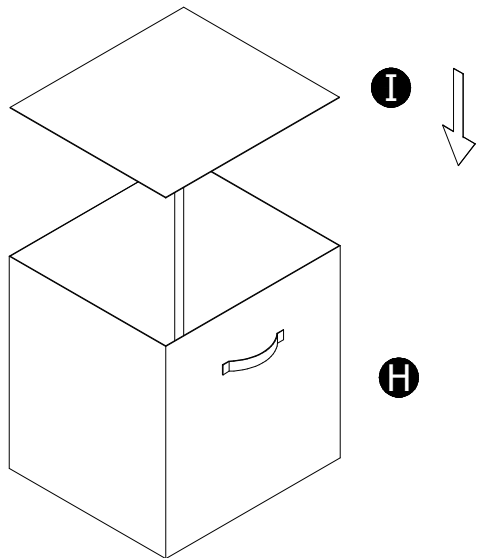


10

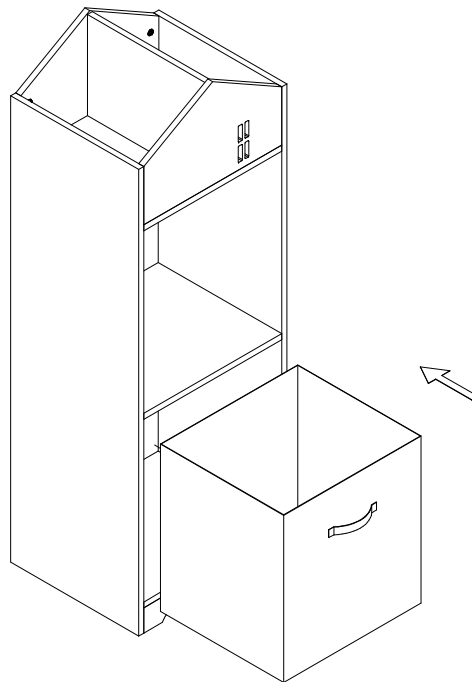
Go through the L bracket and use pencil marking the hole position before drilling.



11



12



13

