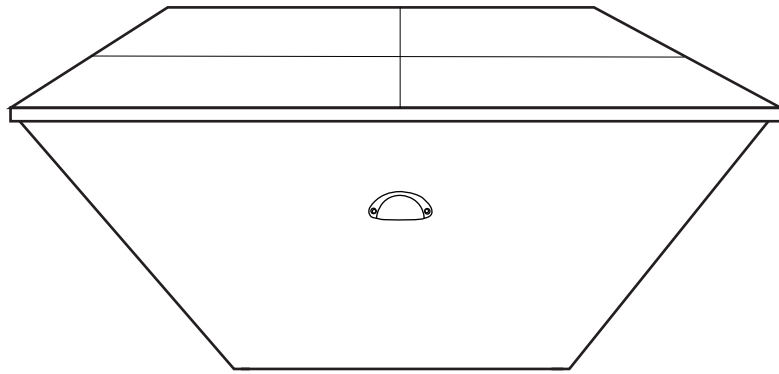
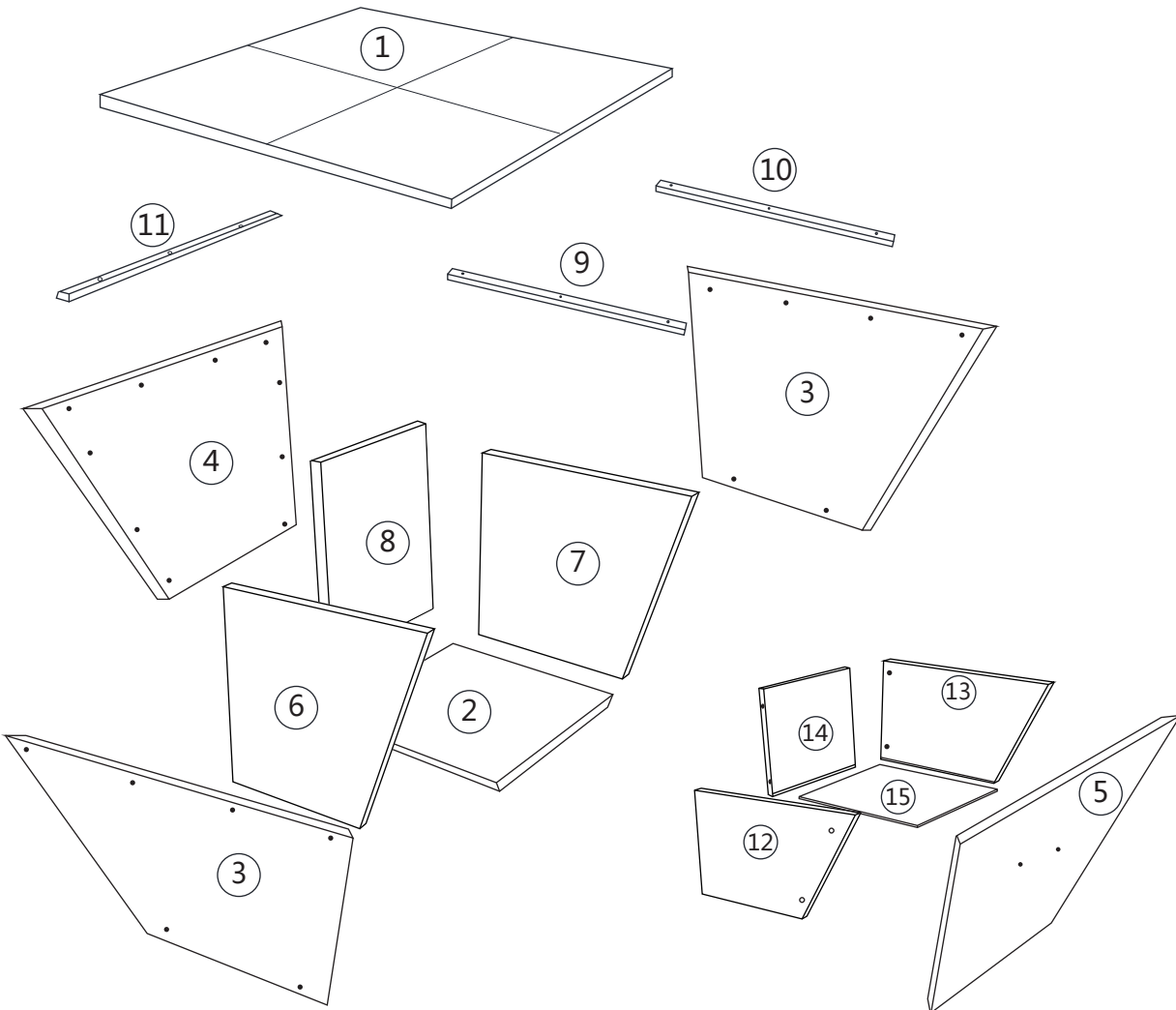
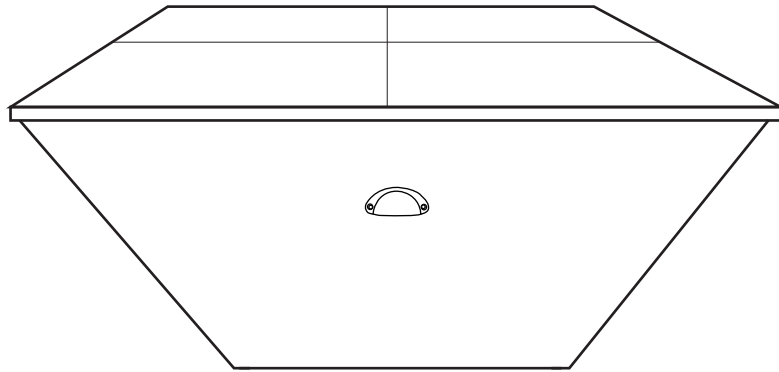












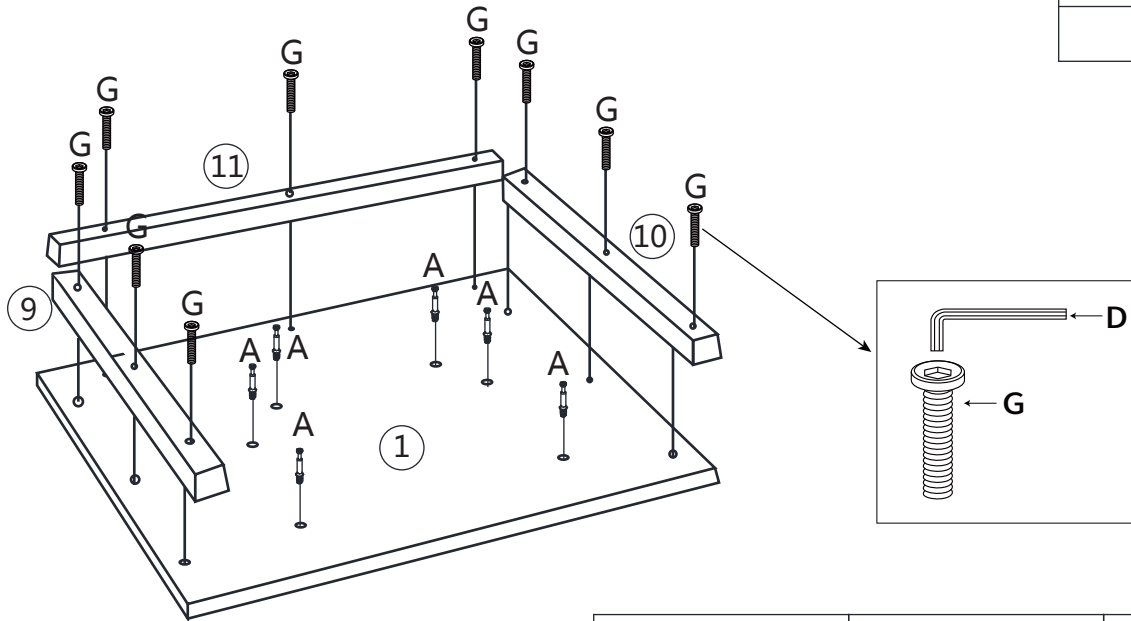
ASSEMBLY INSTRUCTIONS




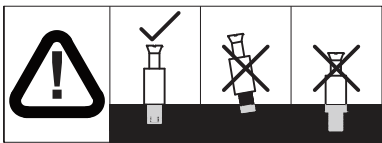





 Ø 6x35mm AX18	 Ø 15x12mm BX18	 Ø4x35mm CX20	 DX1	 EX1
 Ø3.5x12mm FX14	 Ø6x30mm GX9	 HX2	 IX1	 Ø4x16mm JX2

STEP 1

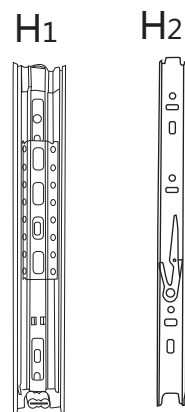
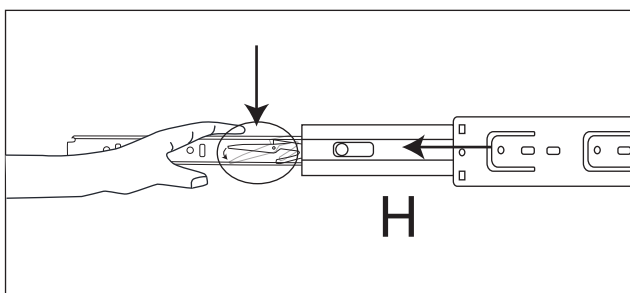



 Ø4x30mm KX6



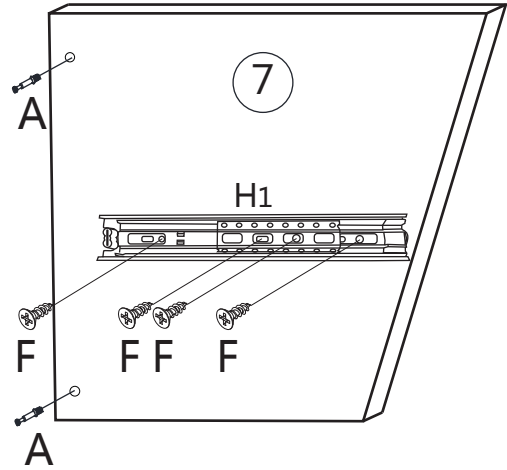
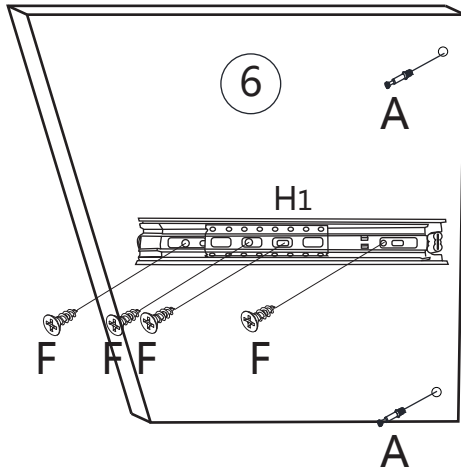
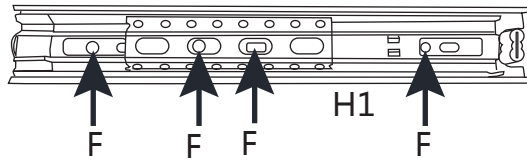
 AX6	 Ø6x30mm GX9	 DX1
--	---	--





STEP 2 X2



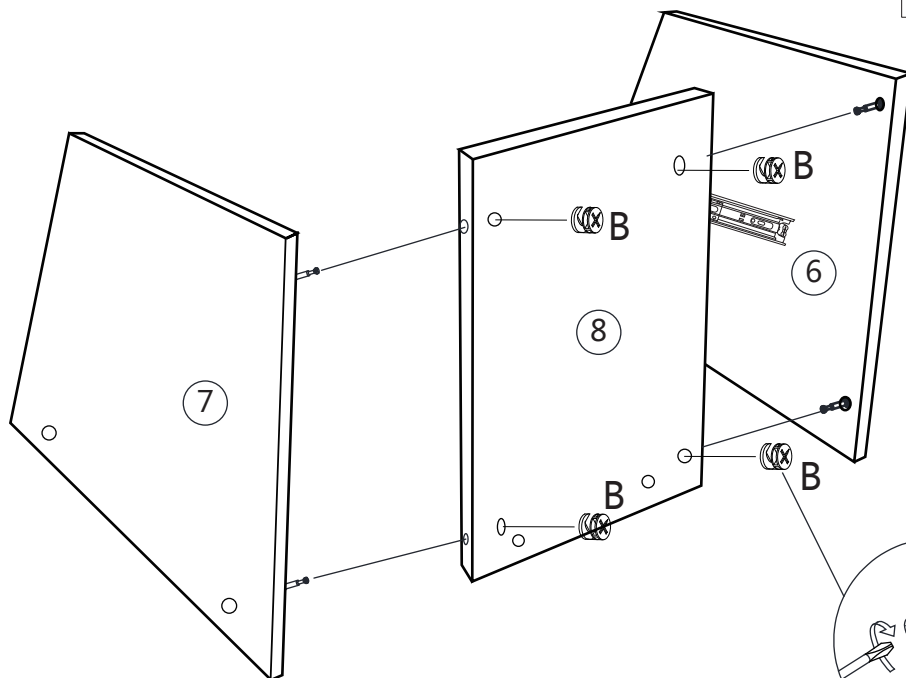
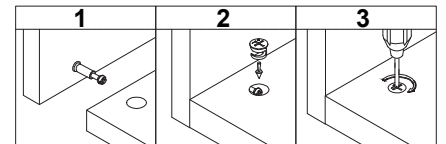
 HX2
--


STEP 3



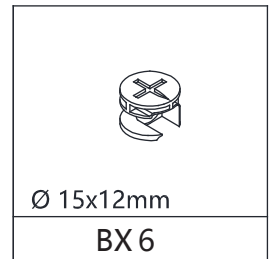
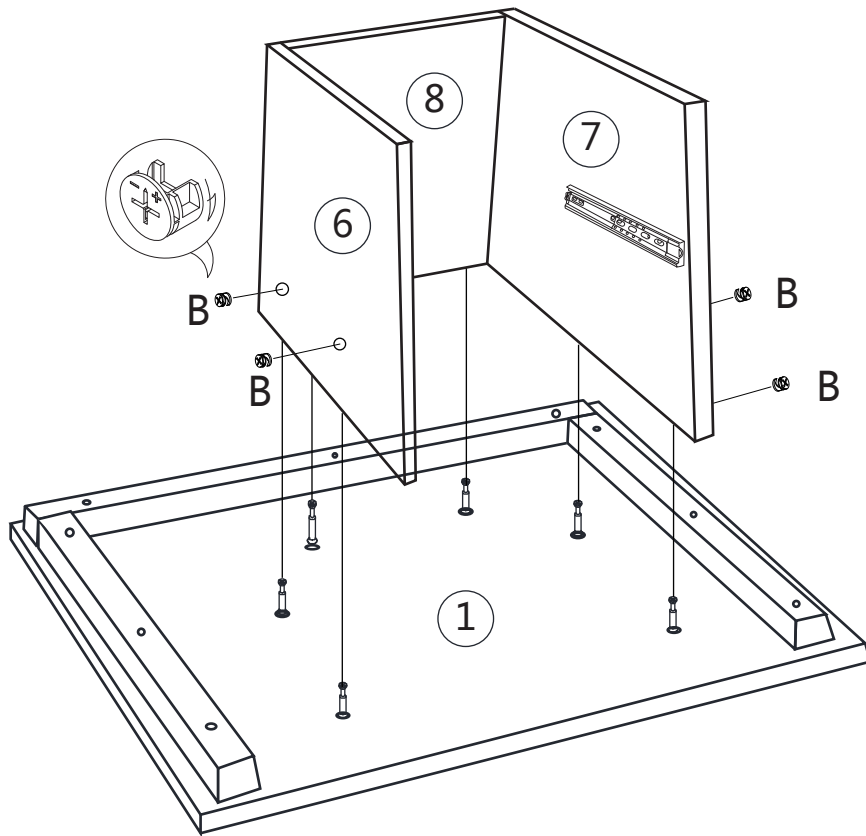
			
Ø 6x35mm		Ø3.5x12mm	
AX 4	EX1	FX8	HX 2

STEP 4

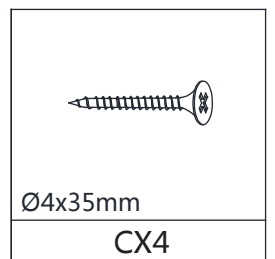
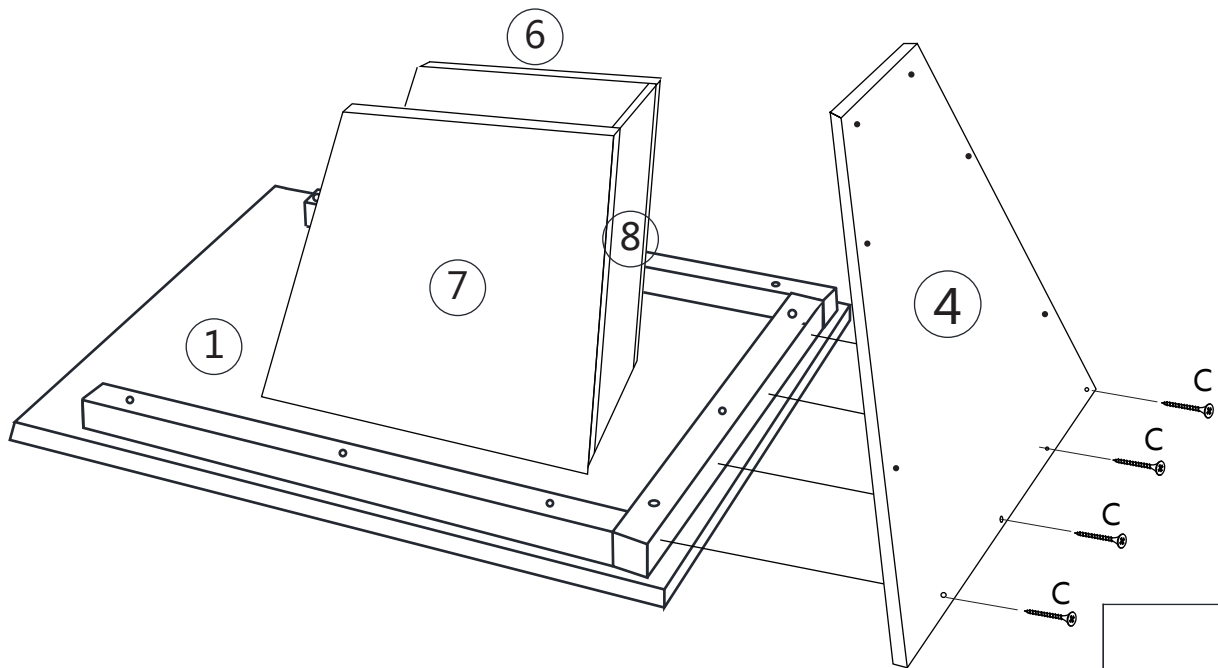



Ø 15x12mm
BX4

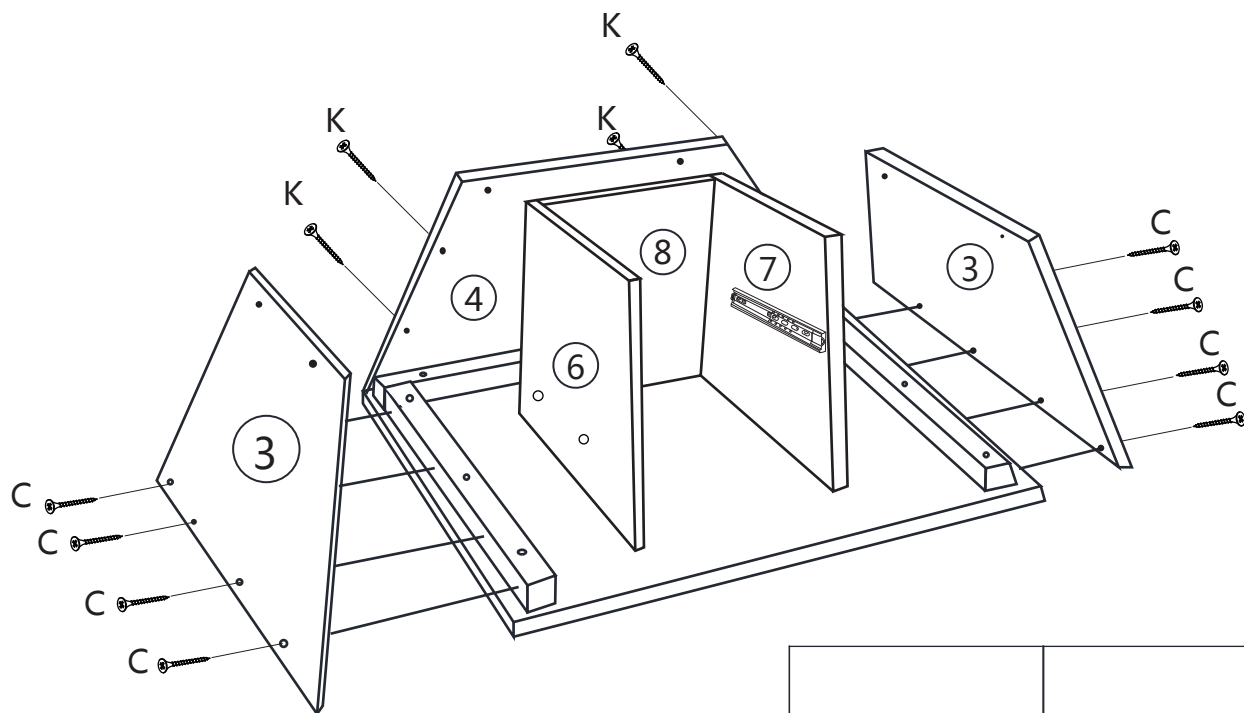
STEP 5


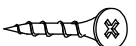


STEP 6

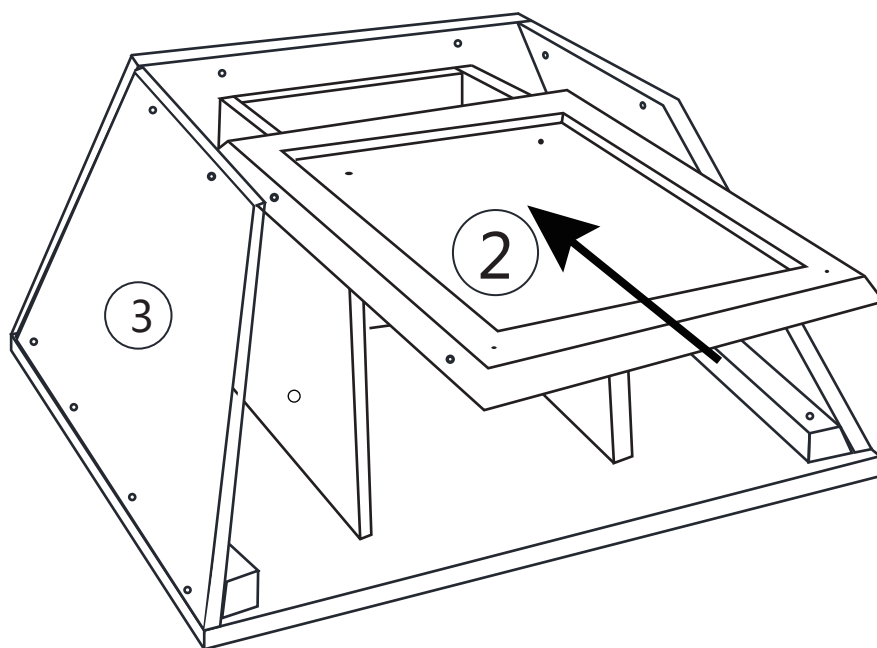


STEP 7

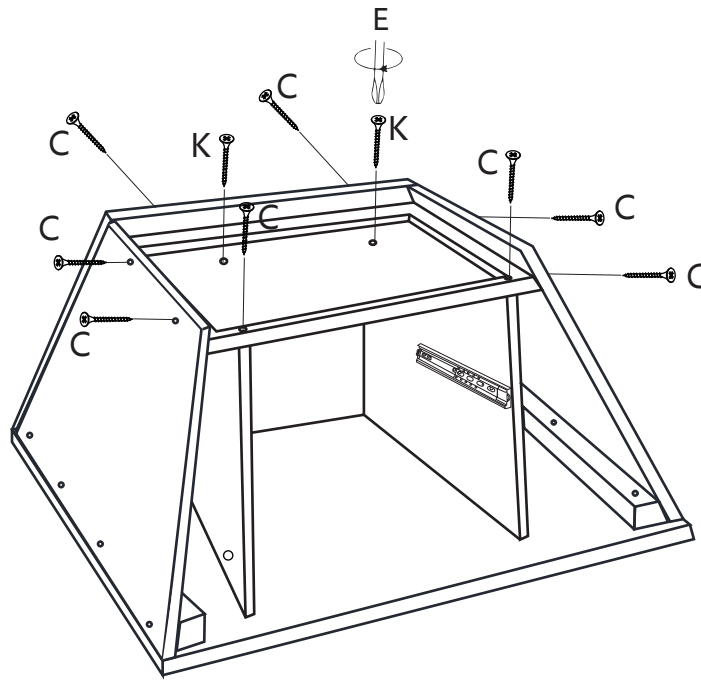




	
Ø4x35mm	Ø4x30mm
CX8	KX4

STEP 8

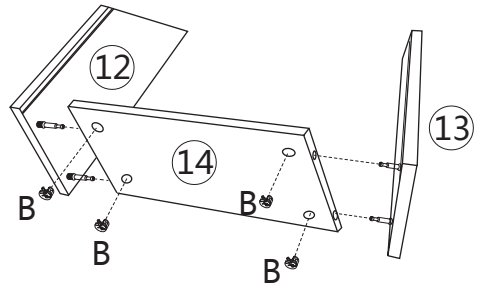
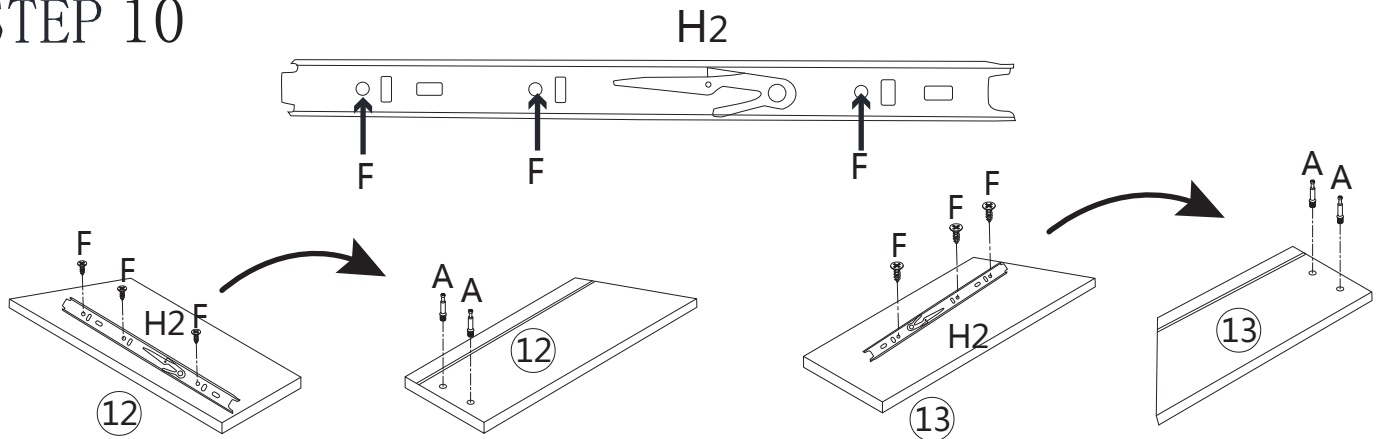






STEP 9



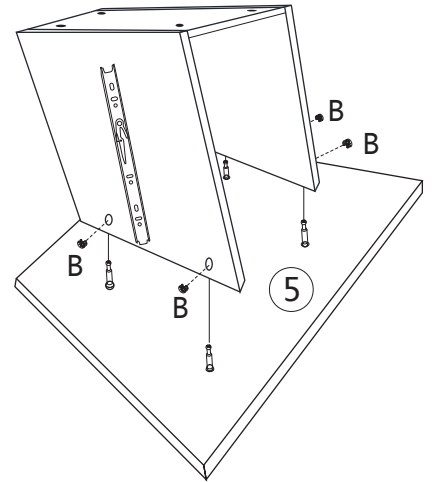
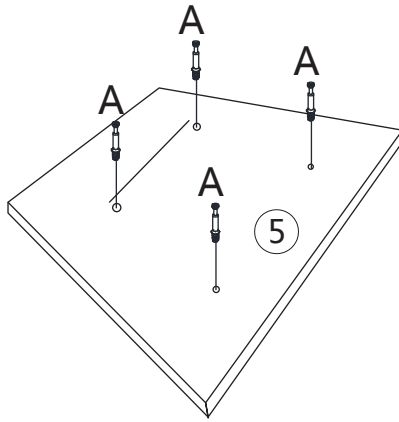
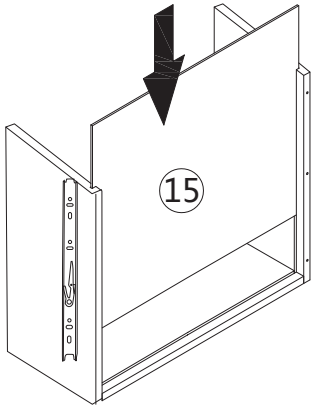
	
Ø4x35mm	Ø4x30mm
CX8	KX2



STEP 10



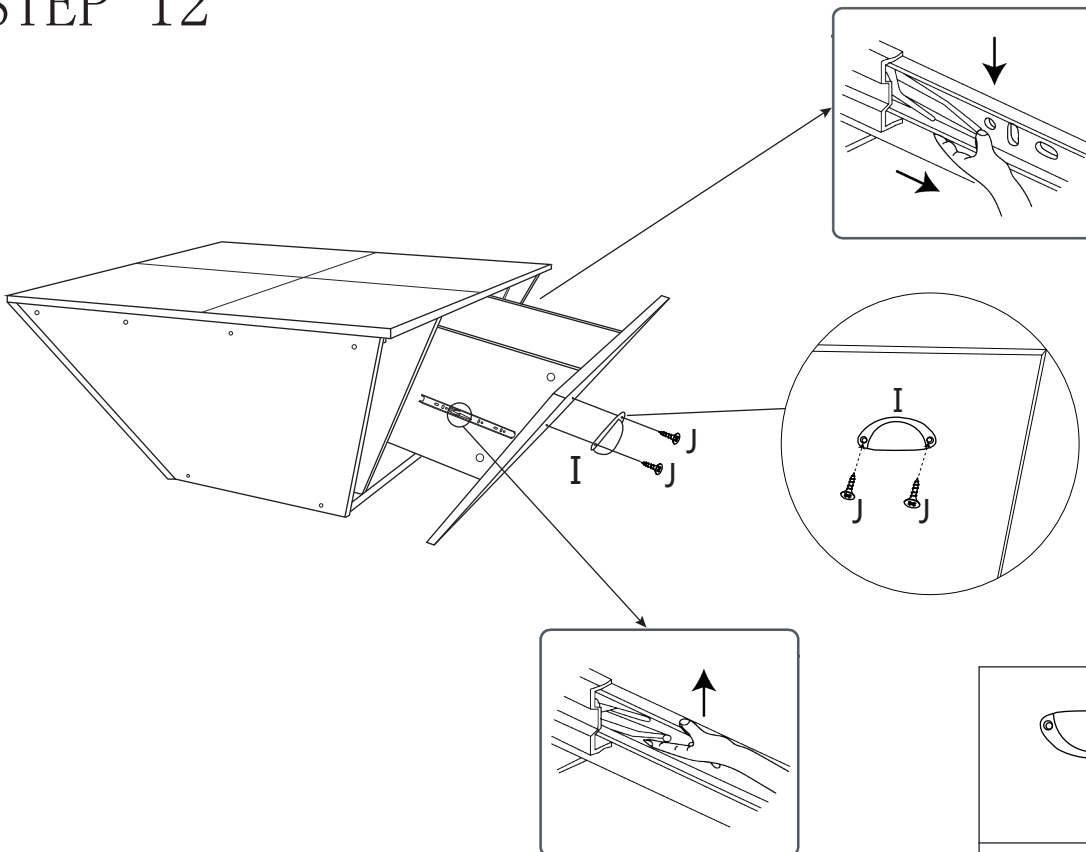
			
Ø6x35mm	Ø15x12mm		Ø3.5x12mm
AX4	BX4	HX2	FX6



STEP 11



	
Ø6x35mm	Ø15x12mm
AX4	BX4

STEP 12



	
	Ø4x16mm
IX1	JX2

STEP 13

