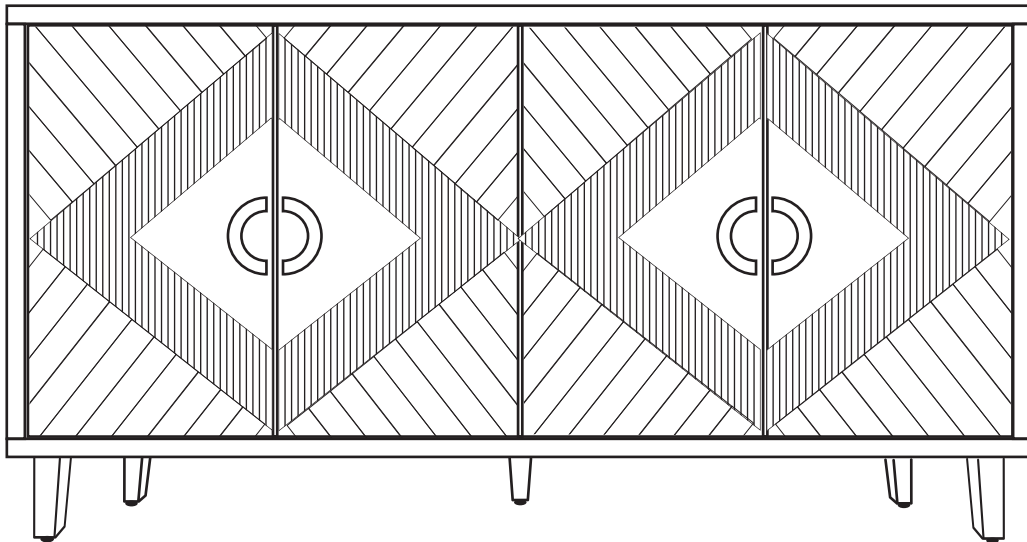
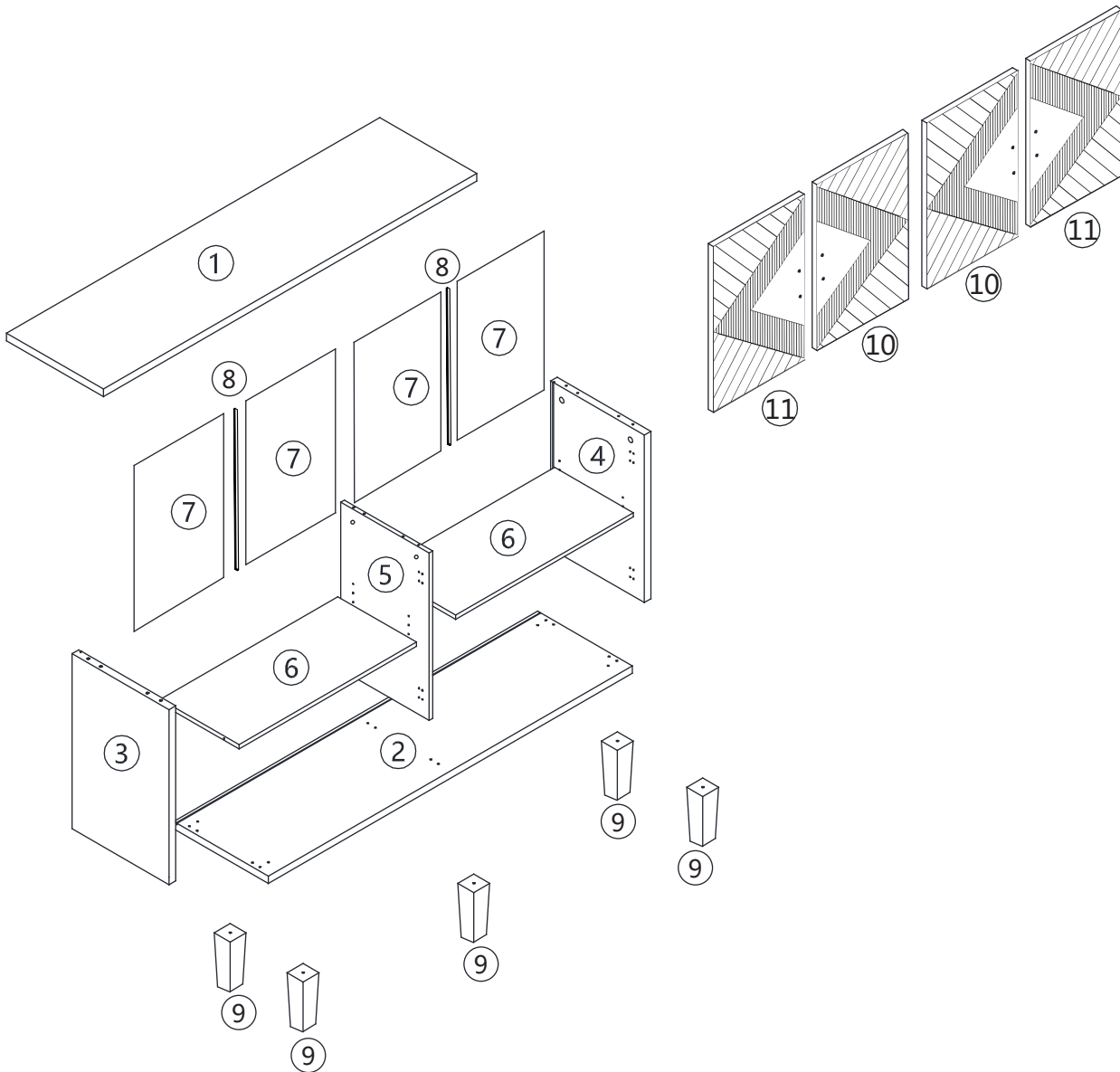
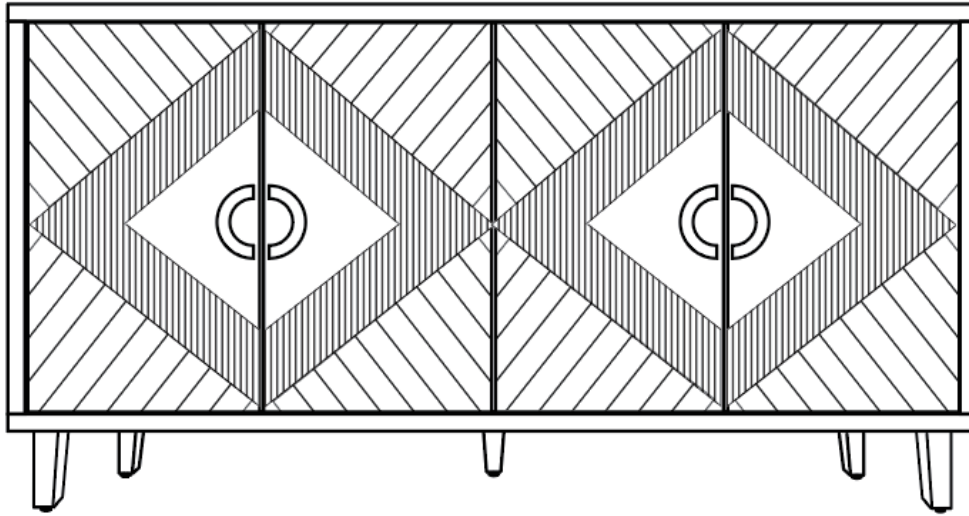





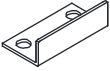




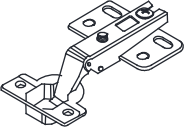
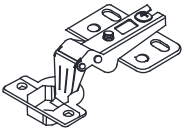



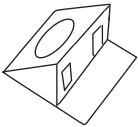


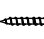

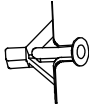
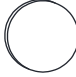


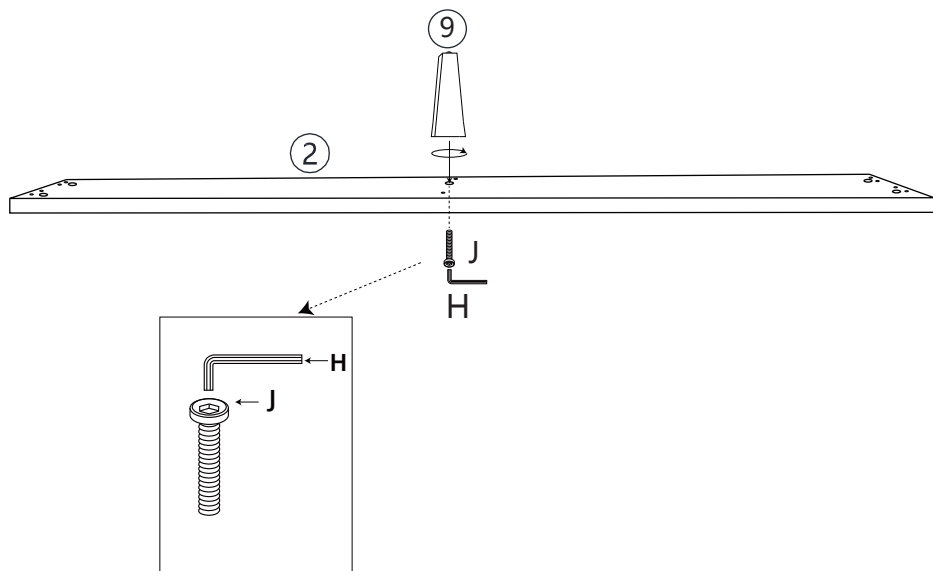
# ASSEMBLY INSTRUCTIONS


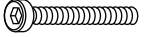




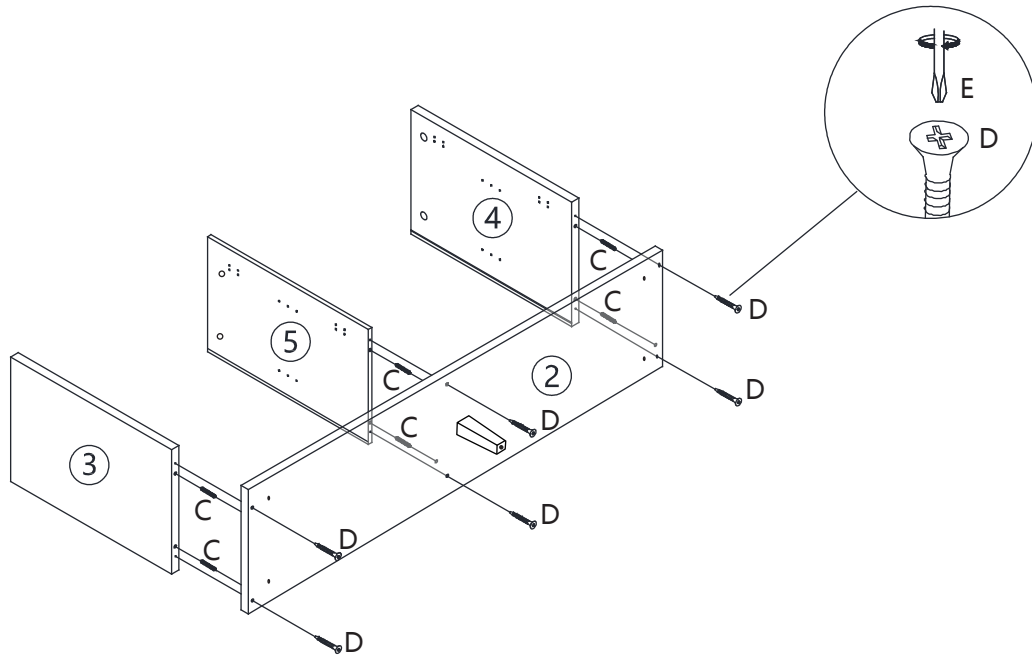
 Ø 6x35mm	 Ø 15x12mm	 Ø6x30mm	 Ø 5x60	
AX6	BX6	CX12	DX6	EX1
	 Ø3x14mm			 Ø8x35mm
FX2	GX12	HX1	IX8	JX5
		 Ø4x16mm		 Ø4x25mm
KX4	LX4	MX48	NX4	OX8
	 x2     Q <sub>1</sub> Q <sub>2</sub> Q <sub>3</sub> Q <sub>4</sub> Q <sub>5</sub>			
PX8	QX1		RX4	

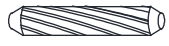


# STEP 1



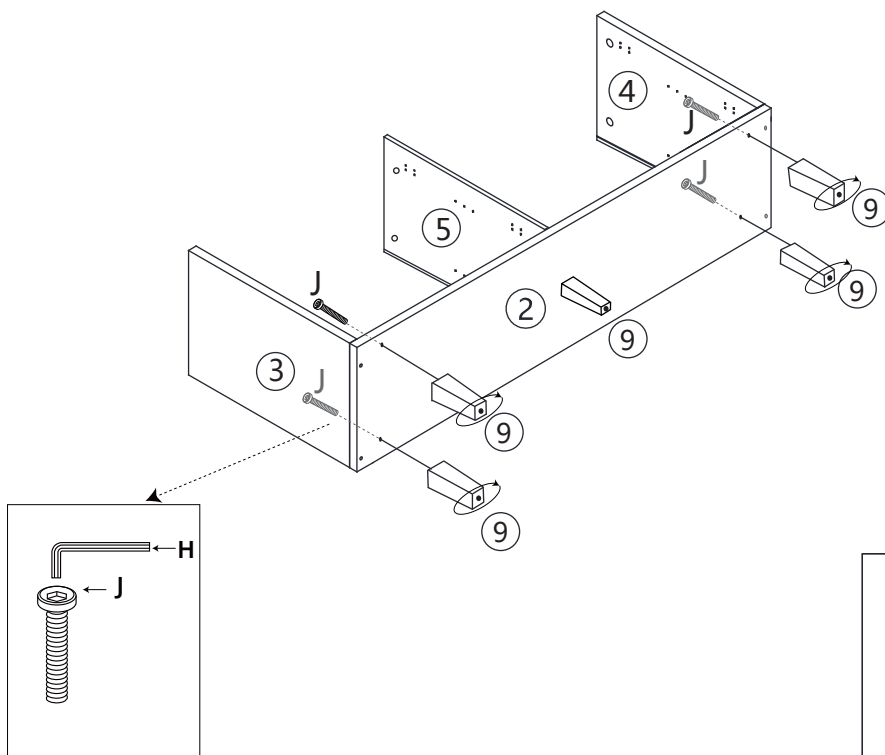
	
HX1	JX1



# STEP 2



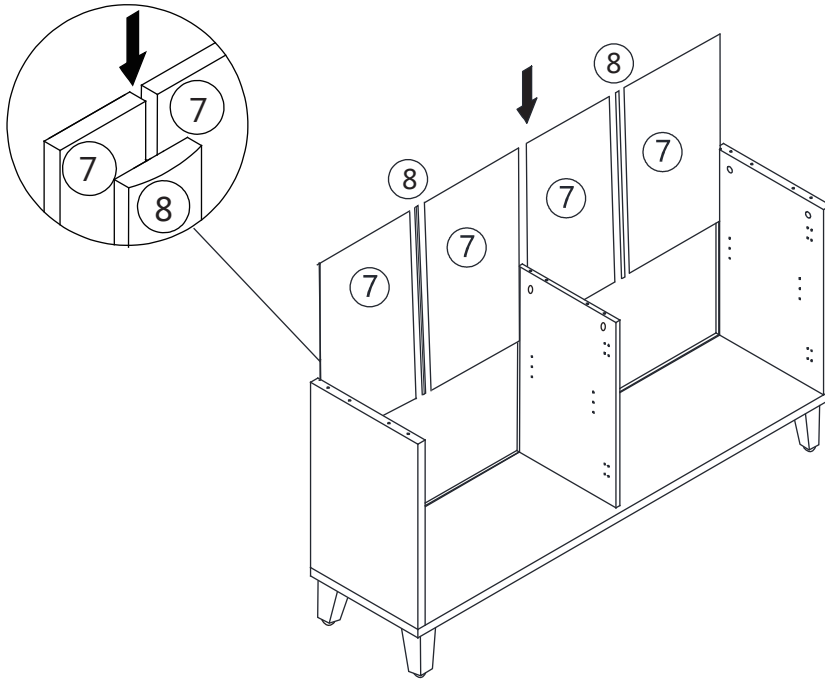
		
Ø6x30mm	Ø 5x60	
CX6	DX6	EX1

# STEP 3

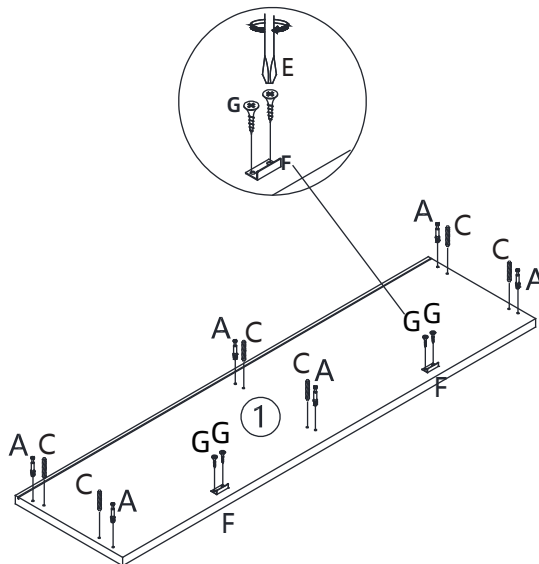





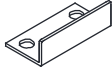

	
	Ø8x35mm
HX1	JX4

# STEP 4

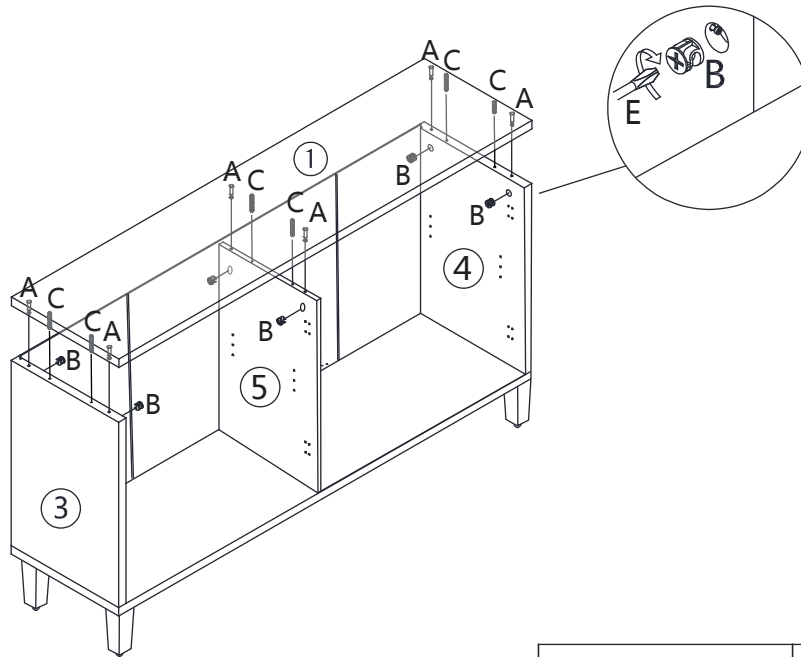




# STEP 5



				
Ø 6x35mm	Ø6x30mm			Ø 3 x14mm
AX6	CX6	EX1	FX2	GX4

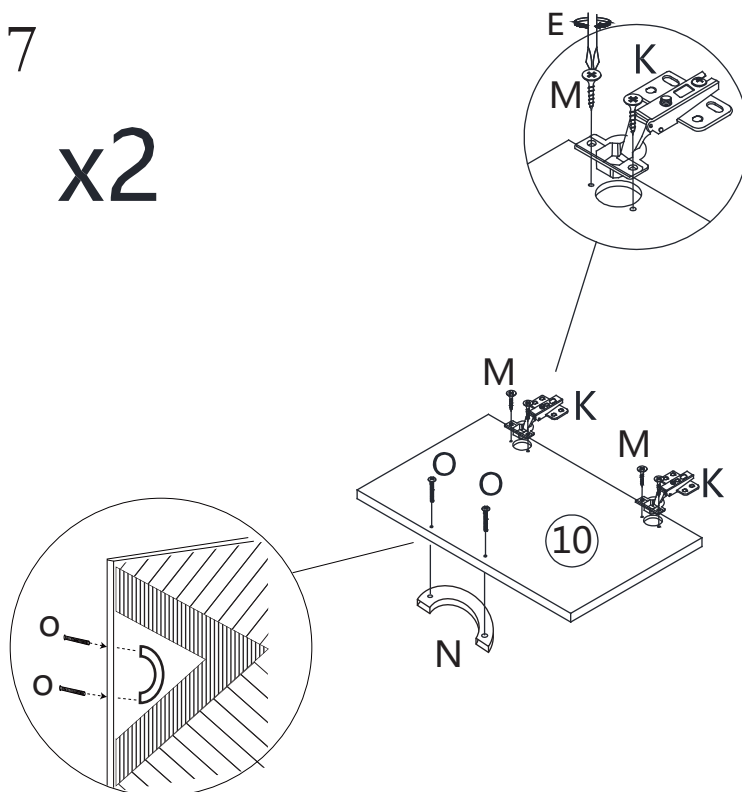
# STEP 6

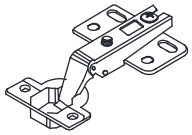





	
Ø 15x12mm	
BX6	EX1

# STEP 7

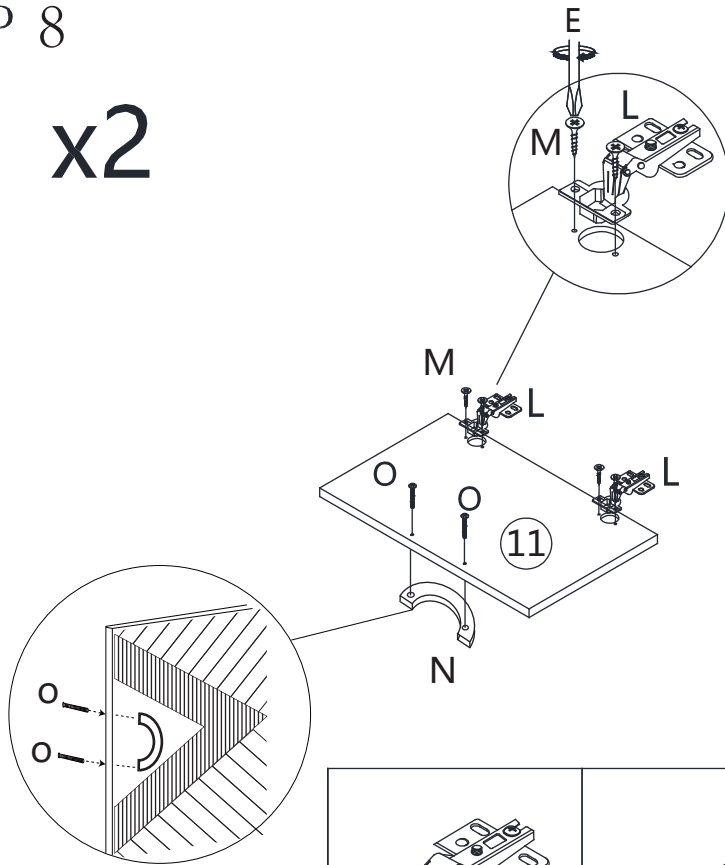
x2



			
	Ø 4x16mm		Ø4x25mm
KX4	MX8	NX2	OX4

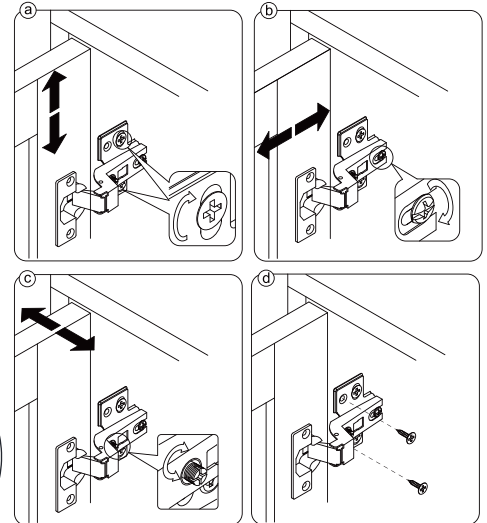
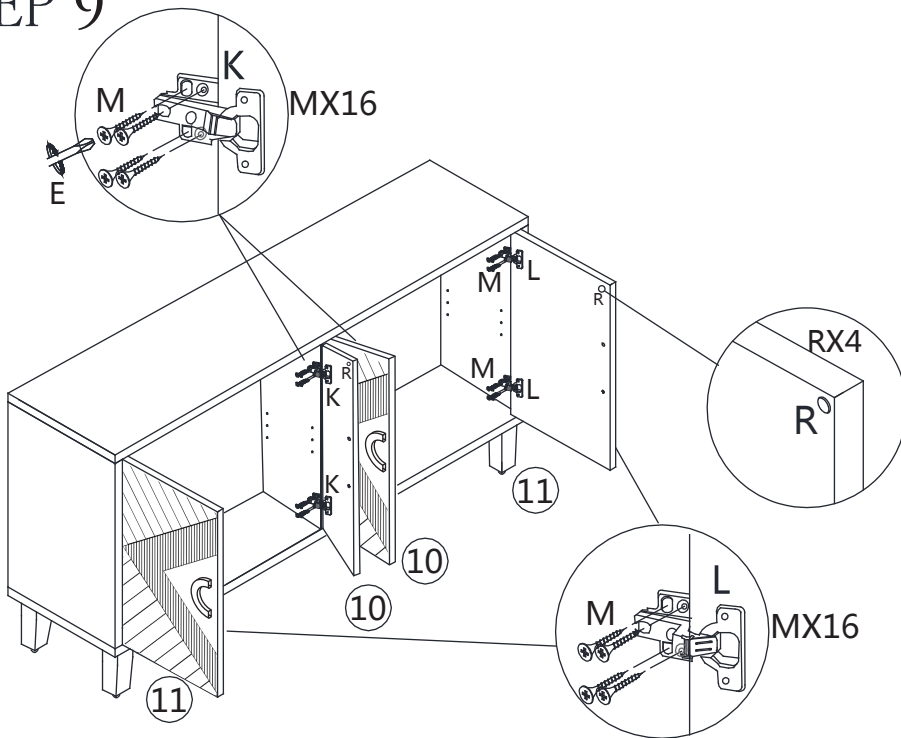
# STEP 8

x2



LX4	Ø 4x16mm MX8	NX2	Ø4x25mm OX4

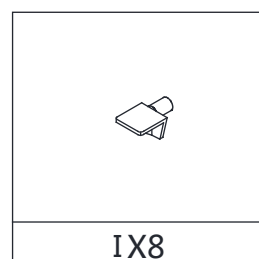
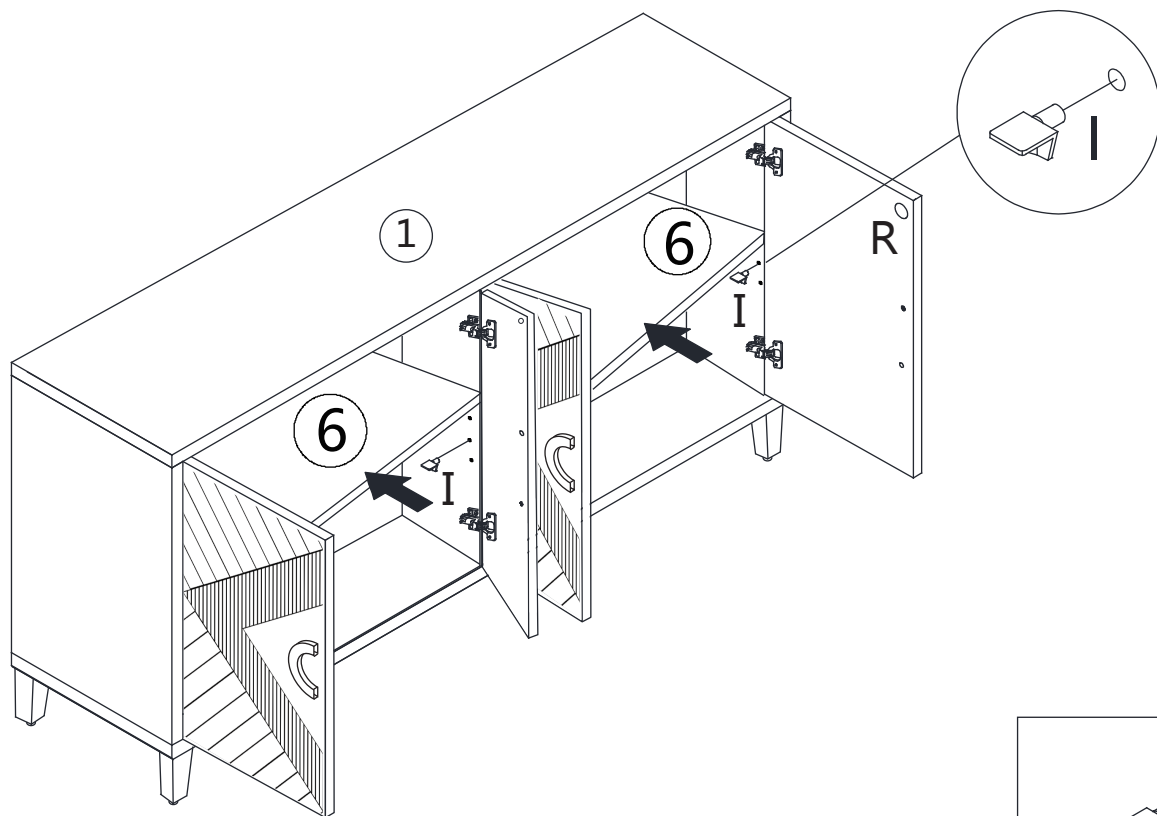
# STEP 9



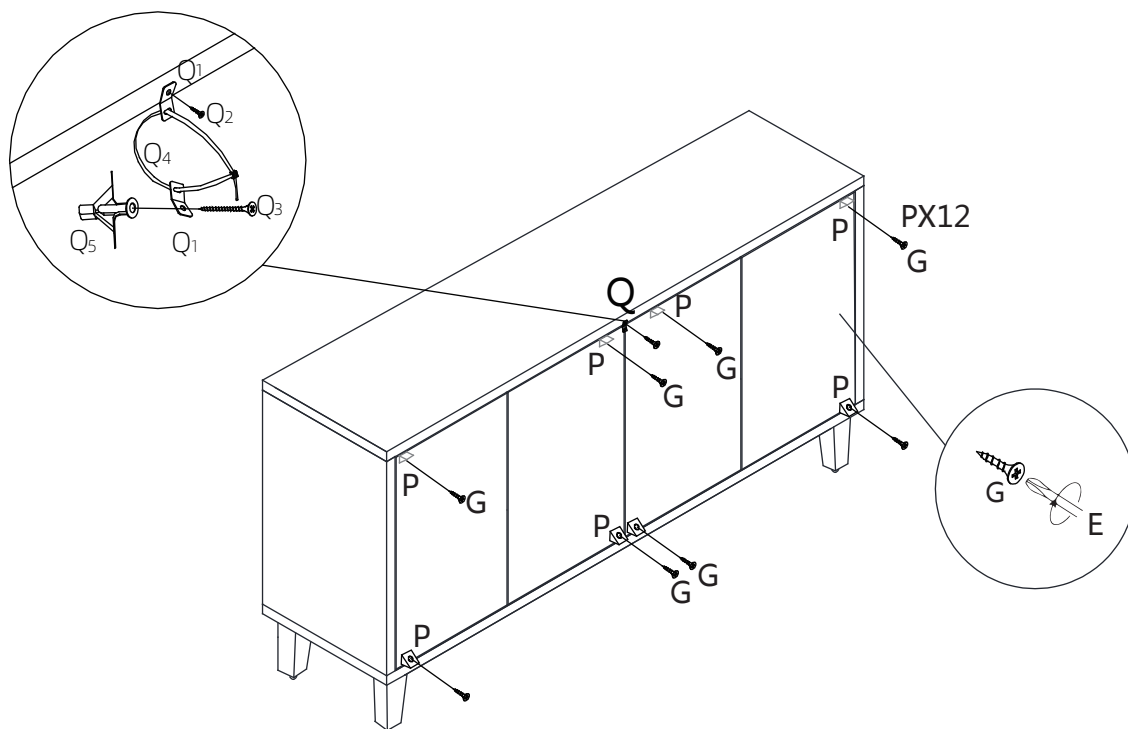
NOTE: If the doors are uneven or there is a gap in the middle, loosen or tighten the screw on the door hinge until they are sitting flush.



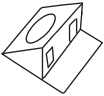


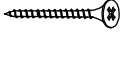
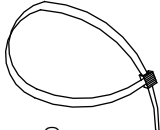
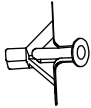
Ø4x16mm MX32	RX4

# STEP 10



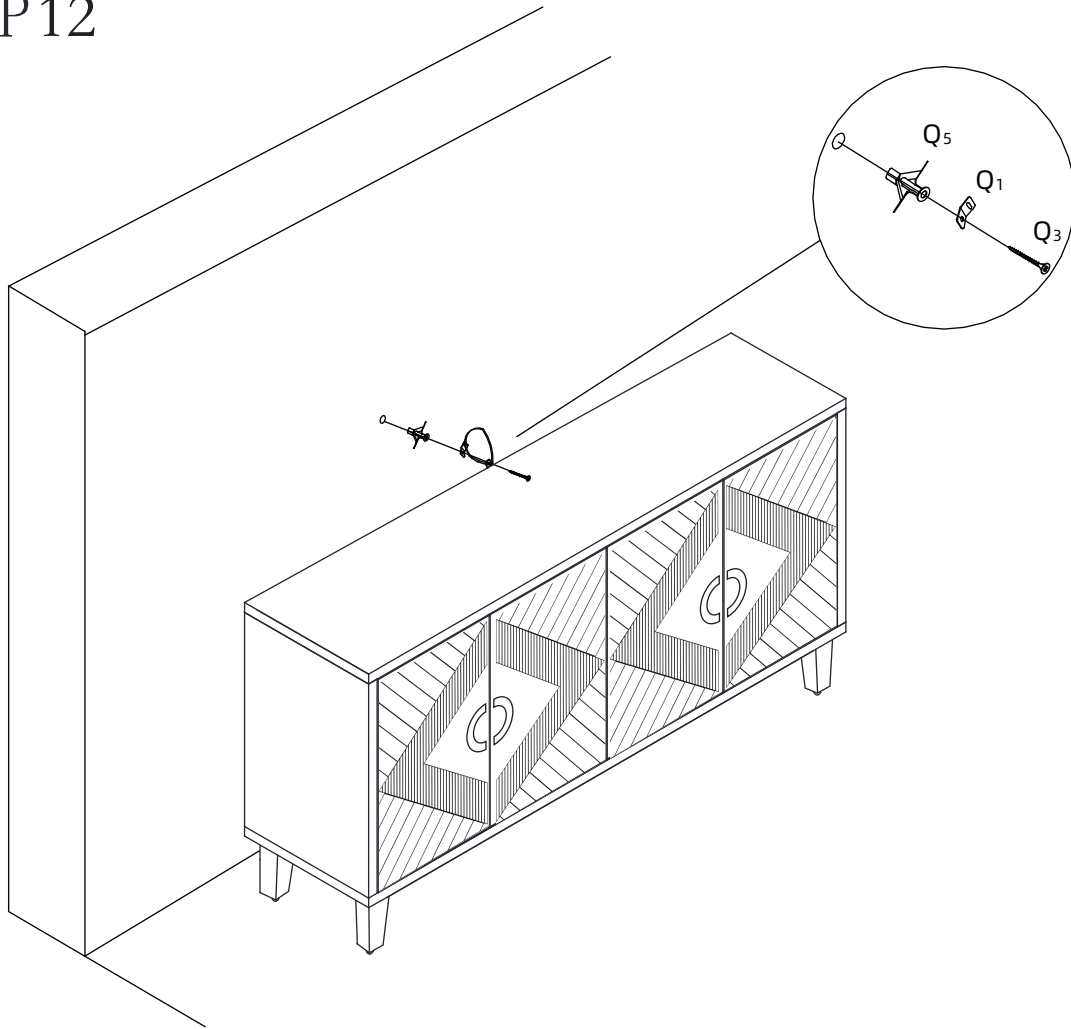
# STEP 11



	 Ø3x14mm		 X2				
EX1	GX8	PX8	QX1				



# STEP 12

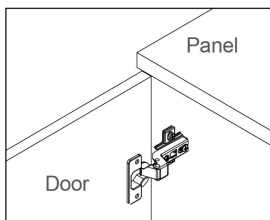


## Assembly Steps(EN) / Montageschritte(DE)

HOW TO ADJUST THE HINGES TO ALIGN THE DOORS IF NEEDED.

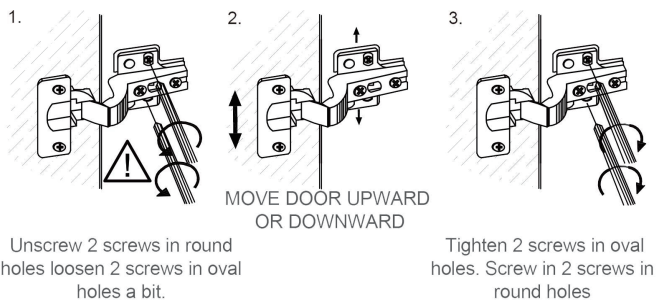
### STEP 1

Open the door.



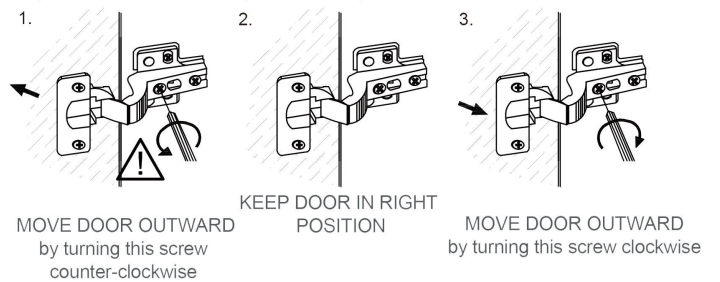
### STEP 2

Adjust the door panels up or downward



### STEP 3

Adjust the flush between door panel and side panel



### STEP 4

Adjust the Gap between door panel and side panel

