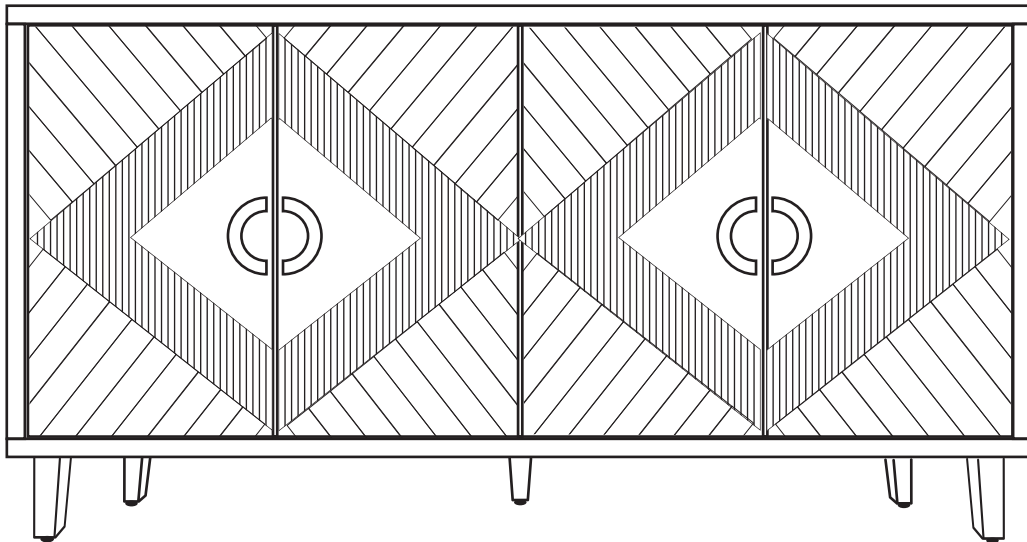
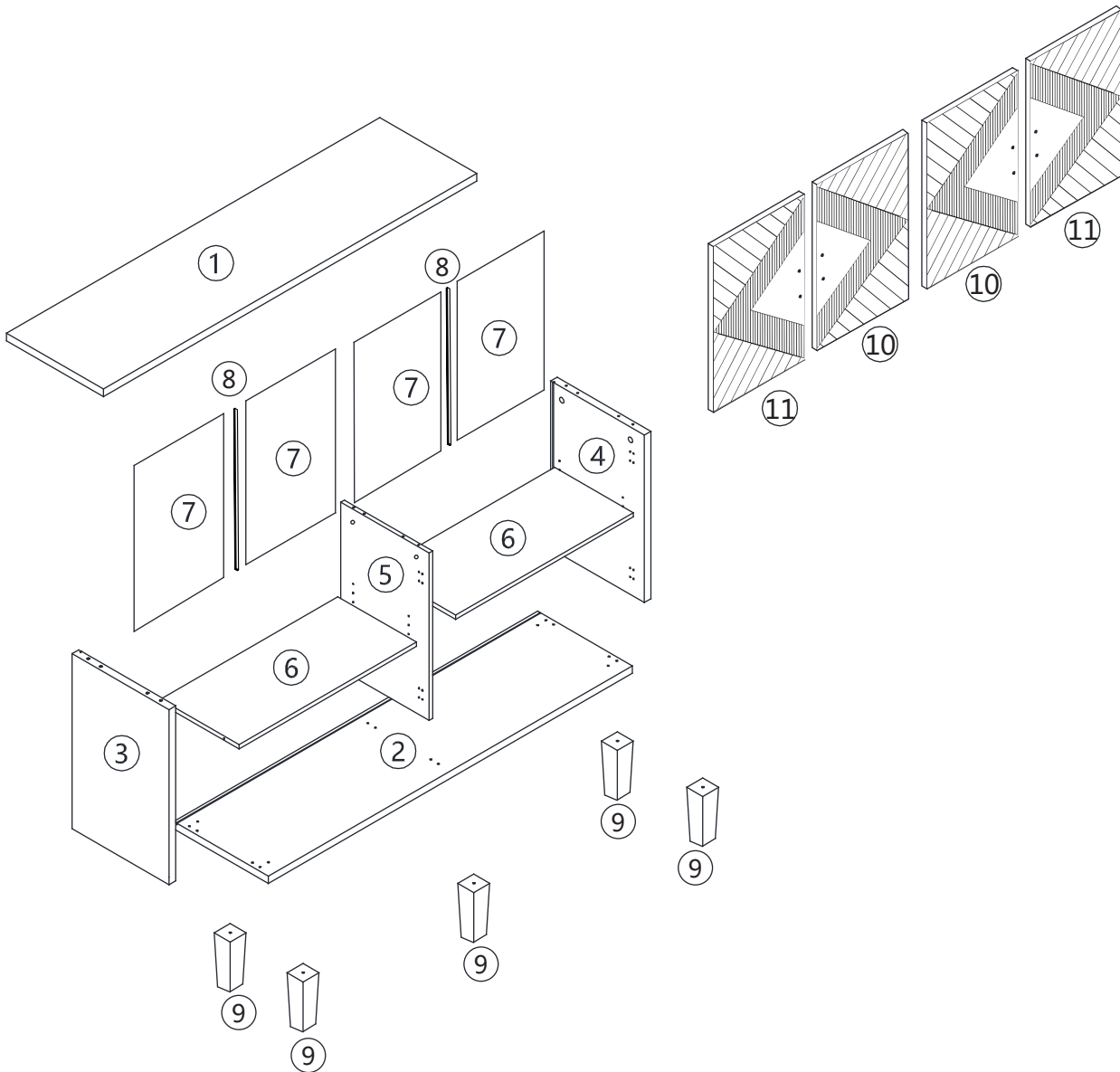
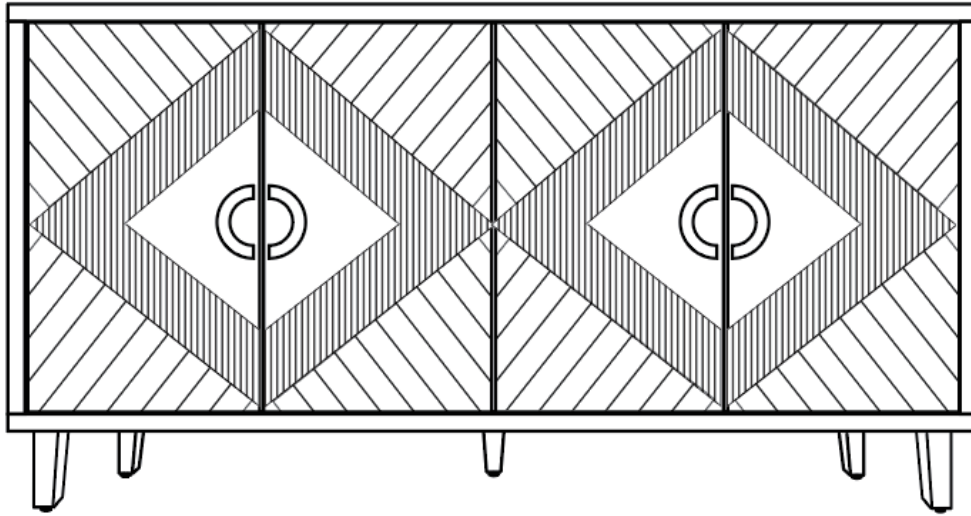





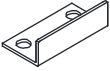




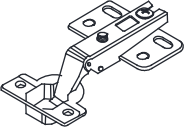
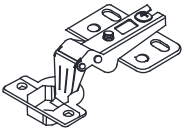



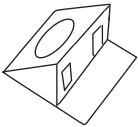


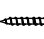

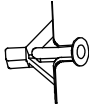
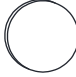


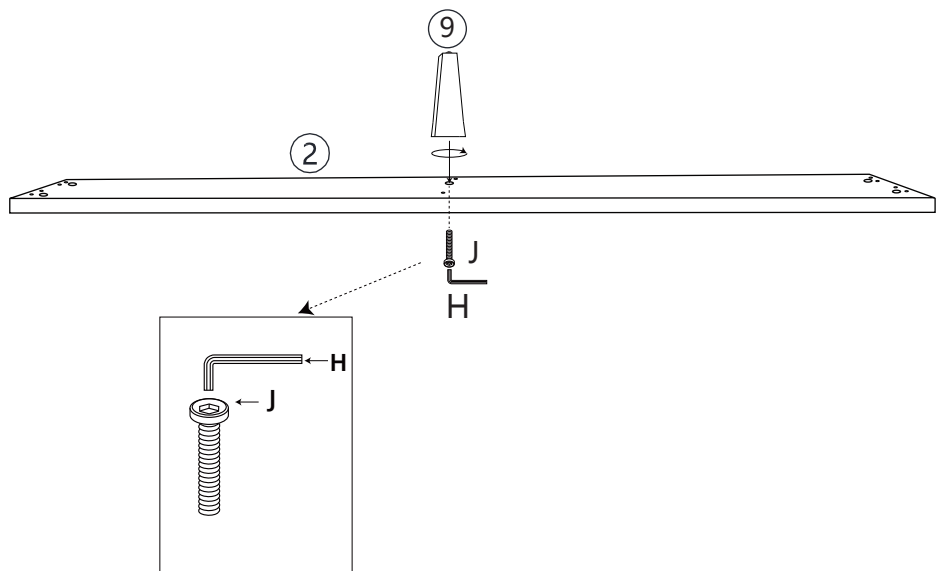
ASSEMBLY INSTRUCTIONS







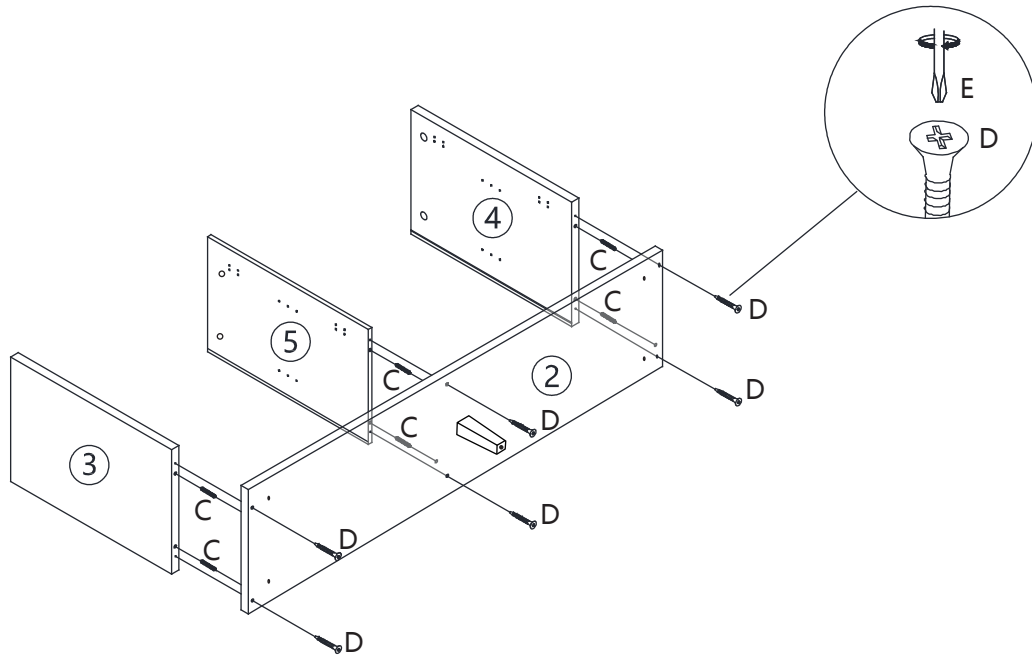
 Ø 6x35mm	 Ø 15x12mm	 Ø6x30mm	 Ø 5x60	
AX6	BX6	CX12	DX6	EX1
	 Ø3x14mm			 Ø8x35mm
FX2	GX12	HX1	IX8	JX5
		 Ø4x16mm		 Ø4x25mm
KX4	LX4	MX48	NX4	OX8
	 x2     Q ₁ Q ₂ Q ₃ Q ₄ Q ₅			
PX8	QX1		RX4	

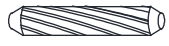


STEP 1



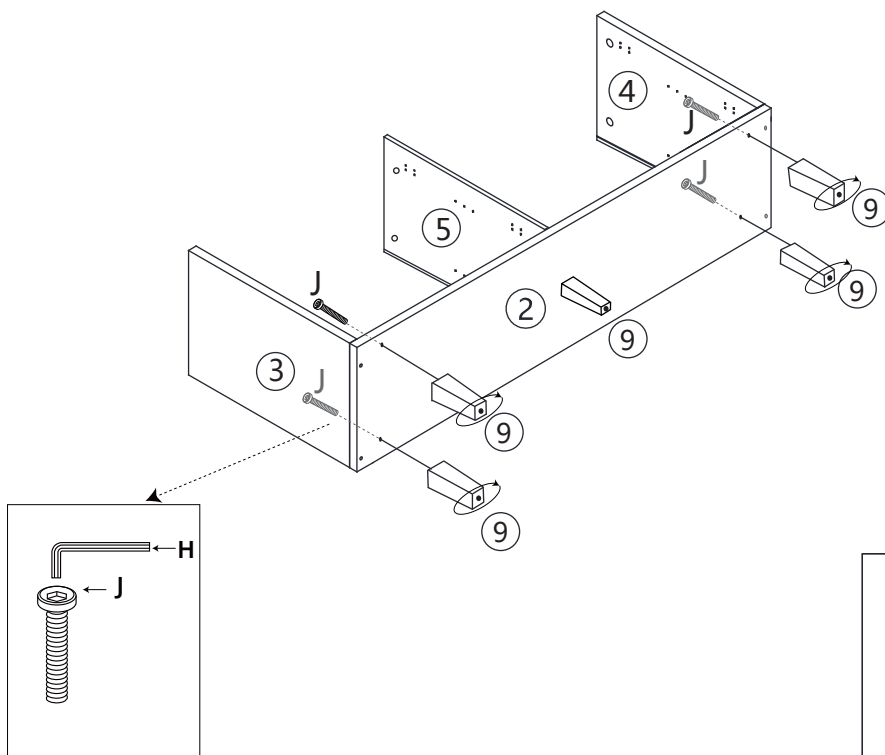
	
HX1	JX1



STEP 2



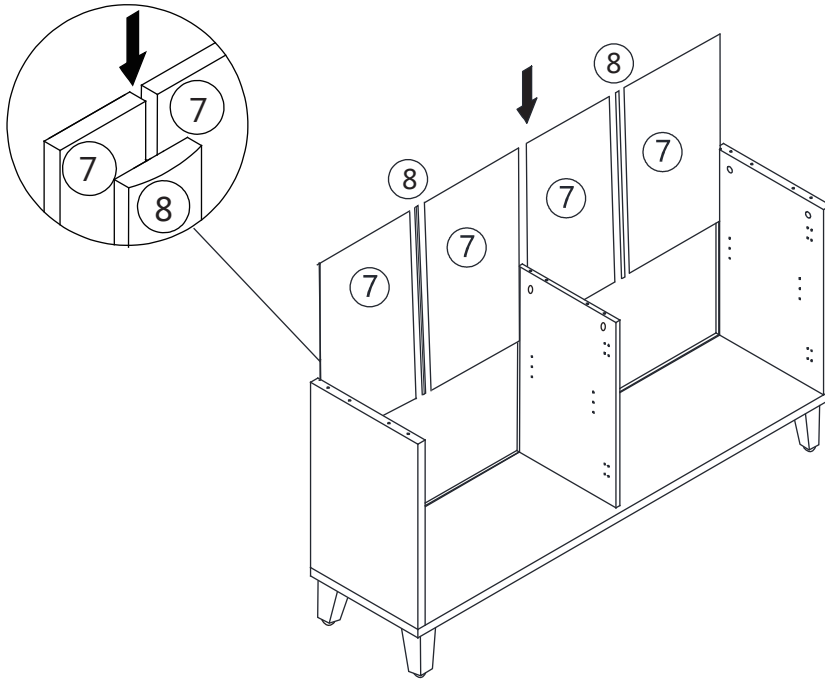
		
Ø6x30mm	Ø 5x60	
CX6	DX6	EX1

STEP 3

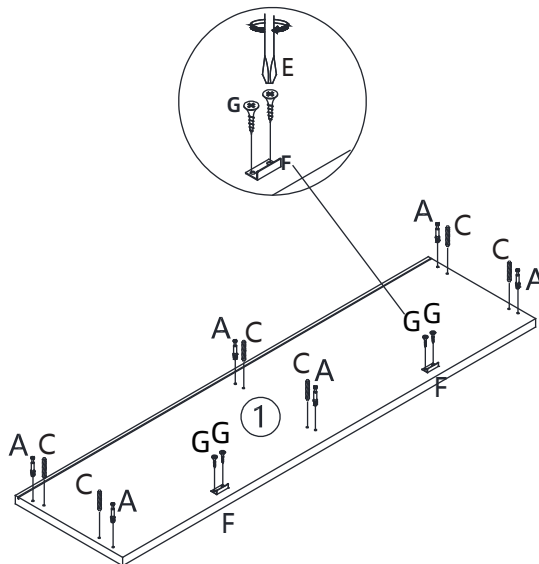





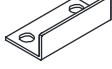

	
	Ø8x35mm
HX1	JX4

STEP 4

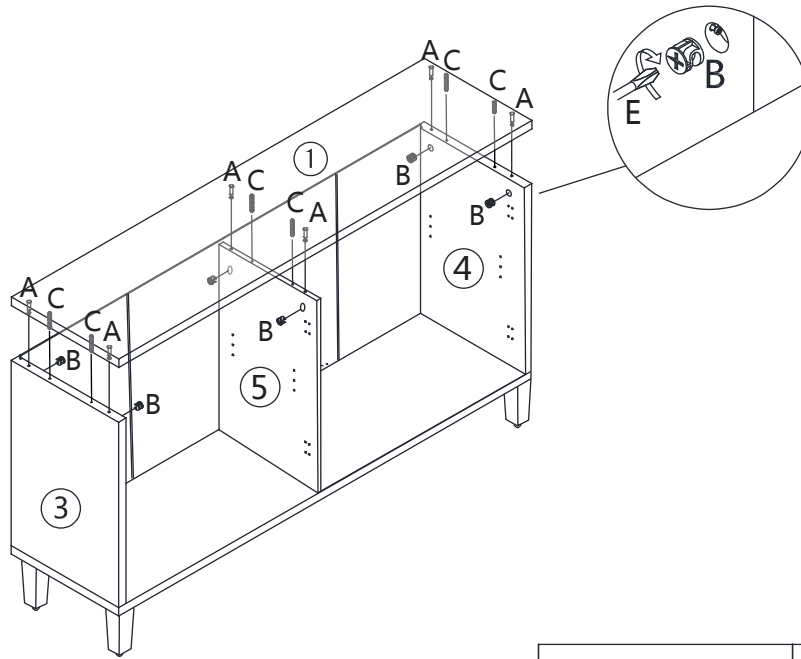




STEP 5



				
Ø 6x35mm	Ø6x30mm			Ø 3x14mm
AX6	CX6	EX1	FX2	GX4

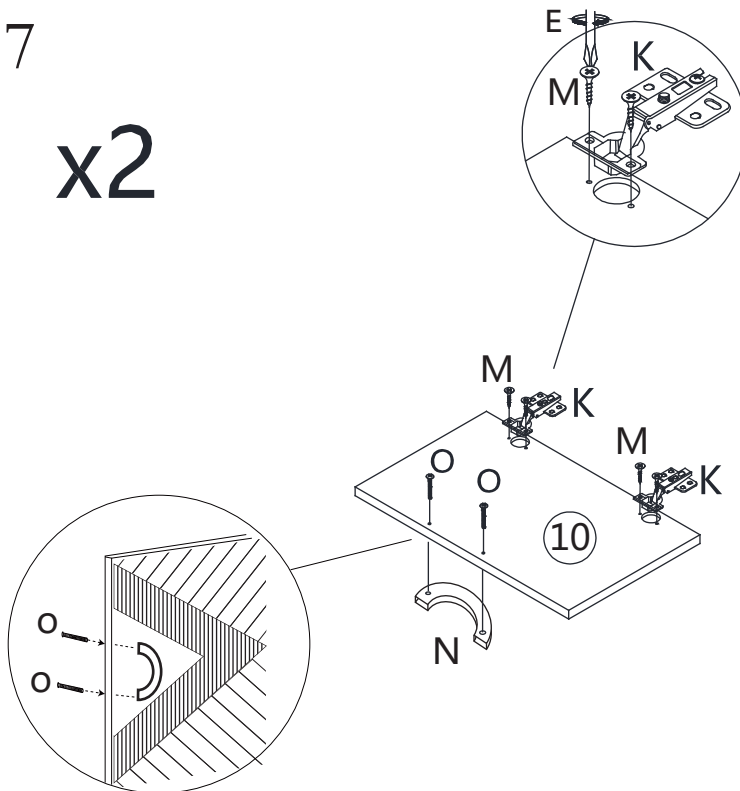
STEP 6

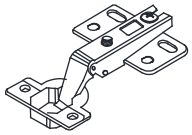





	
Ø 15x12mm	
BX6	EX1

STEP 7

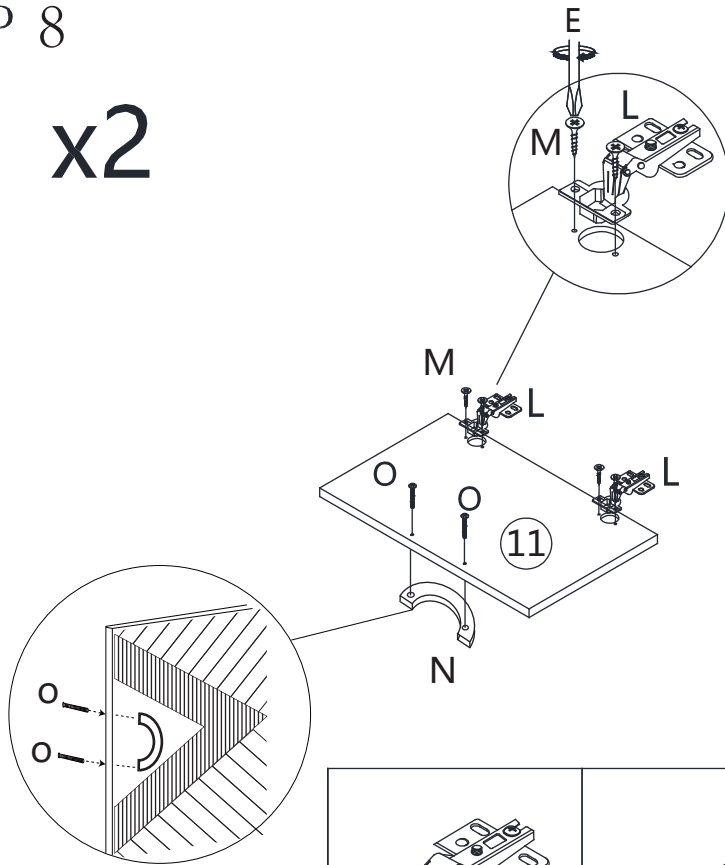
x2



			
	Ø 4x16mm		Ø4x25mm
KX4	MX8	NX2	OX4

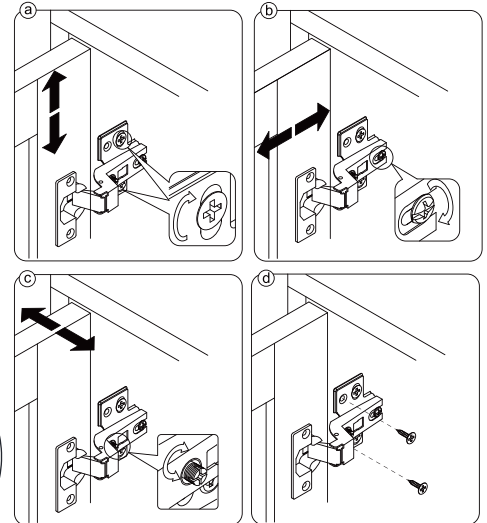
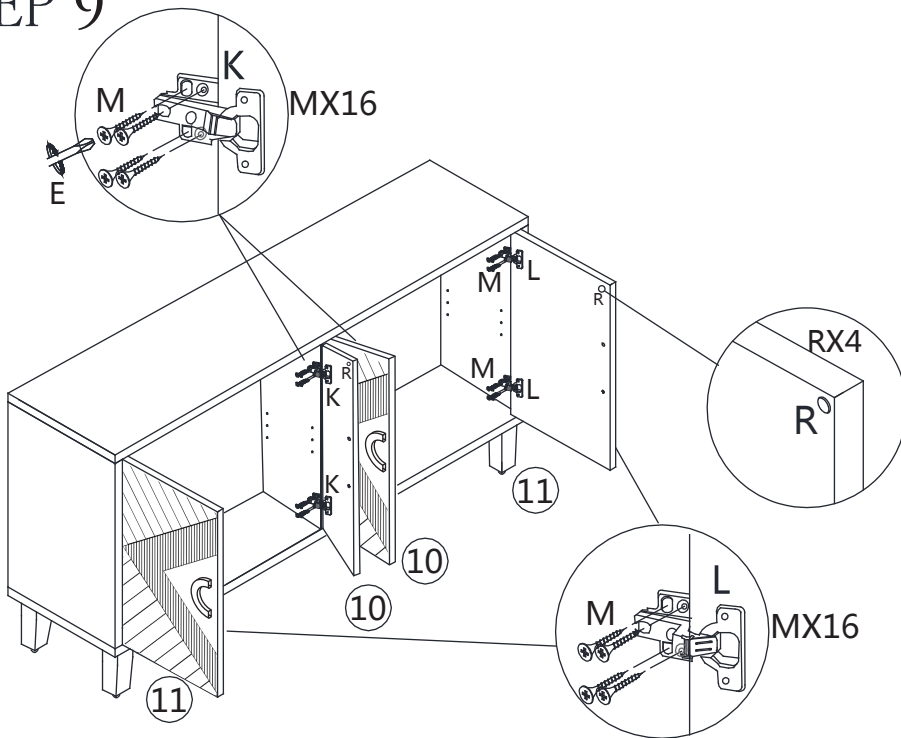
STEP 8

x2



LX4	Ø 4x16mm MX8	NX2	Ø4x25mm OX4

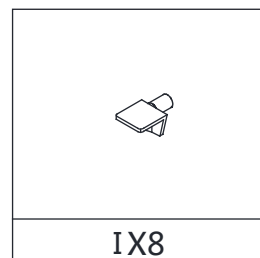
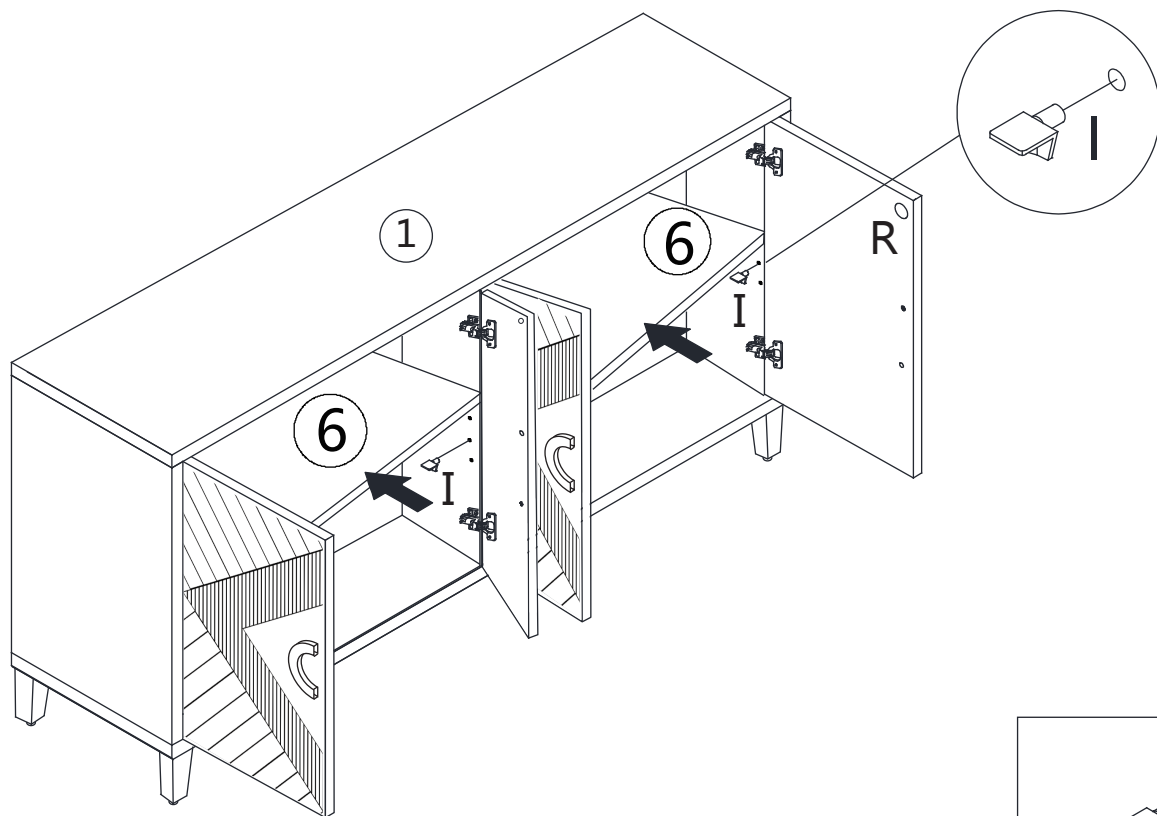
STEP 9



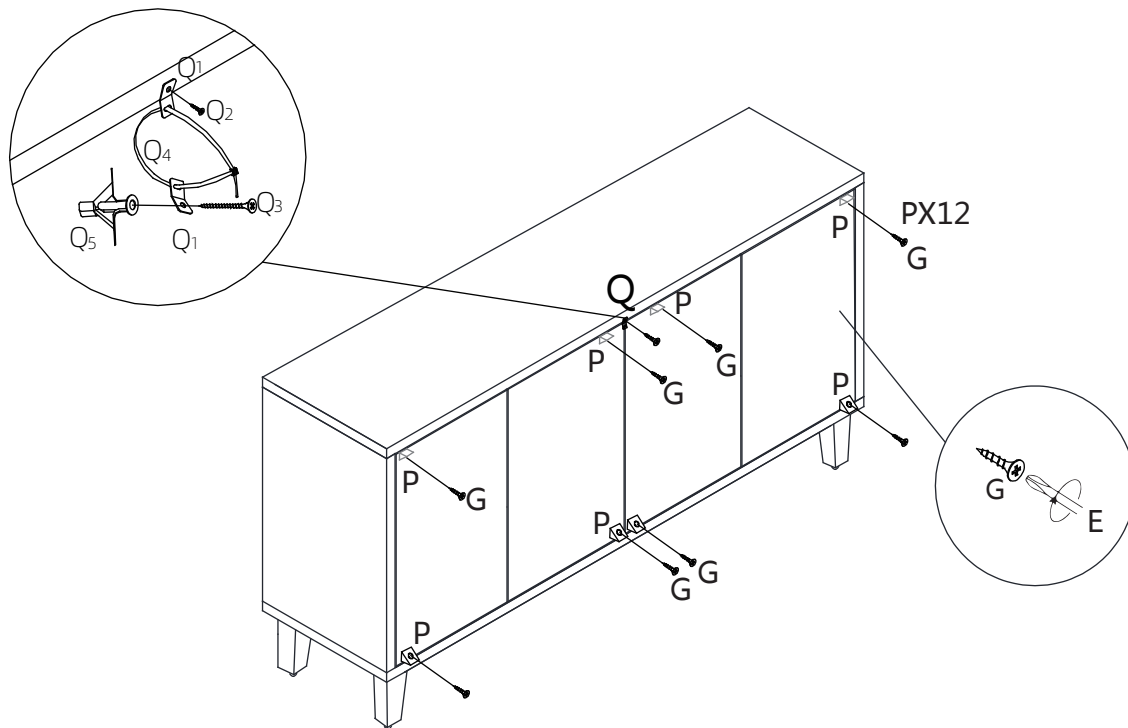
NOTE: If the doors are uneven or there is a gap in the middle, loosen or tighten the screw on the door hinge until they are sitting flush.



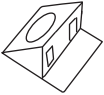

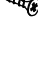
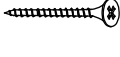
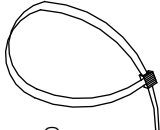
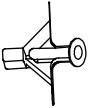
Ø4x16mm MX32	RX4

STEP 10

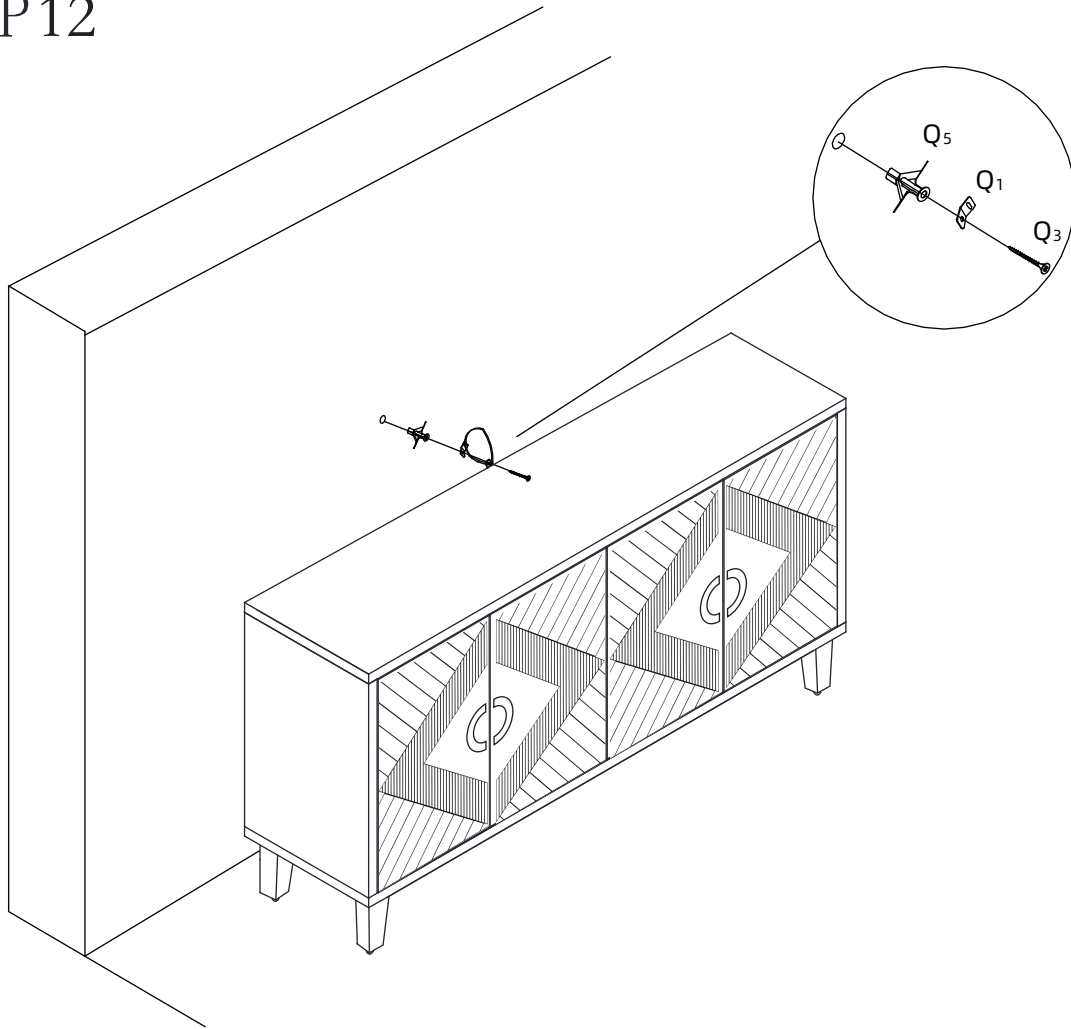


STEP 11



	 Ø3x14mm		 X2				
EX1	GX8	PX8	Q1	Q2	Q3	Q4	Q5
			QX1				

STEP 12

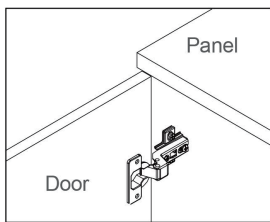


Assembly Steps(EN) / Montageschritte(DE)

HOW TO ADJUST THE HINGES TO ALIGN THE DOORS IF NEEDED.

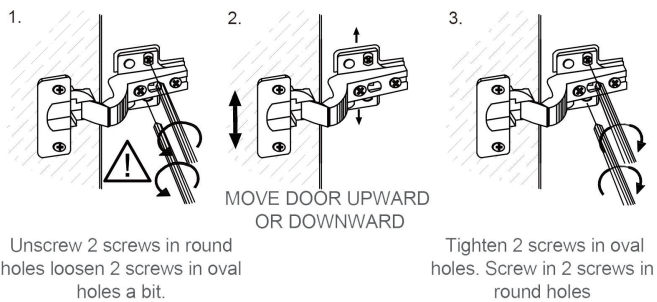
STEP 1

Open the door.



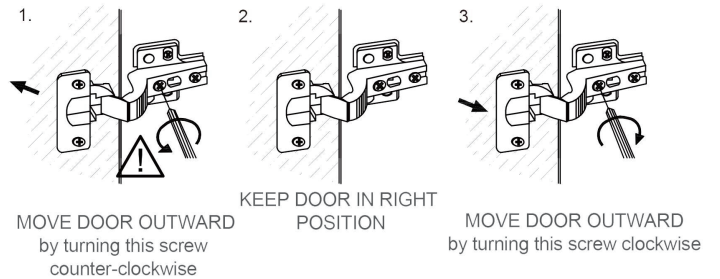
STEP 2

Adjust the door panels up or downward



STEP 3

Adjust the flush between door panel and side panel



STEP 4

Adjust the Gap between door panel and side panel

