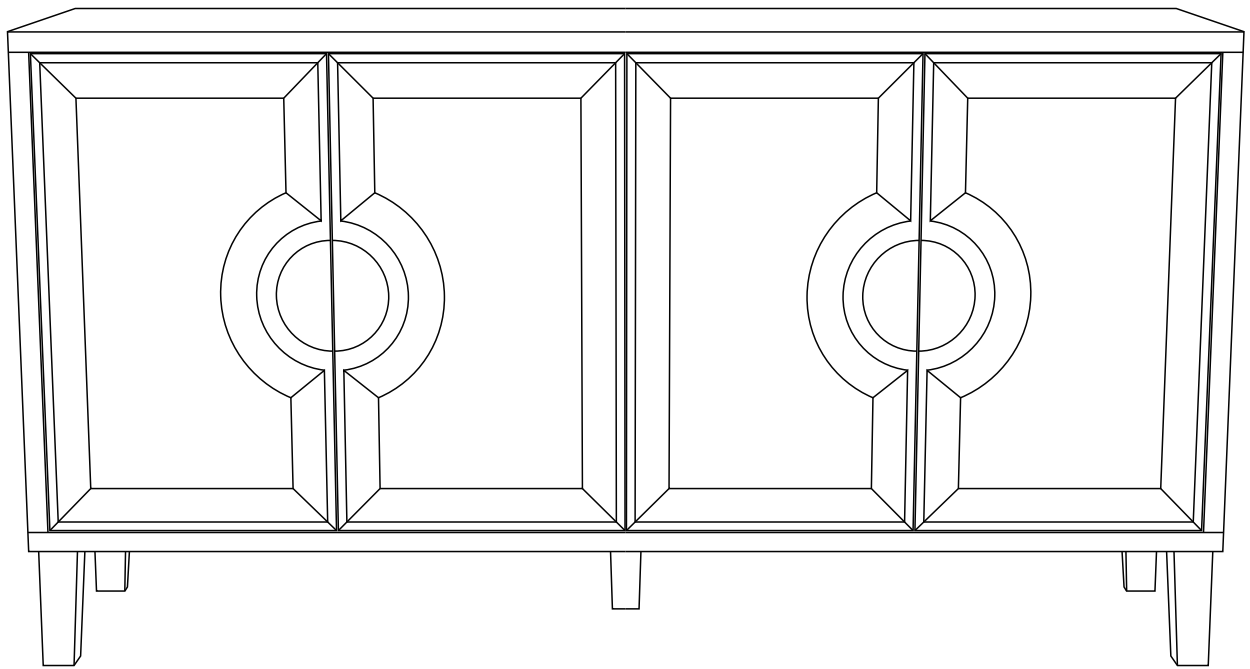
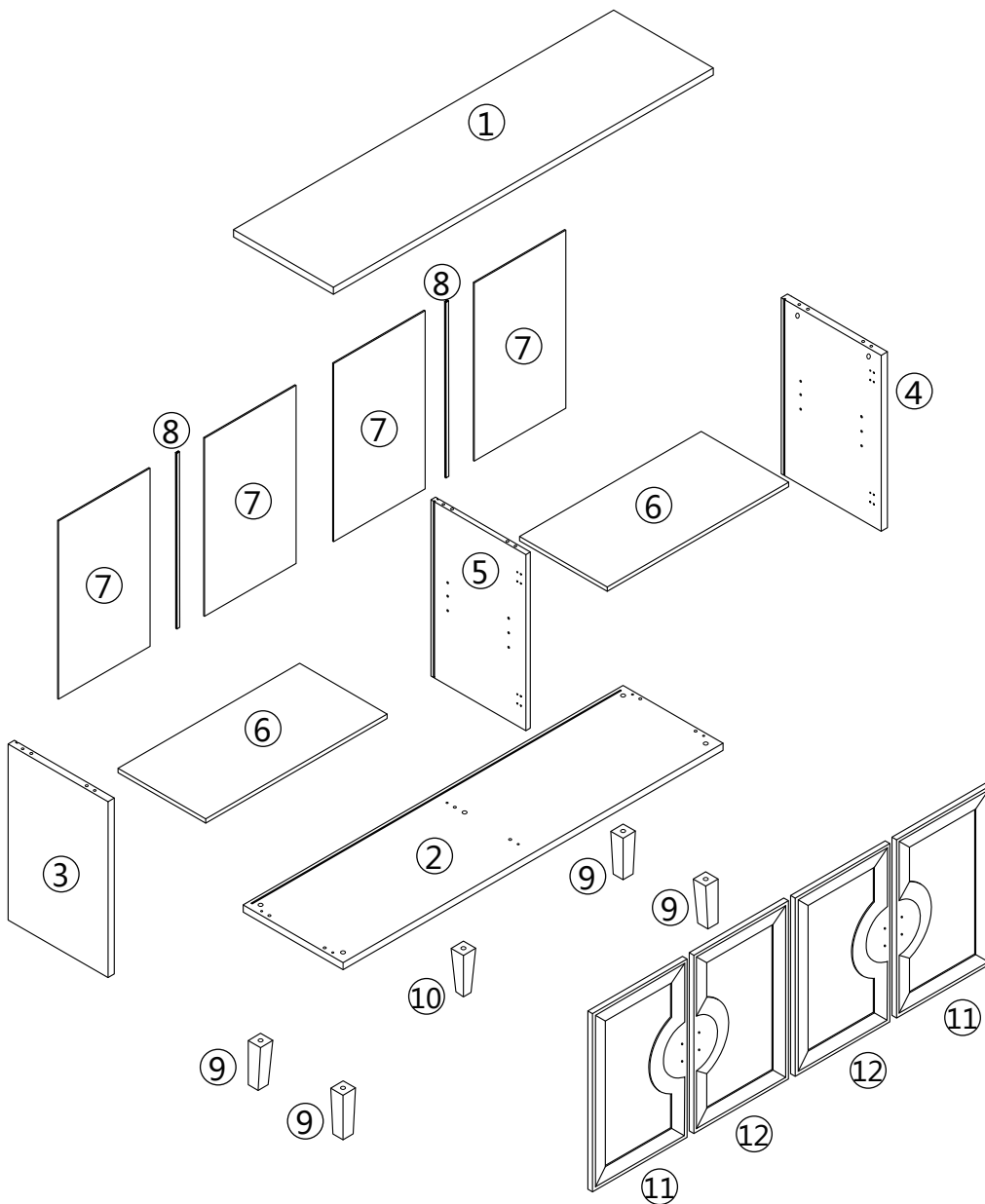
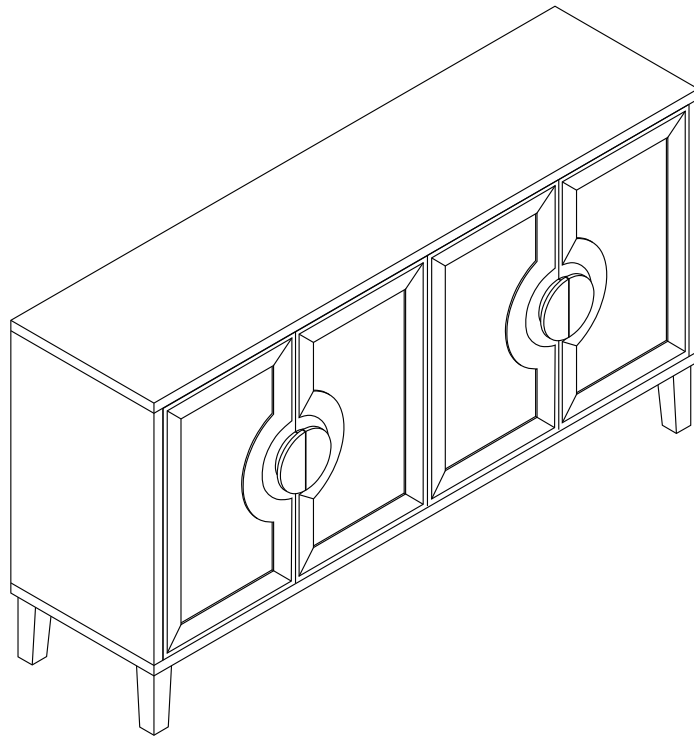
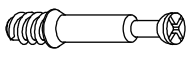

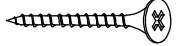
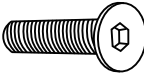


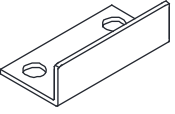
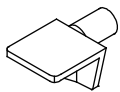
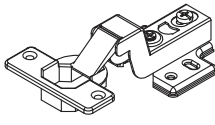
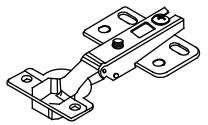

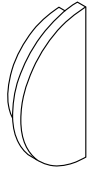
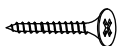
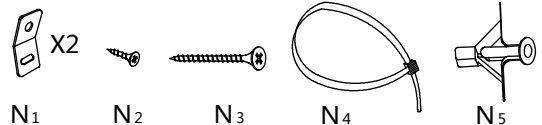


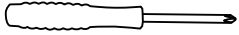
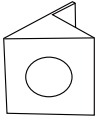


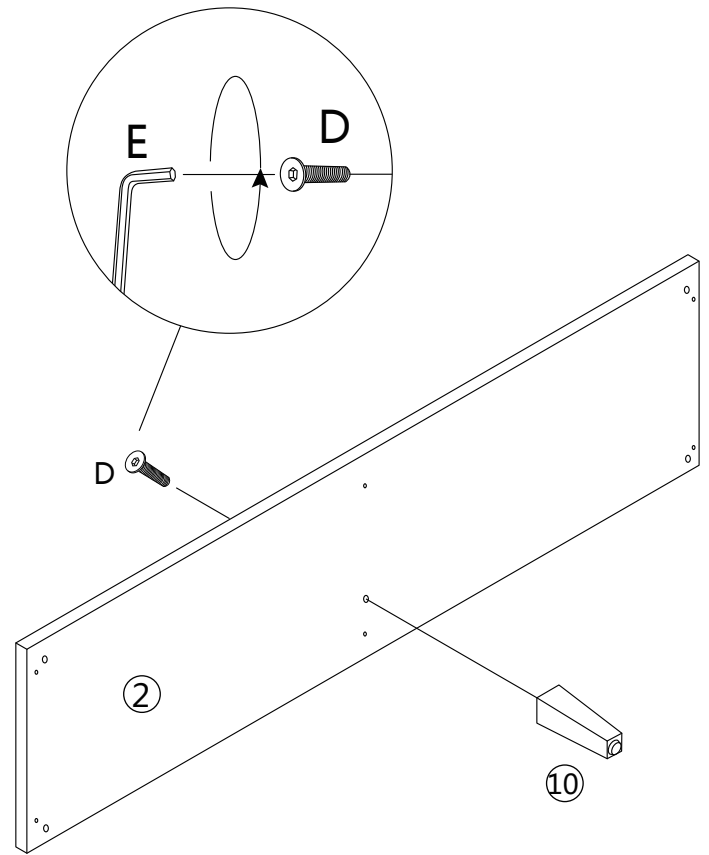
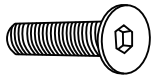
# ASSEMBLY INSTRUCTIONS





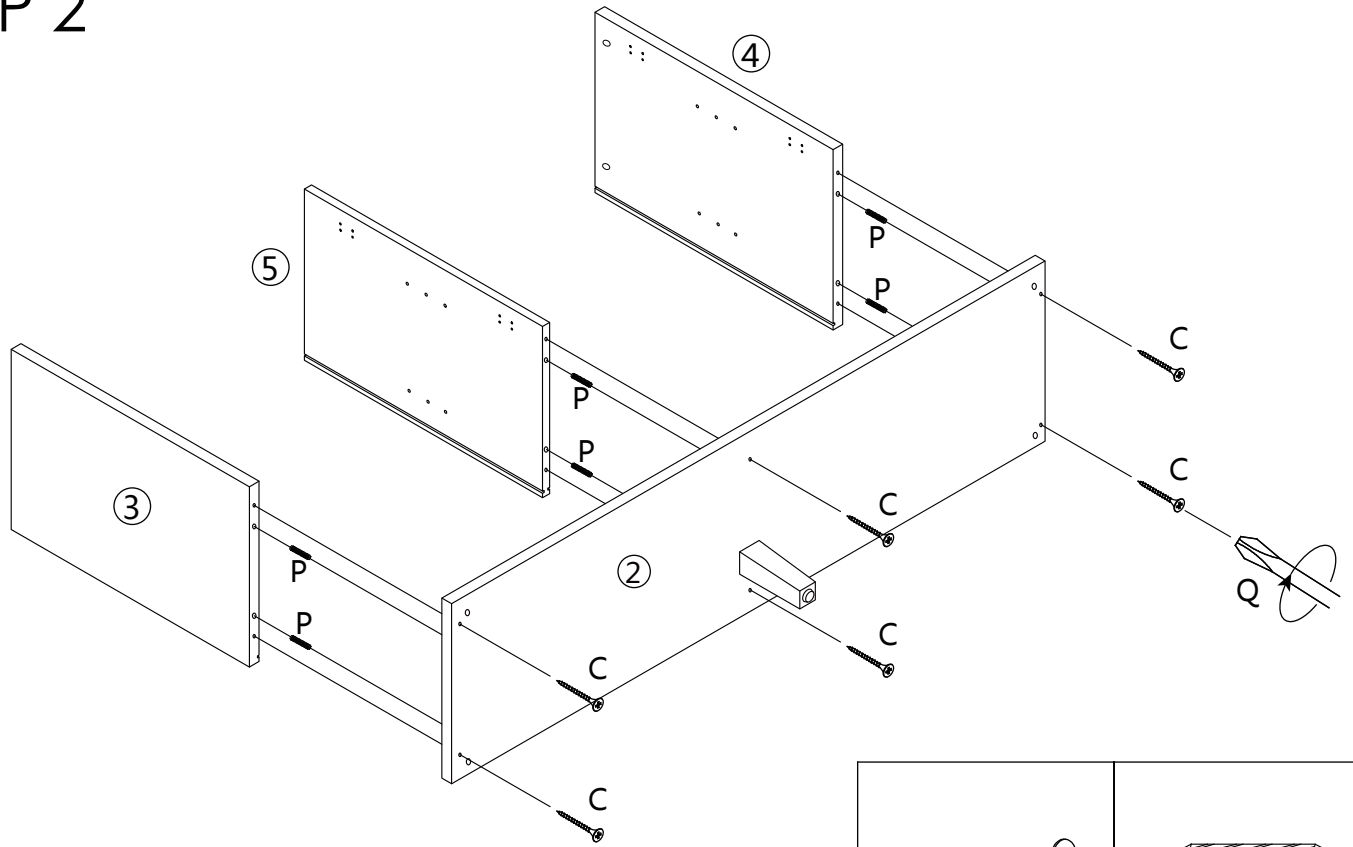
 Ø6x35mm <b>A X6</b>	 Ø15x10mm <b>B X6</b>	 Ø5x60mm <b>C X6</b>	 Ø8x35mm <b>D X5</b>	 <b>E X1</b>
 Ø3x14mm <b>F X12</b>	 <b>G X2</b>	 <b>H X8</b>	 <b>I X4</b>	 <b>J X4</b>
 Ø4x16mm <b>K X48</b>	 <b>L X4</b>	 Ø4x30mm <b>M X8</b>	 N1 N2 N3 N4 N5 <b>N X1</b>	
 <b>O X4</b>	 Ø6x30mm <b>P X12</b>	 <b>Q X1</b>	 <b>R X8</b>	

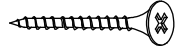

# STEP 1

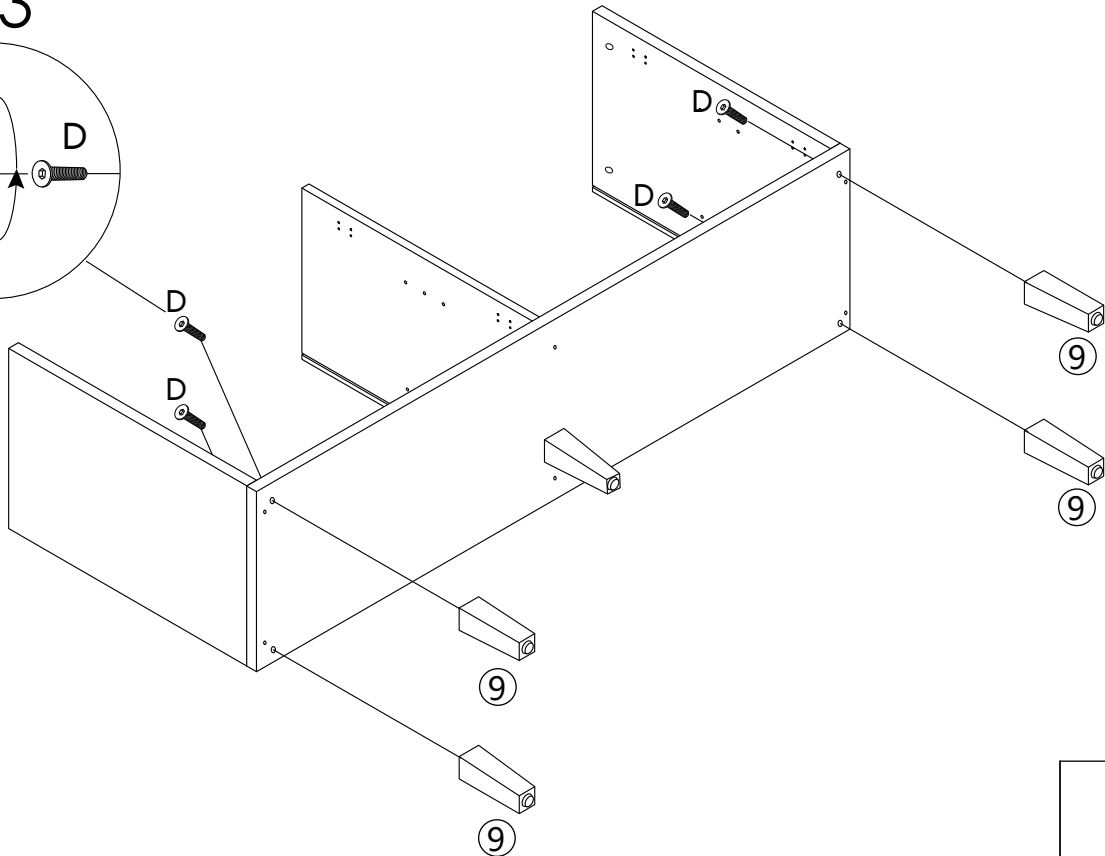
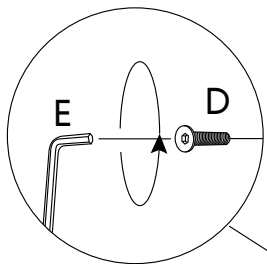
Ø8x35mm  
**D X5**

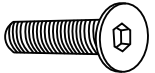
# STEP 2



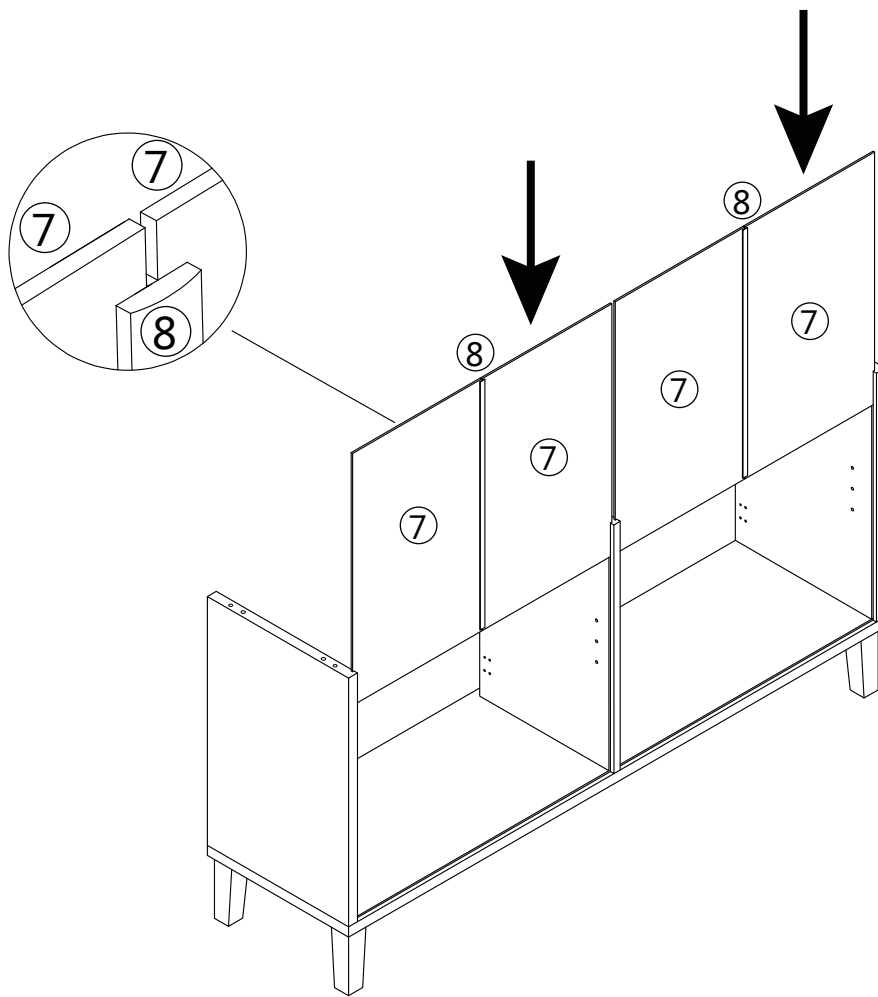
	
Ø5x60mm	Ø6x30mm
C X6	P X6

# STEP 3

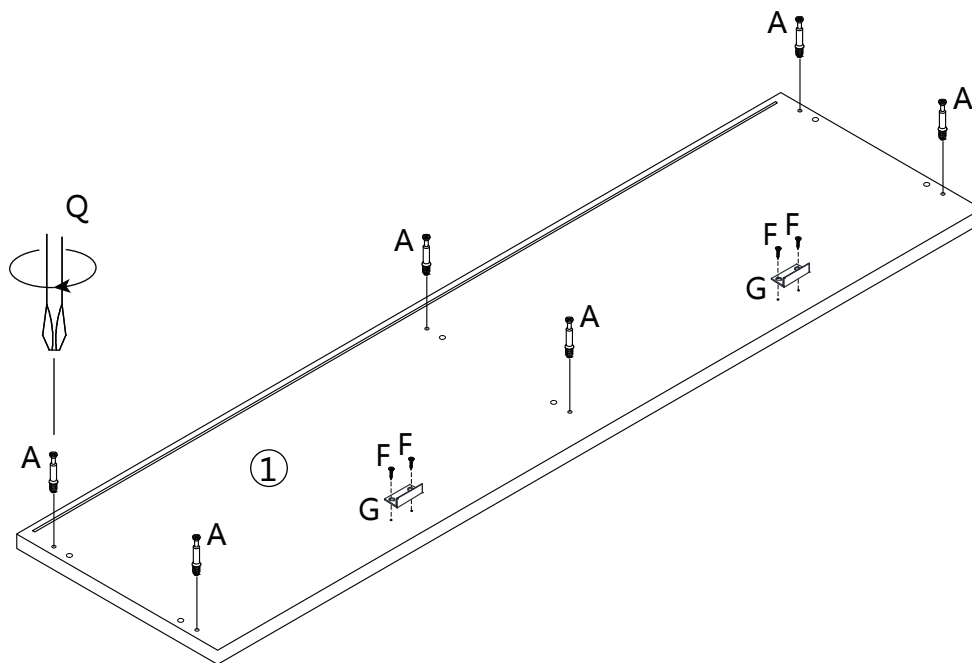


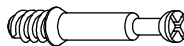
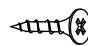
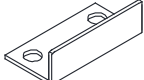

Ø8x35mm
DX4

# STEP 4

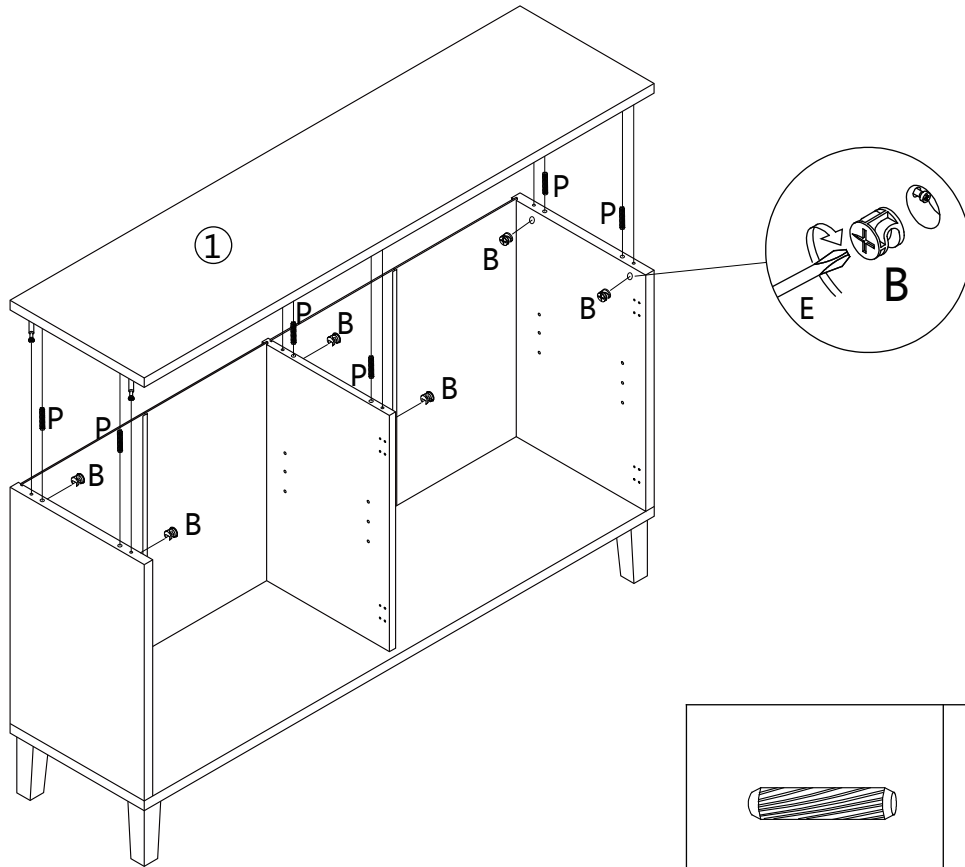




# STEP 5



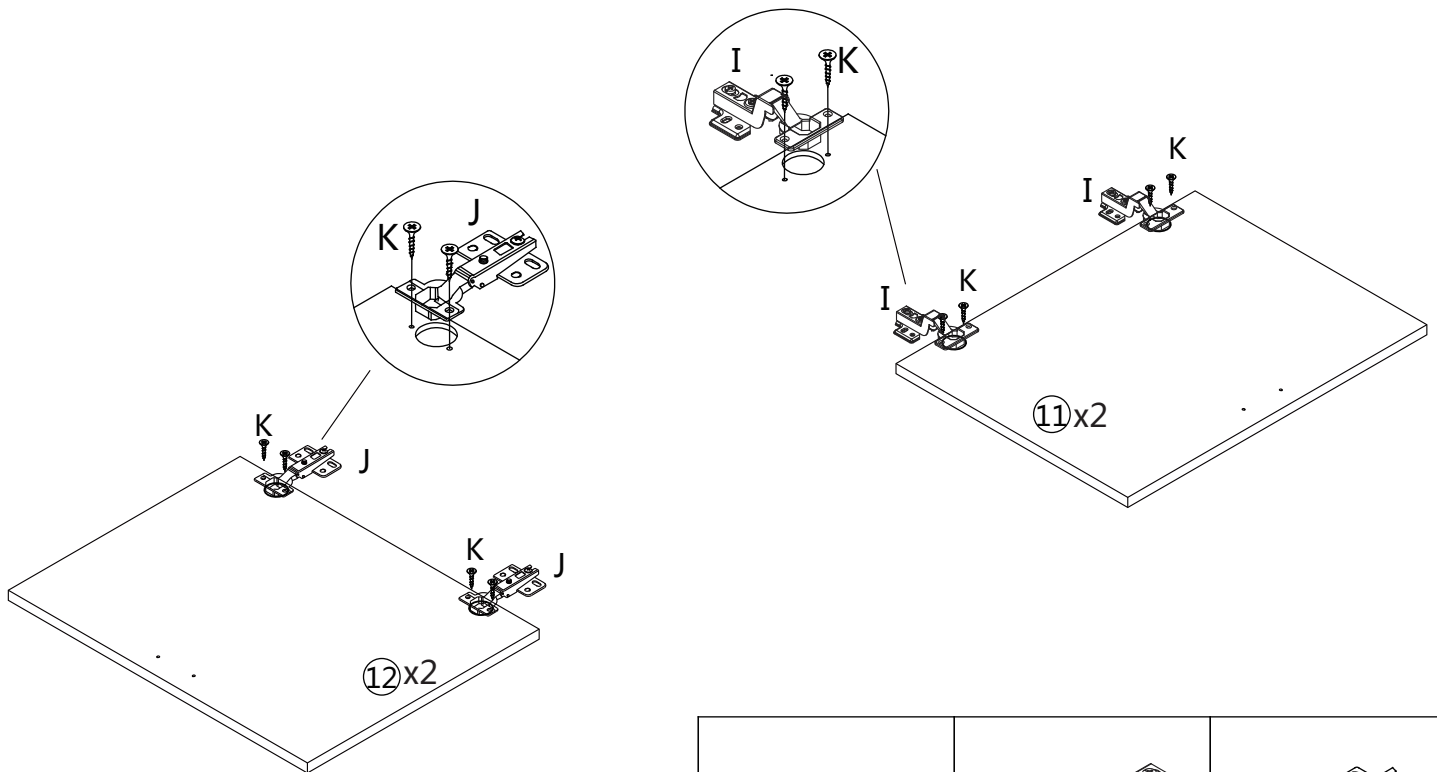
		
Ø6x35mm	Ø3x14mm	
A X6	F X4	GX2

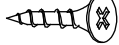
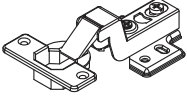
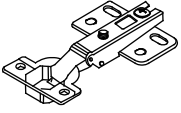
# STEP 6



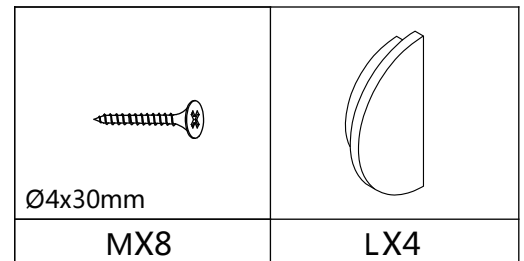
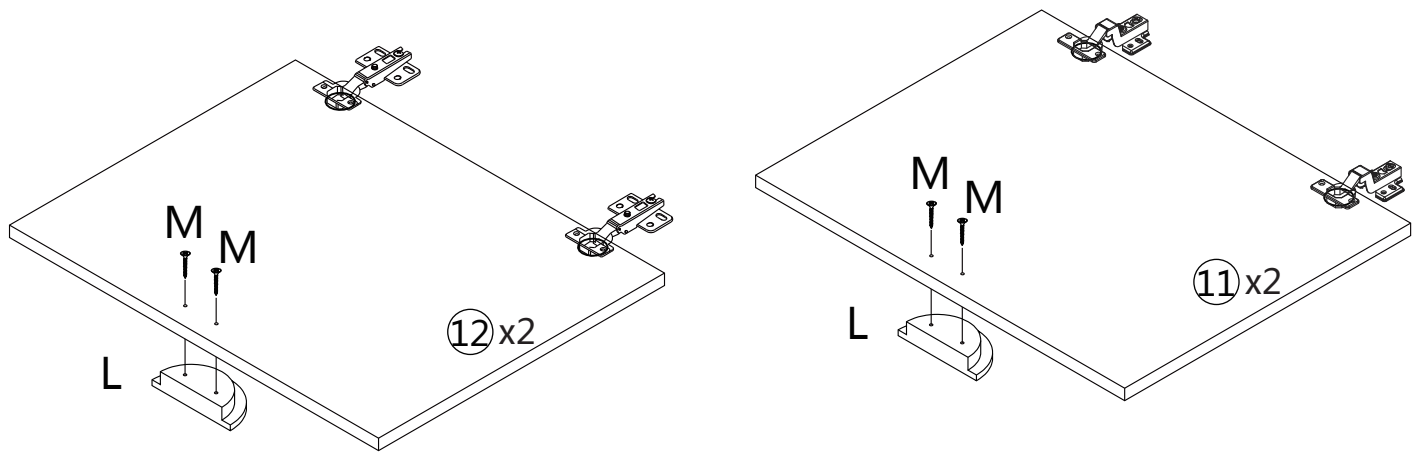
	
Ø6x30mm	Ø15x10mm
P X6	B X6

# STEP 7

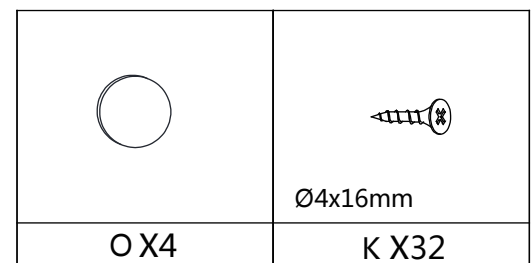
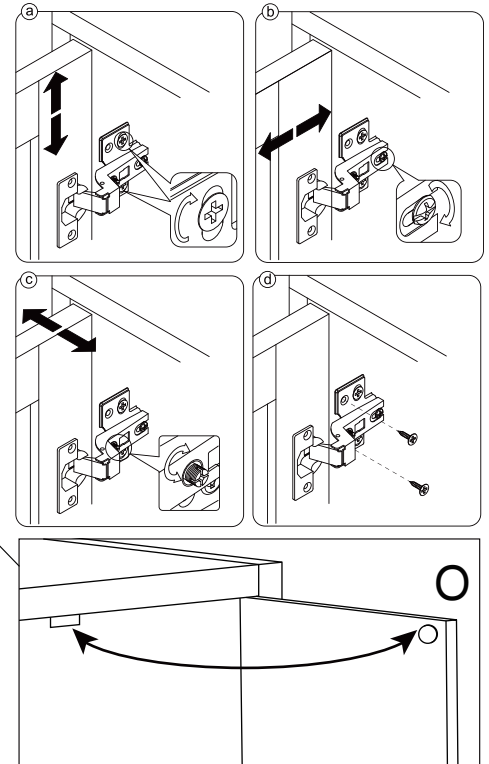
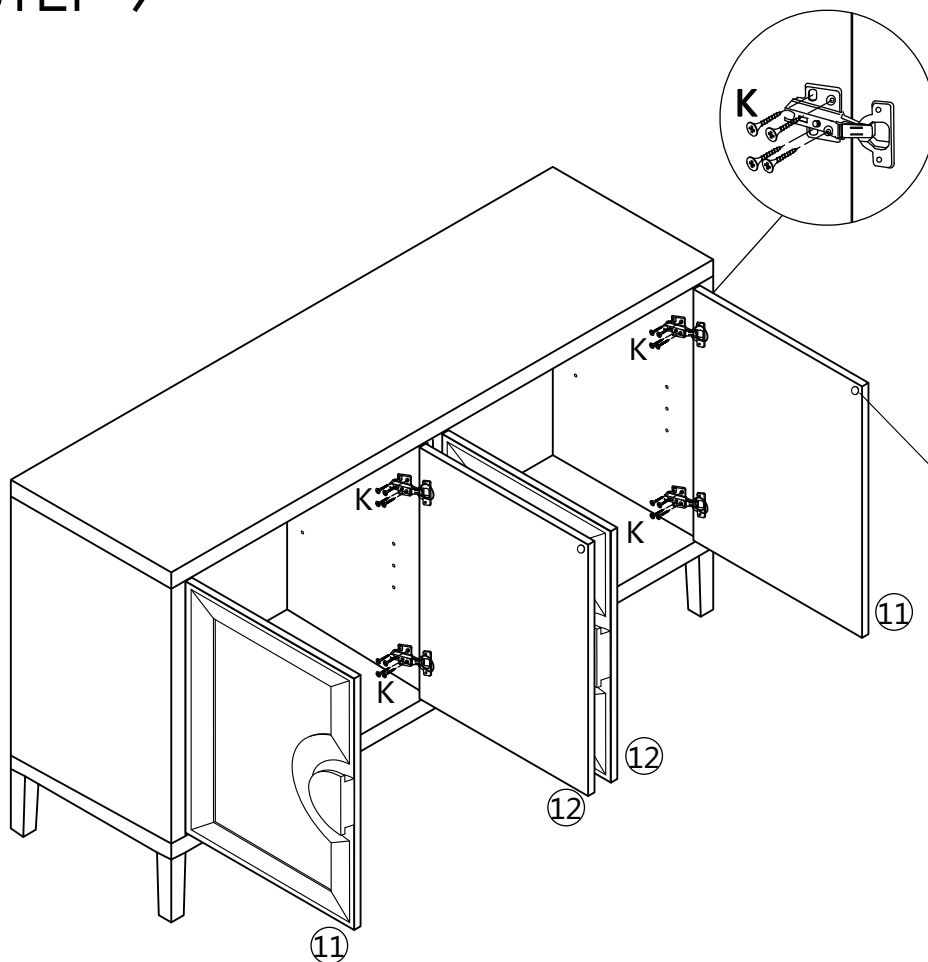


		
Ø4x16mm		
K X16	I X4	J X4

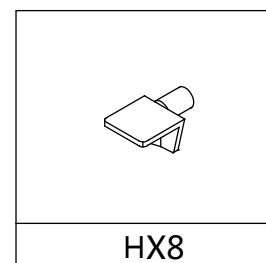
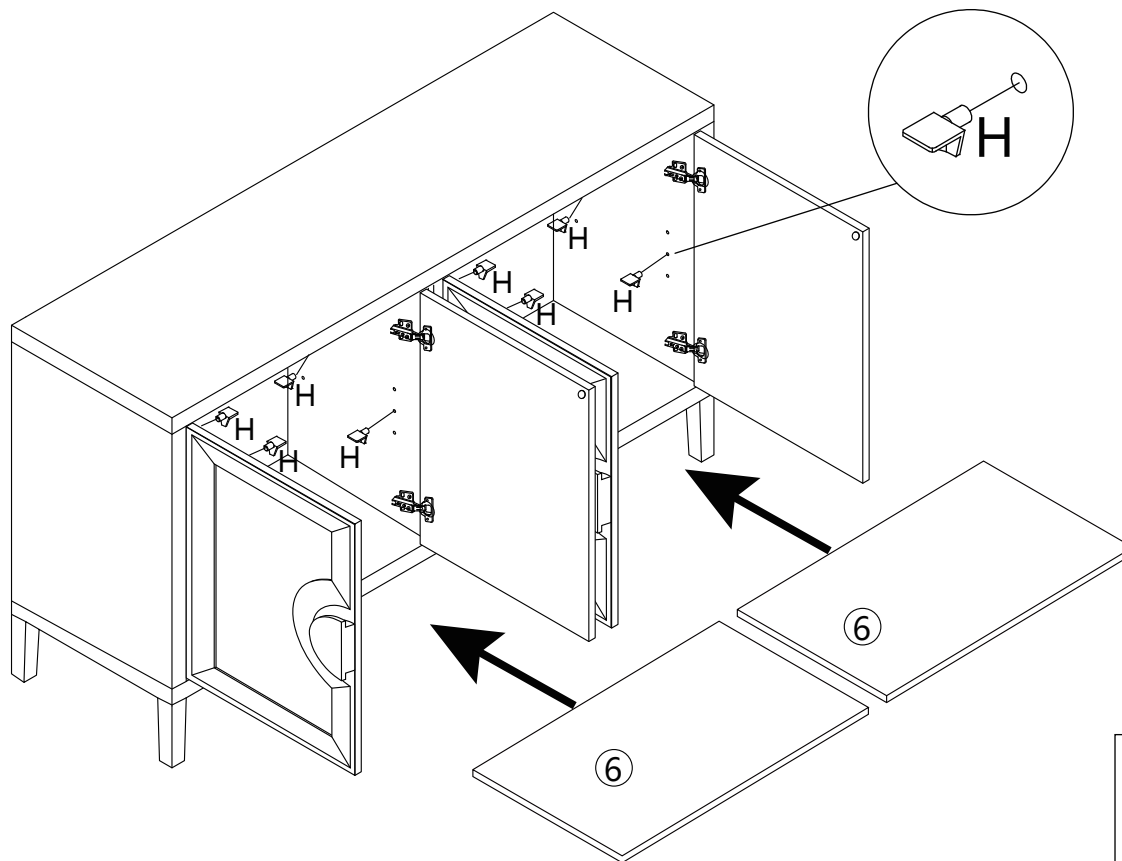
# STEP 8



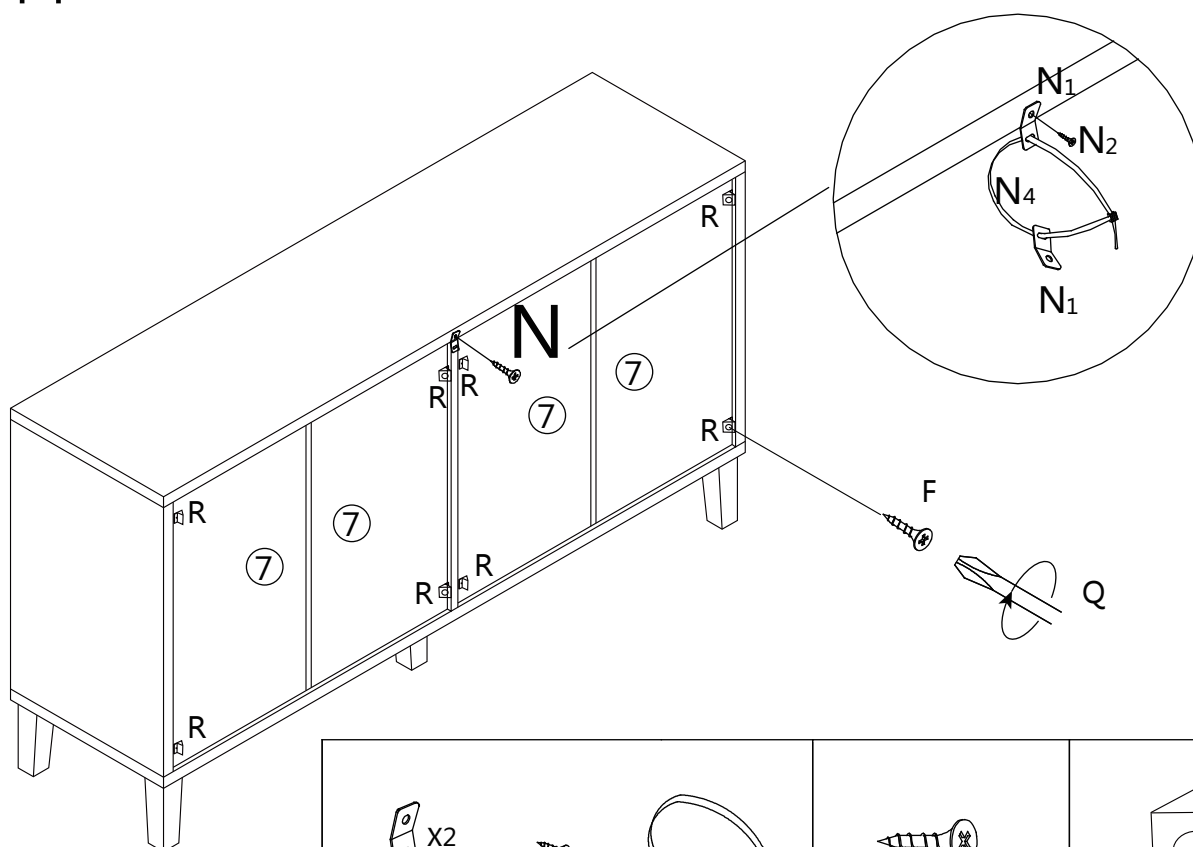
# STEP 9



# STEP 10



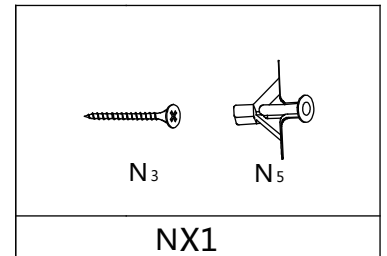
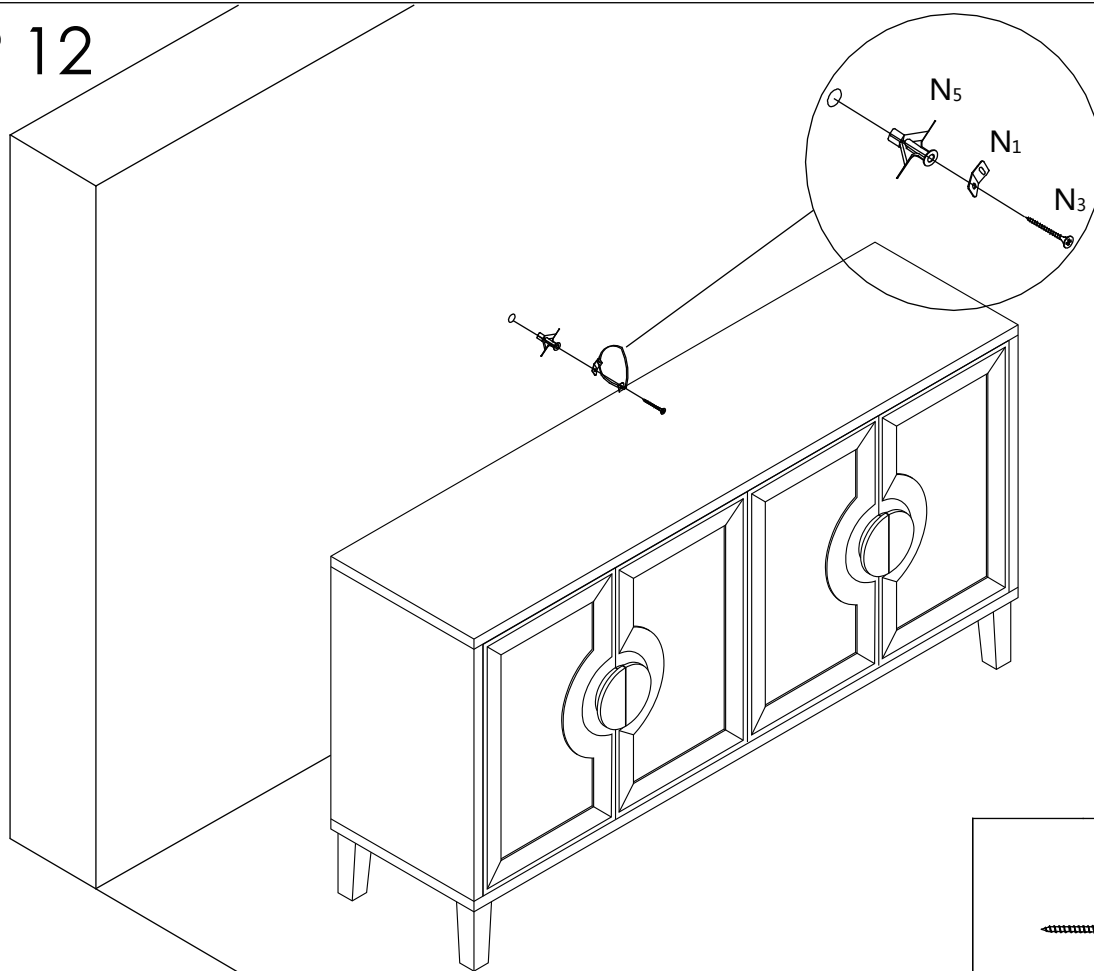
# STEP 11



<p>N1 X2</p>	<p>N2</p>	<p>N4</p>	<p>Ø3X14mm</p>	<p>R X8</p>
<p>NX1</p>			<p>F X8</p>	<p>R X8</p>



# STEP 12

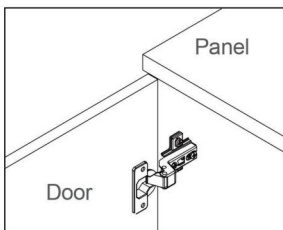


## Assembly Steps(EN) / Montageschritte(DE)

HOW TO ADJUST THE HINGES TO ALIGN THE DOORS IF NEEDED.

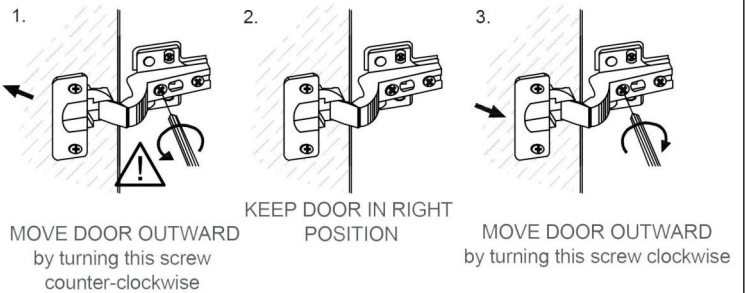
### STEP 1

Open the door.



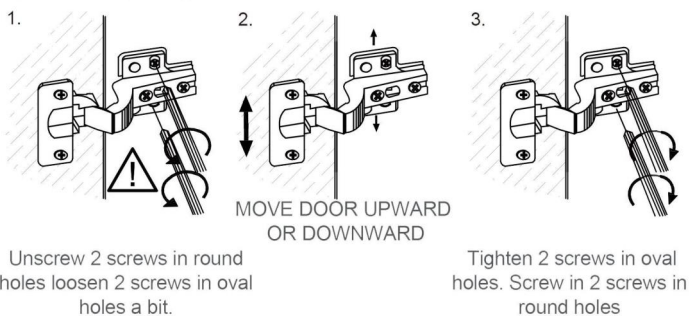
### STEP 3

Adjust the flush between door panel and side panel



### STEP 2

Adjust the door panels up or down



### STEP 4

Adjust the Gap between door panel and side panel

