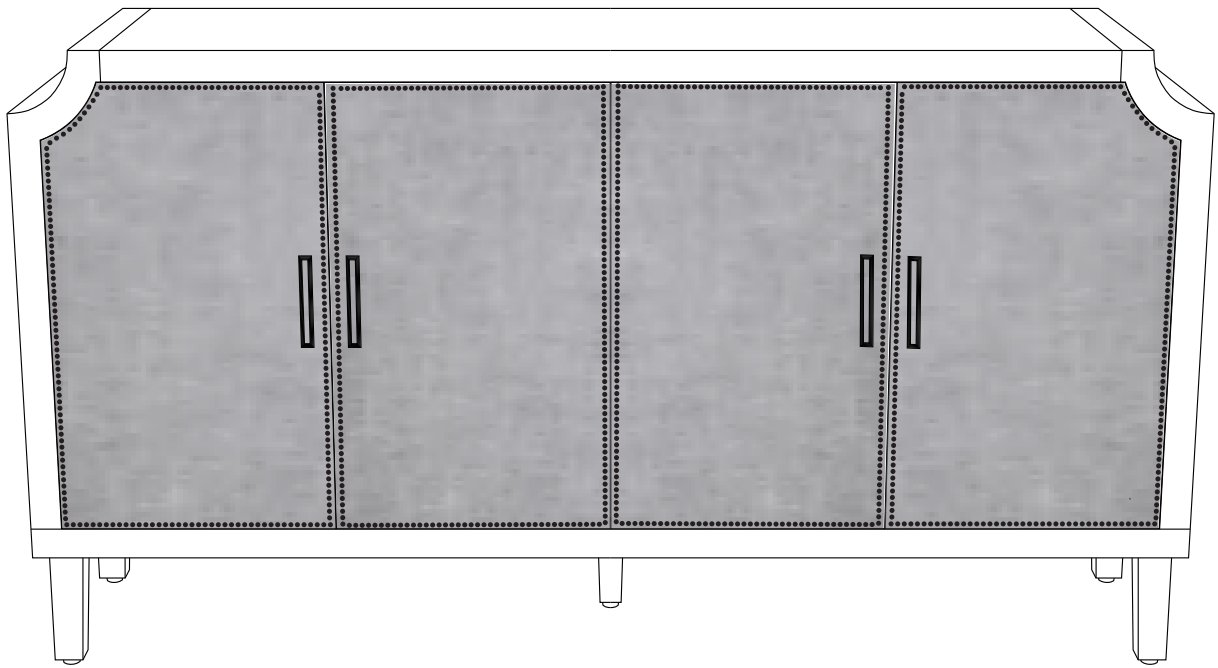
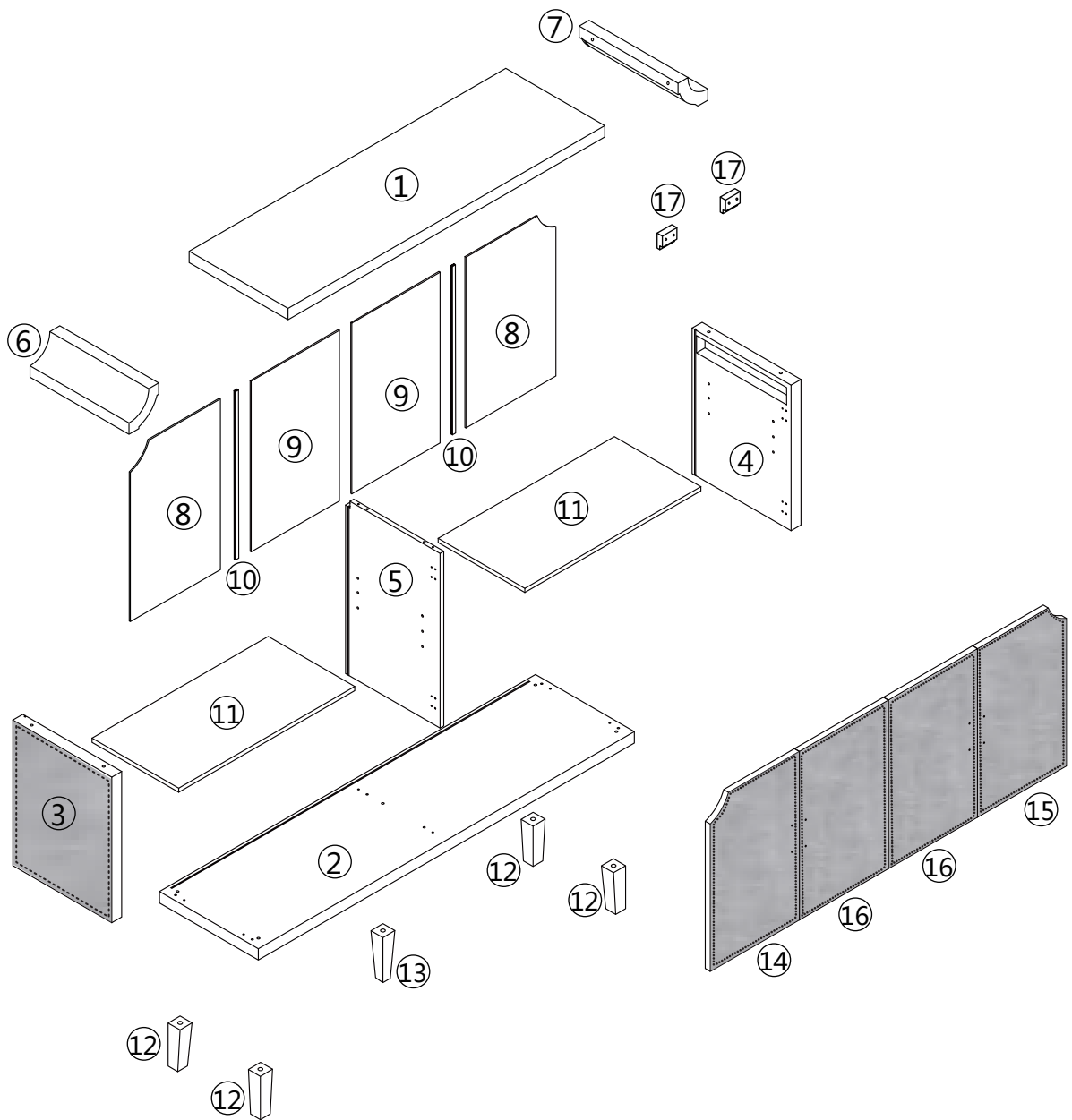
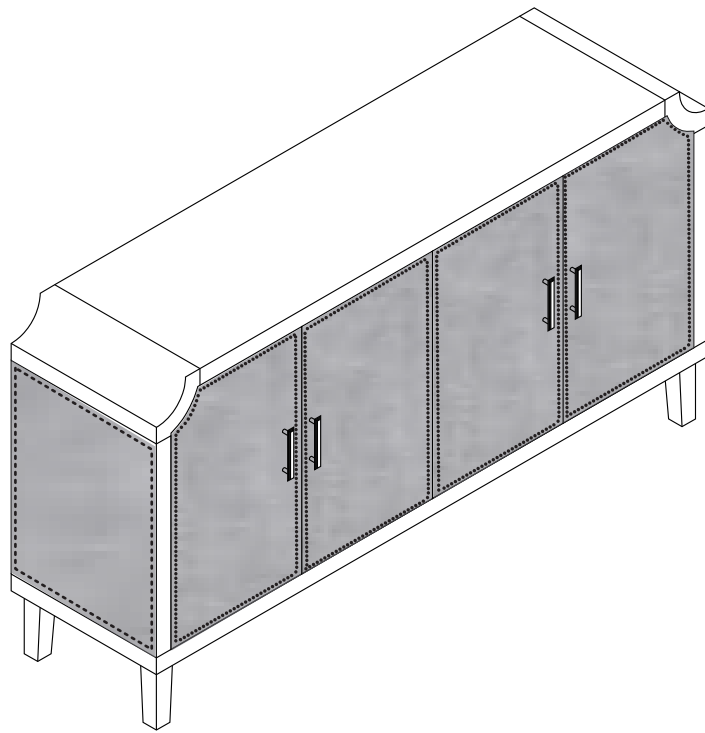
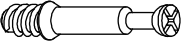

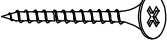
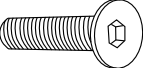


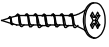
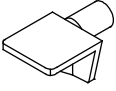
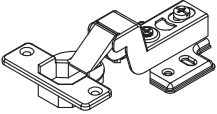
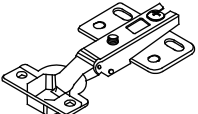

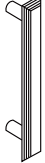
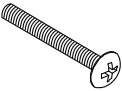
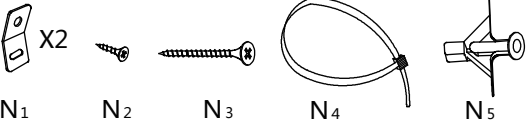


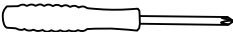
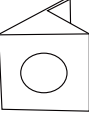
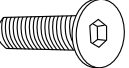


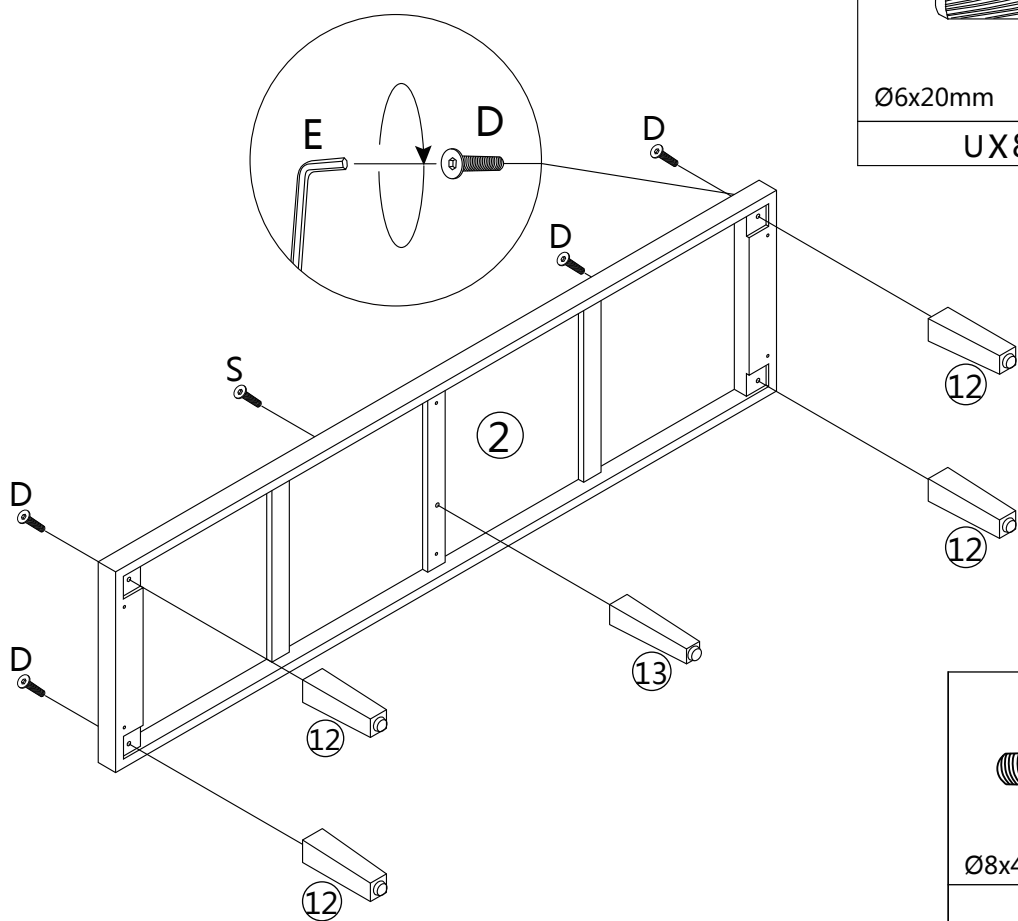
ASSEMBLY INSTRUCTIONS





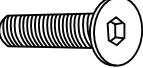
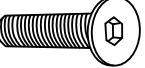


 Ø6x35mm AX2	 Ø15x10mm BX2	 Ø5x60mm CX6	 Ø8x40mm DX4	 EX1
 Ø3x14mm FX12	 Ø3x30mm GX4	 HX8	 IX4	 JX4
 Ø4x16mm KX48	 LX4	 Ø4x28mm MX8	 NX1	
 OX4	 Ø6x30mm PX8	 QX1	 RX8	 Ø8x35mm SX9

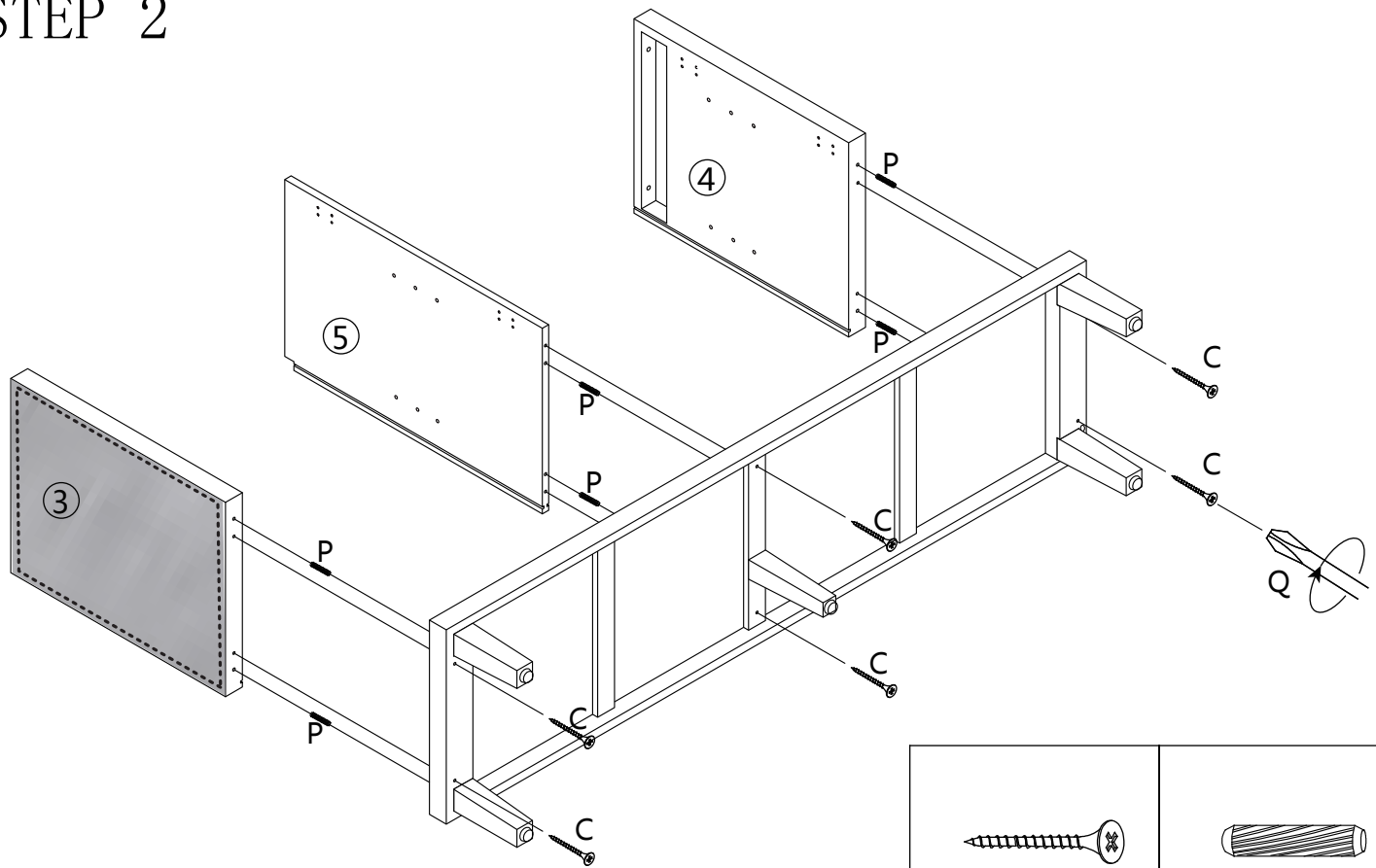
STEP 1



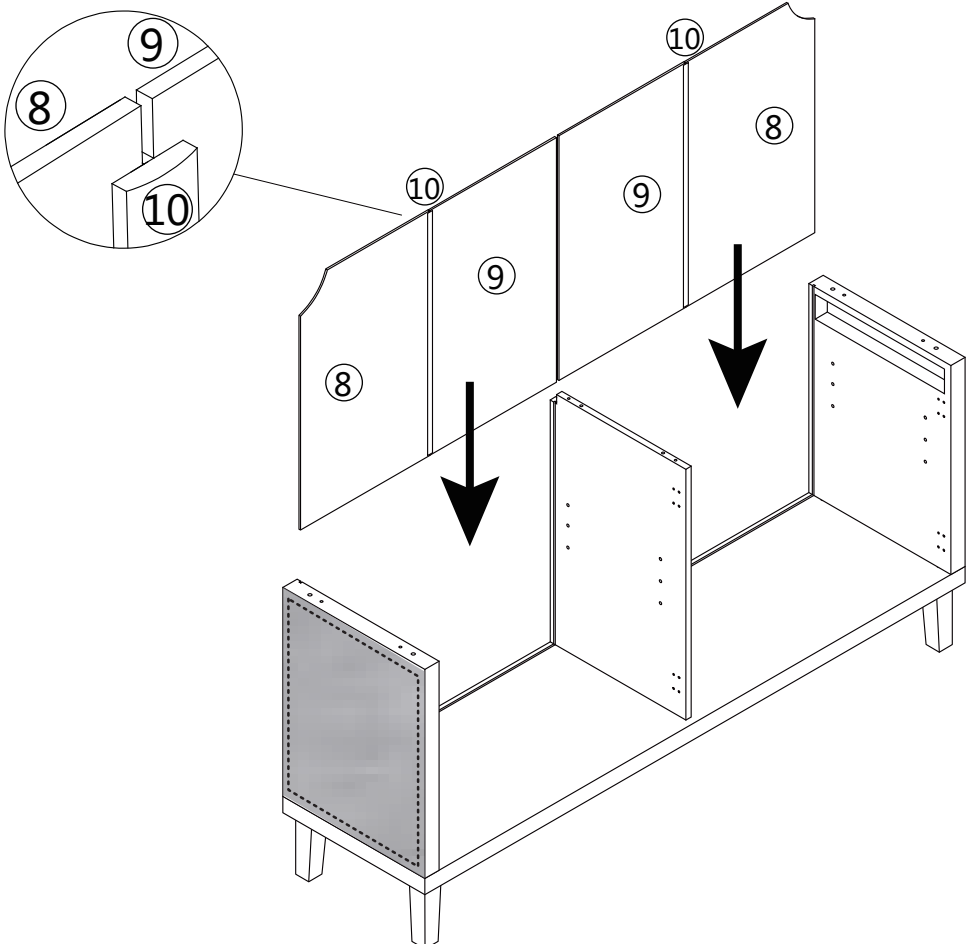
 Ø6x20mm UX8	 TX4
---	--

 Ø8x40mm DX4	 Ø8x35mm SX1
---	---

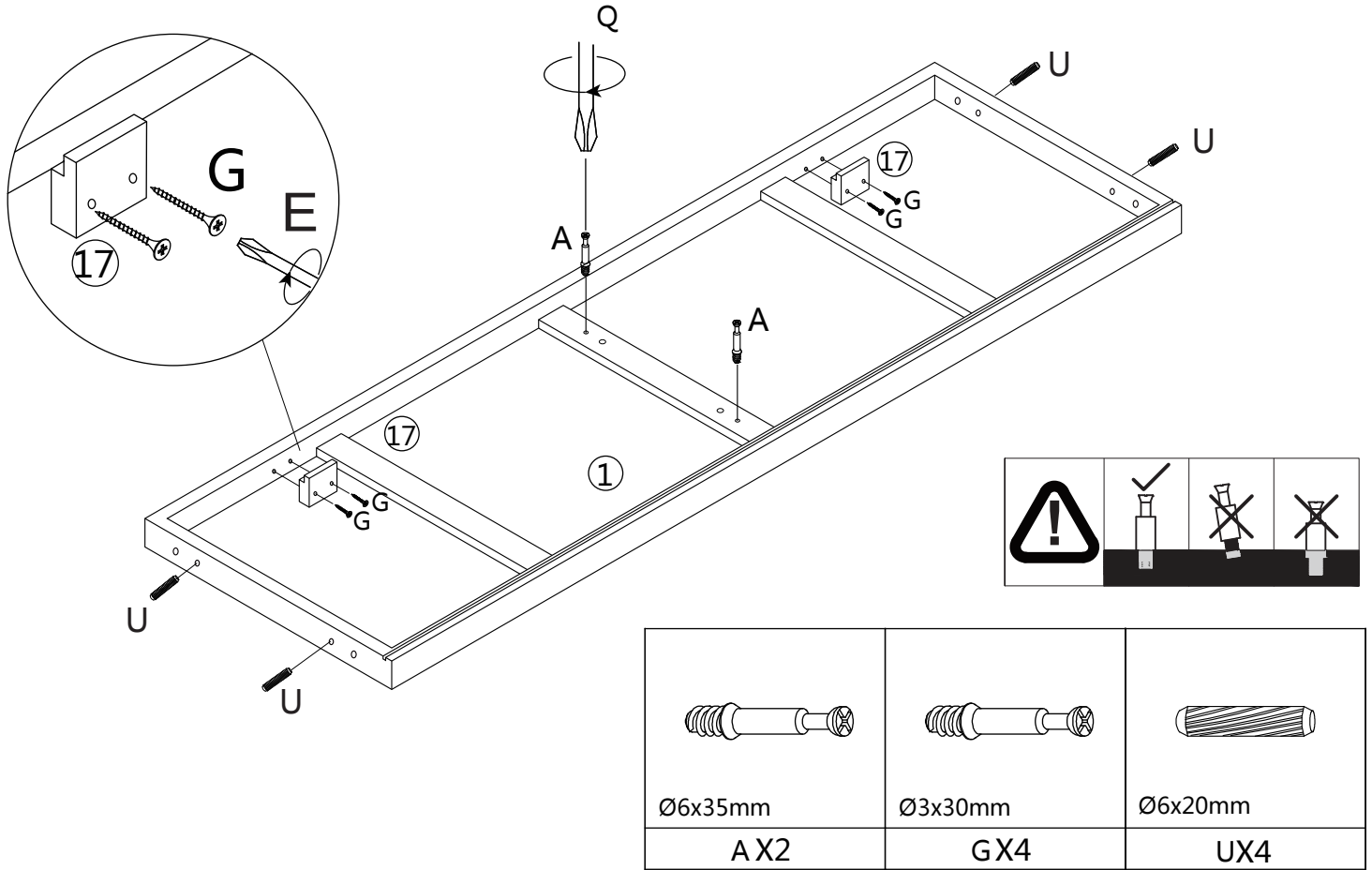
STEP 2



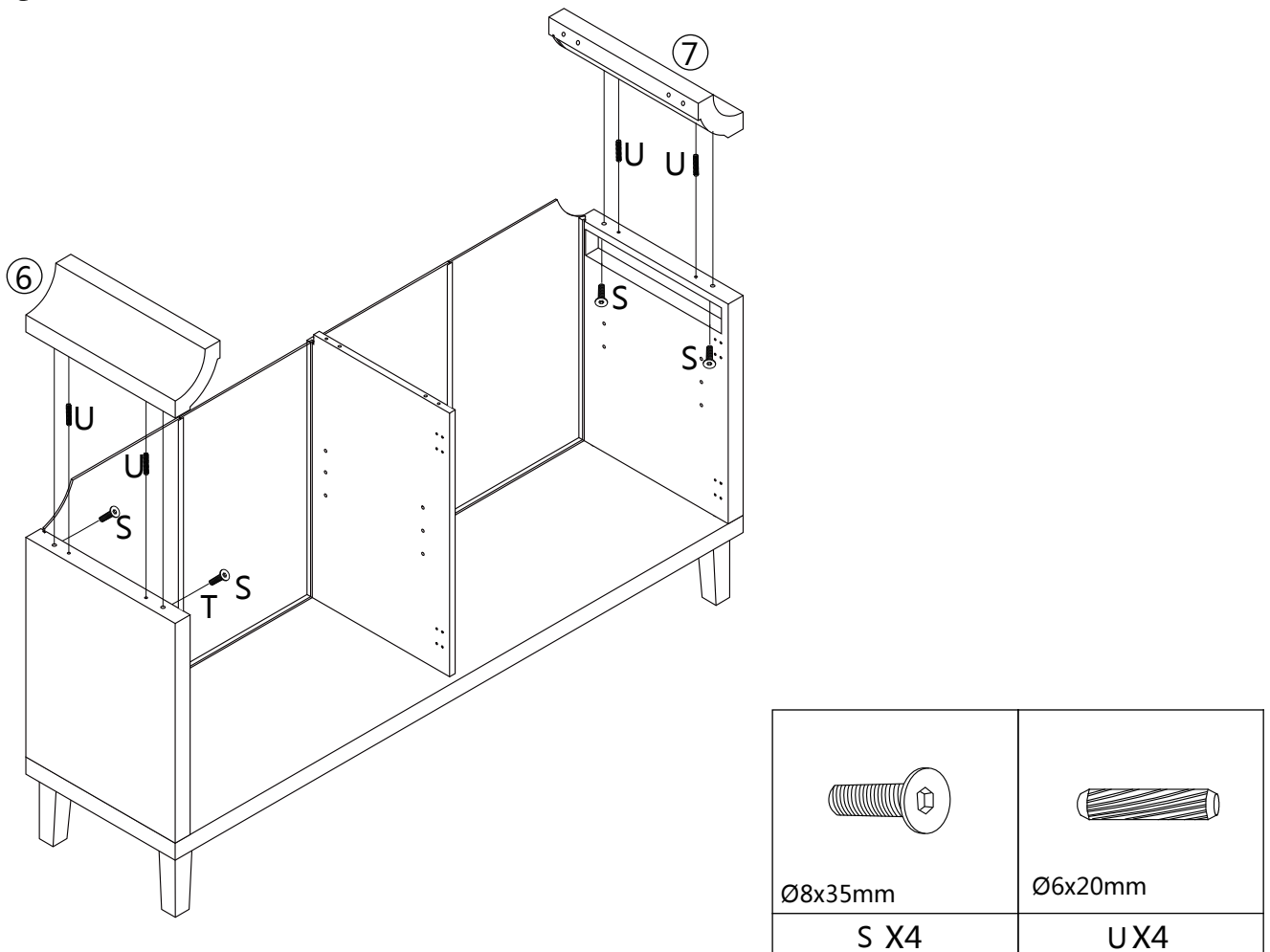
STEP 3



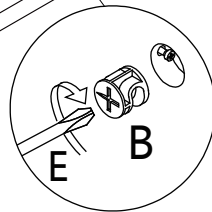
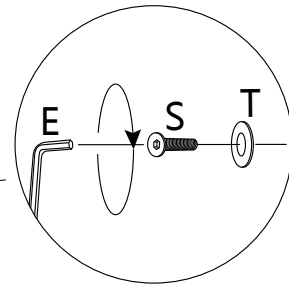
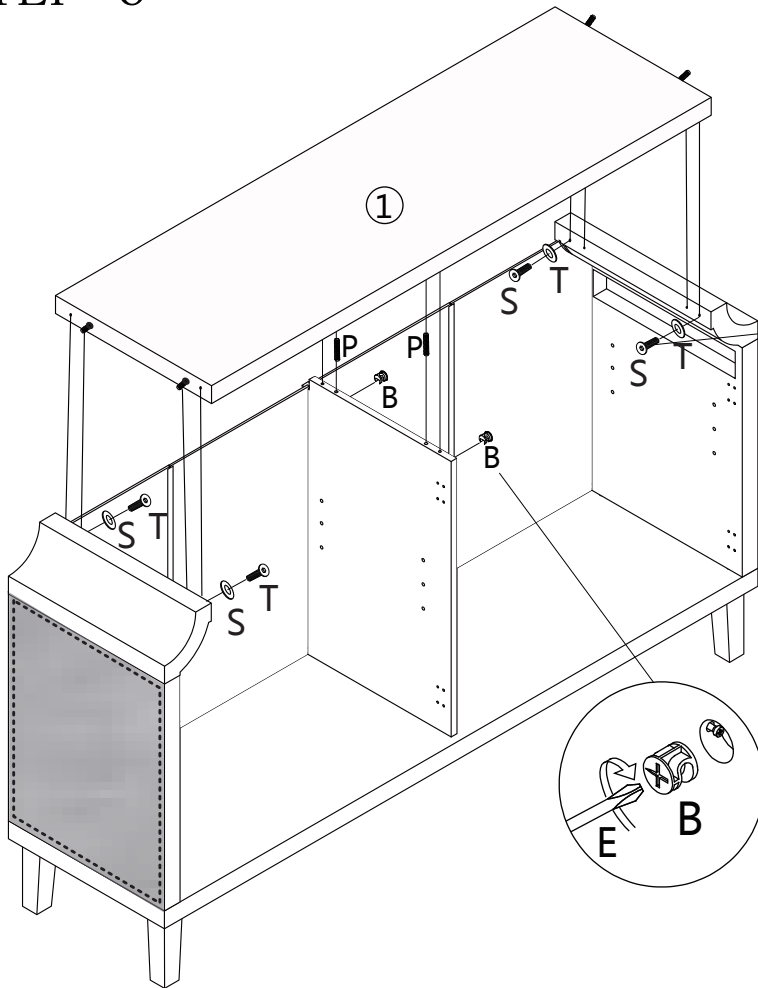
STEP 4



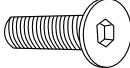



STEP 5

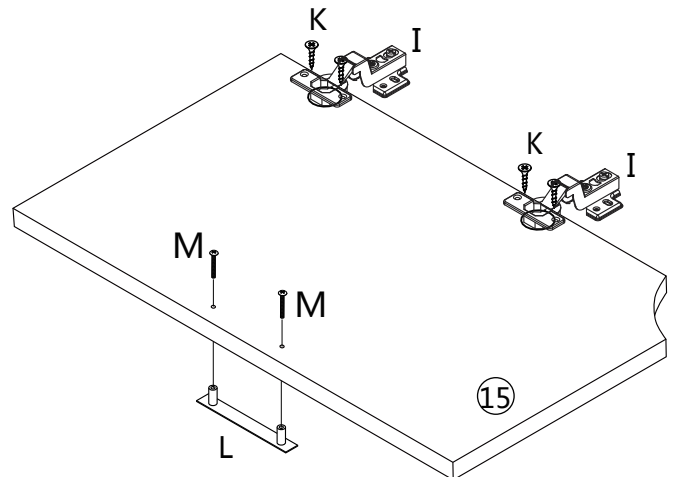
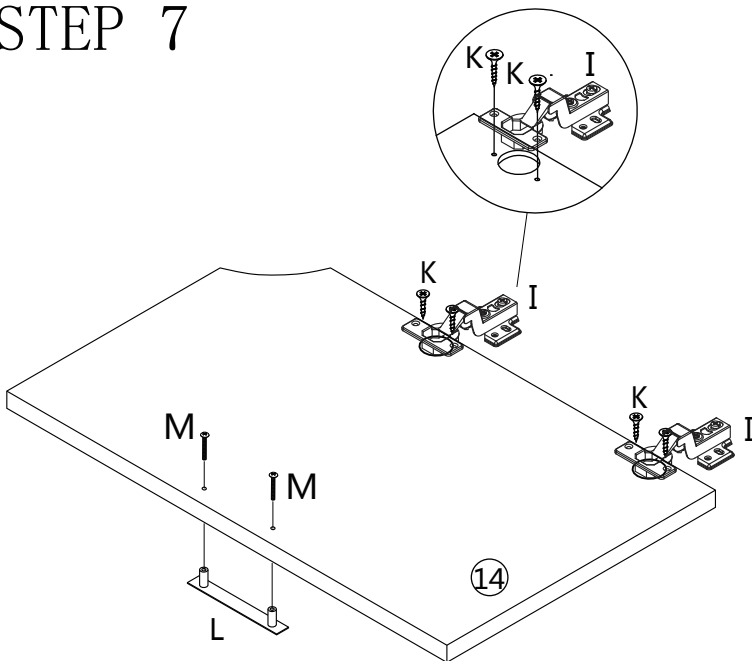


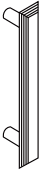
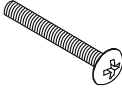
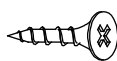
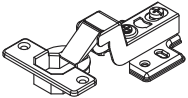
STEP 6



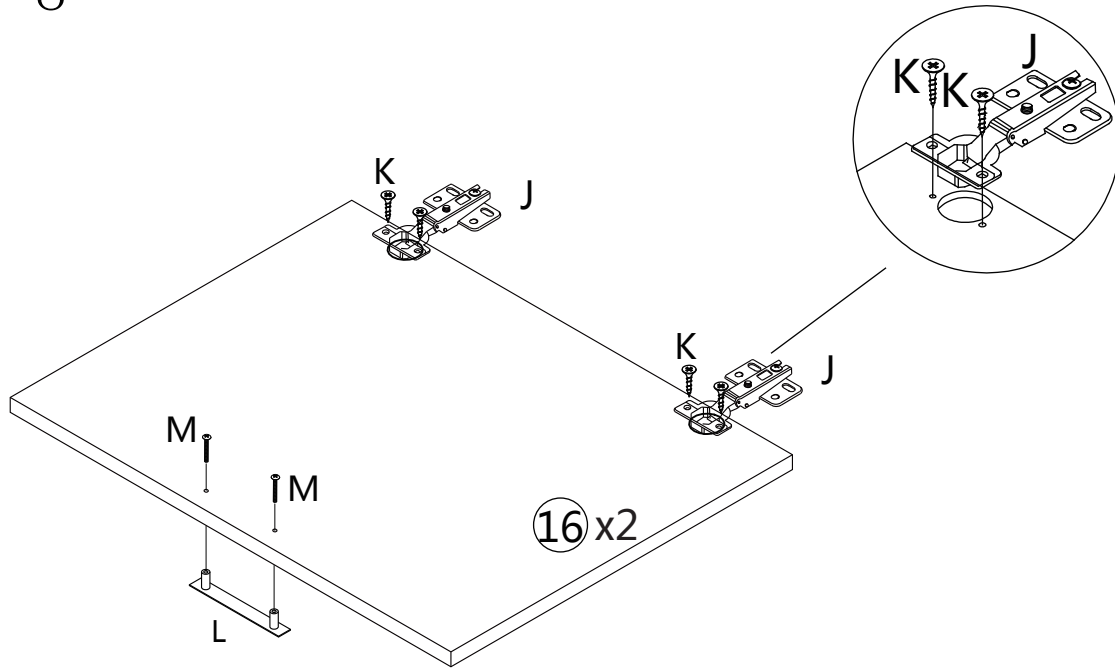
	
Ø15x10mm	Ø6x30mm
B X2	P X2
	
Ø8x35mm	
S X4	T X4

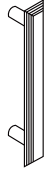
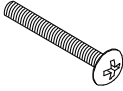

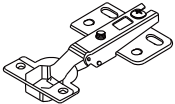
STEP 7



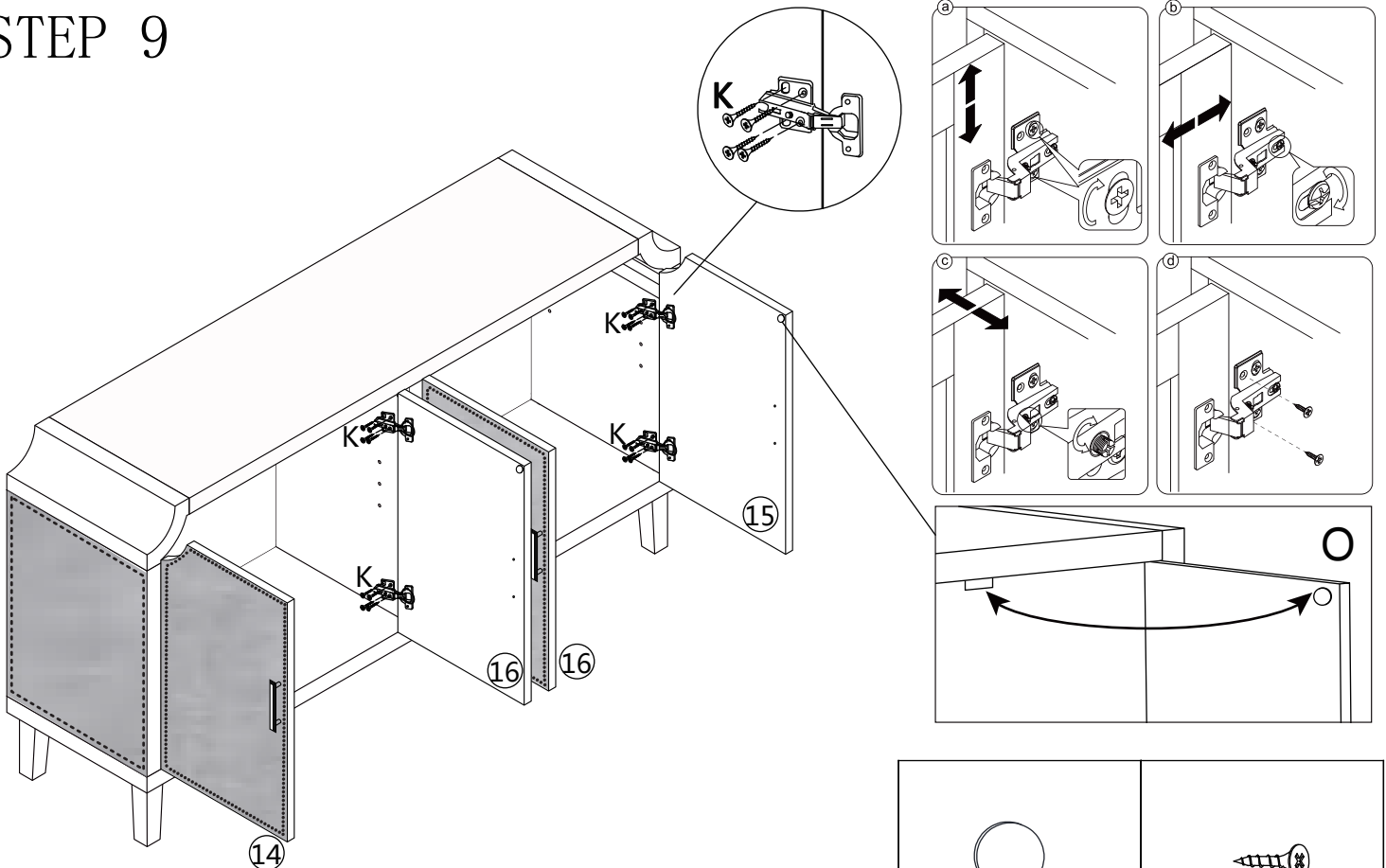
			
LX2	Ø4x28mm	Ø4x16mm	I X4
	MX4	K X8	


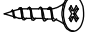
STEP 8



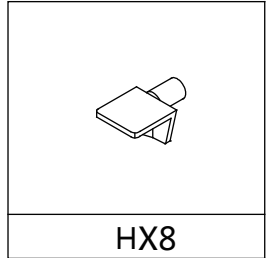
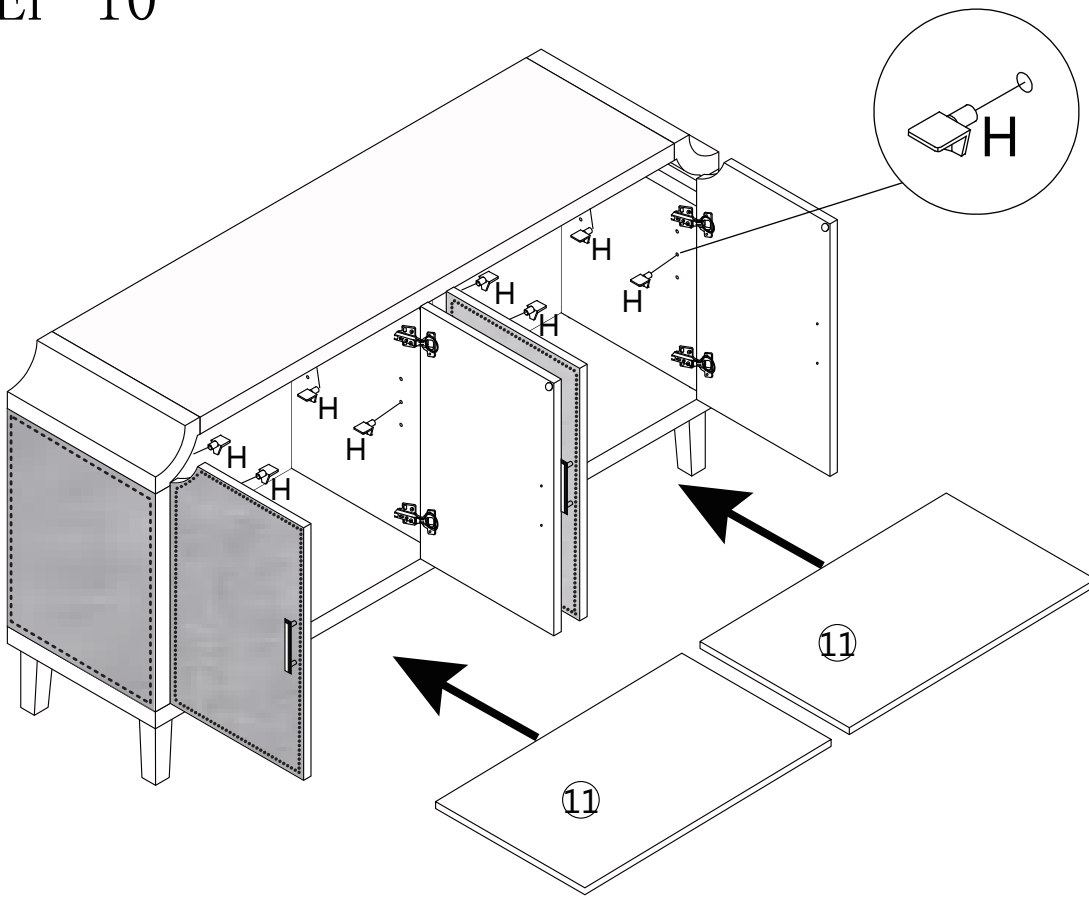
			
LX2	Ø4x28mm	Ø4x16mm	J X4

STEP 9

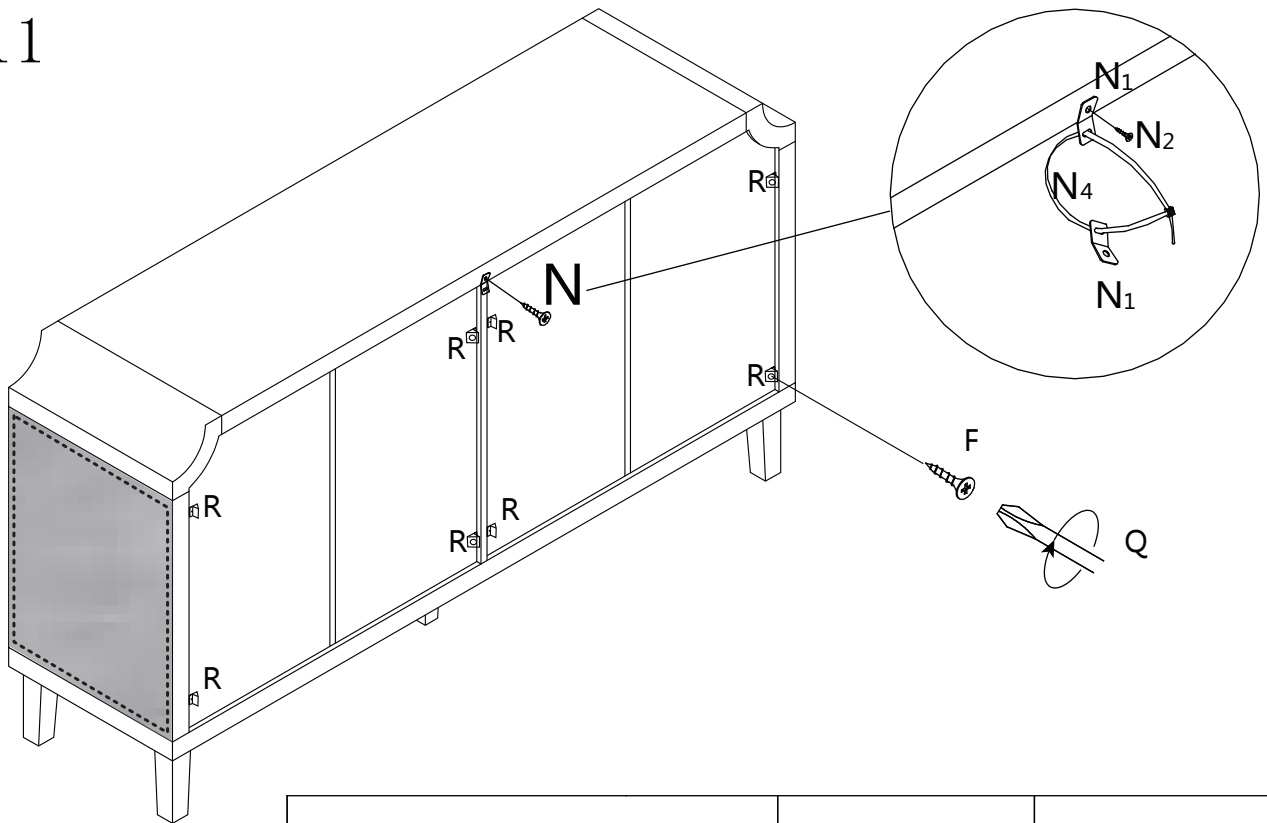




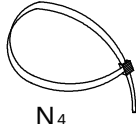
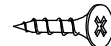
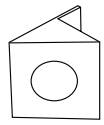
	
O X4	Ø4x16mm K X32

STEP 10

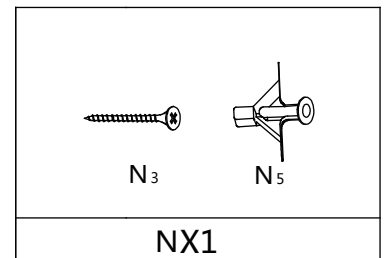
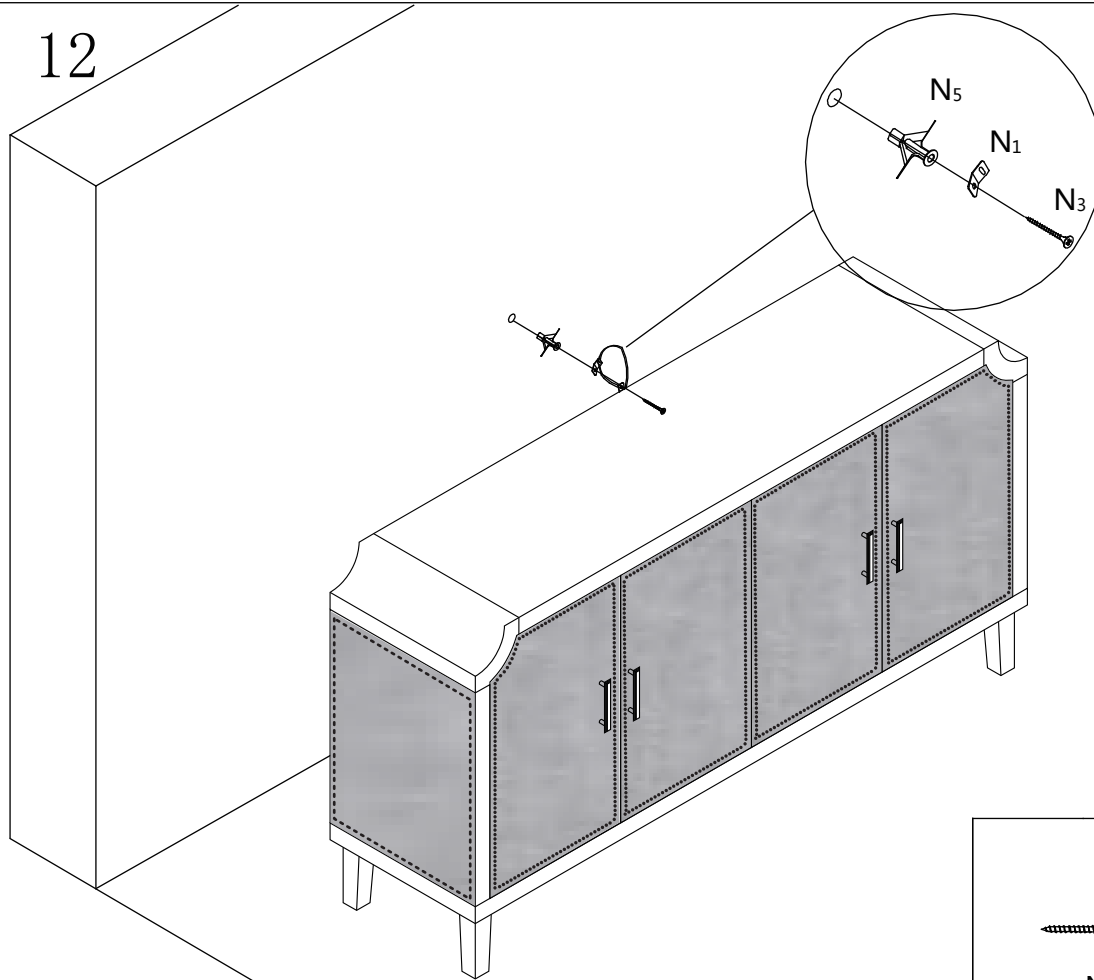


STEP 11



 X2				
N1	N2	N4	Ø3X14mm	
NX1			F X8	R X8

STEP 12

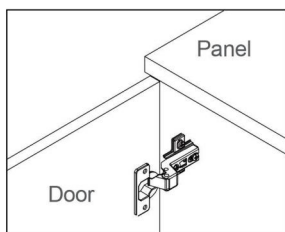


Assembly Steps(EN) / Montageschritte(DE)

HOW TO ADJUST THE HINGES TO ALIGN THE DOORS IF NEEDED.

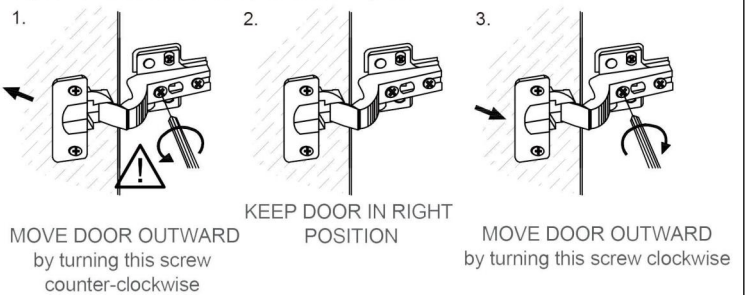
STEP 1

Open the door.



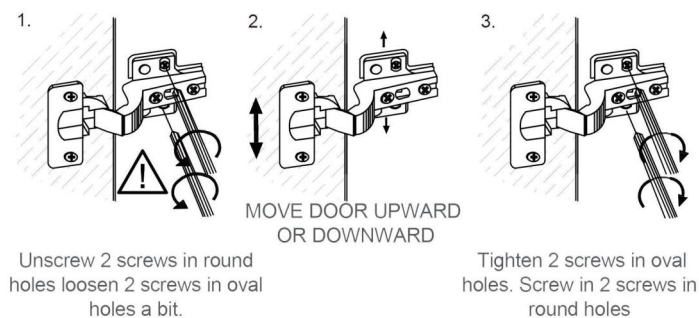
STEP 3

Adjust the flush between door panel and side panel



STEP 2

Adjust the door panels up or down



STEP 4

Adjust the Gap between door panel and side panel

