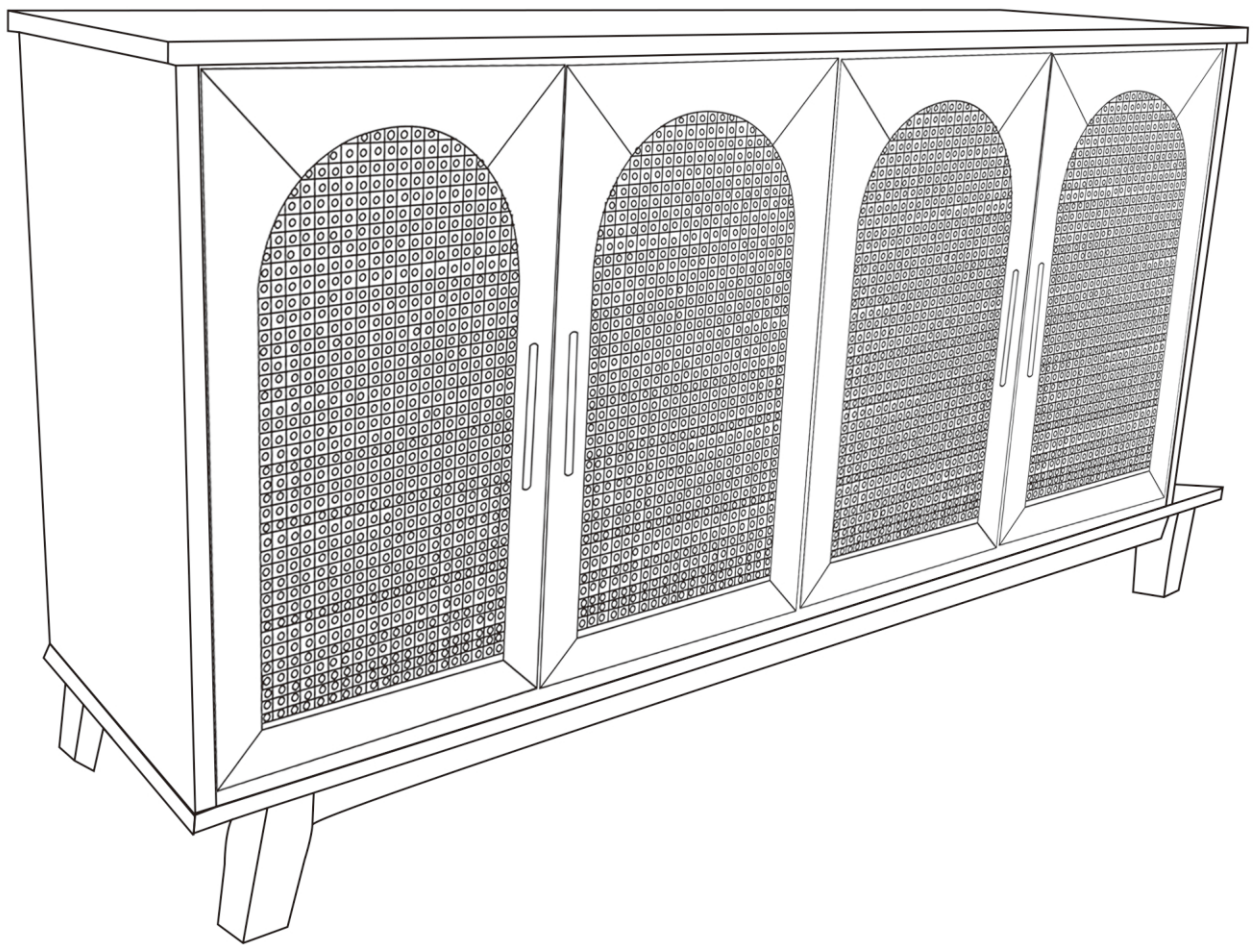
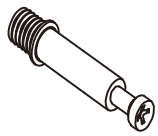


Installation Instruction

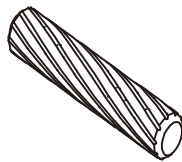




Ax20



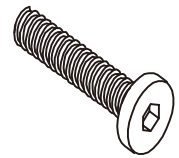
BX20



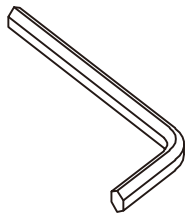
Cx12



Dx4



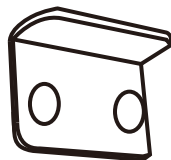
Ex4



Fx1



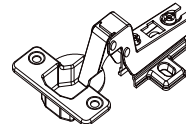
Gx4



Hx2



Ix48



Jx4



Kx4



L1

x2



L2



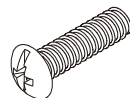
L3



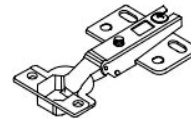
L4



L5



Mx8



N x4



Ox1

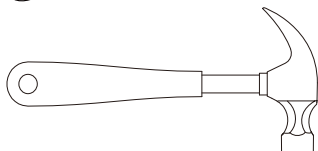
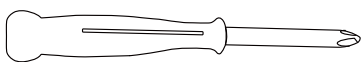


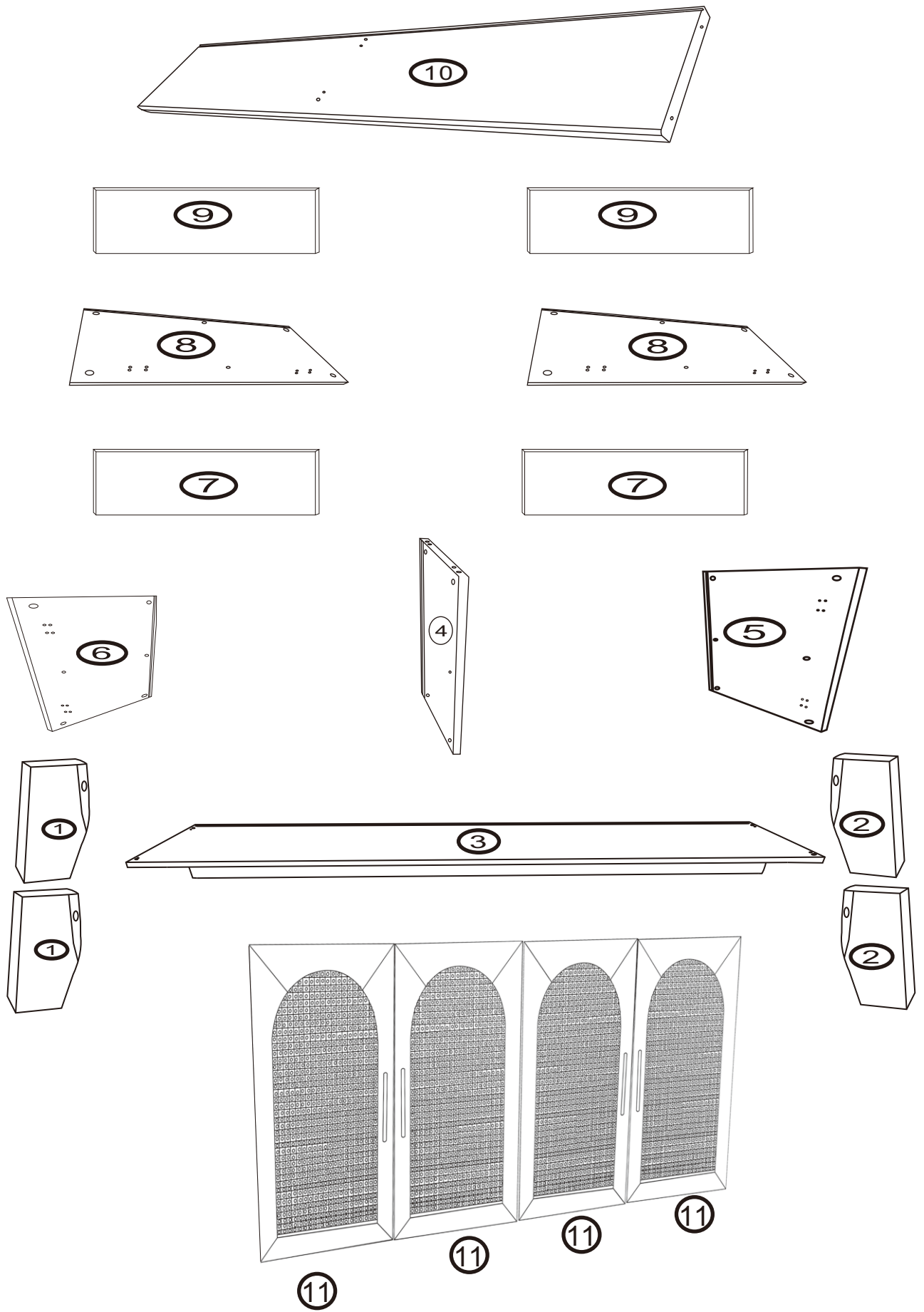
Px16



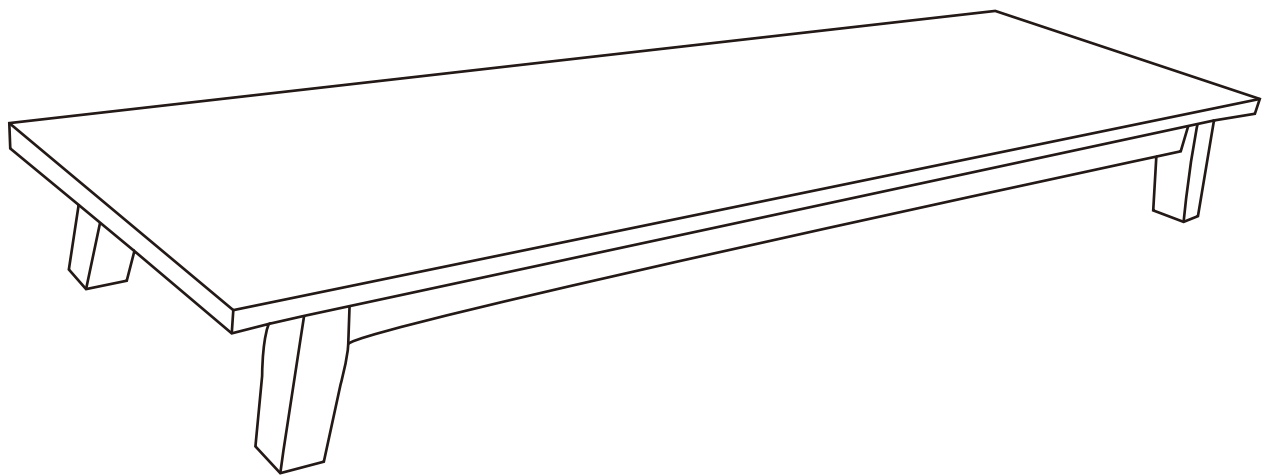
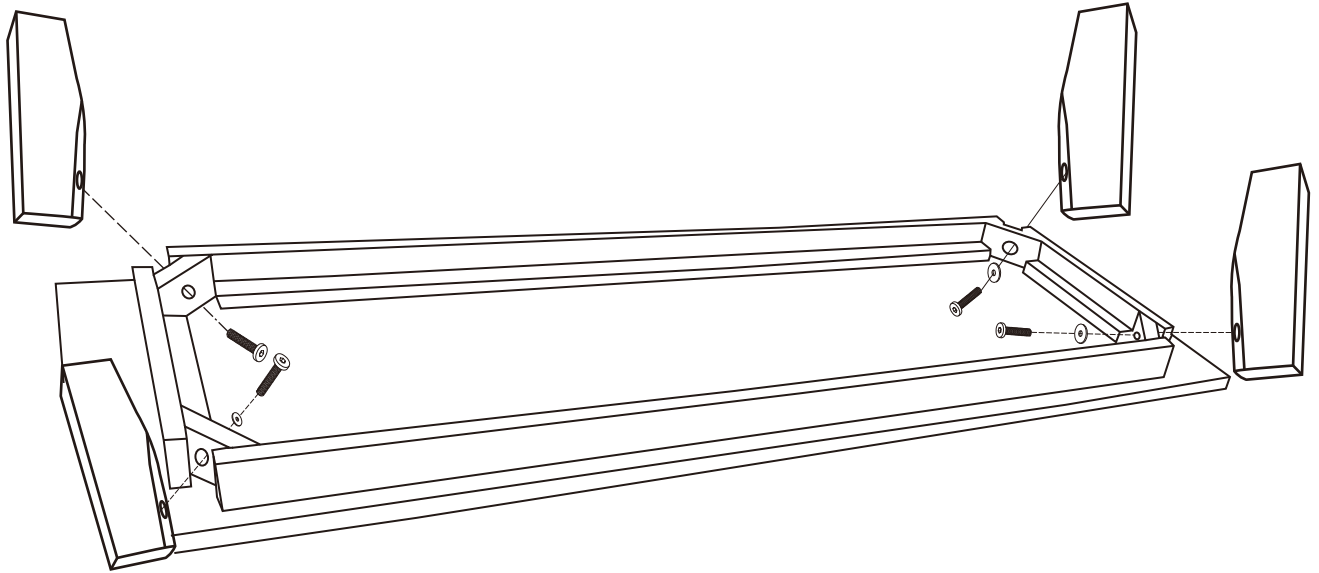
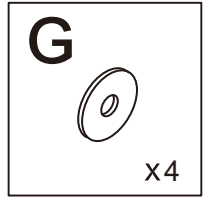
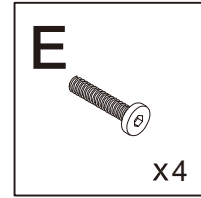
Qx16

Non incluso nella confezione
 Non included in the package
 Ni vkljucen v paket
 Nije uključeno u pakiranje

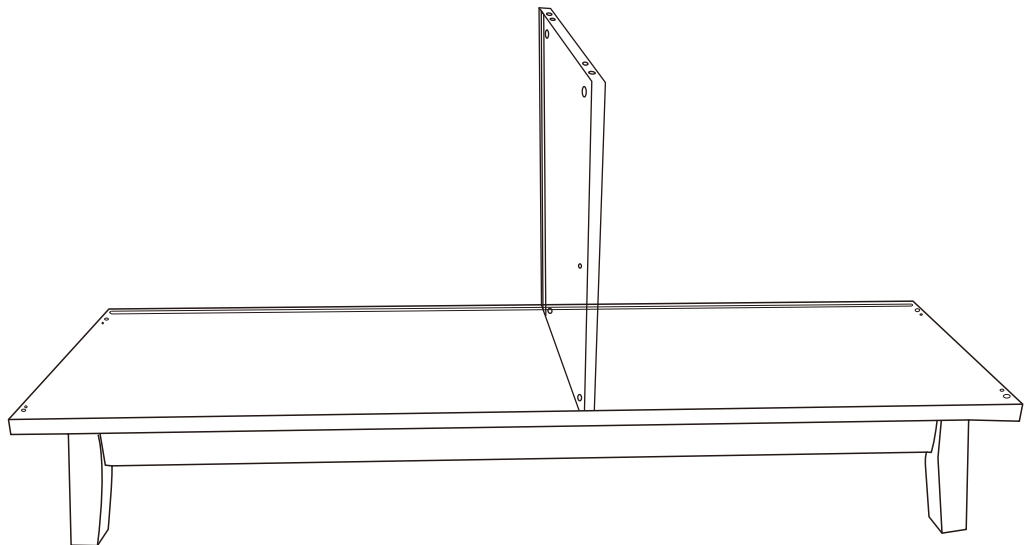
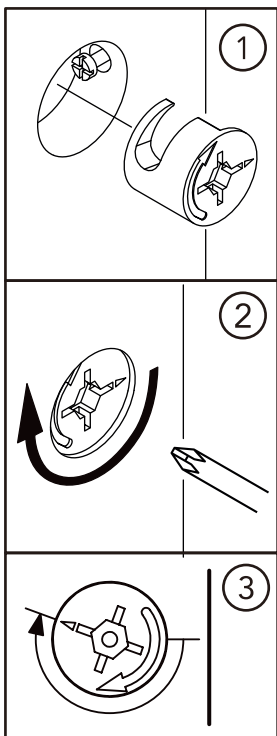
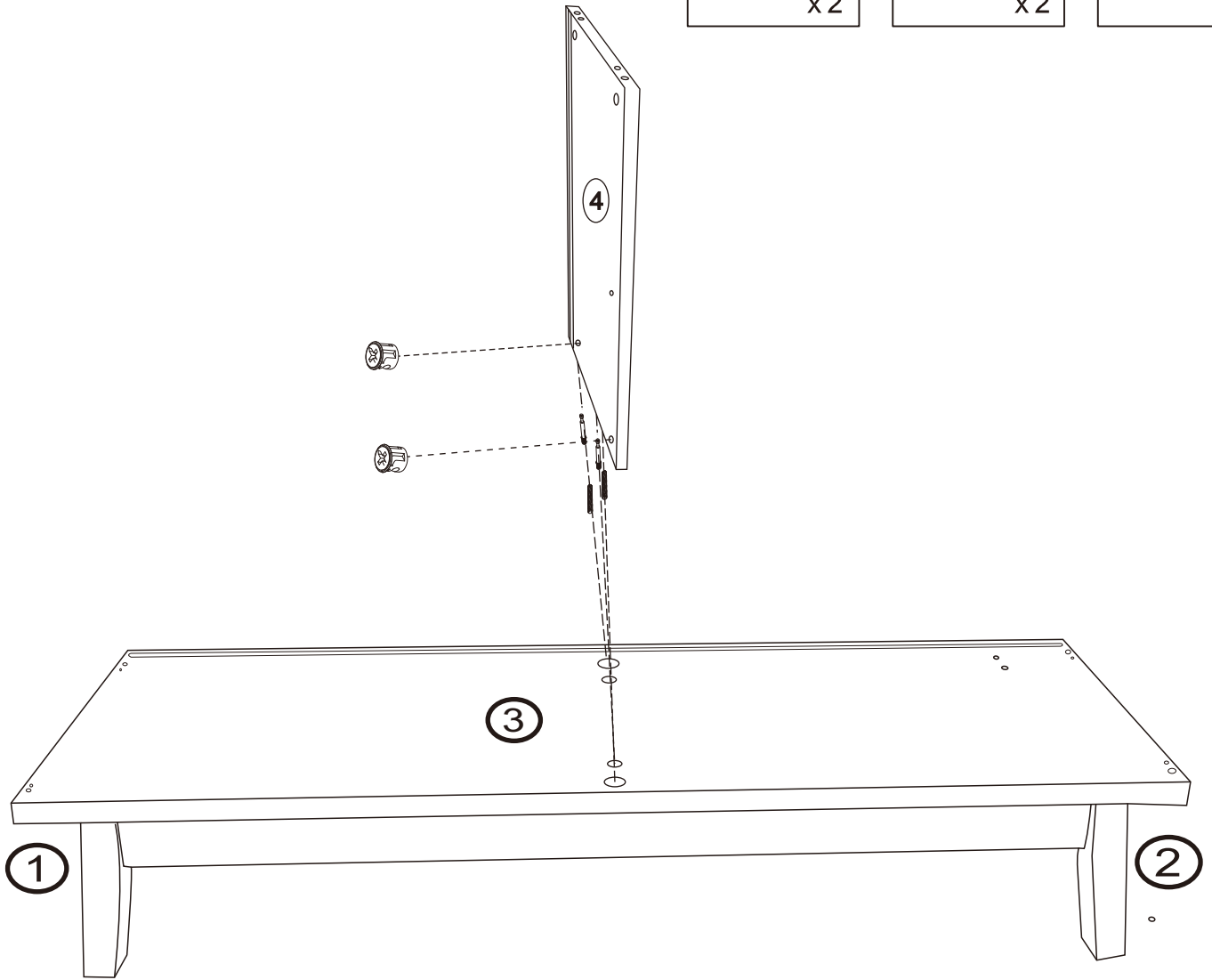
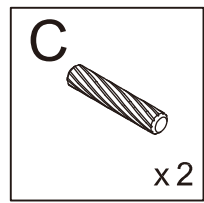
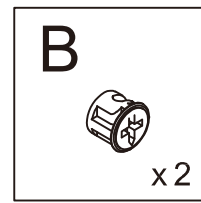
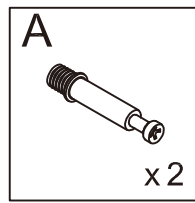




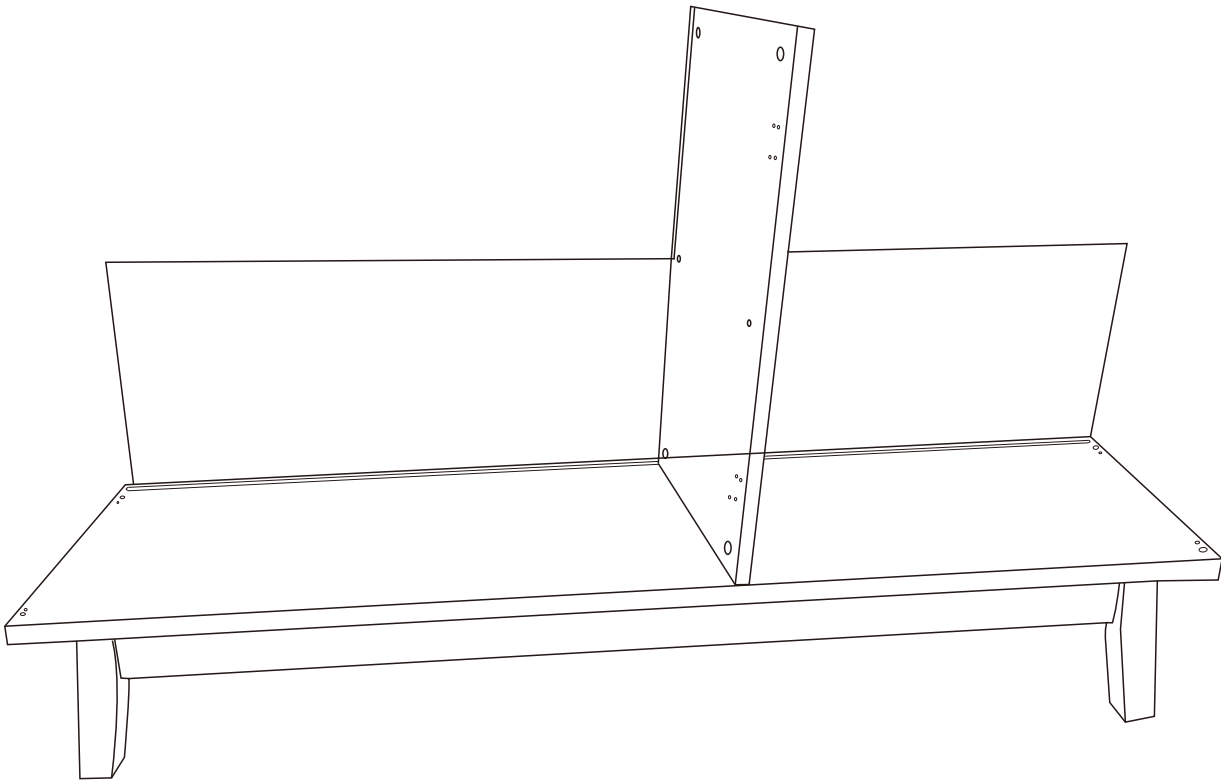
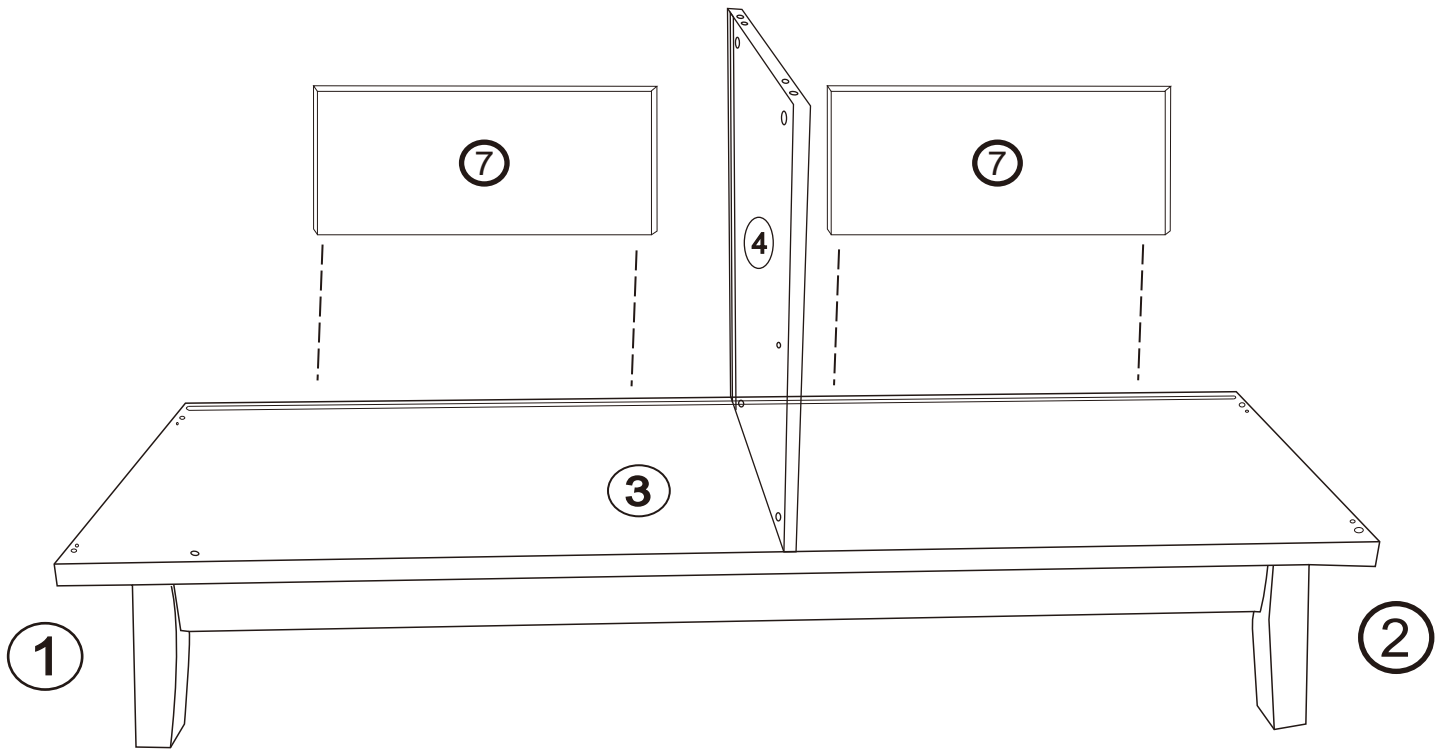
STEP 1



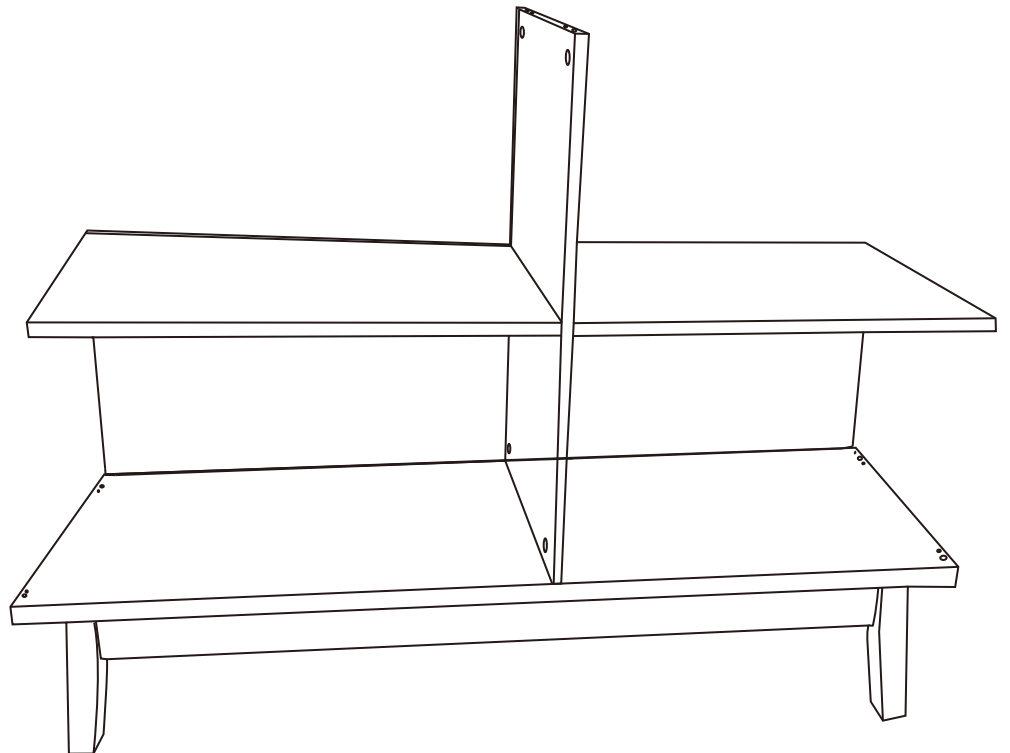
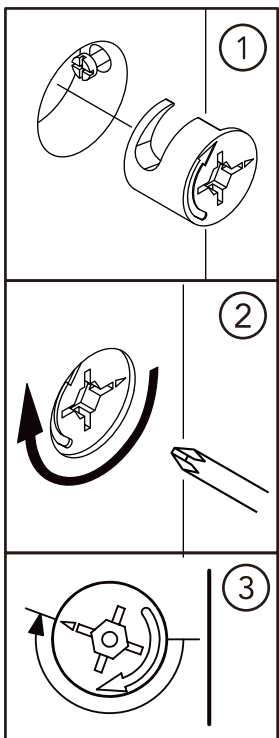
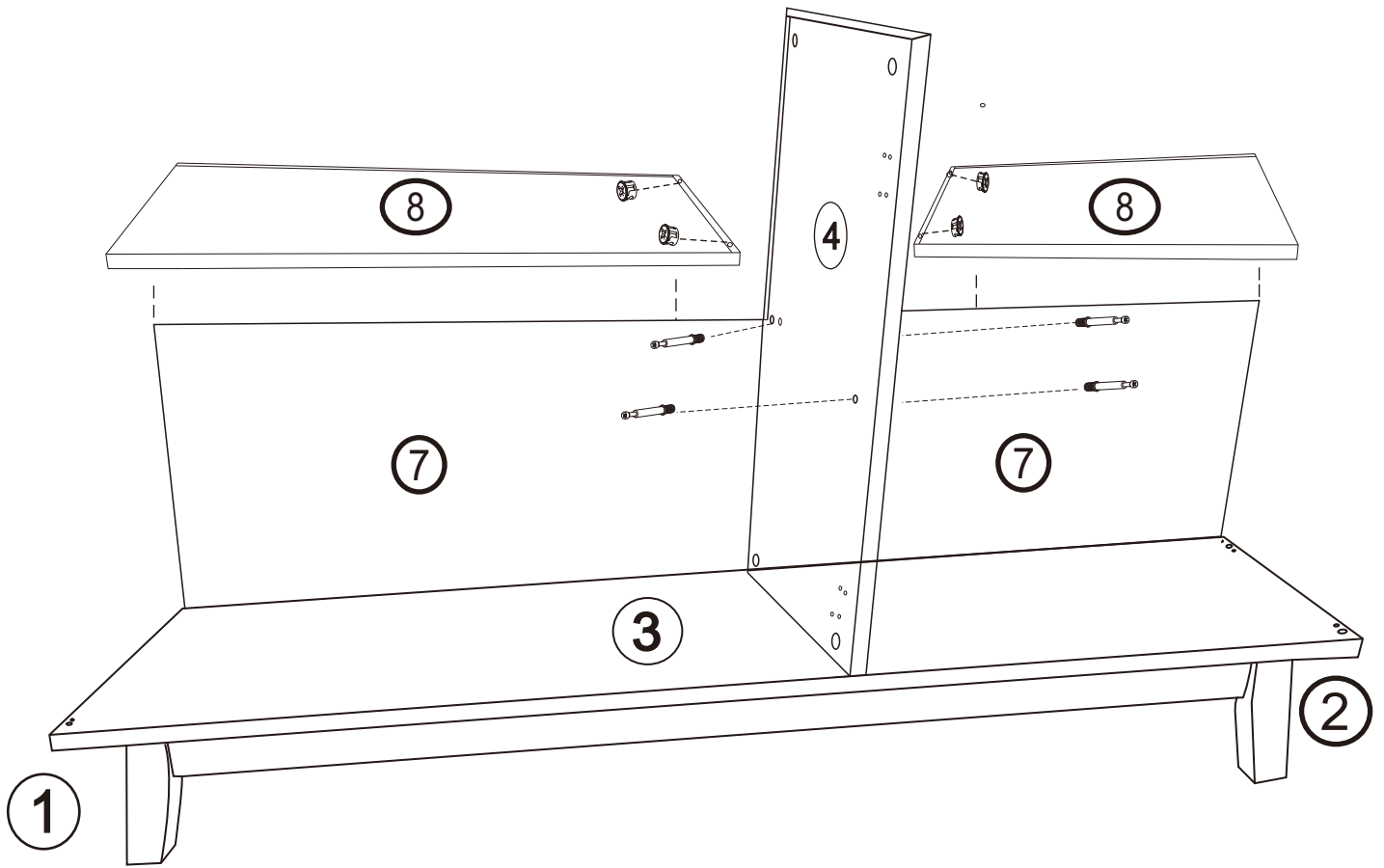
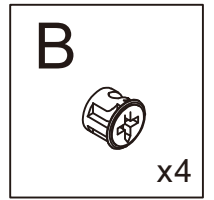
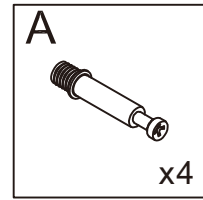
STEP 2



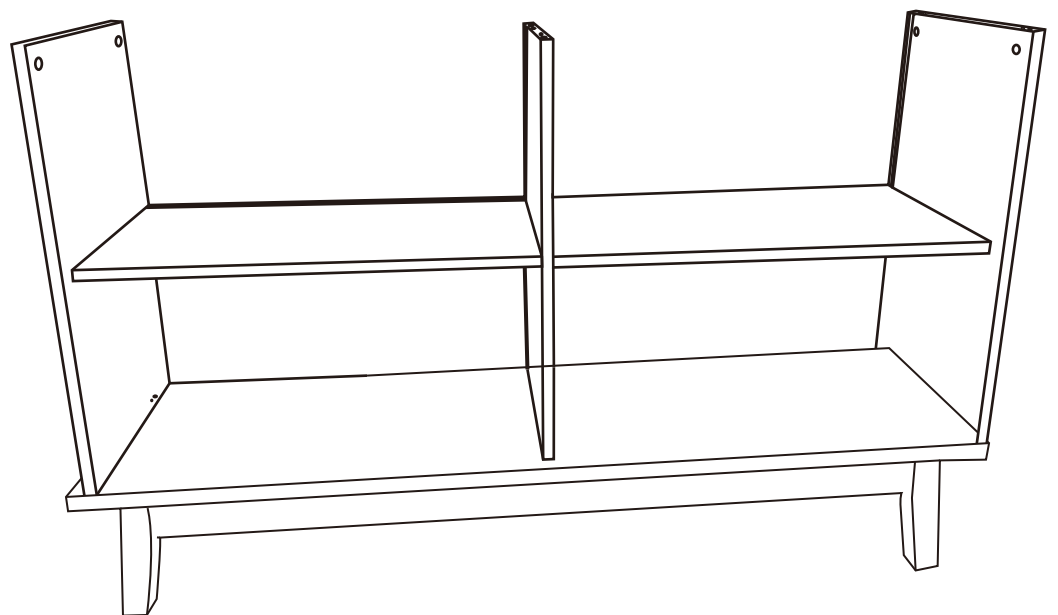
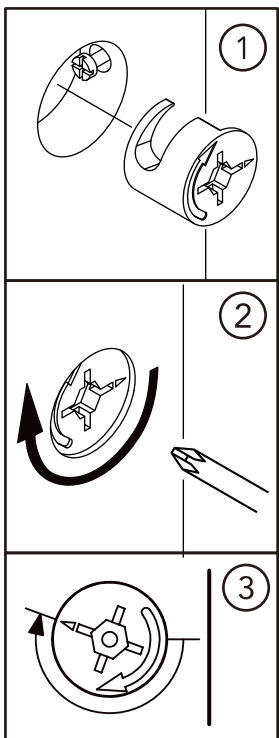
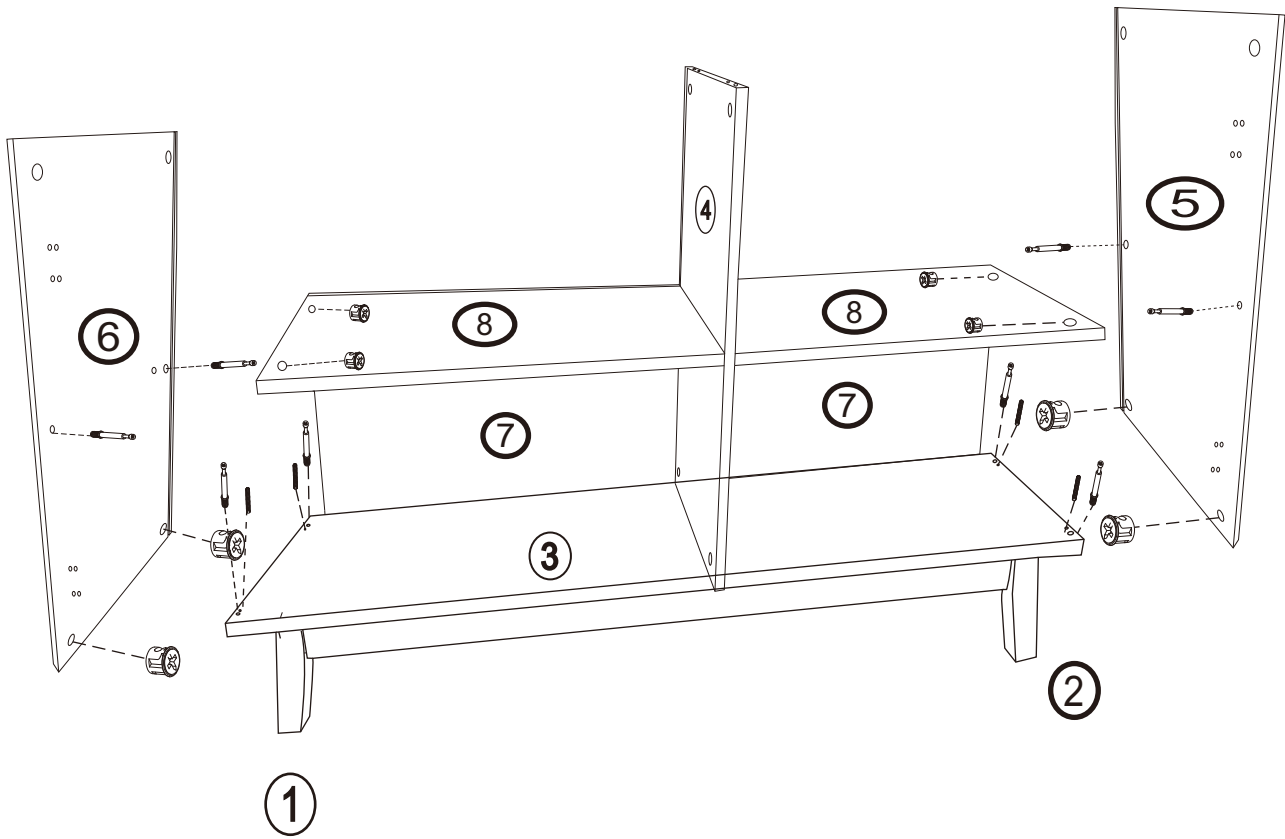
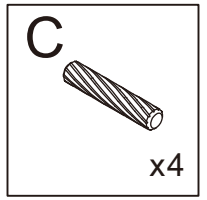
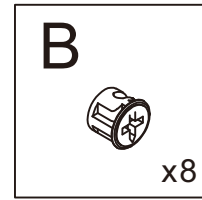
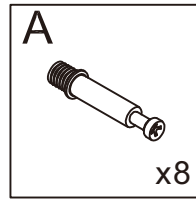
STEP 3



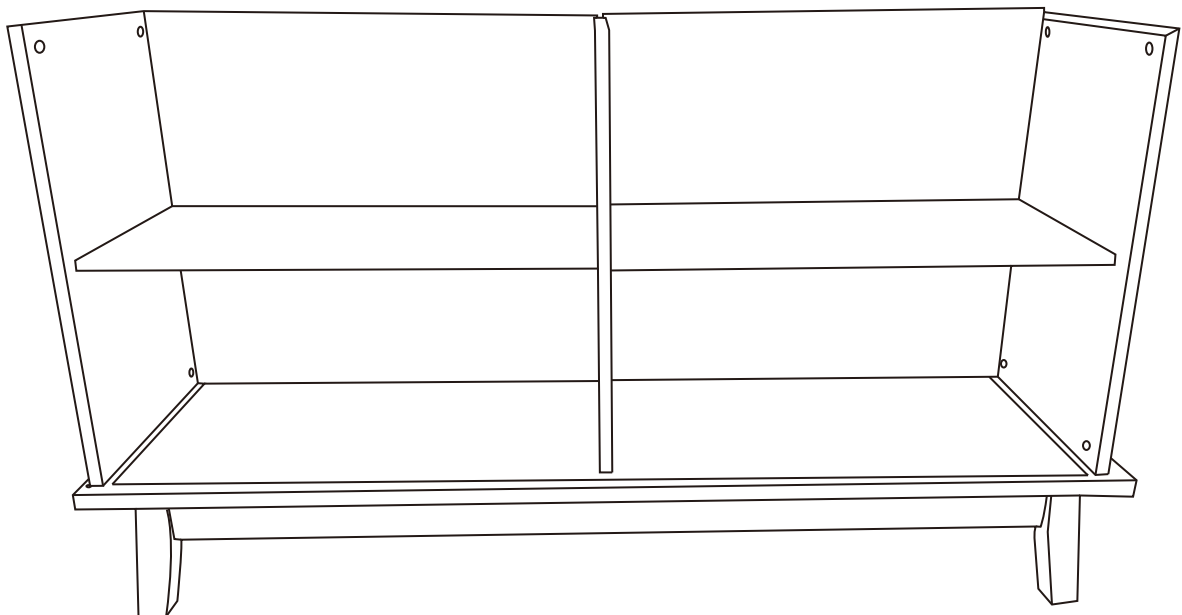
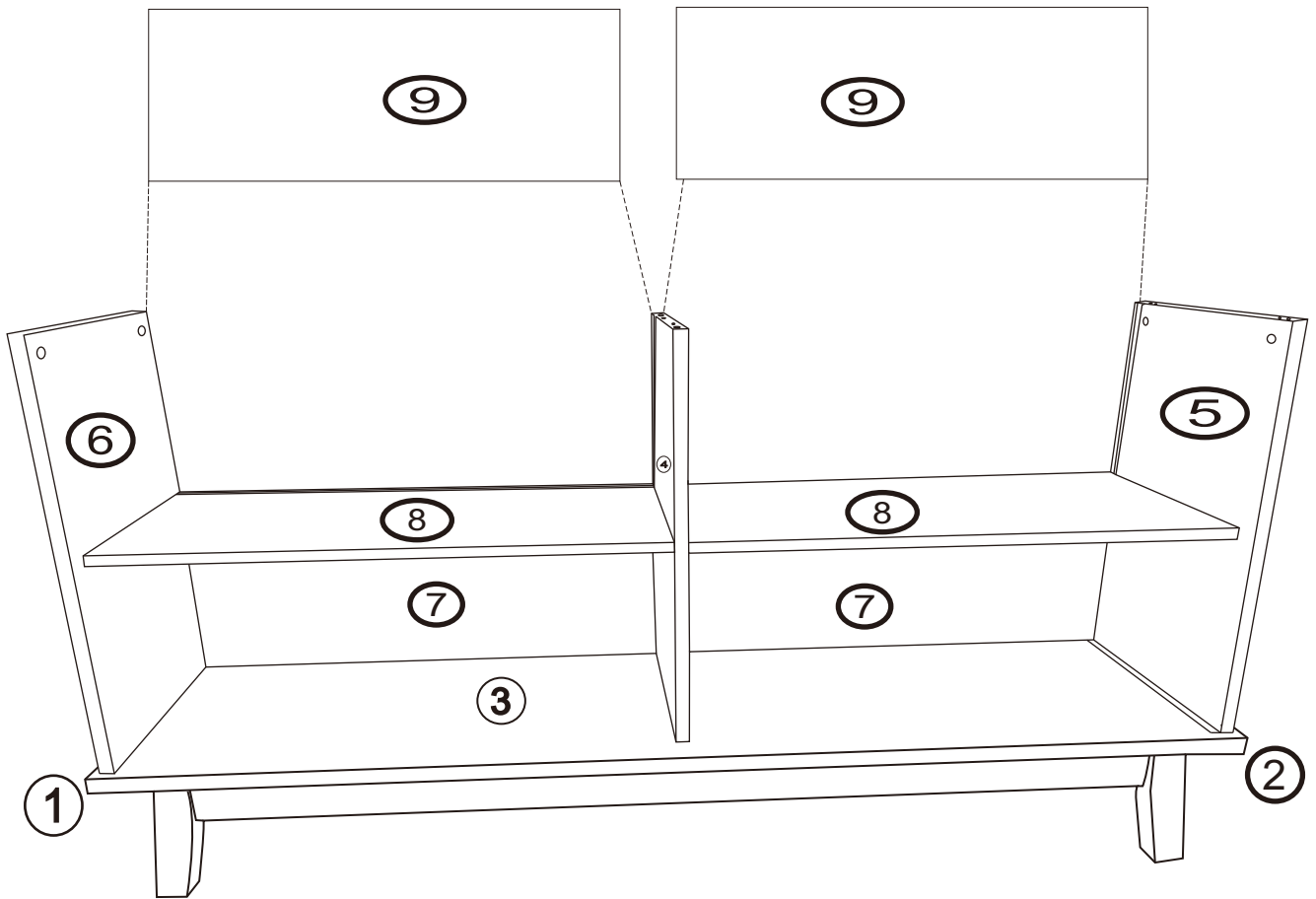
STEP 4



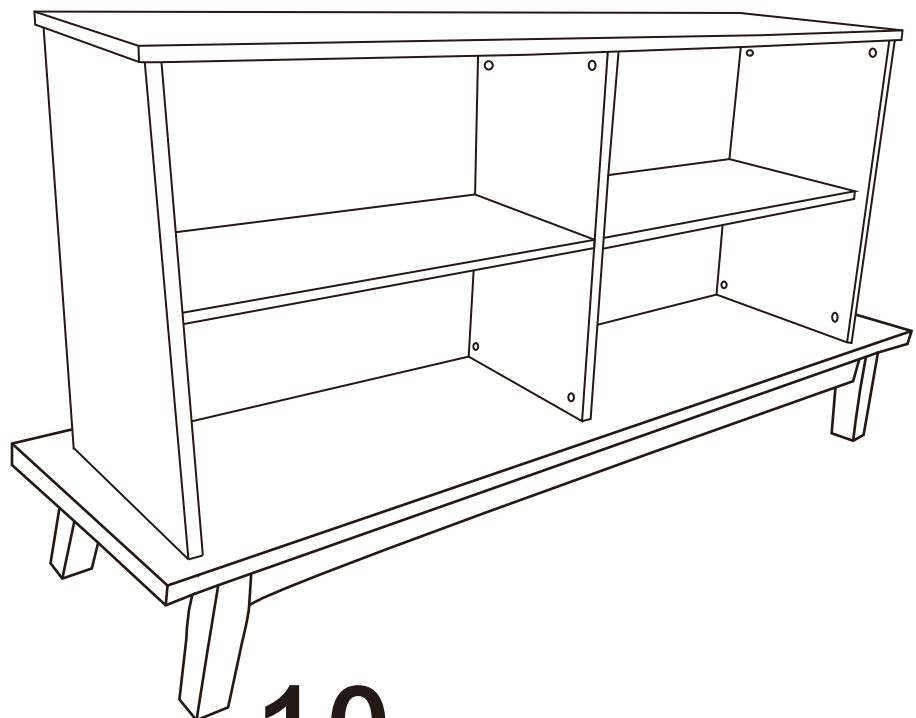
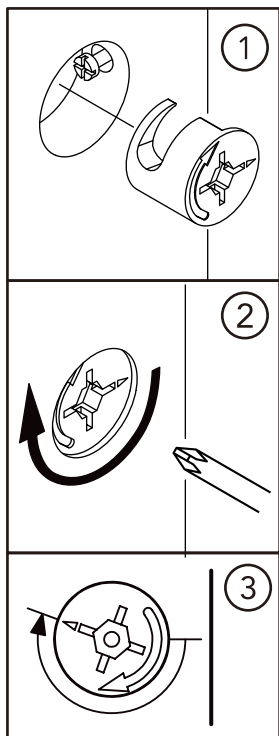
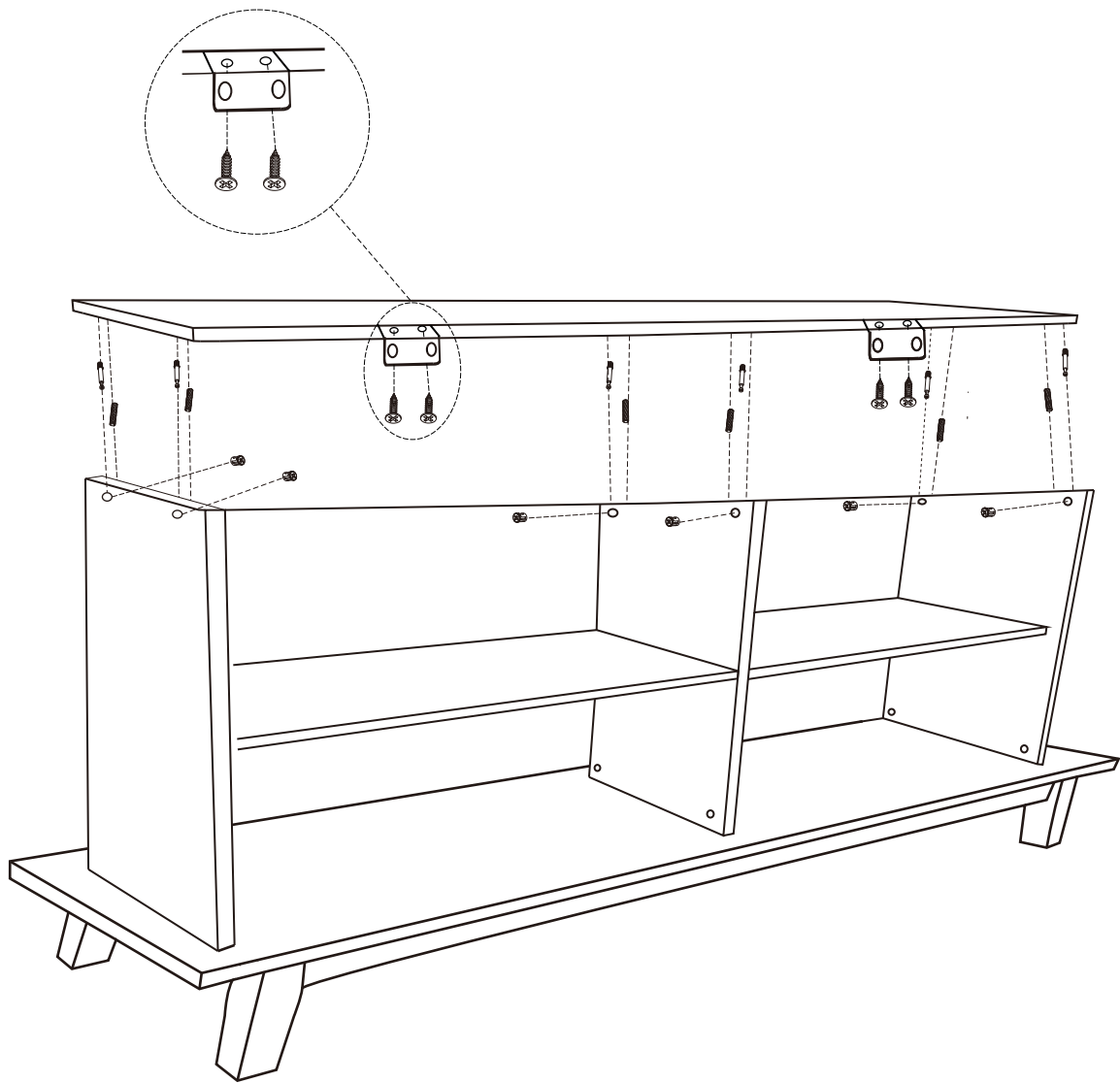
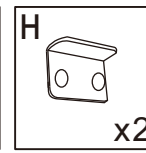
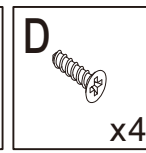
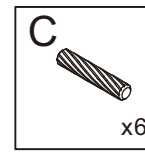
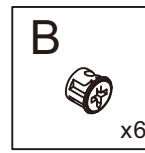
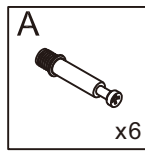
STEP 5

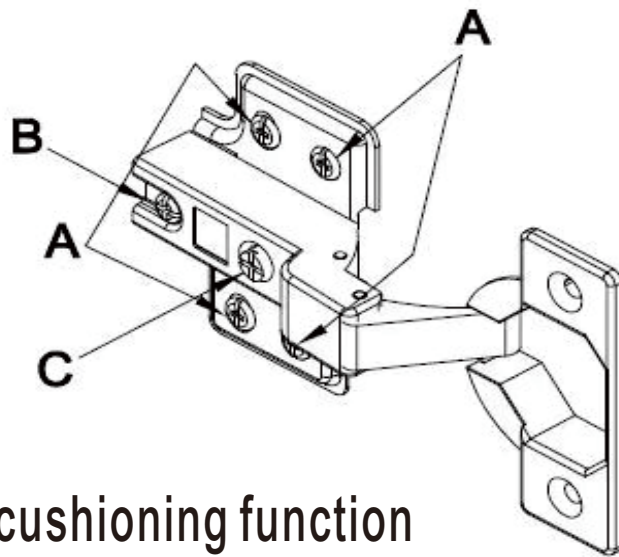


STEP 6

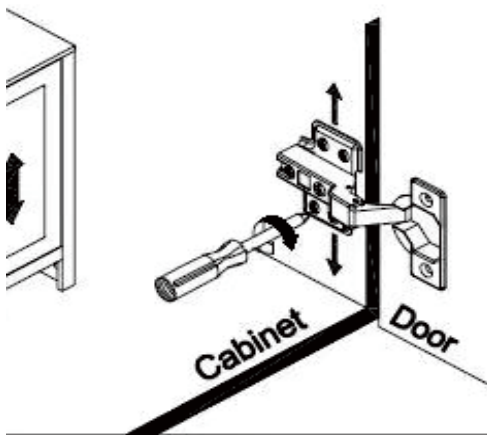


STEP 7



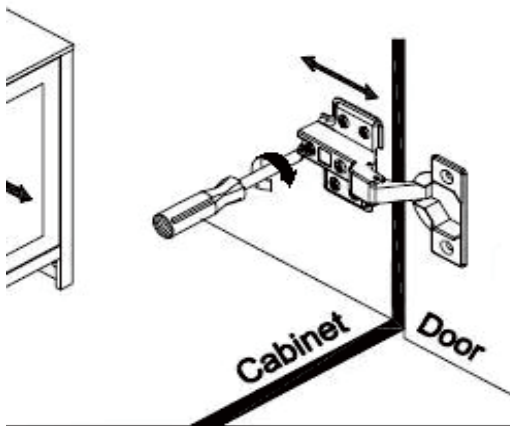


Hinges with cushioning function



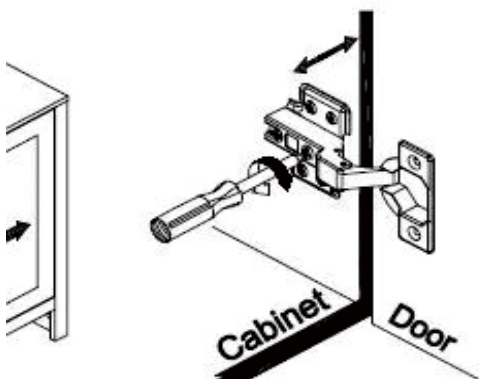
To adjust the vertical height.

Loosen the four screws "A" on both hinges. Two of them are usually in slotted holes which allows you to adjust up or down by a few mm. Then tighten back up.



To adjust depth.



Loosen screw "B" and adjust door, if the door can not be adjusted, please loosen screw "C", then try again. Tighten screw "B" and "C".

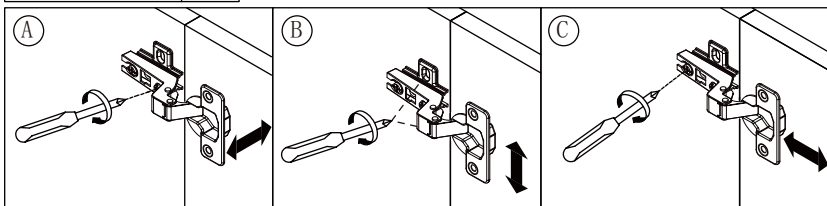
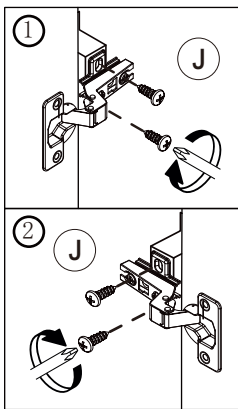
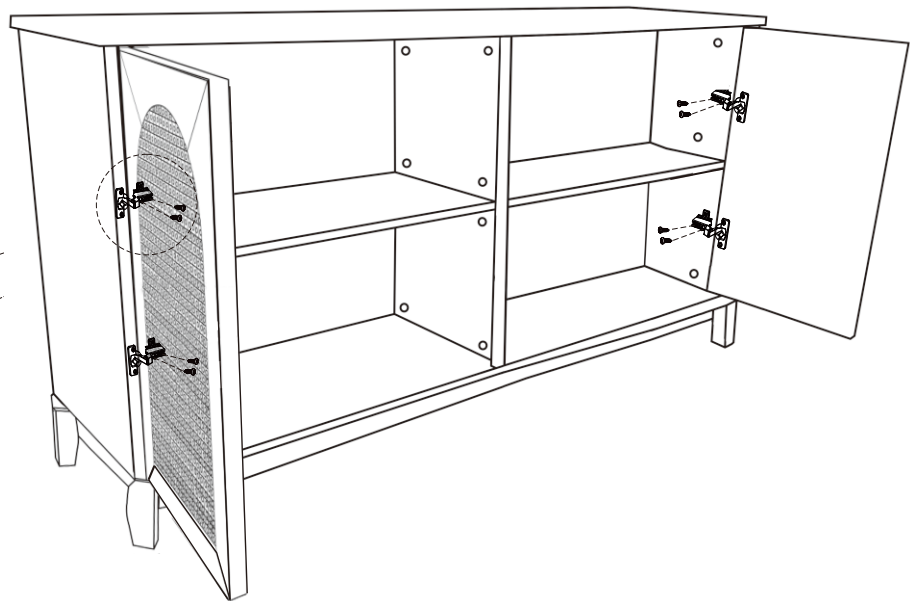
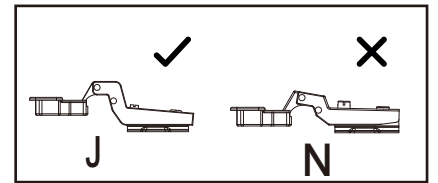
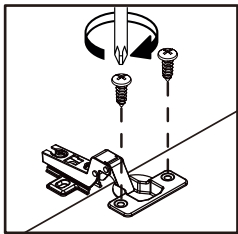
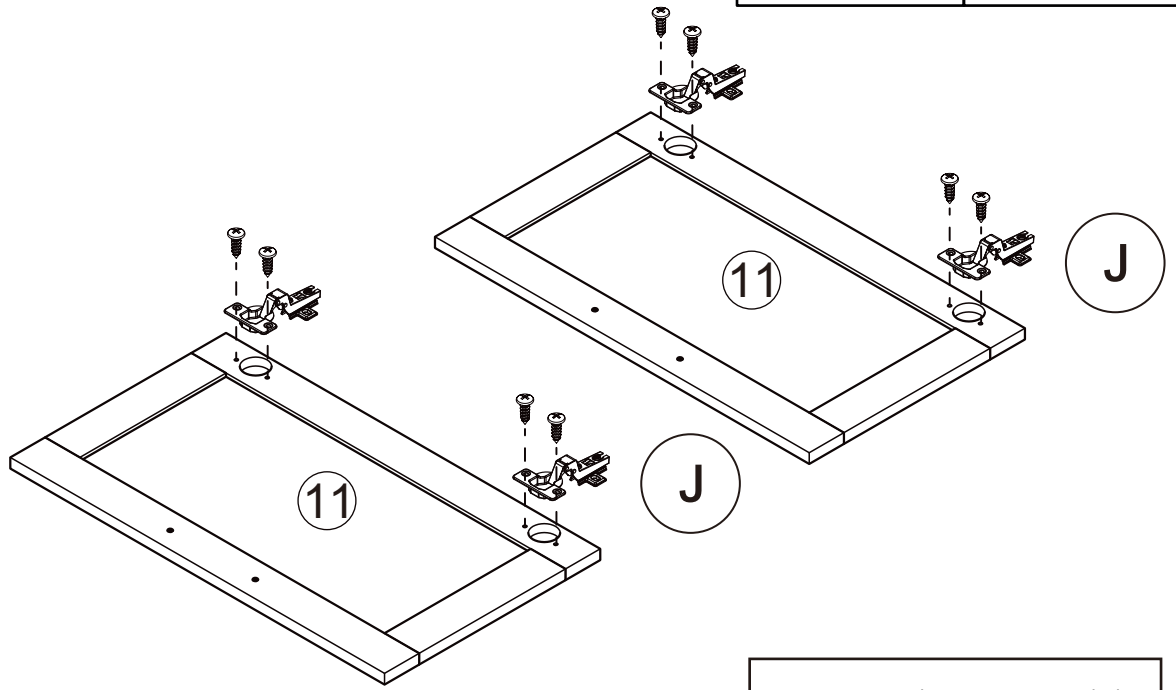


To adjust side ways.

Turning the screw "C" on BOTH hinges on each door.

STEP 8

	
Jx4	Ix24

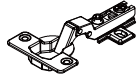



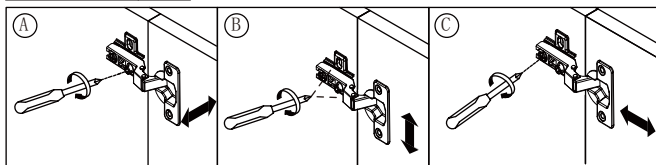
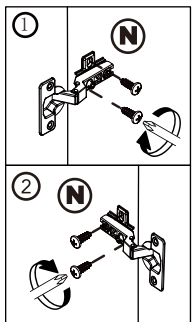
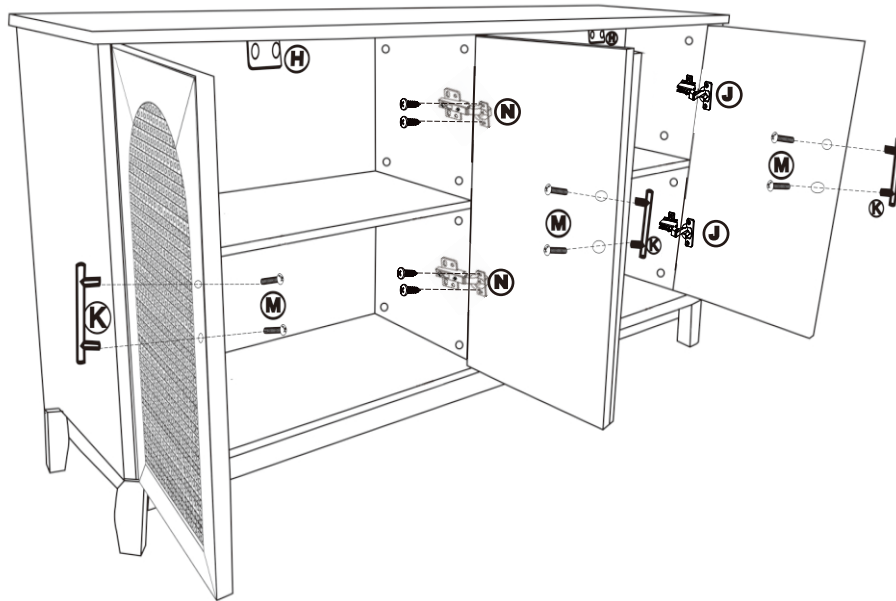
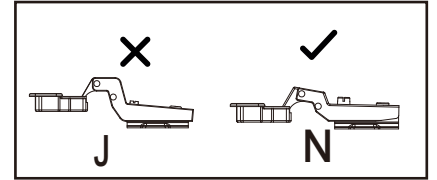
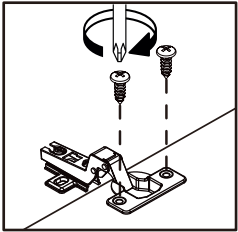
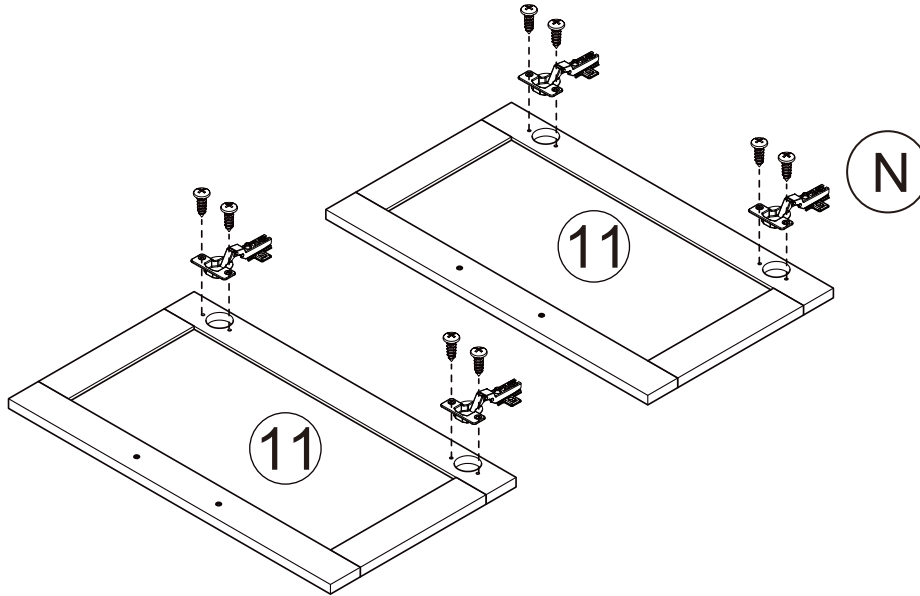
A. Lateral adjustment by screw adjusting

B. Vertical adjustment via slot in the mounting plate

C. Front-to-Back by slacking the hinge arm mounting screw

STEP 9

	
N x4	1x24



- A. Lateral adjustment by screw adjusting
- B. Vertical adjustment via slot in the mounting plate
- C. Front-to-Back by slacking the hinge arm mounting screw

STEP 10

