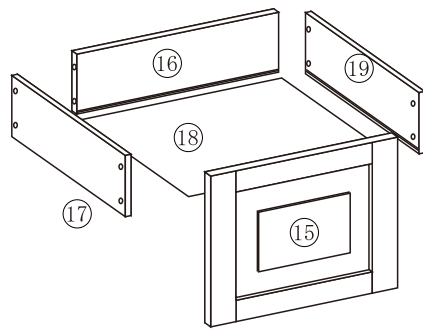
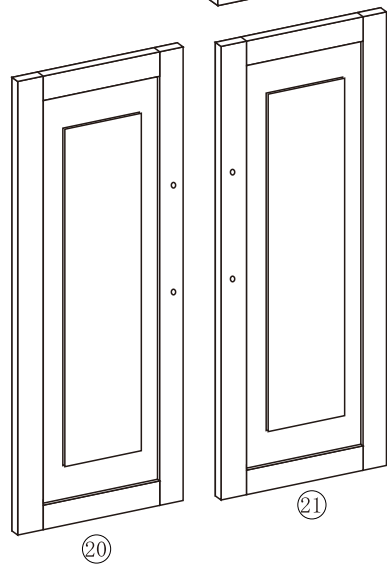
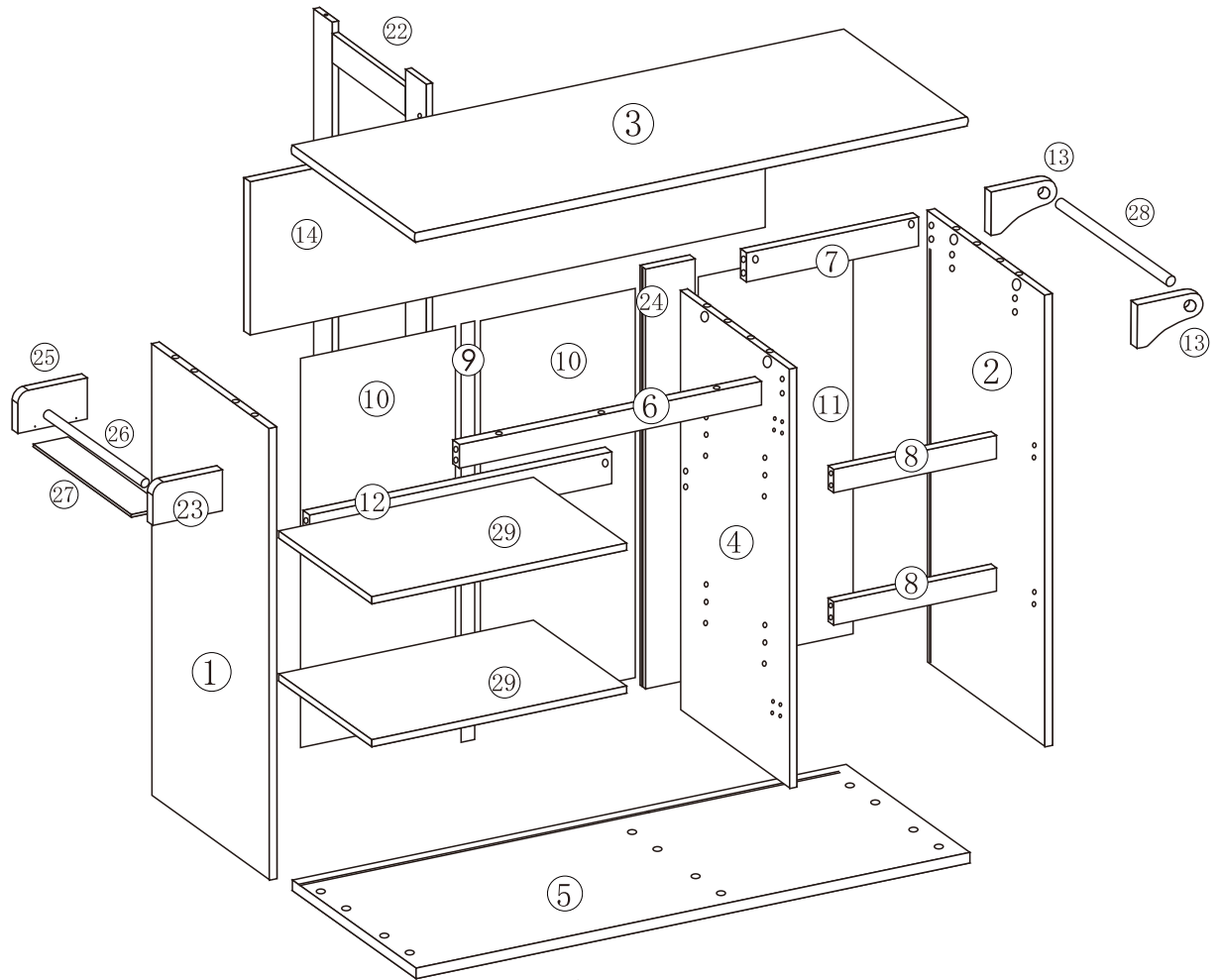
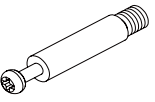
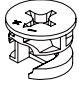
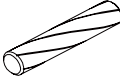
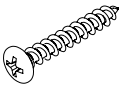
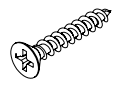
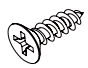

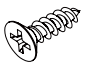
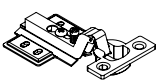
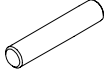
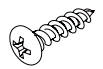

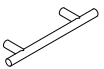
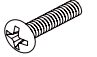
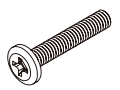

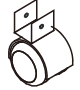


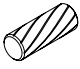
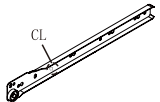
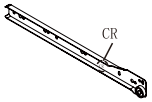
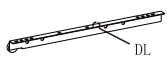
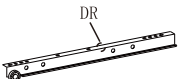


Attention please :
Improper use of screws may cause the product surface damage!
Please be careful when installing.

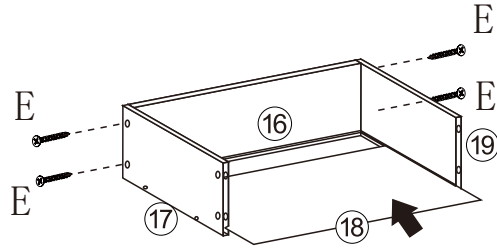


x3

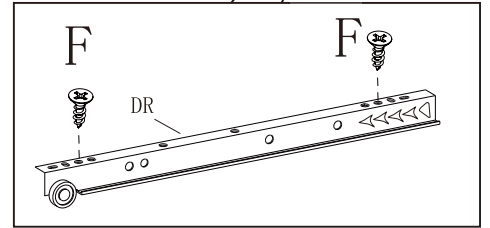
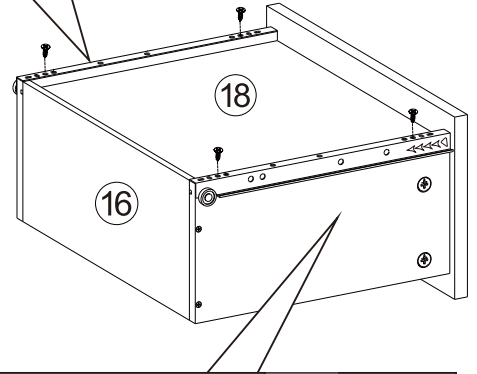
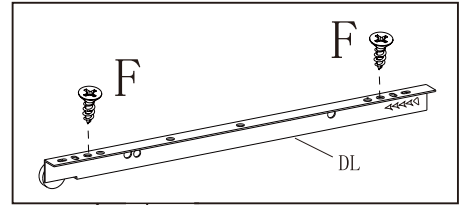
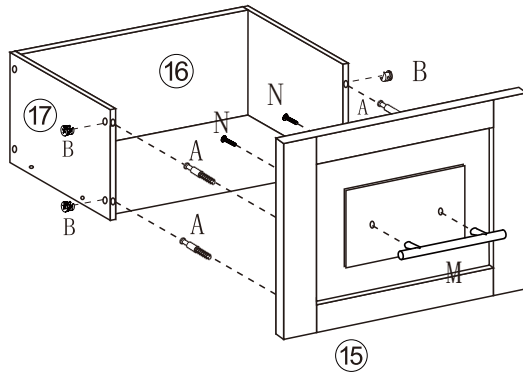
<p>A x30</p> 	<p>B x30</p> 	<p>C x26</p> 	<p>D x19</p>  <p>M4x35mm</p>	<p>E x12</p>  <p>M4x30mm</p>	<p>F x54</p>  <p>M3x12mm</p>	<p>G x5</p> 
<p>H x24</p>  <p>M4x14mm</p>	<p>I x4</p> 	<p>J x8</p> 	<p>K x20</p>  <p>M5x14mm</p>	<p>L x2</p> 	<p>M x3</p> 	<p>N x10</p>  <p>M4x20mm</p>
<p>O x1</p>  <p>M6x25mm</p>	<p>P x1</p>  <p>6x10mm</p>	<p>Q x1</p> 	<p>R x2</p> 	<p>S x3</p> 	<p>T x1</p> 	<p>CL x3</p>  <p>CL</p>
<p>CR x3</p>  <p>CR</p>	<p>DL x3</p>  <p>DL</p>	<p>DR x3</p>  <p>DR</p>				

Connect Panel 17&19 to 16 with Hardware E
 Insert Panel 18 along the slots of 17&19

x3



Install Hardware M on 15 with N
 Fix Hardware A to Panel 15



Connect Panel 15 to 17&19 with Hardware A,
 and Lock with Hardware B
 Install Hardware DL/DR on 17/19 with F.



Ax12



Bx12



Ex12



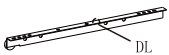
Fx12



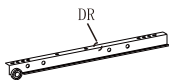
Mx3



Nx6

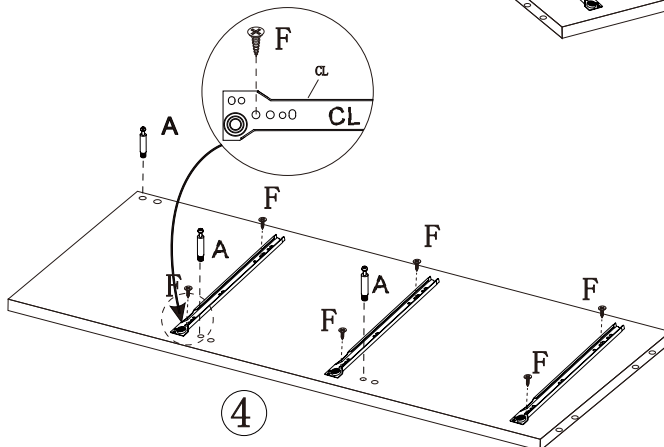
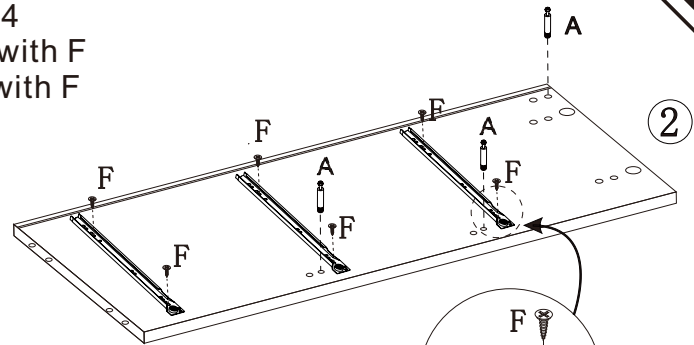


DLx3



DRx3

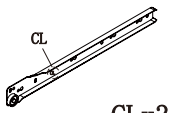
Fix Hardware A to Panel 2/4
 Install Hardware CR on 2 with F
 Install Hardware CL on 4 with F



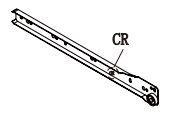
Ax6



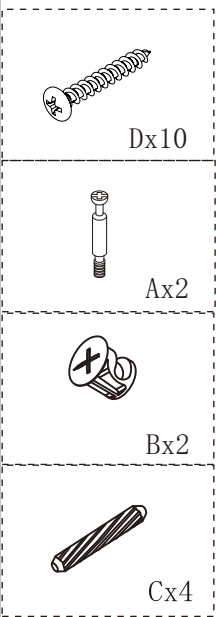
Fx12



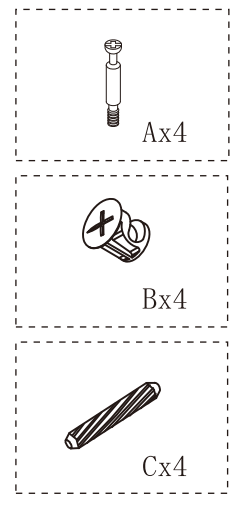
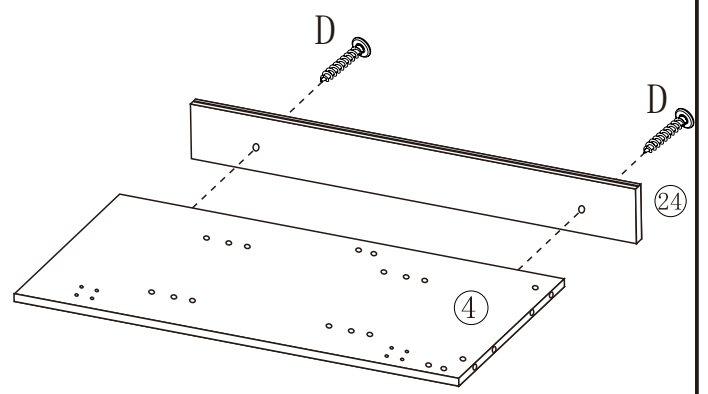
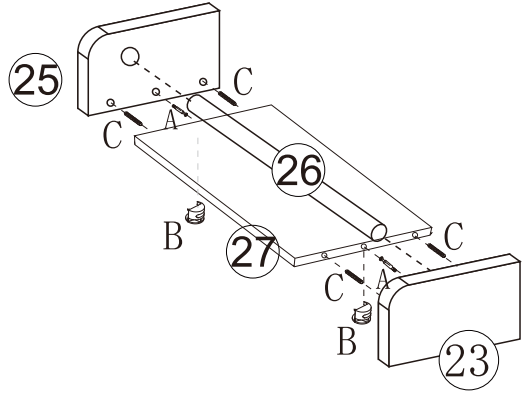
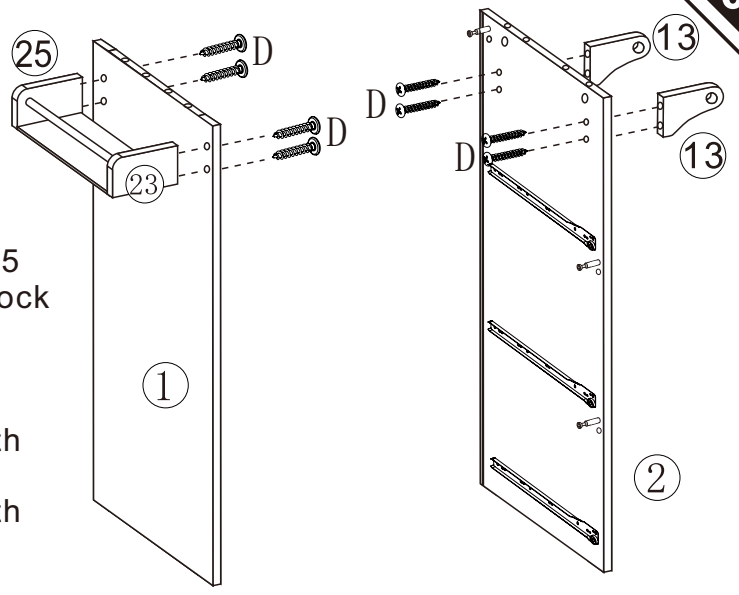
CLx3



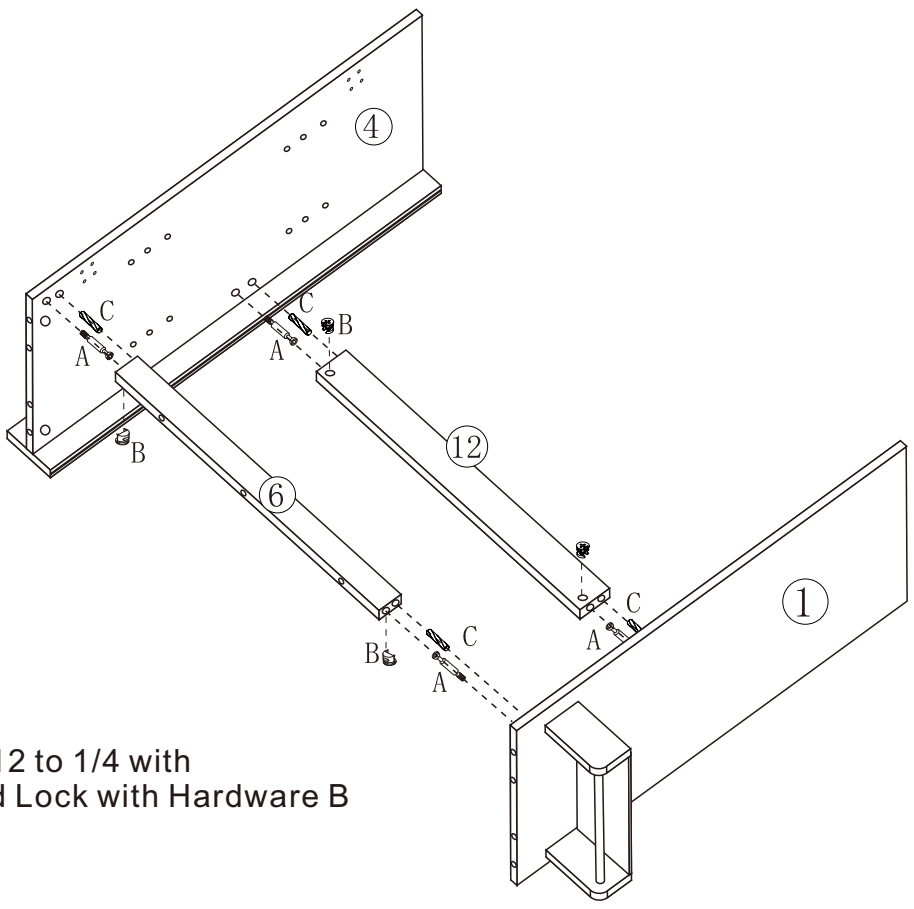
CRx3

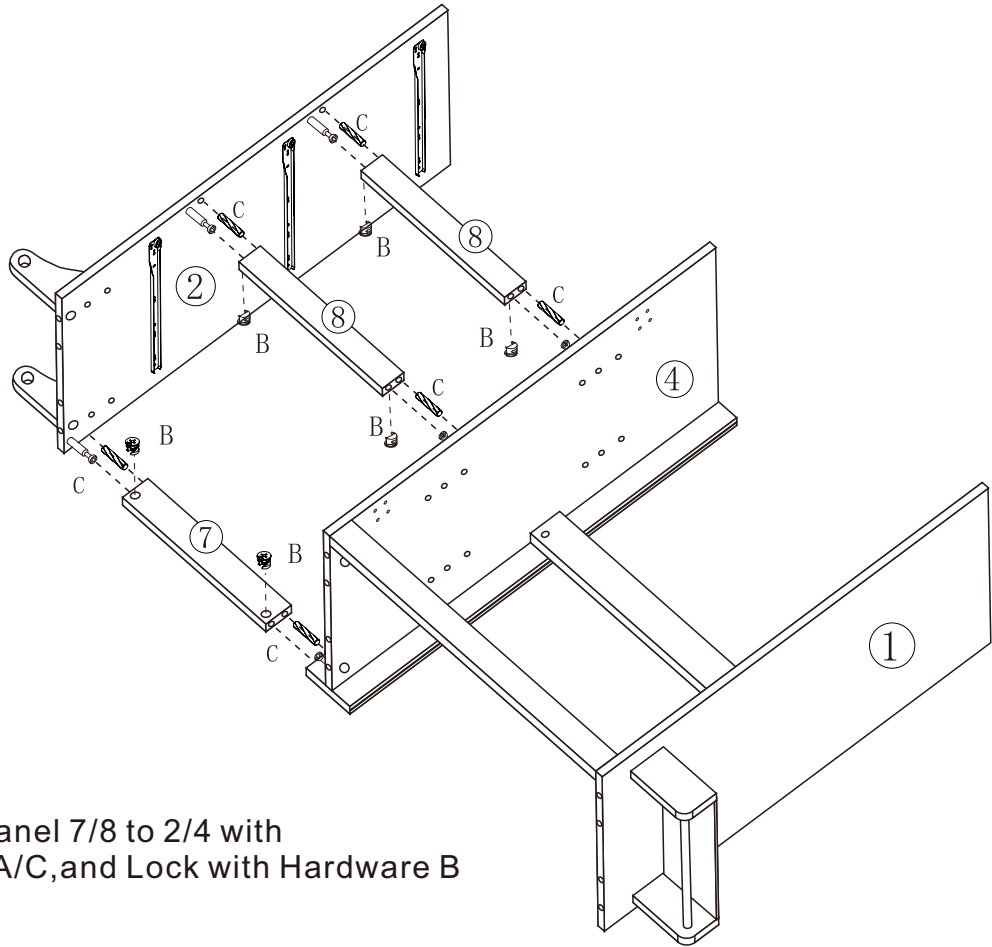
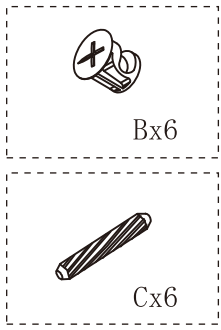


Fix Hardware A/C to Panel 23/25.
Put Round stick 26 between 23/25
Connect Panel 27 to 23/25 with Hardware A/C, and Lock with Hardware B
Connect Panel 23/25 to 1 with Hardware D
Connect Panel 13 to 2 with Hardware D
Connect Panel 24 to 4 with Hardware D

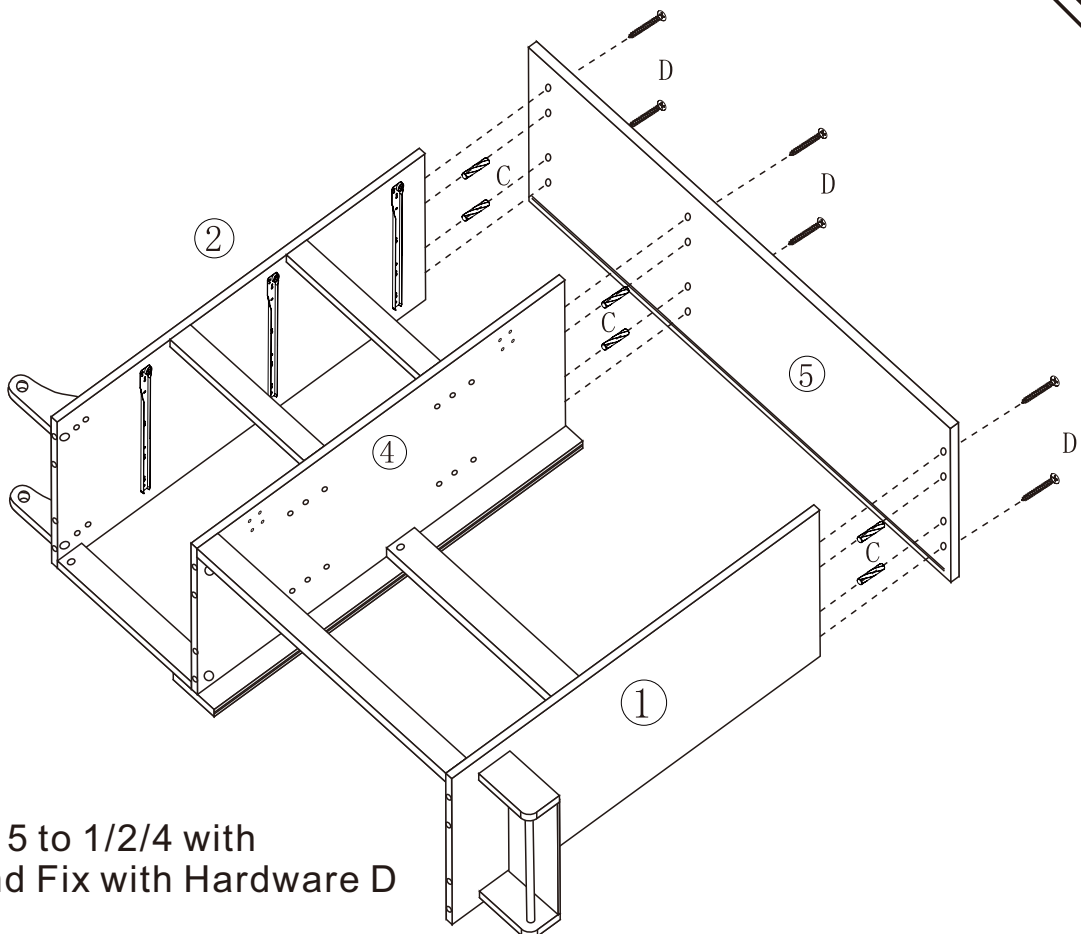
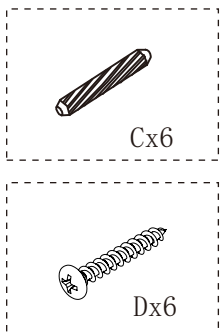


Connect Panel 6/12 to 1/4 with Hardware A/C, and Lock with Hardware B

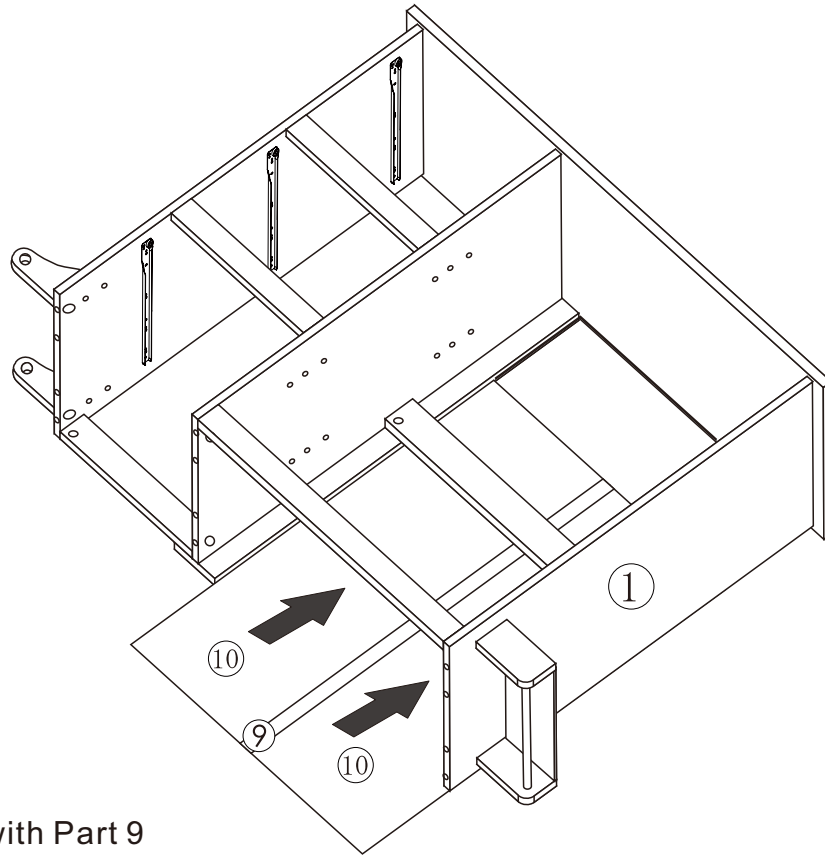




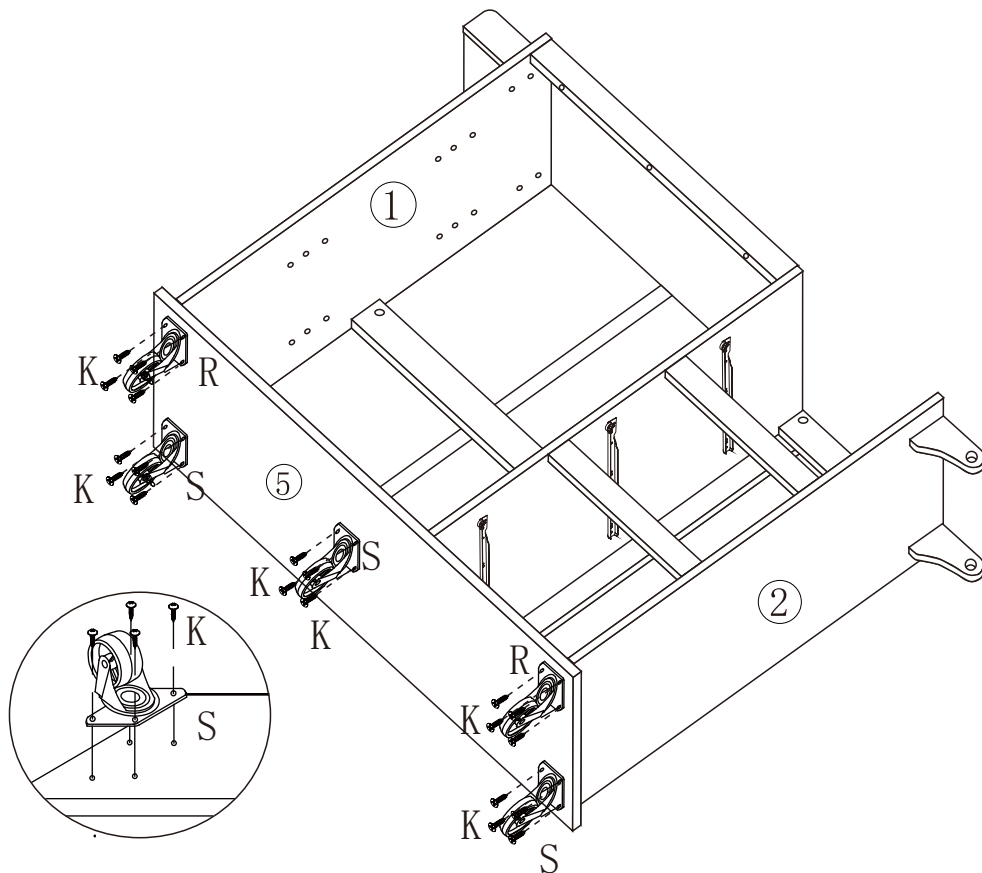
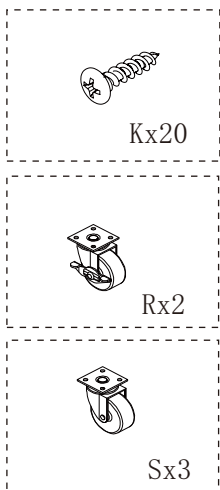
Connect Panel 7/8 to 2/4 with Hardware A/C, and Lock with Hardware B



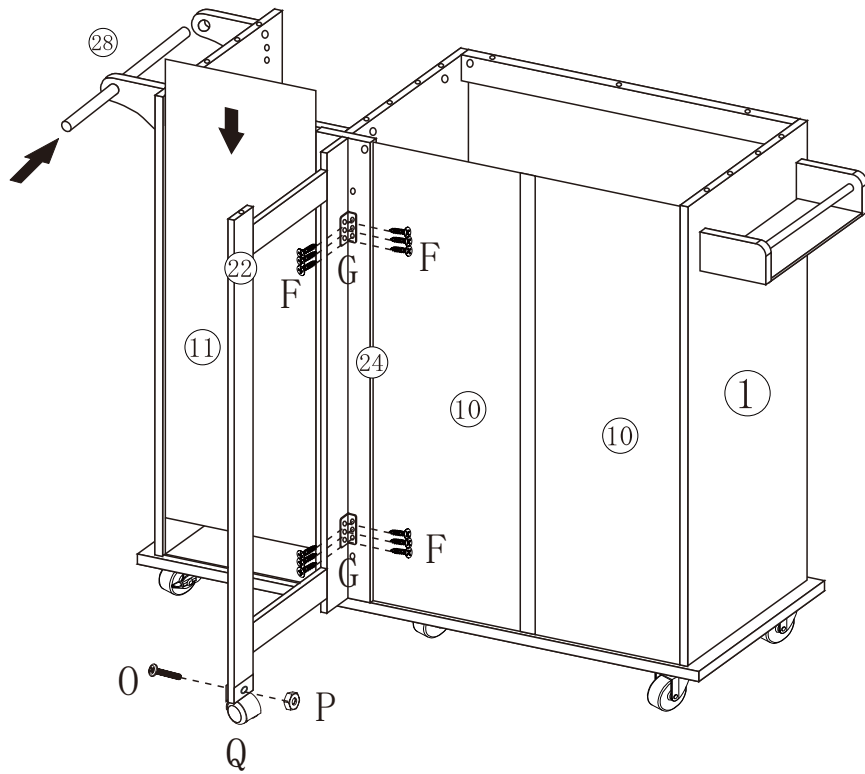
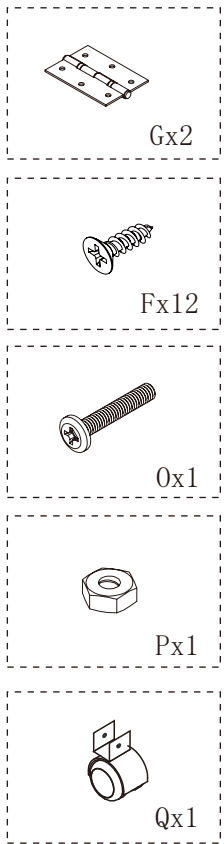
Connect Panel 5 to 1/2/4 with Hardware C, and Fix with Hardware D



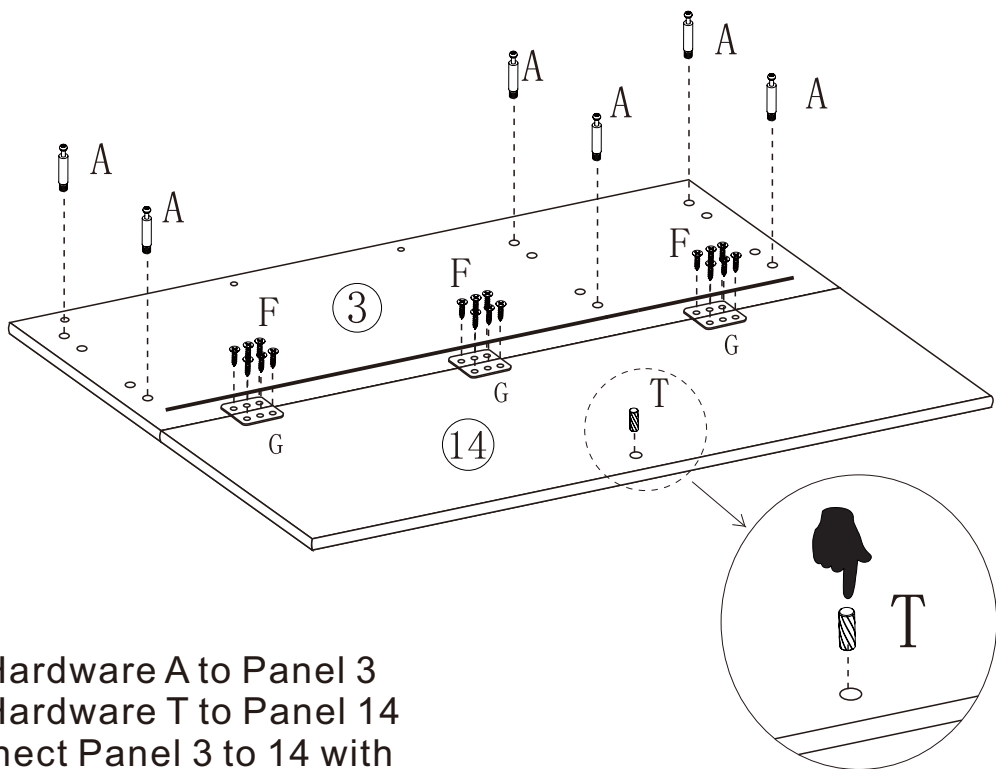
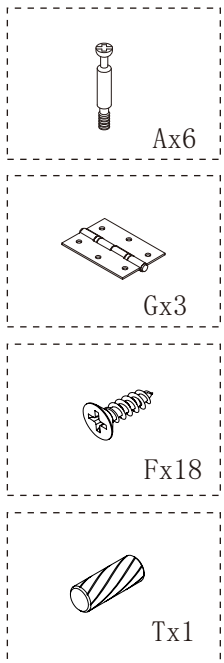
Connect Panel 10 with Part 9
Insert Panel 10 along the slots of 1/4



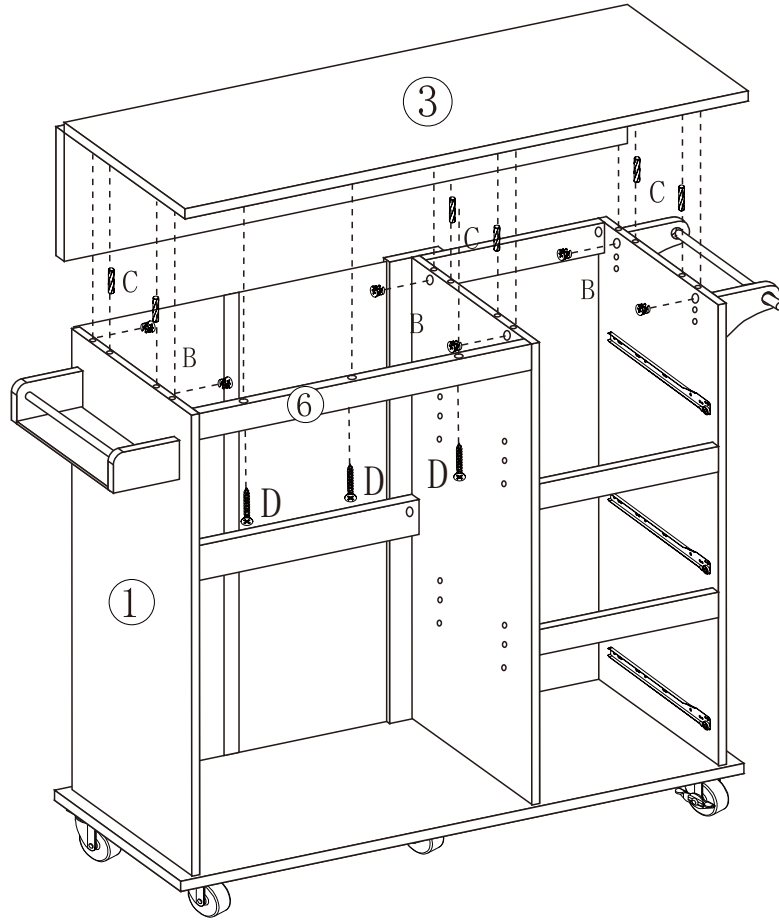
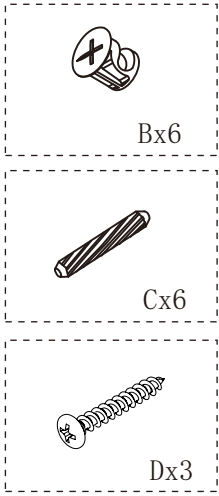
Install Hardware R/S on 5 with K



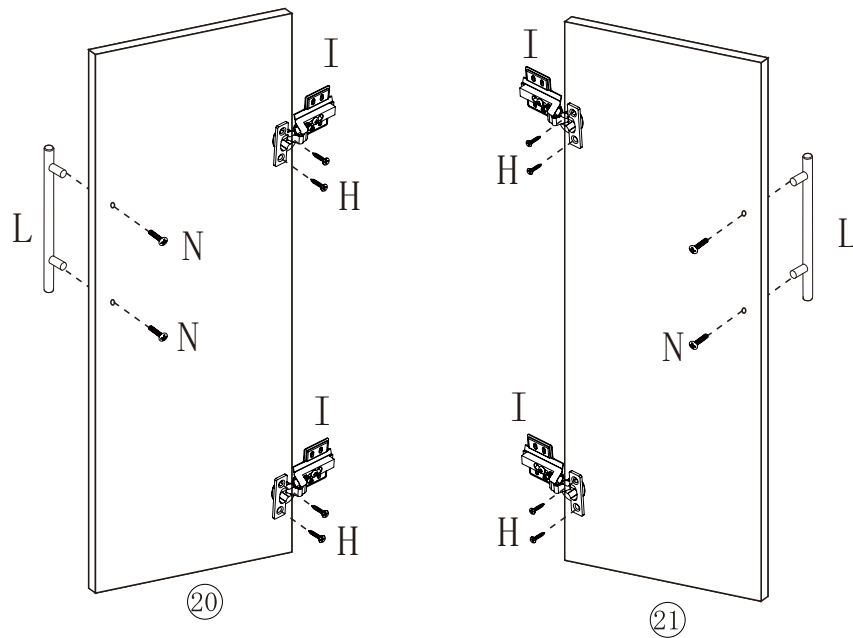
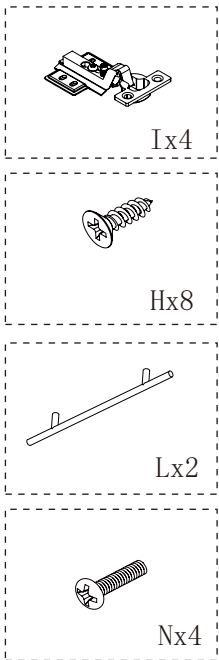
Put Round stick 28 between 13
 Install Hardware Q on 22 with O/P
 Connect Panel 22 to 24 with Hardware G,
 and Fix with Hardware F
 Insert Panel 11 along the slots of 2/4



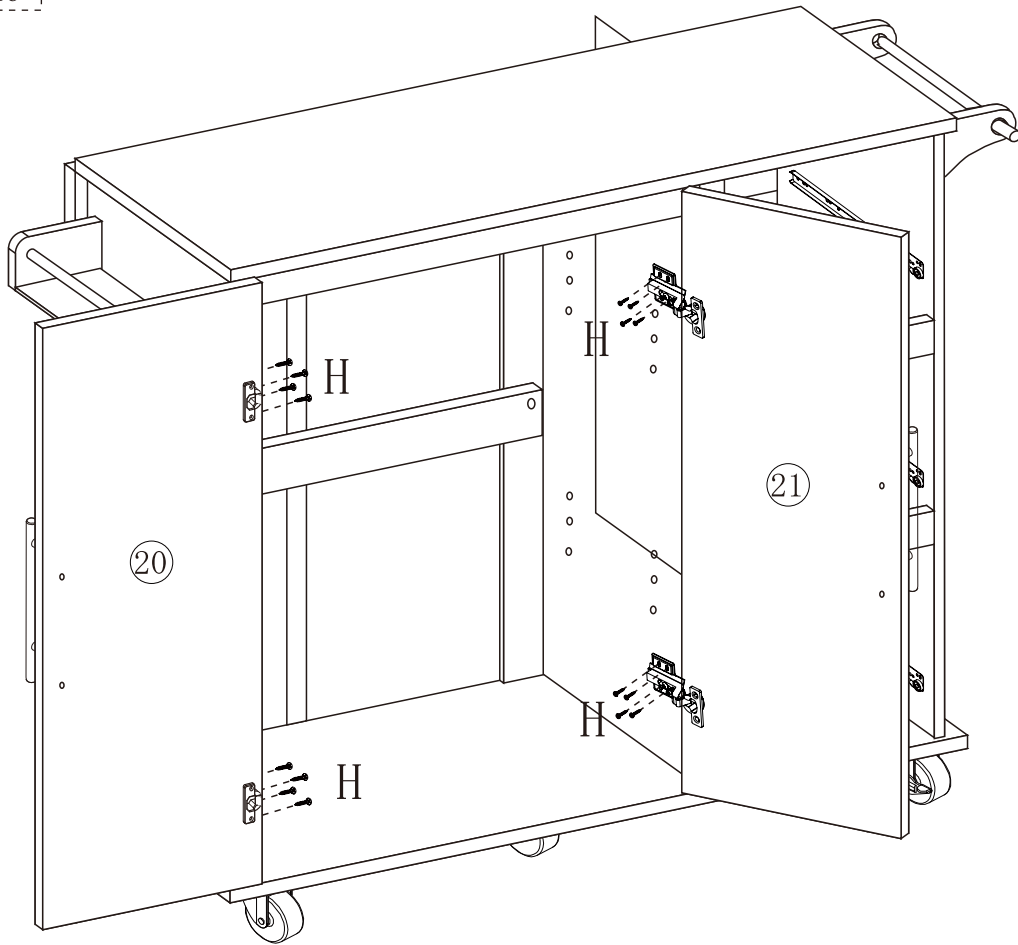
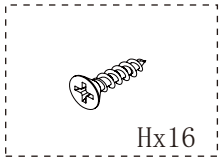
Fix Hardware A to Panel 3
 Fix Hardware T to Panel 14
 Connect Panel 3 to 14 with
 Hardware G, and Fix with Hardware F



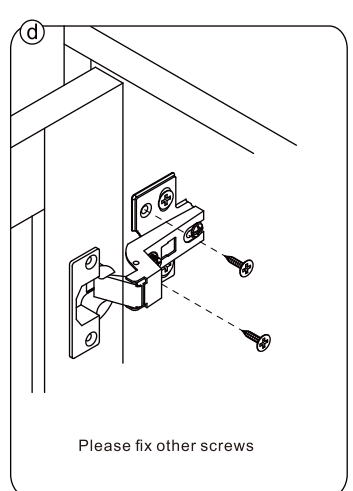
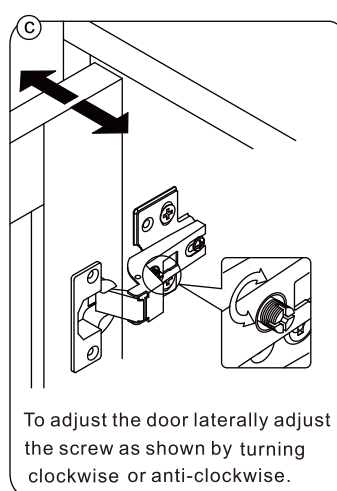
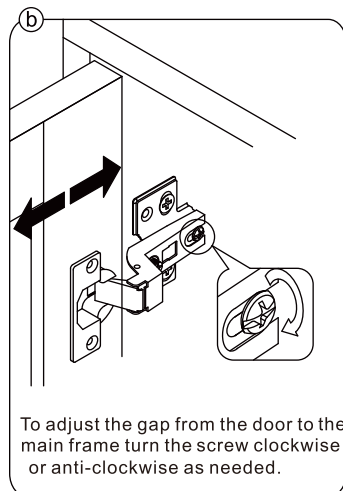
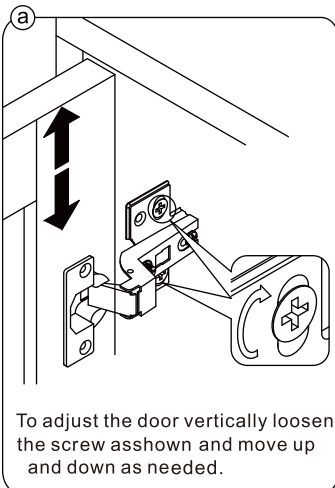
Connect Panel 3 to 1/2/4 with Hardware A/C, and Lock with Hardware B
 Fix Panel 6 to 3 with Hardware G

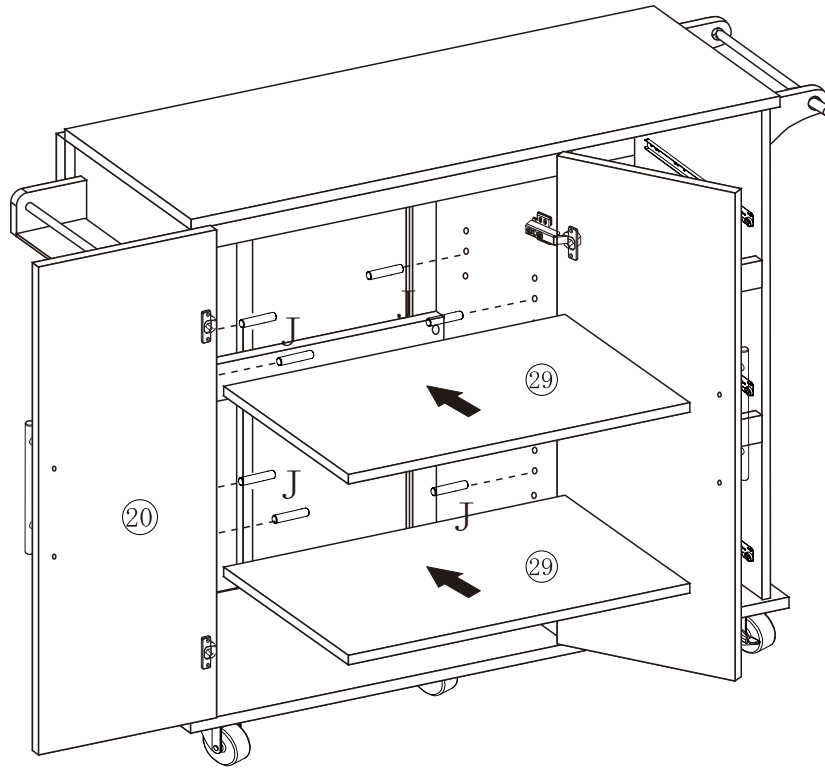
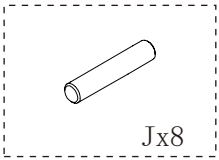


Install Hardware I on 20/21 with H
 Install Hardware L on 20/21 with N

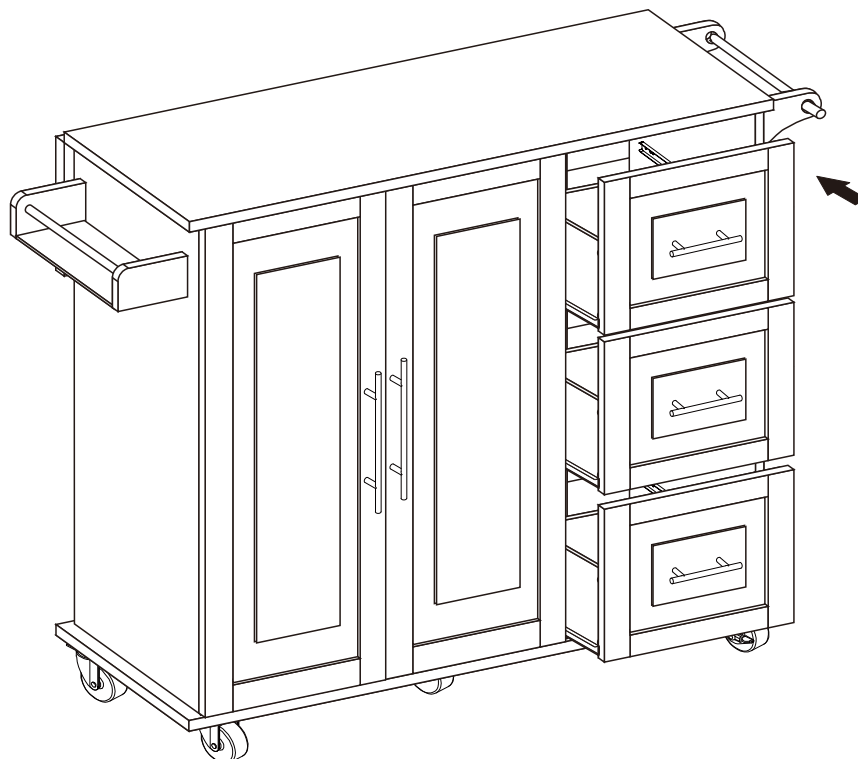


Connect Panel 20 to 1 with Hardware H
Connect Panel 21 to 4 with Hardware H





Install Hardware J into Panel 1/4
Put Panel 29 in the space



Put the three drawers into the space