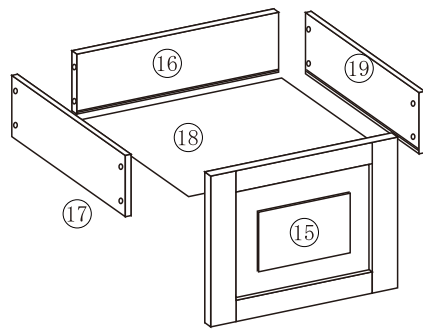
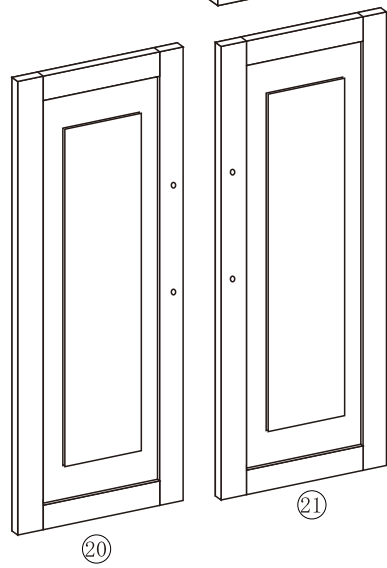
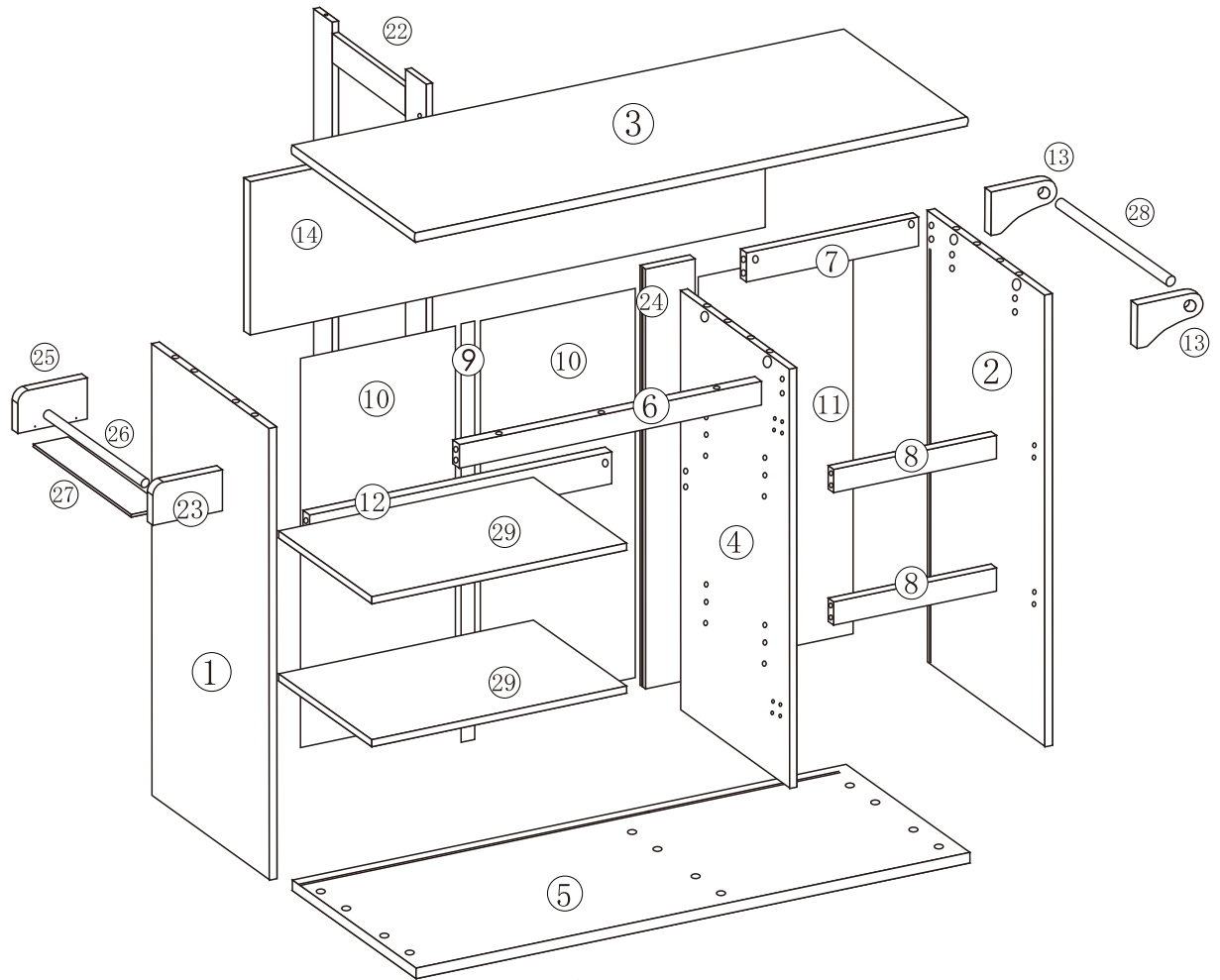
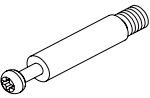


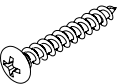
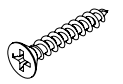
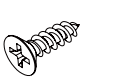
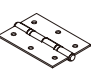

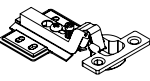



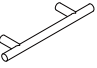
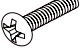
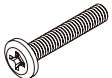





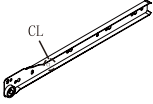
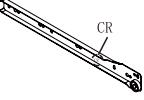

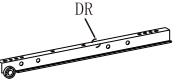


**Attention please :
Improper use of screws may cause the product surface damage!
Please be careful when installing.**



x3

| | | | | | | |
|--|--|---|--|---|--|--|
| <p>A x30</p>  | <p>B x30</p>  | <p>C x26</p>  | <p>D x19</p>  <p>M4x35mm</p> | <p>E x12</p>  <p>M4x30mm</p> | <p>F x54</p>  <p>M3x12mm</p> | <p>G x5</p>  |
| <p>H x24</p>  <p>M4x14mm</p> | <p>I x4</p>  | <p>J x8</p>  | <p>K x20</p>  <p>M5x14mm</p> | <p>L x2</p>  | <p>M x3</p>  | <p>N x10</p>  <p>M4x20mm</p> |
| <p>O x1</p>  <p>M6x25mm</p> | <p>P x1</p>  <p>6x10mm</p> | <p>Q x1</p>  | <p>R x2</p>  | <p>S x3</p>  | <p>T x1</p>  | <p>CL x3</p>  <p>CL</p> |
| <p>CR x3</p>  <p>CR</p> | <p>DL x3</p>  <p>DL</p> | <p>DR x3</p>  <p>DR</p> | | | | |

Connect Panel 17&19 to 16 with Hardware E
Insert Panel 18 along the slots of 17&19

x3



Ax12



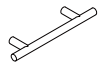
Bx12



Ex12



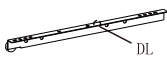
Fx12



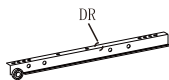
Mx3



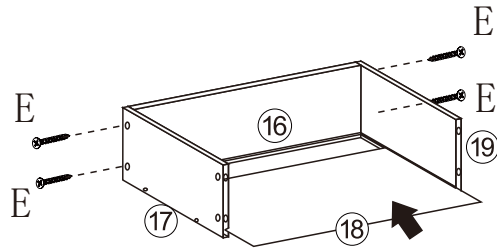
Nx6



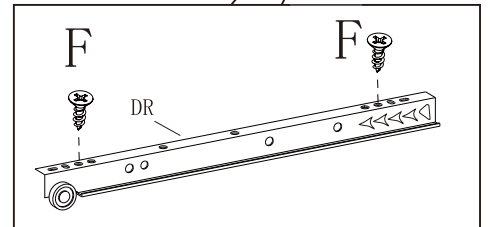
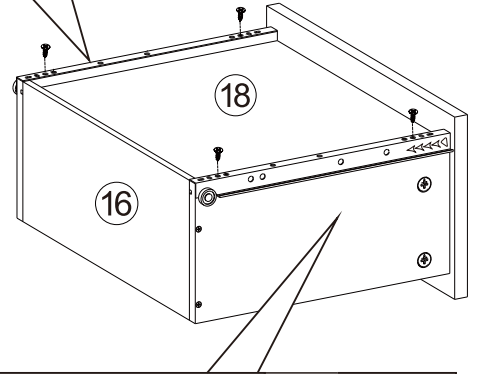
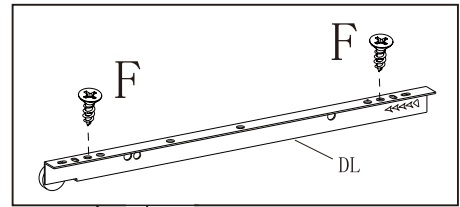
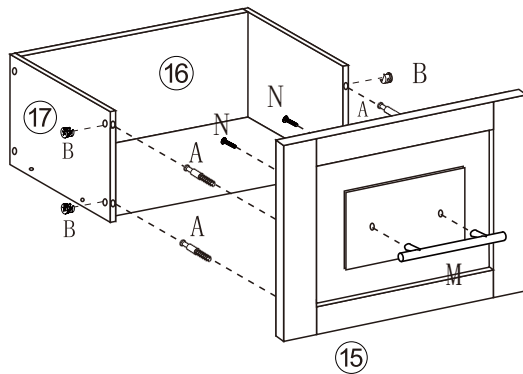
DLx3



DRx3



Install Hardware M on 15 with N
Fix Hardware A to Panel 15



Connect Panel 15 to 17&19 with Hardware A,
and Lock with Hardware B
Install Hardware DL/DR on 17/19 with F.

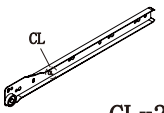
Fix Hardware A to Panel 2/4
Install Hardware CR on 2 with F
Install Hardware CL on 4 with F



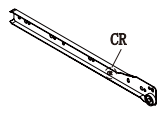
Ax6



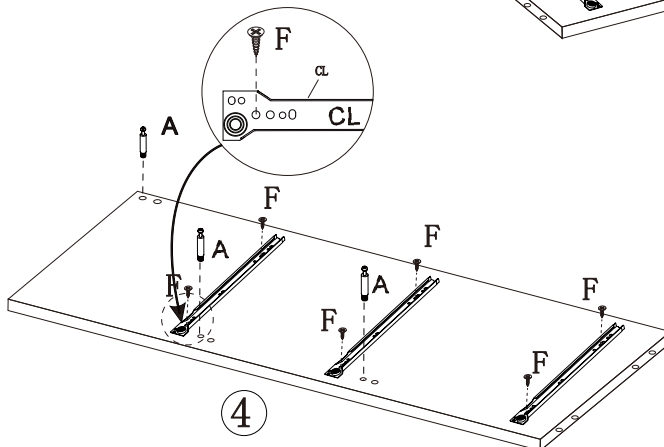
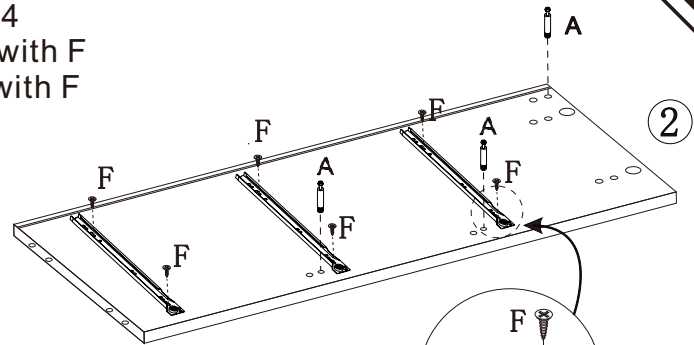
Fx12

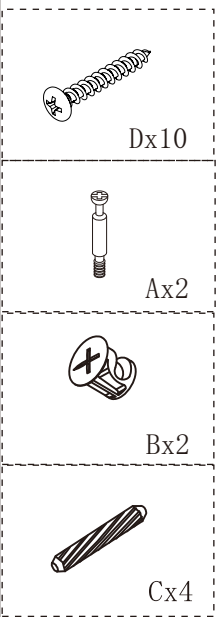


CLx3

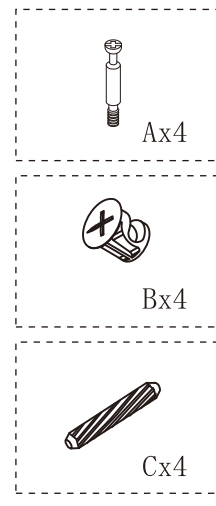
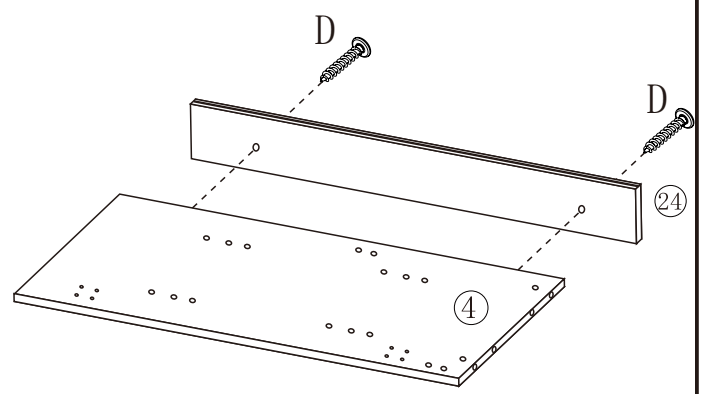
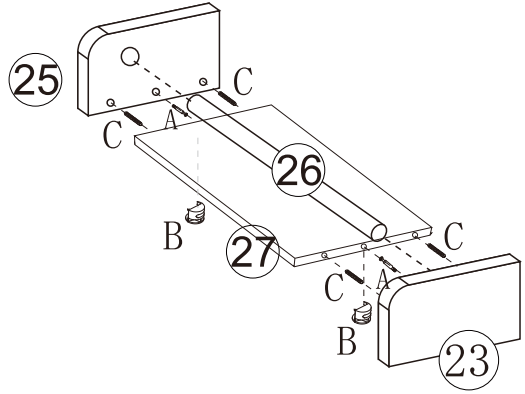
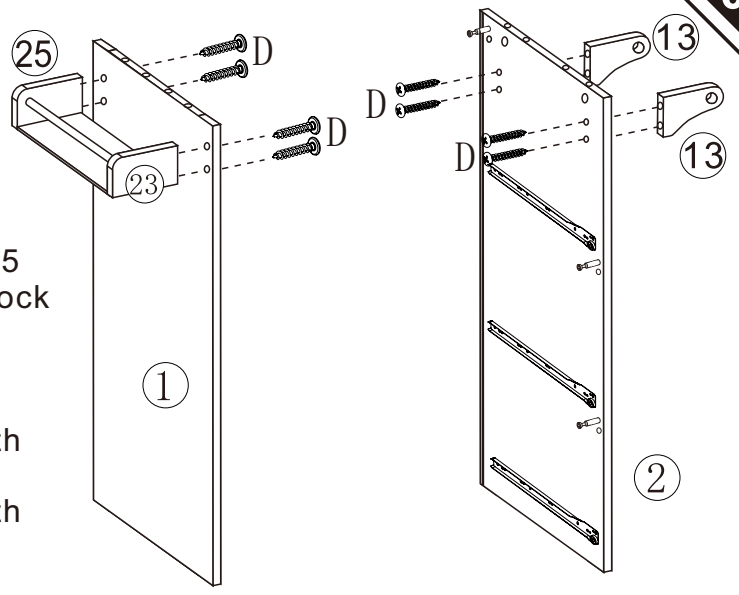


CRx3

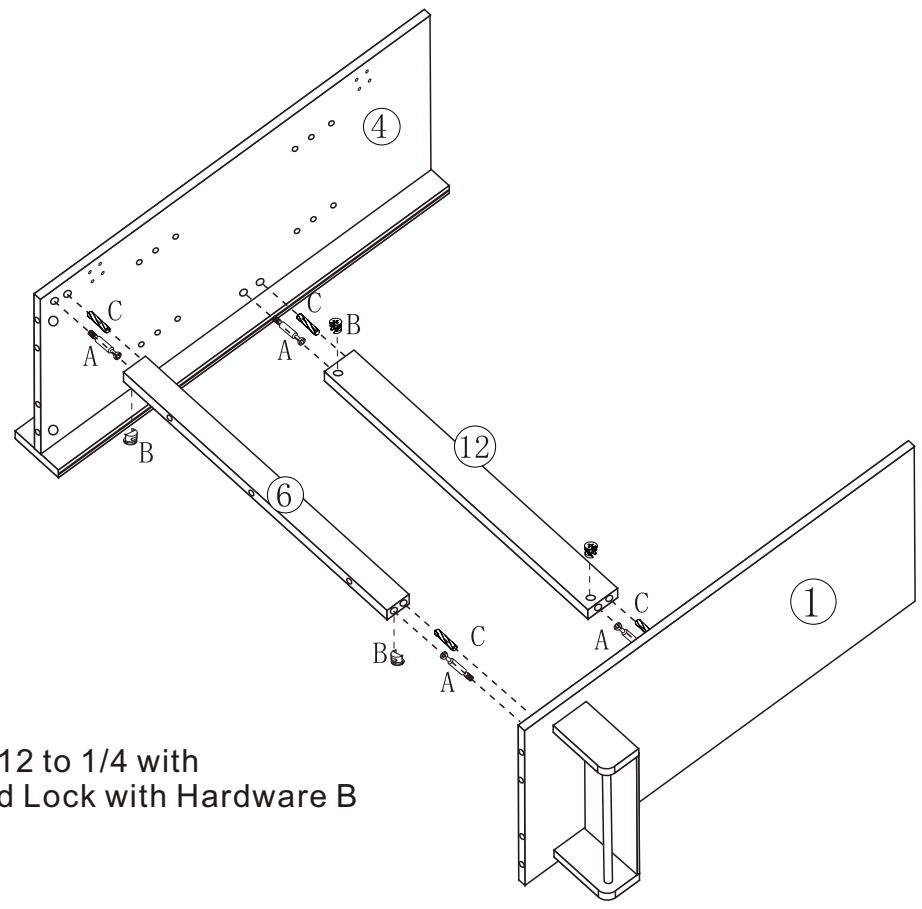




Fix Hardware A/C to Panel 23/25.
Put Round stick 26 between 23/25
Connect Panel 27 to 23/25 with Hardware A/C, and Lock with Hardware B
Connect Panel 23/25 to 1 with Hardware D
Connect Panel 13 to 2 with Hardware D
Connect Panel 24 to 4 with Hardware D



Connect Panel 6/12 to 1/4 with Hardware A/C, and Lock with Hardware B

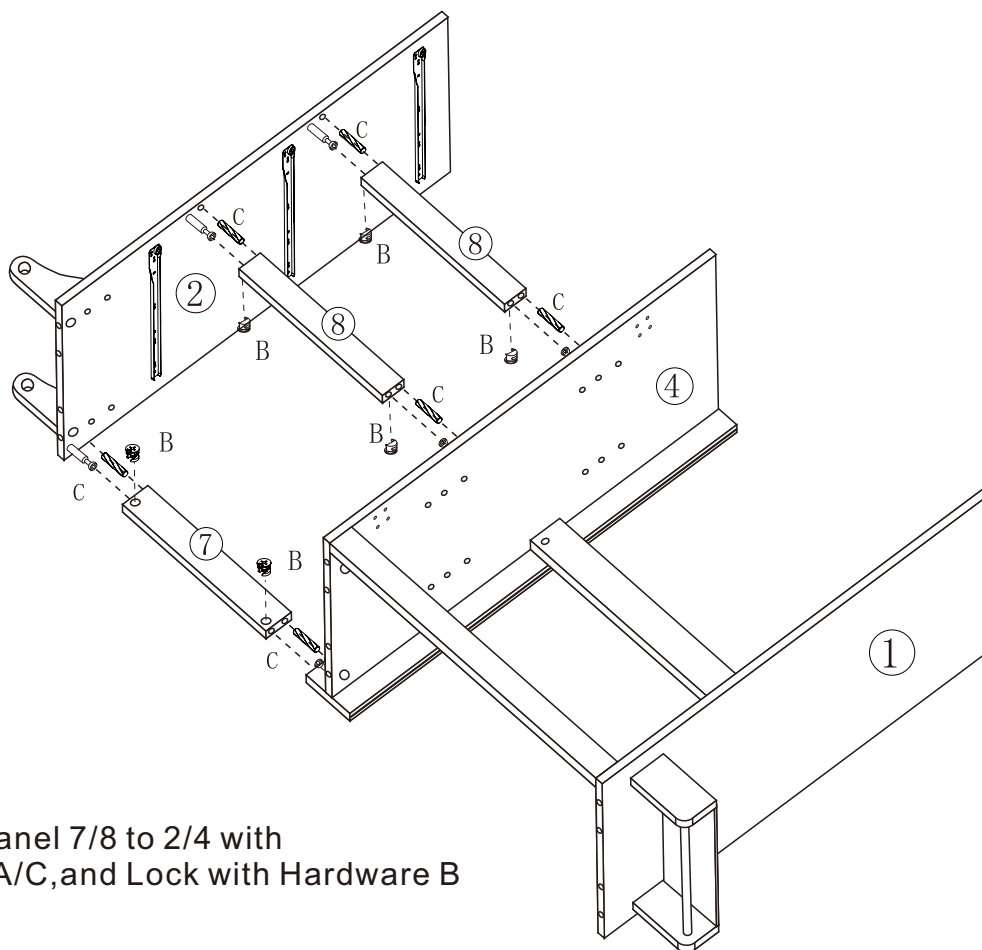




Bx6



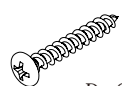
Cx6



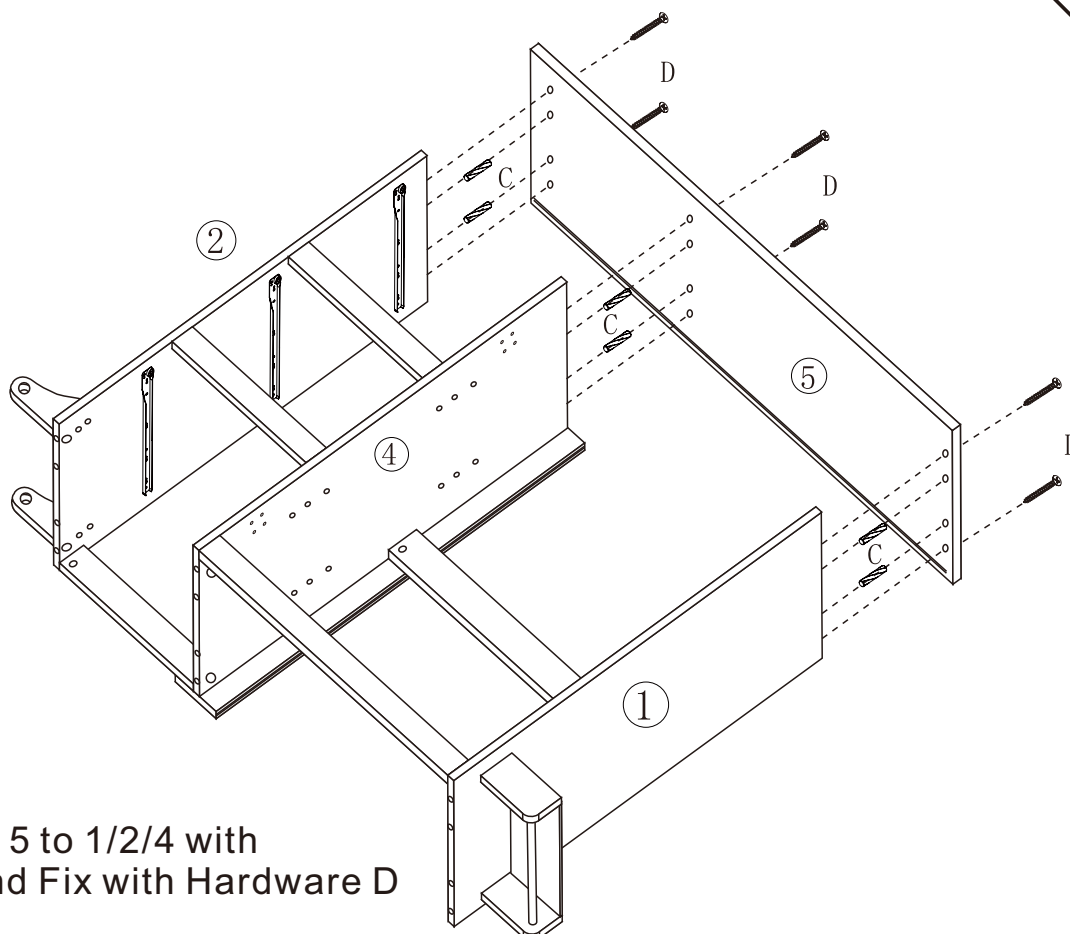
Connect Panel 7/8 to 2/4 with
Hardware A/C, and Lock with Hardware B



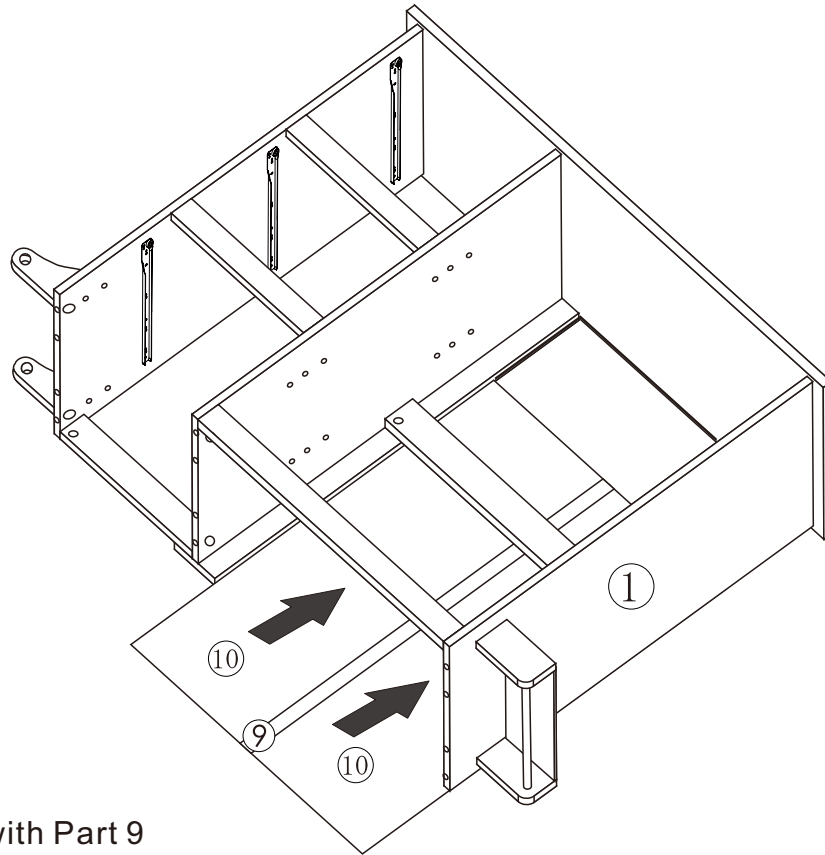
Cx6



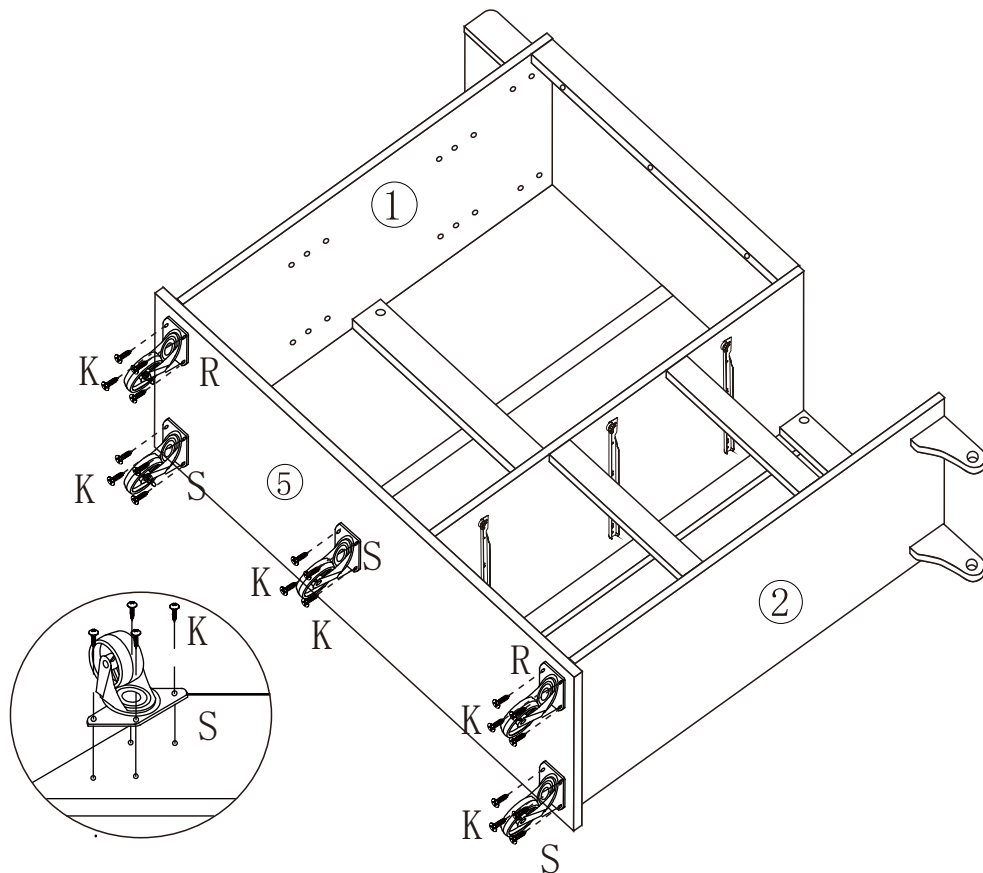
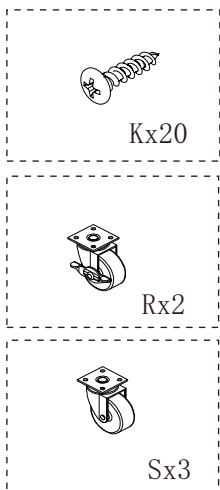
Dx6



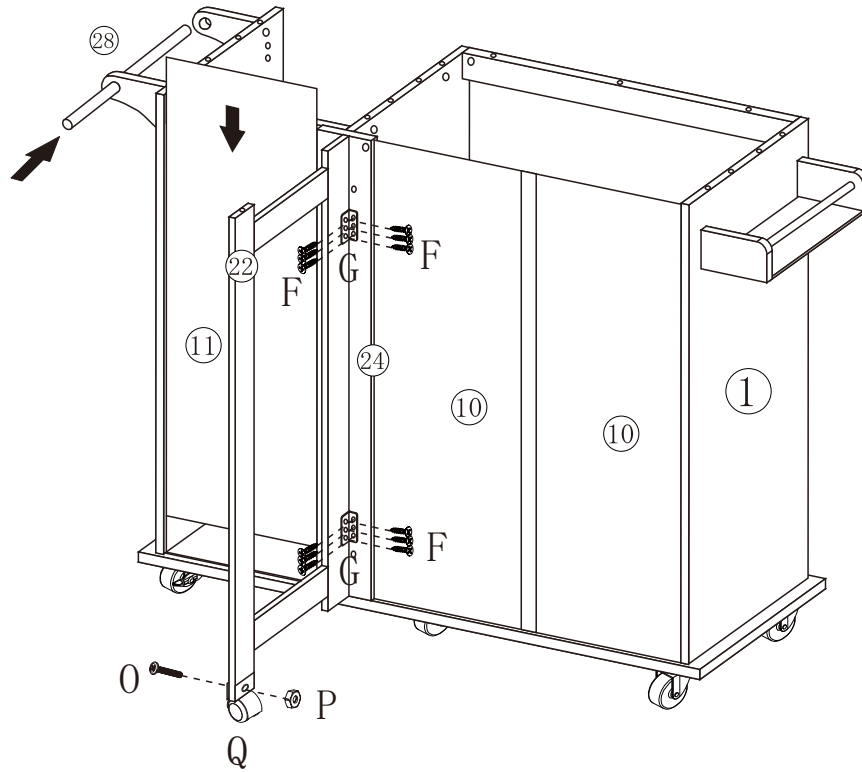
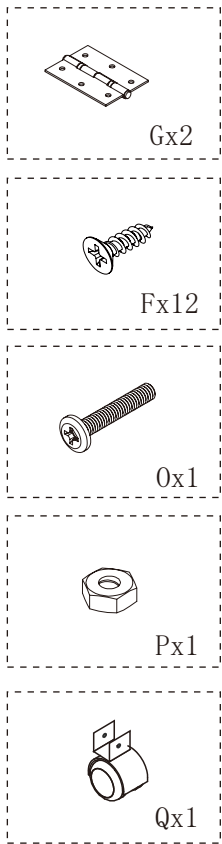
Connect Panel 5 to 1/2/4 with
Hardware C, and Fix with Hardware D



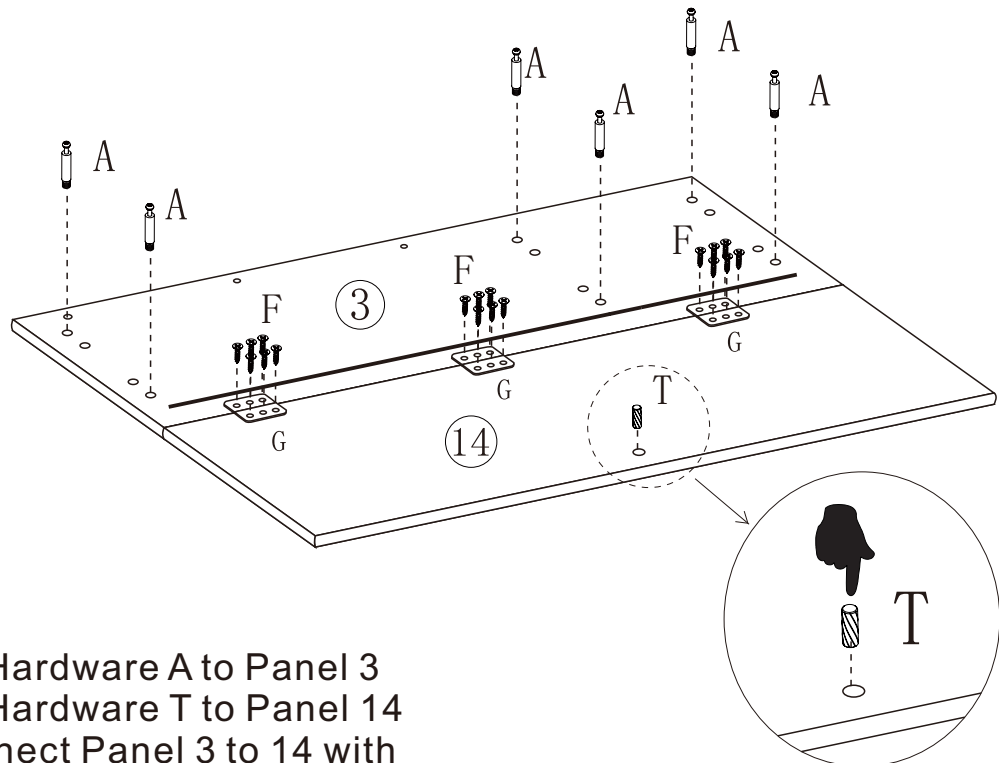
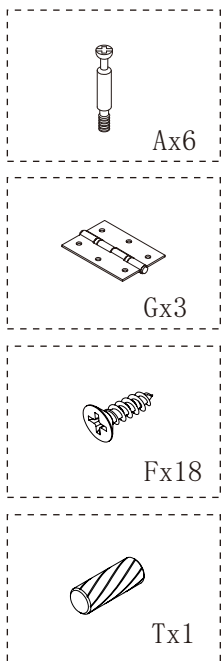
Connect Panel 10 with Part 9
Insert Panel 10 along the slots of 1/4



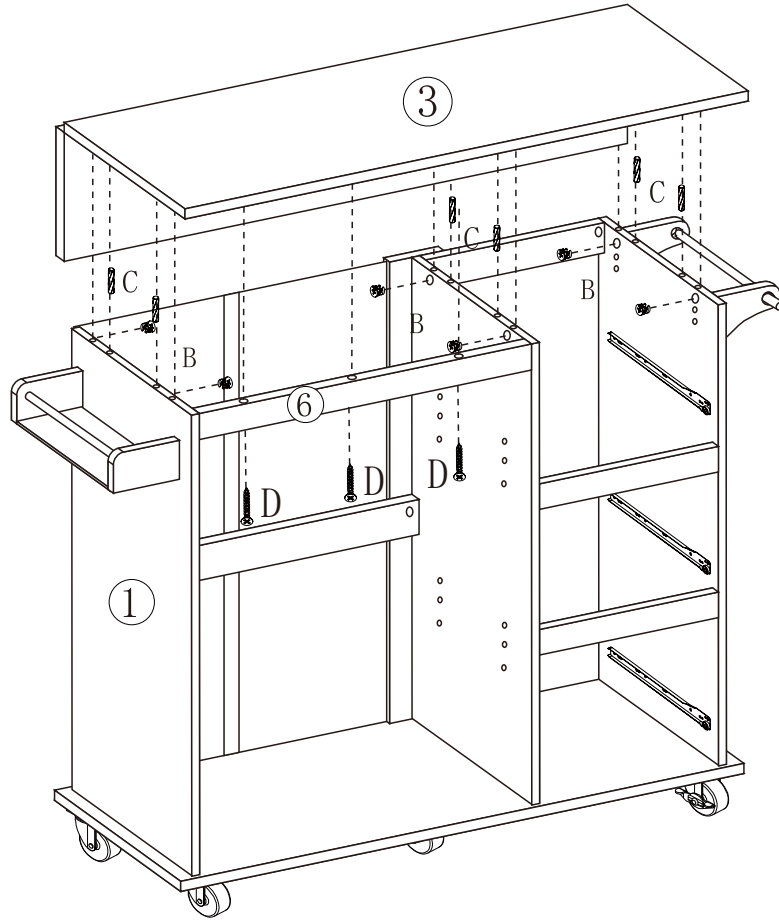
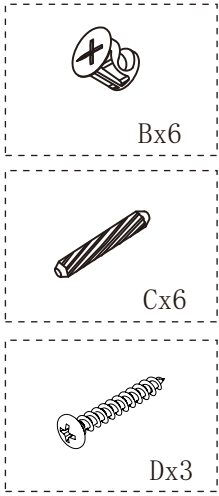
Install Hardware R/S on 5 with K



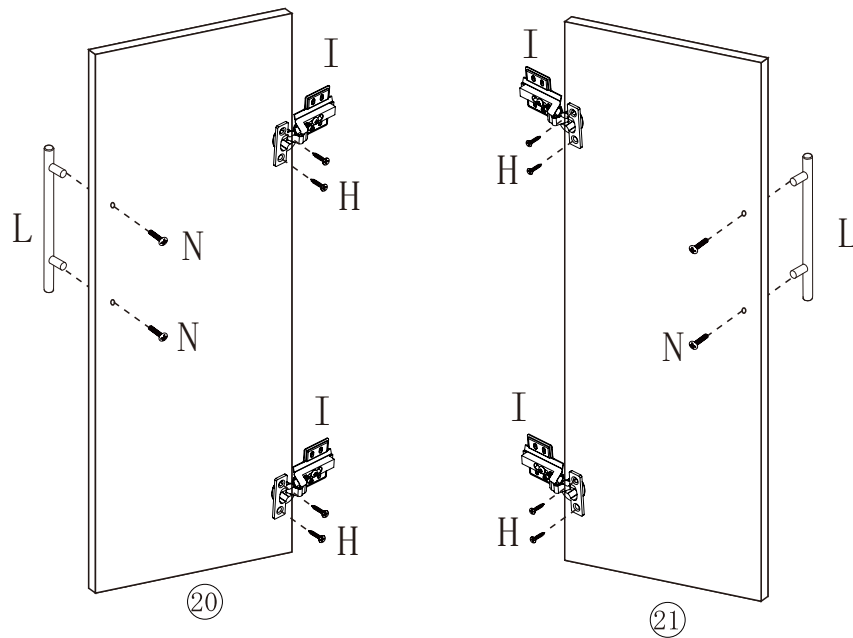
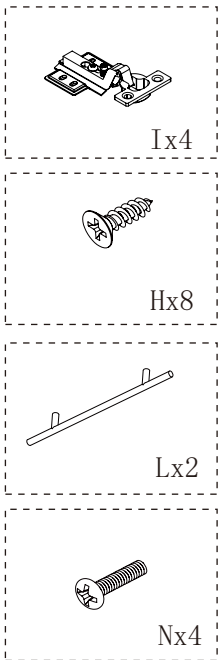
Put Round stick 28 between 13
 Install Hardware Q on 22 with O/P
 Connect Panel 22 to 24 with Hardware G,
 and Fix with Hardware F
 Insert Panel 11 along the slots of 2/4



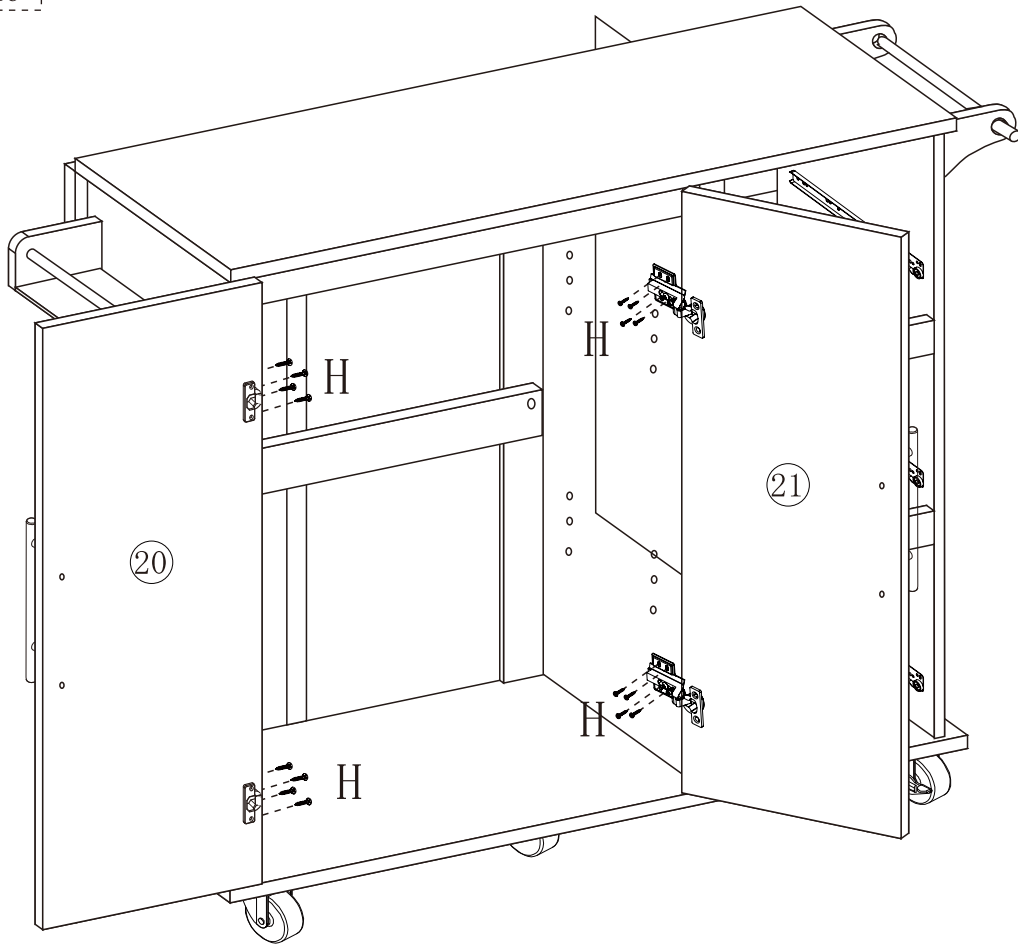
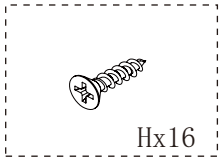
Fix Hardware A to Panel 3
 Fix Hardware T to Panel 14
 Connect Panel 3 to 14 with
 Hardware G, and Fix with Hardware F



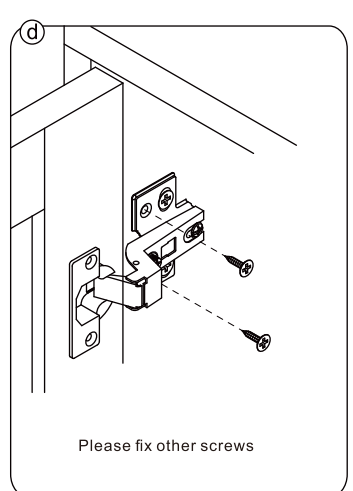
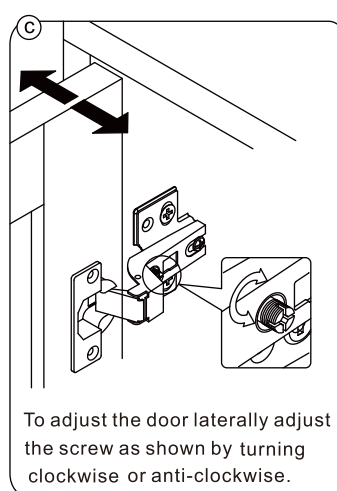
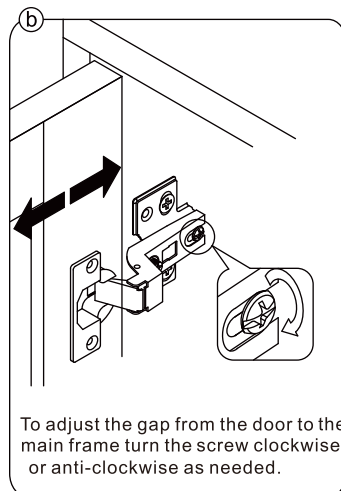
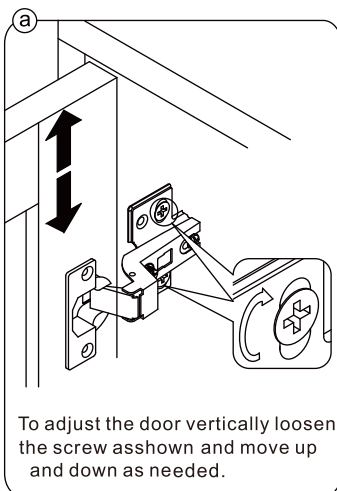
Connect Panel 3 to 1/2/4 with Hardware A/C, and Lock with Hardware B
 Fix Panel 6 to 3 with Hardware G

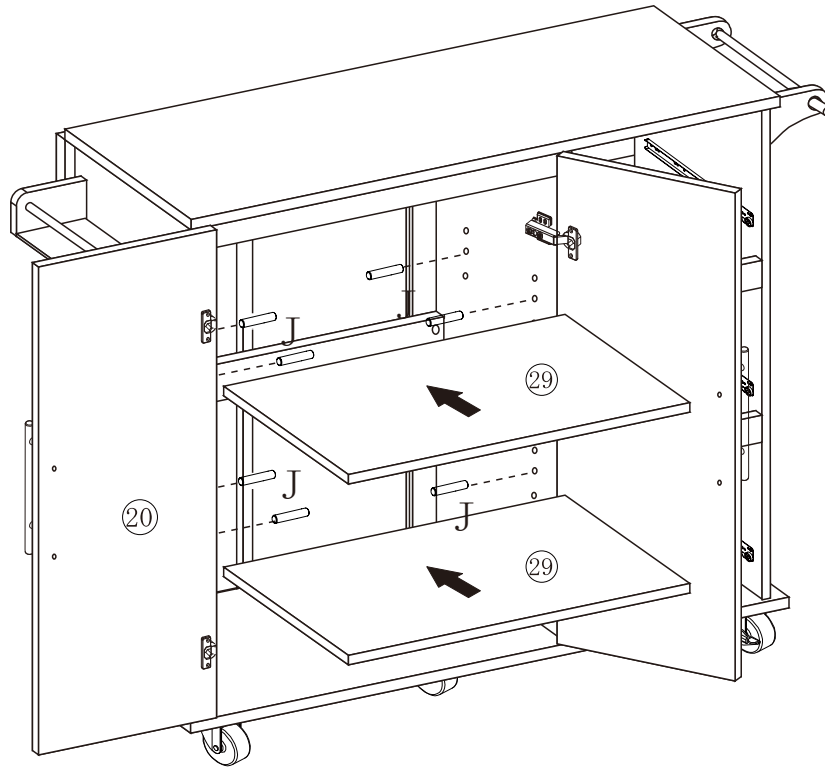
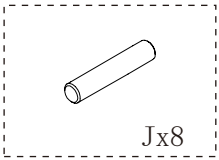


Install Hardware I on 20/21 with H
 Install Hardware L on 20/21 with N

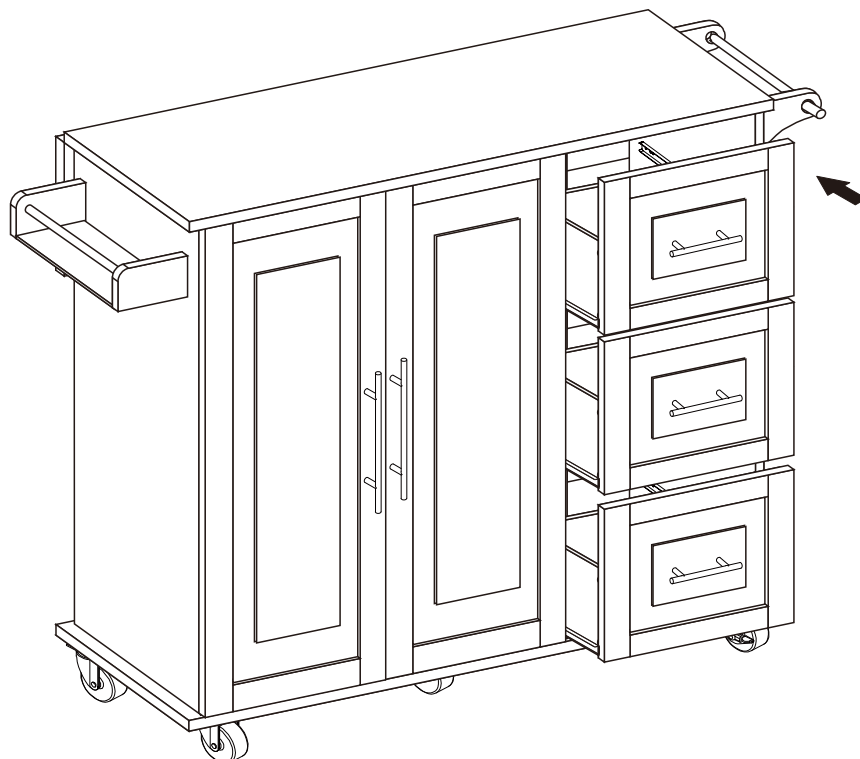


Connect Panel 20 to 1 with Hardware H
Connect Panel 21 to 4 with Hardware H





Install Hardware J into Panel 1/4
Put Panel 29 in the space



Put the three drawers into the space