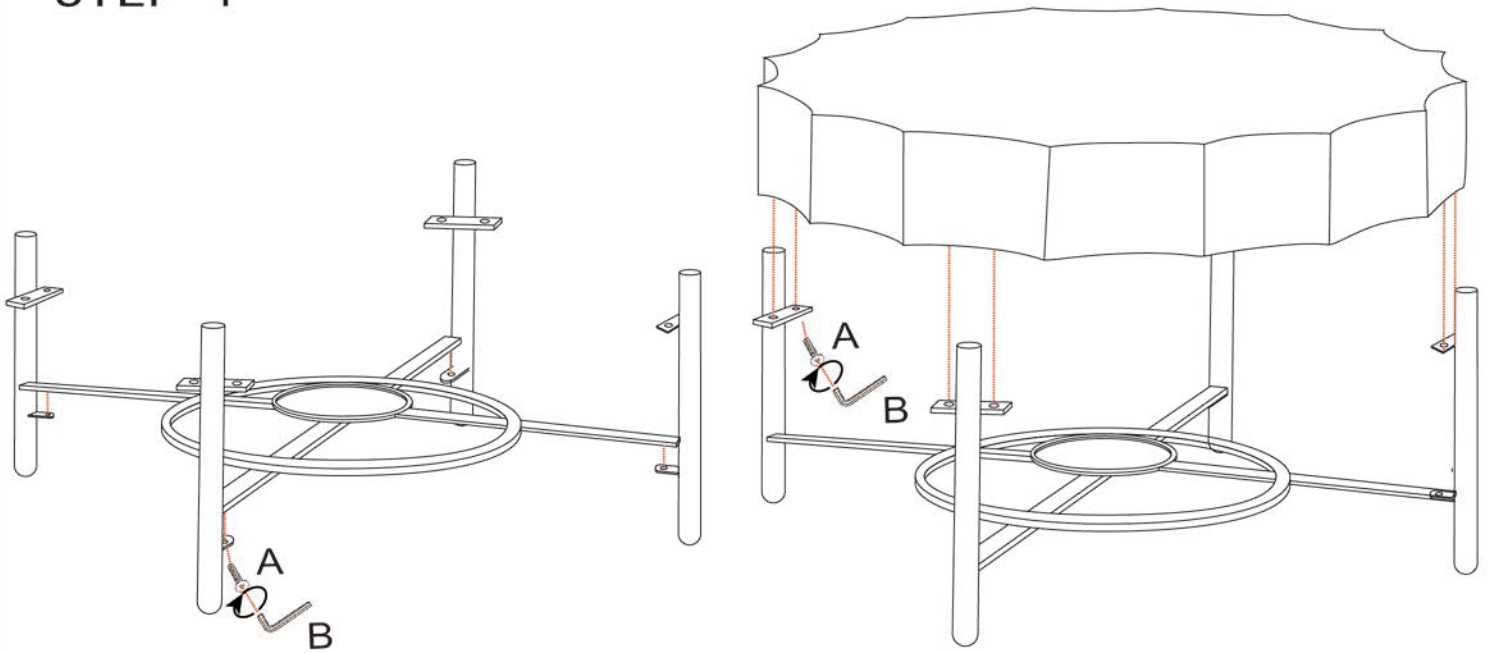
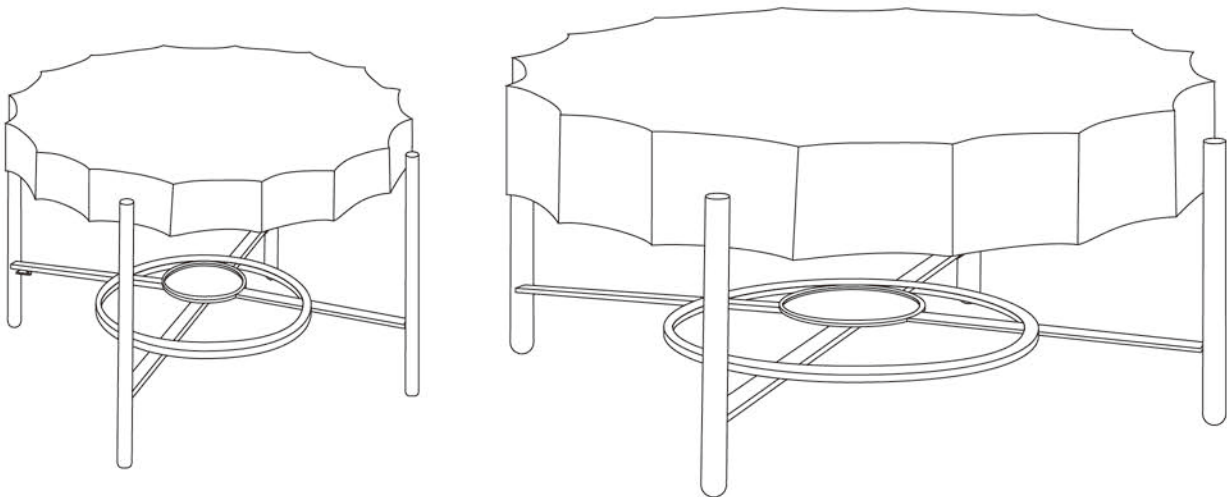


ASSEMBLY INSTRUCTIONS

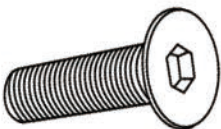
STEP 1



STEP 2



Ax16



Bx1



Bx1

