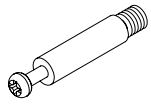
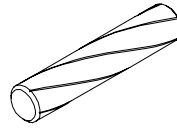


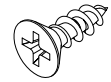
Ax71



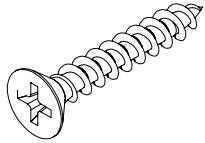
Bx71



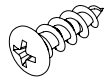
Cx81



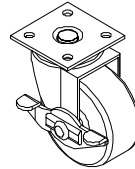
Dx40



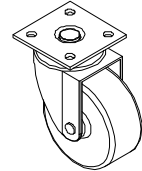
Ex12



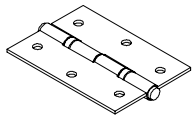
Fx16



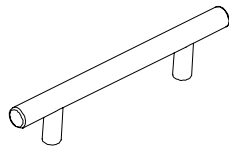
Gx2



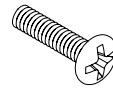
Hx2



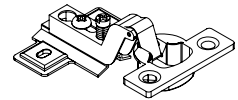
Ix4



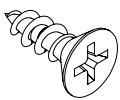
Jx4



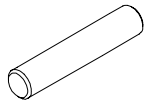
Kx8



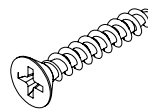
Lx4



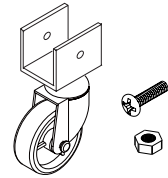
Mx16



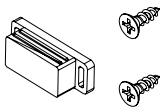
Nx4



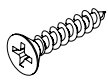
Ox8



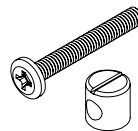
Px1



Qx1



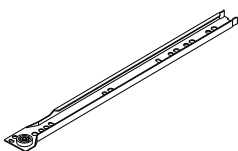
Rx1



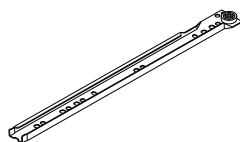
Sx2



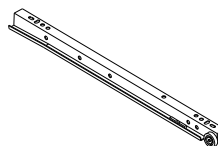
Tx2



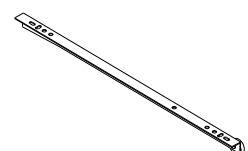
CLx2



CRx2

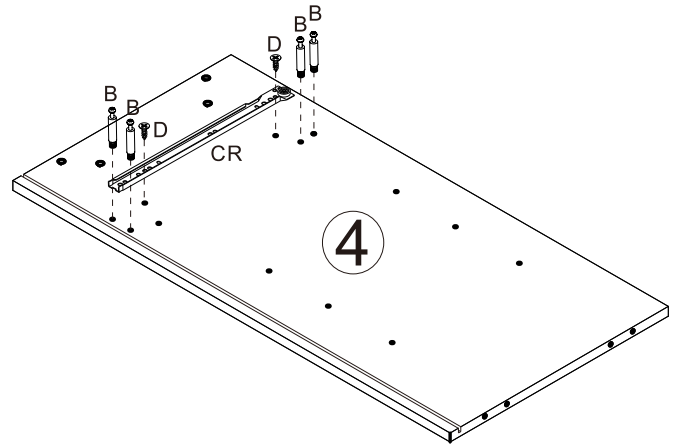
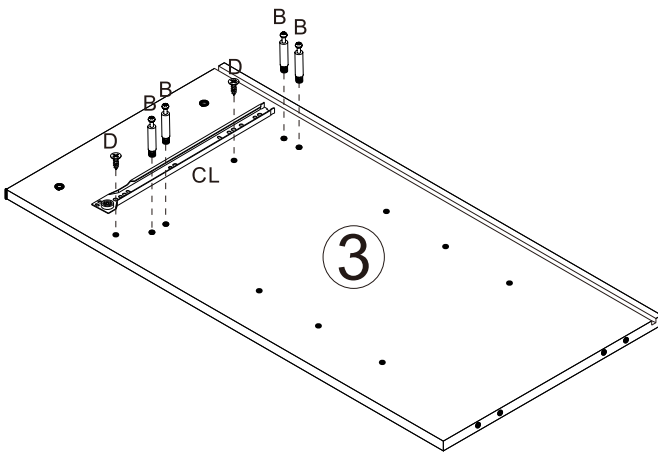
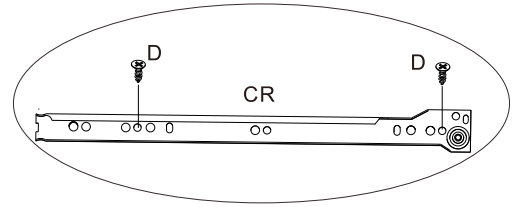
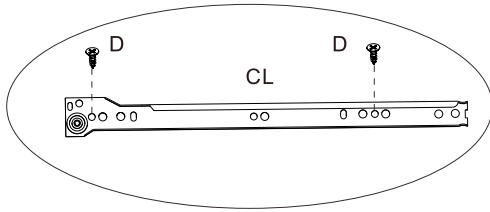


DLx2



DRx2

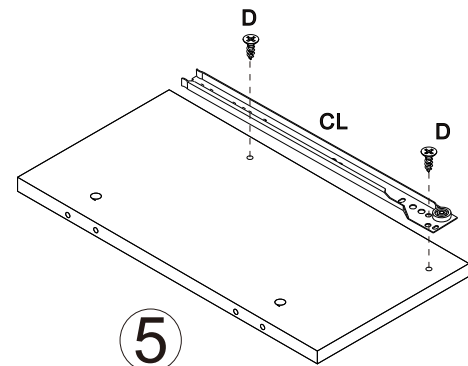
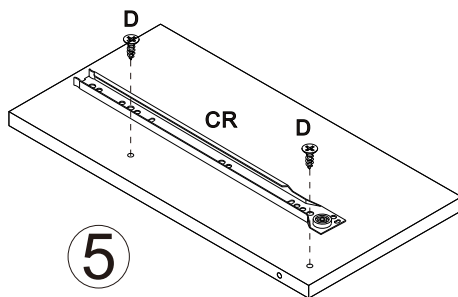
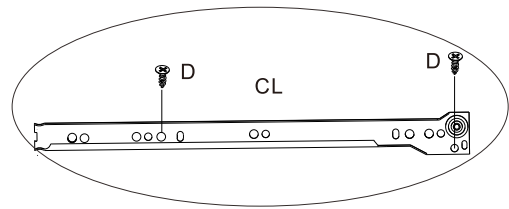
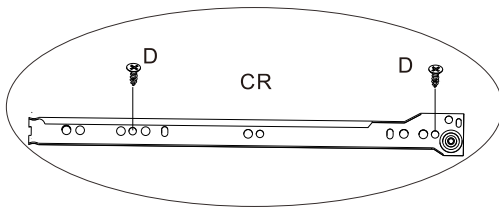
1



	Bx8
	Dx4
	CLx1
	CRx1

Connect hardware CL to part 3 with screw D
 Screw hardware B to part 3 and part 4.
 Connect hardware CR to part 4 with screw D

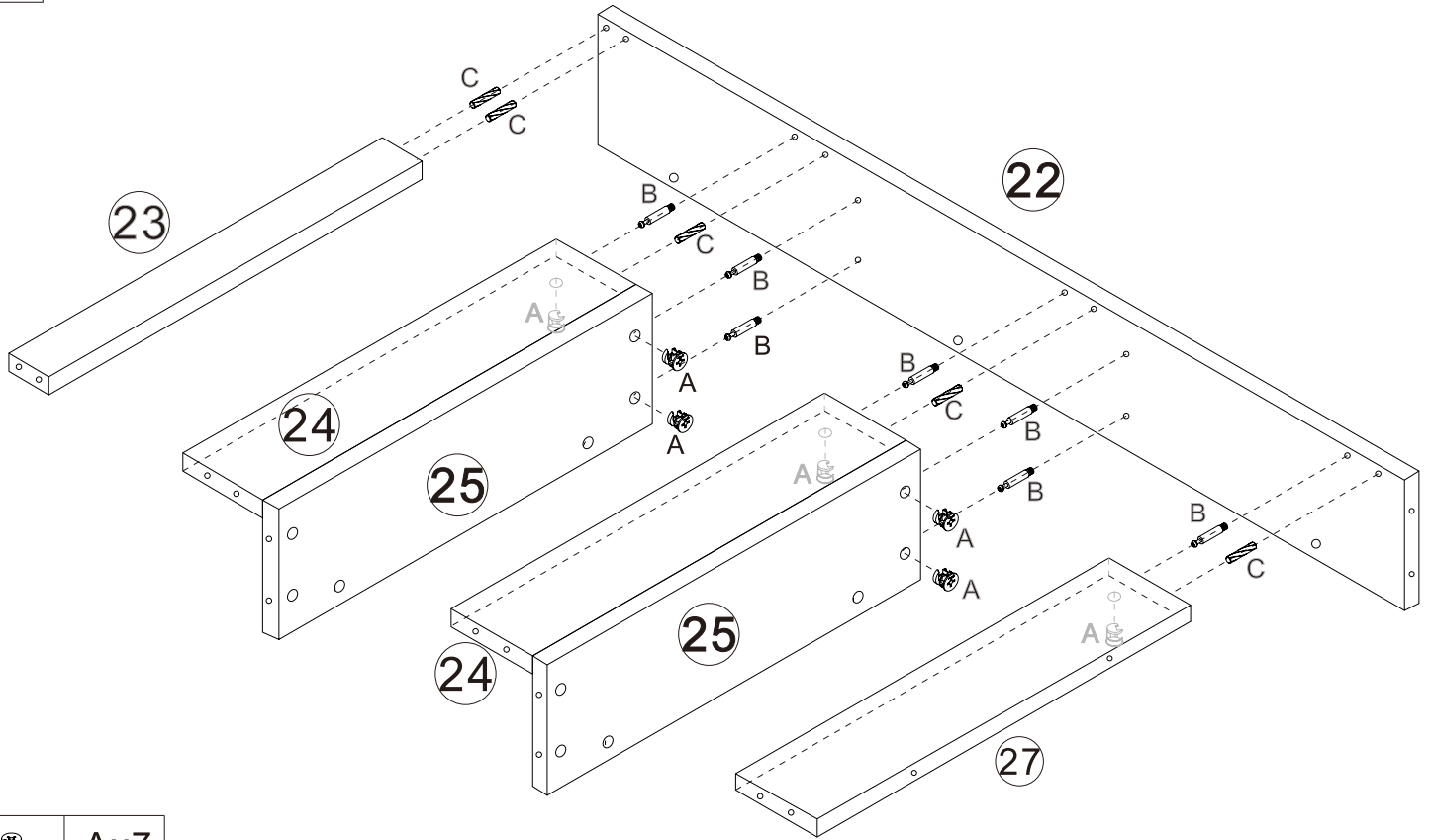
2






	Dx4
	CLx1
	CRx1

Connect hardware CL and CR to part 5 with screw D,
 make sure to separate left and right for hardware C.

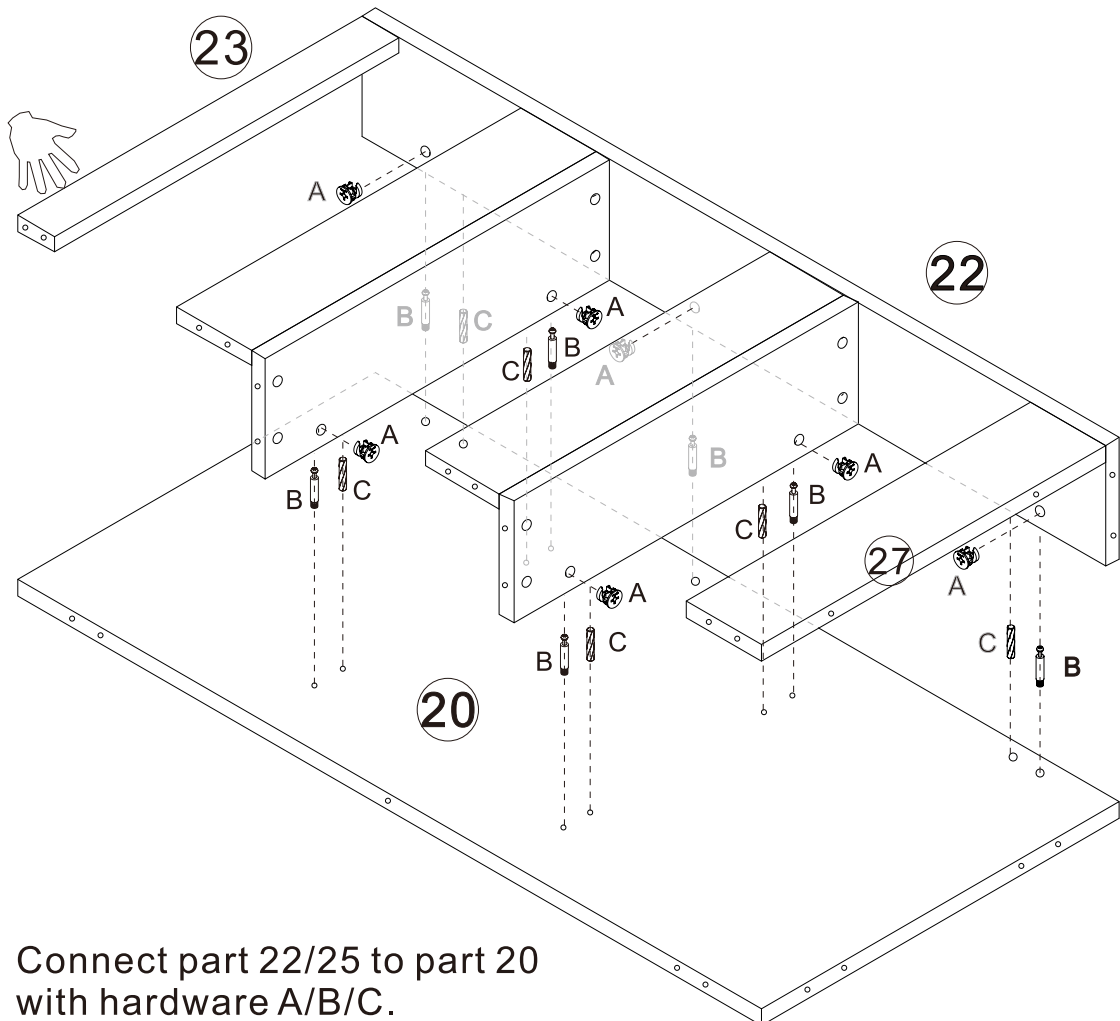
3






	Ax7
	Bx7
	Cx5

Connect part 23/24/25/27 to part 22 with hardware A/B/C.

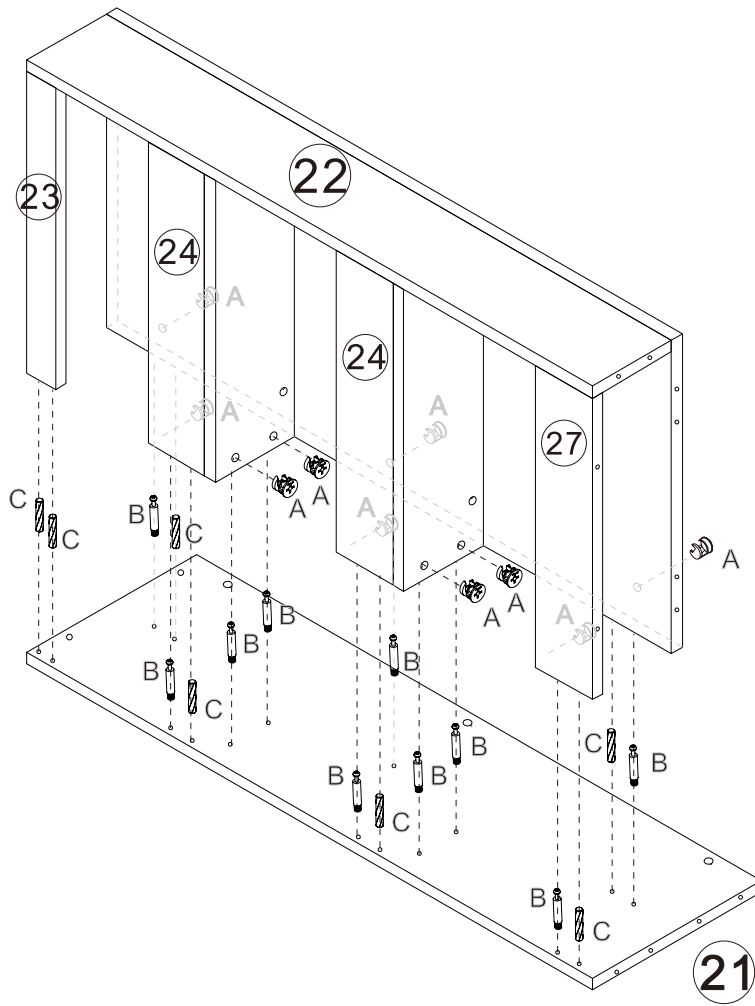
4






	Ax7
	Bx7
	Cx6

Connect part 22/25 to part 20 with hardware A/B/C.

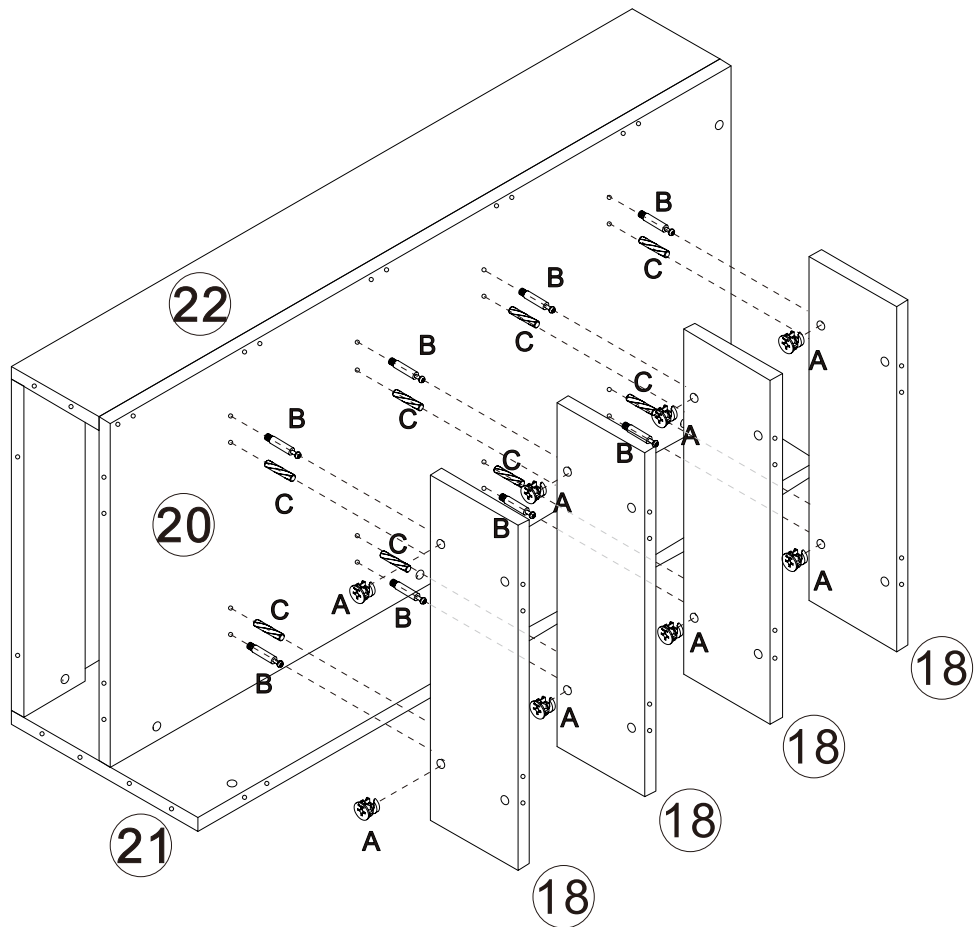
5






	Ax10
	Bx10
	Cx7

Connect part 23/24/25/27 to part 21 with hardware A/B/C.

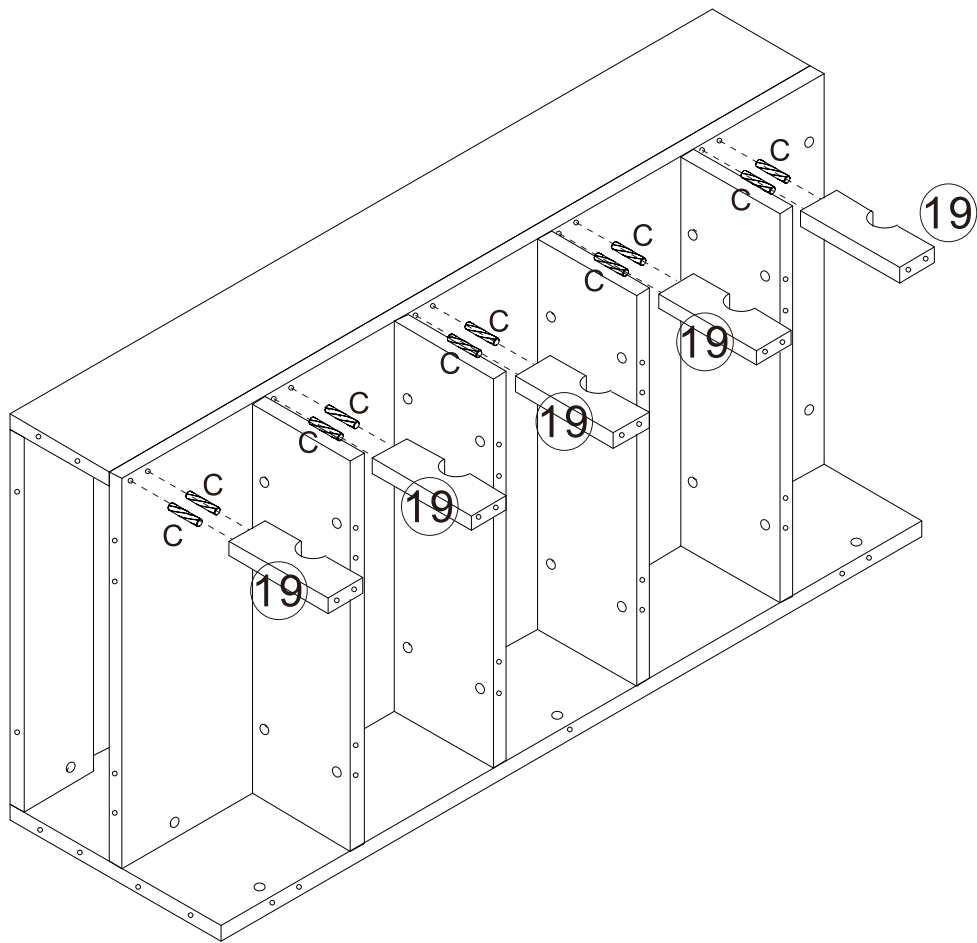
6



	Ax8
	Bx8
	Cx8

Connect part 18 to part 20 with hardware A/B/C.

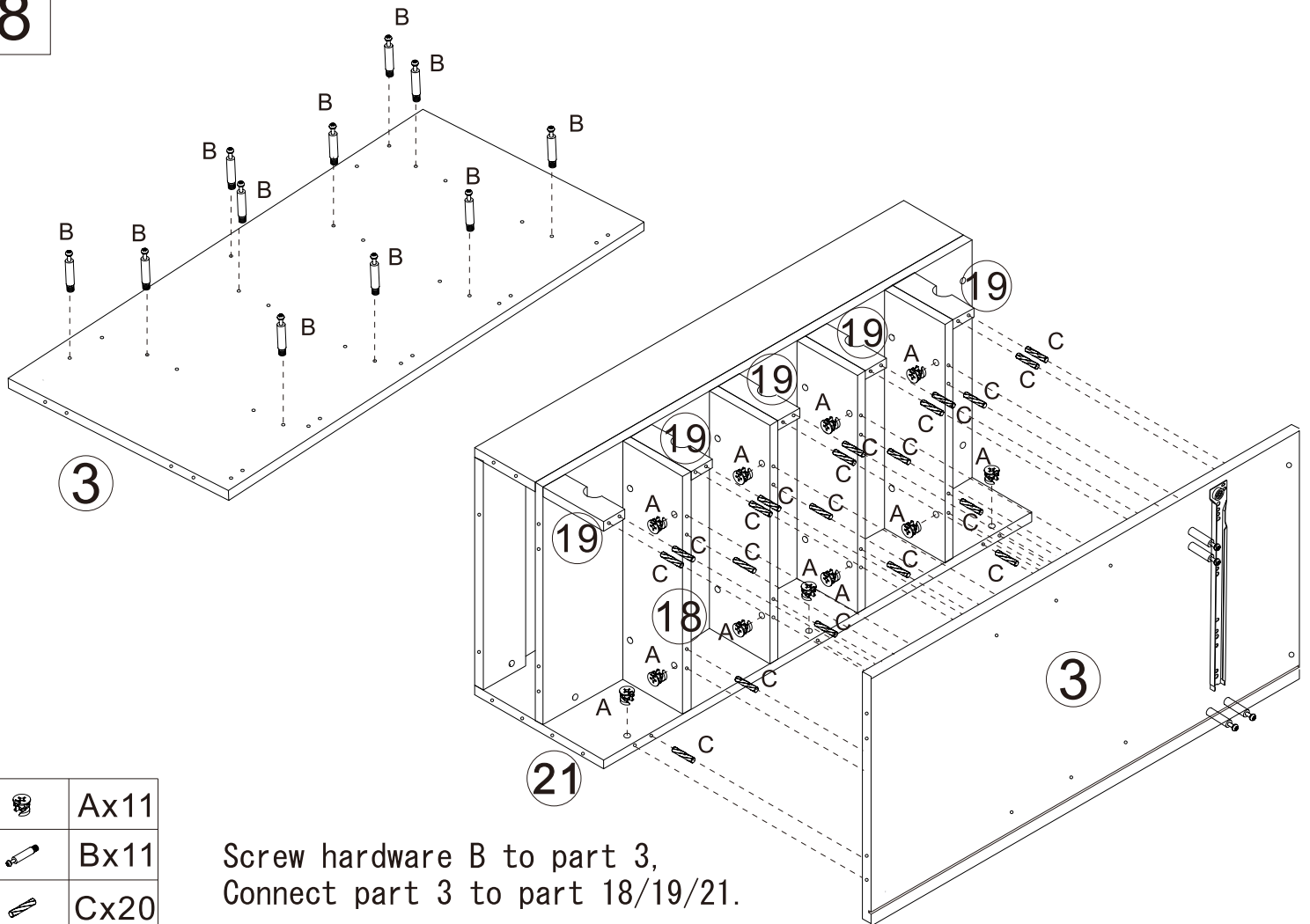
7



Cx10

Connect part 19 to part 20 with hardware C.

8



Ax11



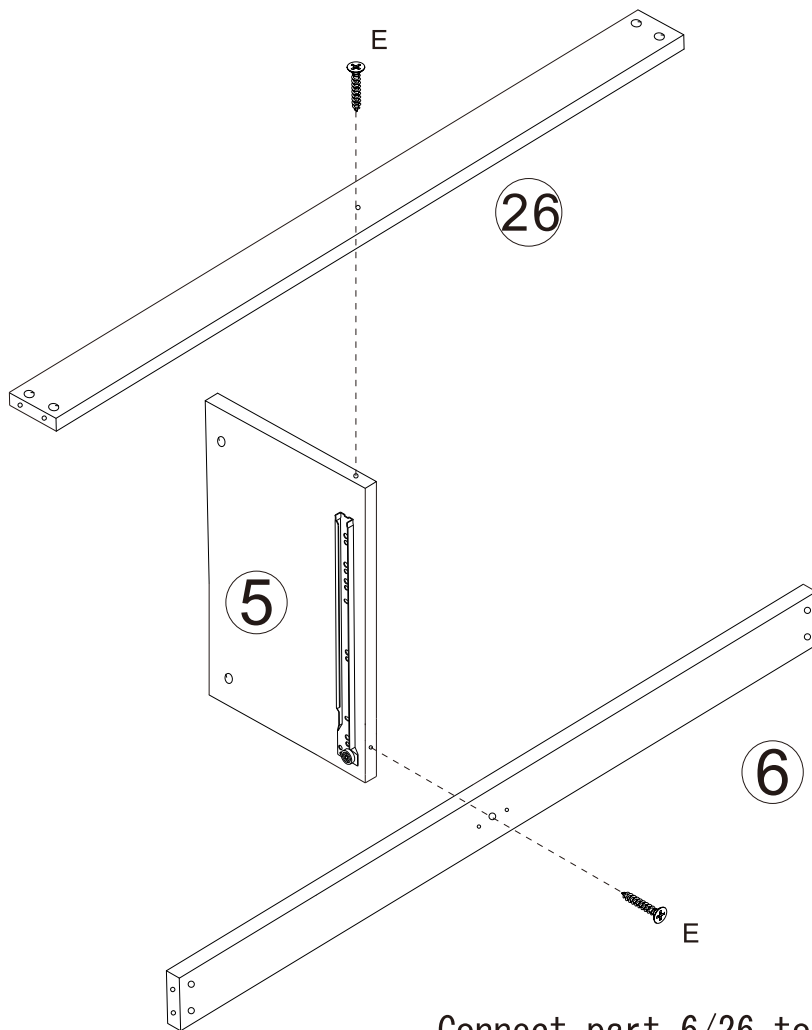
Bx11



Cx20

Screw hardware B to part 3,
Connect part 3 to part 18/19/21.

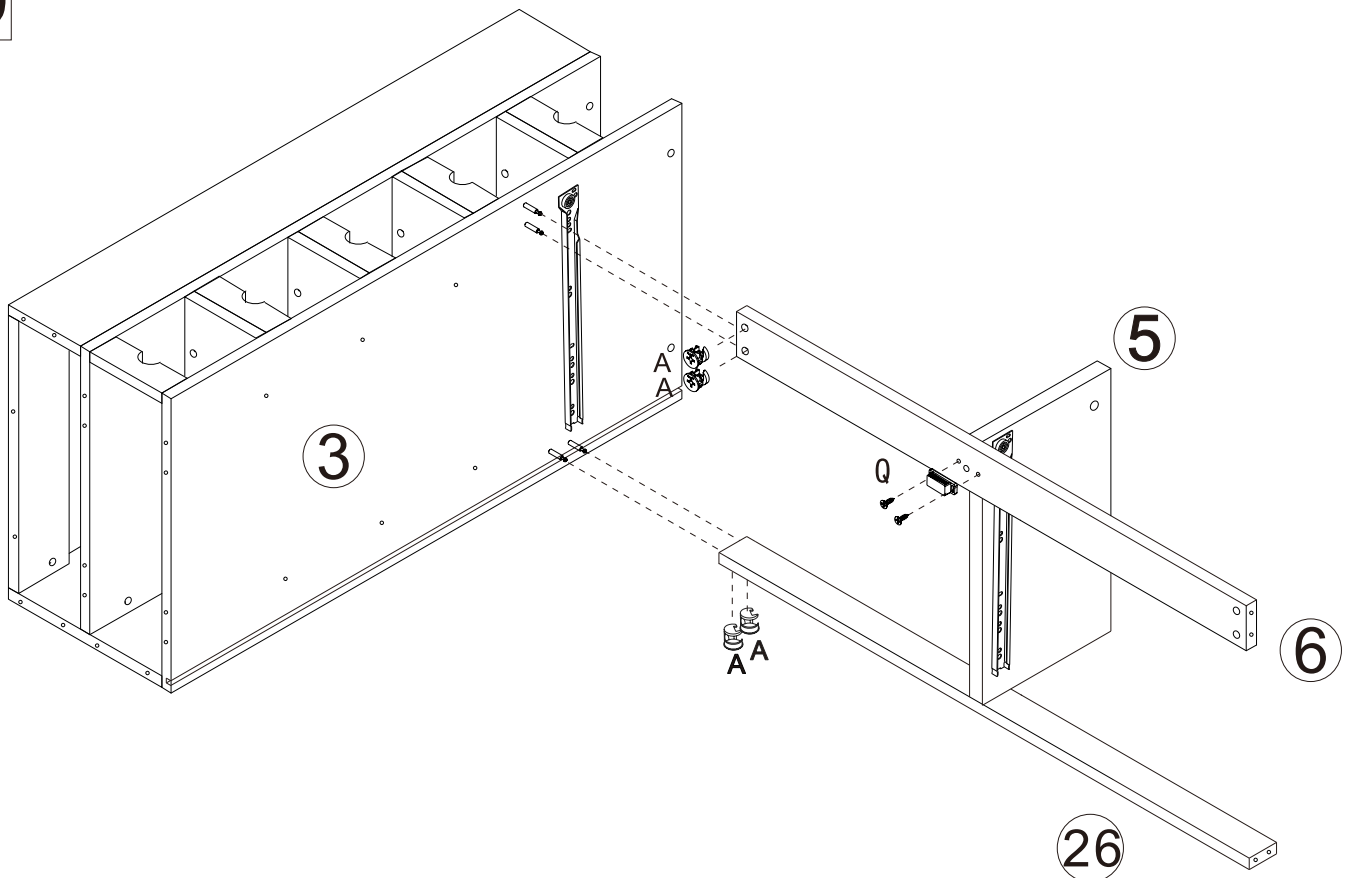
9



Ex2

Connect part 6/26 to part 5 with screw E.

10



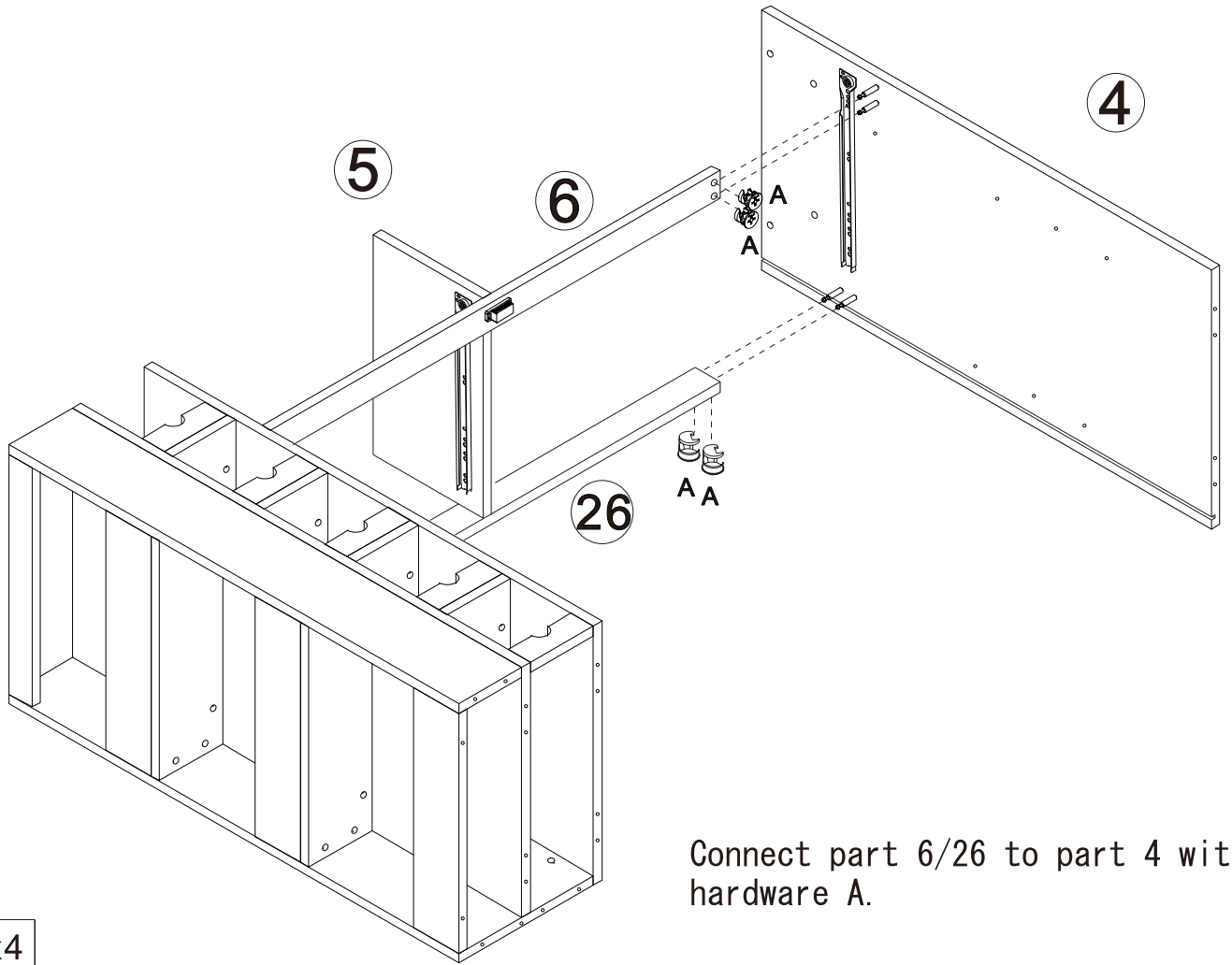
Ax4



Qx1

Connect part 6/26 to part 3 with hardware A.
Connect hardware Q to part 6

11

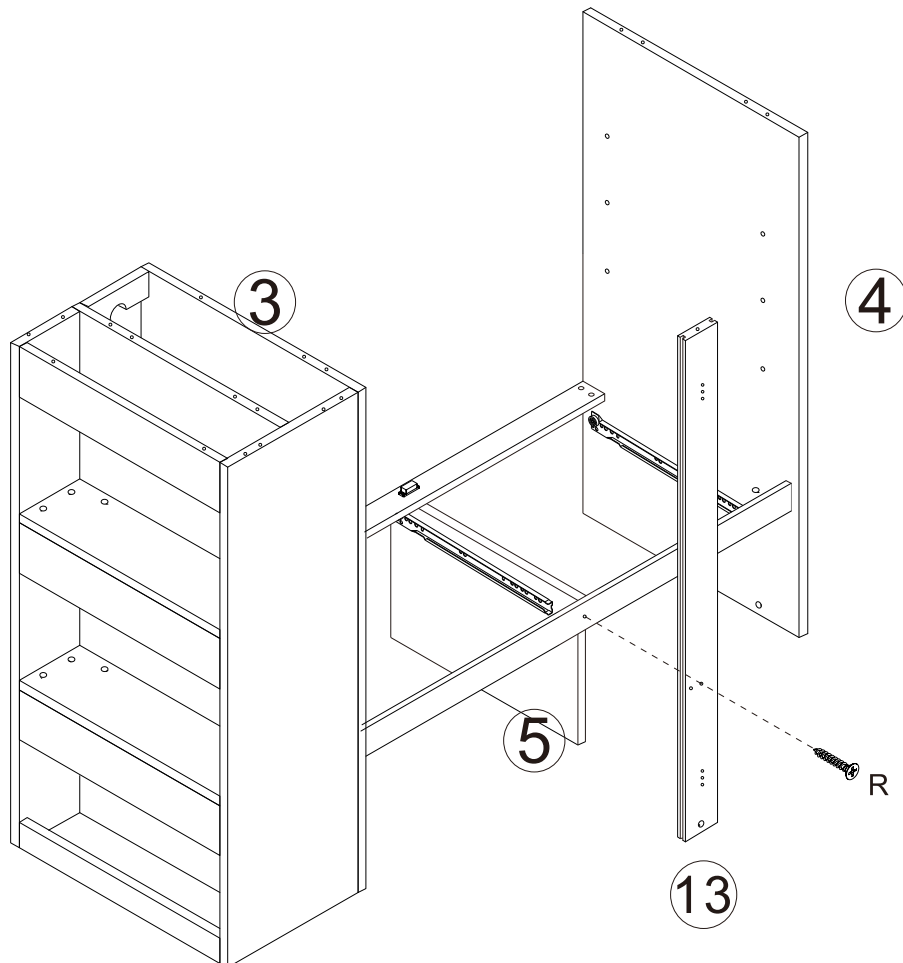


Connect part 6/26 to part 4 with hardware A.



Ax4

12

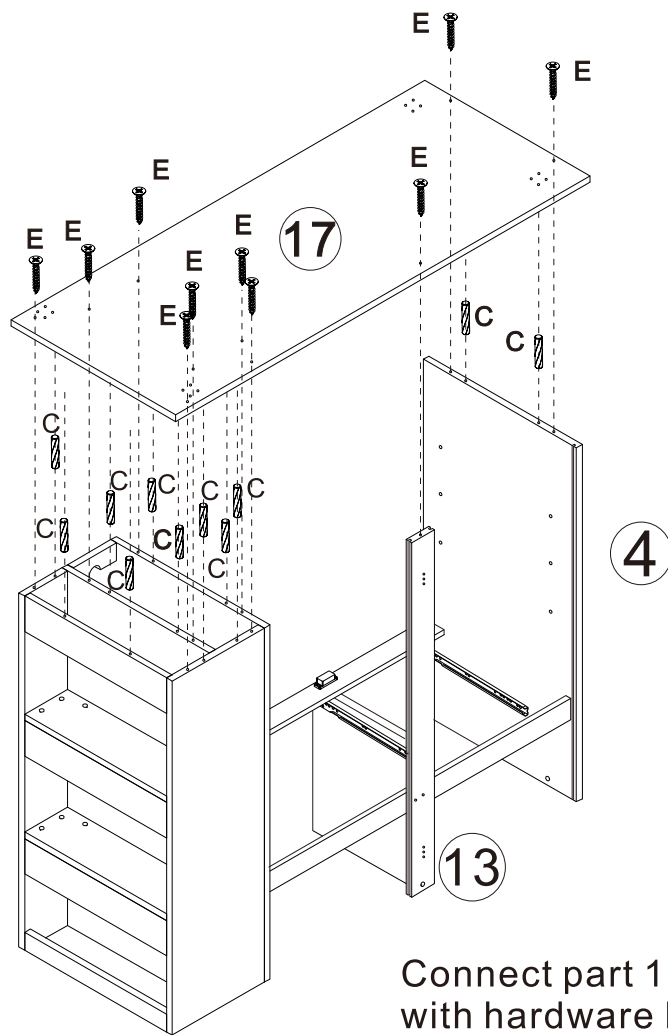




Connect part 26 to part 13 with screw R.



Rx1

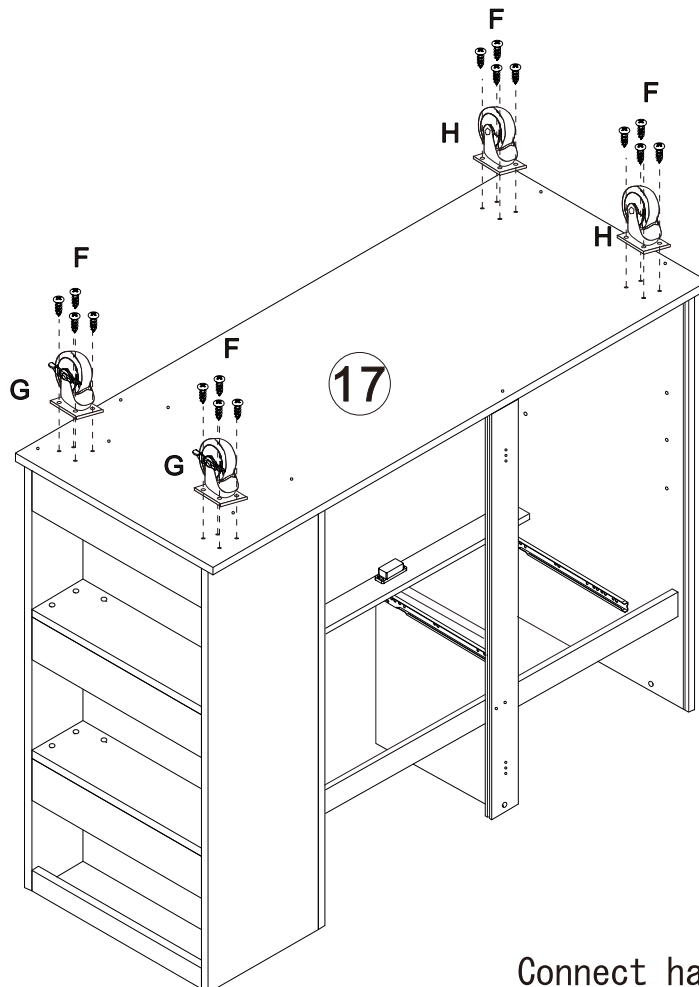
13






	Cx11
	Ex10

Connect part 17 to part 3/4/13/20/21/22/23 with hardware E/C.

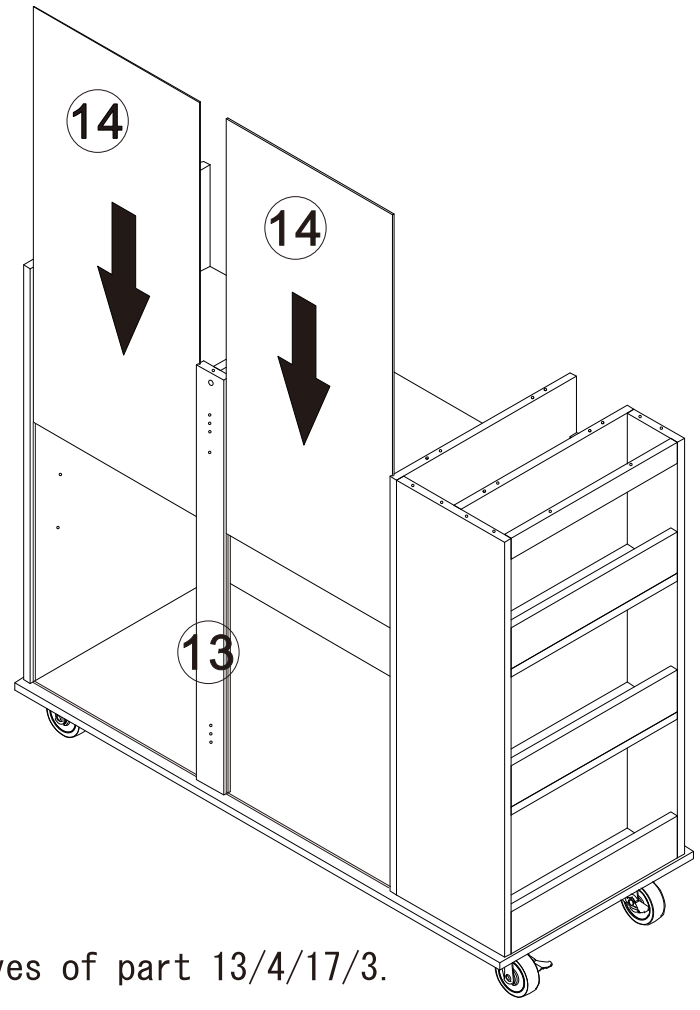
14



	Fx16
	Gx2
	Hx2

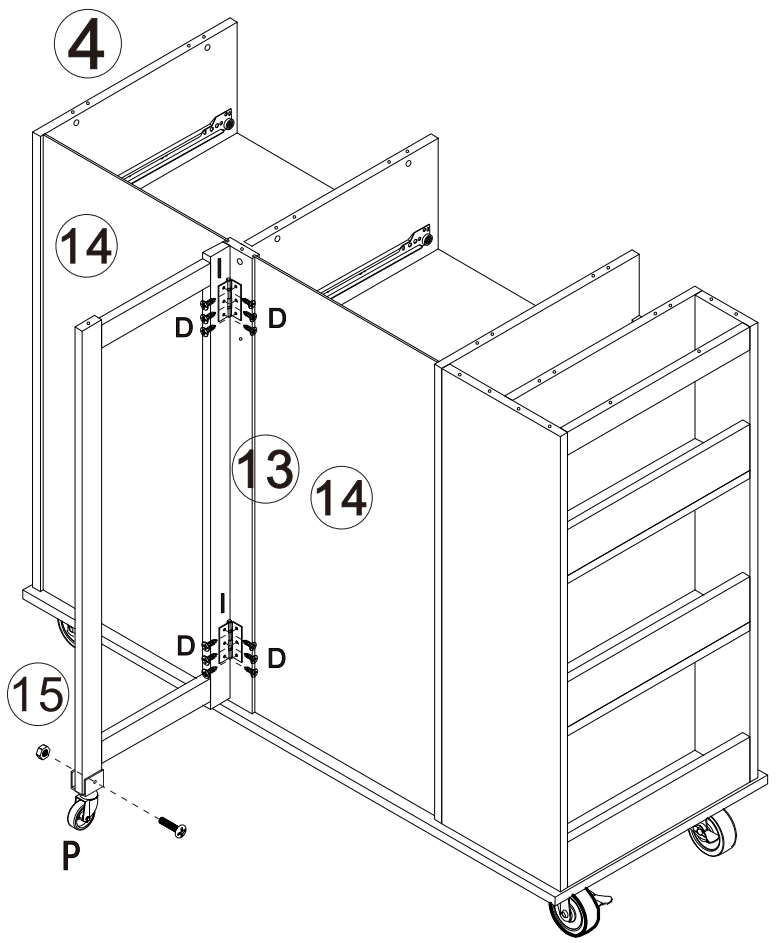
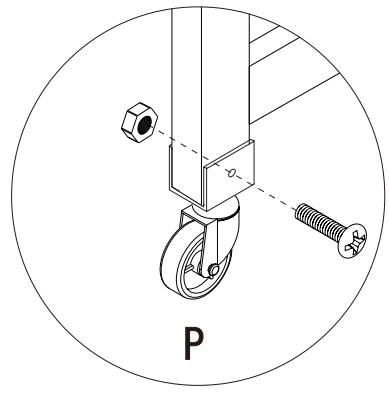
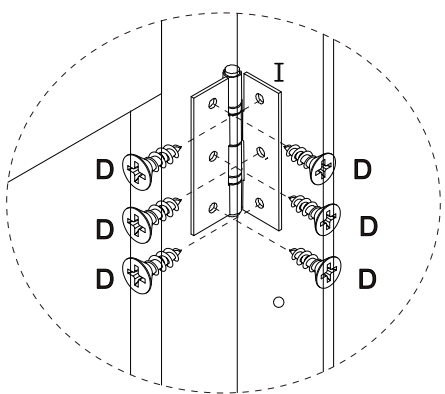
Connect hardware G/H to part 17 with screw F.




15



Put part 14 to glooves of part 13/4/17/3.

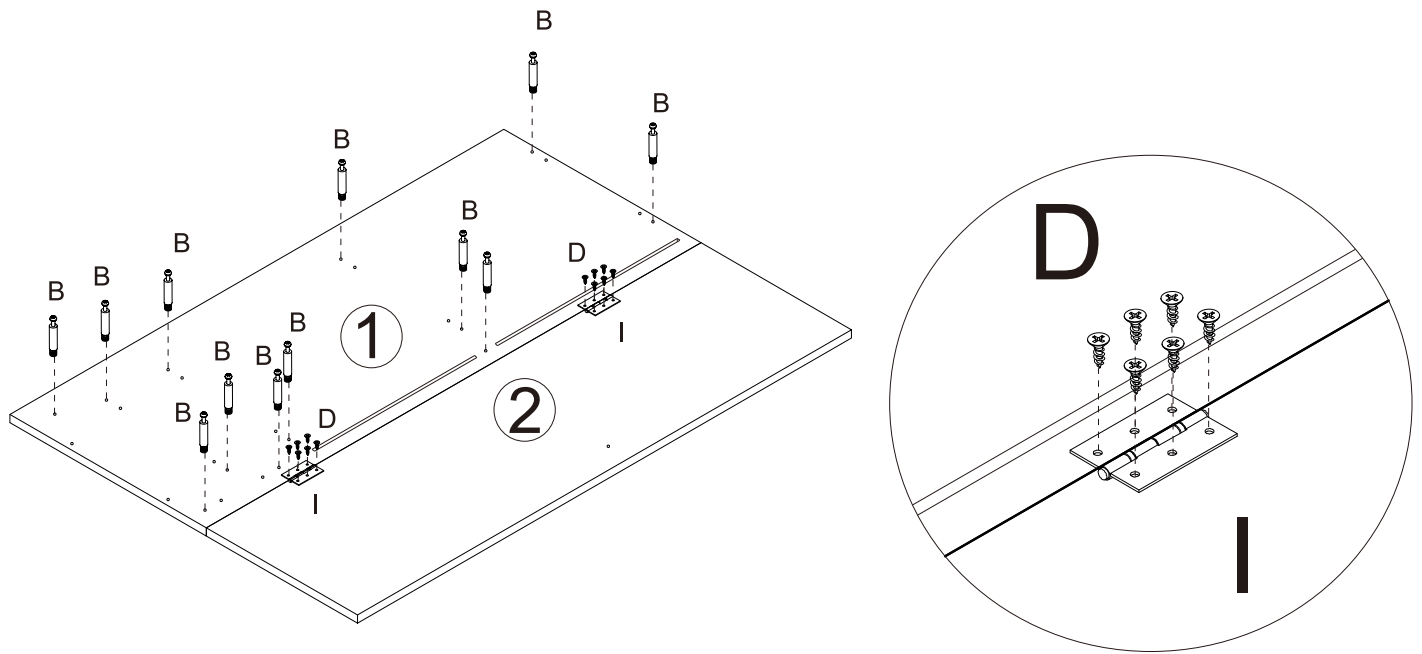
16






	Dx12
	Ix2
	Px1

Screw hardware P to part 15 with hardware P Connect part 15 to part 13 with hardware I and screw D.

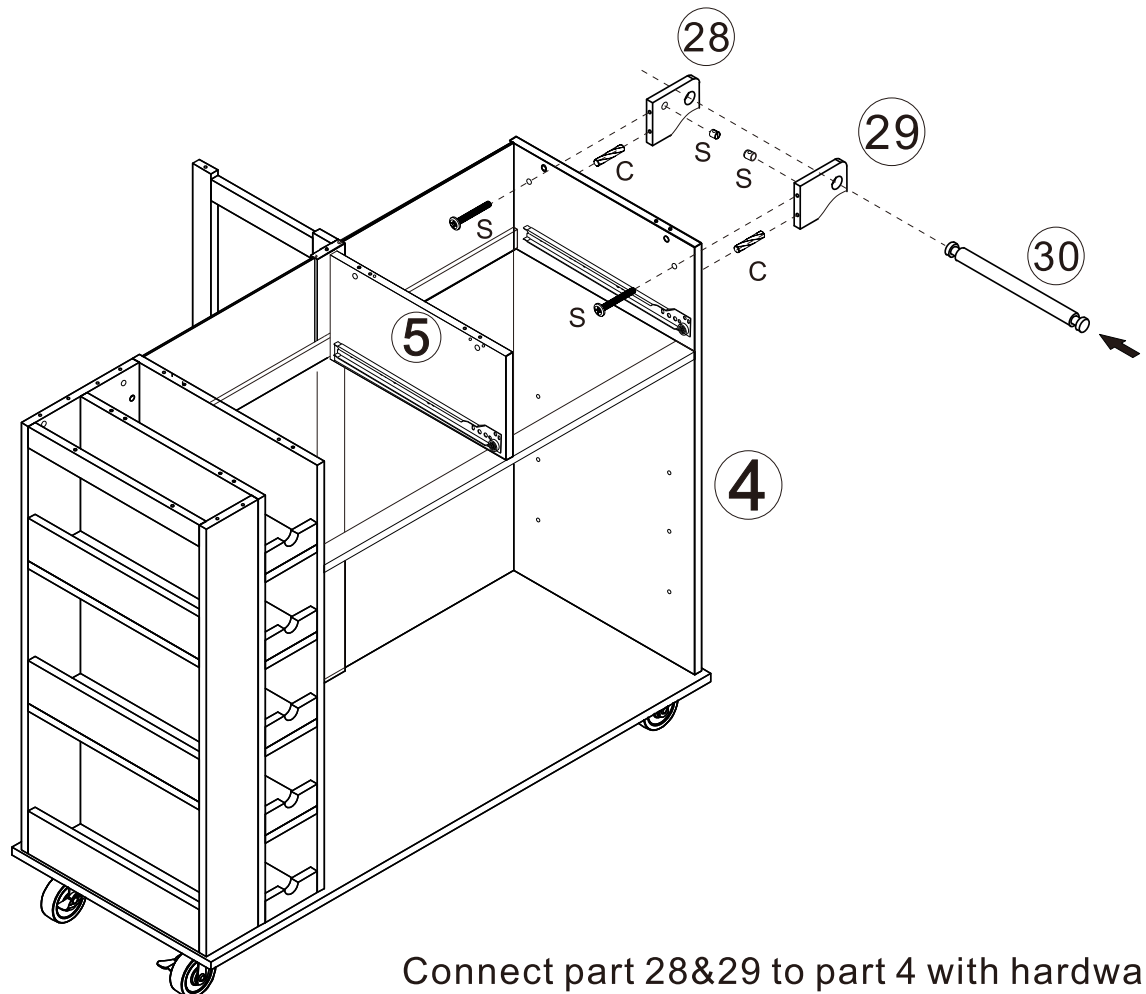
17





	Bx12
	Dx12
	Ix2

Connect part 1 and part 2 with hardware I and screw D.
Screw B to part 1.

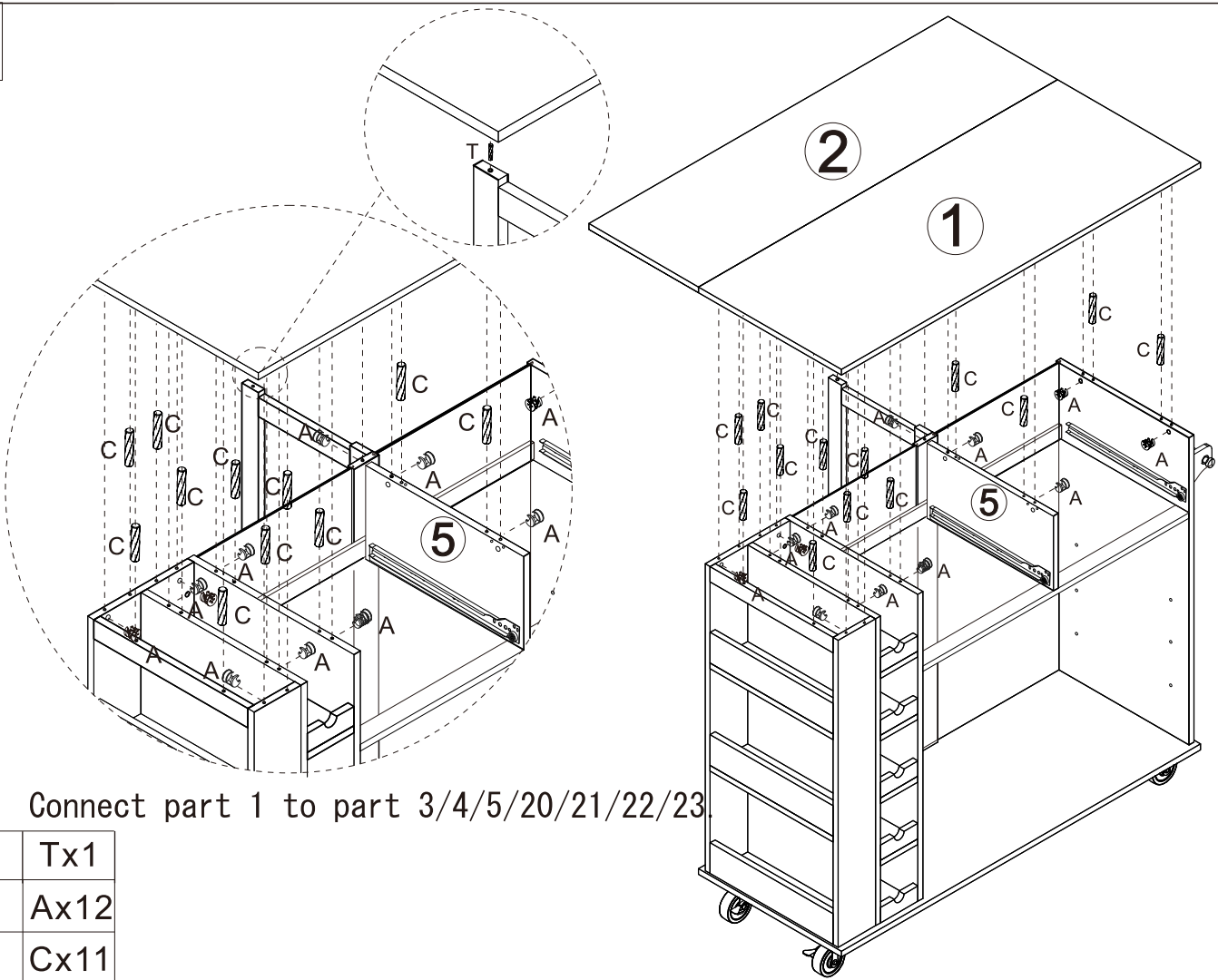
18






	Cx2
	Sx2

Connect part 28&29 to part 4 with hardware S.
Then put part 30 to part 28&29.

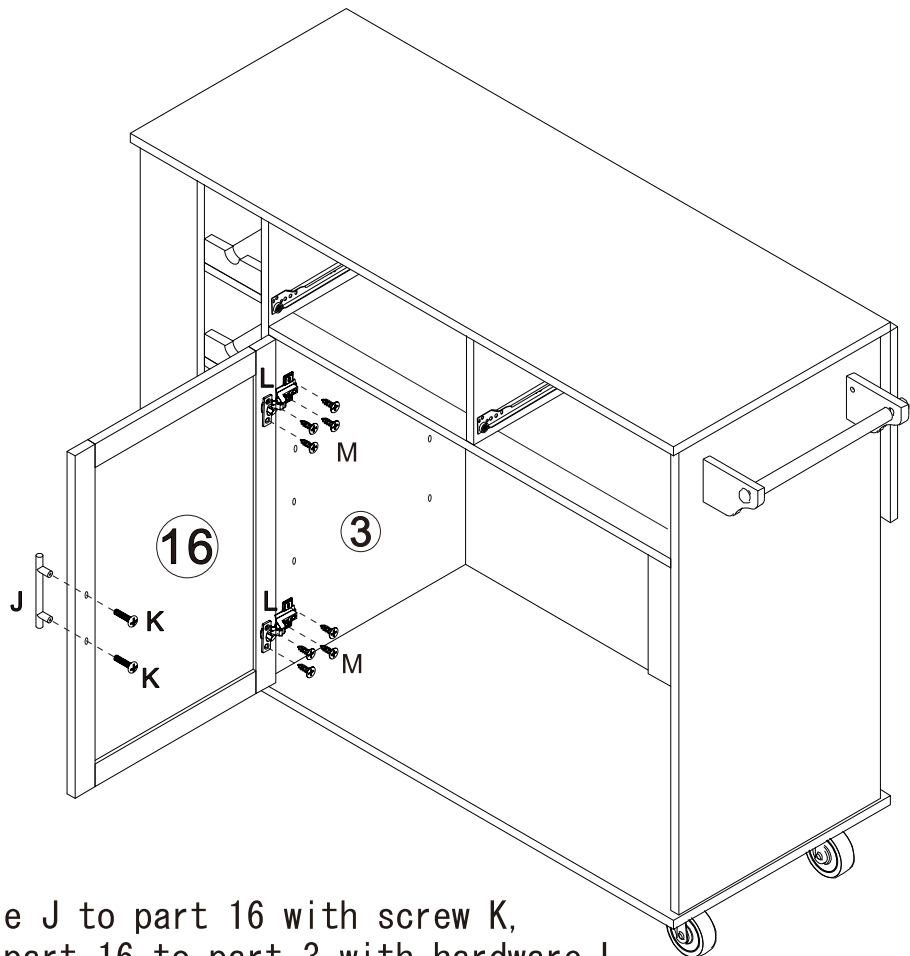
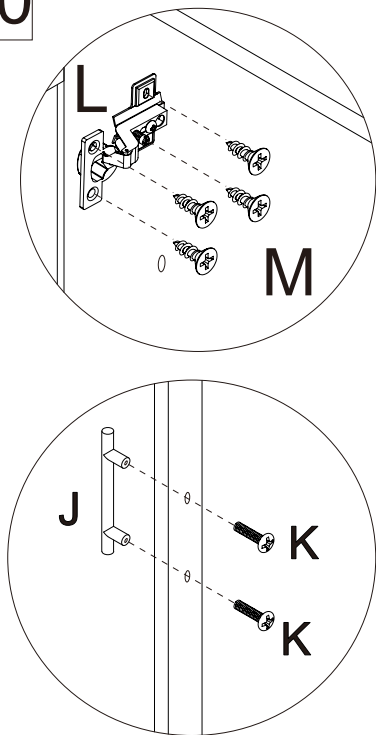
19

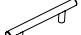





Connect part 1 to part 3/4/5/20/21/22/23.

	Tx1
	Ax12
	Cx11

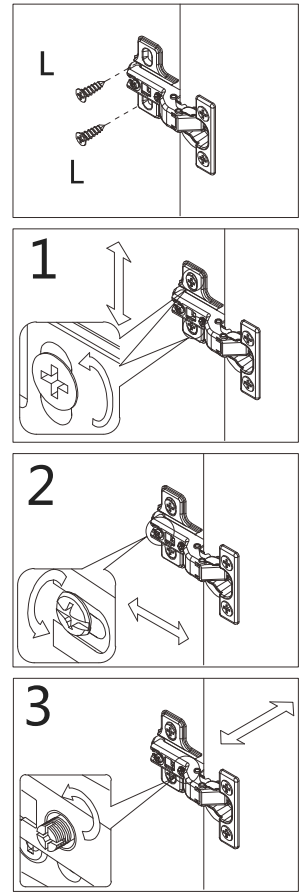
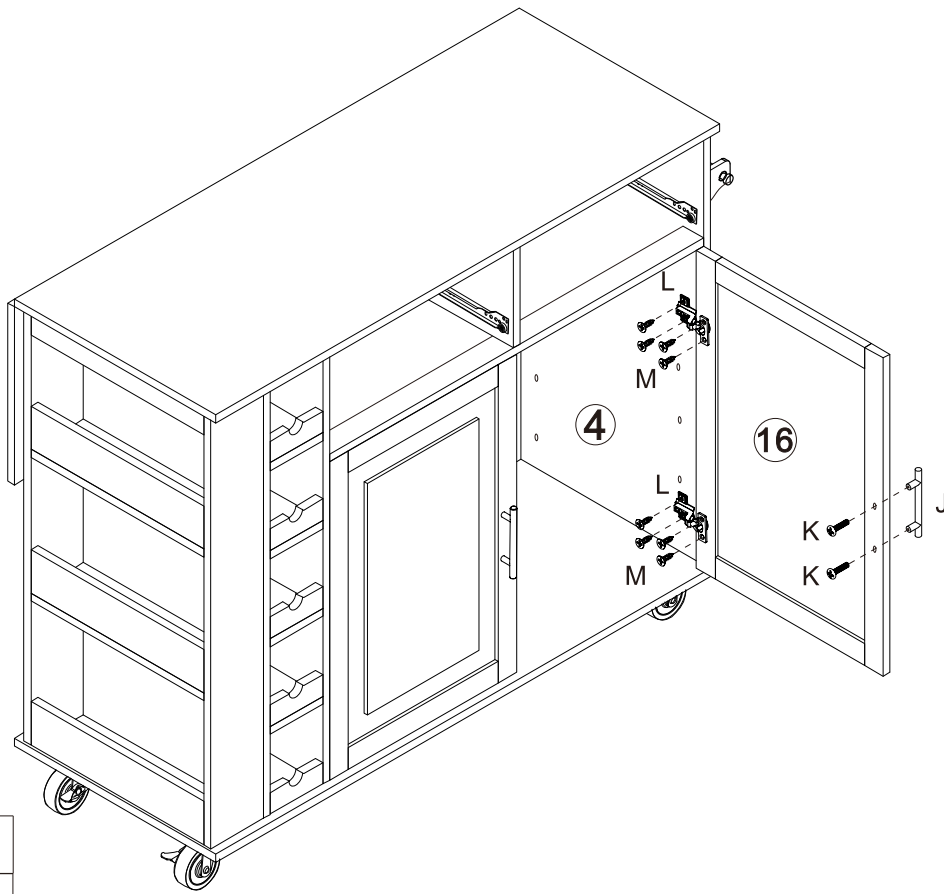
20



	Jx1
	Kx2
	Lx2
	Mx8

Connect handle J to part 16 with screw K, then connect part 16 to part 3 with hardware L and screw M.

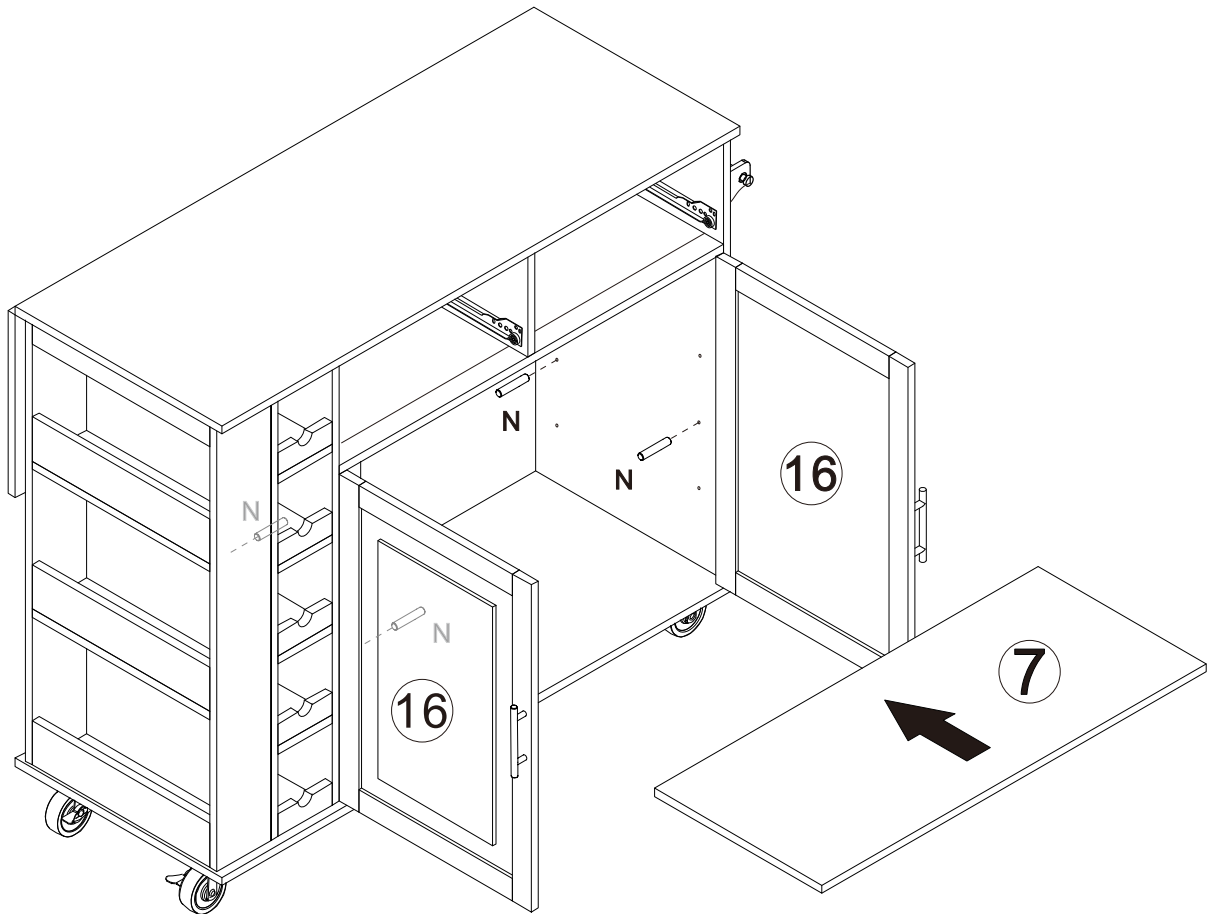
21



	Jx1
	Kx2
	Lx2
	Mx8

Connect handle J to part 16 with screw K, then connect part 16 to part 4 with hardware L and screw M.

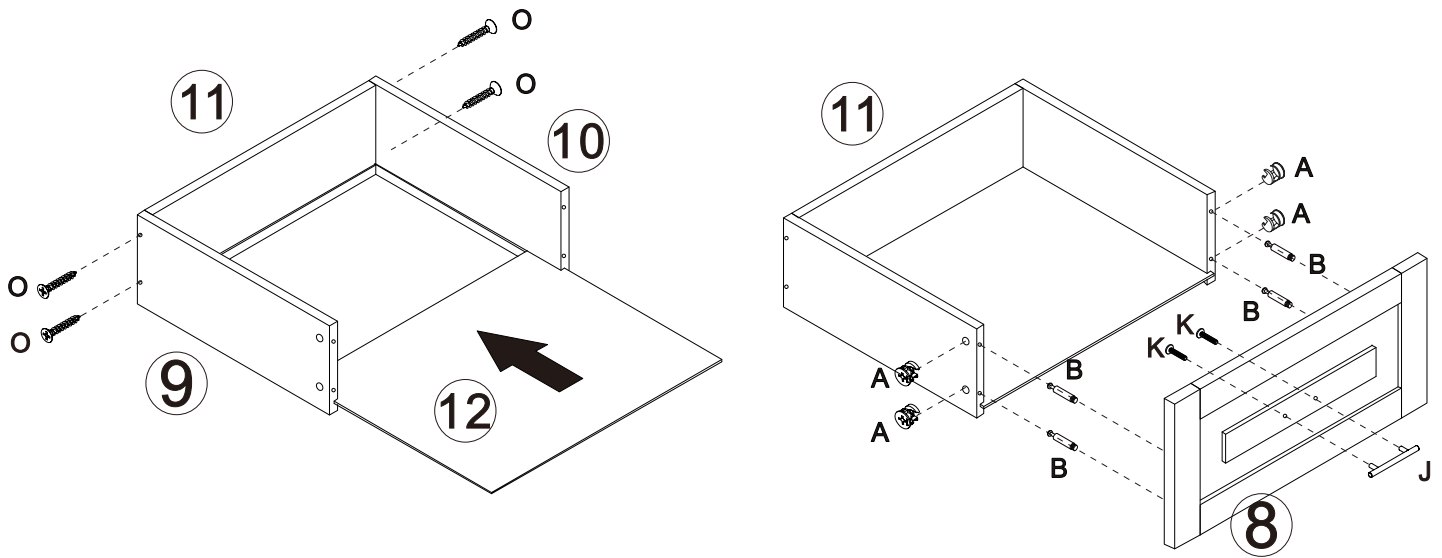
22



	Nx4
--	-----

Put hardware N to part 3/4 and put part 7 onto hardware N.

23 x2

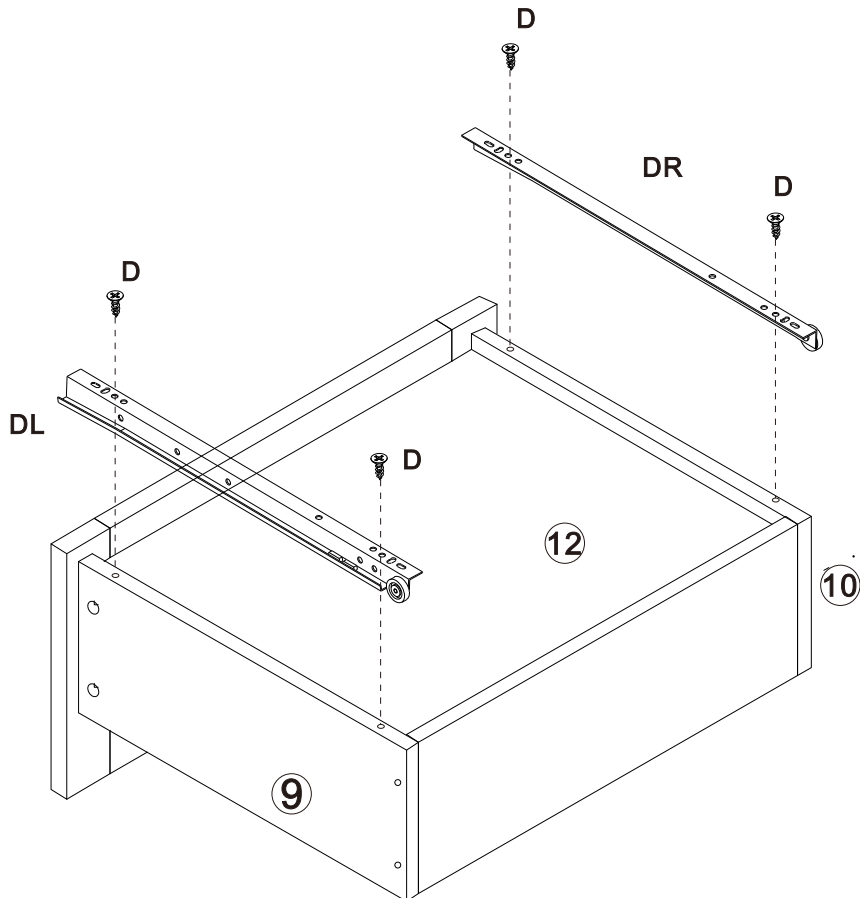


Connect part 9/10 to part 11 with screw 0.
 Put part 12 to grooves of part 9/10/11.
 Connect handle J to part 8 with K and connect
 part 8 to part 9/10 with hardware A/B.

	Ax8
	Bx8
	Ox8

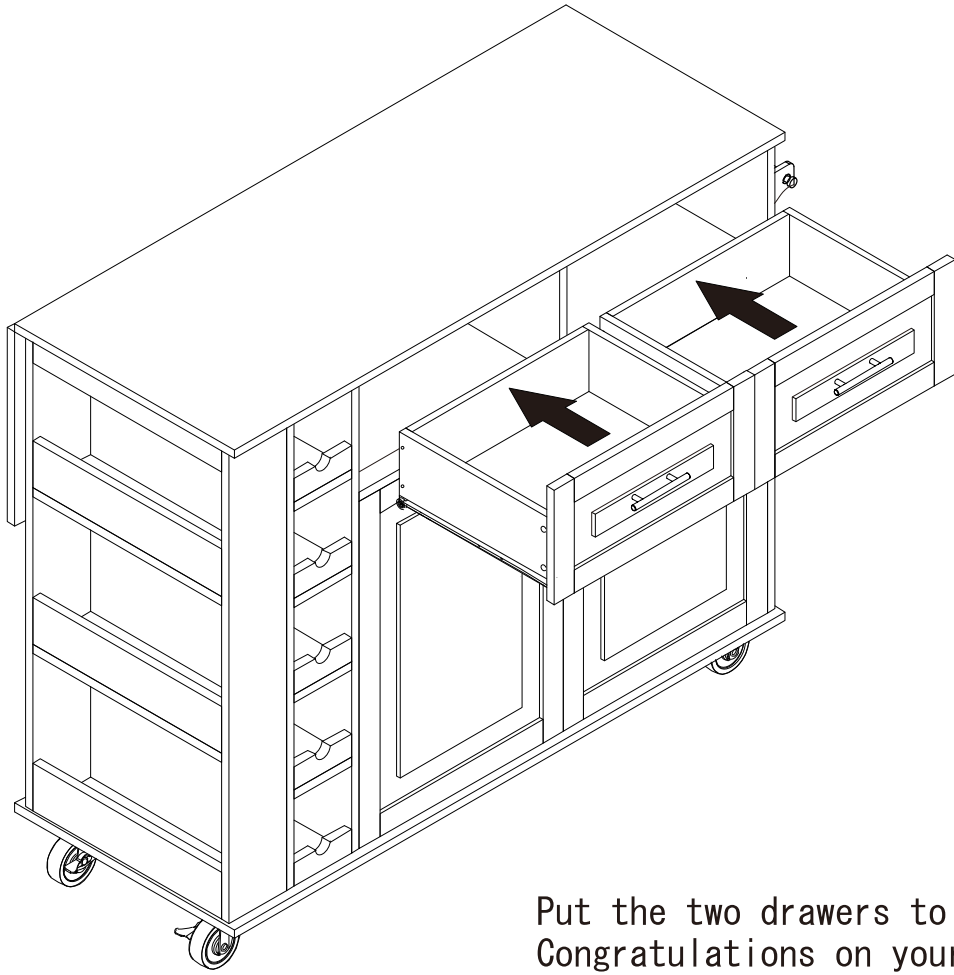
	Jx2
	Kx4

24 x2



Connect hardware DL to part 9 with screw D , connect hardware
 DR to part 10 with screw D

	Dx8
	DLx2
	DRx2



Put the two drawers to shelf.
Congratulations on your successful
installation of this product!