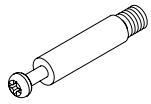
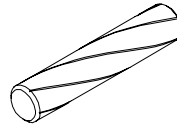


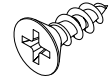
Ax71



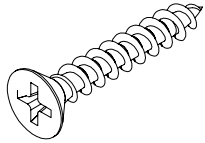
Bx71



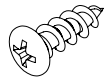
Cx81



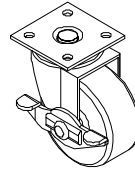
Dx40



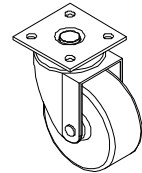
Ex12



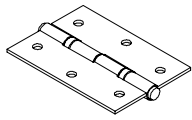
Fx16



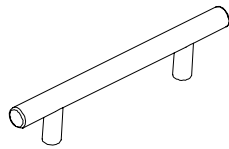
Gx2



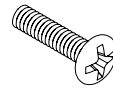
Hx2



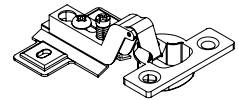
Ix4



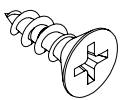
Jx4



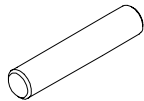
Kx8



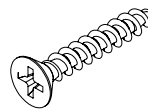
Lx4



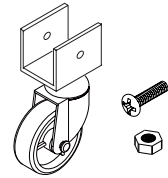
Mx16



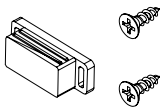
Nx4



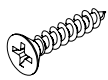
Ox8



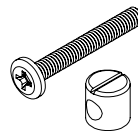
Px1



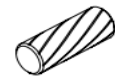
Qx1



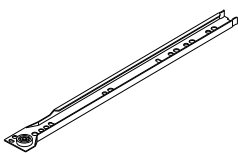
Rx1



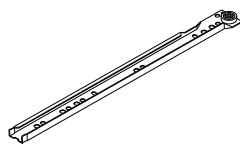
Sx2



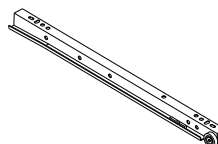
Tx2



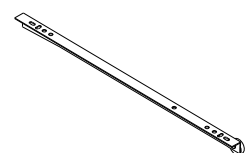
CLx2



CRx2

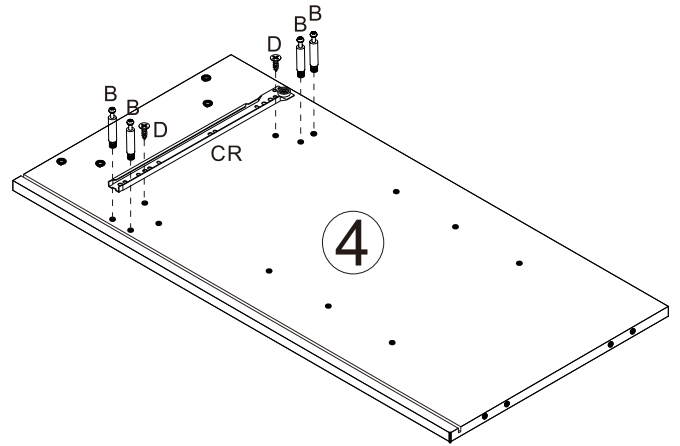
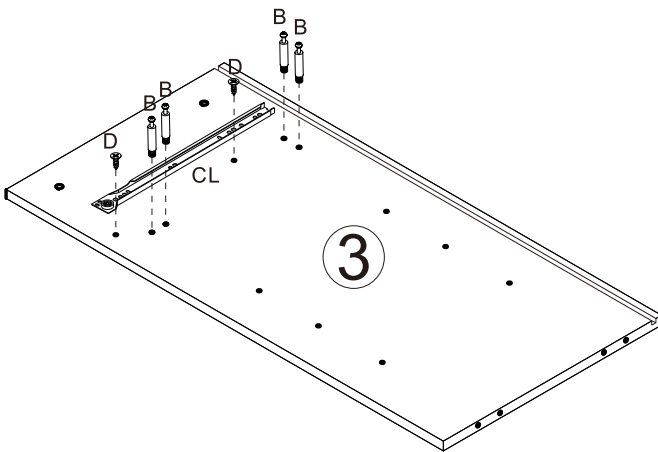
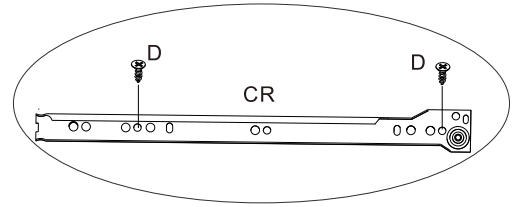
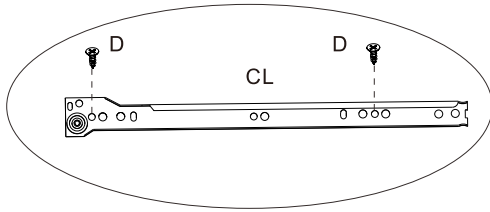


DLx2



DRx2

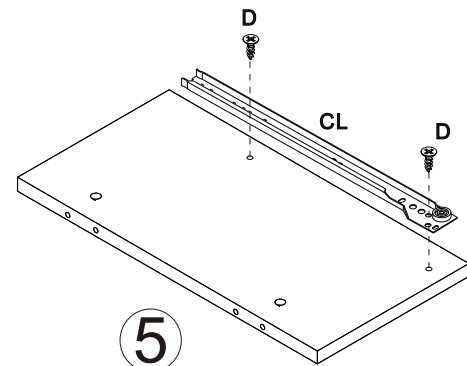
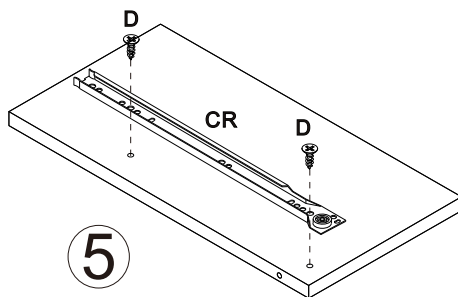
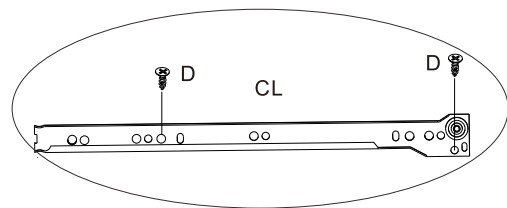
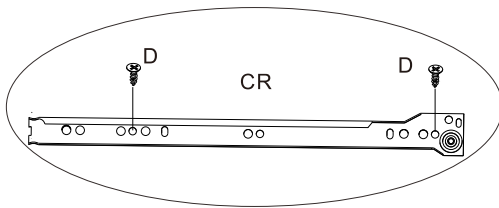
1



| | |
|--|------|
| | Bx8 |
| | Dx4 |
| | CLx1 |
| | CRx1 |

Connect hardware CL to part 3 with screw D
 Screw hardware B to part 3 and part 4.
 Connect hardware CR to part 4 with screw D

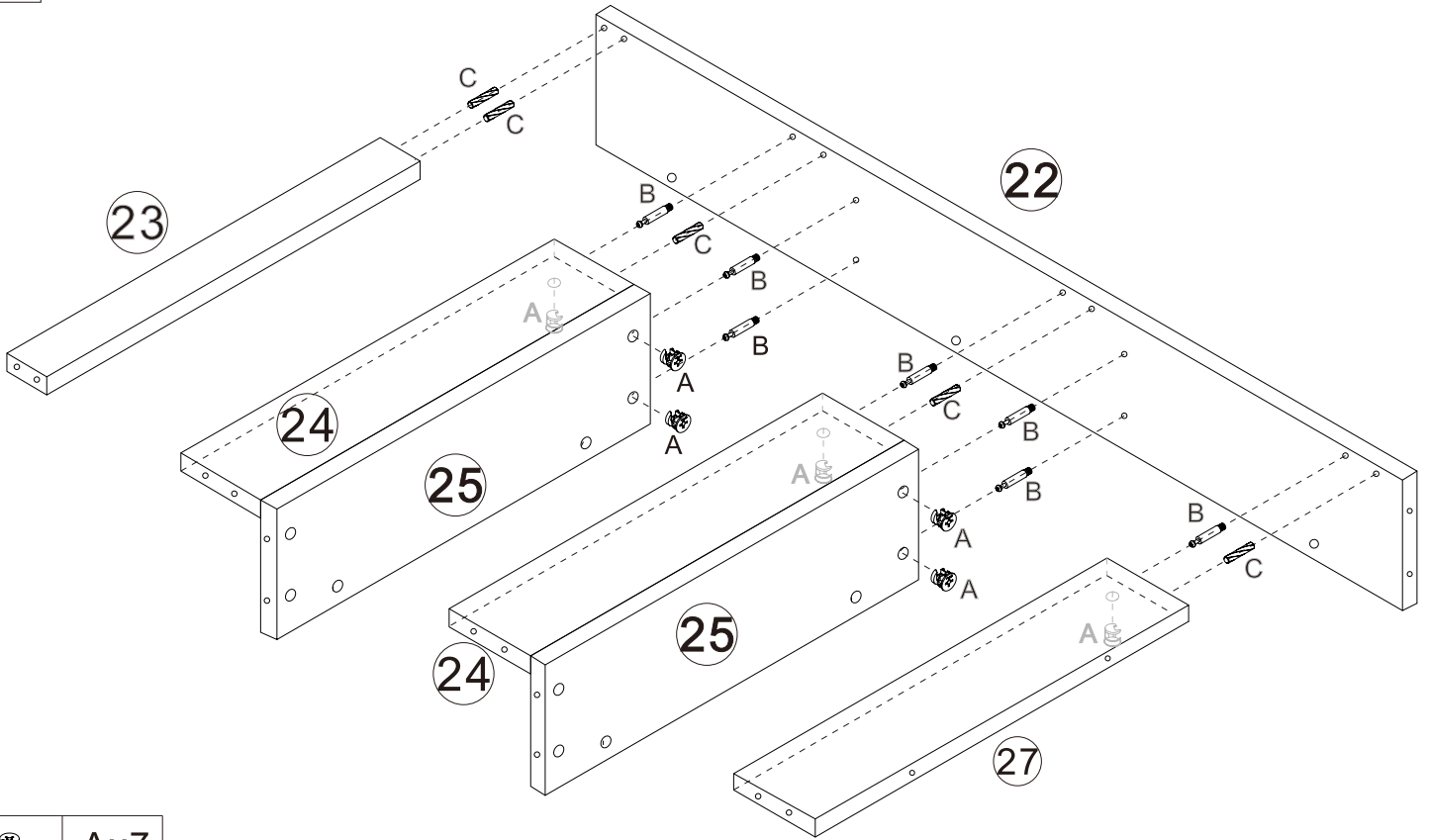
2






| | |
|--|------|
| | Dx4 |
| | CLx1 |
| | CRx1 |

Connect hardware CL and CR to part 5 with screw D,
 make sure to separate left and right for hardware C.

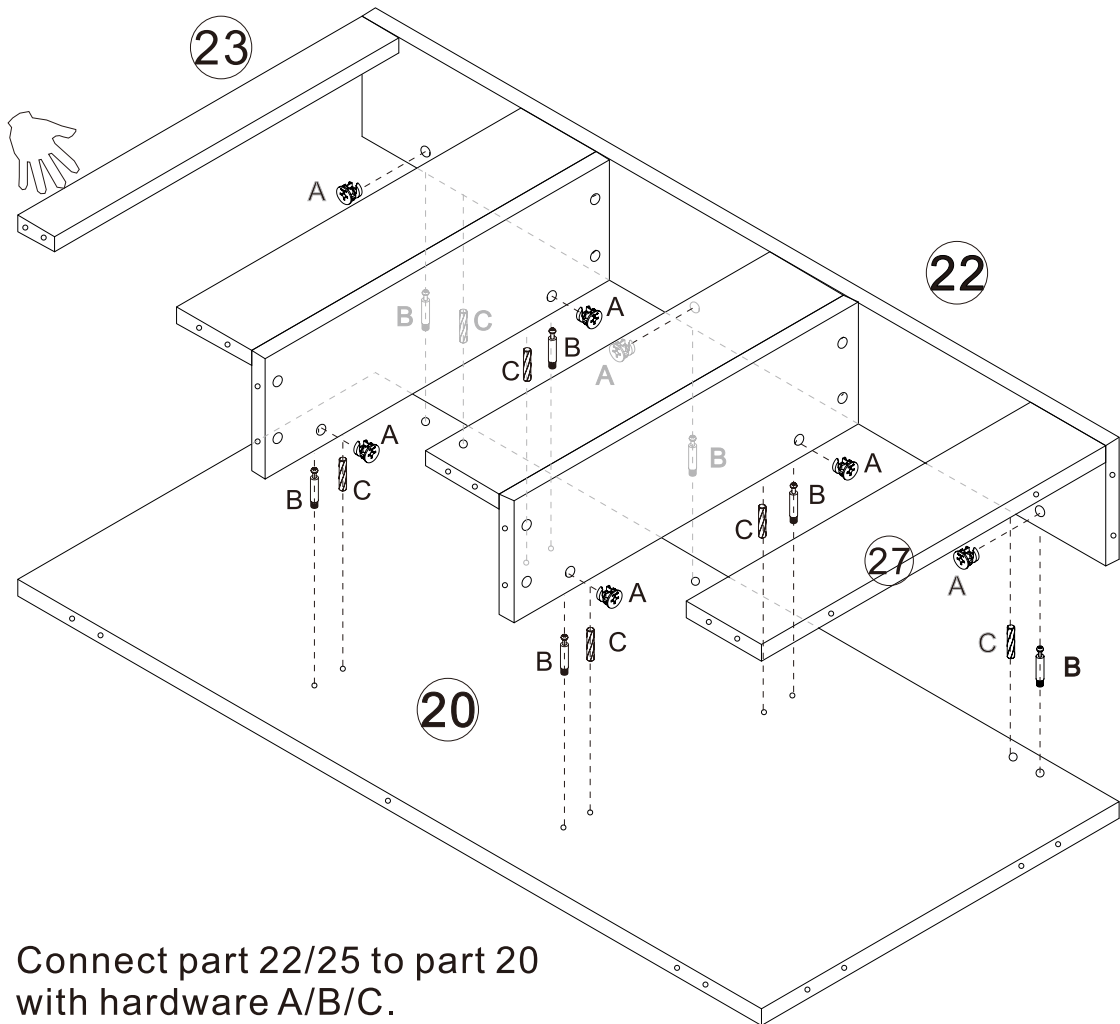
3






| | |
|--|-----|
|  | Ax7 |
|  | Bx7 |
|  | Cx5 |

Connect part 23/24/25/27 to part 22 with hardware A/B/C.

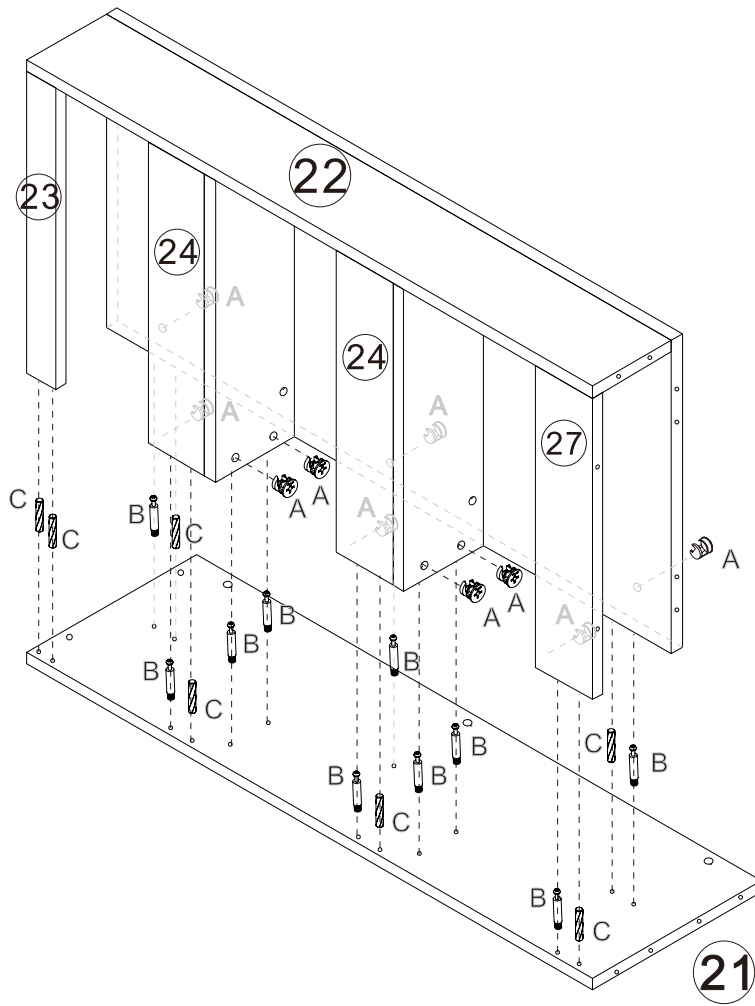
4






| | |
|--|-----|
|  | Ax7 |
|  | Bx7 |
|  | Cx6 |

Connect part 22/25 to part 20 with hardware A/B/C.

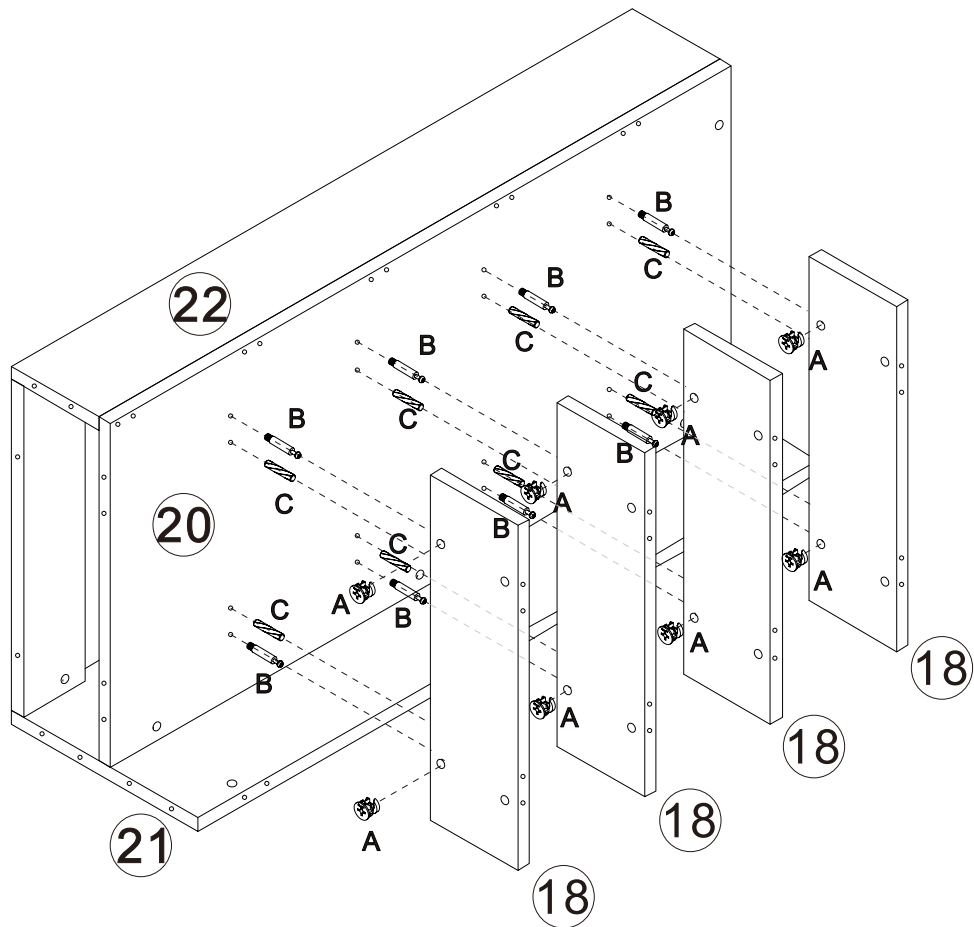
5






| | |
|--|------|
|  | Ax10 |
|  | Bx10 |
|  | Cx7 |

Connect part 23/24/25/27 to part 21 with hardware A/B/C.

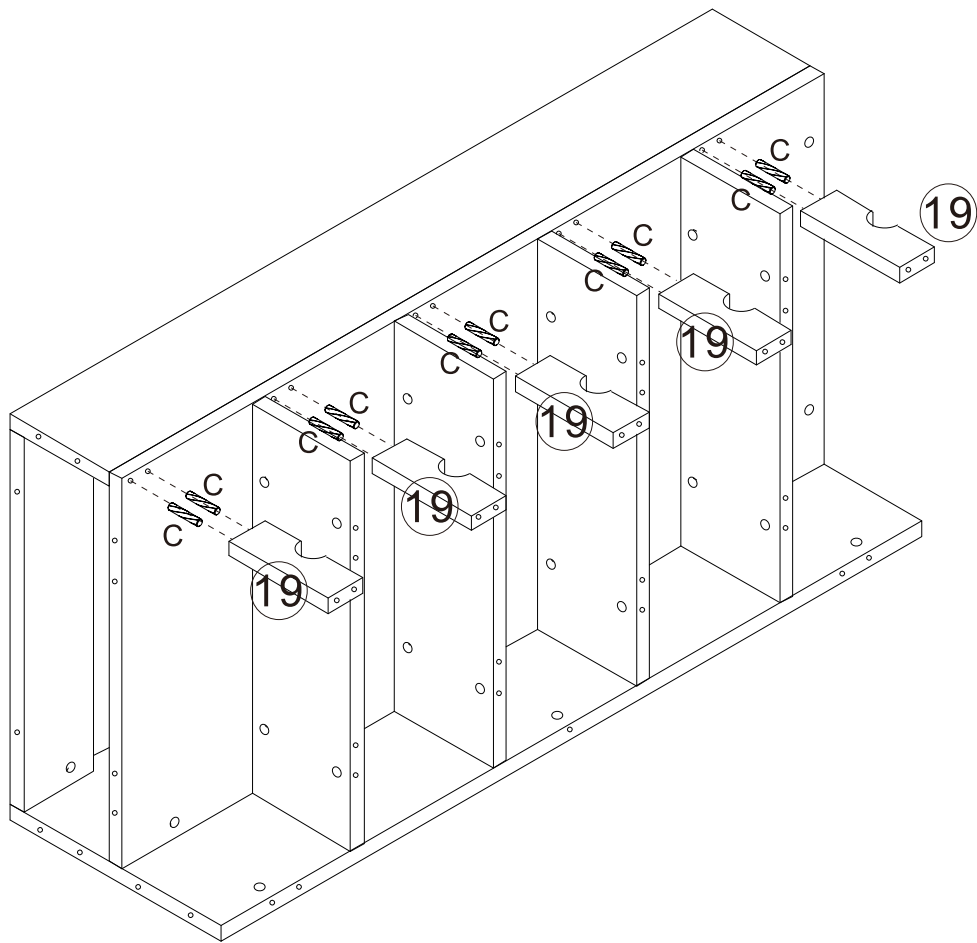
6



| | |
|--|-----|
|  | Ax8 |
|  | Bx8 |
|  | Cx8 |

Connect part 18 to part 20 with hardware A/B/C.

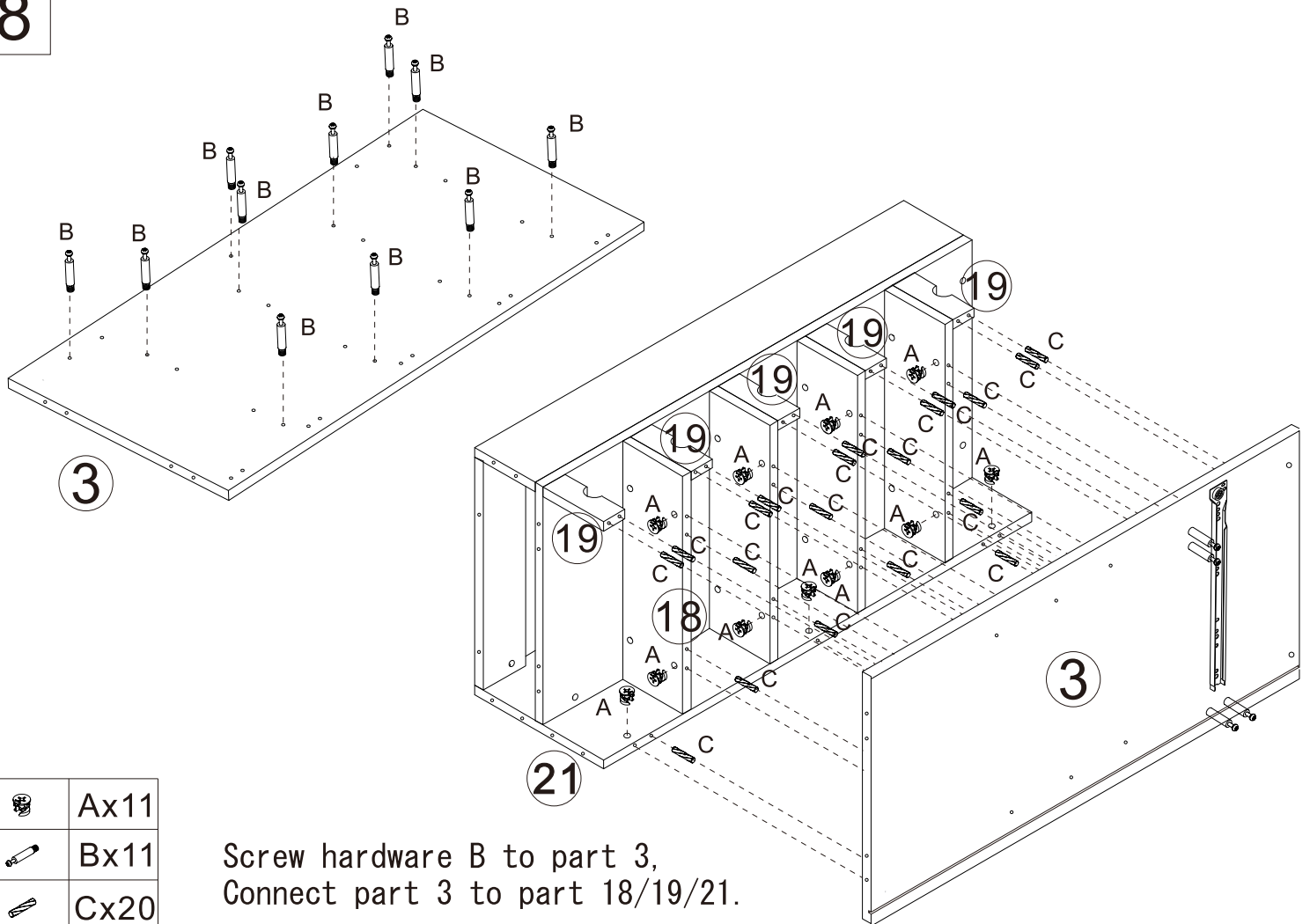
7



Cx10

Connect part 19 to part 20 with hardware C.

8



Ax11



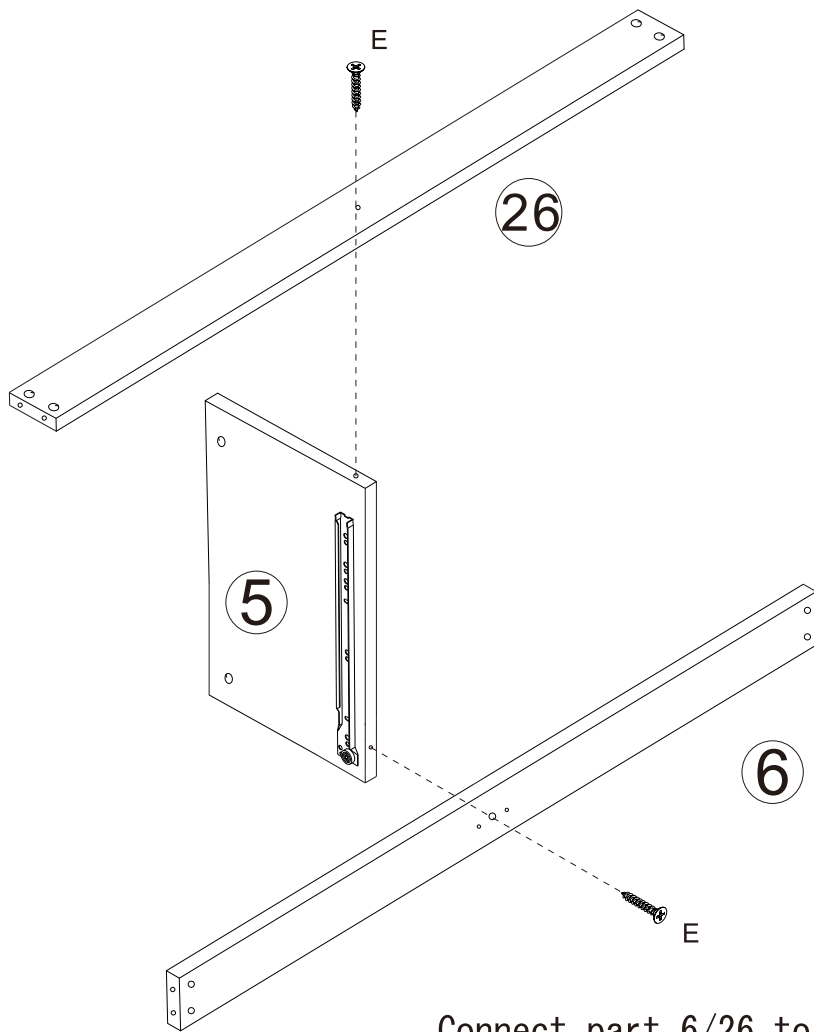
Bx11



Cx20

Screw hardware B to part 3,
Connect part 3 to part 18/19/21.

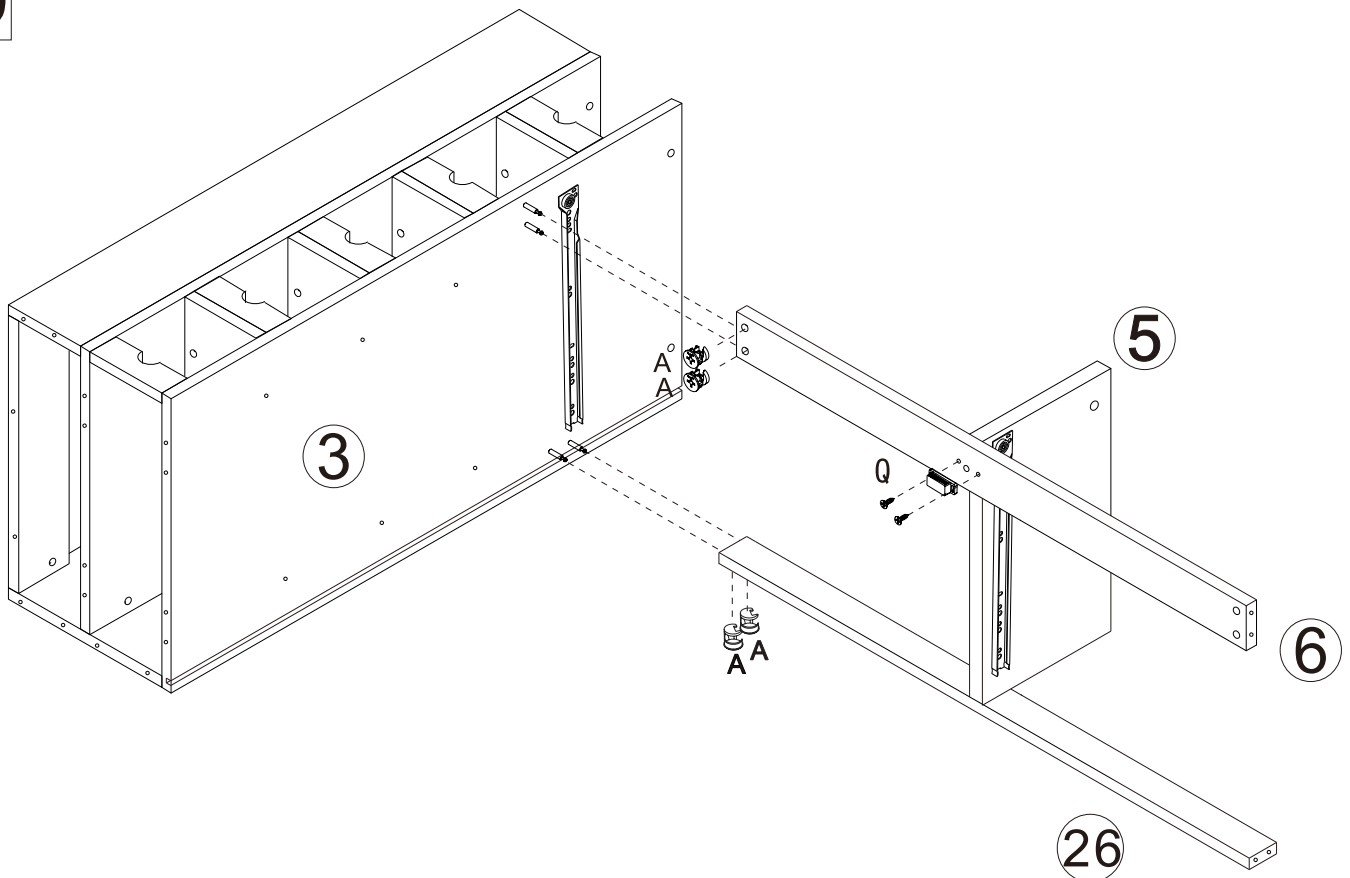
9



Ex2

Connect part 6/26 to part 5 with screw E.

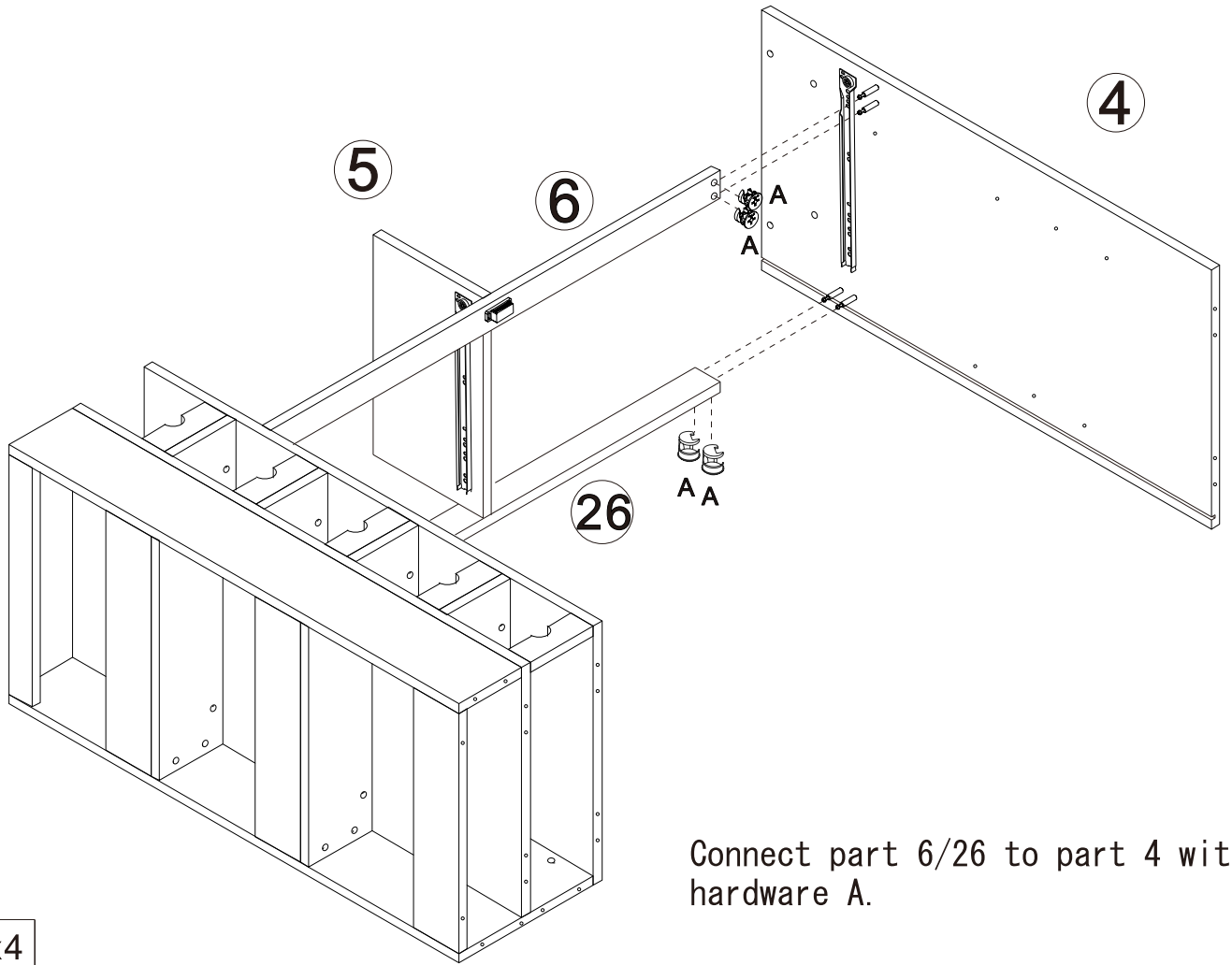
10



| | |
|--|-----|
| | Ax4 |
| | Qx1 |

Connect part 6/26 to part 3 with hardware A.
Connect hardware Q to part 6

11

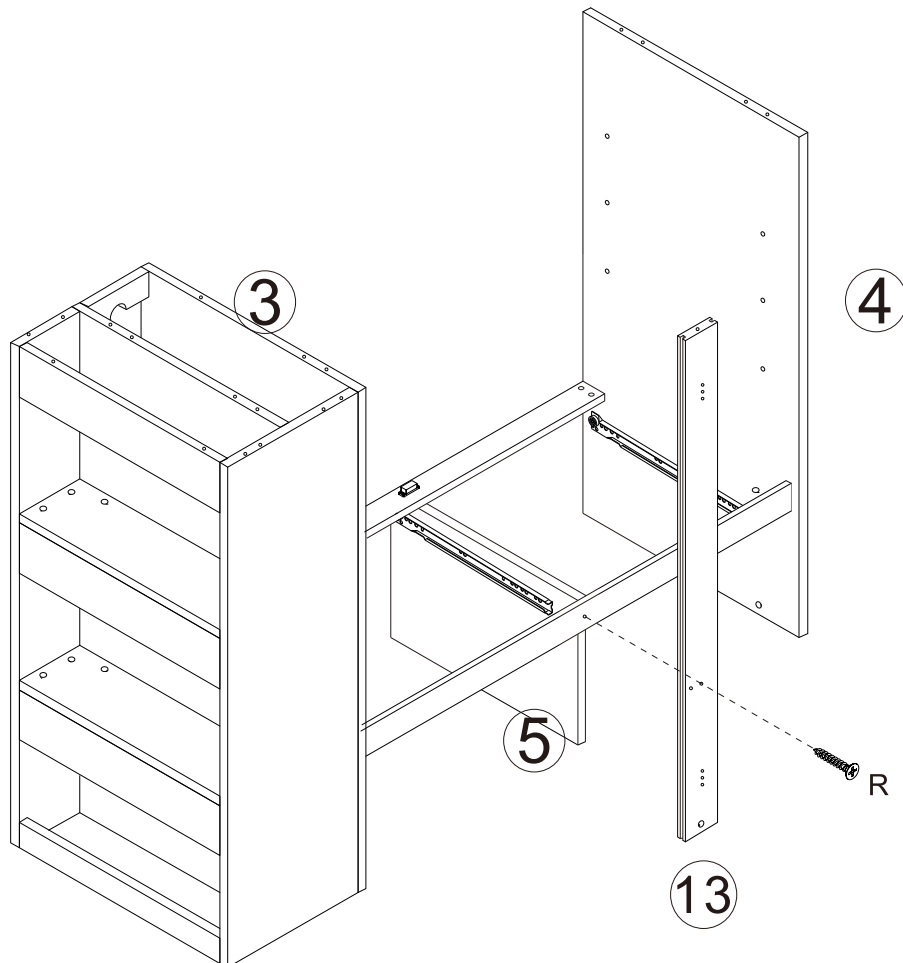


Connect part 6/26 to part 4 with hardware A.



Ax4

12

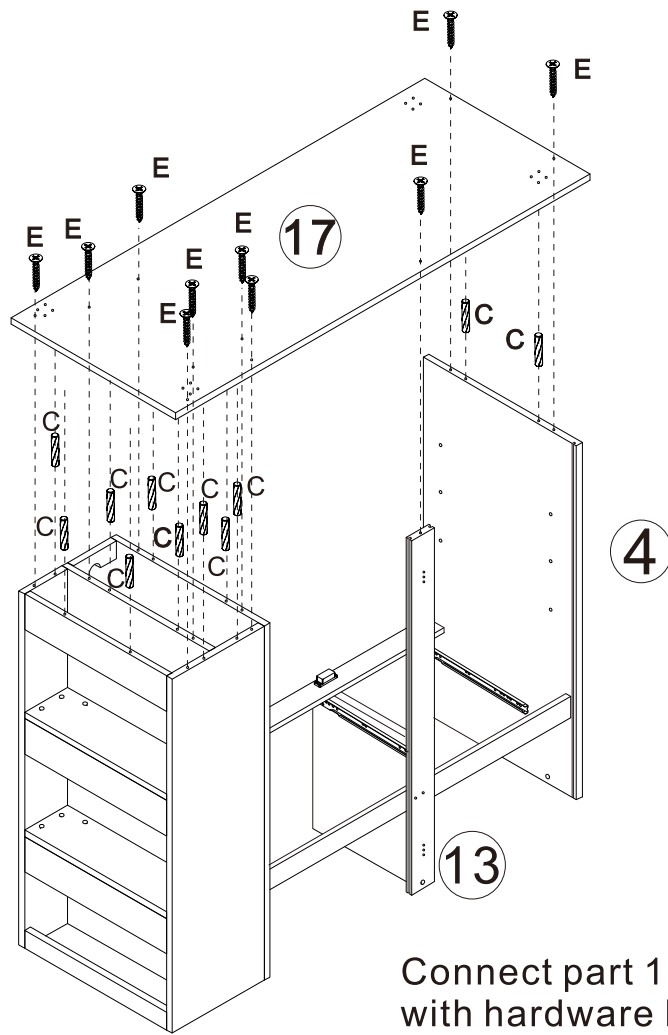




Connect part 26 to part 13 with screw R.



Rx1

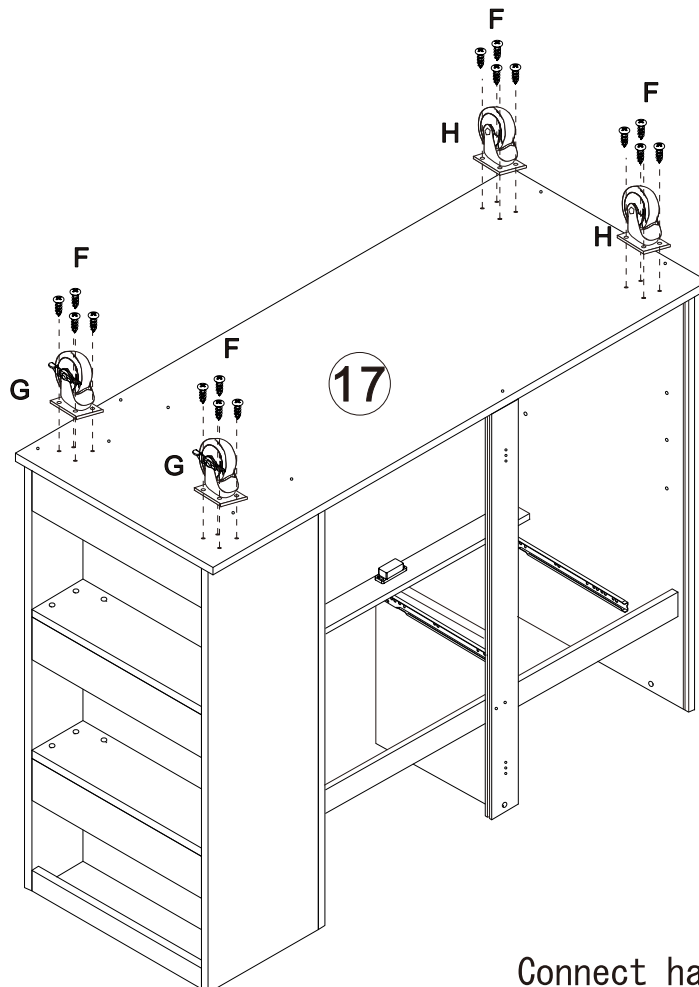
13






| | |
|--|------|
|  | Cx11 |
|  | Ex10 |

Connect part 17 to part 3/4/13/20/21/22/23 with hardware E/C.

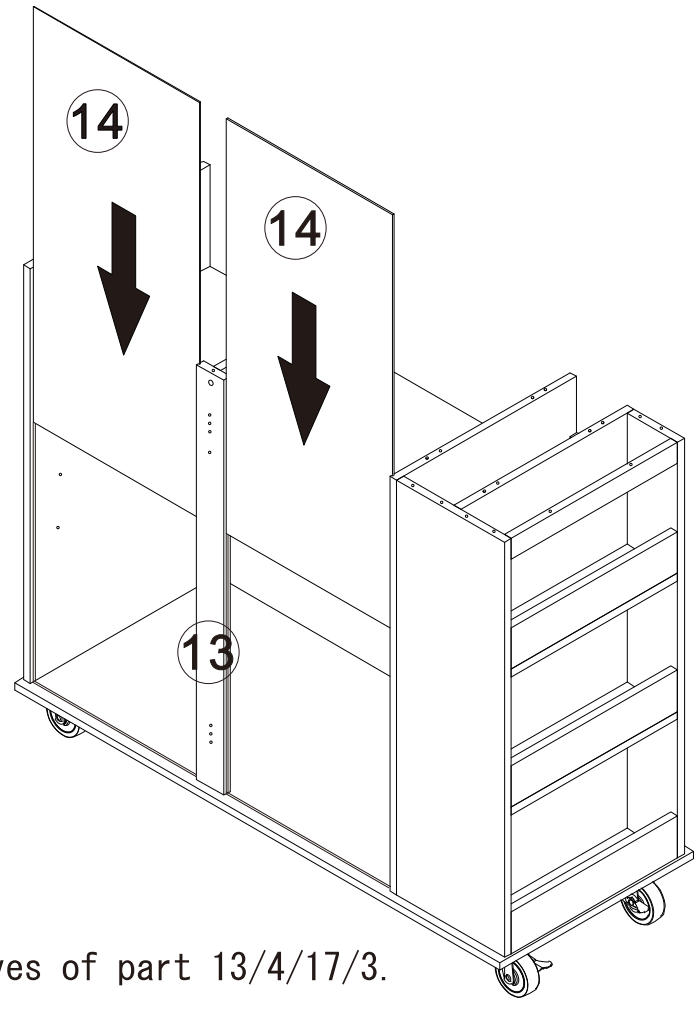
14



| | |
|--|------|
|  | Fx16 |
|  | Gx2 |
|  | Hx2 |

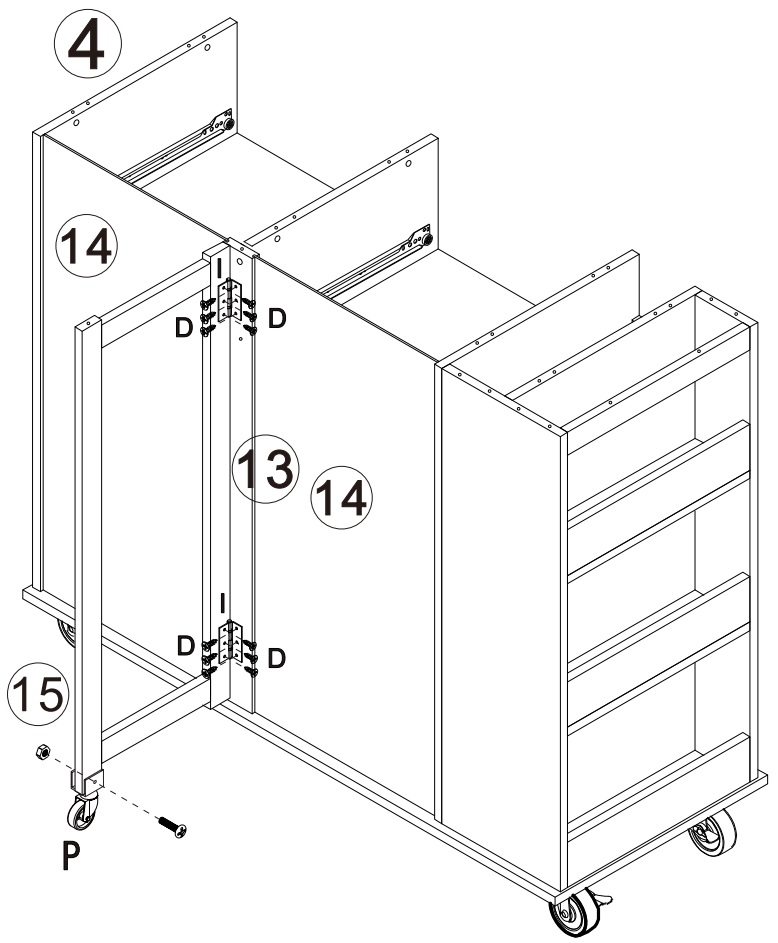
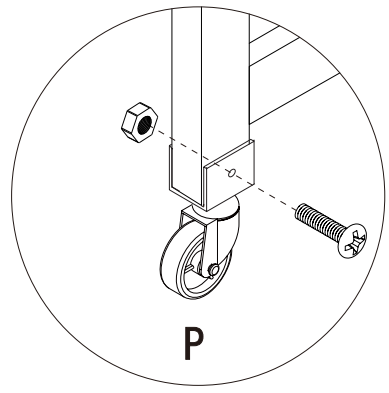
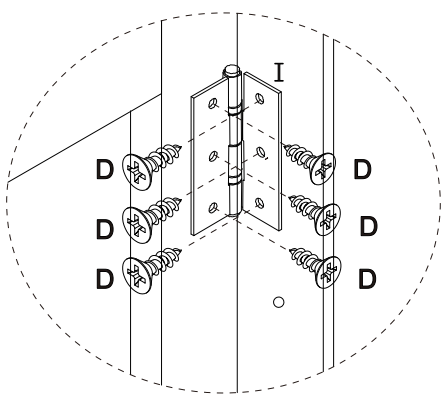
Connect hardware G/H to part 17 with screw F.




15



Put part 14 to glooves of part 13/4/17/3.

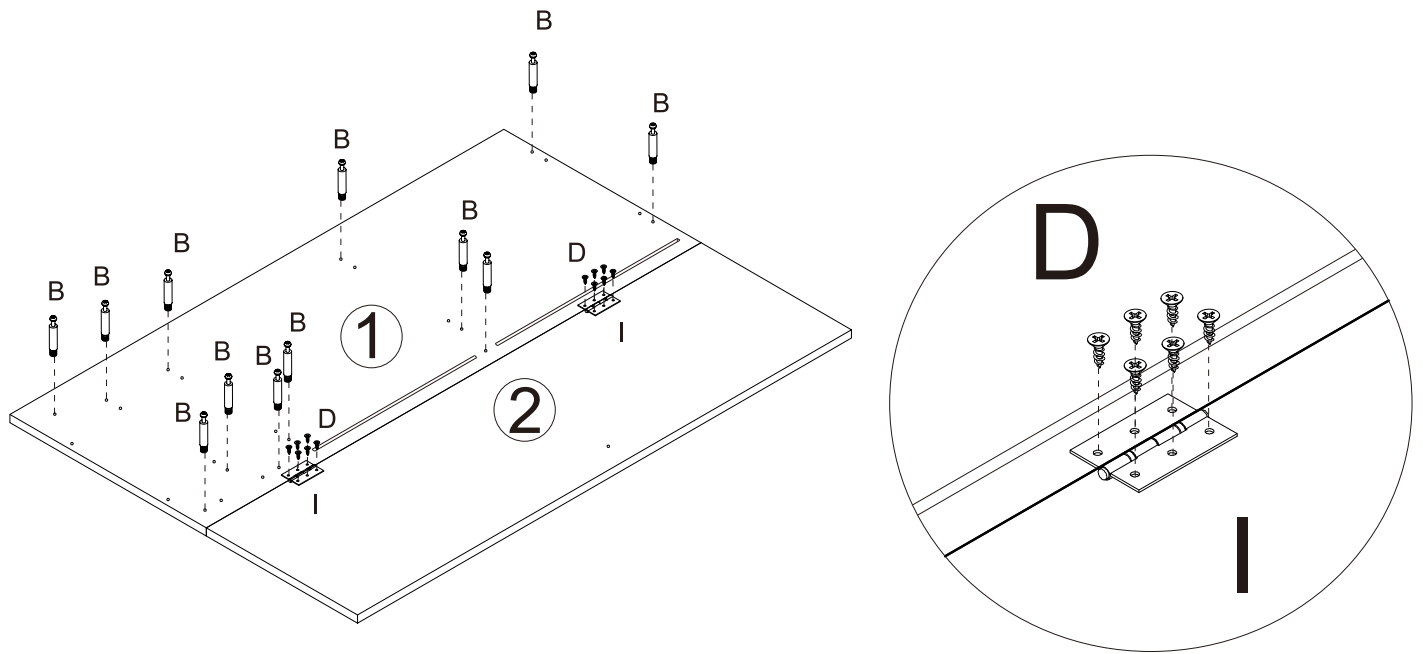
16






| | |
|--|------|
|  | Dx12 |
|  | Ix2 |
|  | Px1 |

Screw hardware P to part 15 with hardware P Connect part 15 to part 13 with hardware I and screw D.

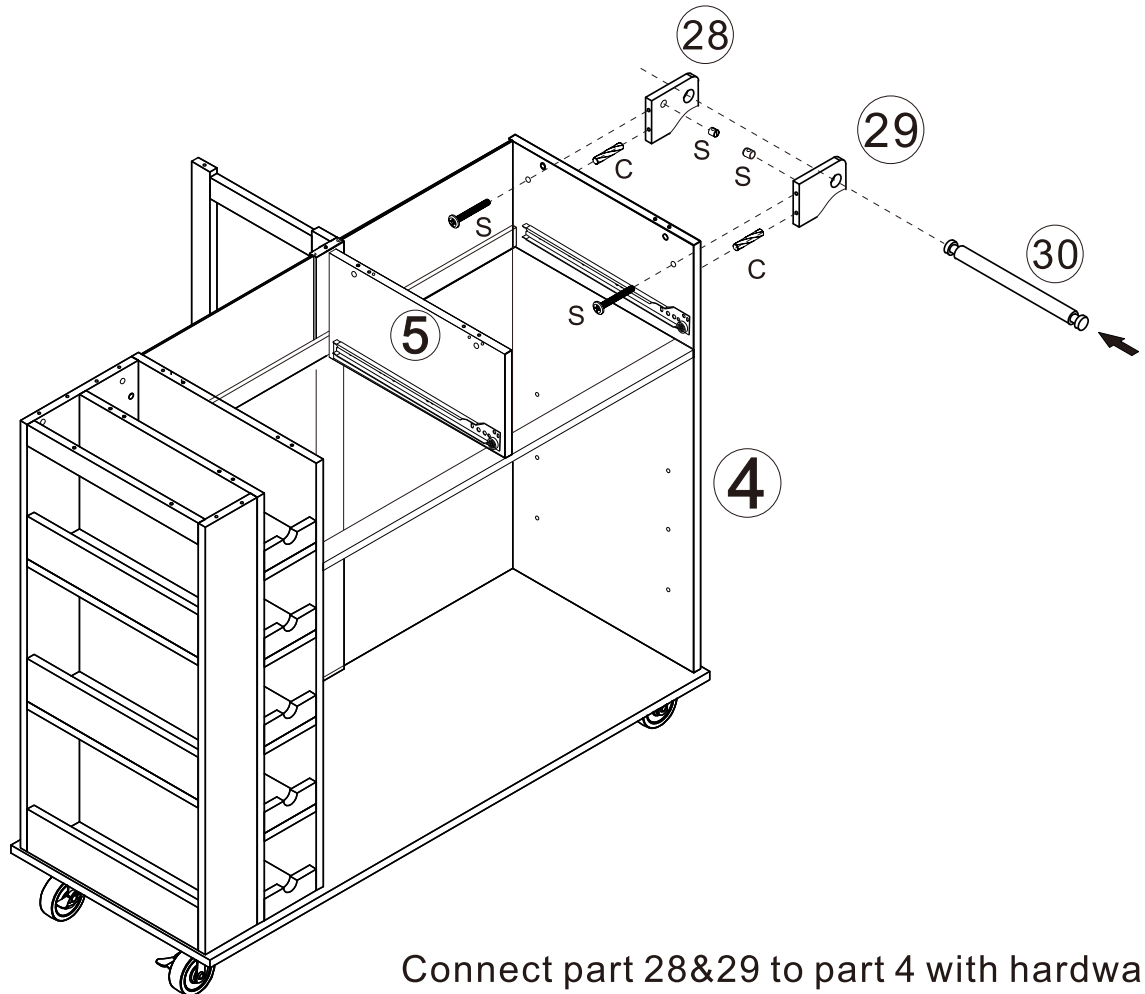
17





| | |
|--|------|
|  | Bx12 |
|  | Dx12 |
|  | Ix2 |

Connect part 1 and part 2 with hardware I and screw D.
Screw B to part 1.

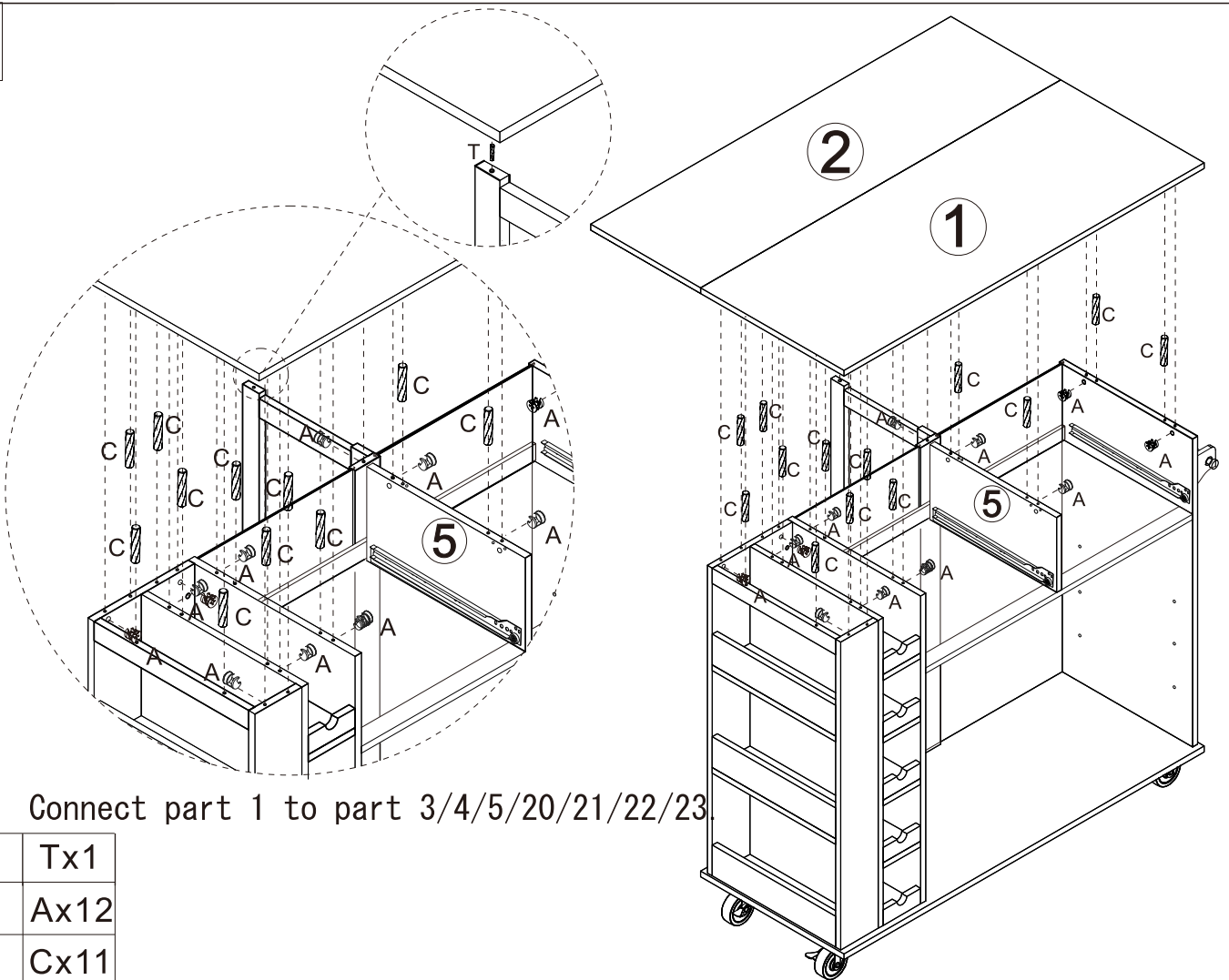
18






| | |
|--|-----|
|  | Cx2 |
|  | Sx2 |

Connect part 28&29 to part 4 with hardware S.
Then put part 30 to part 28&29.

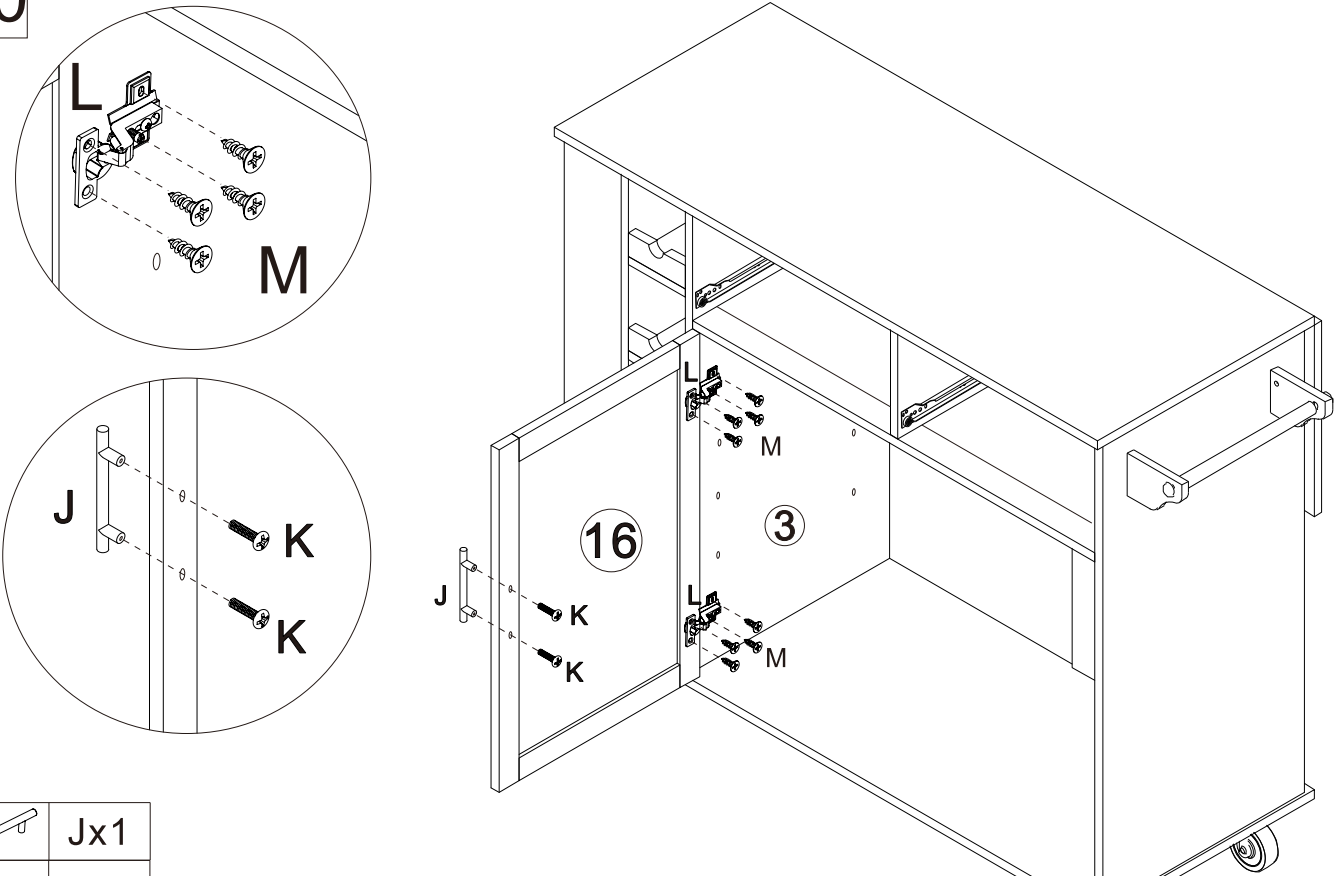
19



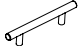



Connect part 1 to part 3/4/5/20/21/22/23.

| | |
|--|------|
|  | Tx1 |
|  | Ax12 |
|  | Cx11 |

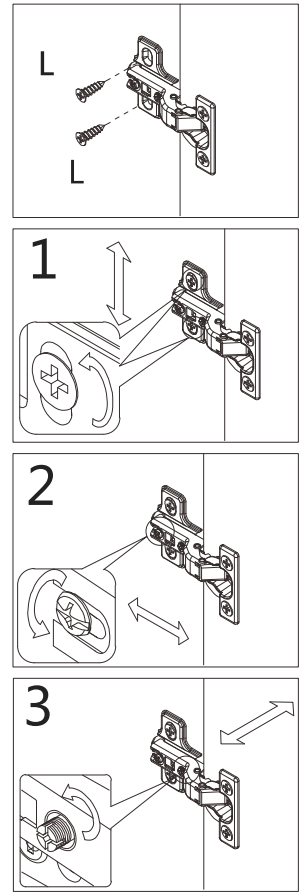
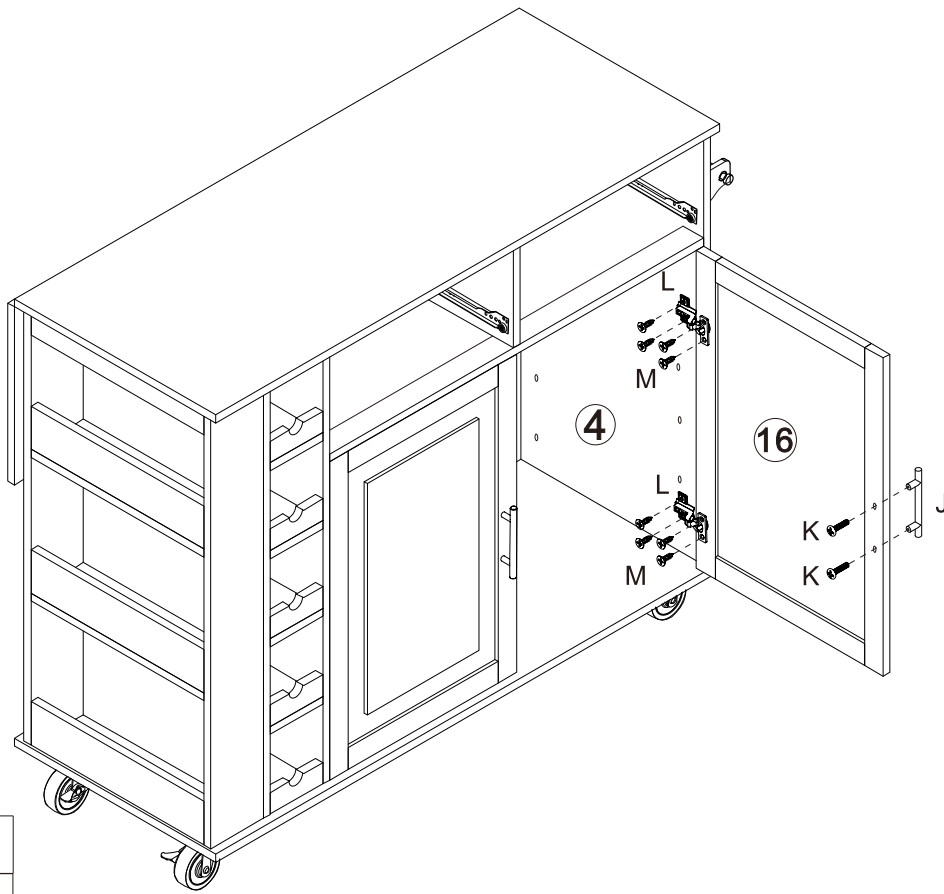
20

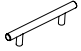





Connect handle J to part 16 with screw K, then connect part 16 to part 3 with hardware L and screw M.

| | |
|--|-----|
|  | Jx1 |
|  | Kx2 |
|  | Lx2 |
|  | Mx8 |

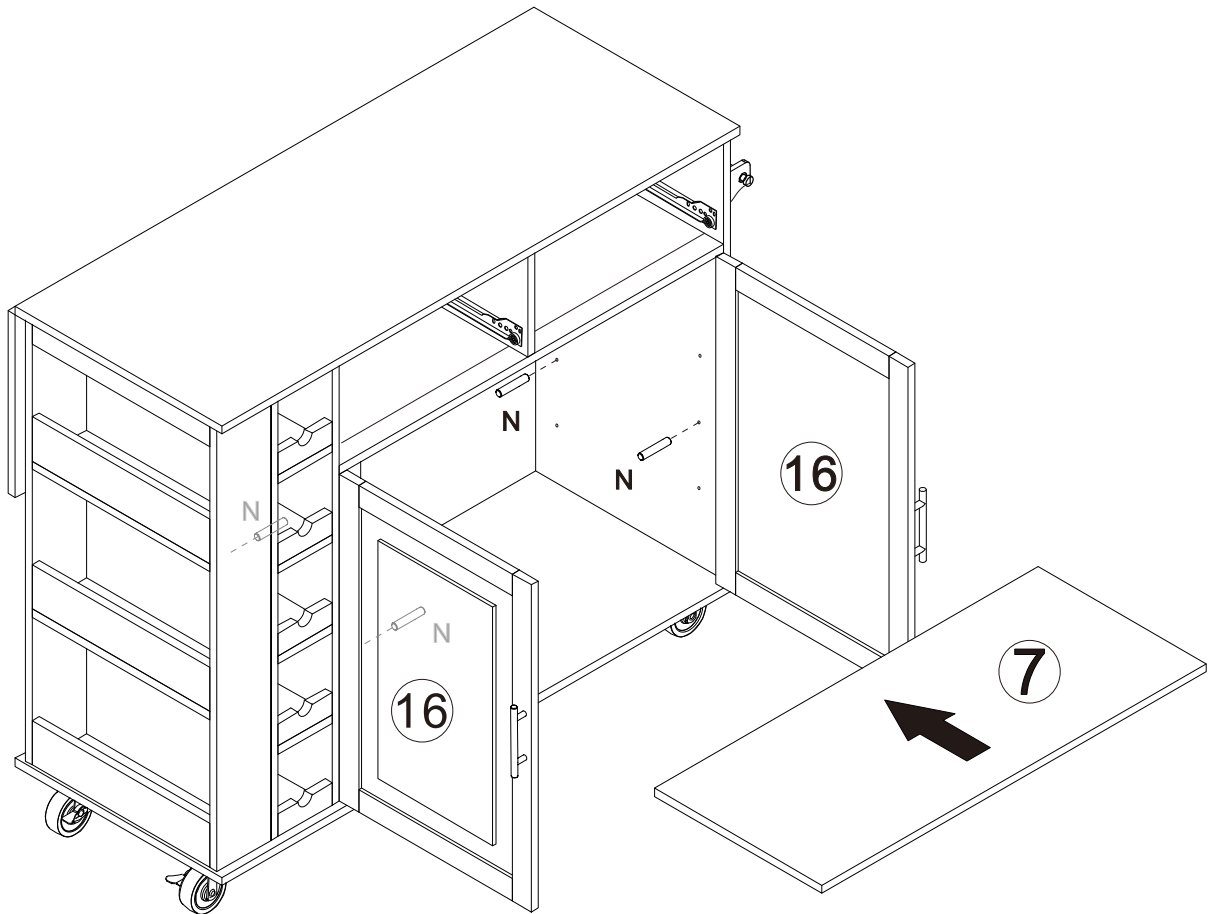
21



| | |
|--|-----|
|  | Jx1 |
|  | Kx2 |
|  | Lx2 |
|  | Mx8 |

Connect handle J to part 16 with screw K, then connect part 16 to part 4 with hardware L and screw M.

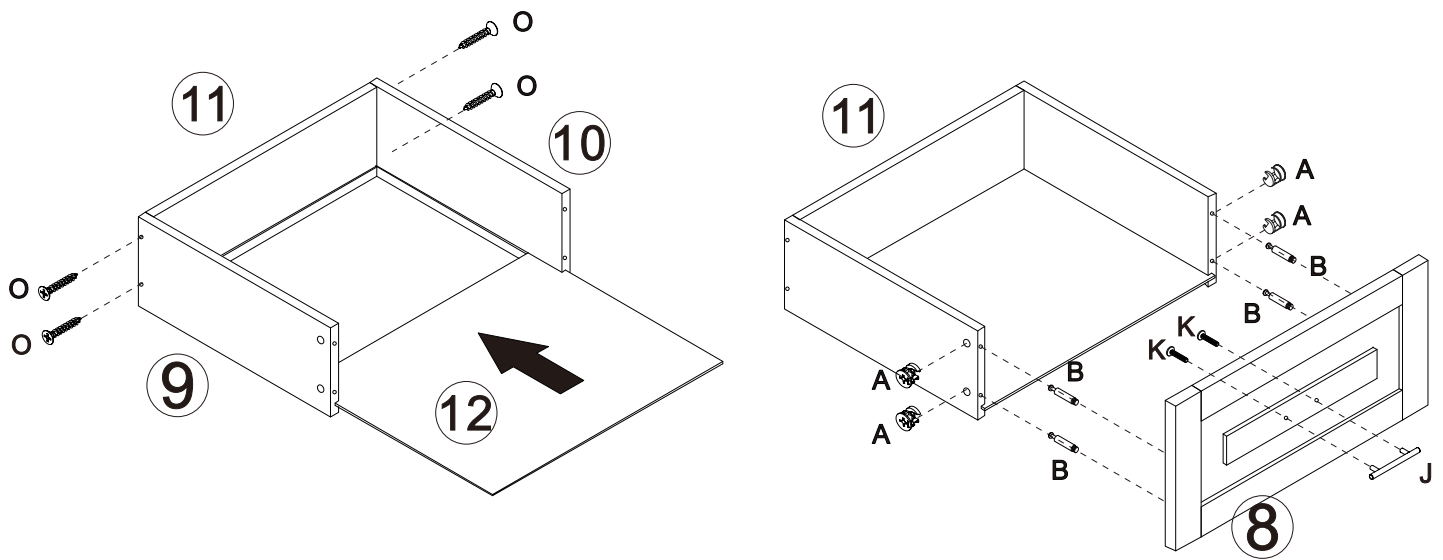
22



| | |
|--|-----|
|  | Nx4 |
|--|-----|

Put hardware N to part 3/4 and put part 7 onto hardware N.

23 x2

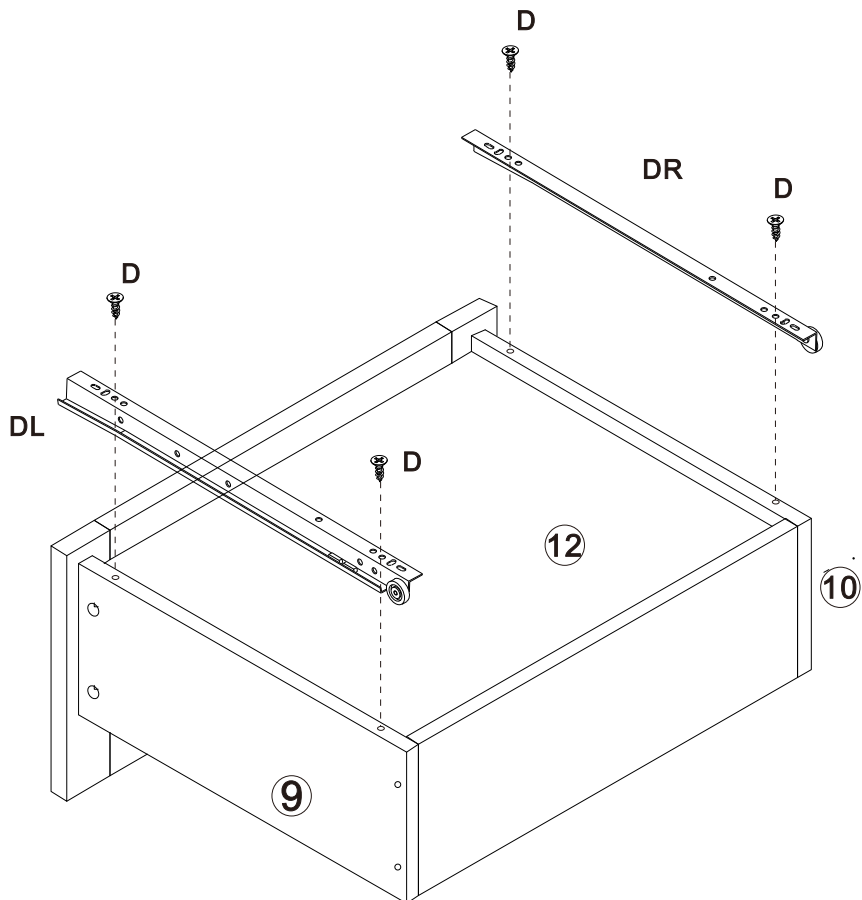


Connect part 9/10 to part 11 with screw 0.
 Put part 12 to grooves of part 9/10/11.
 Connect handle J to part 8 with K and connect
 part 8 to part 9/10 with hardware A/B.

| | |
|--|-----|
| | Ax8 |
| | Bx8 |
| | Ox8 |

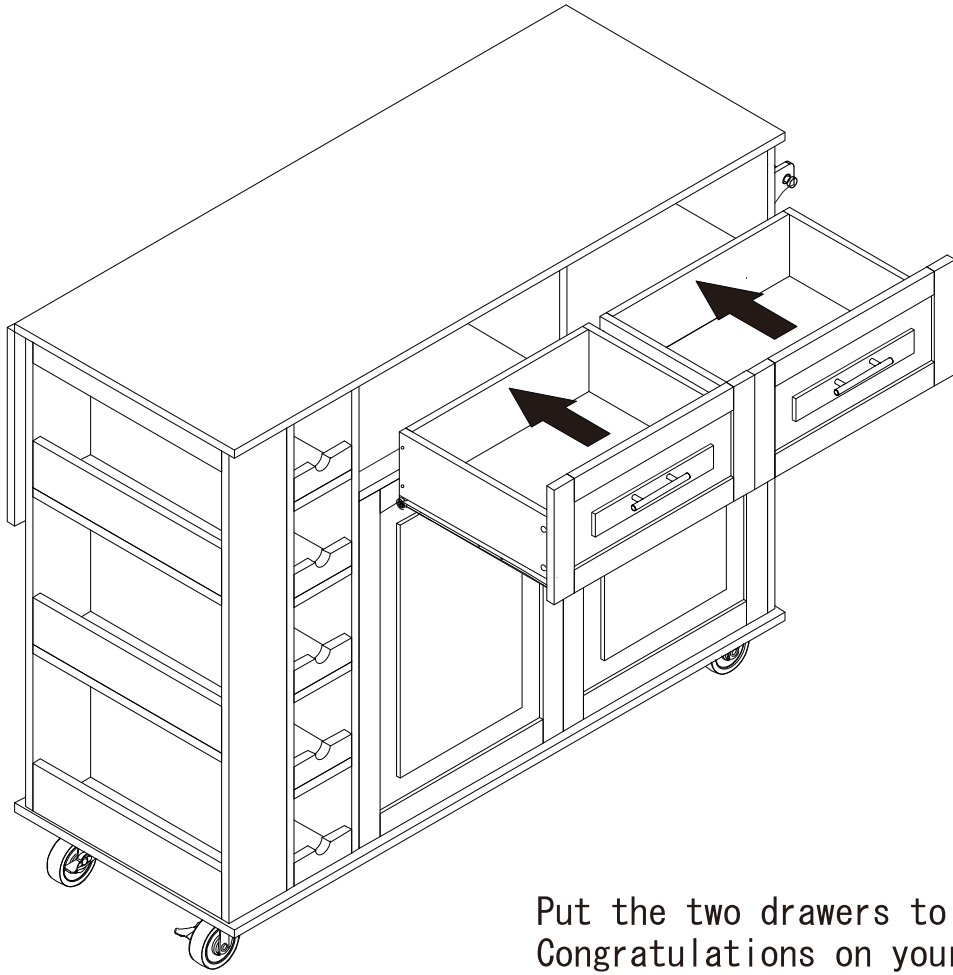
| | |
|--|-----|
| | Jx2 |
| | Kx4 |

24 x2



Connect hardware DL to part 9 with screw D , connect hardware
 DR to part 10 with screw D

| | |
|--|------|
| | Dx8 |
| | DLx2 |
| | DRx2 |



Put the two drawers to shelf.
Congratulations on your successful
installation of this product!