
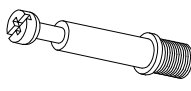
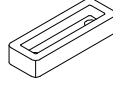


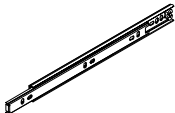


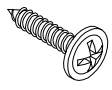
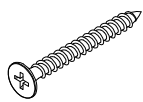
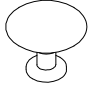

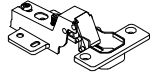

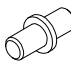





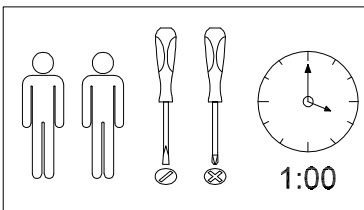


PLEASE READ ALL INSTRUCTIONS BEFORE ASSEMBLY.

Unpack all parts from Styrofoam and bubble wrap inside the carton to ensure there are no missing or damaged parts. If any parts are missing or damaged, do not attempt to assemble or use the product.

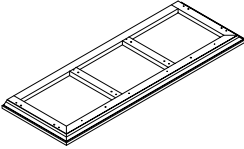
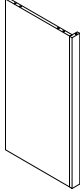

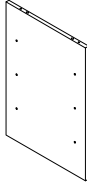
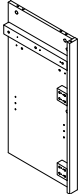
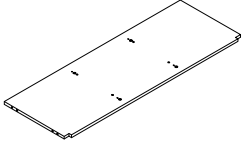
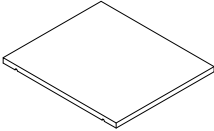
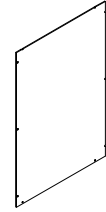

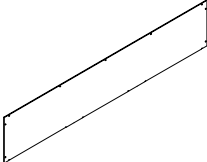
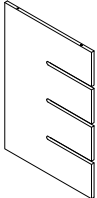
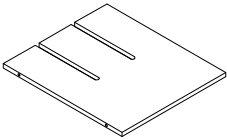
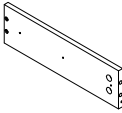
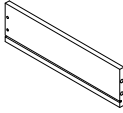
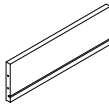
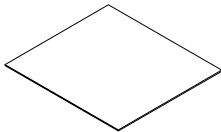
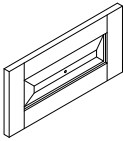
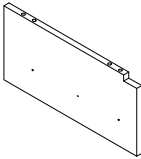
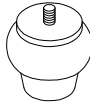
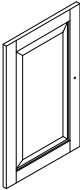
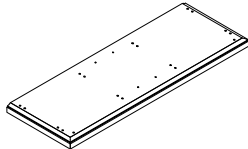
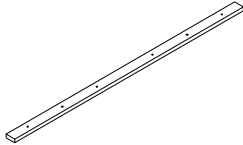
Hardware:

Ⓐ x40+3	Ⓑ x28+2	Ⓒ x2	Ⓓ x50+3	Ⓔ x12+2
				
Ⓕ x6	Ⓖ x4+1	Ⓗ x28+2	Ⓙ x33+3	Ⓚ x12+2
				
Ⓛ x5	Ⓜ x3+1	Ⓝ x4	Ⓞ x24+2	Ⓟ x8+1
				
Ⓠ x2	Ⓡ x12+2	Ⓢ x1	Ⓣ x4+1	Ⓤ x2+1
				

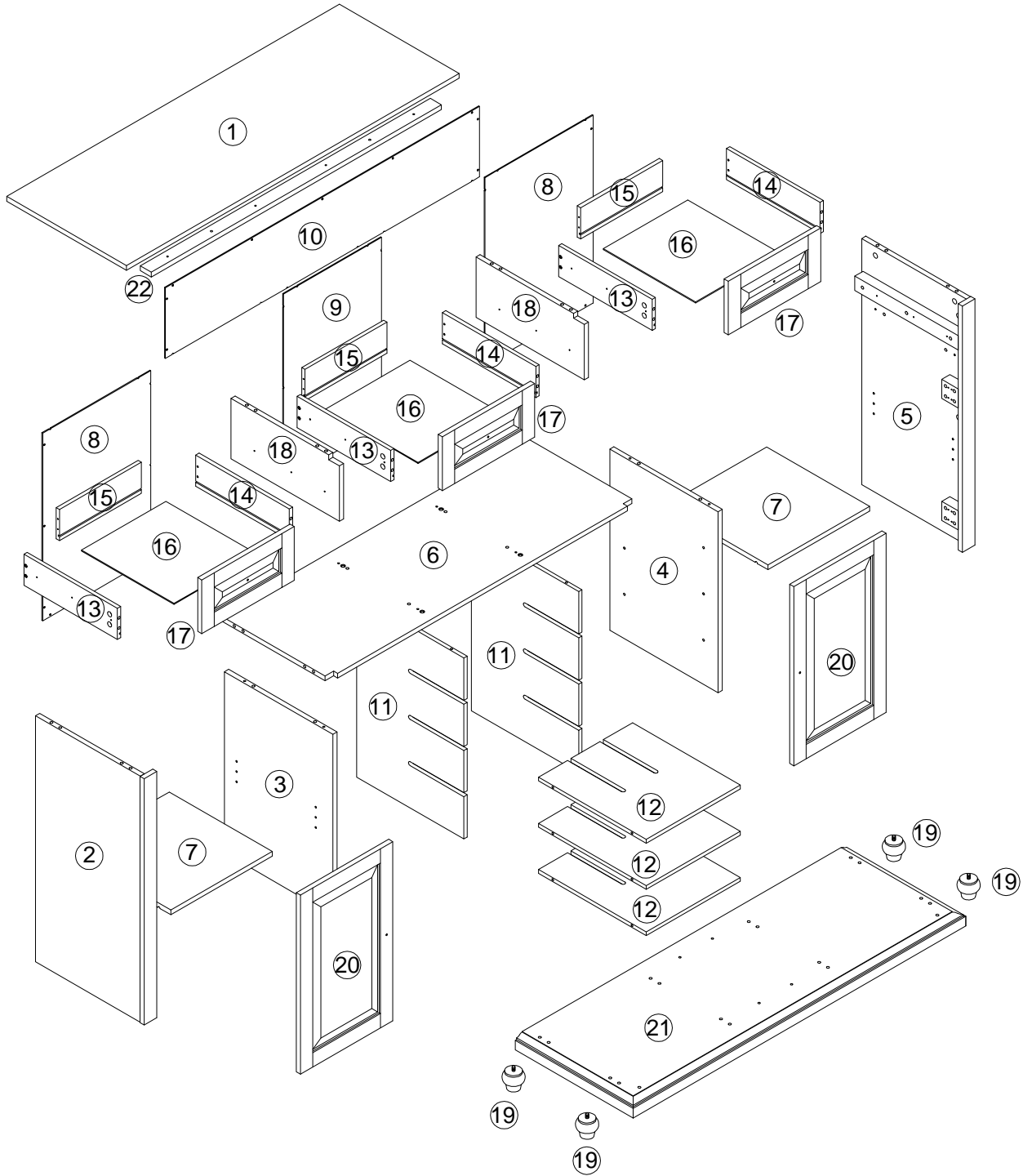


Tools required for assembly: Philips screwdriver and Flathead Screwdriver (if using power tools, use with care)

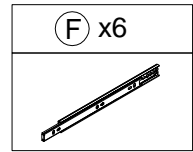
Panels:

① x1	② x1	③ x1	④ x1	⑤ x1
				
⑥ x1	⑦ x2	⑧ x2	⑨ x1	⑩ x1
				
⑪ x2	⑫ x3	⑬ x3	⑭ x3	⑮ x3
				
⑯ x3	⑰ x3	⑱ x2	⑲ x4	⑳ x2
				
㉑ x1	㉒ x1			
				

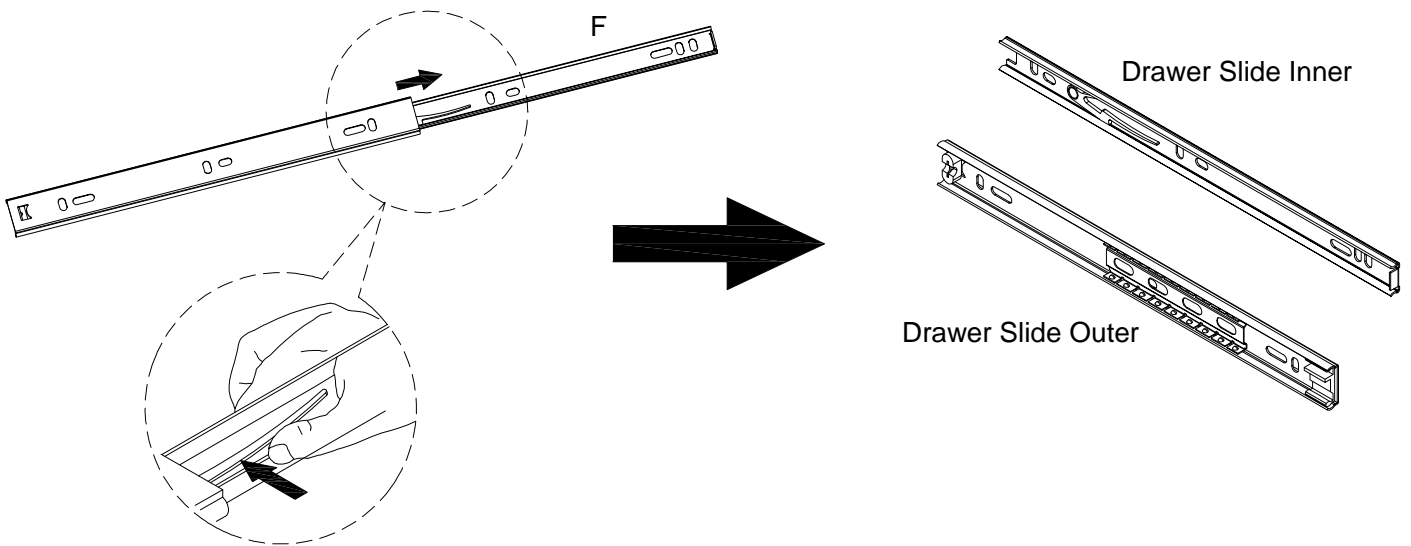
Panels:





Step 1

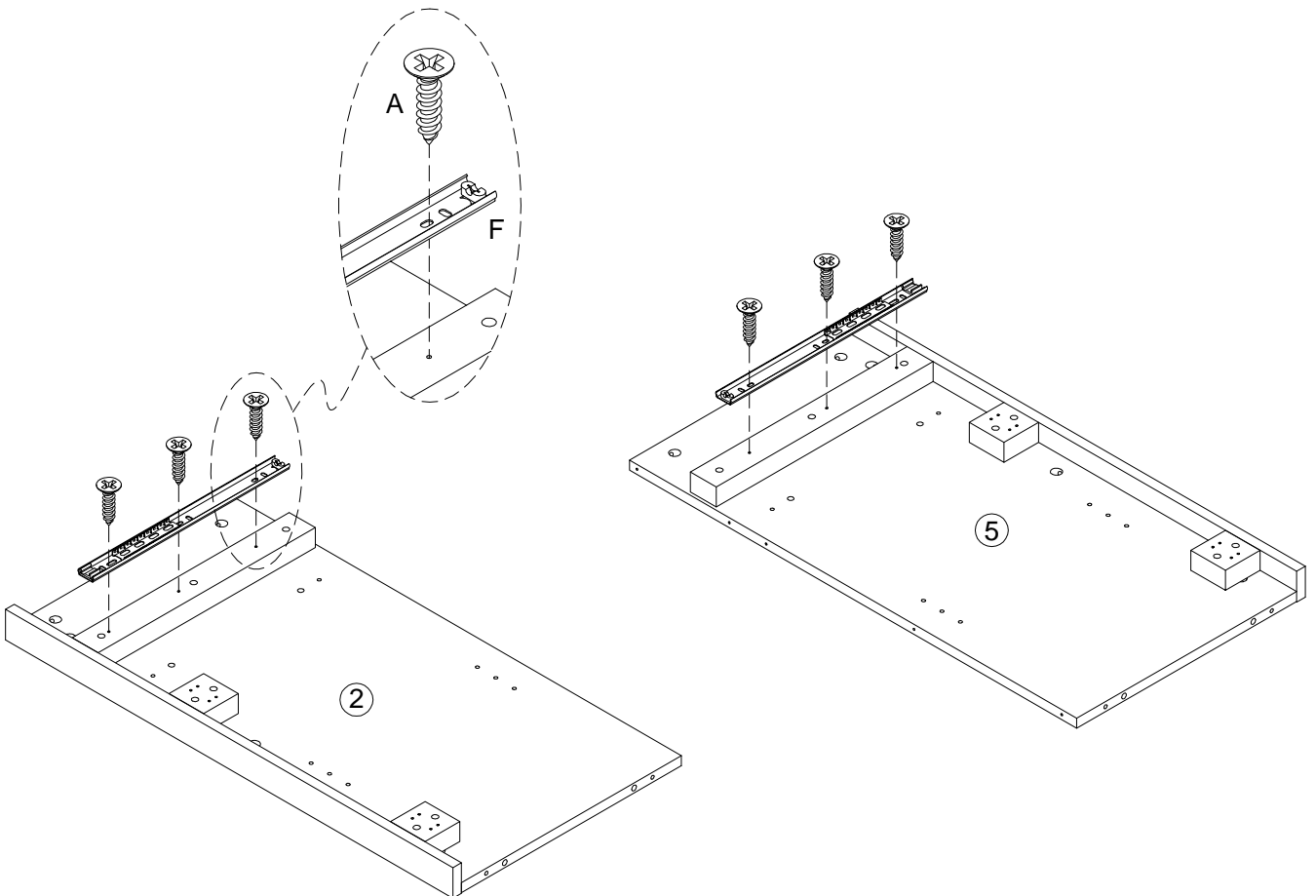


Push the plastic film up, then pull out the drawer slide inner

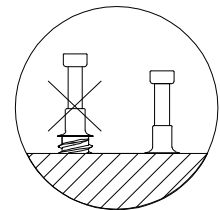
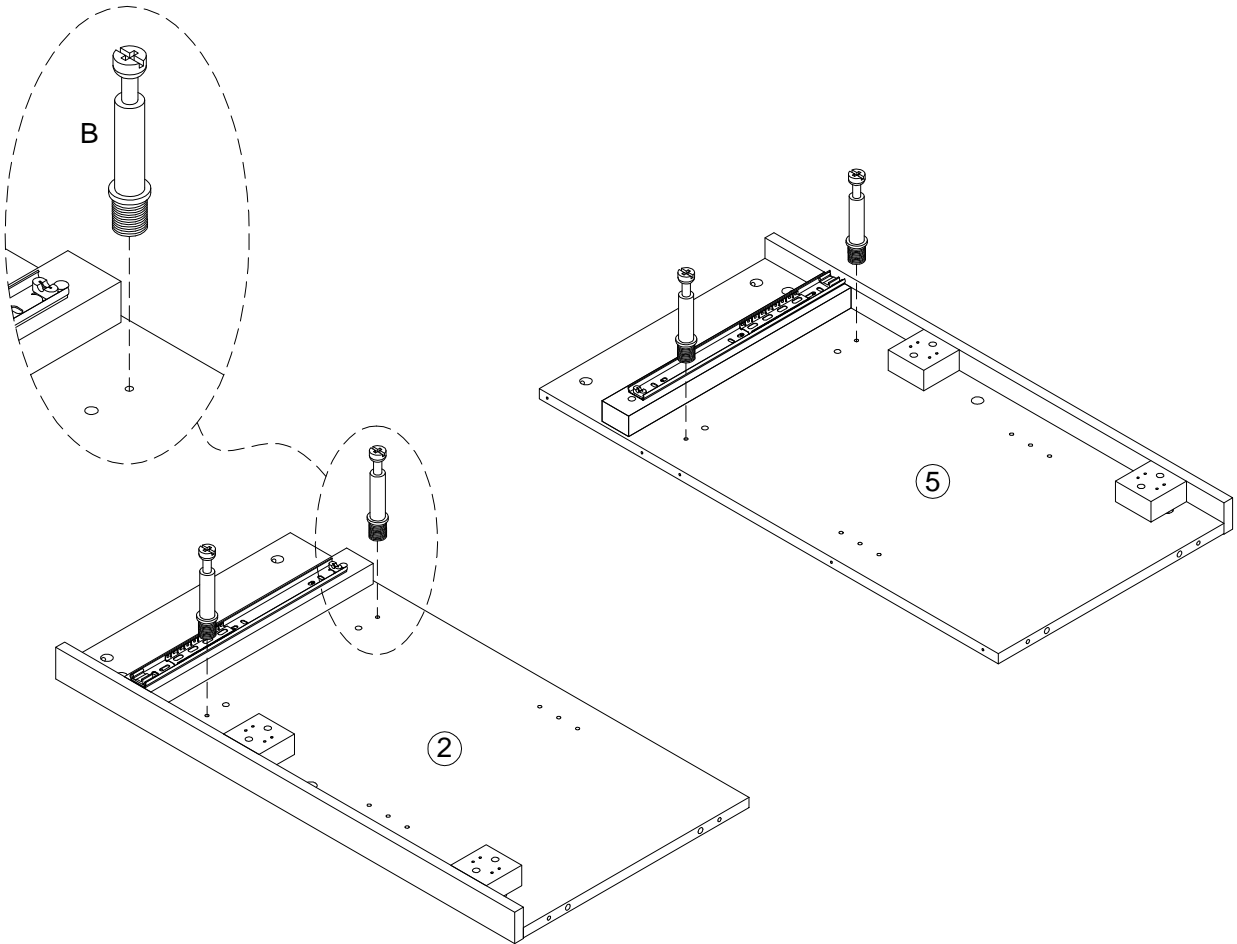
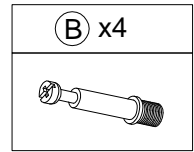


Step 2


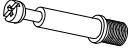
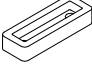
(A) x6	(F) x2
	 Drawer Slide Outer

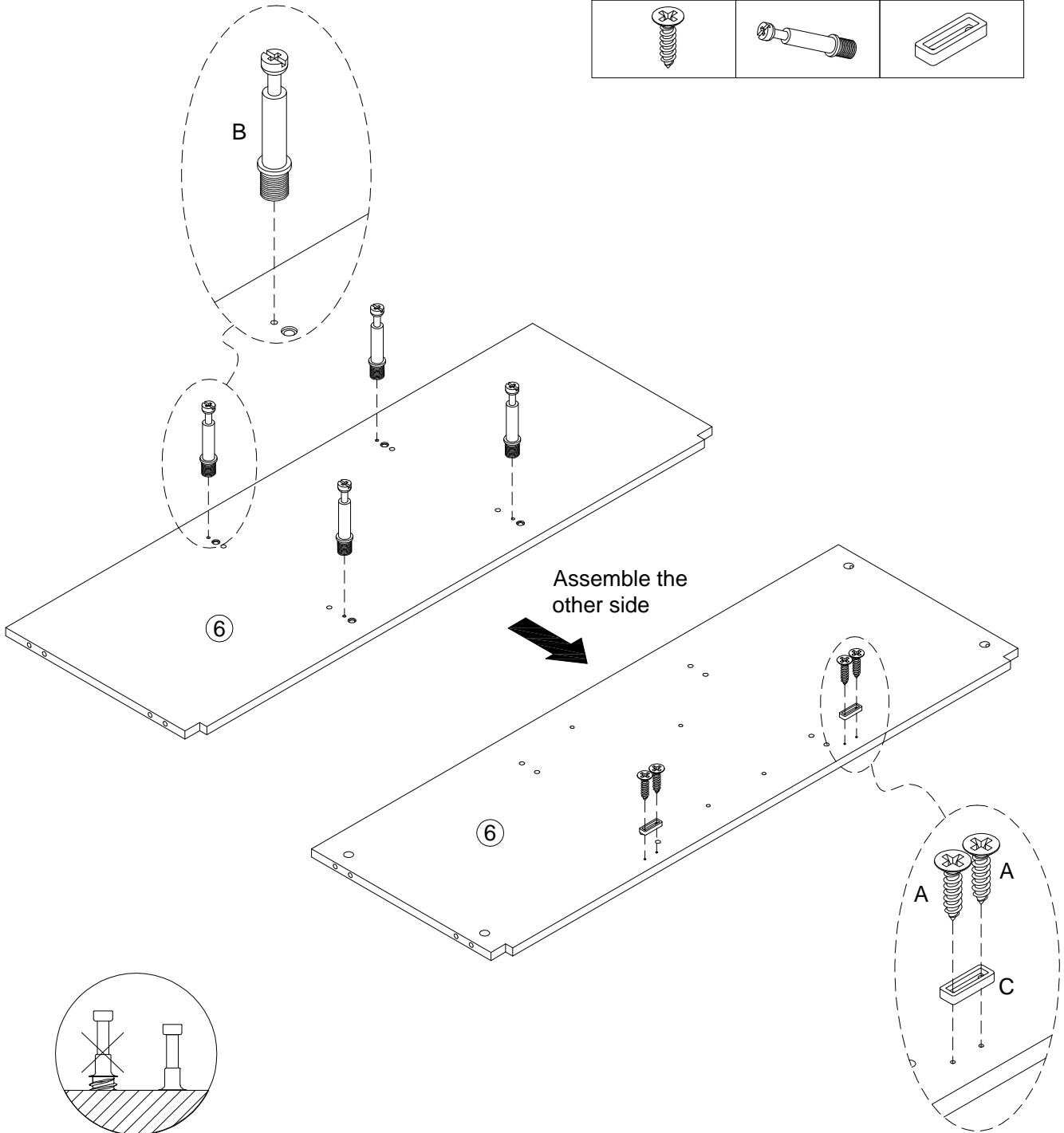


Step 3

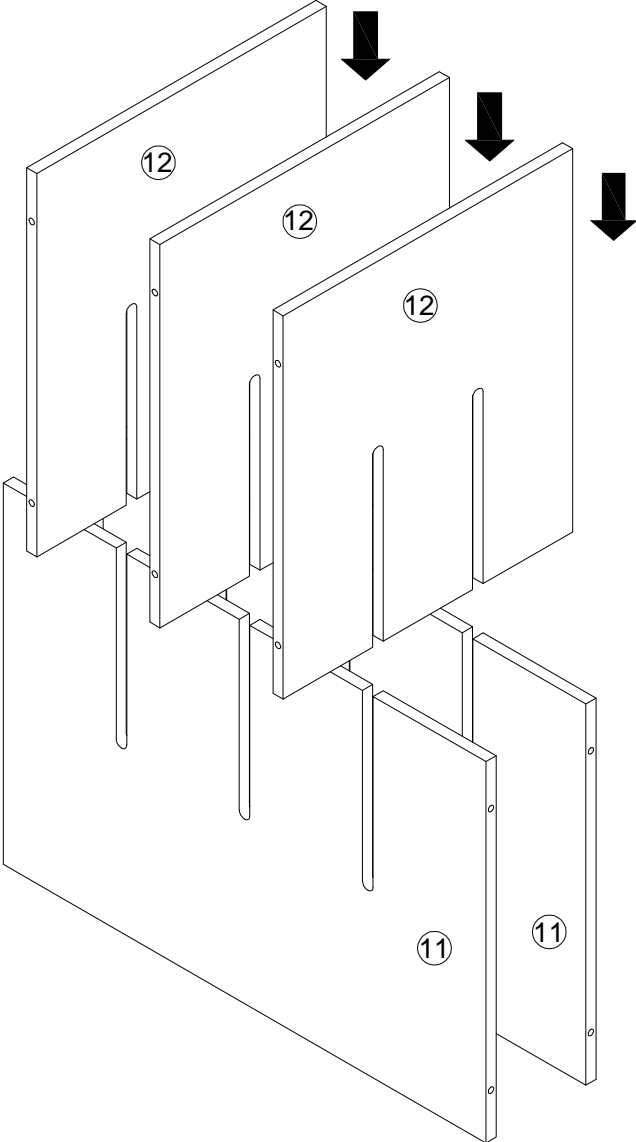


Step 4

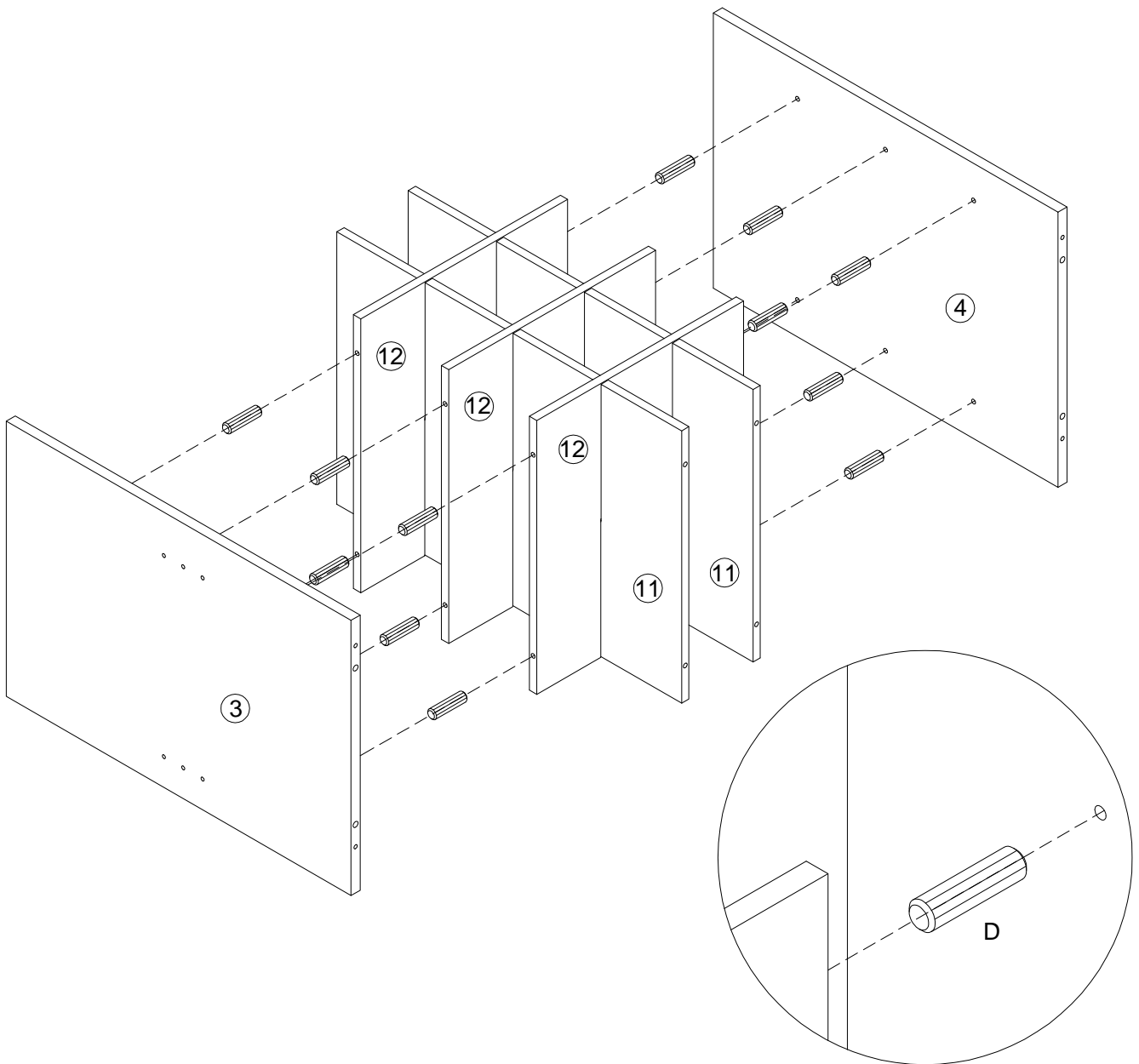
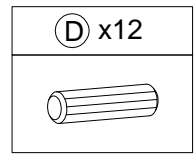
A x4	B x4	C x2
		





Step 5

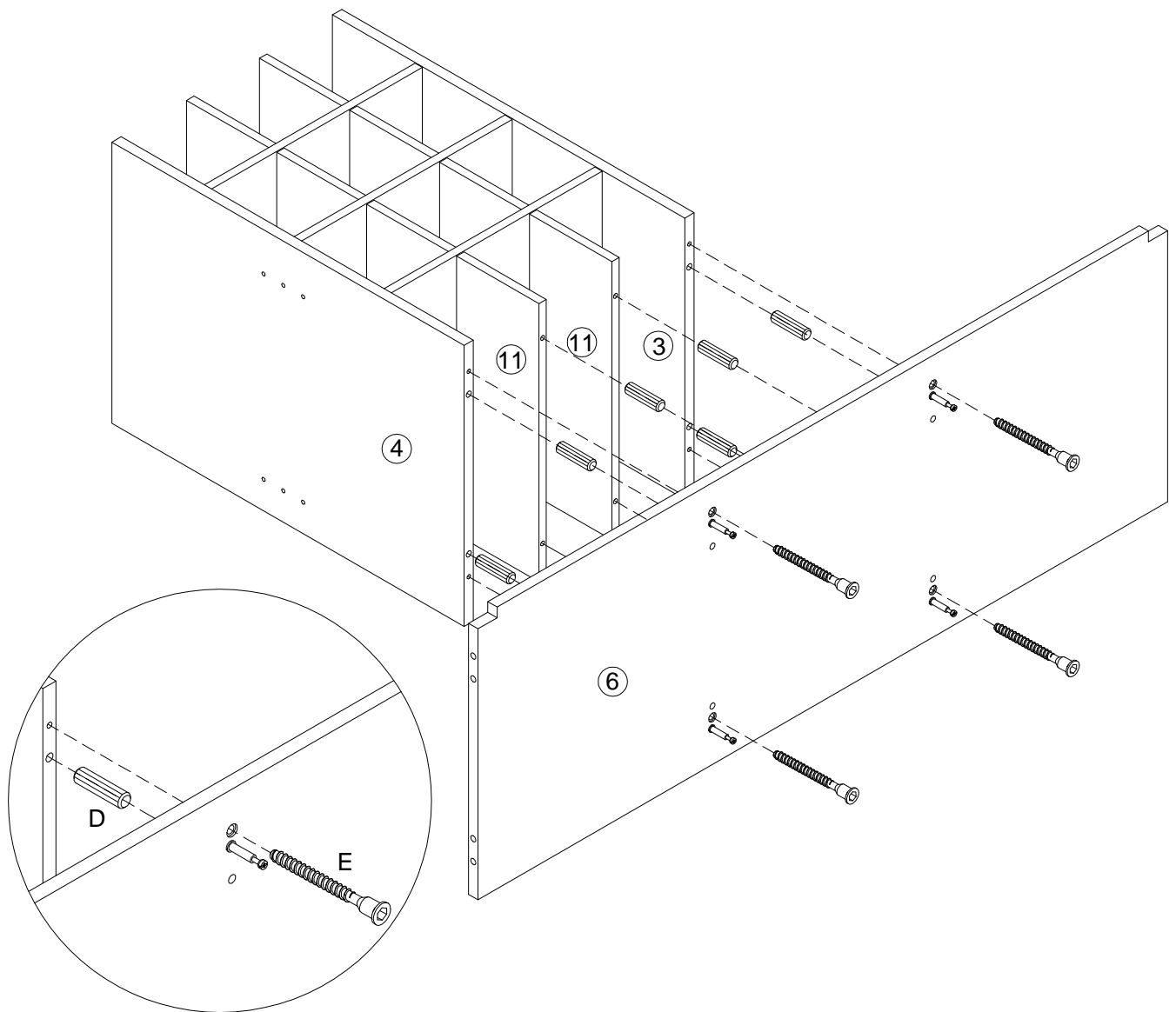


Step 6





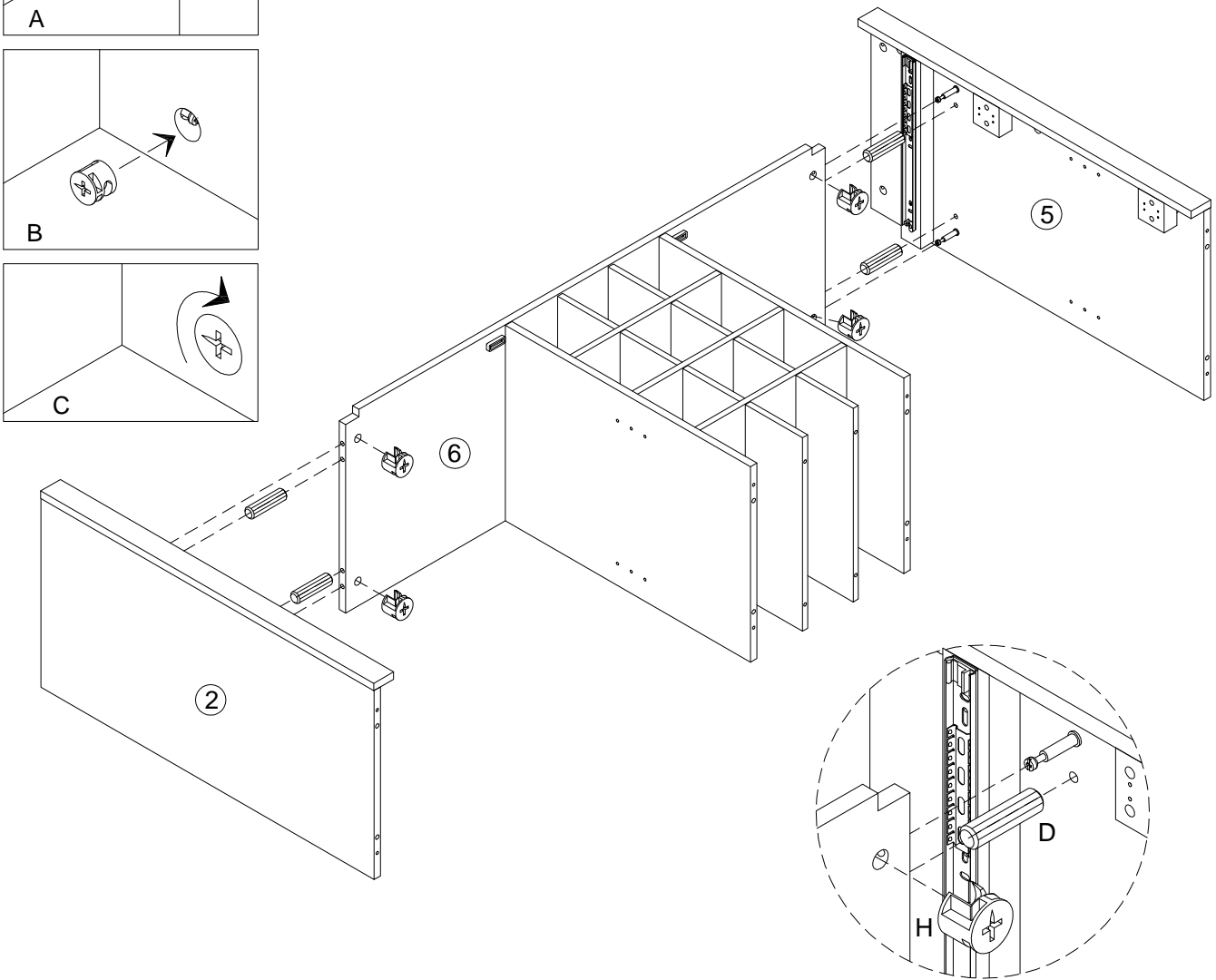
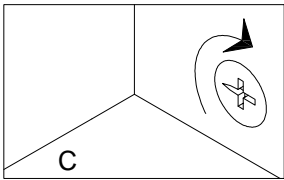
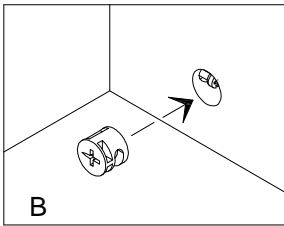
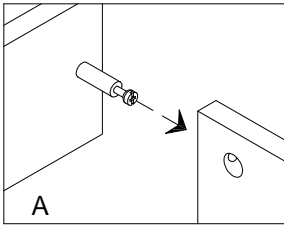
Step 7

Ⓓ x8	Ⓔ x4
	





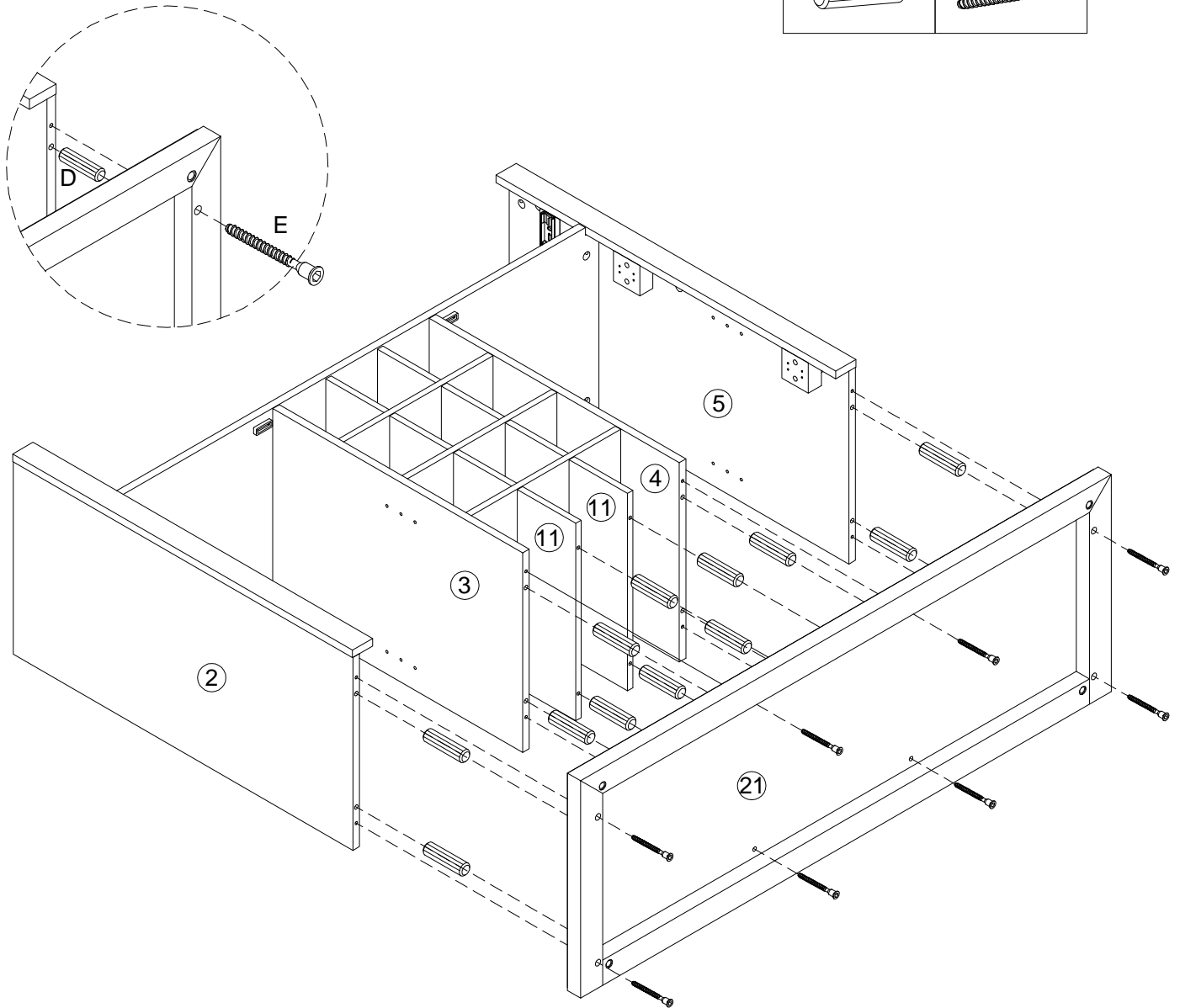
Step 8

ⓓ x4	ⓓ x4
	

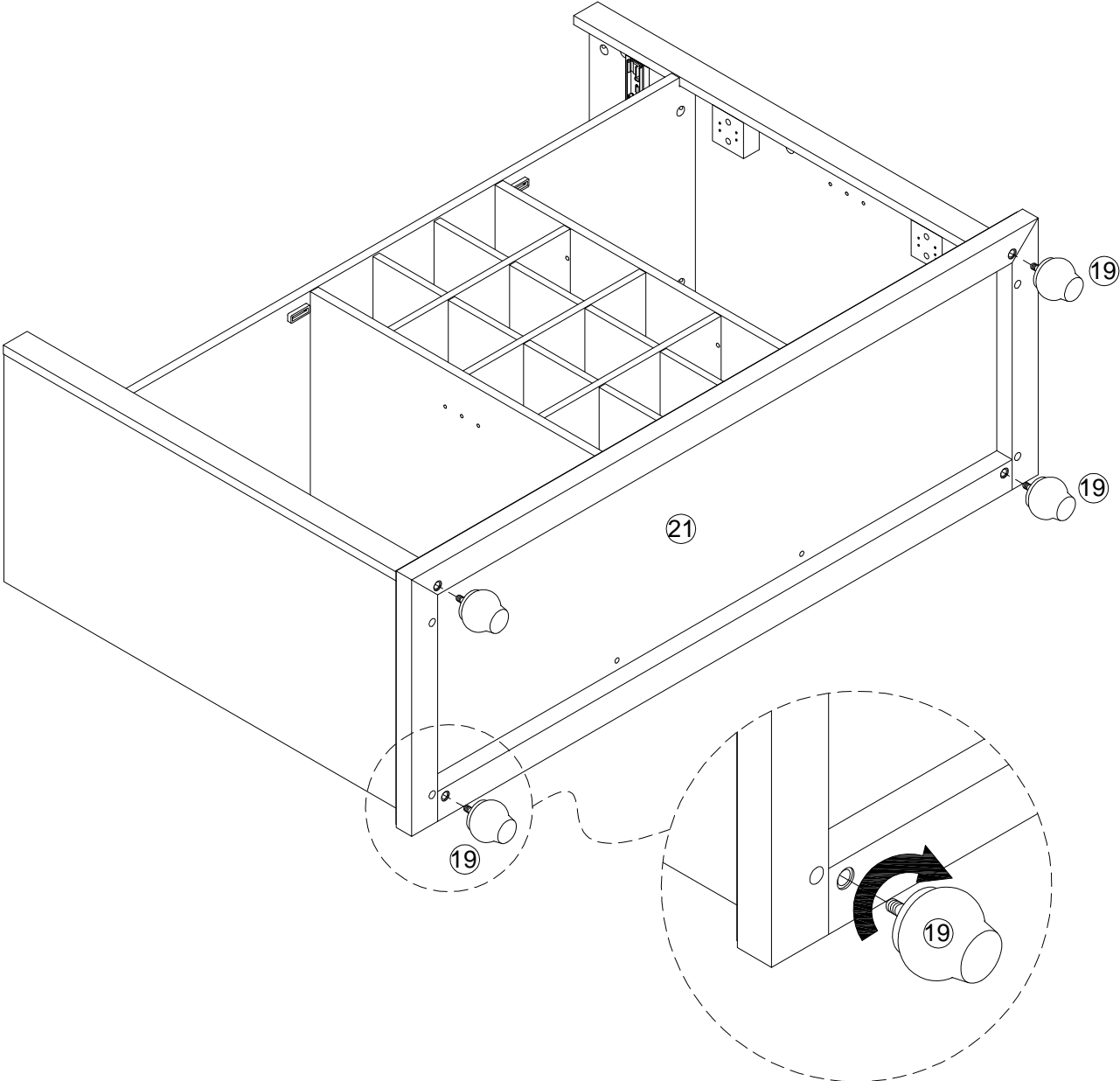


Step 9

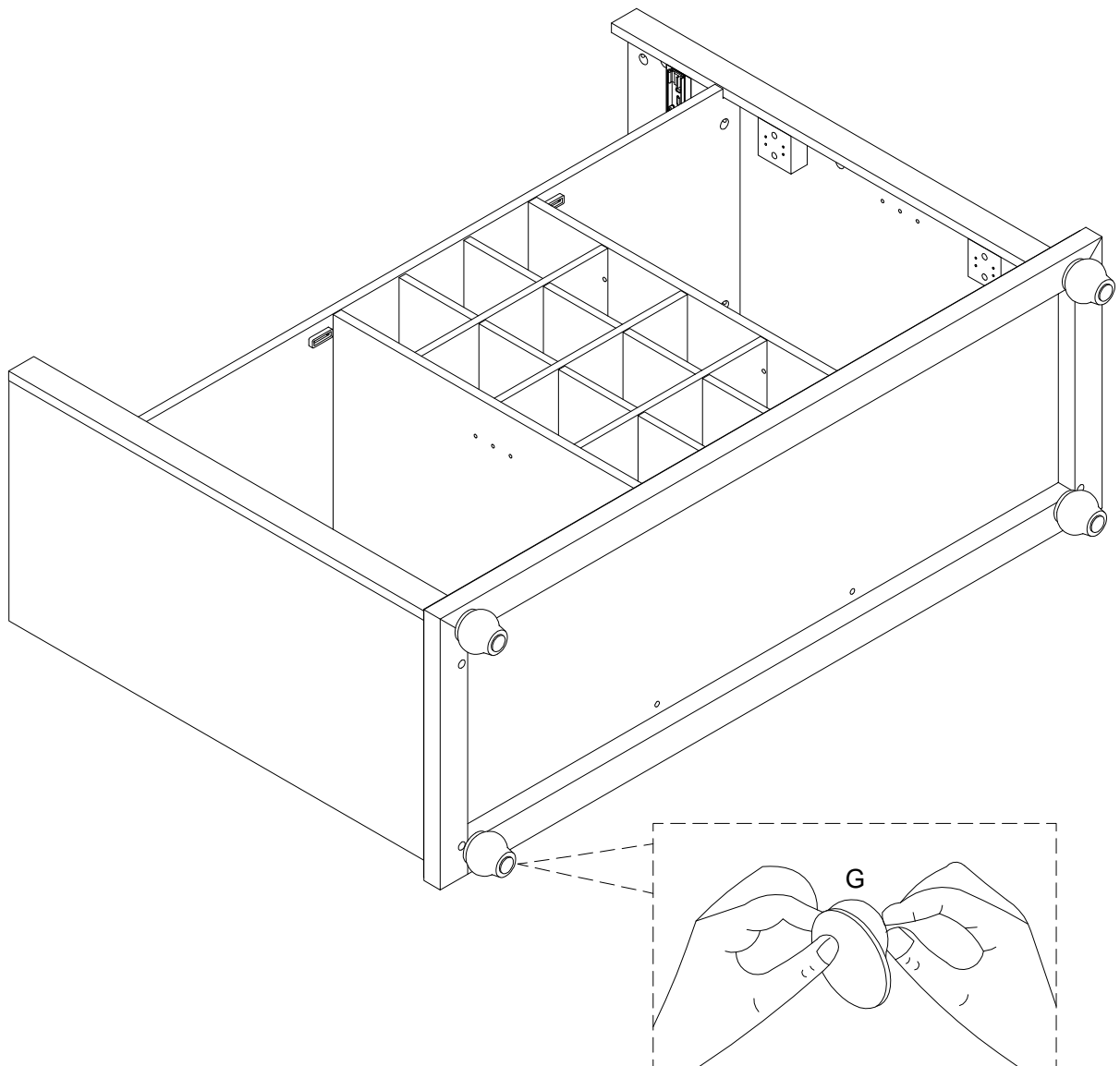
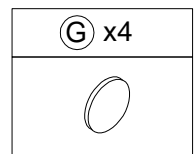
Ⓓ x12	Ⓔ x8
	





Step 10

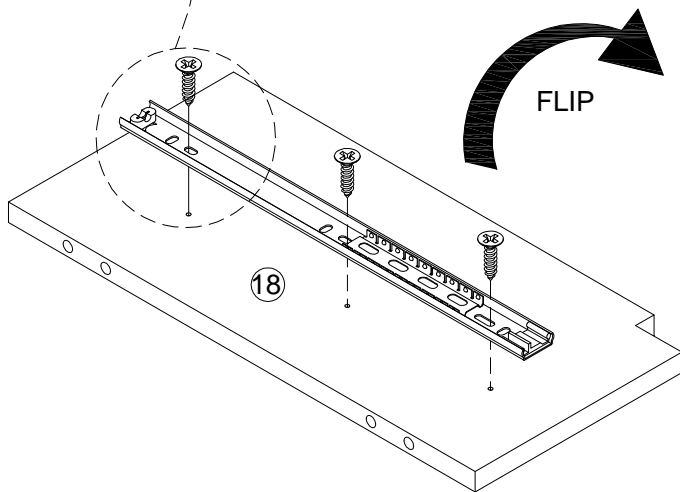
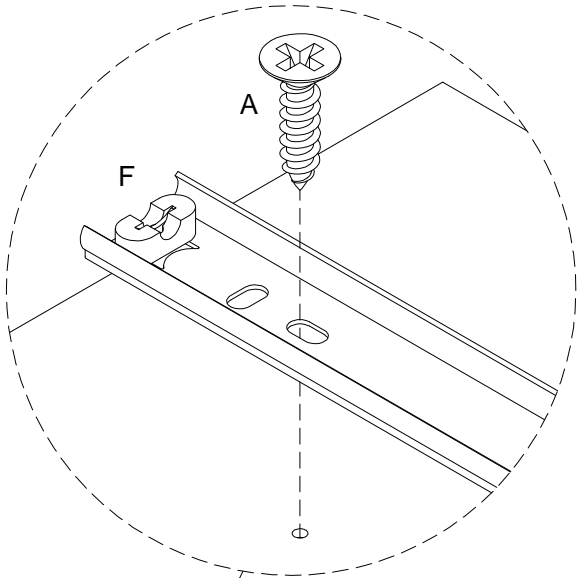


Step 11

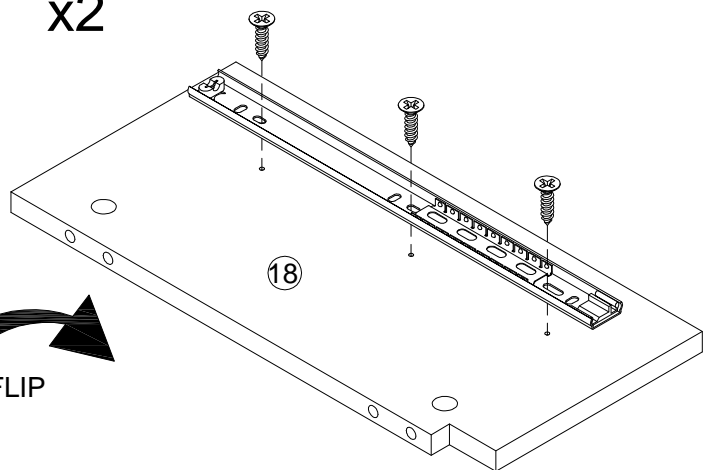


Step 12



(A) x12	(F) x4
	 Drawer Slide Outer

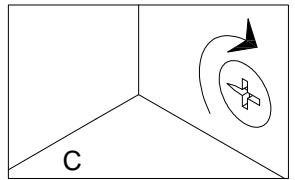
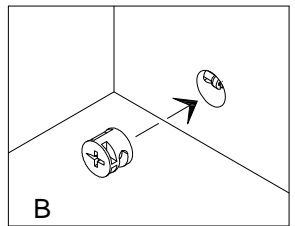
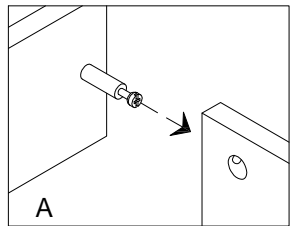
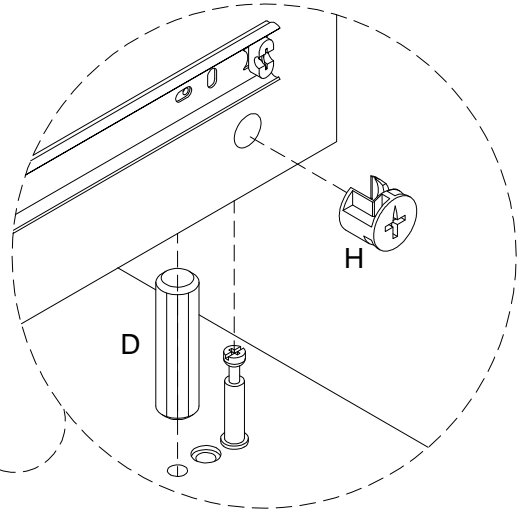
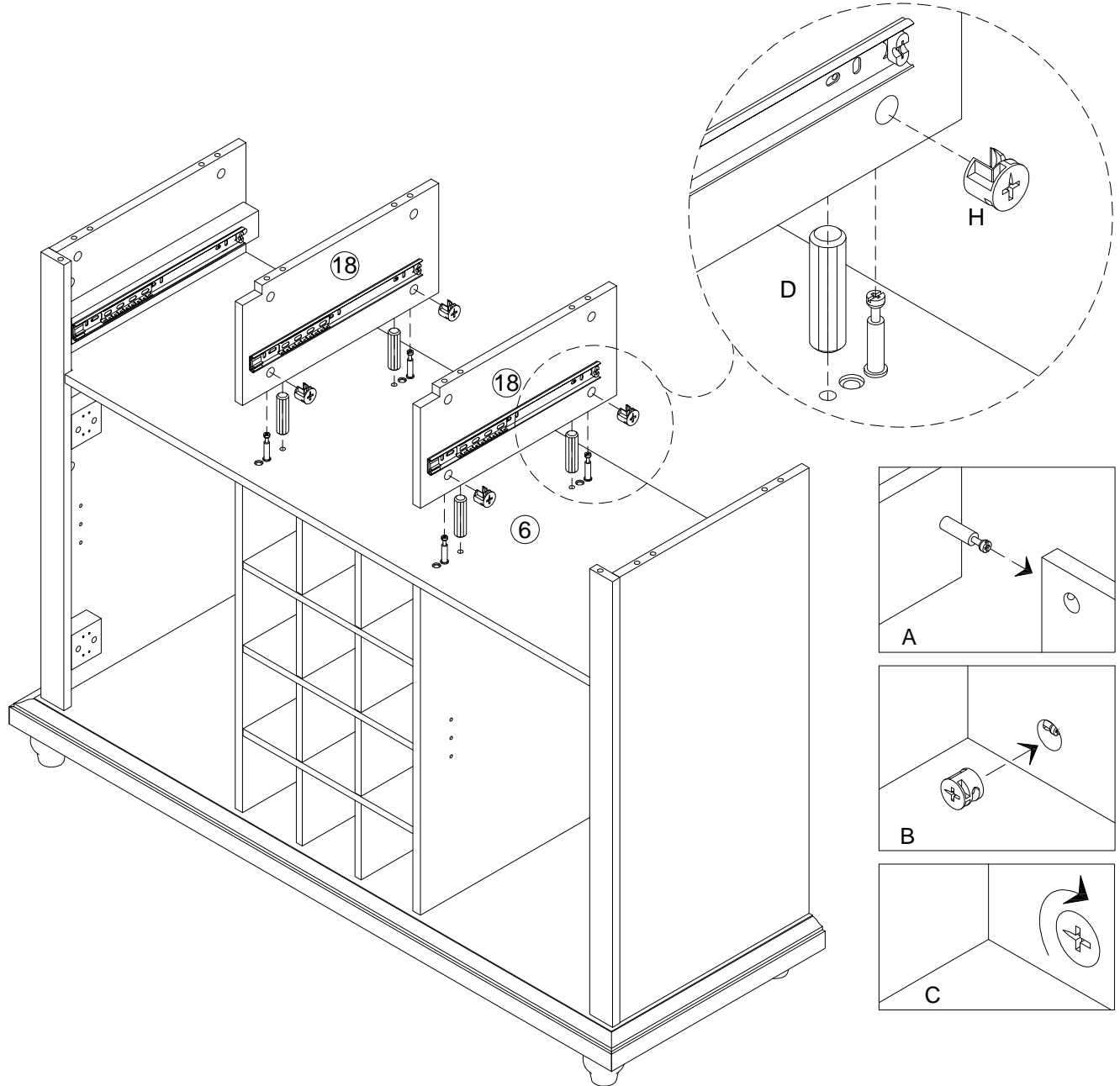


x2

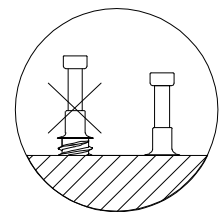
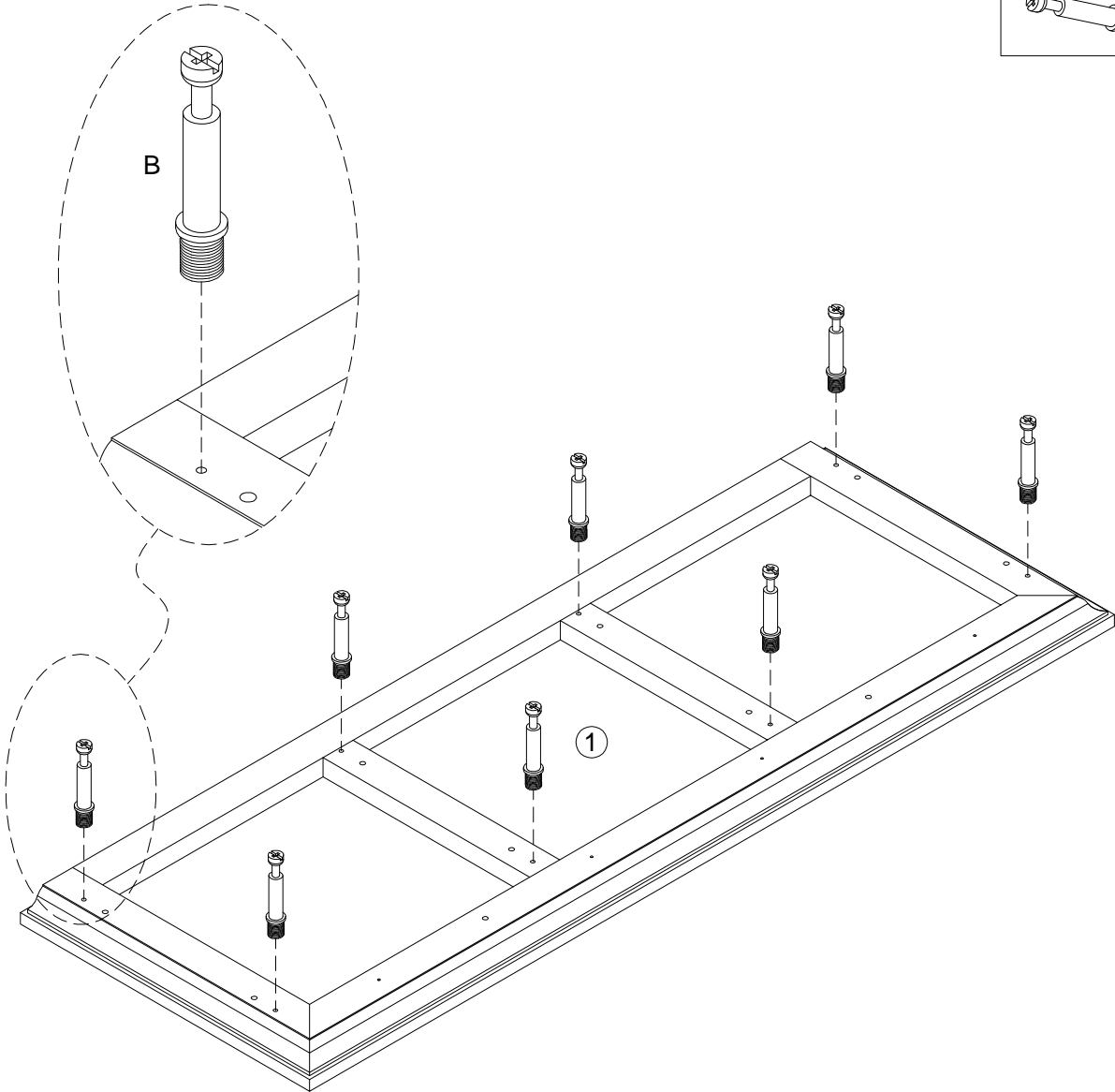
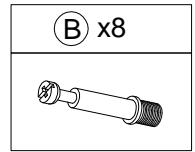


Step 13


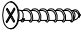
ⓓ x4	ⓓ x4
	

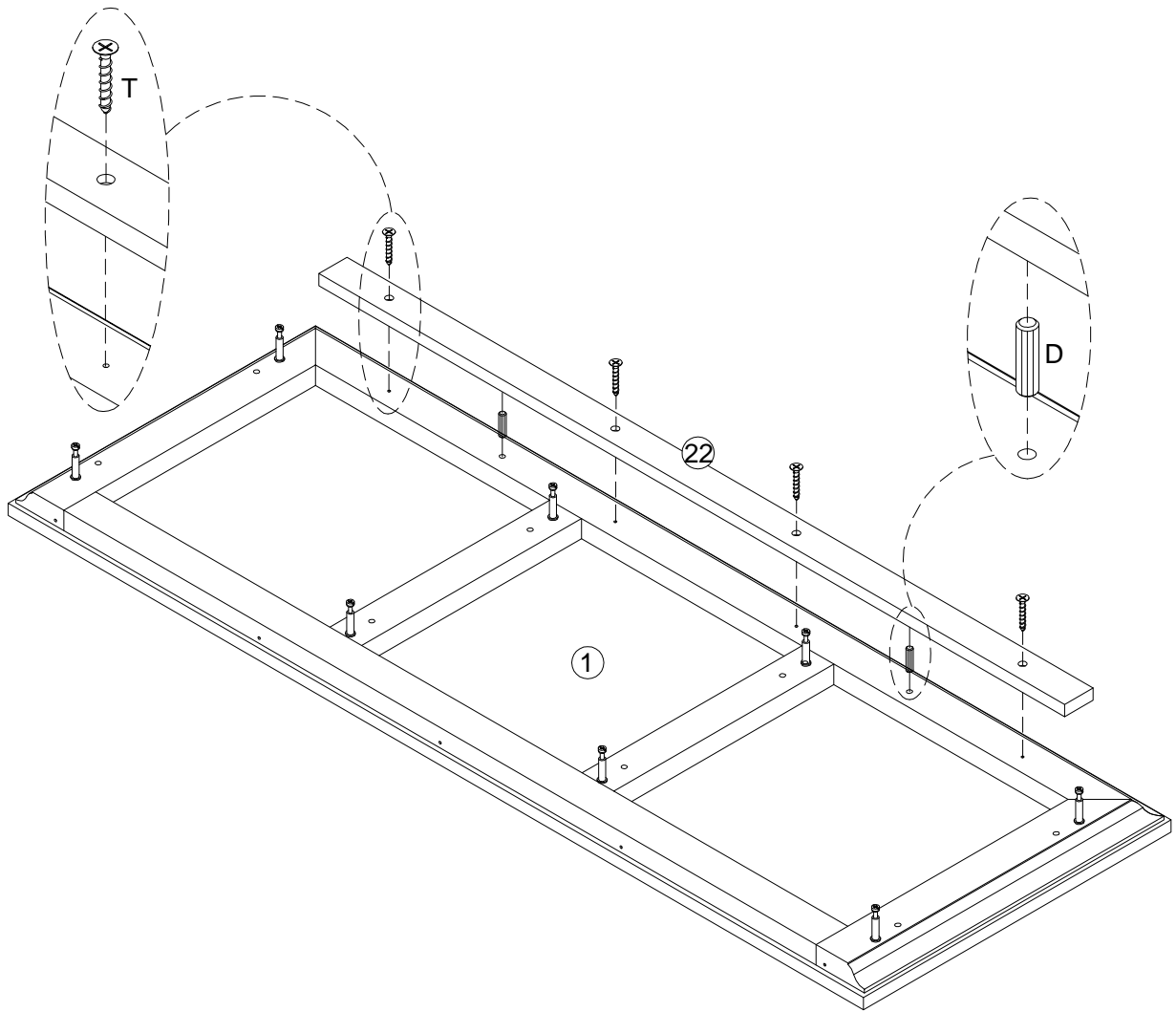


Step 14





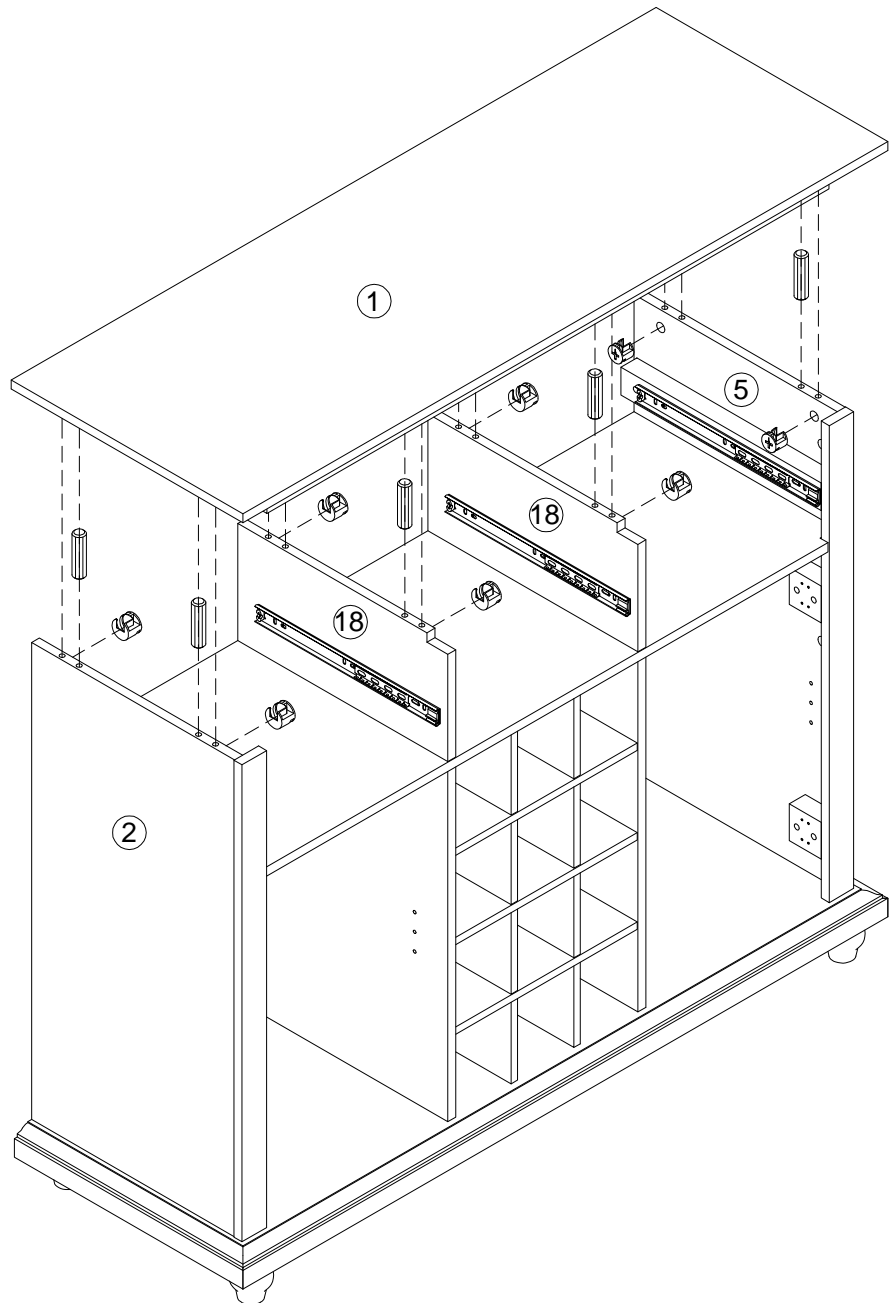
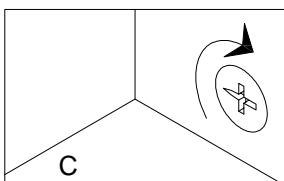
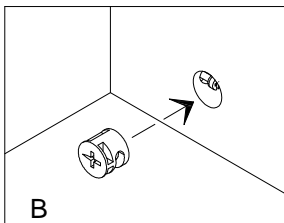
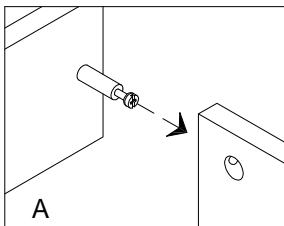
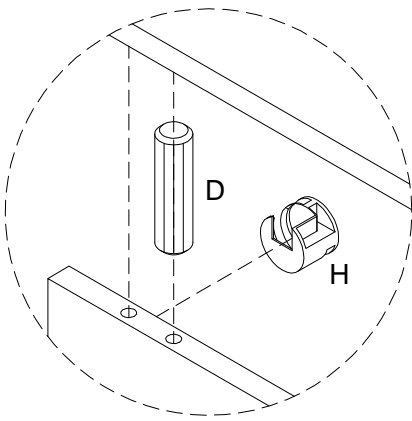
Step 15

ⓓ x2	Ⓣ x4
	

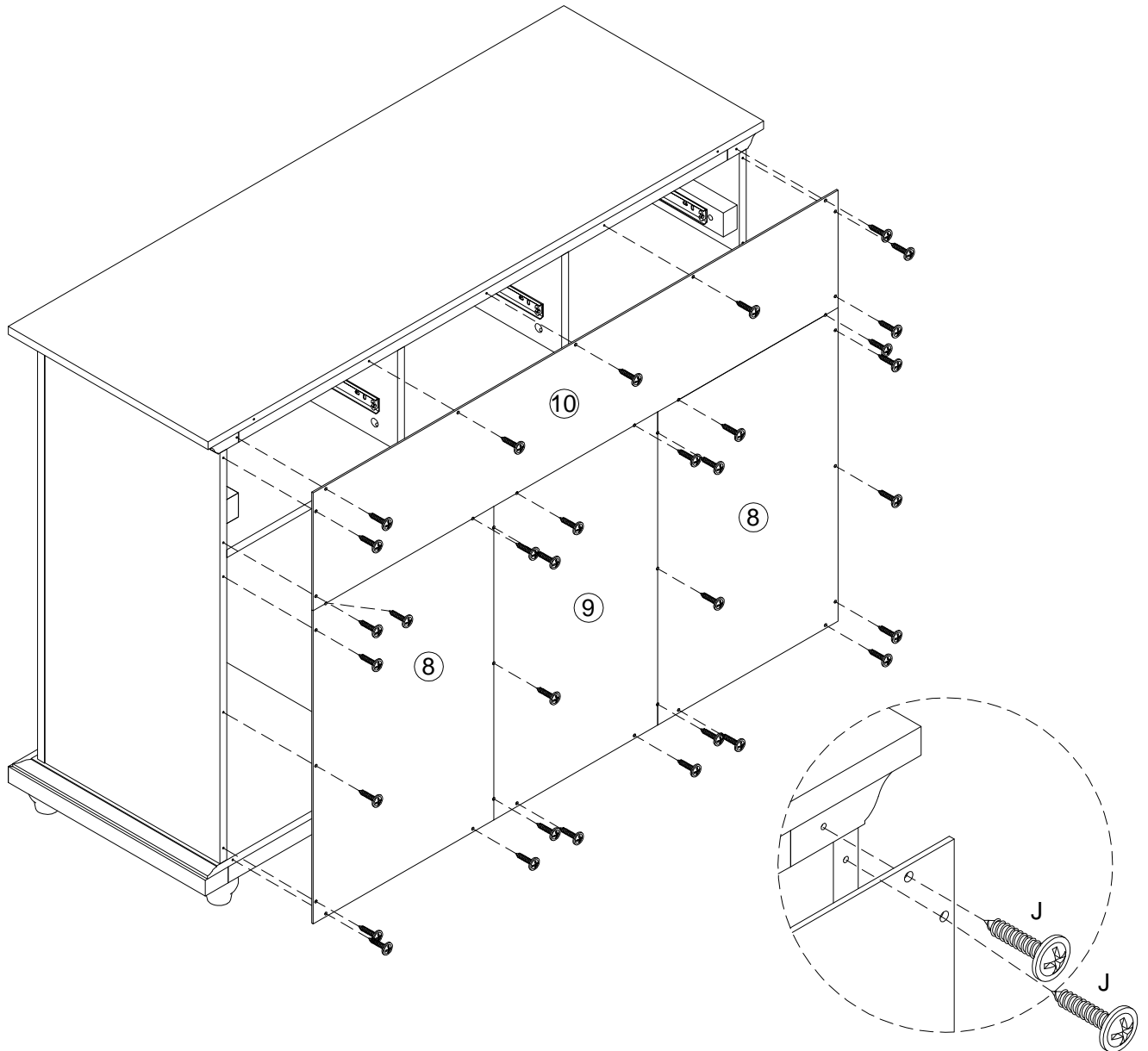
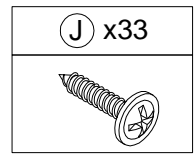


Step 16

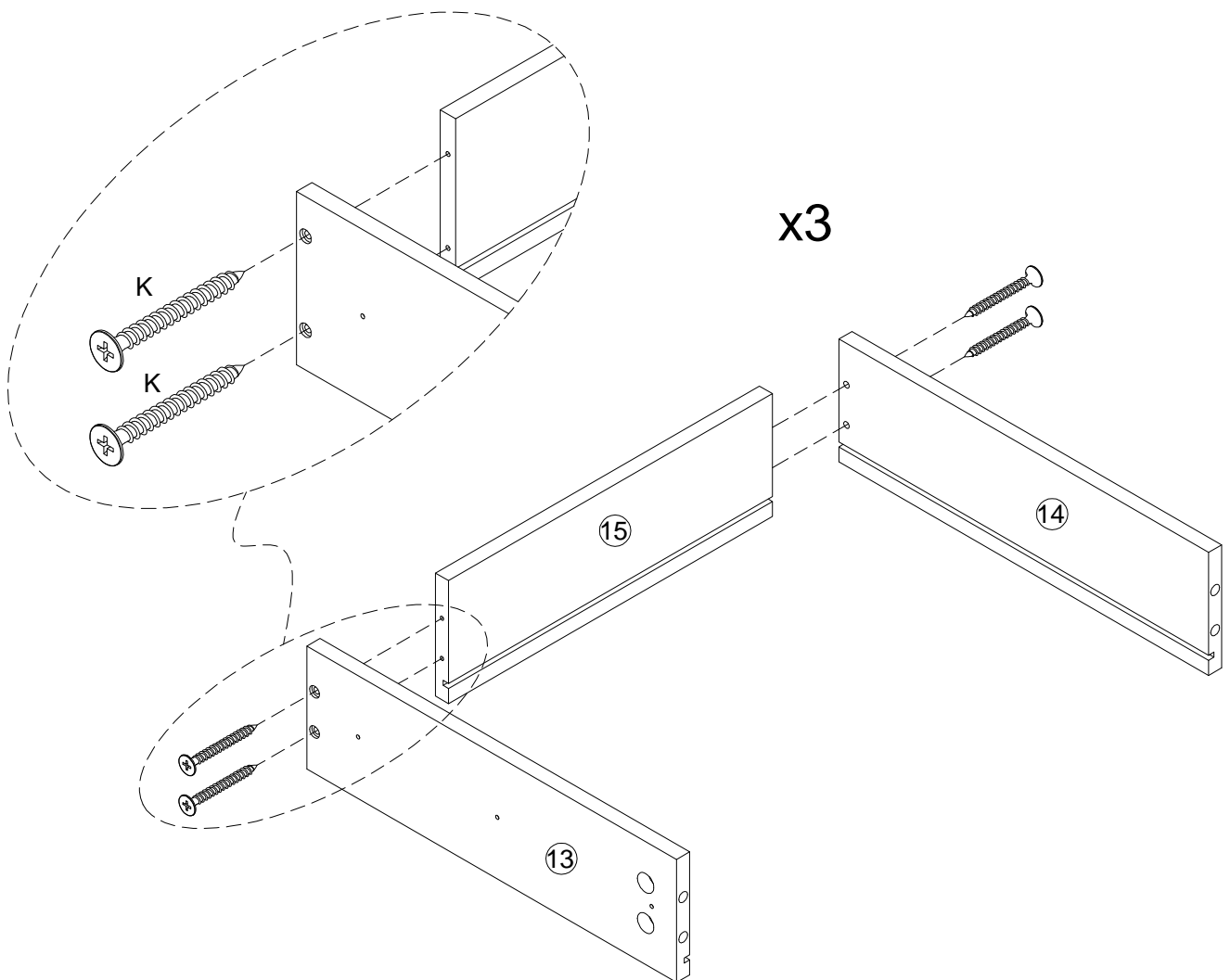
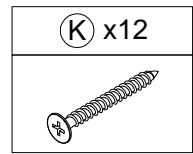
ⓓ x8	ⓓ x8
	



Step 17

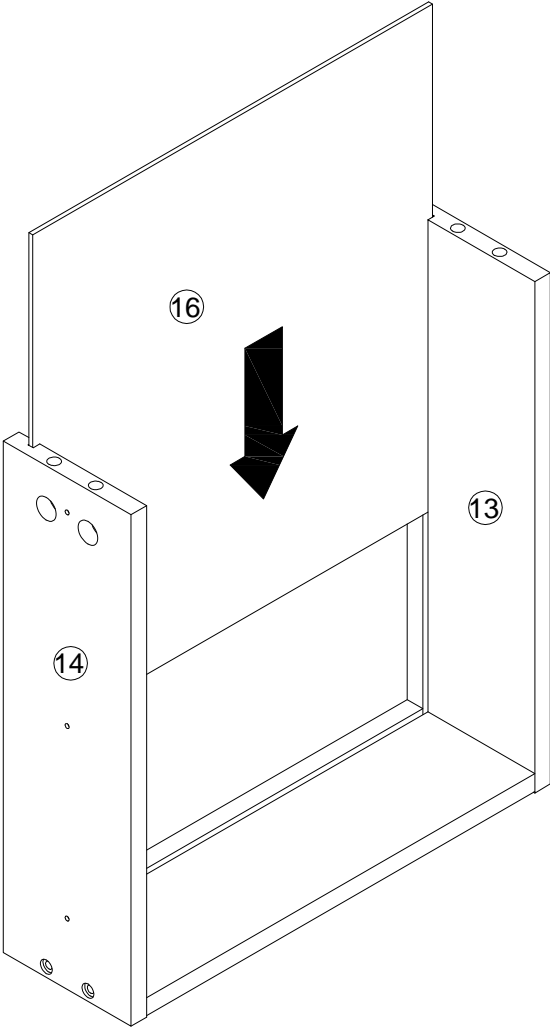


Step 18

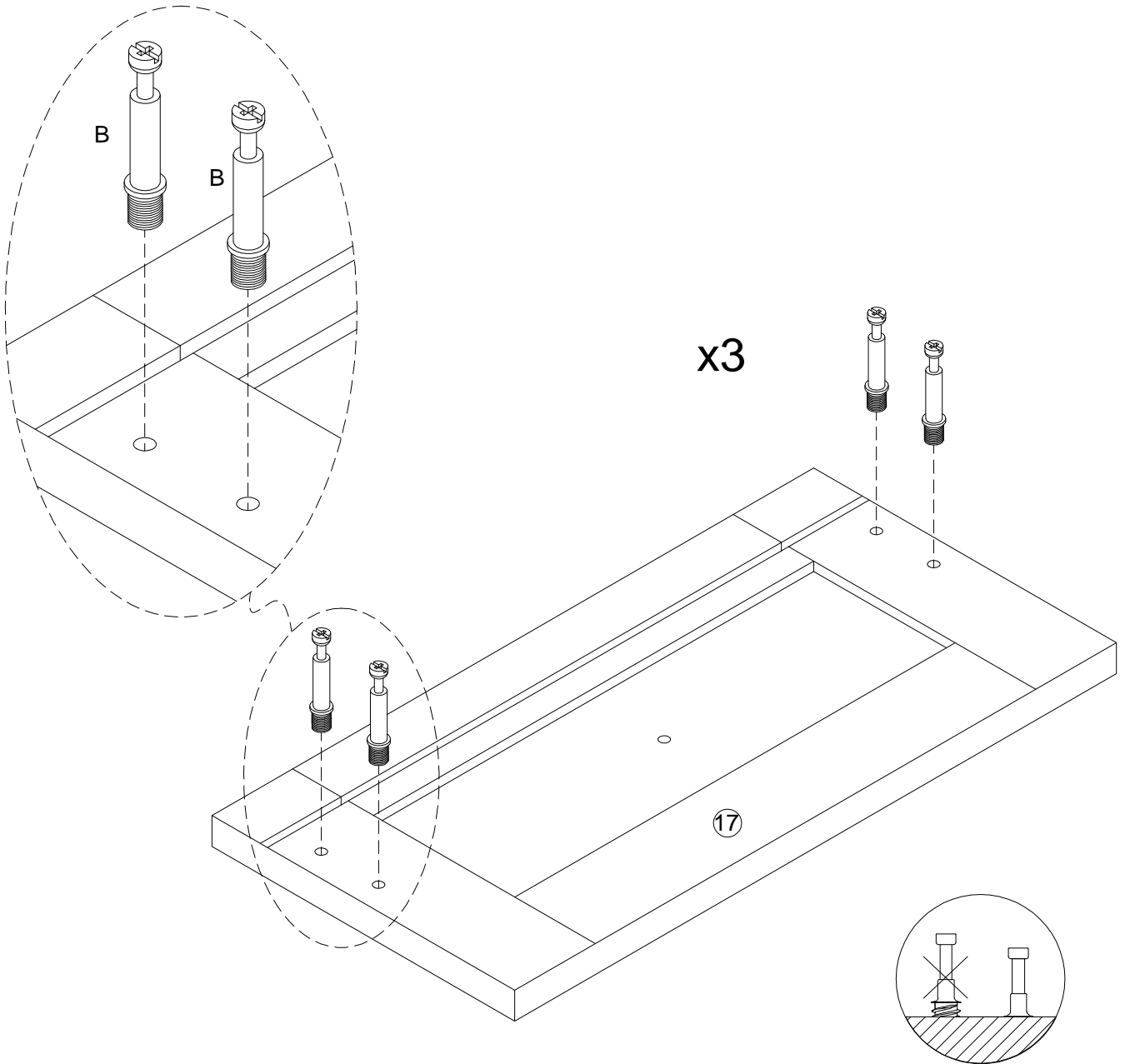
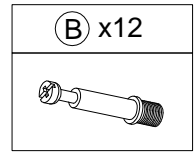


Step 19

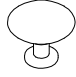



x3

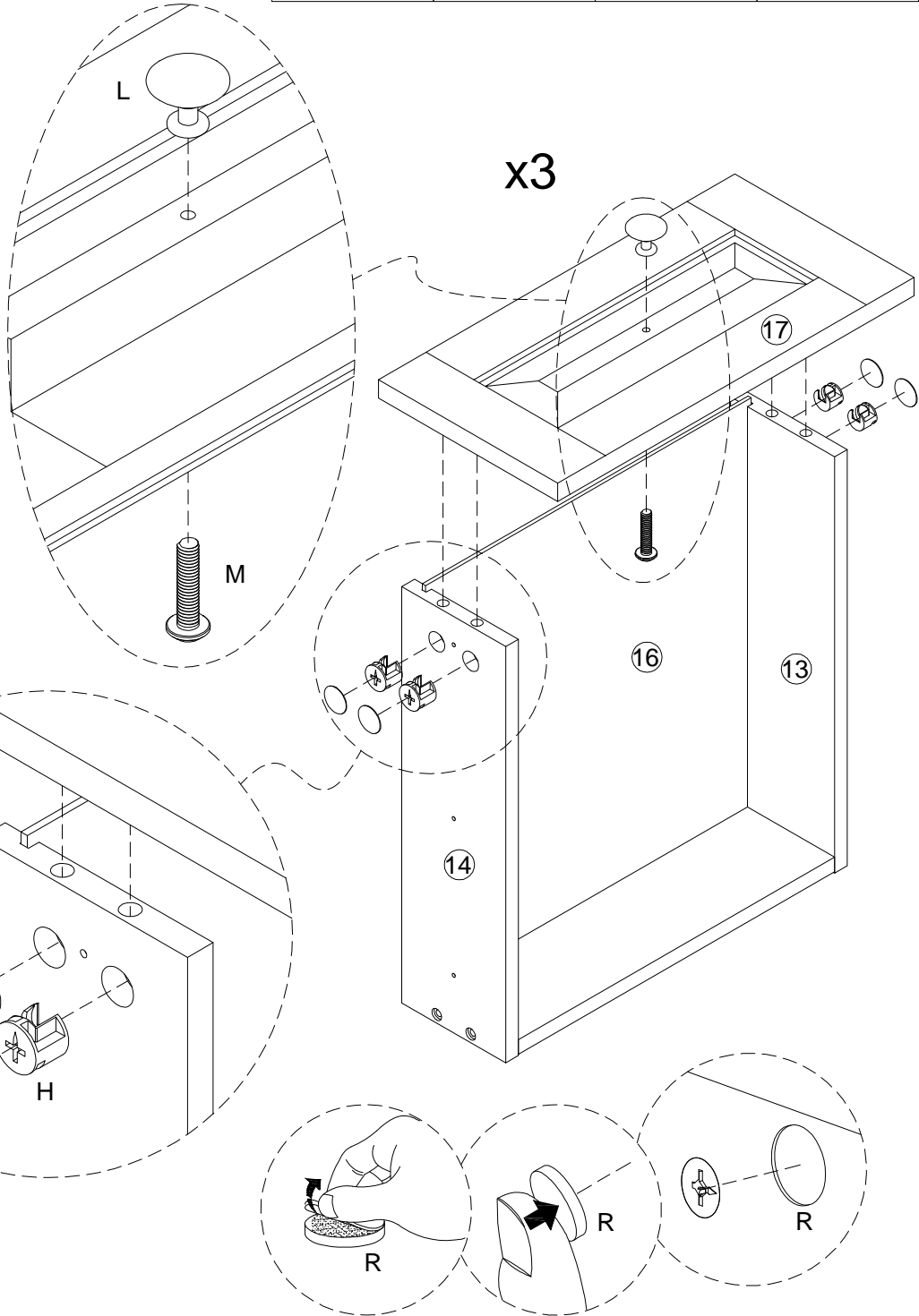
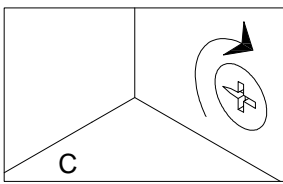
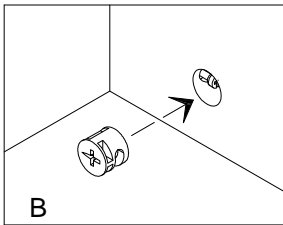
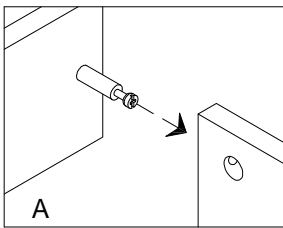


Step 20





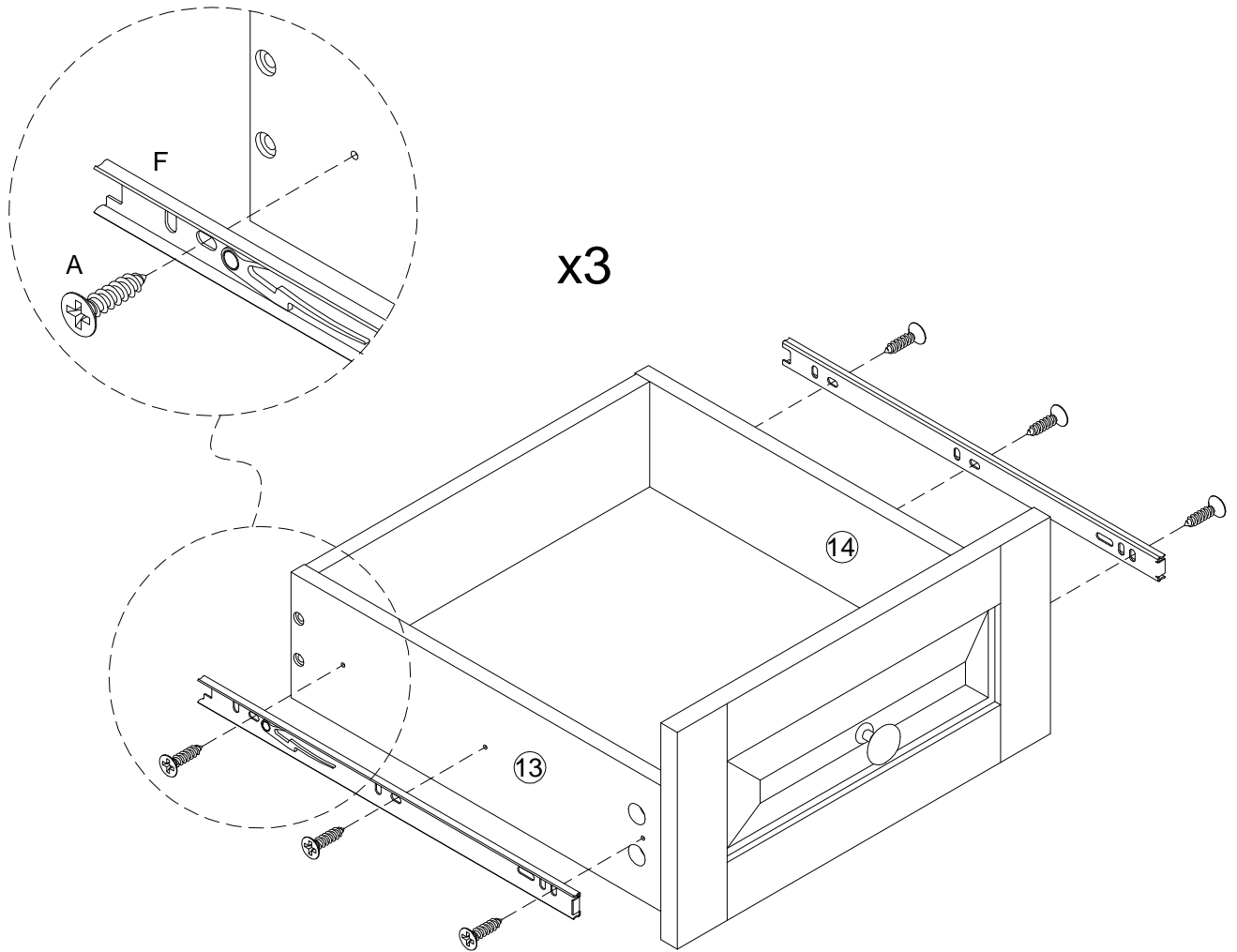
Step 21

(L) x3	(M) x3	(H) x12	(R) x12
			

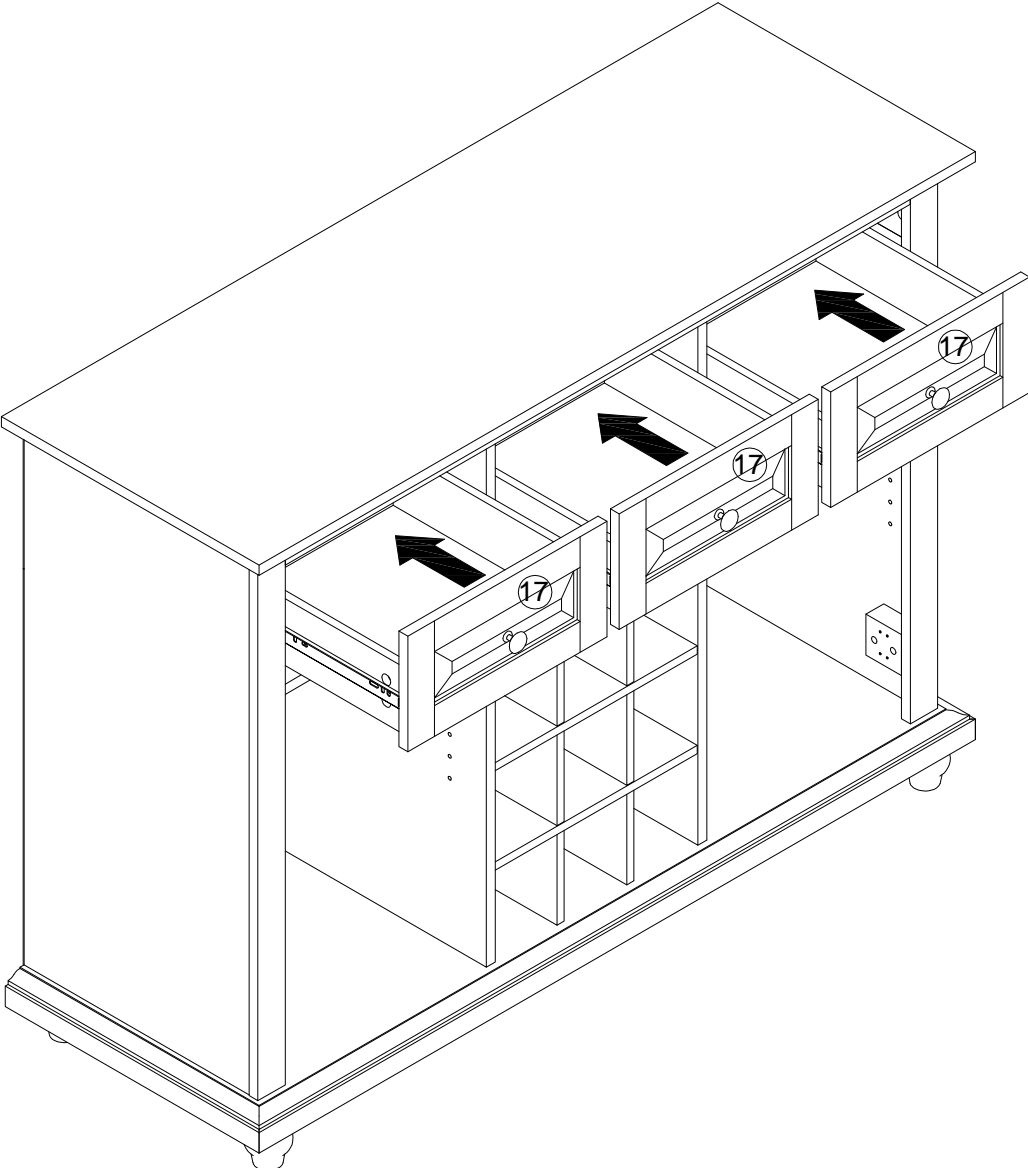


Step 22

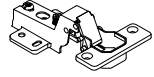

(A) x18	(F) x6
	 Drawer Slide Inner

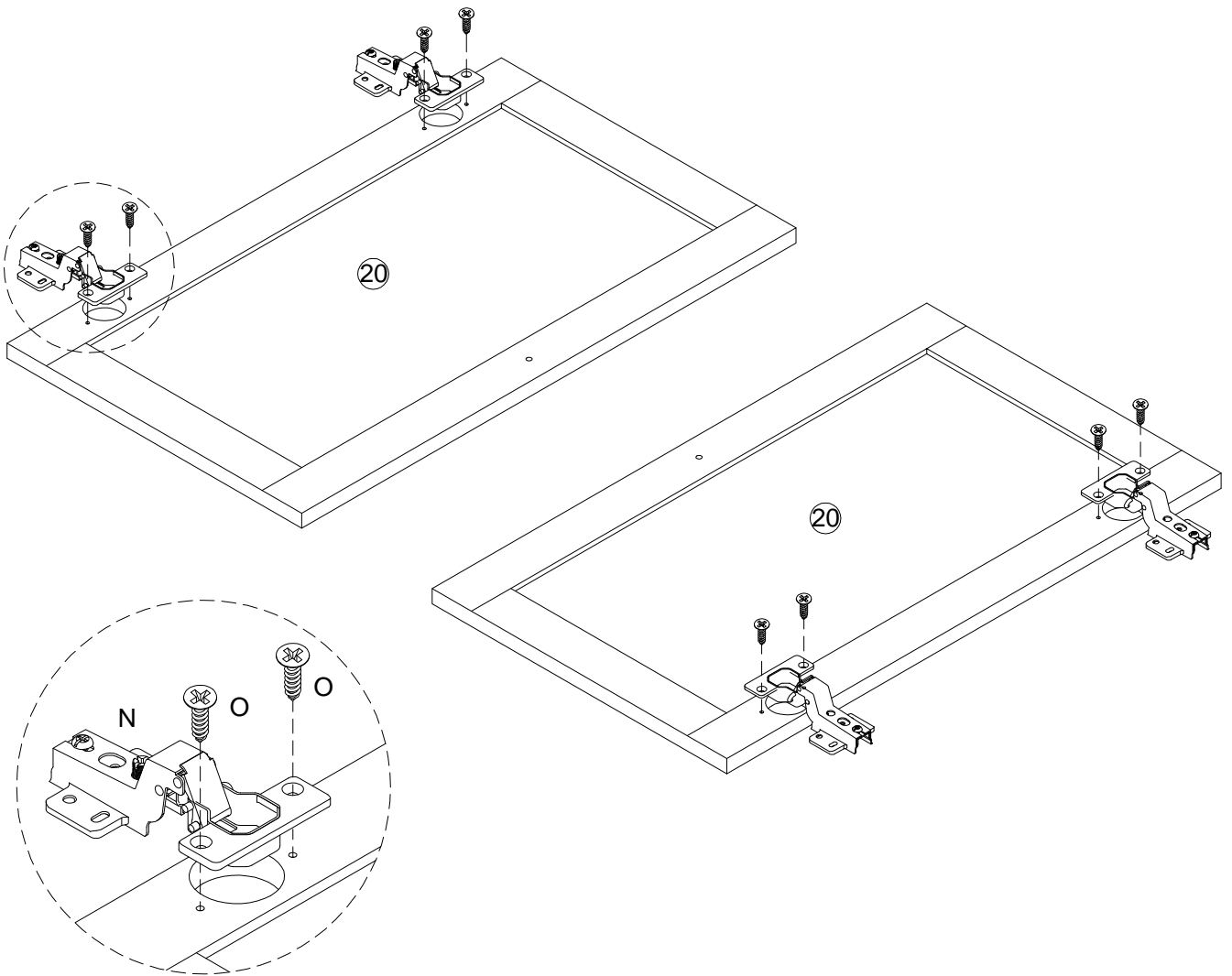


Step 23

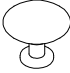




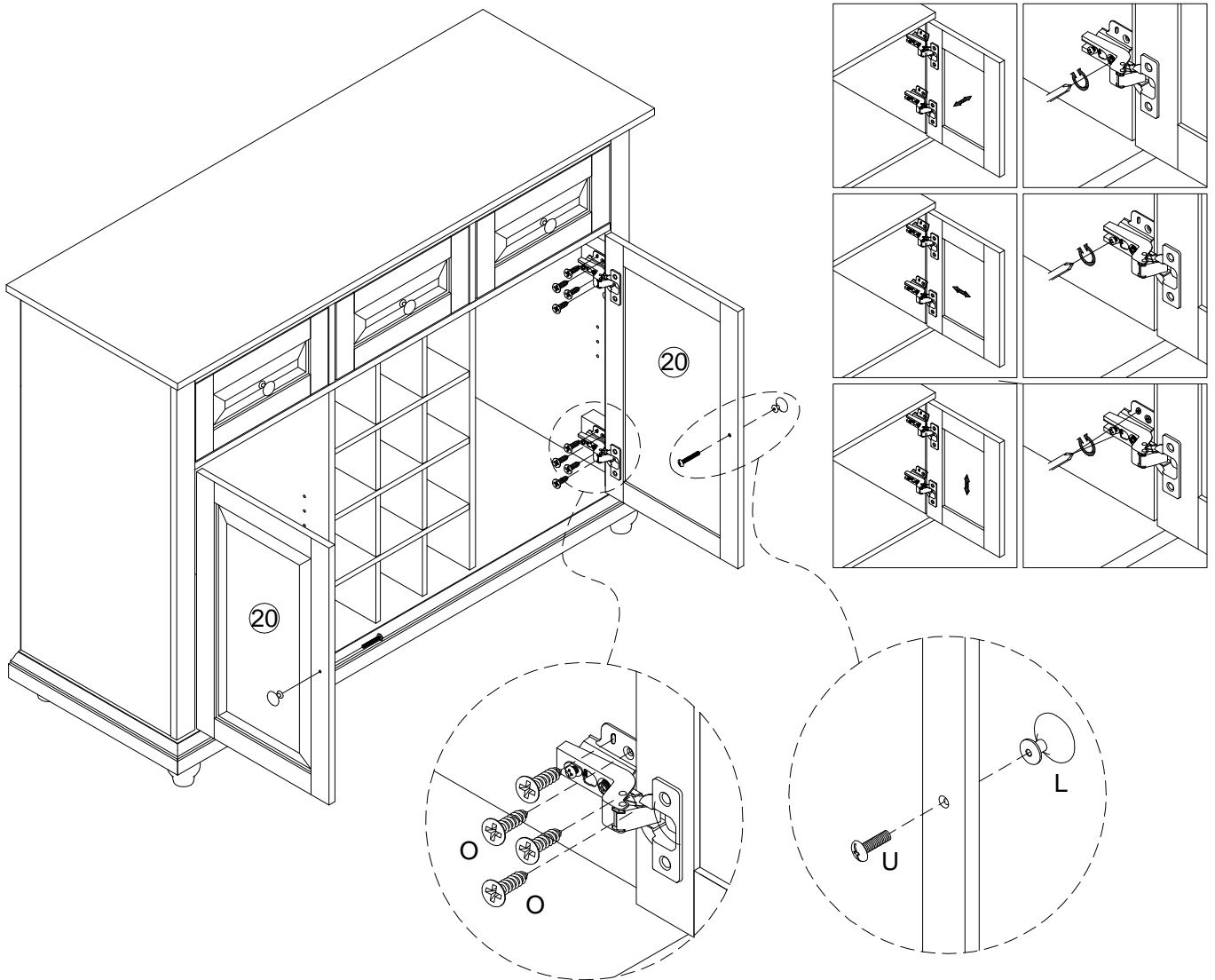
Step 24

N x4	O x8
	

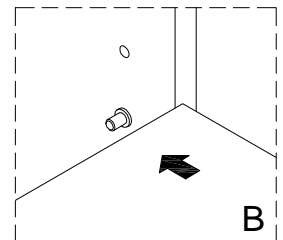
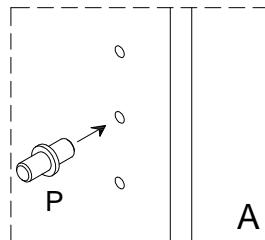
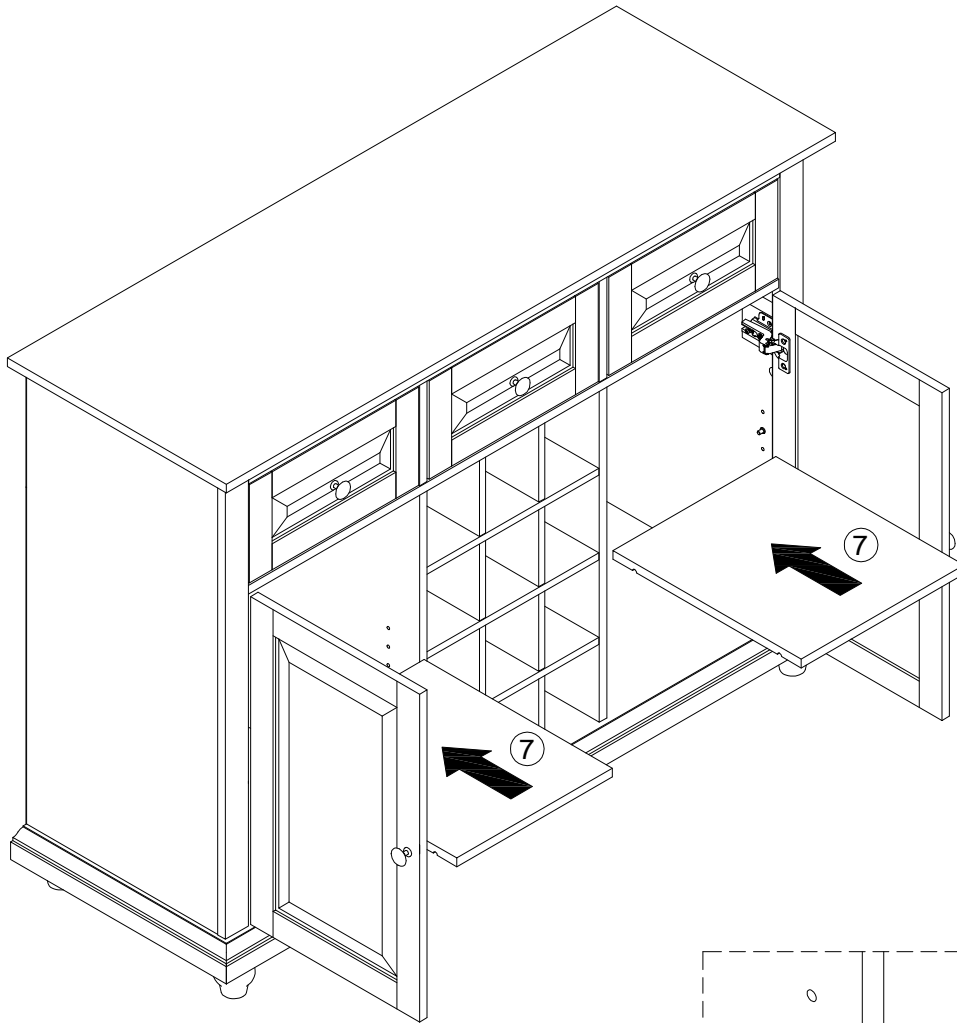
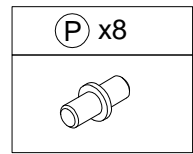


Step 25

L x2	U x2	O x16
		



Step 26



Step 27

