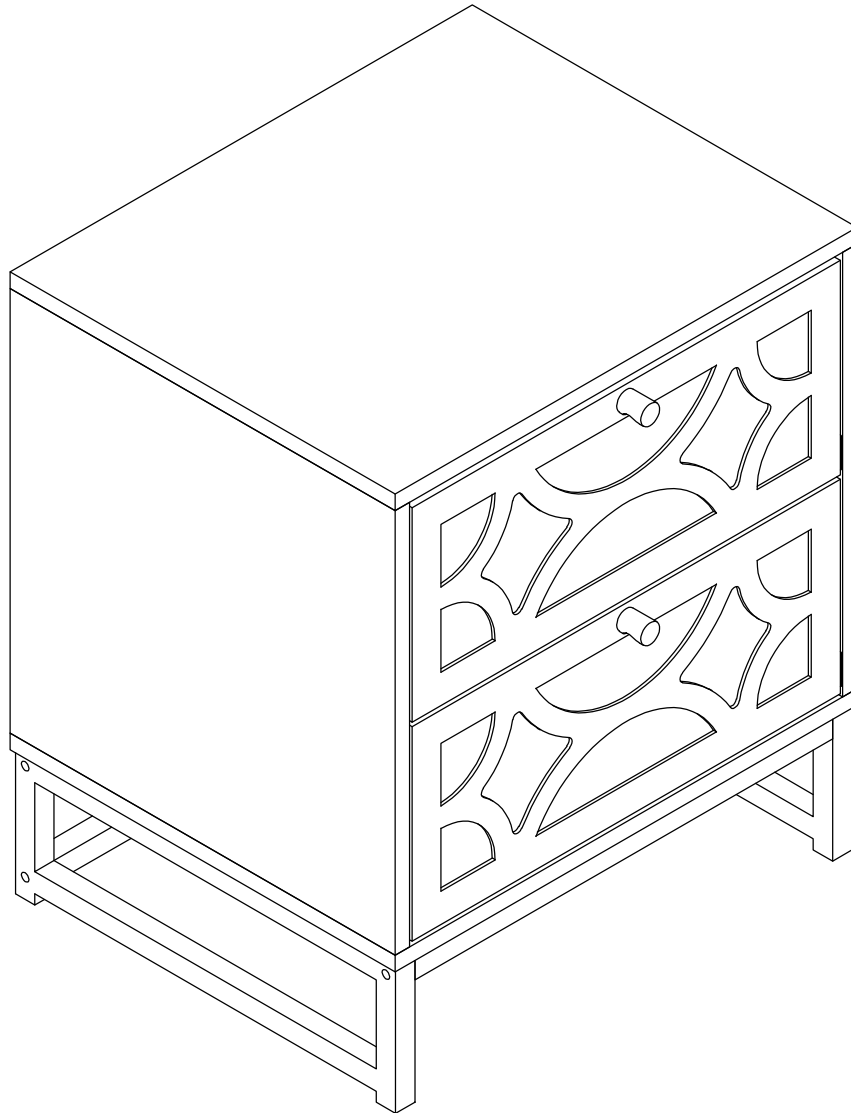


# Installation Instruction



Product name

---

**W688S00046**

# Assembling

---

## Estimated time for assembly

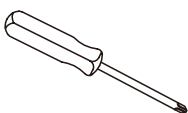


**30 : 00**

---

## What you need

- Use the packaging carton as a working surface to prevent product damage during assembly
- Phillips head screwdriver



## Weight Limitation



**30** | **11**  
lbs table top    lbs per drawer

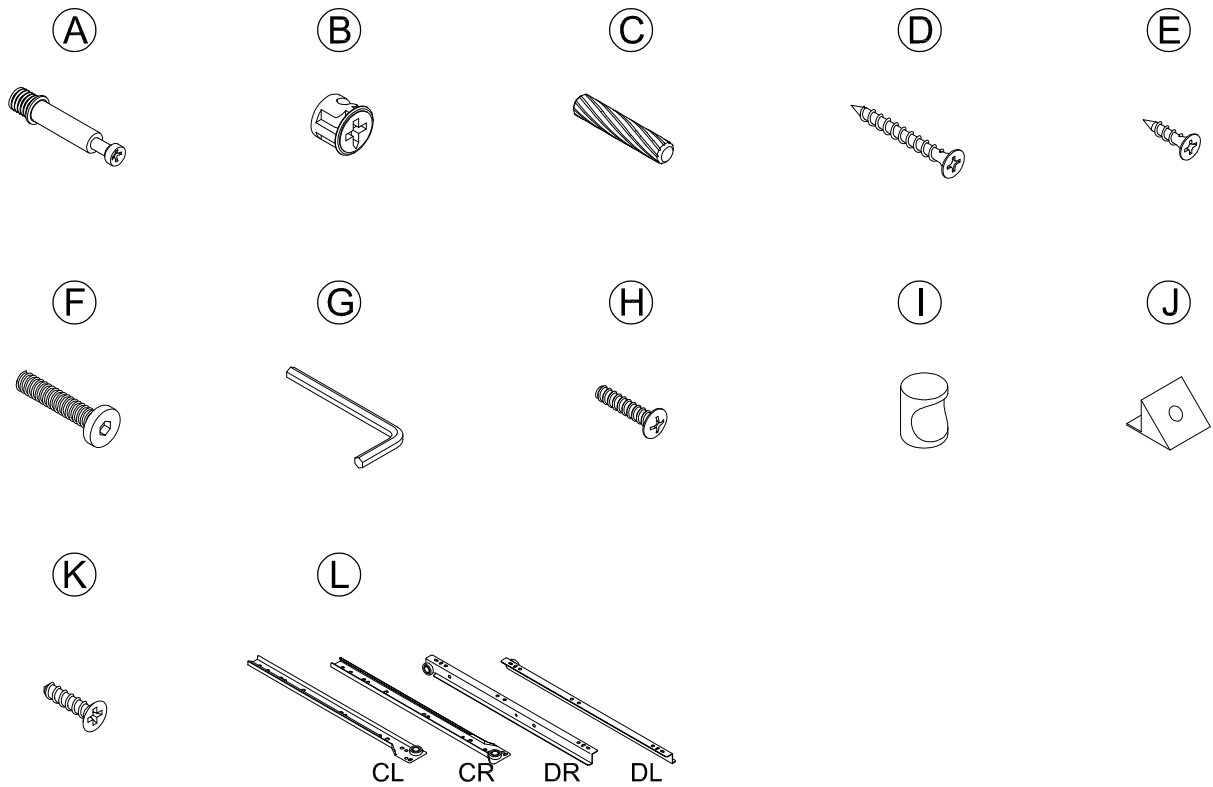
---

# What's included

---

Code	Description	Qty
A	Cam Bolt M6X35MM	12
B	Cam Lock 15X10MM	12
C	Wooden Dowel M8X30MM	8
D	Screw M4X35MM	12
E	Screw M3.5X12MM	24
F	Bolt M6X30MM	12
G	Allen Key	1
H	Bolt M4X18MM	2
I	Handle	2
J	Plastic corner support	4
K	Screw M3X14MM	4
L	Slide sets	2

# The Hardwares



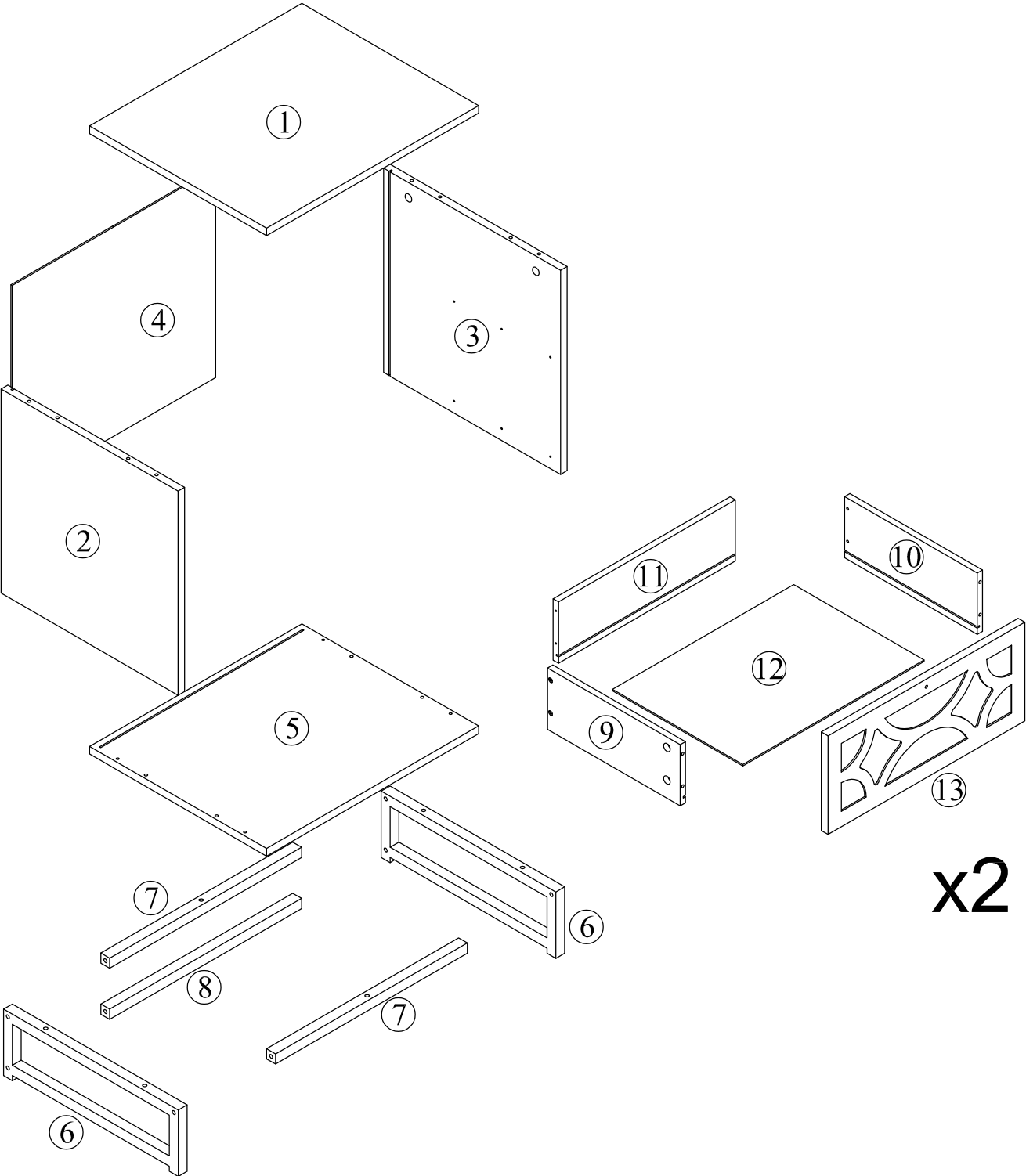
## IMPORTANT:

1. Do not tighten bolts / screws completely until all bolts / screws are lined up and inserted into holes.
2. Do not over tighten screws and bolts to avoid stripping.
3. Please use hand tools to assemble this product. Do not use power tools.

# Included Accessories

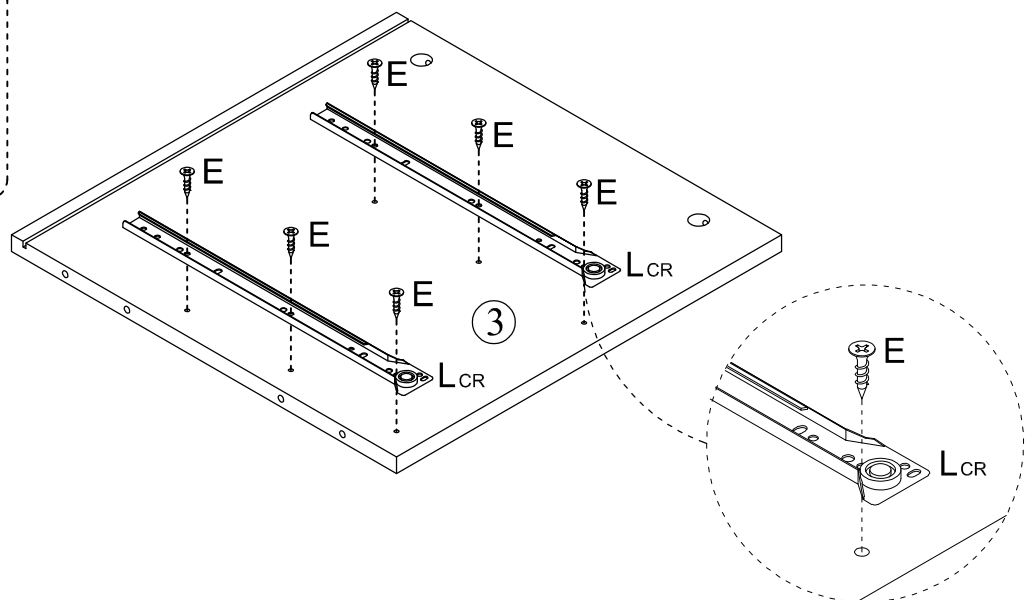
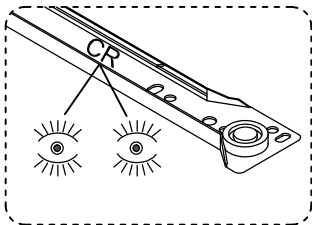
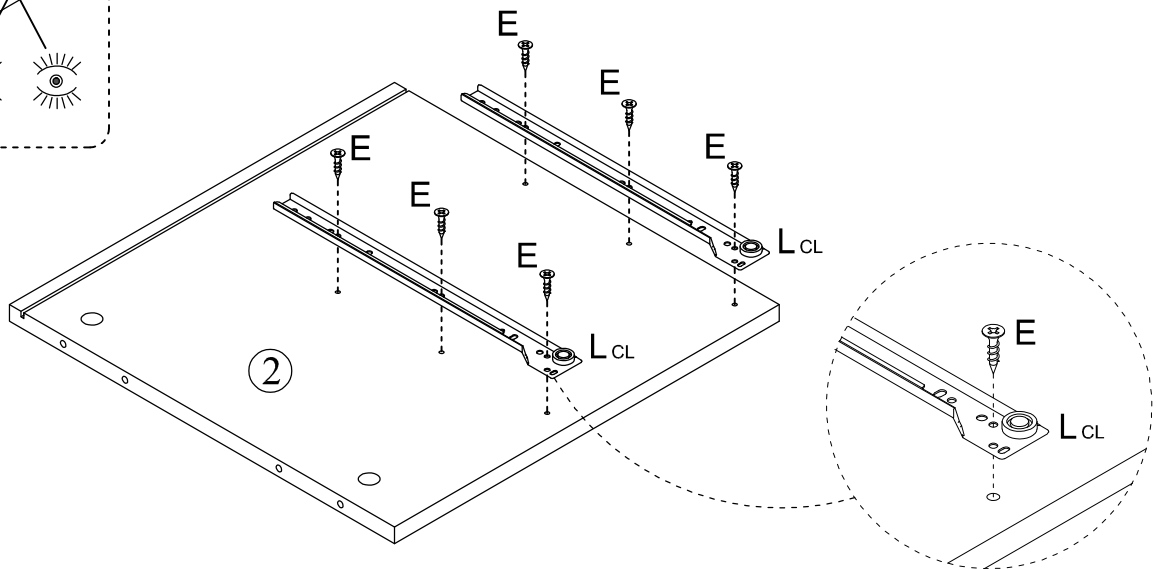
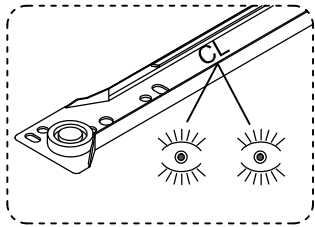
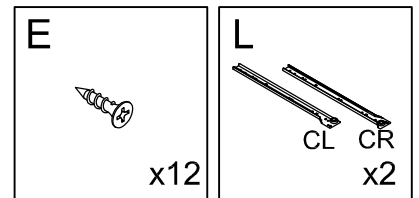
<b>Code</b>	<b>Description</b>	<b>Qty</b>
1	Cabinet Top	1
2	Left Side Panel	1
3	Right Side Panel	1
4	Back Panel	1
5	Bottom Panel	1
6	Side Frame	2
7	Top Metal Stretcher	2
8	Bottom Metal Stretcher	1
9	Drawer Left Side Panel	2
10	Drawer Right Side Panel	2
11	Drawer Back Panel	2
12	Drawer Bottom Panel	2
13	Drawer Front Panel	2

# The Accessoriss

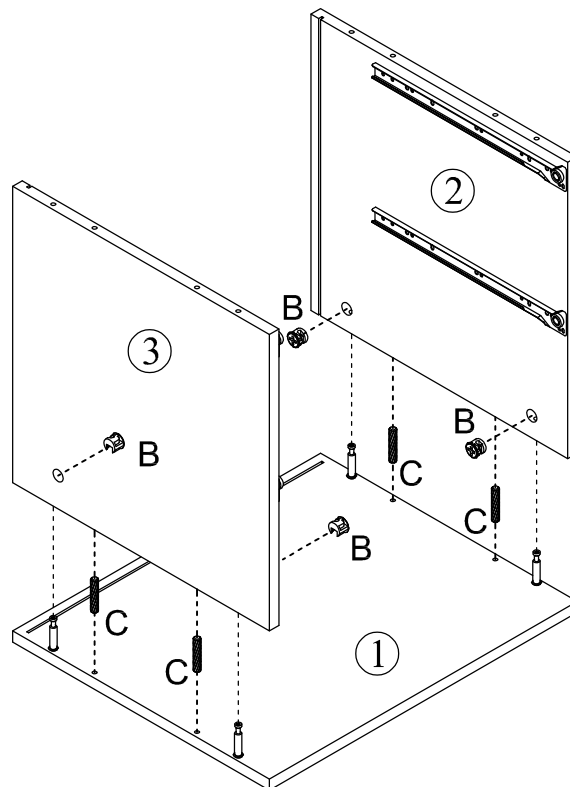
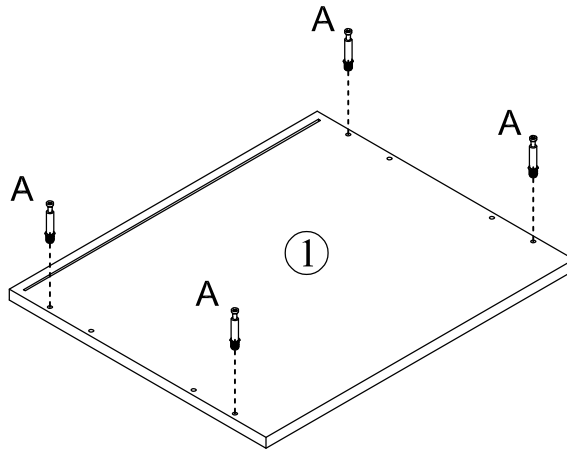
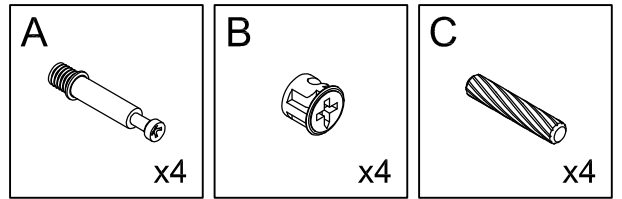


x2

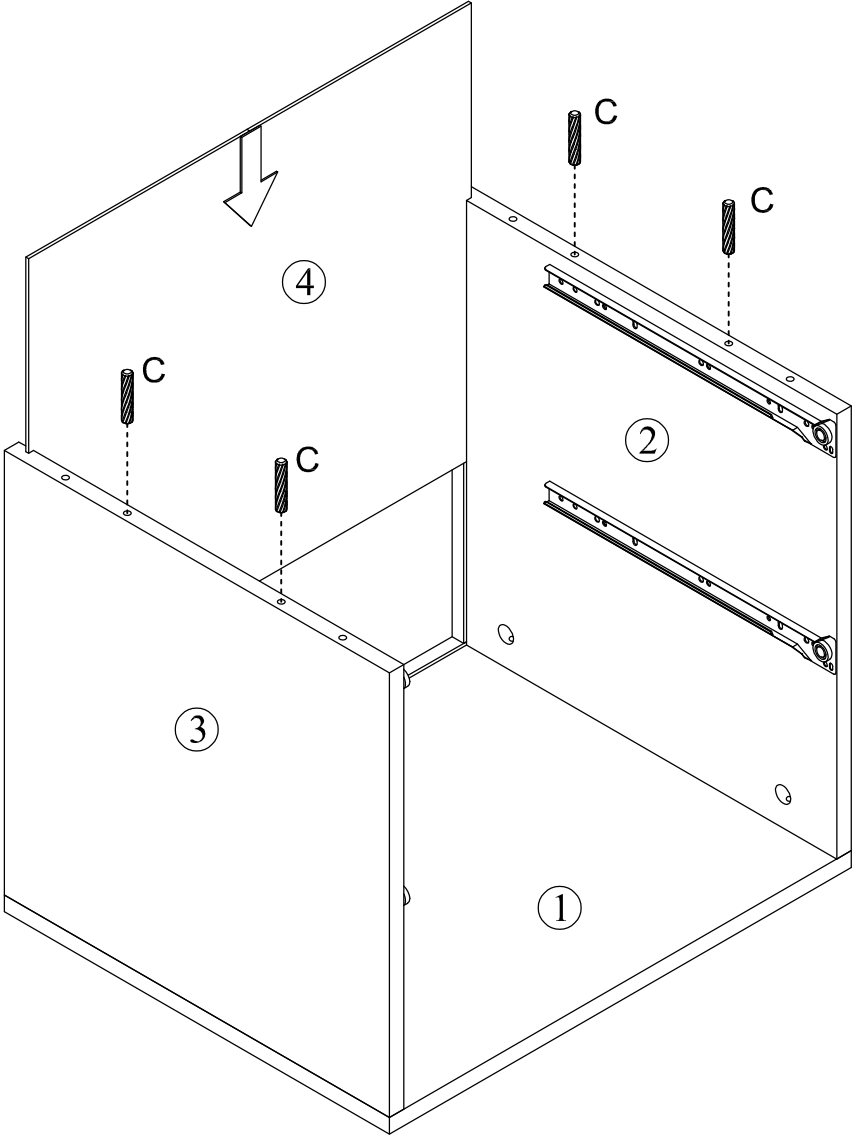
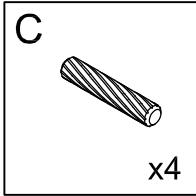
# STEP 1



# STEP 2

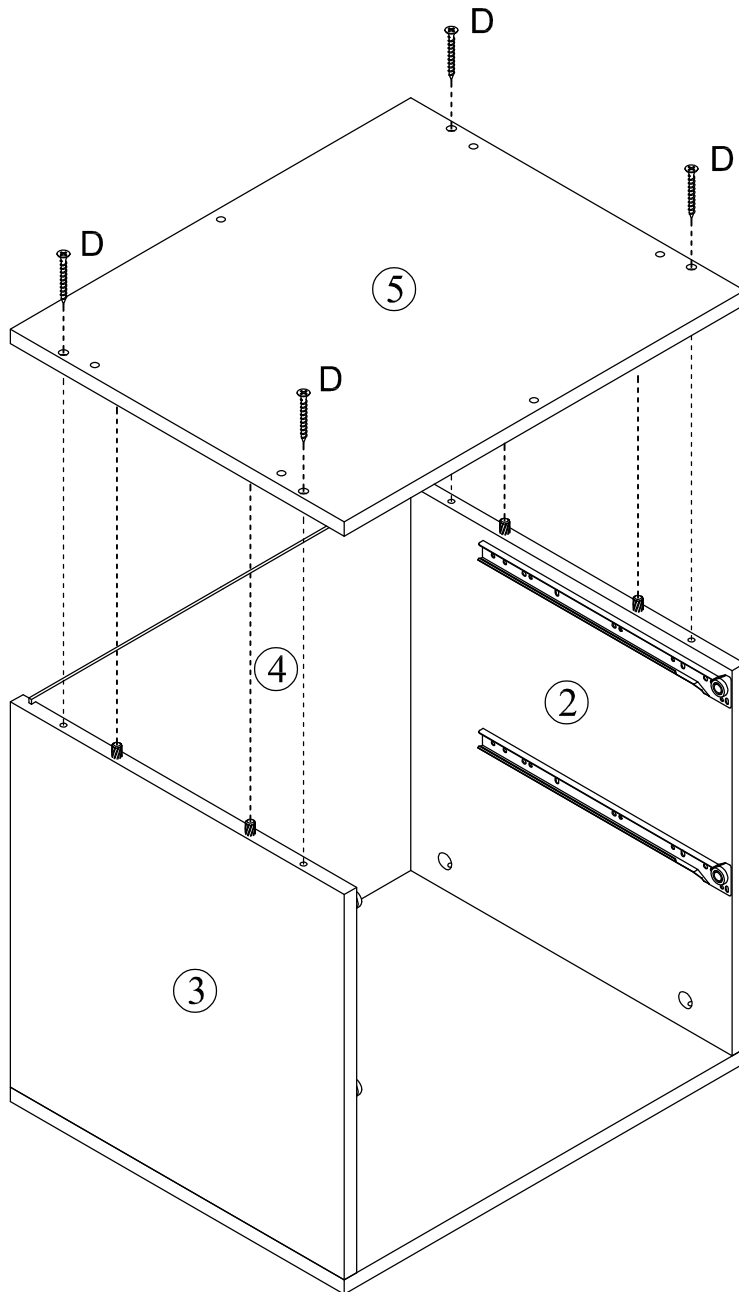
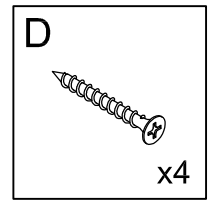


# STEP 3

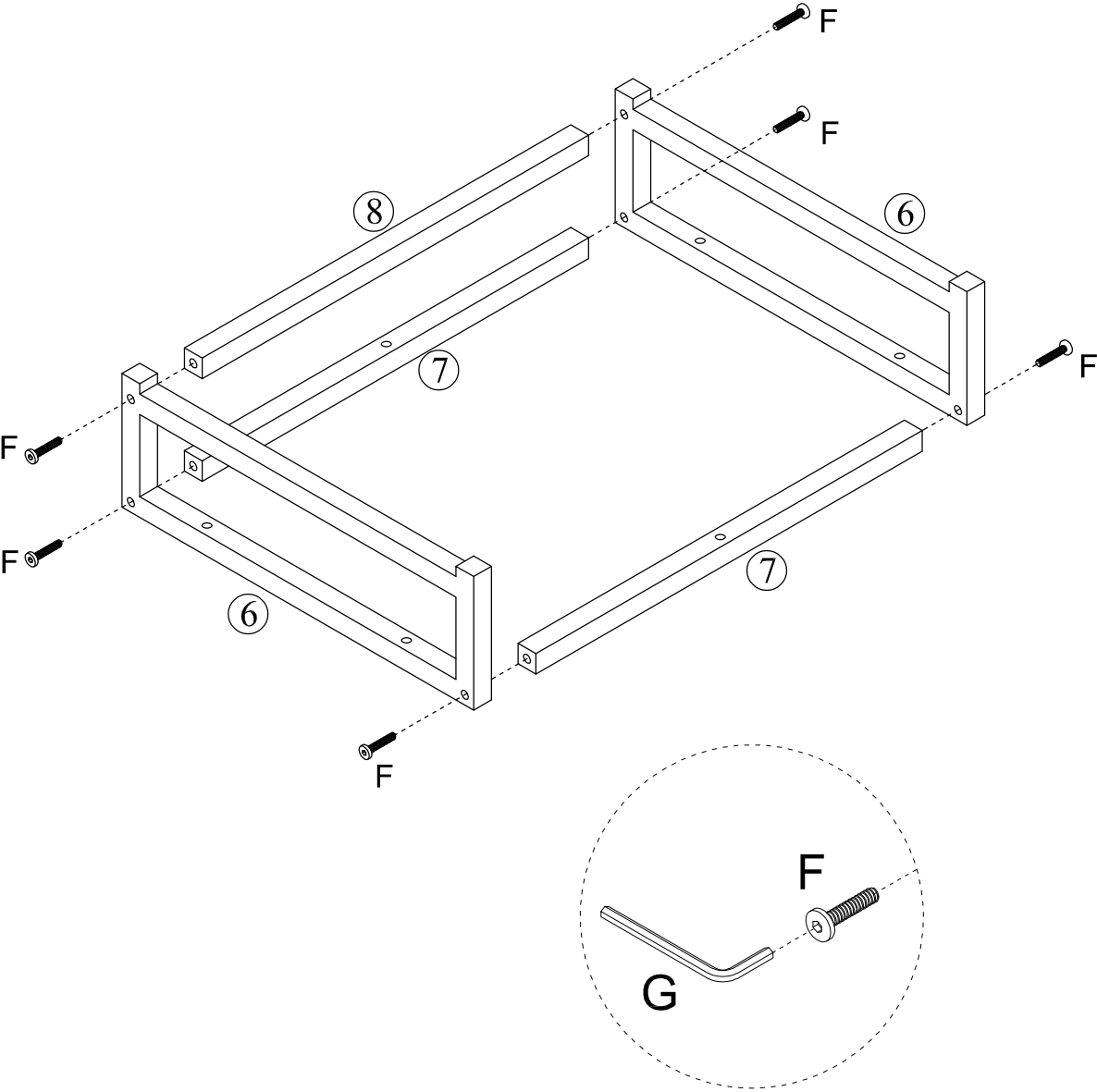
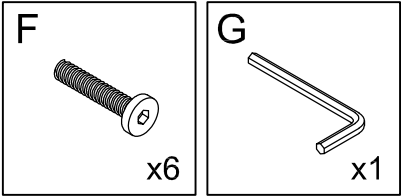




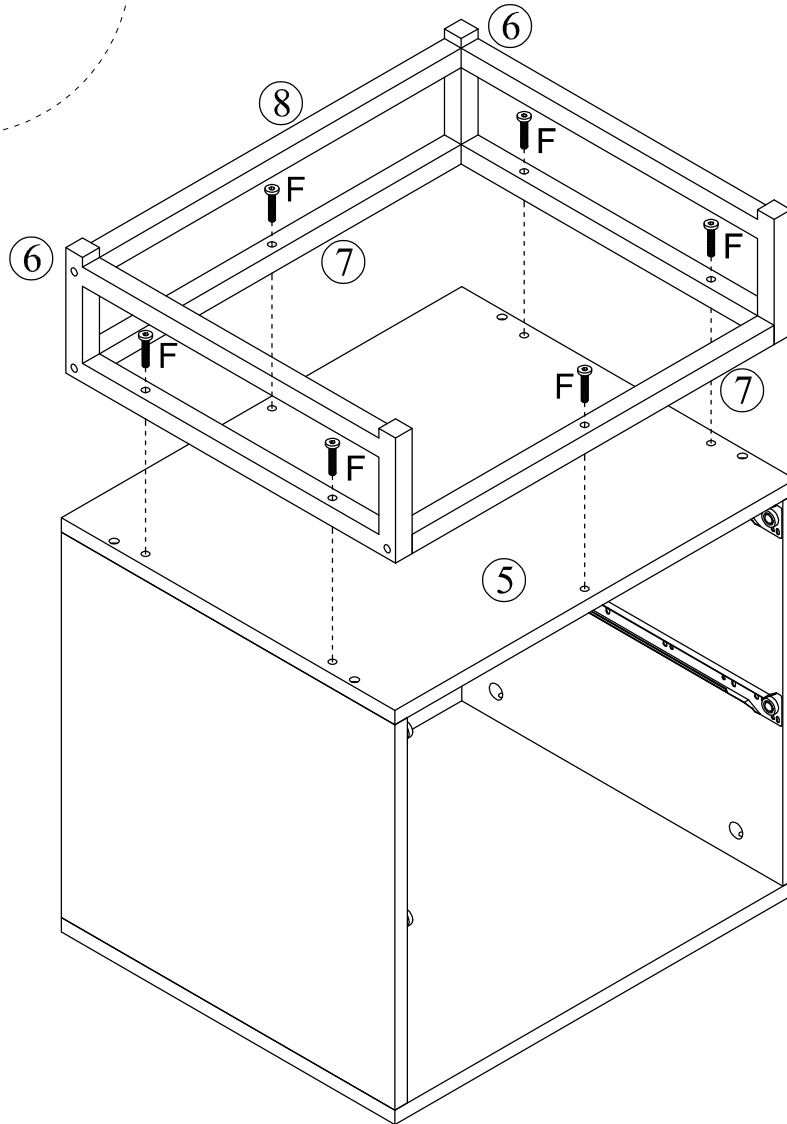
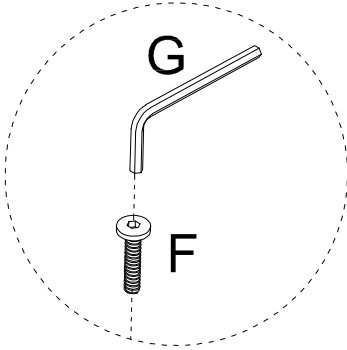
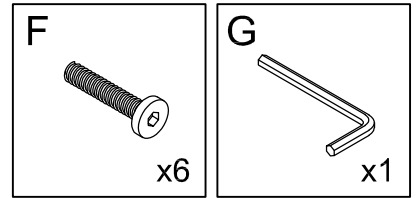
# STEP 4



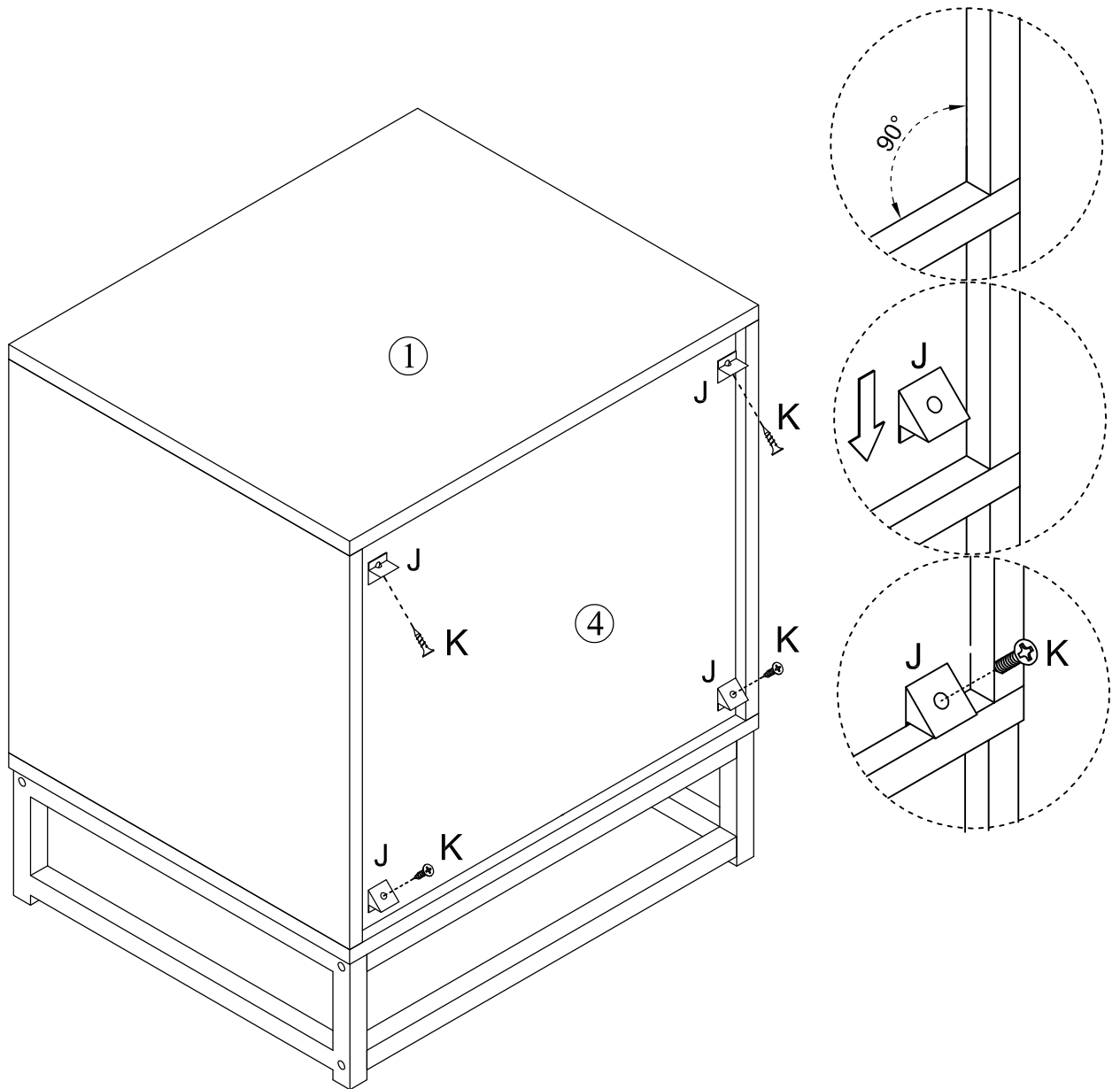
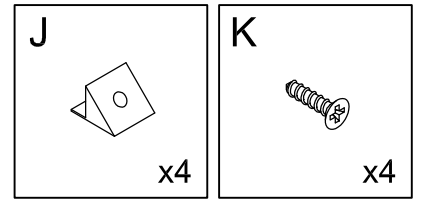
# STEP 5



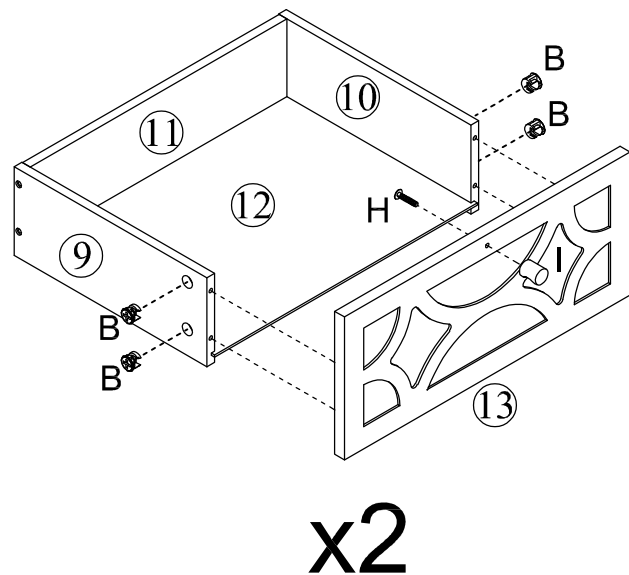
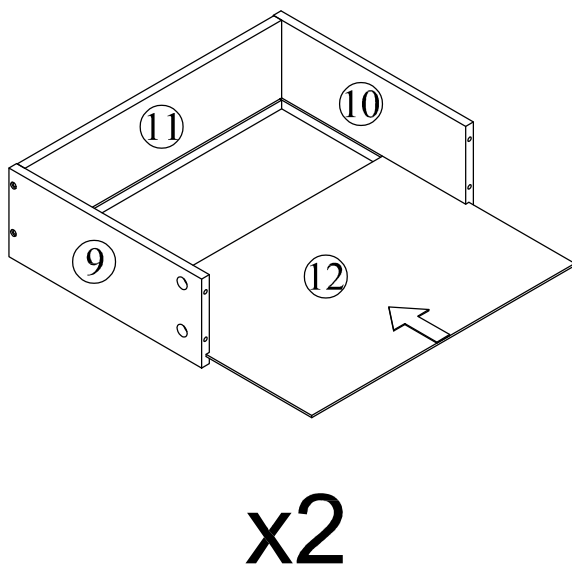
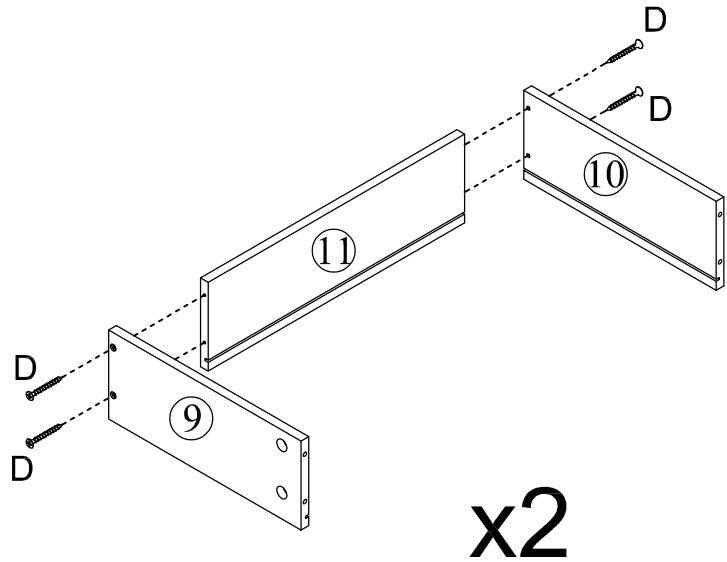
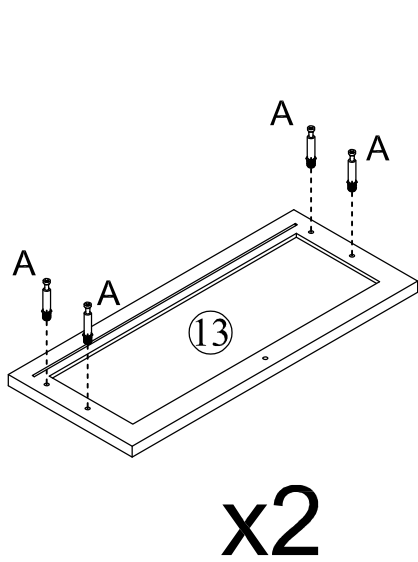
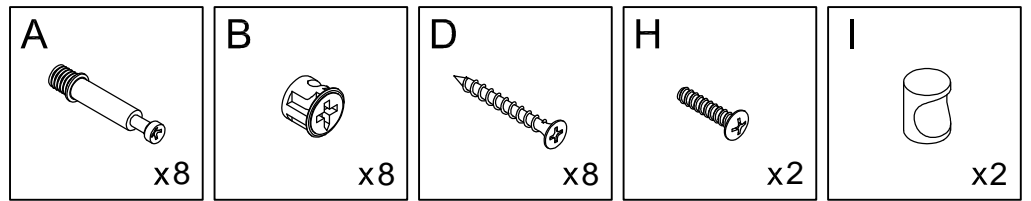
# STEP 6



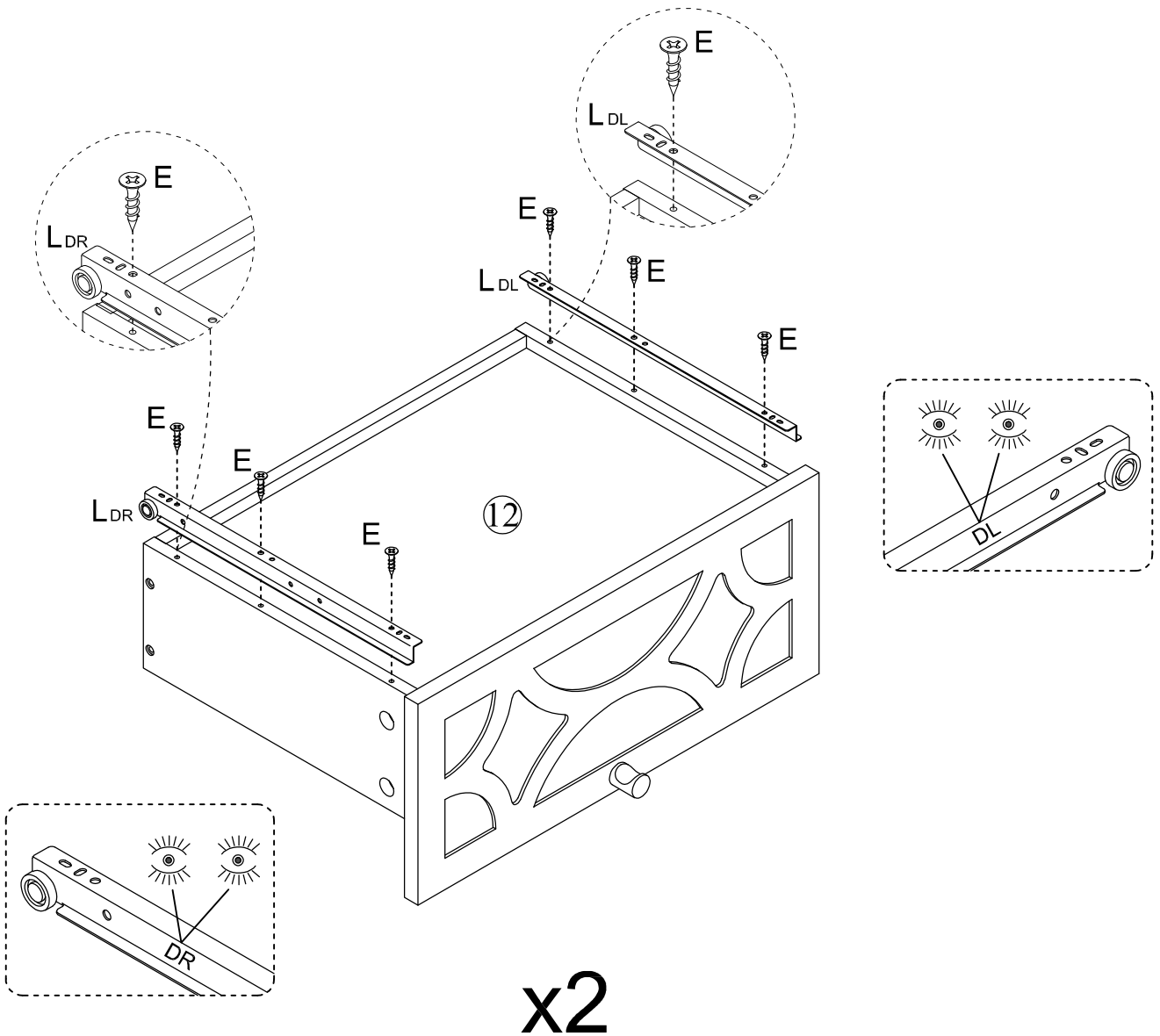
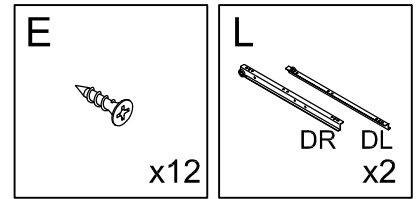
# STEP 7



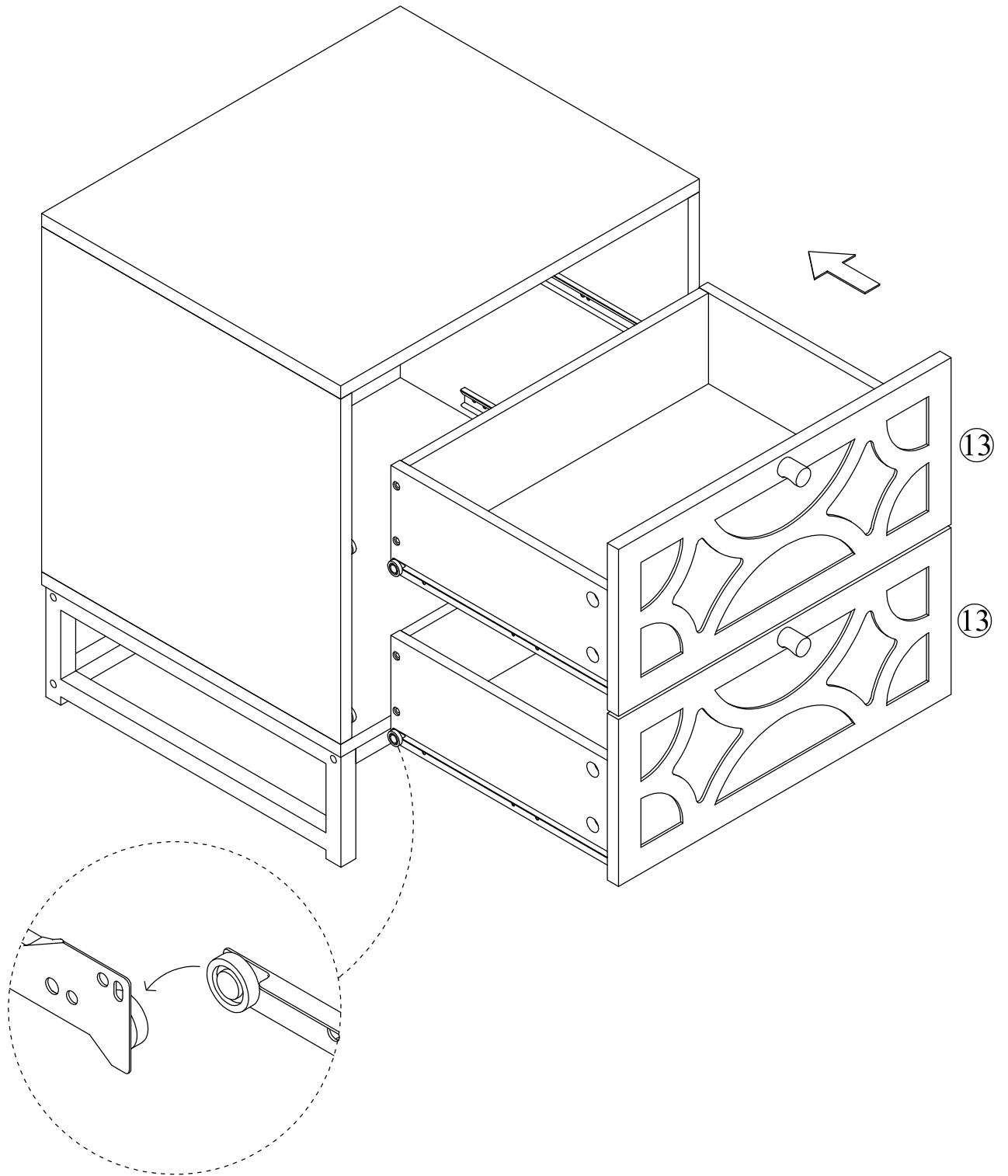
# STEP 8



# STEP 9



# STEP 10



# Proper Use

- DO NOT** use for commercial purposes
- DO NOT** use as a step stool or stand on table
- DO NOT** put hot serving liquid directly on the table top
- DO NOT** leave spilled liquid on the table top
- DO NOT** use table if damaged
- DO NOT** exceed weight limit
- DO NOT** make temporary repairs
- DO NOT** use outdoor

**Dear Customer:**

**Thank you for purchasing our product, we wish you satisfy our service, if you have any further questions or any quality issues, please show the belows number and don't hesitate to contact our Customer Service People :**

**W688202304**