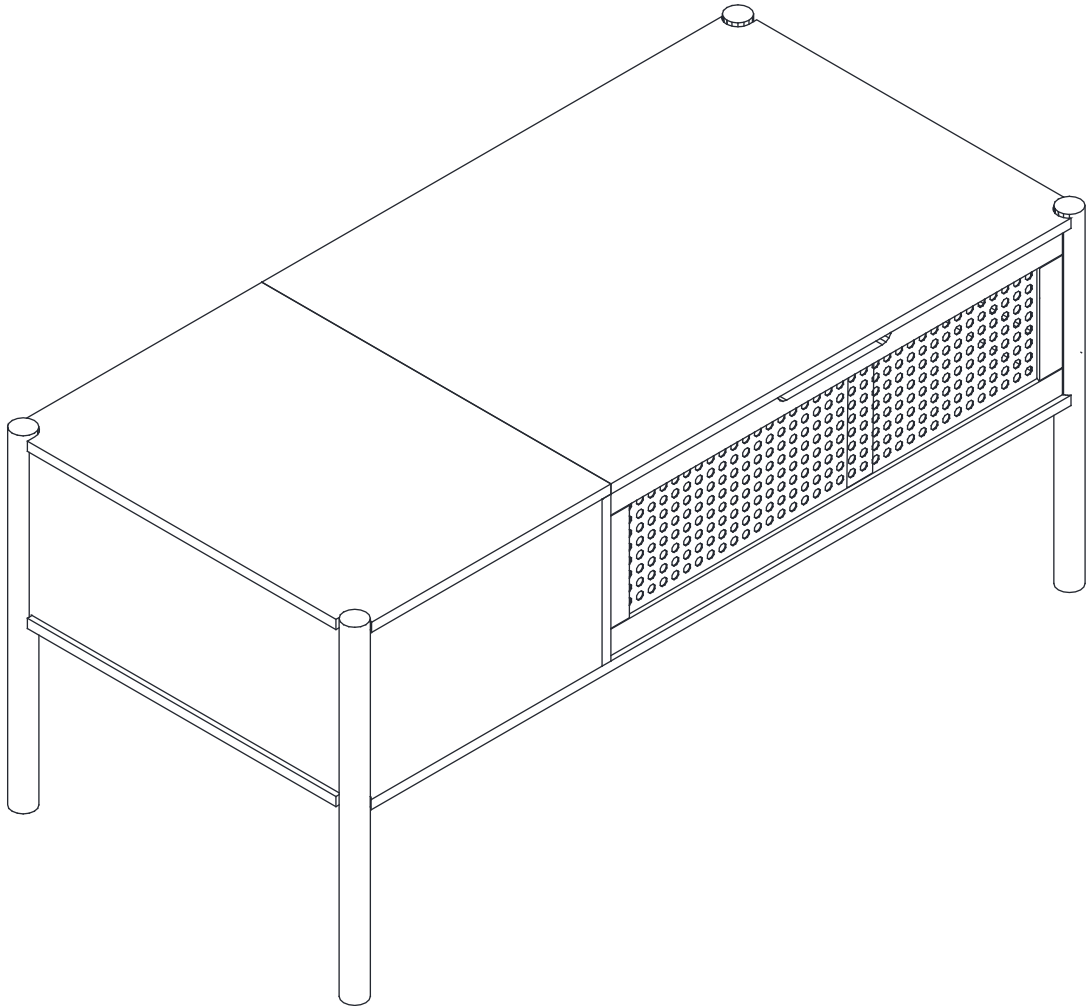


# Installation Instruction



Product name

---

**W68869881**

# Assembling

---

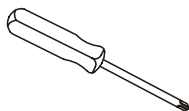
Estimated time for assembly



**40:00**

What you need

- Use the packaging carton as a working surface to prevent product damage during assembly
- Phillips head screwdriver



Weight Limitation



**44**  
lbs table top

**22**  
lbs per shelf



# What's included

---

Code	Description	Qty
A	Cam Bolt M6X35mm	8
B	Cam Lock Ø15X9mm	8
C	Wooden Dowel Ø6x30mm	18
D	Adjustable foot	1
E	Screw Ø4x30mm	12
F	Right Air Support	1
G	Left Air Support	1
H	Screw Ø4x12mm	18
I	Connecting Iron Pipe	1
J	Screw M6x25mm	2

# The Hardware

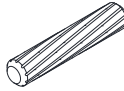
A



B



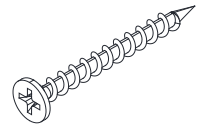
C



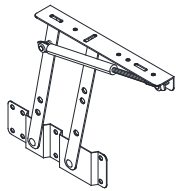
D



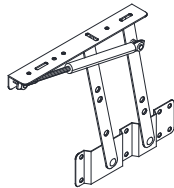
E



F



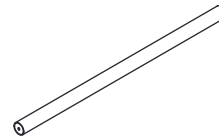
G



H



I



J



## IMPORTANT:

1. Do not tighten bolts / screws completely until all bolts / screws are lined up and inserted into holes.
2. Do not over tighten screws and bolts to avoid stripping.
3. Please use hand tools to assemble this product. Do not use power tools.

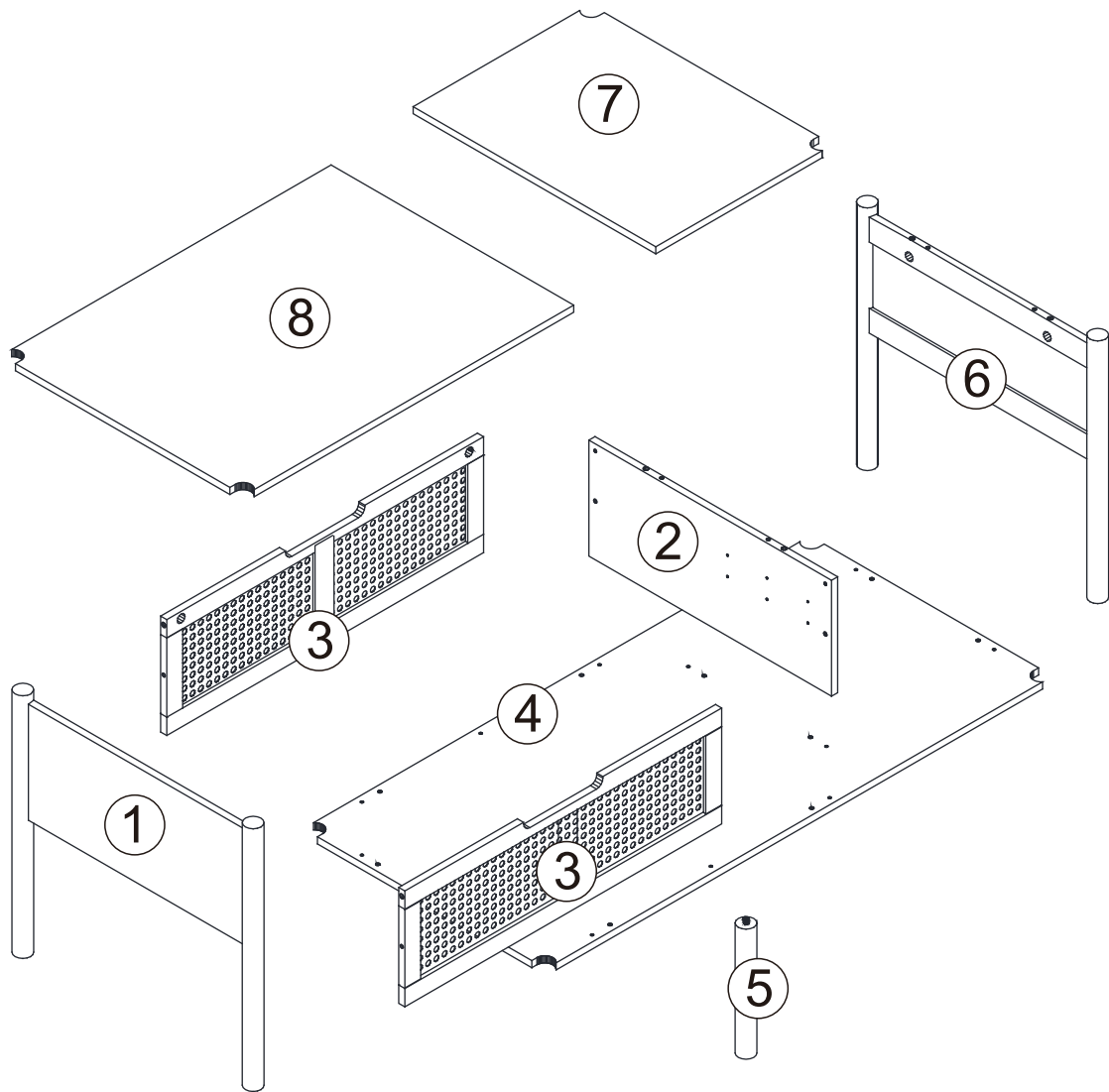
# Included Accessories

---

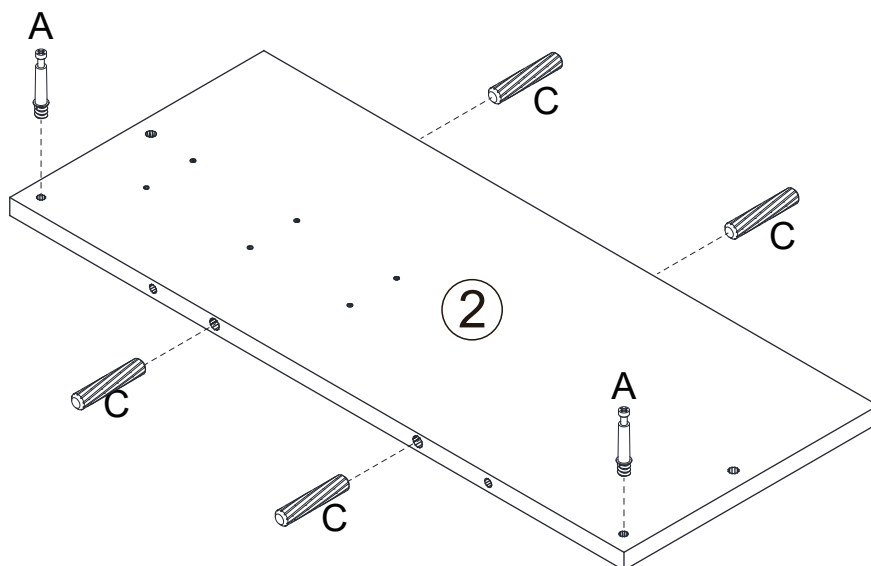
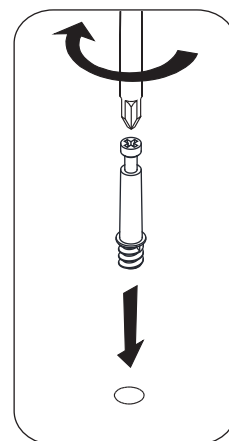
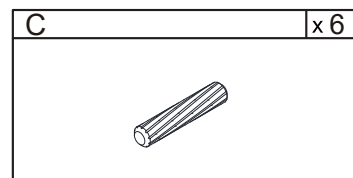
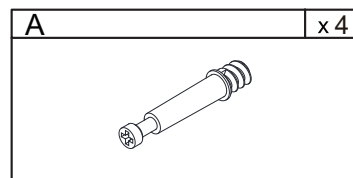
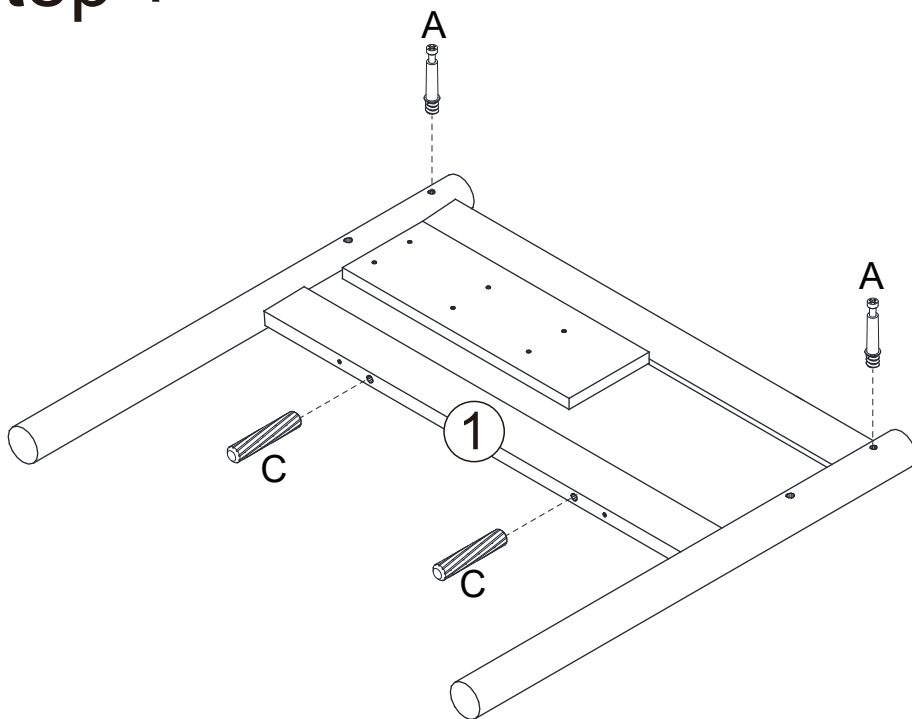
Code	Description	Qty
1	Left Side Panel	1
2	Divider Panel	1
3	Front Panel	2
4	Bottom Panel	1
5	Middle Foot	1
6	Right Side Panel	1
7	Right Cabinet Top	1
8	Left Cabinet Top	1

---

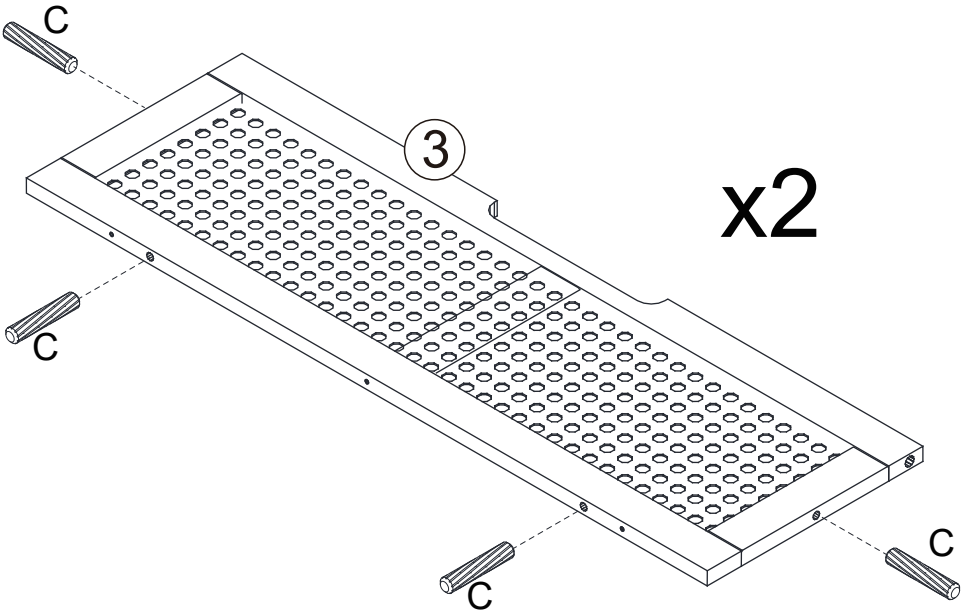
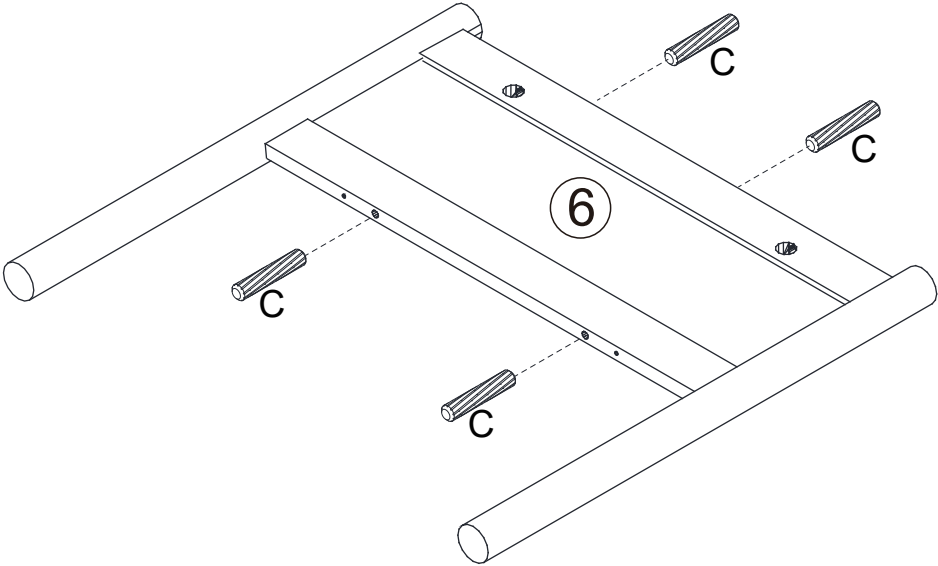
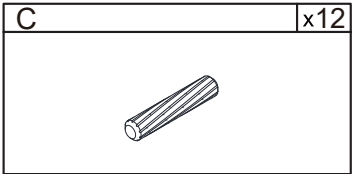
# The Accessoriess



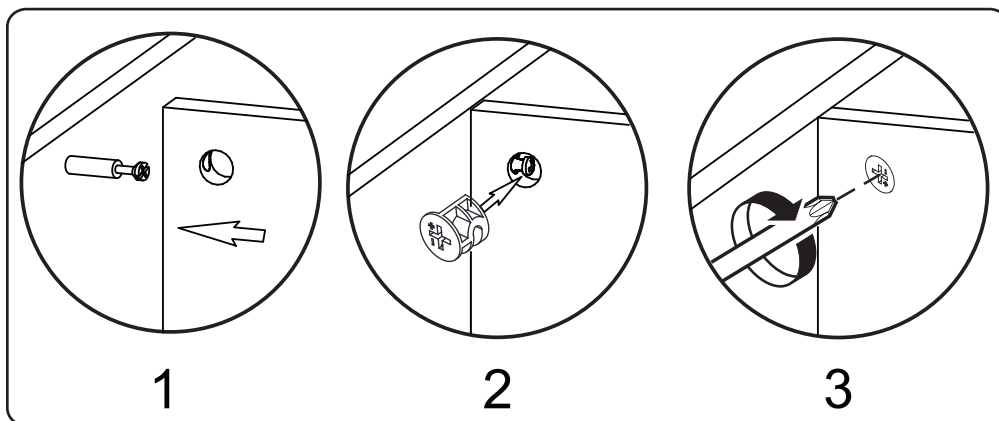
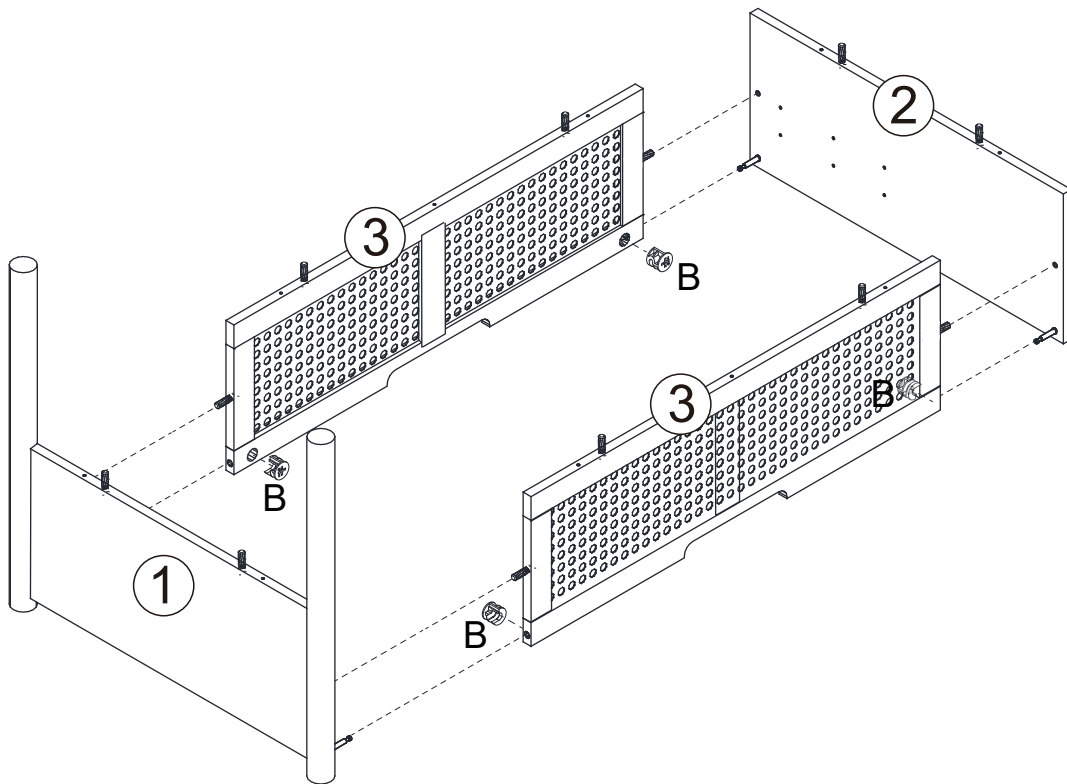
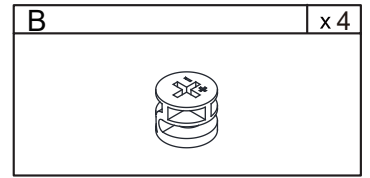
# Step 1



# Step 2

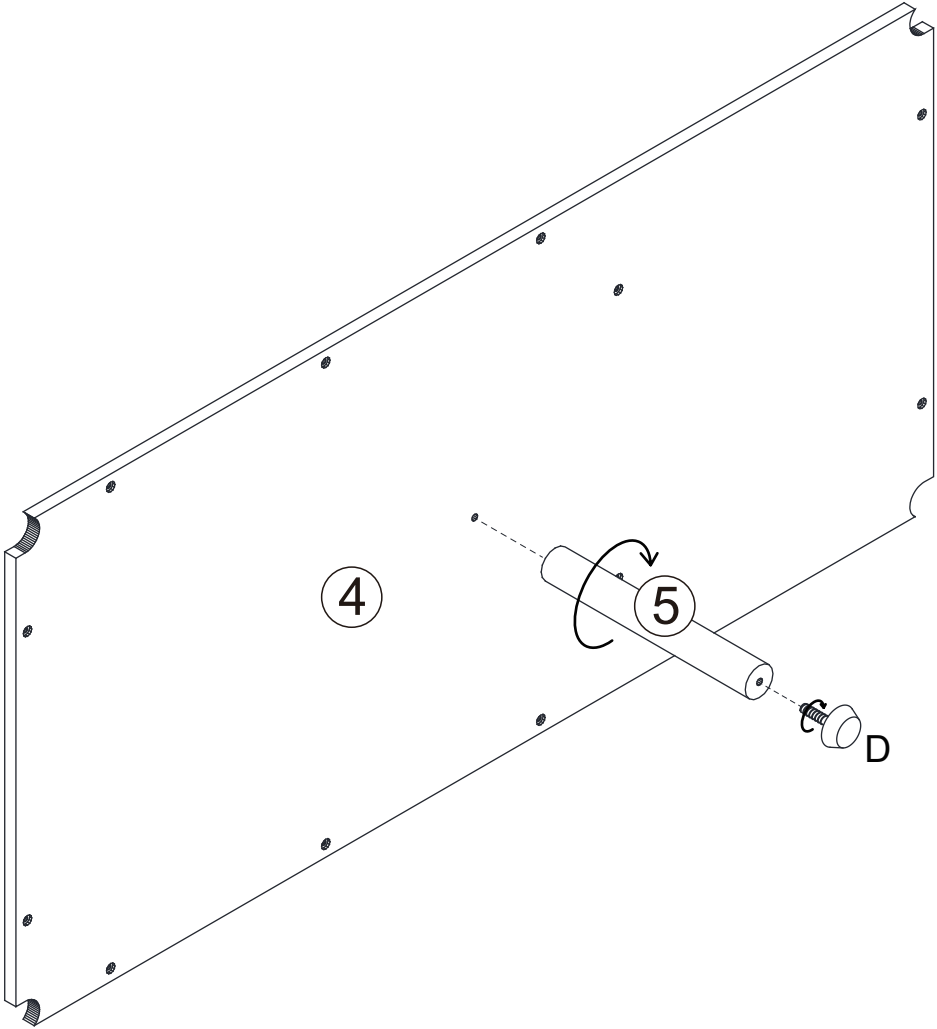
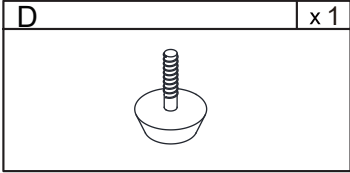


# Step 3

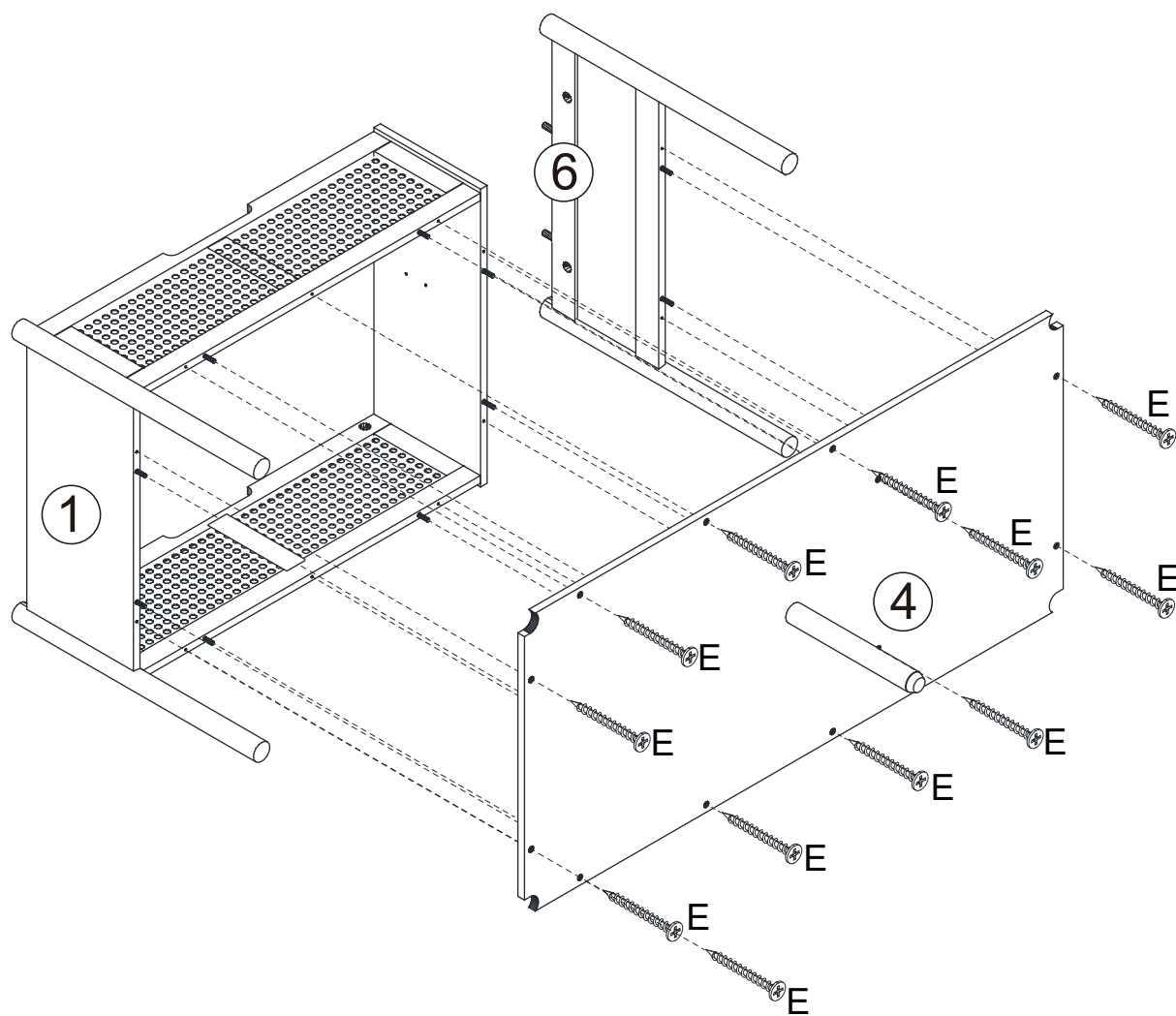
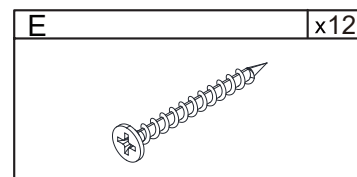




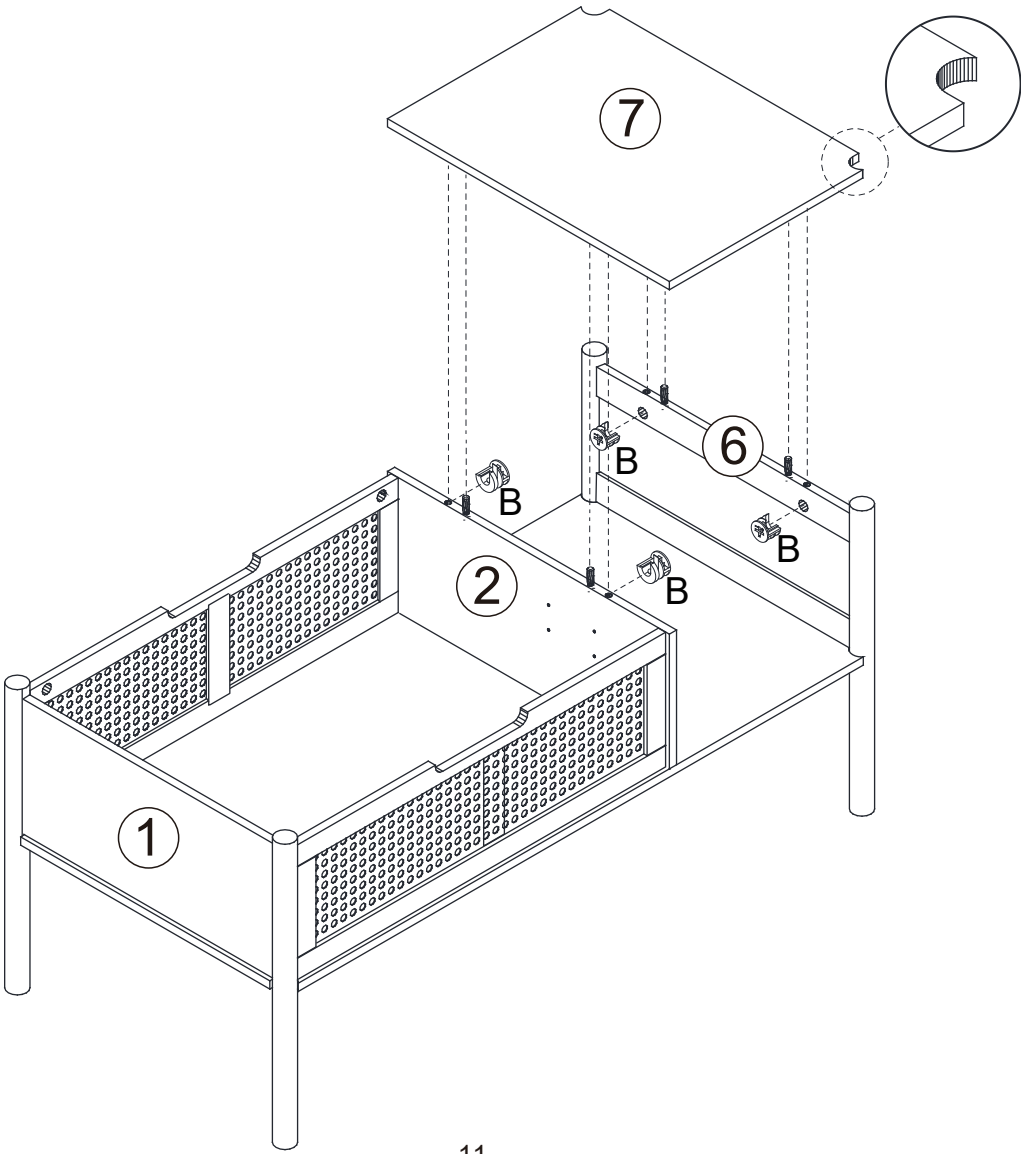
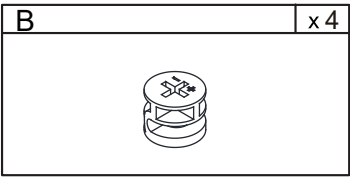
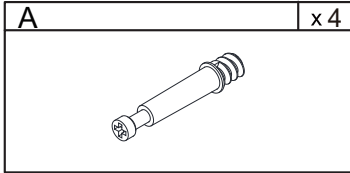
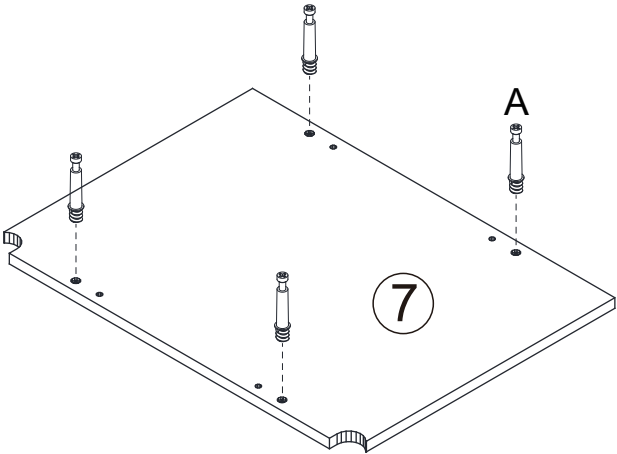
# Step 4



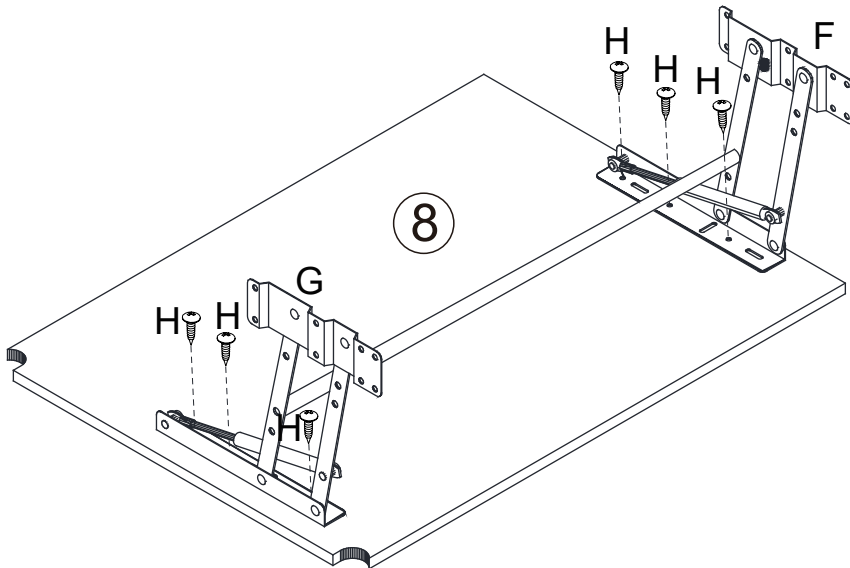
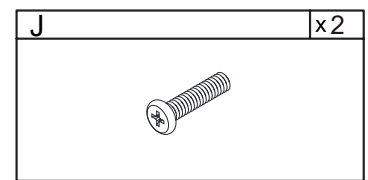
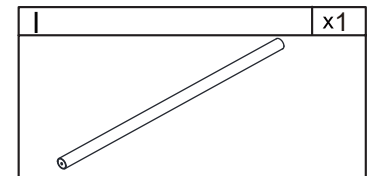
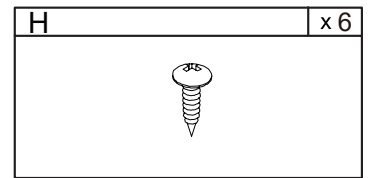
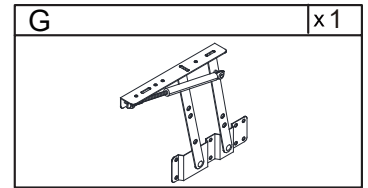
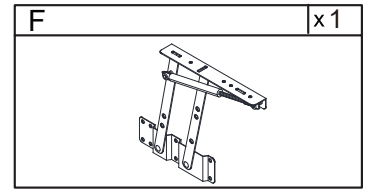
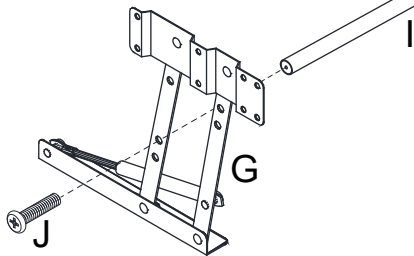
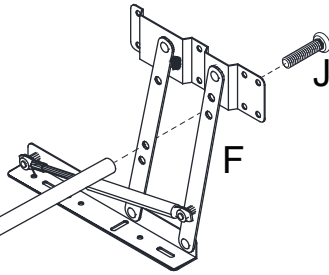
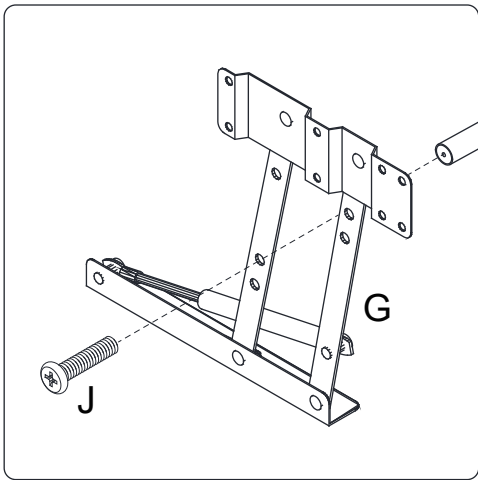
# Step 5



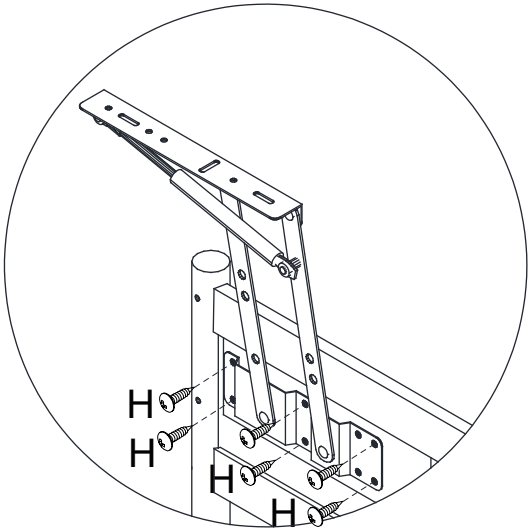
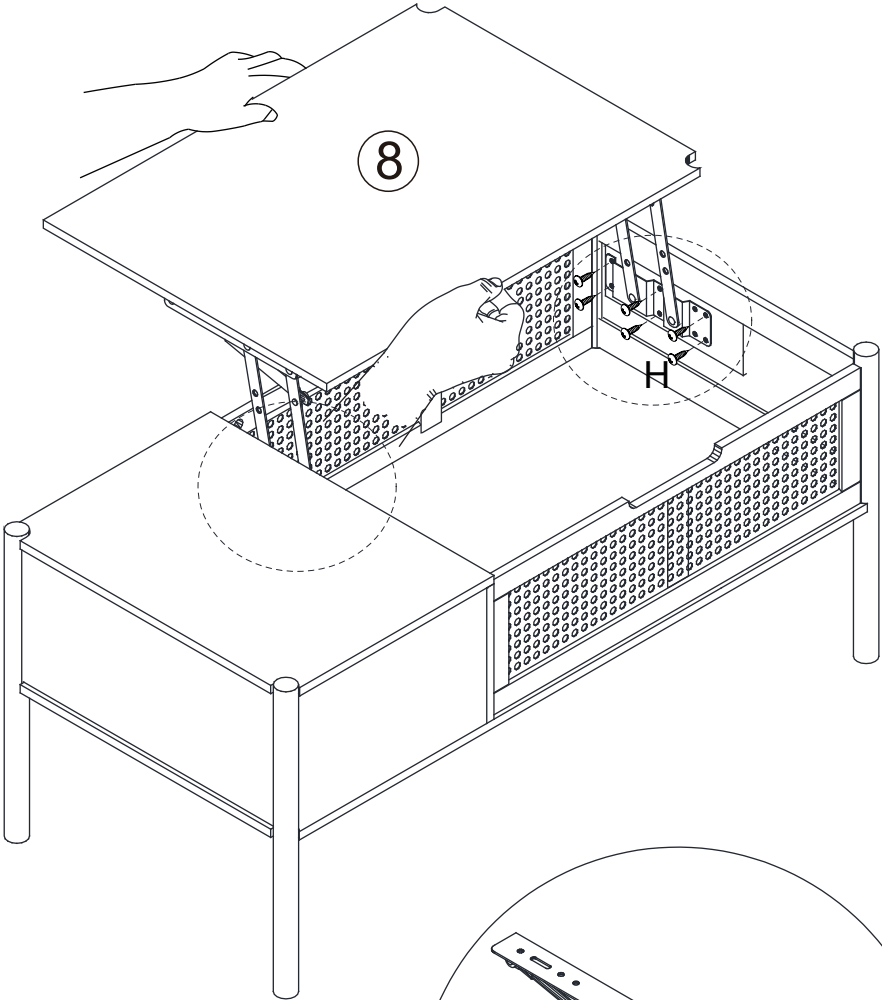
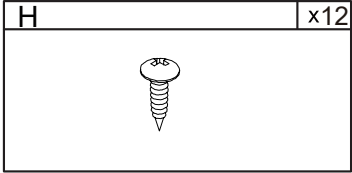
# Step 6



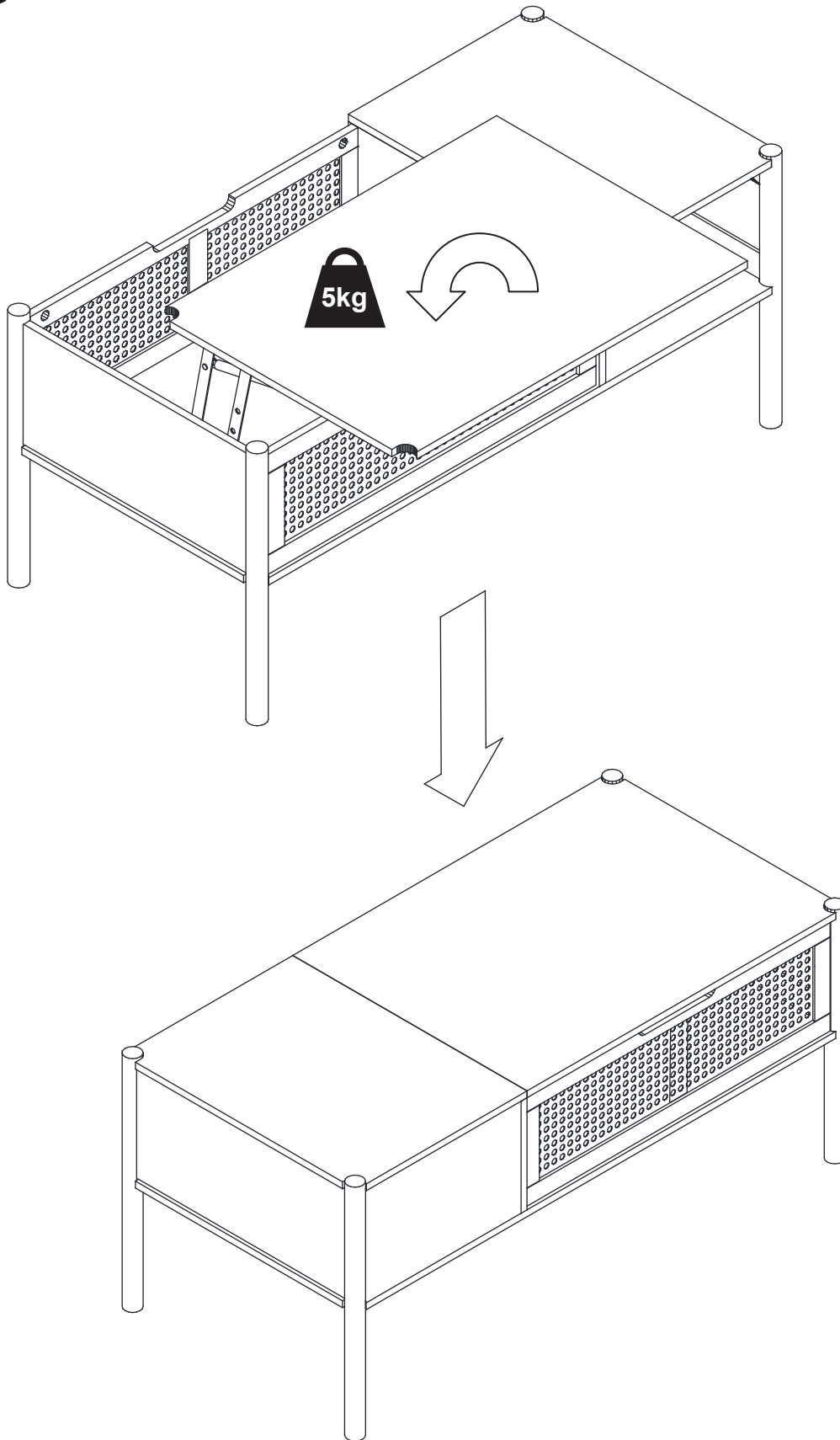
# Step 7



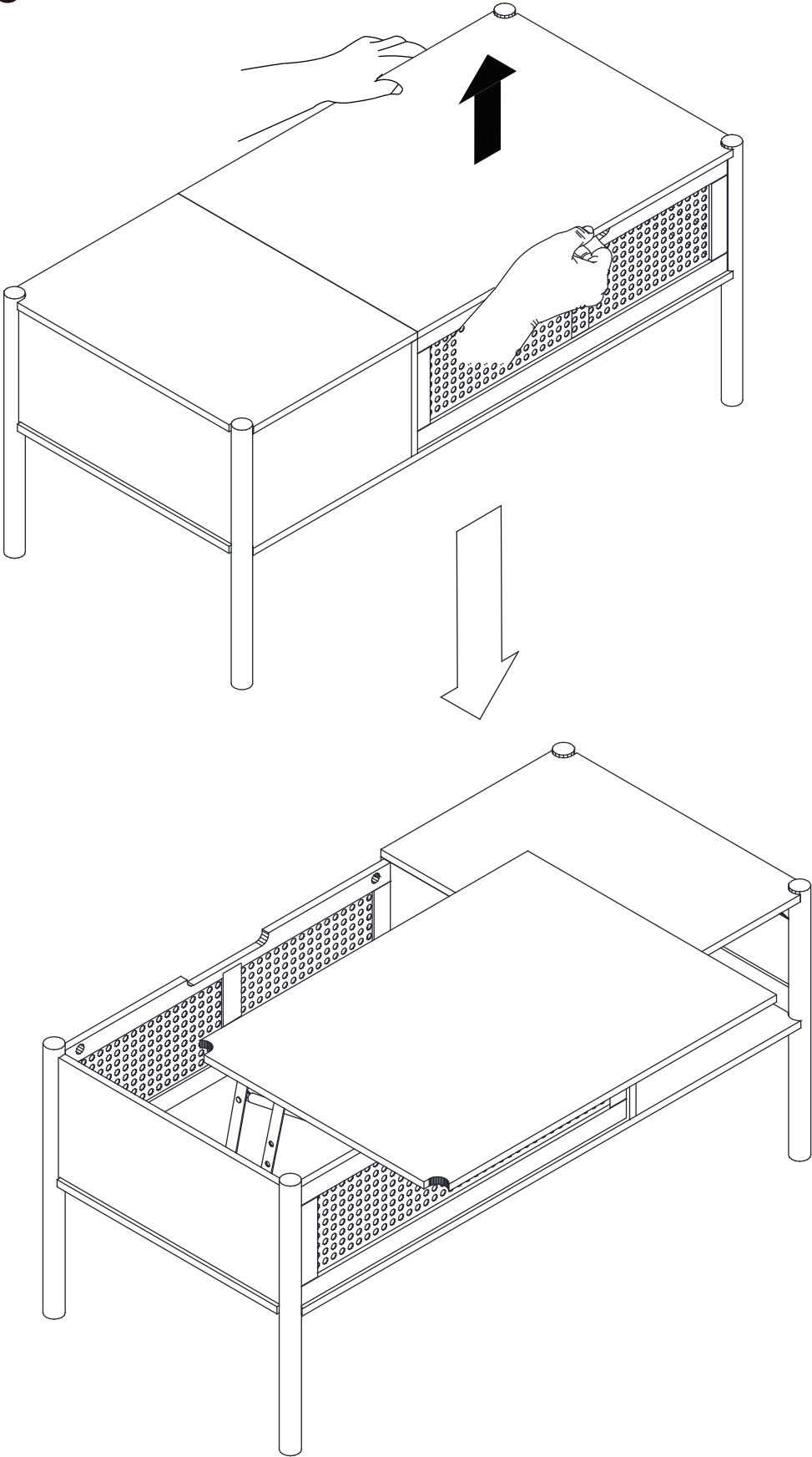
# Step 8



# Step 9



# Step 10



# Proper Use

- DO NOT use for commercial purposes
- DO NOT use as a step stool or stand on table
- DO NOT put hot serving liquid directly on the table top
- DO NOT leave spilled liquid on the table top
- DO NOT use table if damaged
- DO NOT exceed weight limit
- DO NOT make temporary repairs
- DO NOT use outdoor