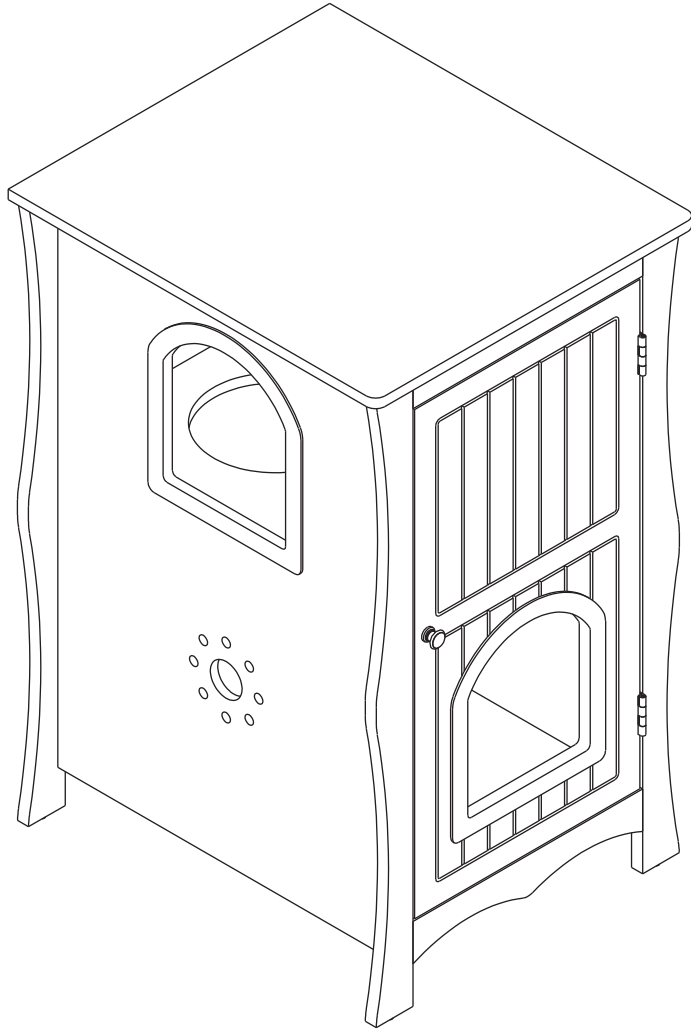


Installation Instruction



product Name

W68867026

Assembling

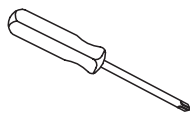
Estimated time for assembly



40:00

What you need

- Use the packaging carton as a working surface to prevent product damage during assembly
- Phillips head screwdriver



Weight Limitation



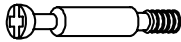
60 | **40**
lbs table top | lbs per shelf

What's included

Code	Description	Qty
1	Cam Bolt M6X35MM	32
2	Cam Lock 15X12MM	32
3	Wooden Dowel M8×30MM	31
4	Door Catch Male	1
5	Door Catch Female	1
6	Screw M 3×14 MM	12
7	Door Hinge	2
8	Handle	1
9	Bolt M4×18MM	1
10	Screw M3×12MM	16
11	Pad	4

The Hardwares

1



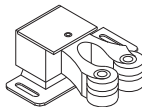
2



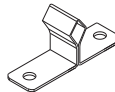
3



4



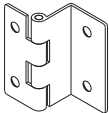
5



6



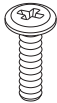
7



8



9



10



11



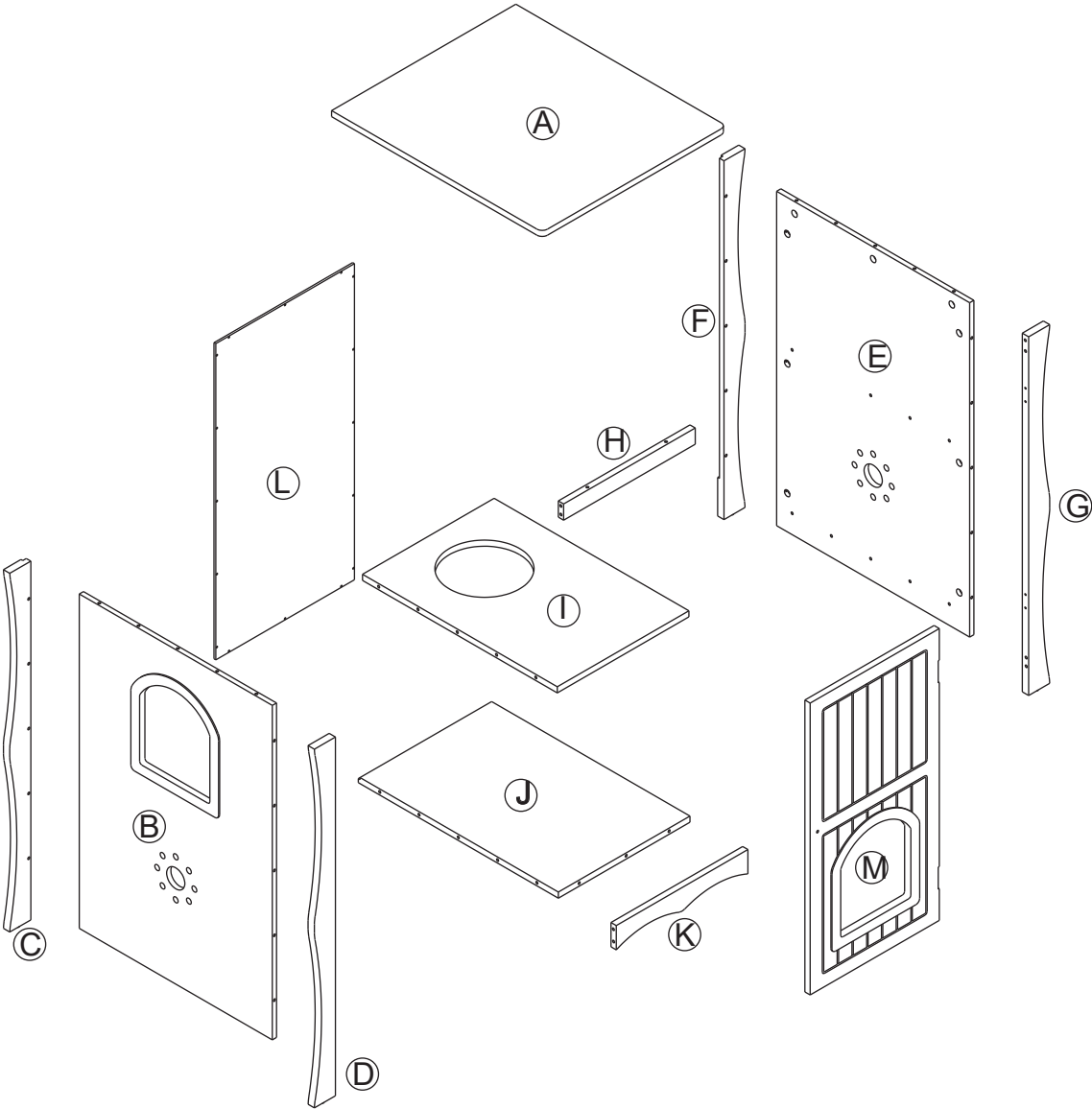
IMPORTANT:

- 1. Do not tighten bolts / screws completely until all bolts / screws are lined up and inserted into holes.
- 2. Do not over tighten screws and bolts to avoid stripping.
- 3. Please use hand tools to assemble this product. Do not use power tools.

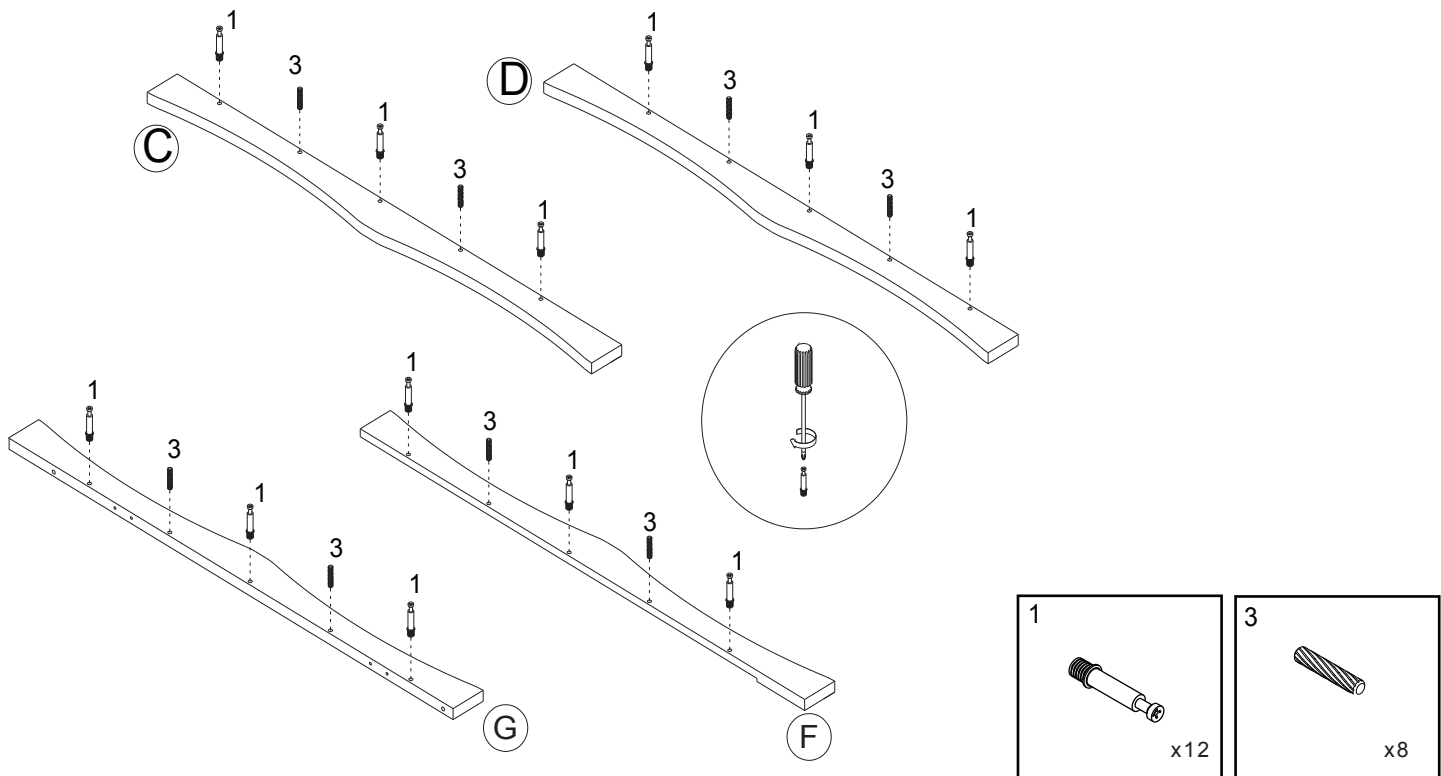
Included Accessories

Code	Description	Qty
A	Cabinet Top	1
B	Left Side Panel	1
C	Left Back Decorative Panel	1
D	Left Front Decorative Panel	1
E	Right Side Panel	1
F	Right Back Decorative Panel	1
G	Right Front Decorative Panel	1
H	Top Stretcher	1
I	Shelf	1
J	Bottom Panel	1
K	Bottom Front Decorative Panel	1
L	Back Panel	1
M	Door	1

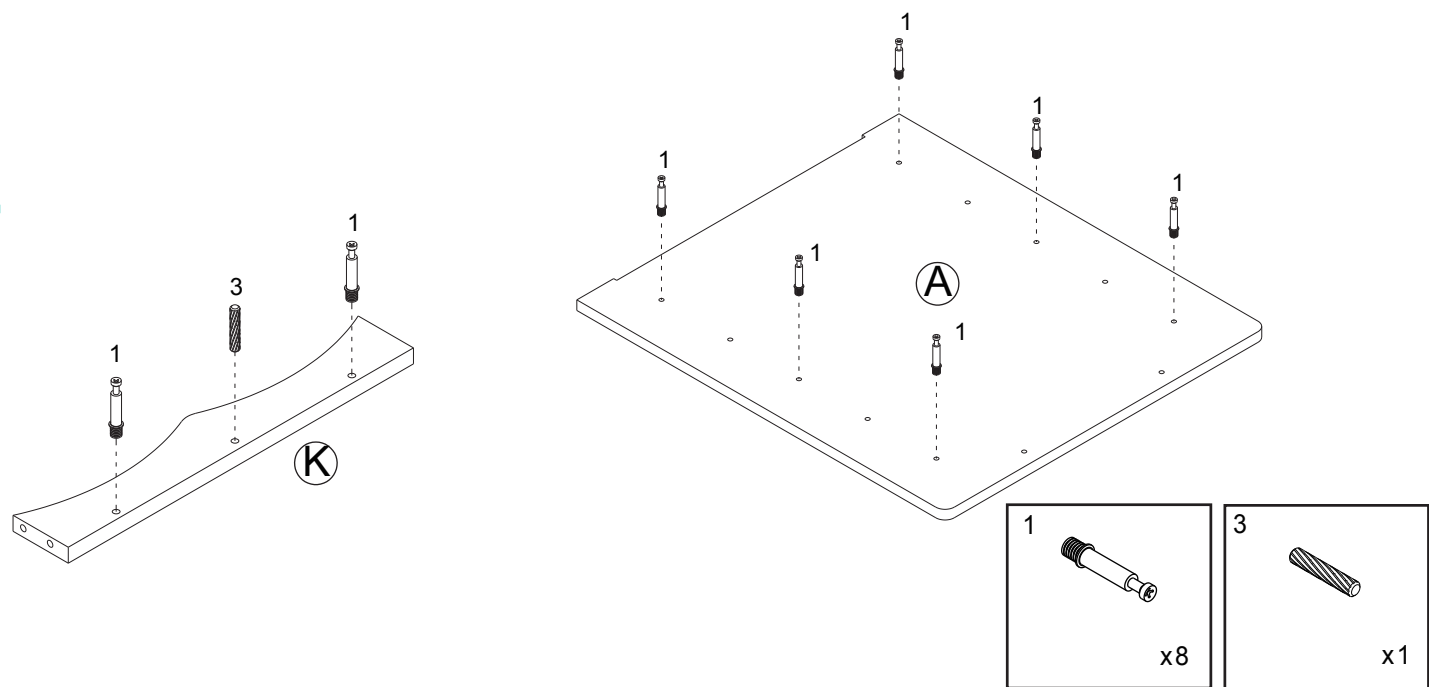
The Accessories



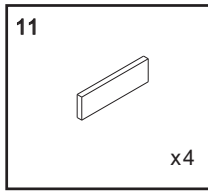
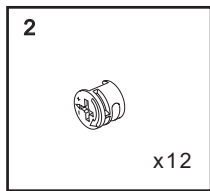
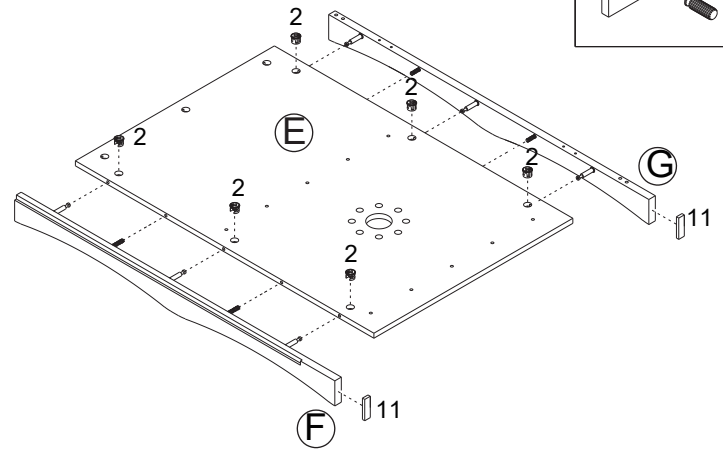
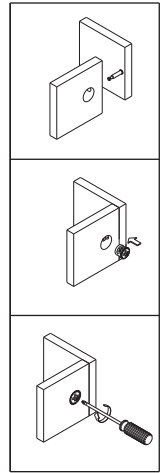
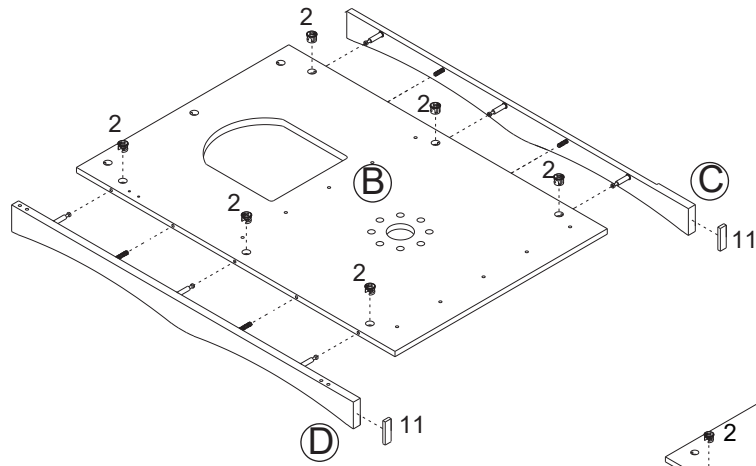
Step 1



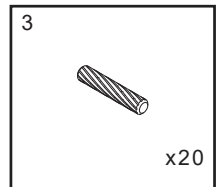
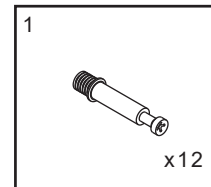
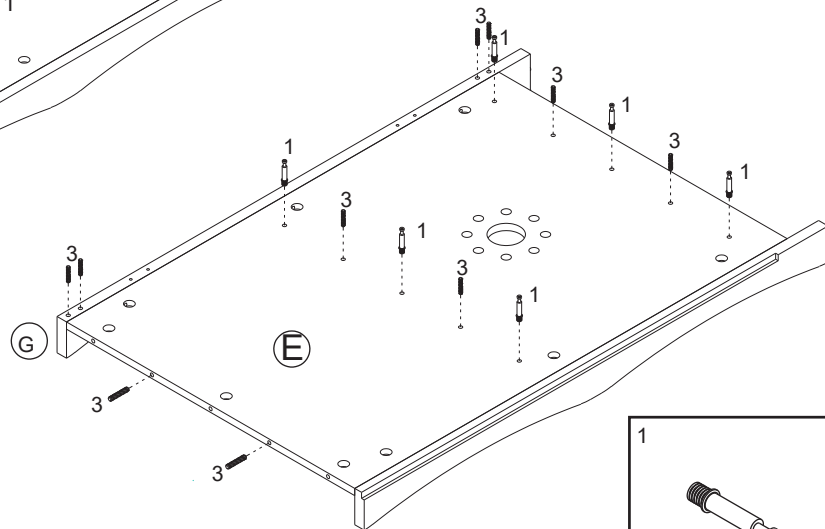
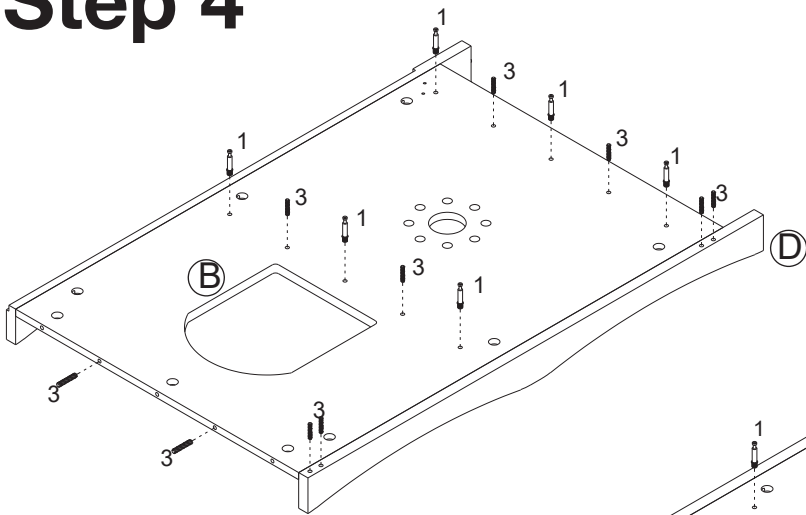
Step 2



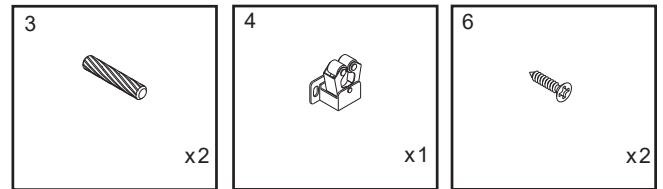
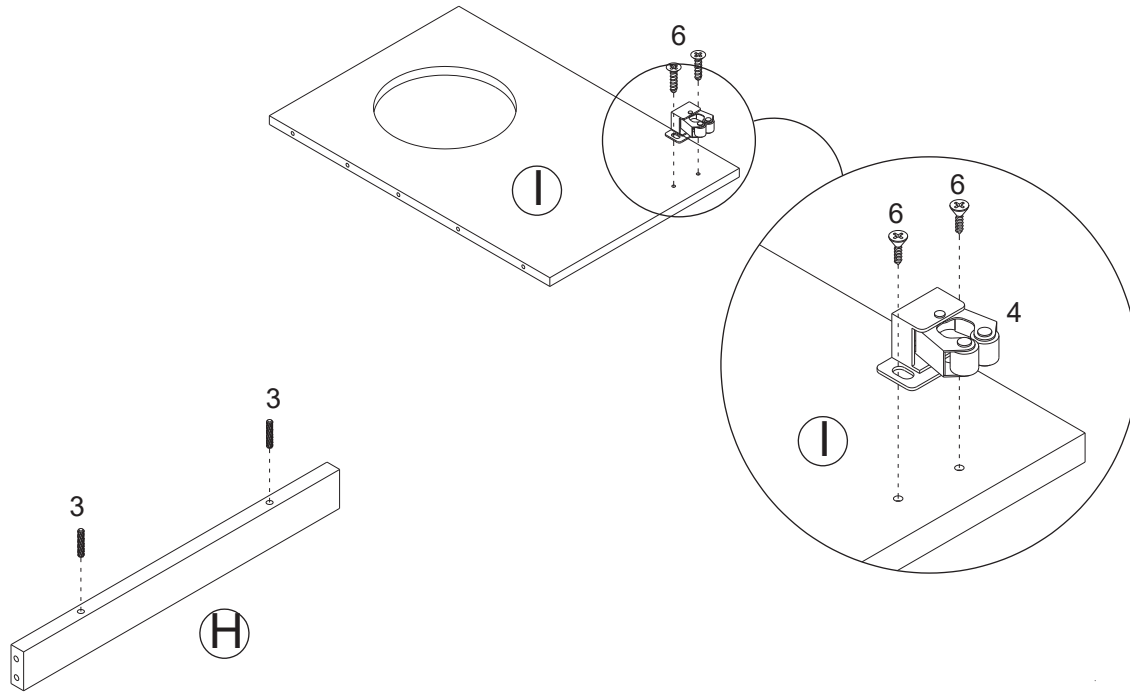
Step 3



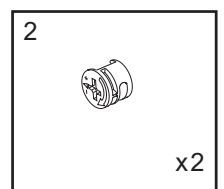
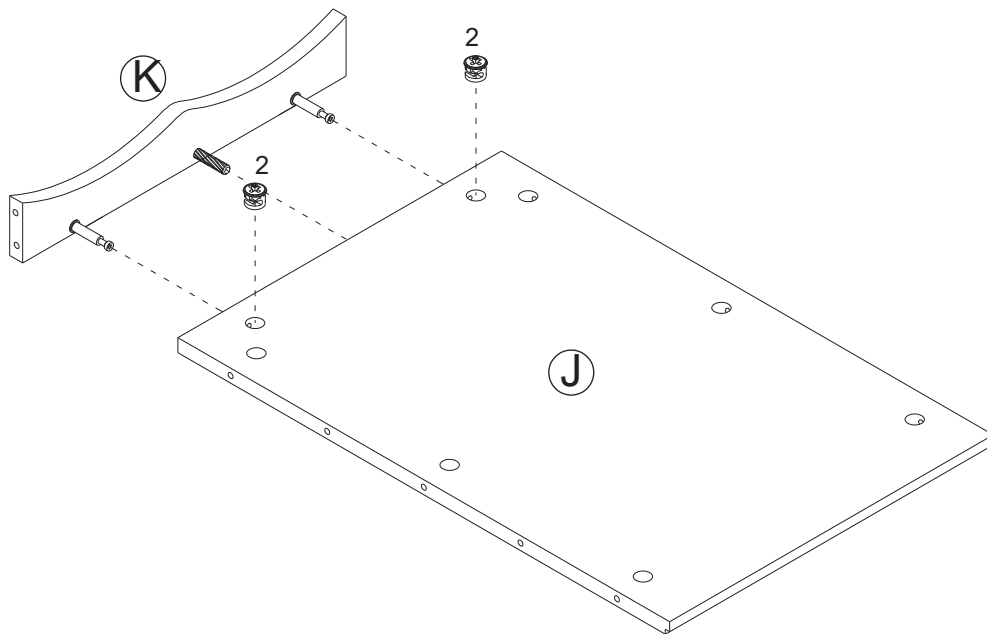
Step 4



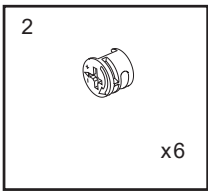
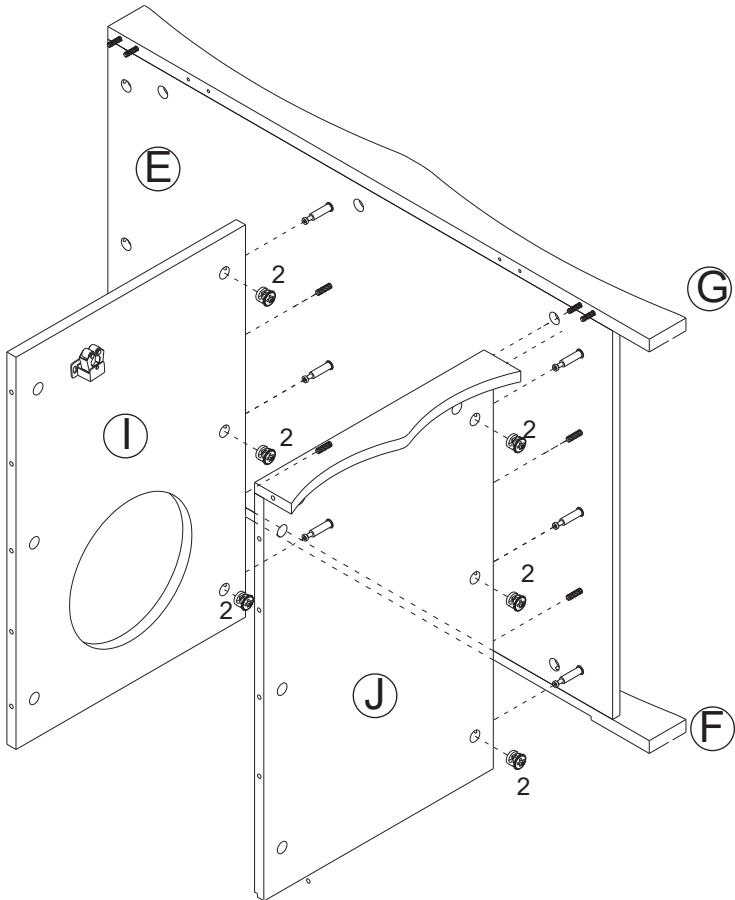
Step 5



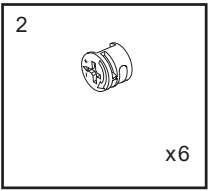
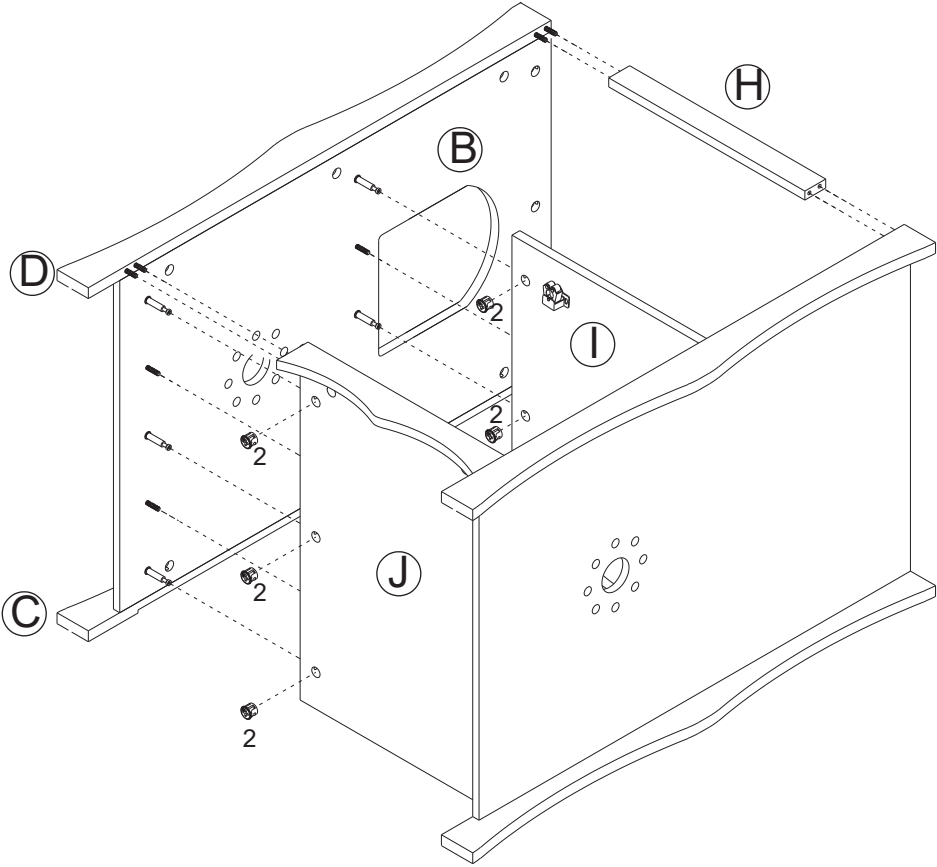
Step 6



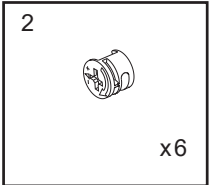
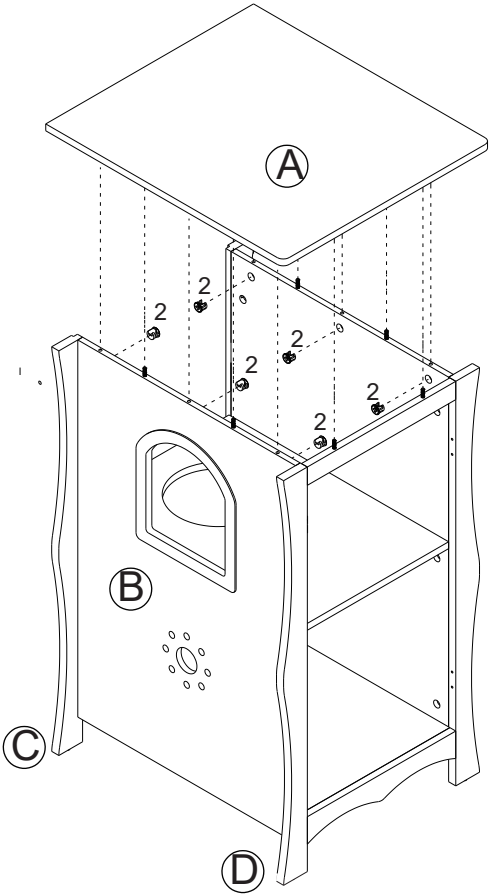
Step 7



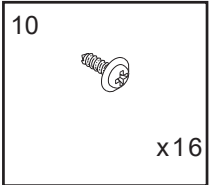
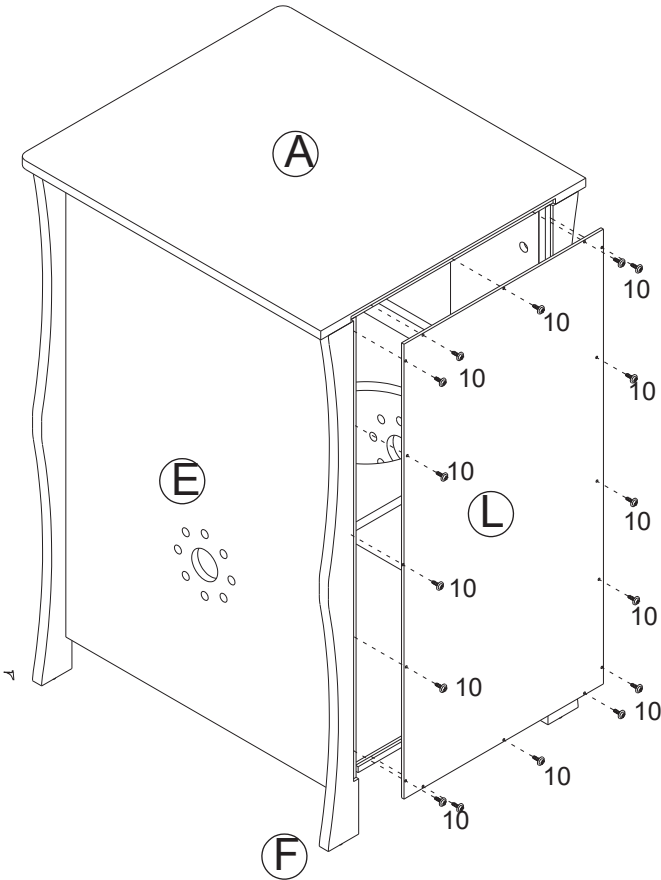
Step 8



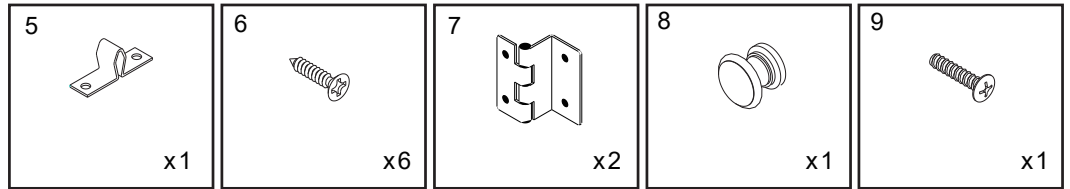
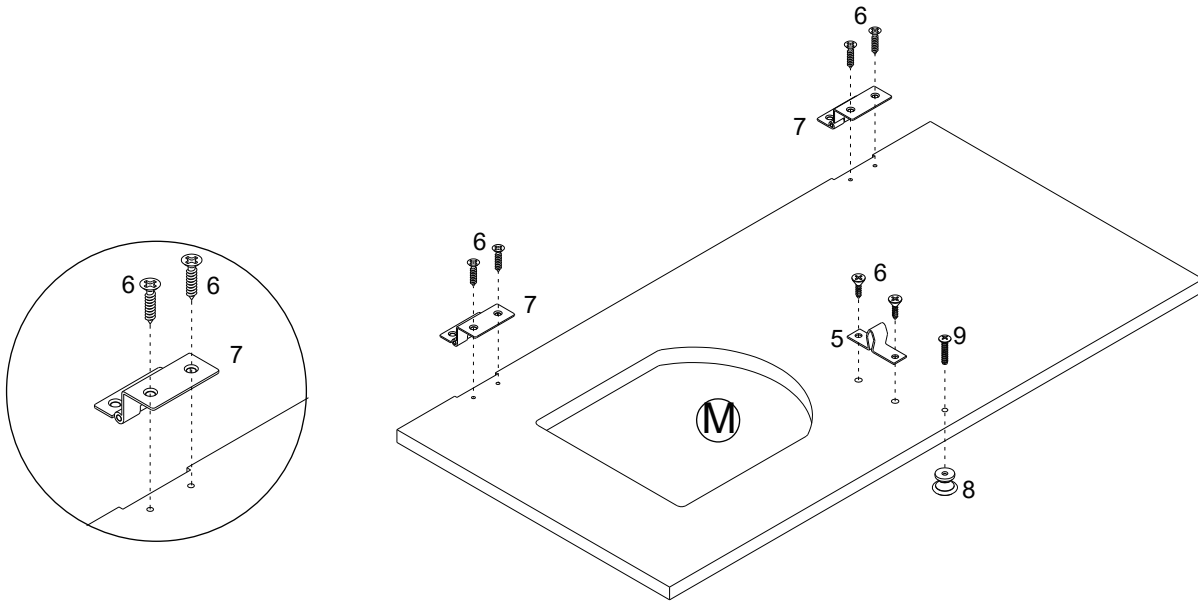
Step 9



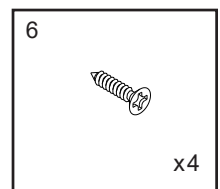
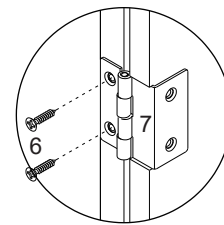
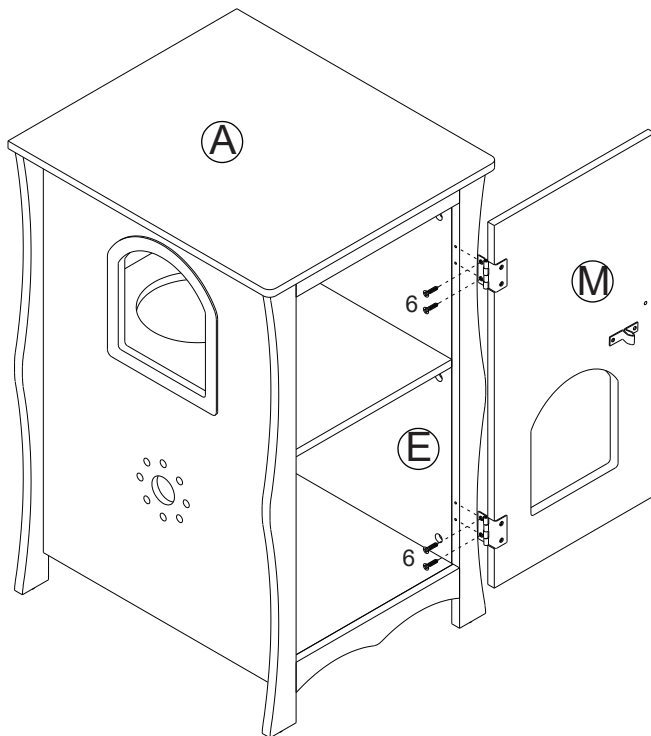
Step 10



Step 11



Step 12



Proper Use

- DO NOT use for commercial purposes
- DO NOT use as a step stool or stand on table
- DO NOT put hot serving liquid directly on the table top
- DO NOT leave spilled liquid on the table top
- DO NOT use table if damaged
- DO NOT exceed weight limit
- DO NOT make temporary repairs
- DO NOT use outdoor