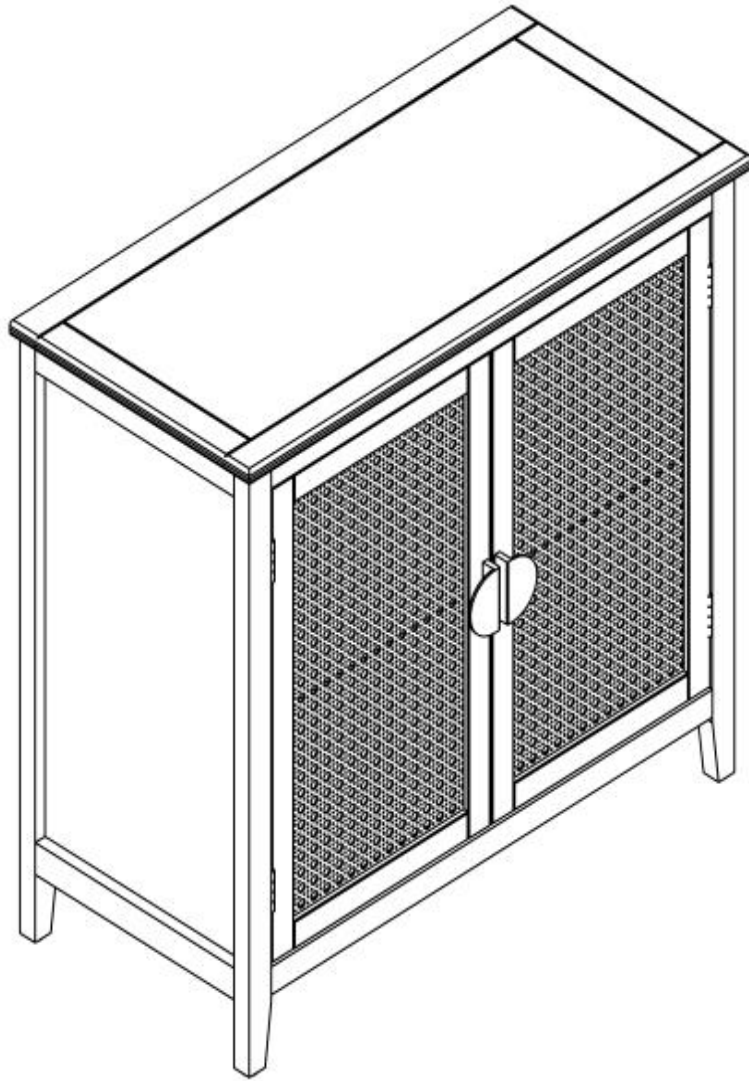


# Installation Instruction



---

**W68858069**

## Assembling

---

Estimated time for assembly



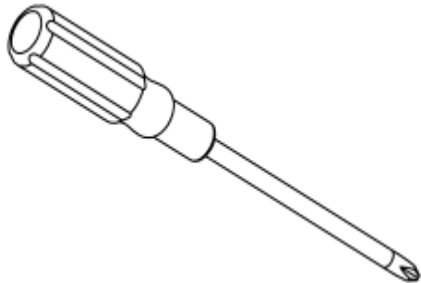
**25 : 00**

---

### What you need

.Use the packaging carton as a working surface to prevent product damage during assembly

.Phillips head screwdriver



### Weight Limitation



**55**

lbs table top

**11**

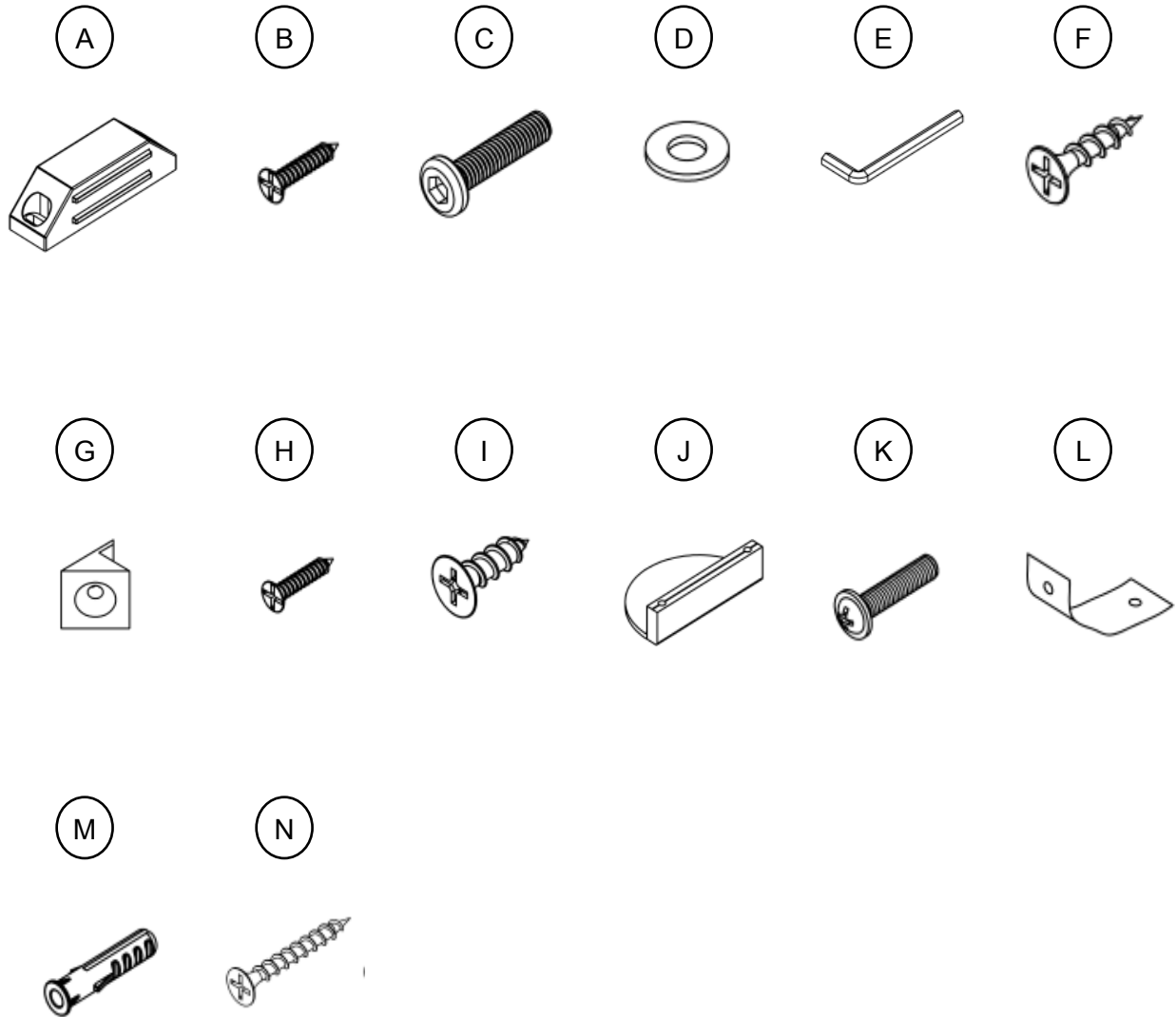
lbs per shelf

## What's included

---

Code	Description	Qty
A	Magnetic Door Catcher	1
B	Screw $\Phi$ 3x16mm	2
C	Bolt M6x35mm	12
D	Metal Washer	12
E	Allen Key	1
F	Screw $\Phi$ 4x16mm	4
G	Plastic corner support	8
H	Screw $\Phi$ 2.5x16mm	8
I	Screw $\Phi$ 4x14mm	12
J	Handle	2
K	Bolt M4x18mm	4
L	Nylon strap	2
M	Anchor	2
N	Screw $\Phi$ 4x35mm	2

## The Hardware



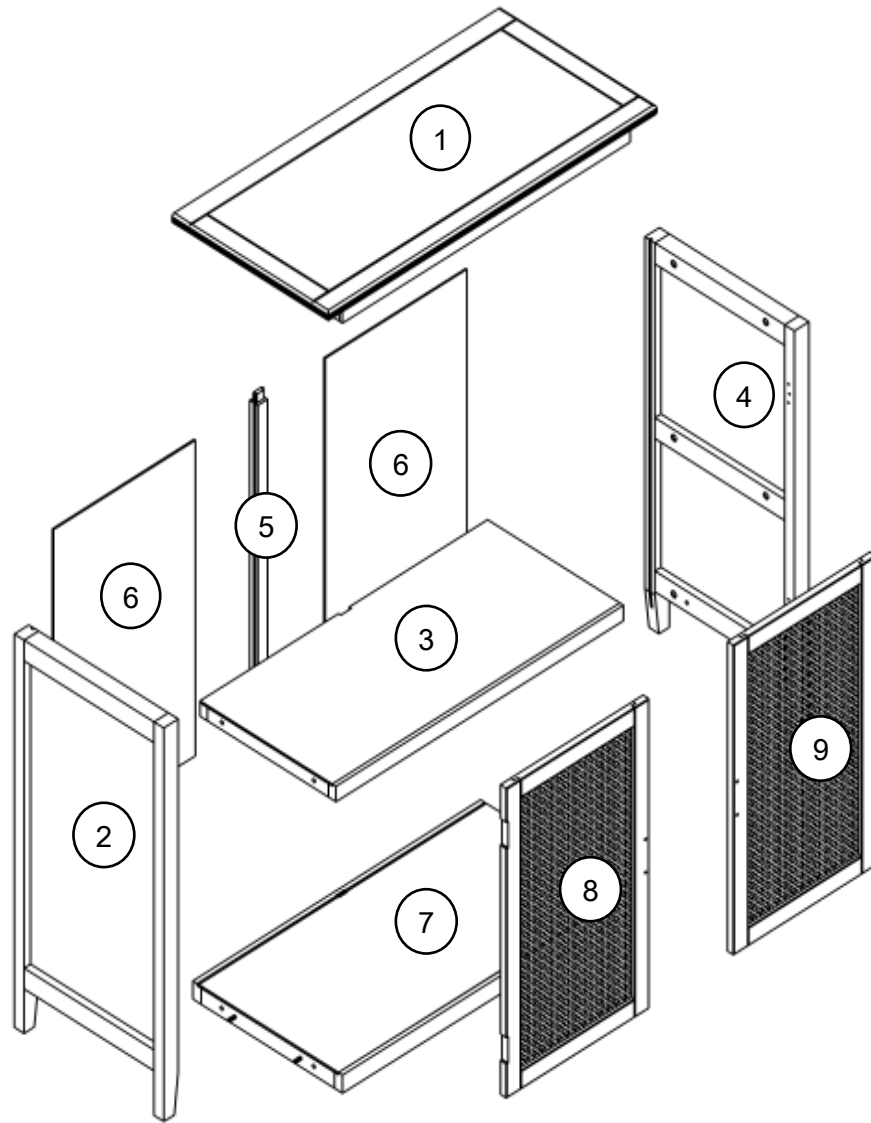
### IMPORTANT:

1. Do not tighten bolts / screws completely until all bolts / screws are lined up and inserted into holes.
2. Do not over tighten screws and bolts to avoid stripping.
3. Please use hand tools to assemble this product. Do not use power tools.

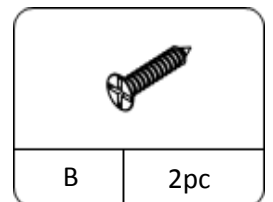
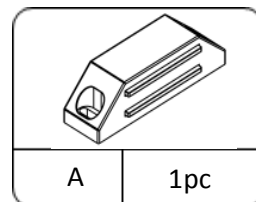
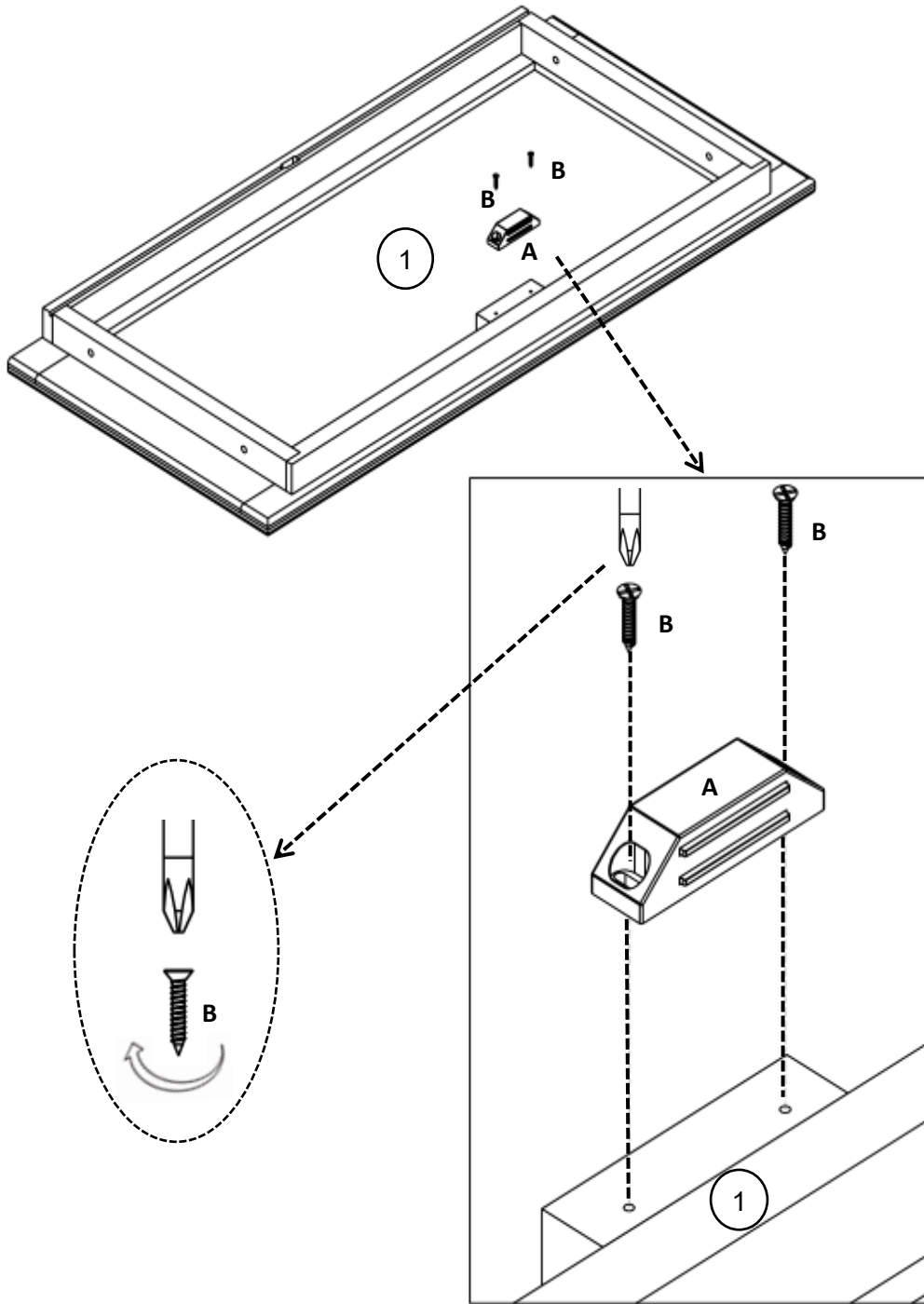
## Included Accessories

Code	Description	Qty
1	Cabinet Top	1
2	Left Side Panel	1
3	Shelf	1
4	Right Side Panel	1
5	Back Support Panel	1
6	Back Panel	2
7	Bottom Panel	1
8	Left Door	1
9	Right Door	1

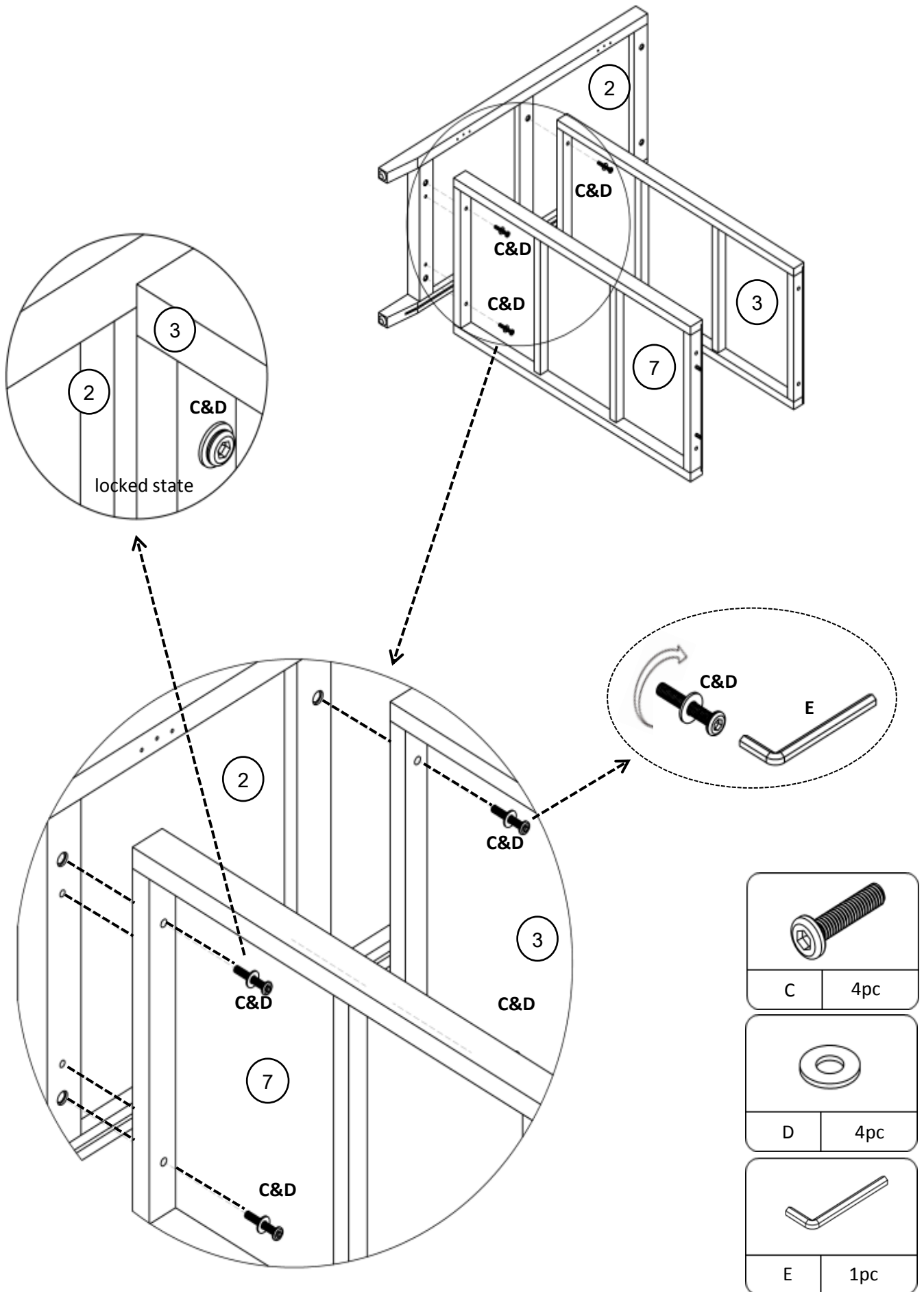
# The Accessoriess



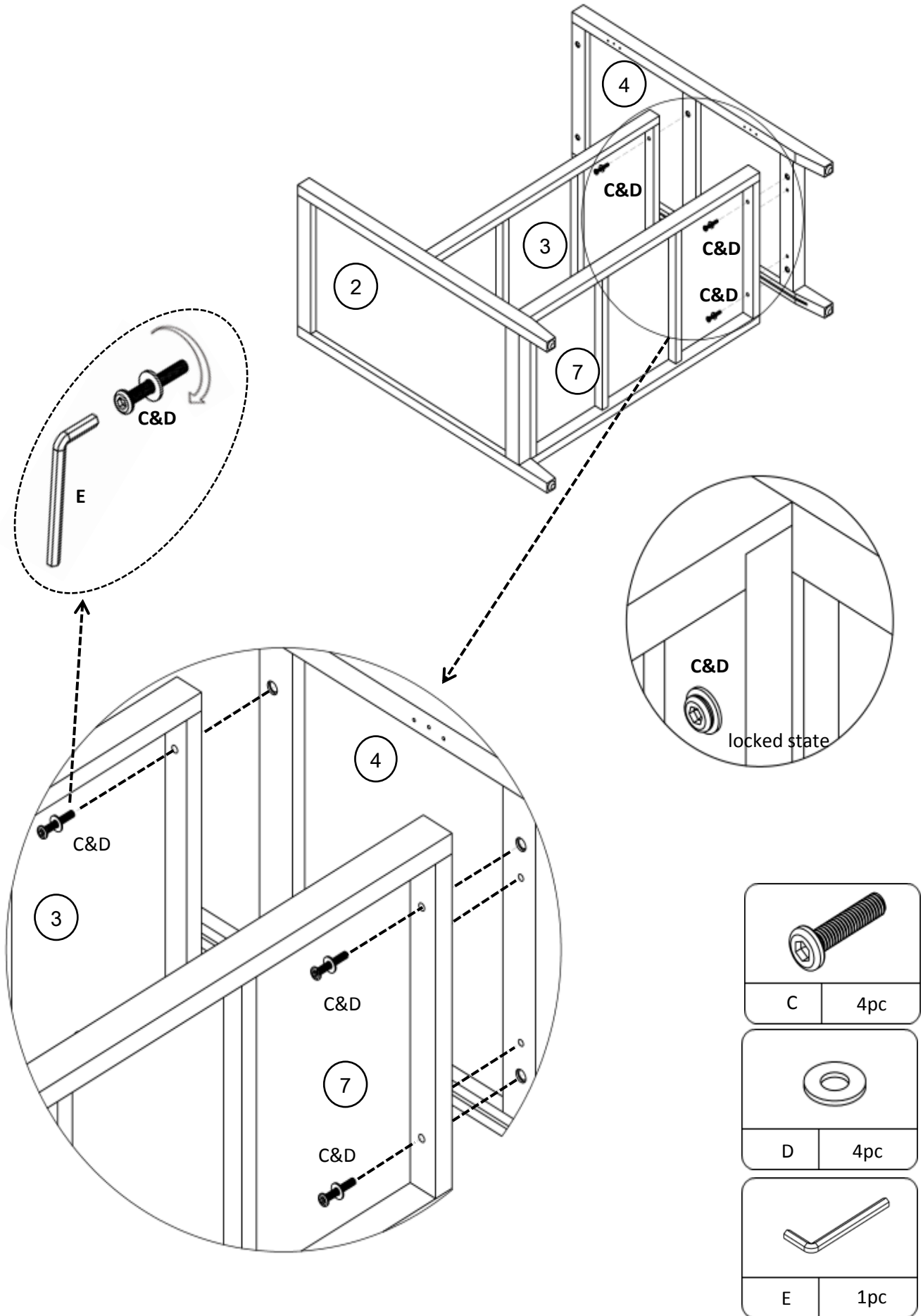
Step 1



# Step 2

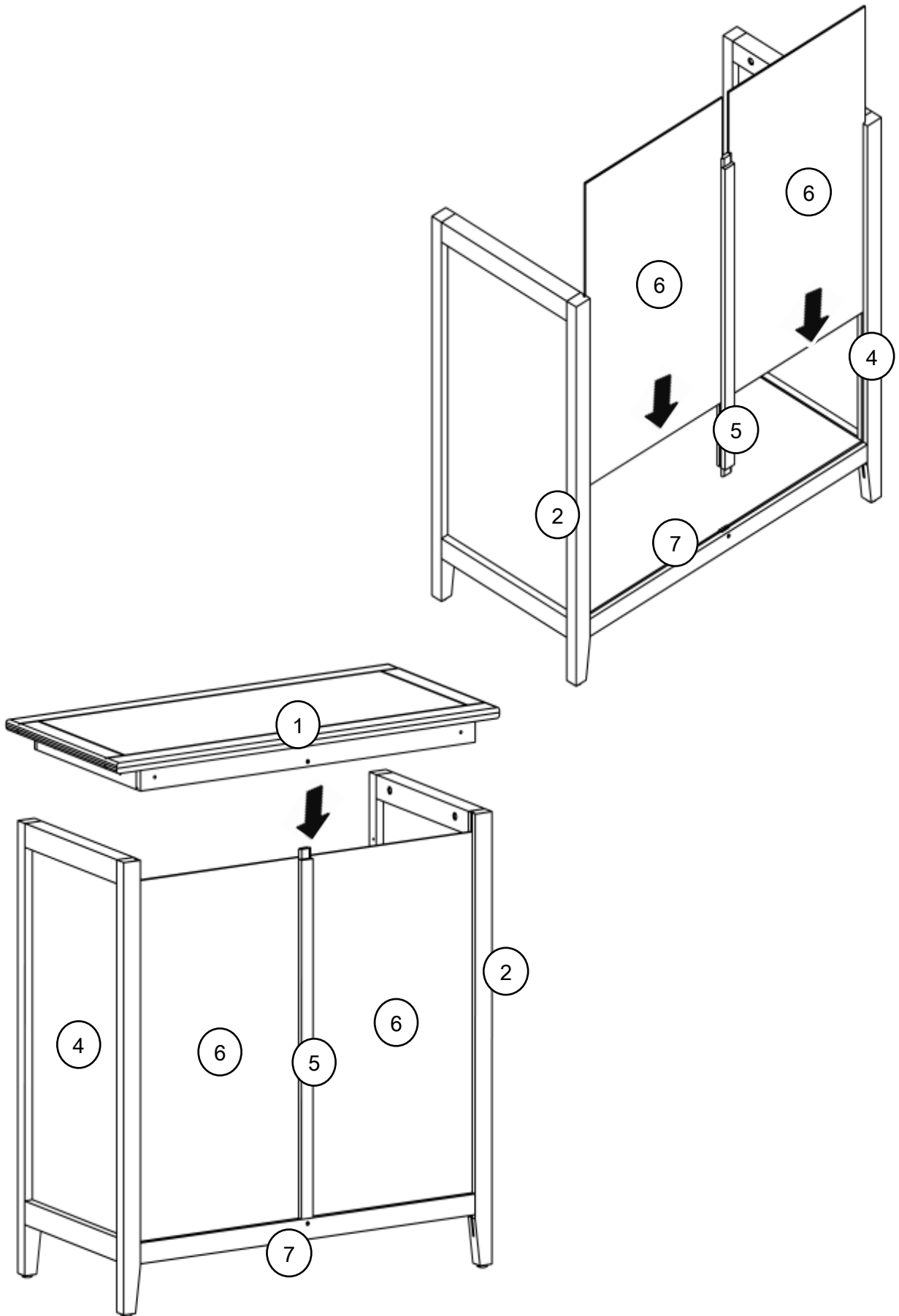


### Step 3

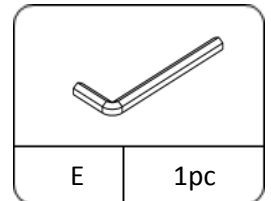
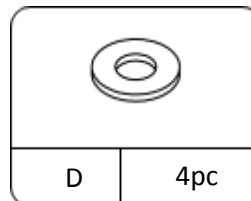
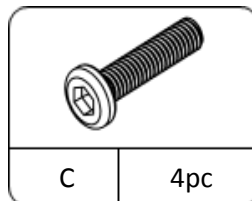
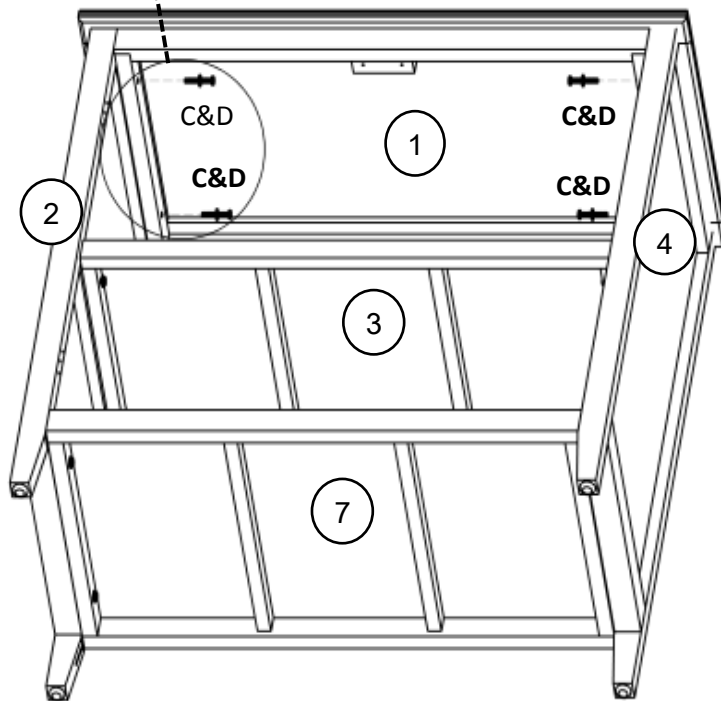
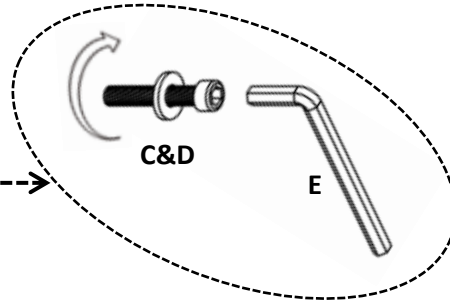
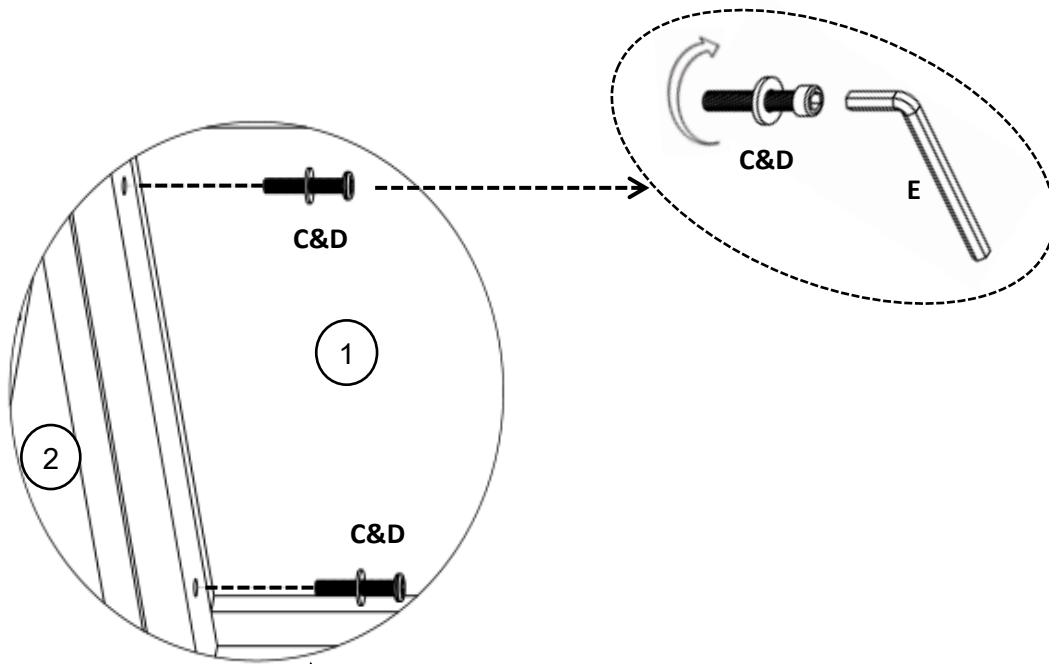




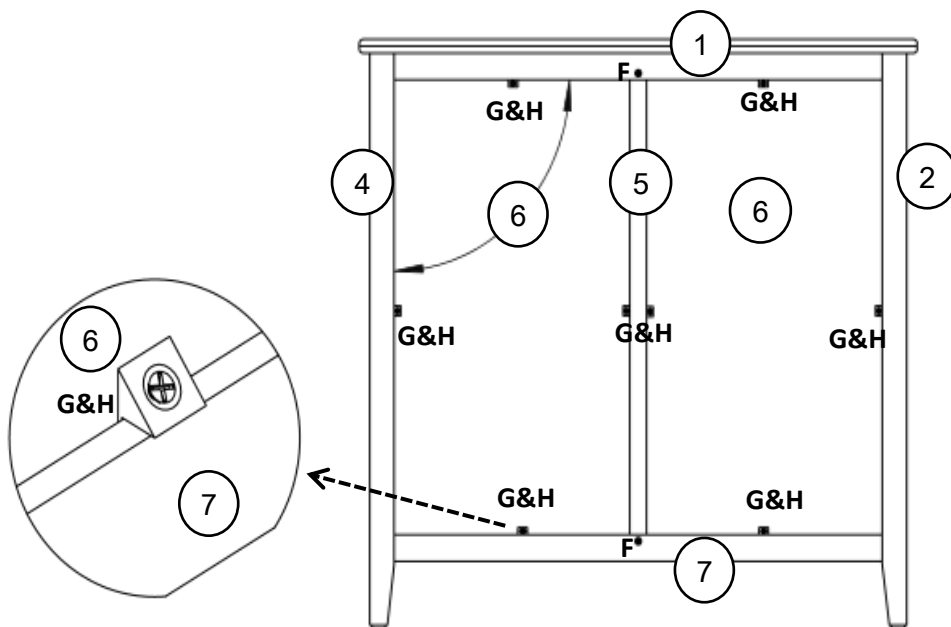
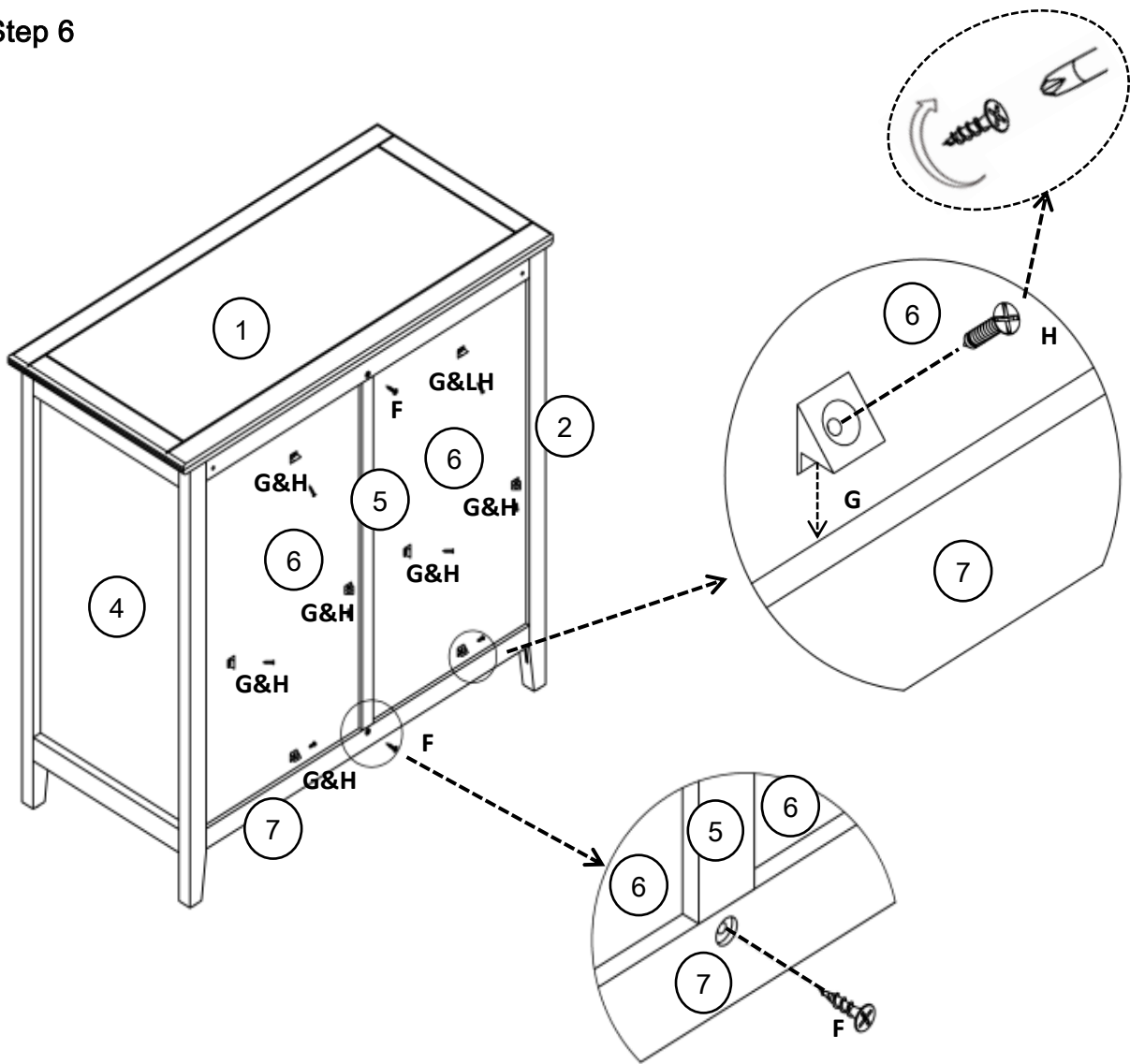
Step 4


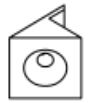



Step 5

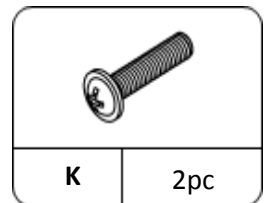
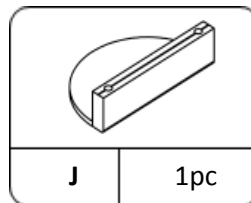
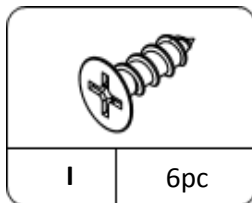
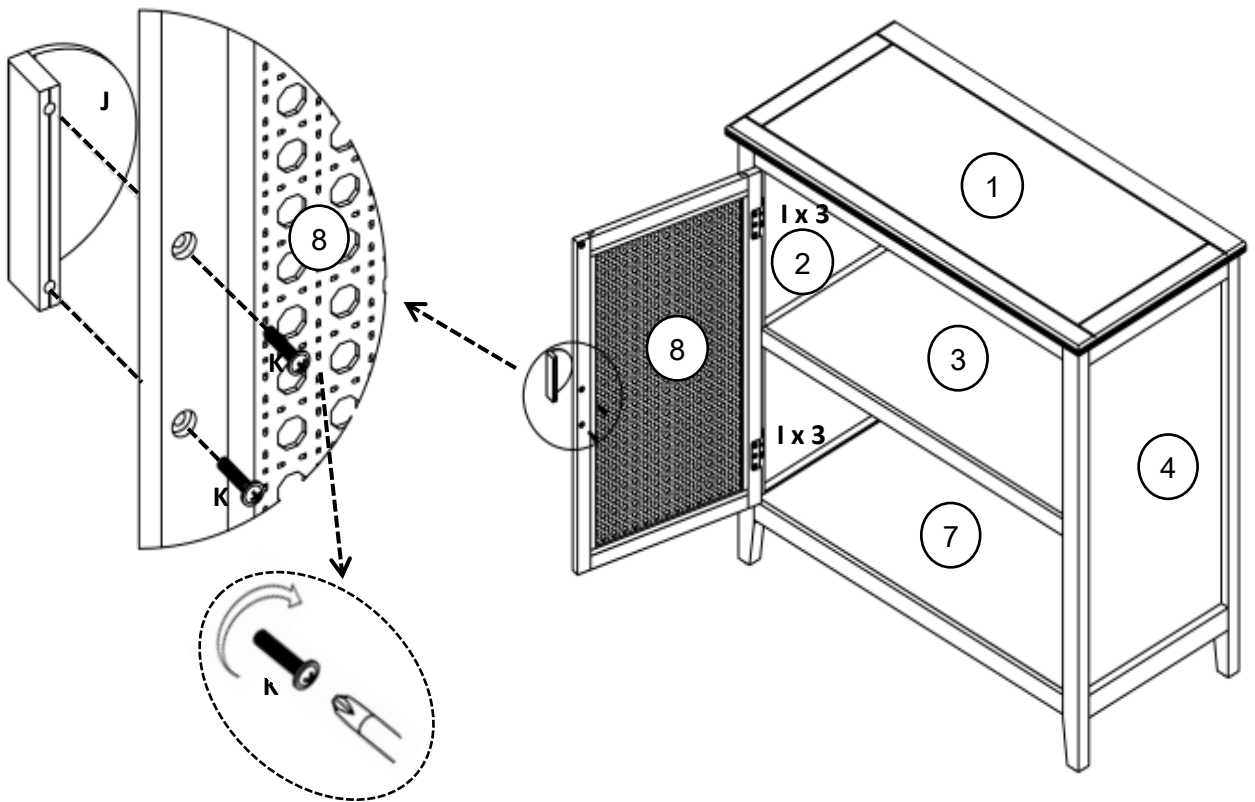
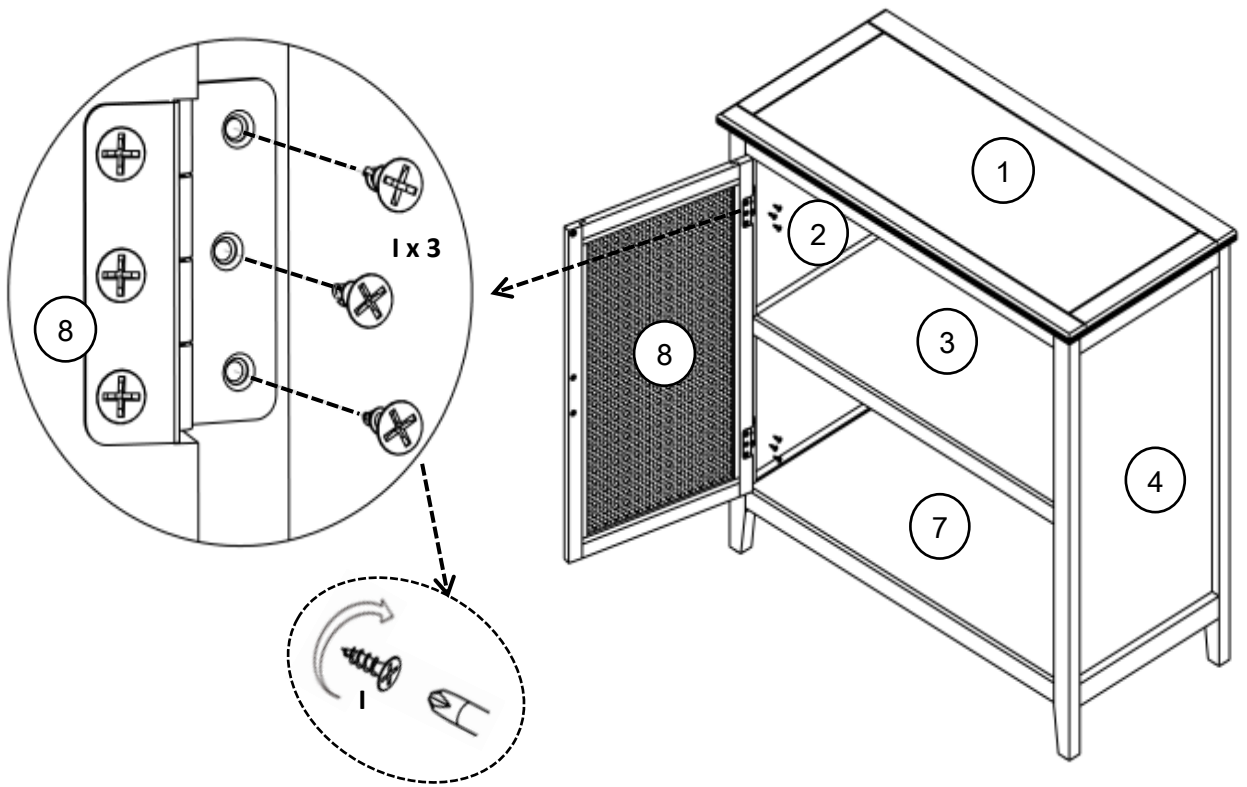


Step 6

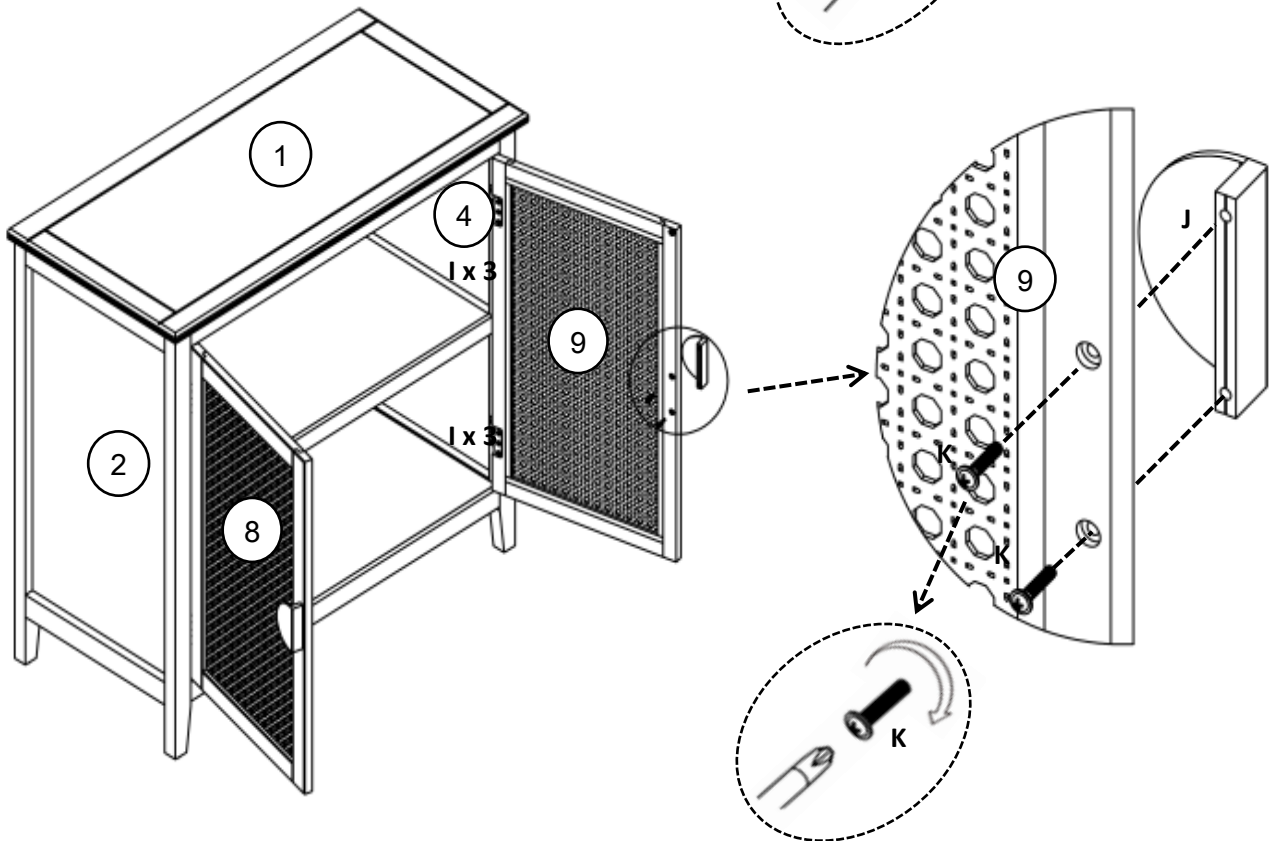
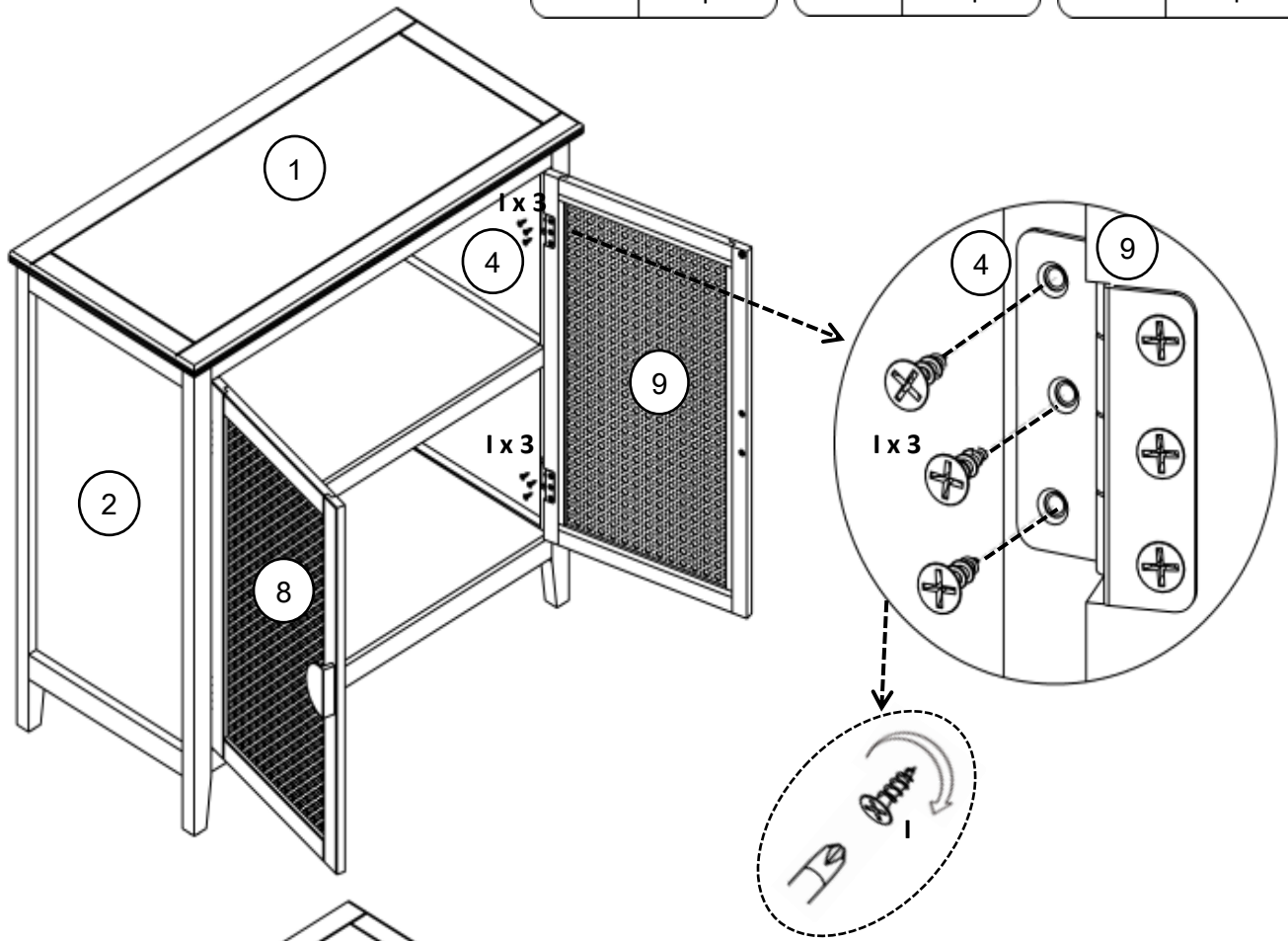
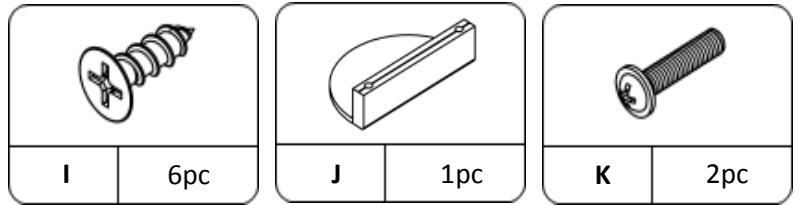


	F	2pc
	G	8pc
	H	8pc

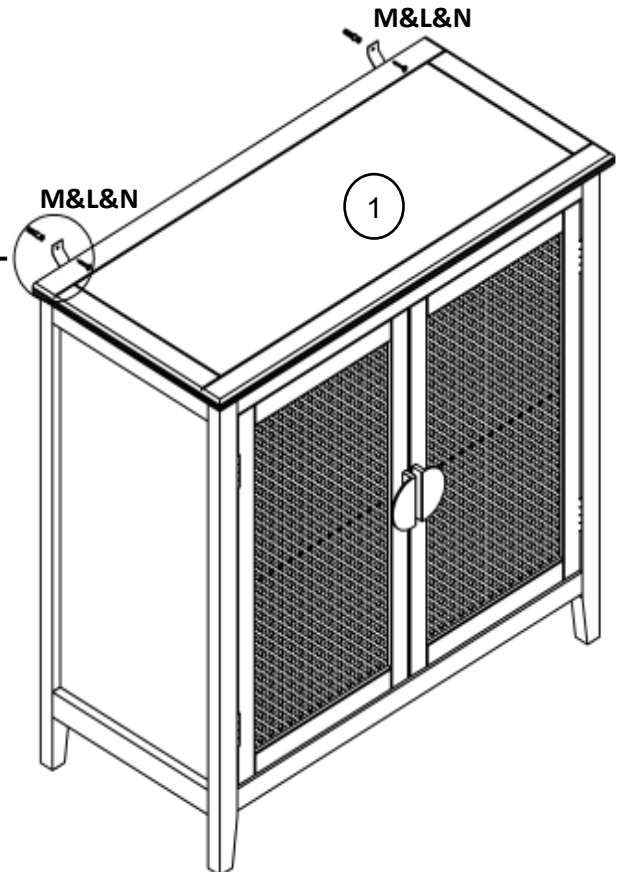
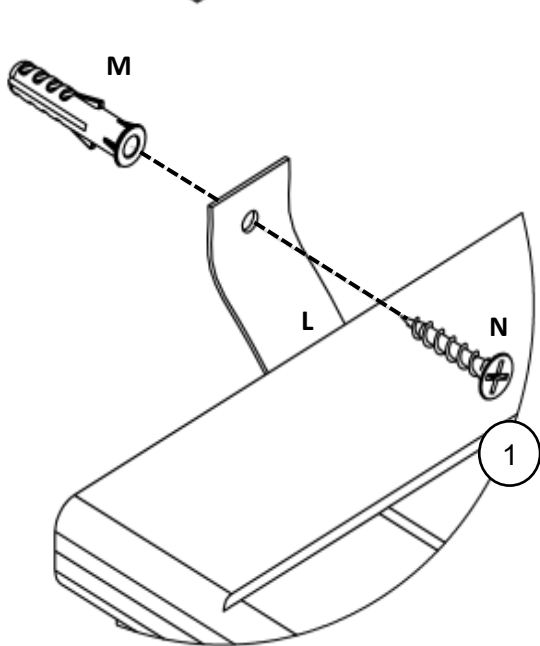
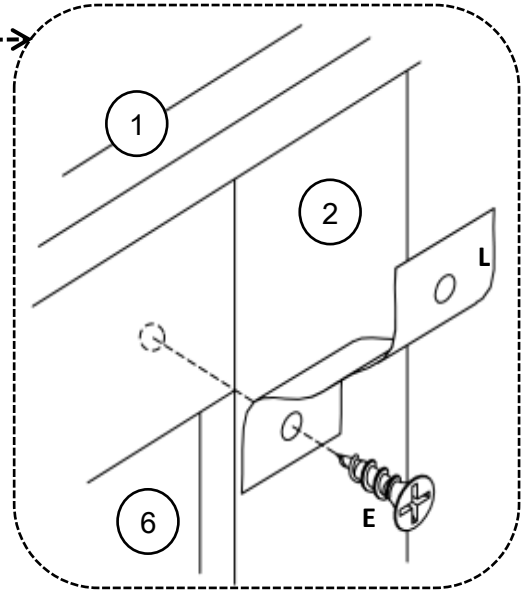
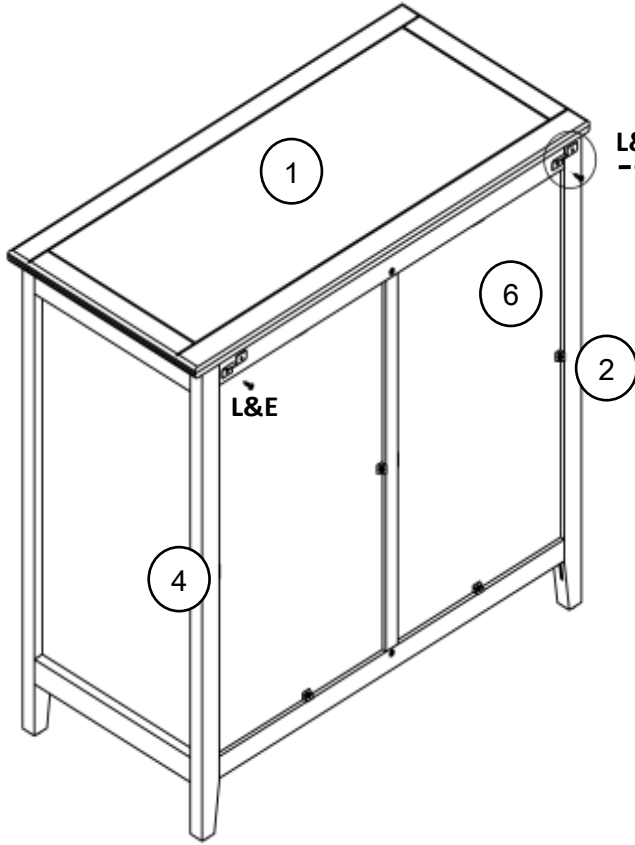
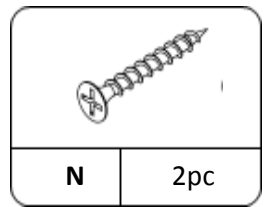
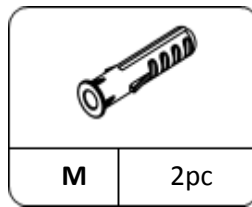
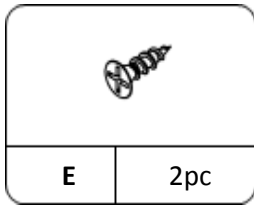
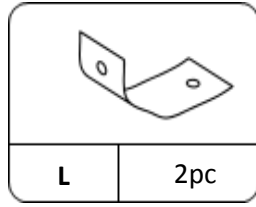
# Step 7



Step 8



Step 9



## Proper Use

- DO NOT use for commercial purposes
- DO NOT use as a step stool or stand on table
- DO NOT put hot serving liquid directly on the table top
- DO NOT leave spilled liquid on the table top
- DO NOT use table if damaged
- DO NOT exceed weight limit
- DO NOT make temporary repairs
- DO NOT use outdoor