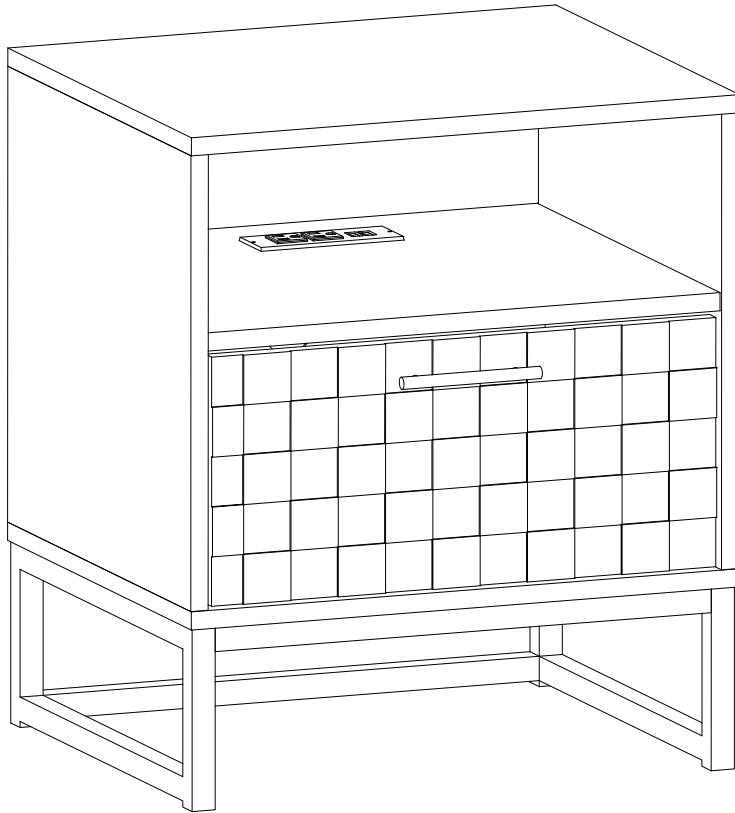


# Installation Instruction



---

W68856917

# Assembling

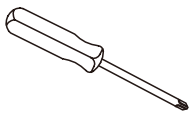
## Estimated time for assembly



**25 : 00**

## What you need

- Use the packaging carton as a working surface to prevent product damage during assembly
- Phillips head screwdriver



## Weight Limitation



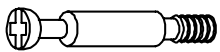
**44** | **22**  
lbs table top | lbs per shelf

# What's included

Code	Description	Qty
A	Cam Bolt M6X35MM	8
B	Cam Lock 15X10MM	8
C	Screw M4X35MM	4
D	Screw M3X14MM	8
E	Screw M3X10MM	2
F	Screw M4X35MM	2
G	Screw M4X14MM	6
H	Bolt M4X20MM	2
I	Handle	1
J	Bolt M6X30MM	8
K	Bolt M6X40MM	6
L	Wooden Dowel M6X30MM	12
M	Plastic corner support	4
N	Metal Plate	2
O	Magnetic Door Catcher	1
P	Metal Plate	1
Q	Anchor	2
R	Nylon Strap	2
S	Allen Key	1
T	Power Socket	1

# The Hardwares

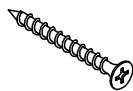
A



B



C



D



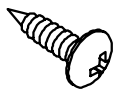
E



F



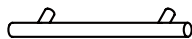
G



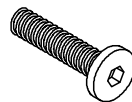
H



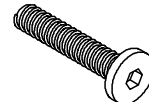
I



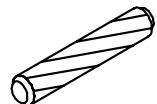
J



K



L



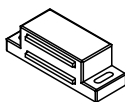
M



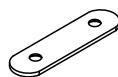
N



O



P



Q



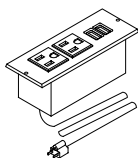
R



S



T



## IMPORTANT:

1. Do not tighten bolts / screws completely until all bolts / screws are lined up and inserted into holes.
2. Do not over tighten screws and bolts to avoid stripping.
3. Please use hand tools to assemble this product. Do not use power tools.

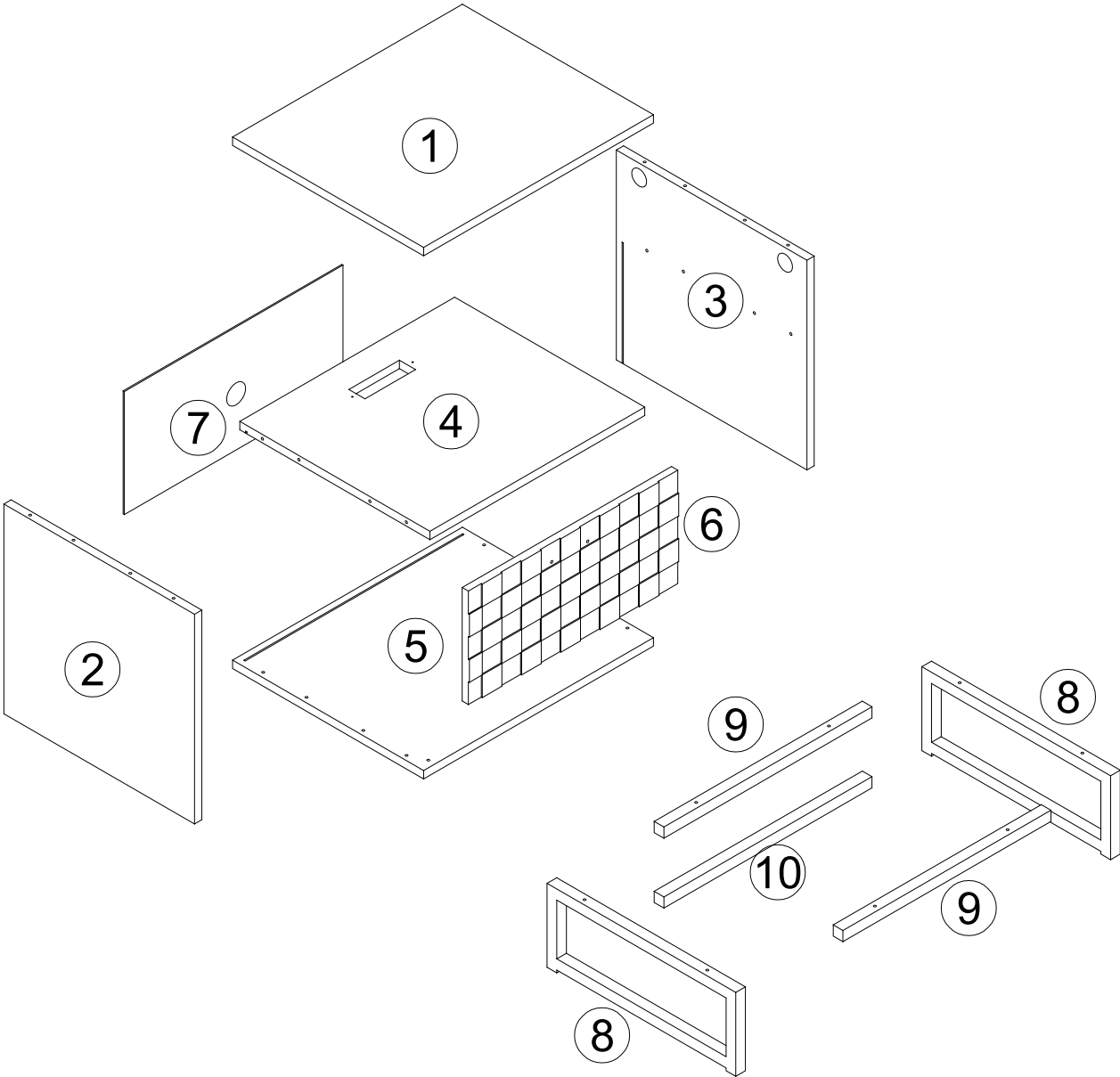
# Included Accessories

---

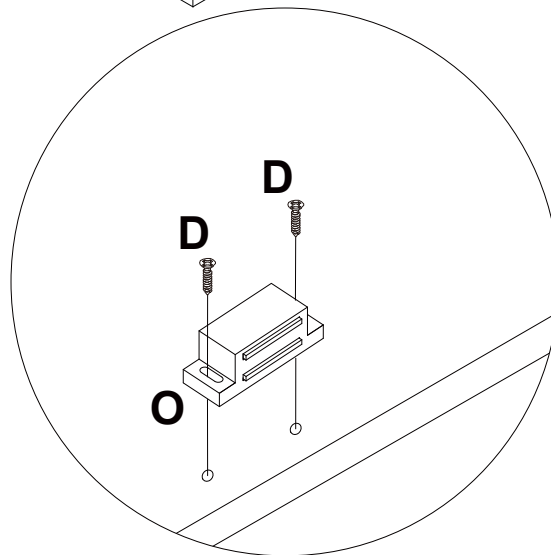
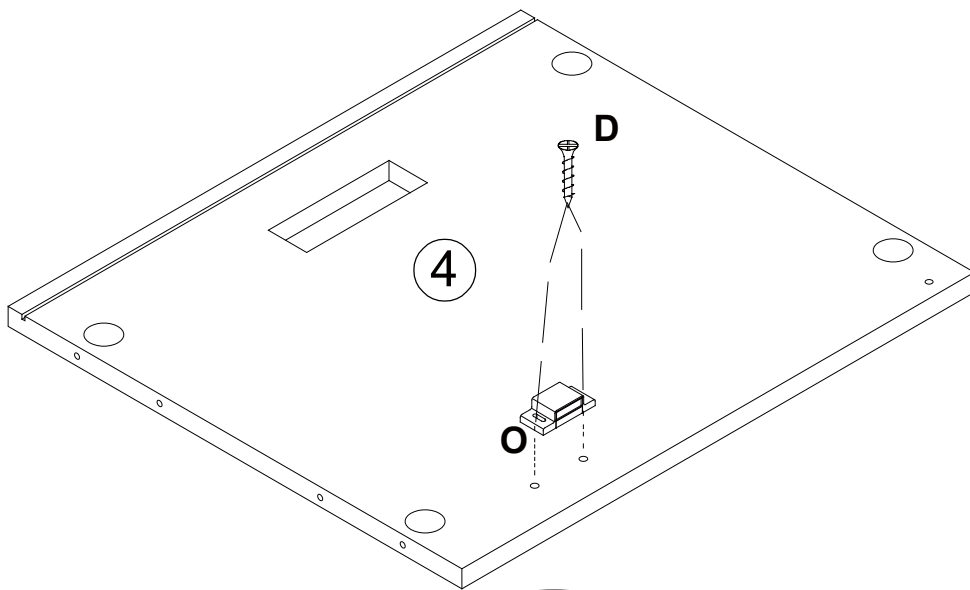
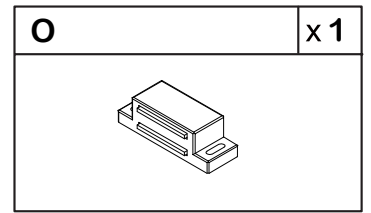
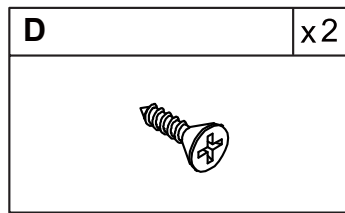
<b>Code</b>	<b>Description</b>	<b>Qty</b>
1	Cabinet Top	1
2	Left Side Panel	1
3	Right Side Panel	1
4	Shelf	1
5	Bottom Panel	1
6	Door	1
7	Back Panel	1
8	Side Frame	2
9	Top Metal Stretcher	2
10	Bottom Metal Stretcher	1

---

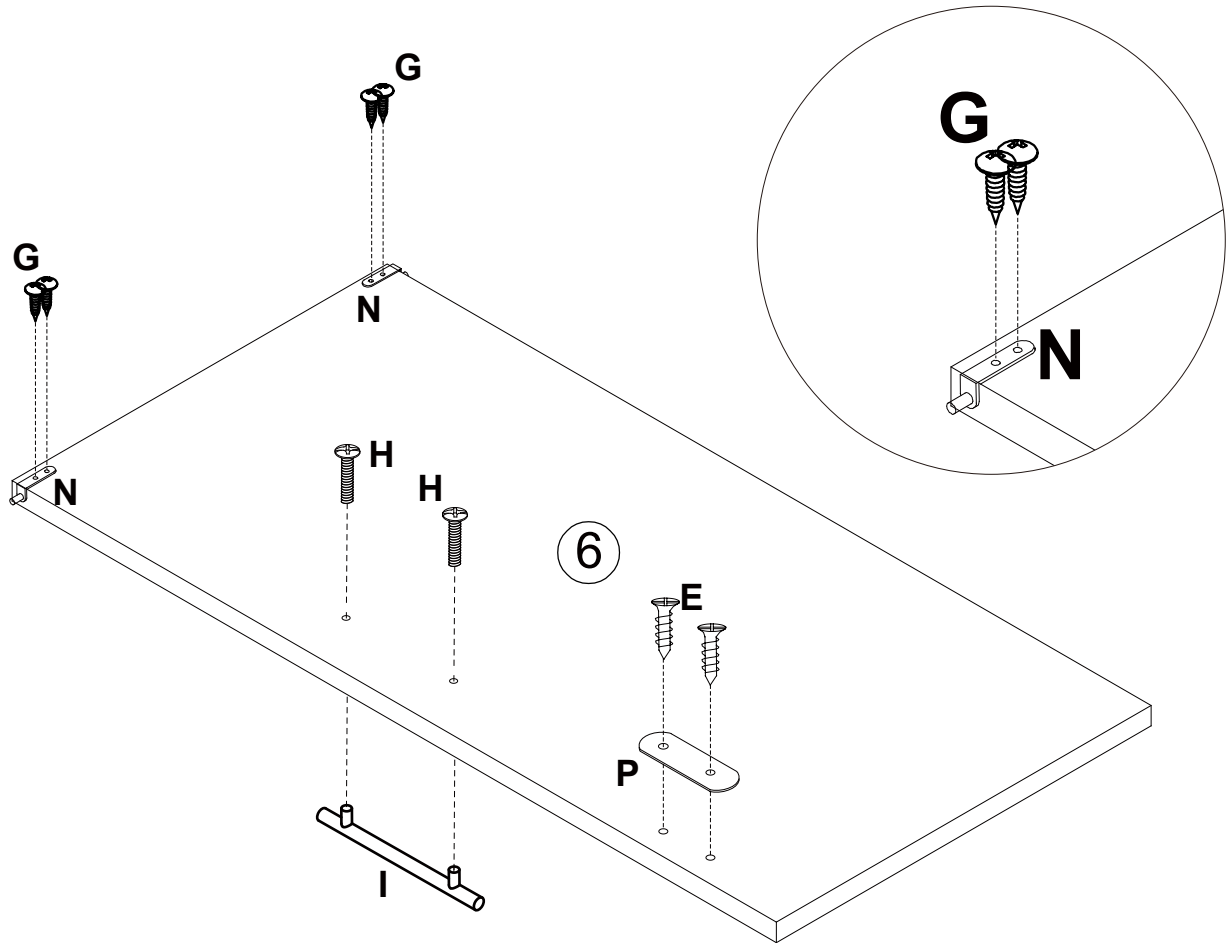
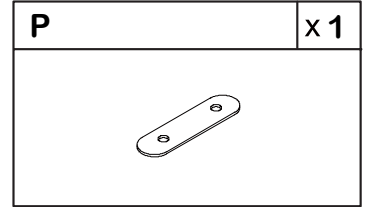
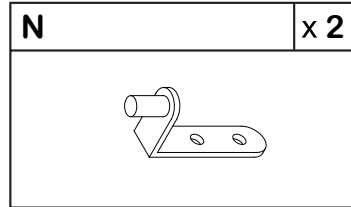
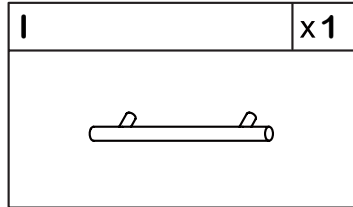
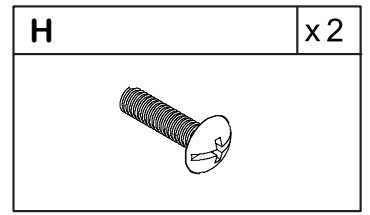
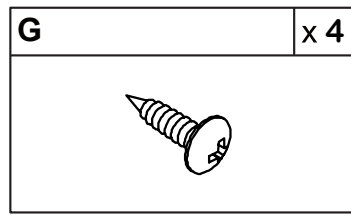
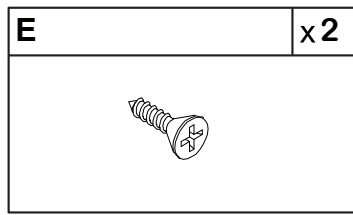
# The Accessoriess



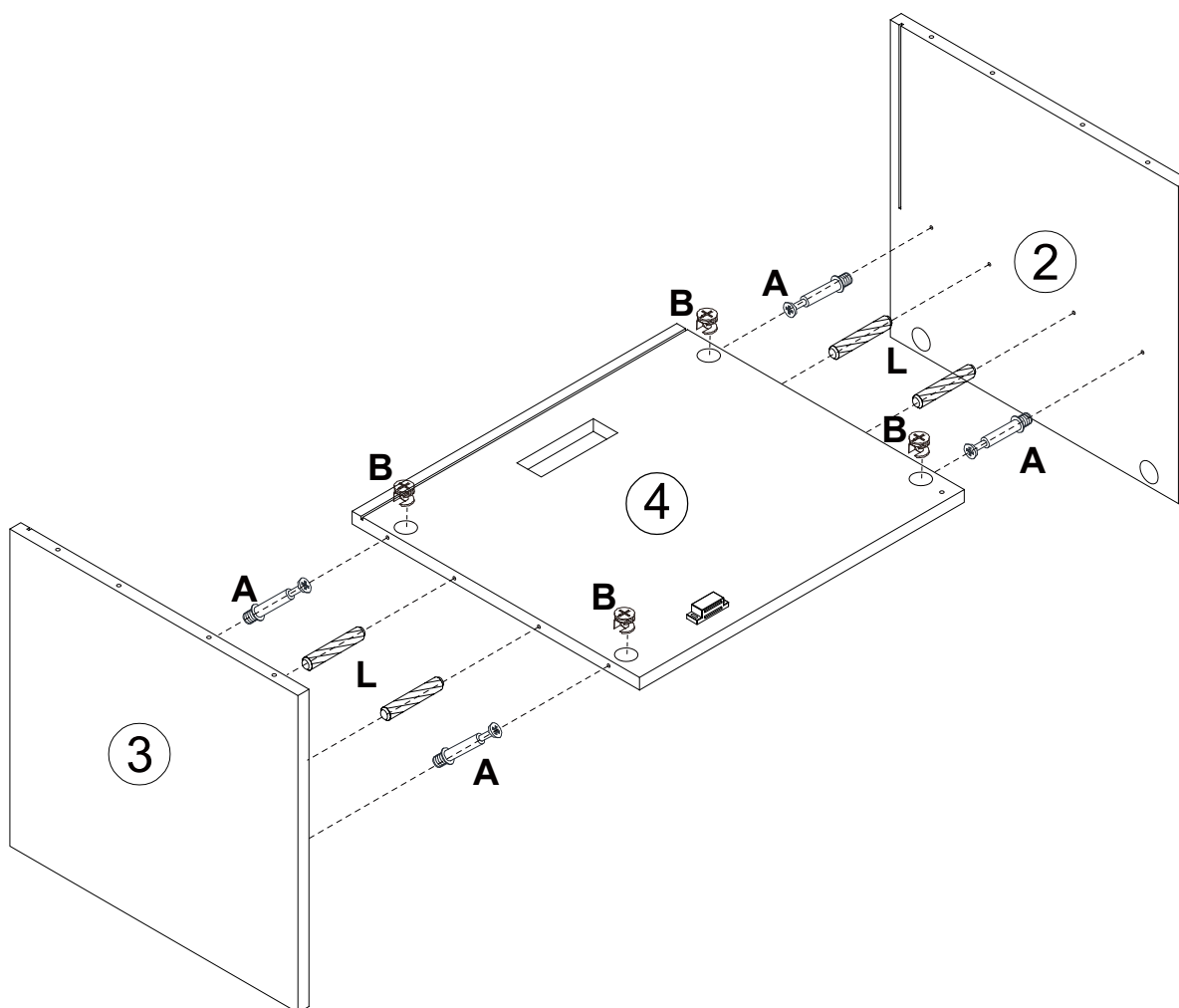
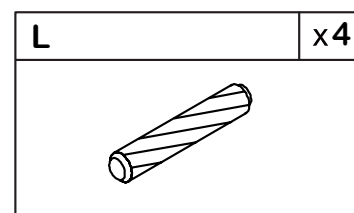
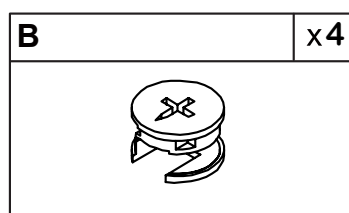
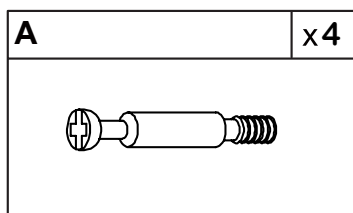
# Step 1



# Step 2

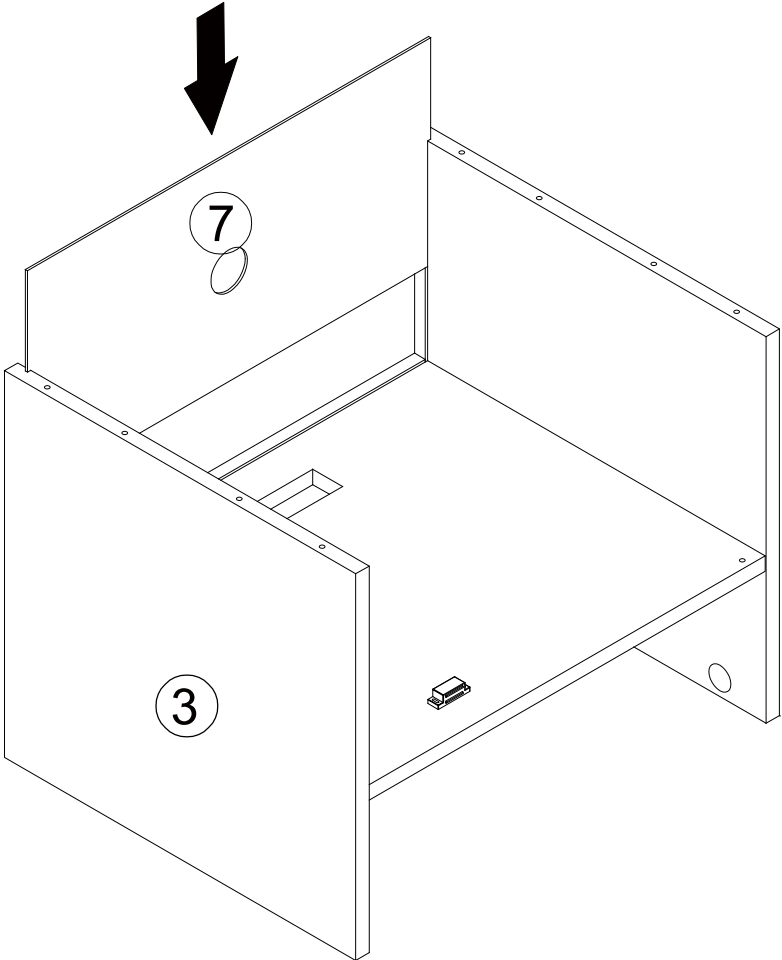


# Step 3

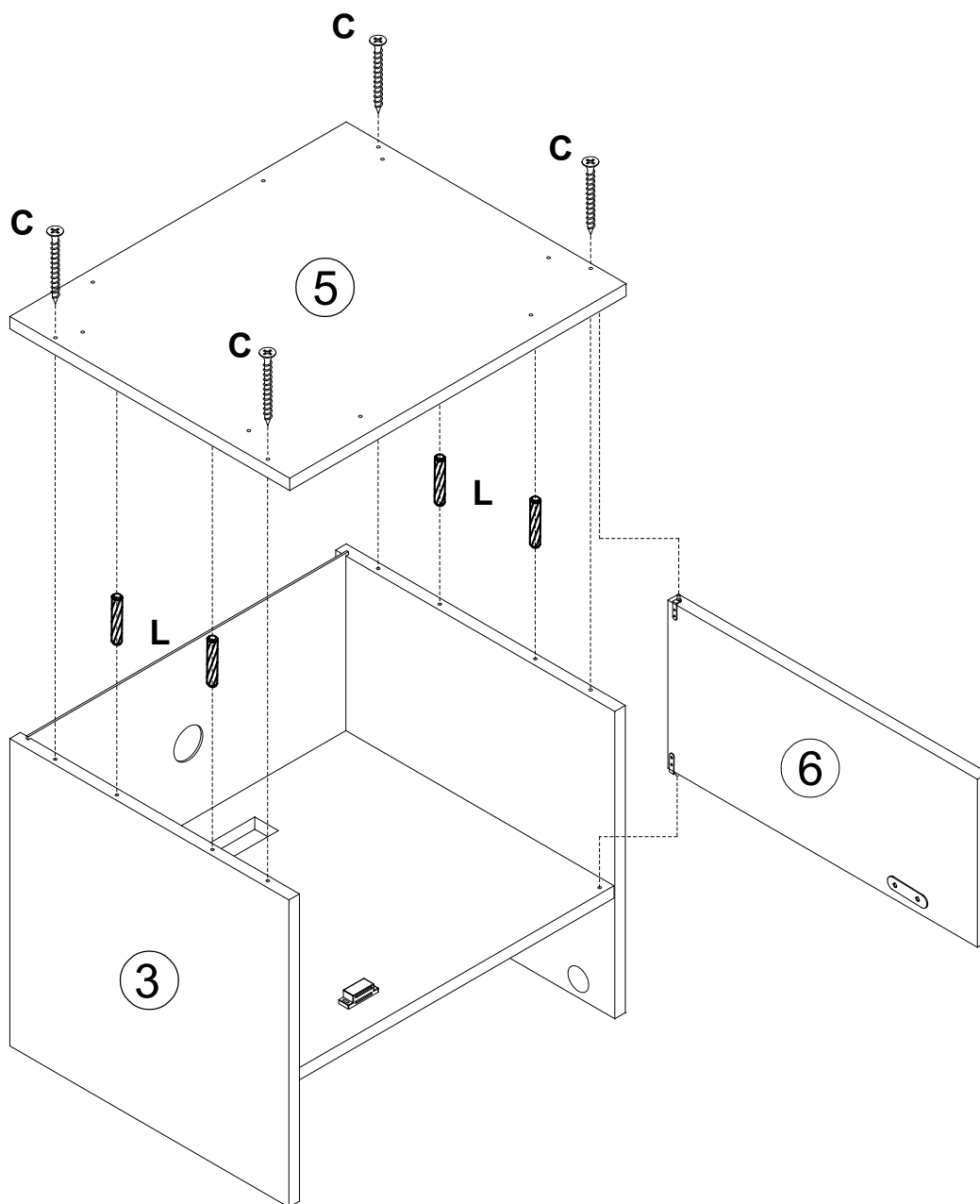
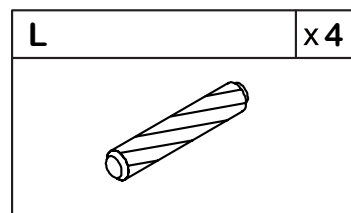
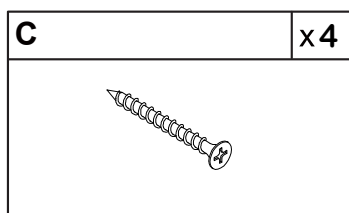




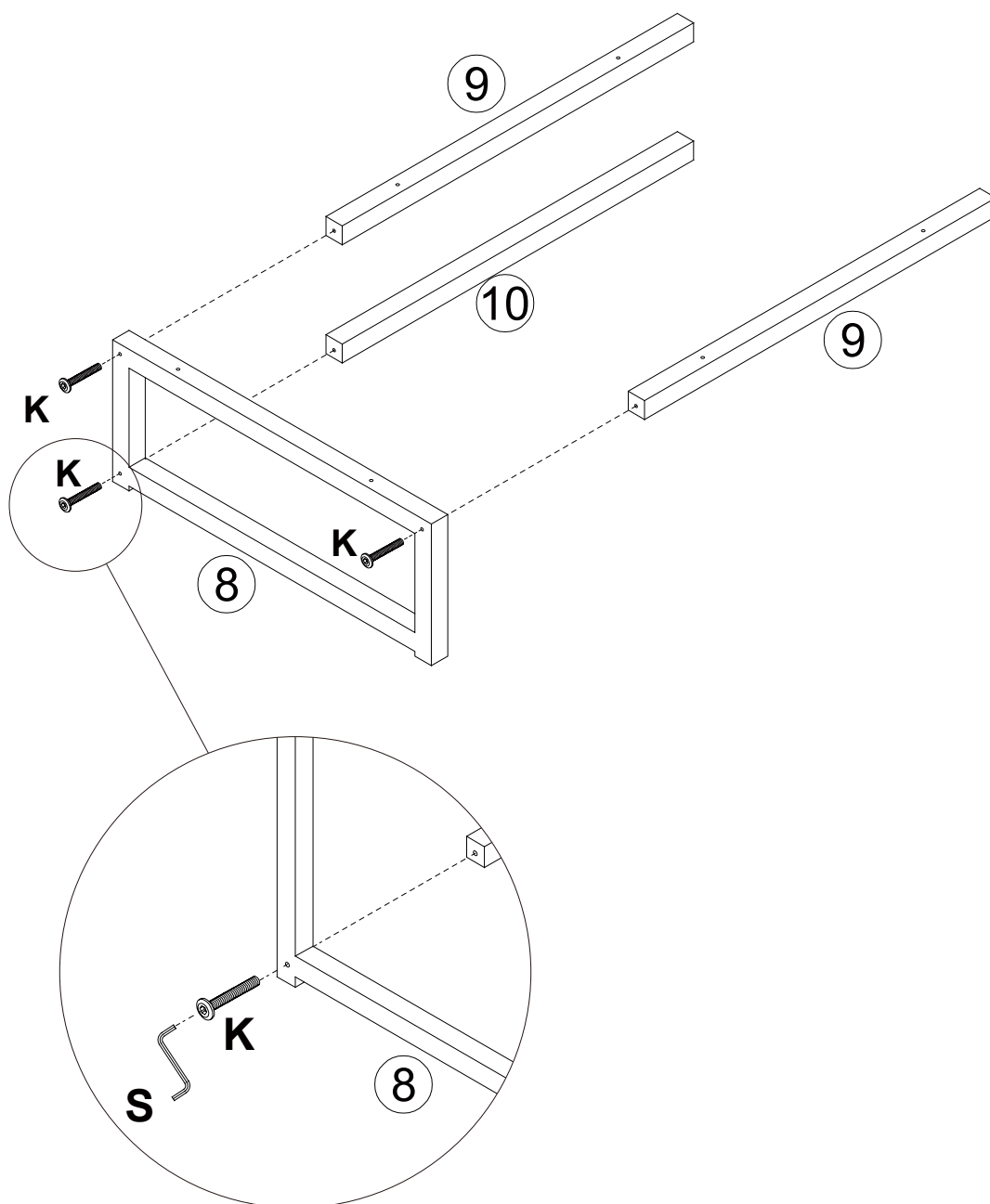
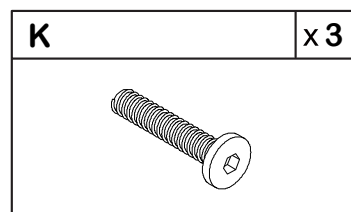
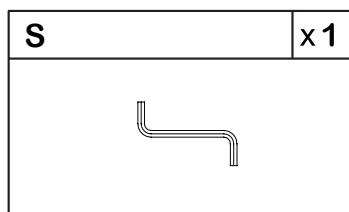
# Step 4



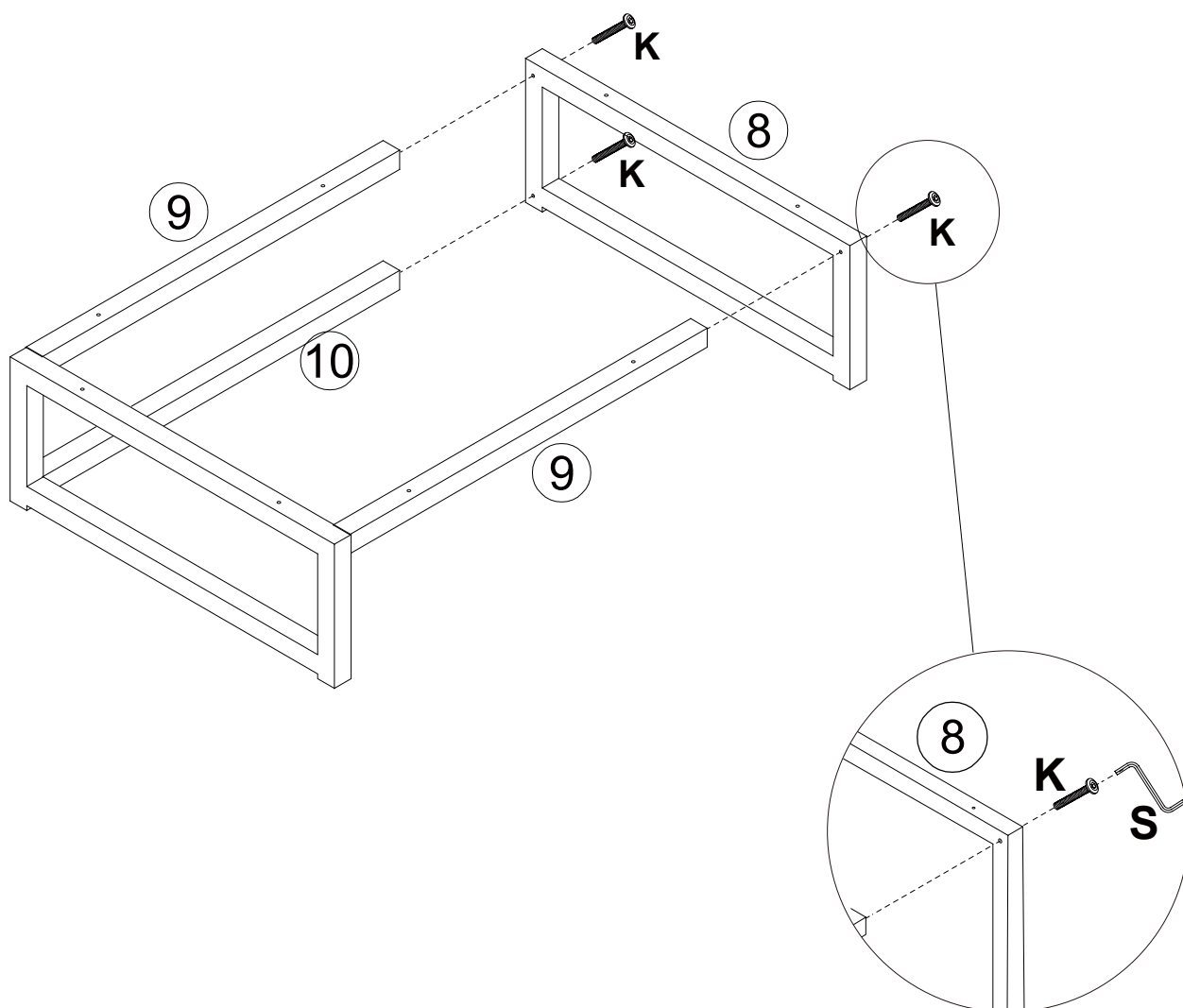
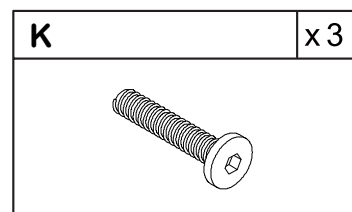
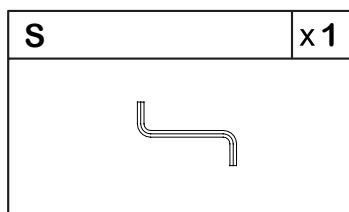
# Step 5



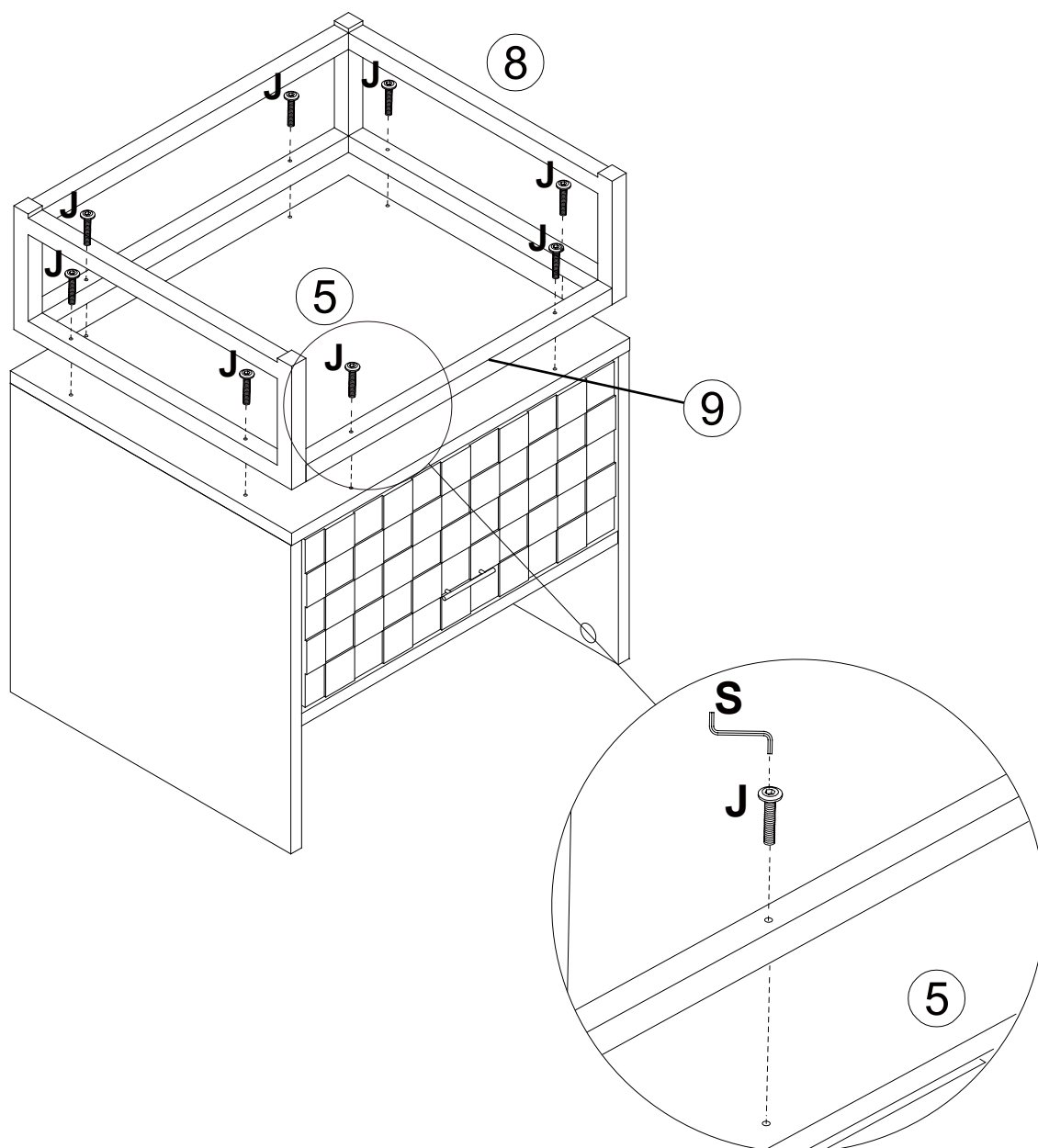
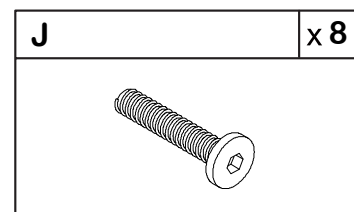
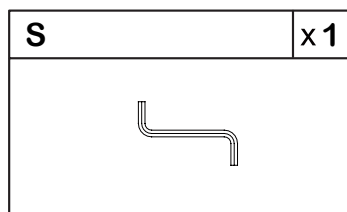
# Step 6



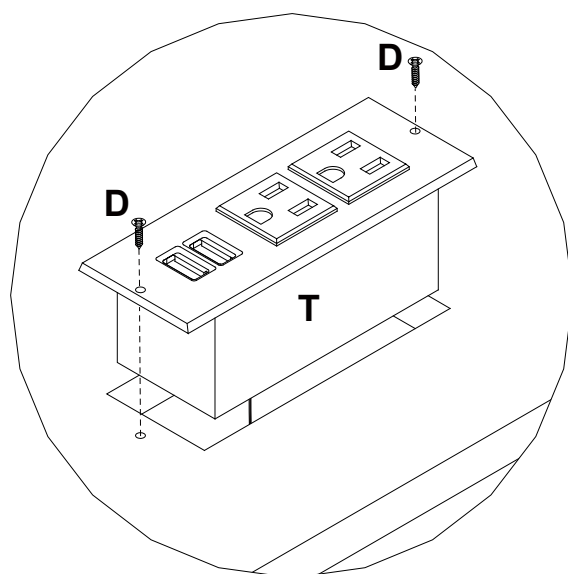
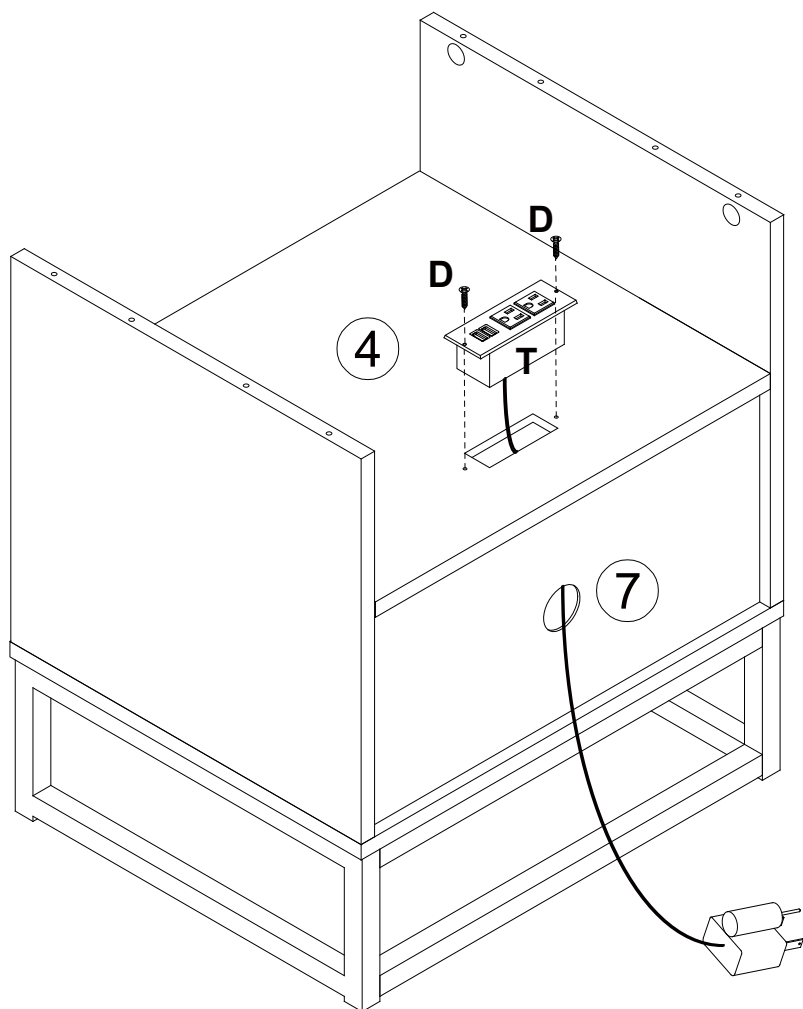
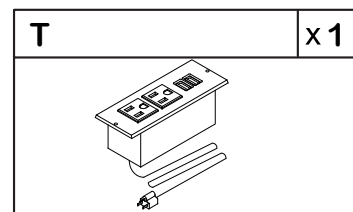
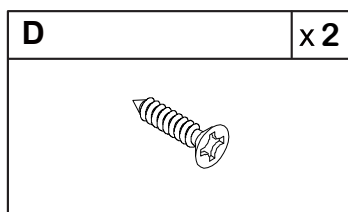
# Step 7



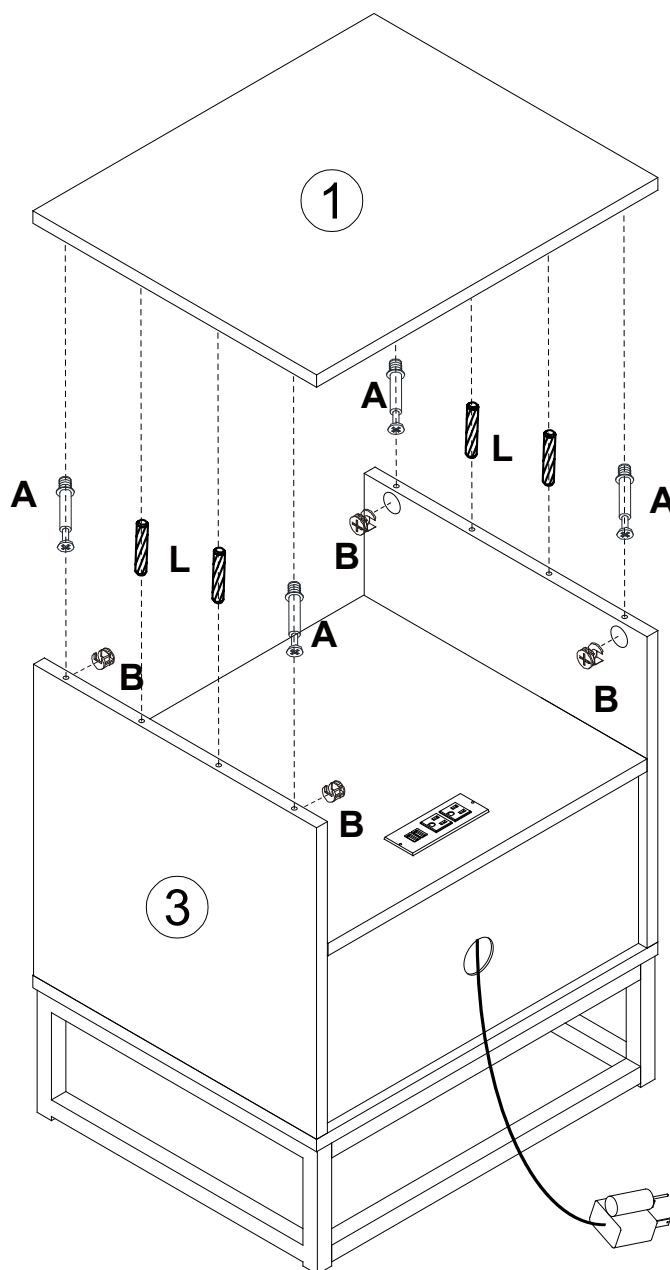
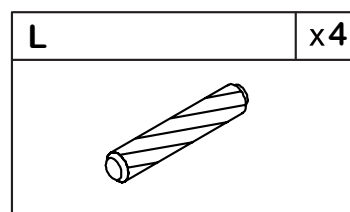
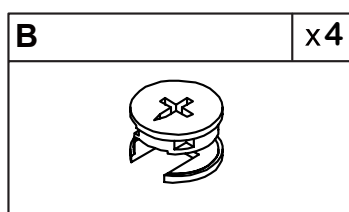
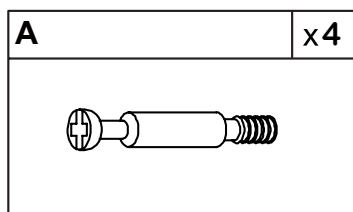
# Step 8



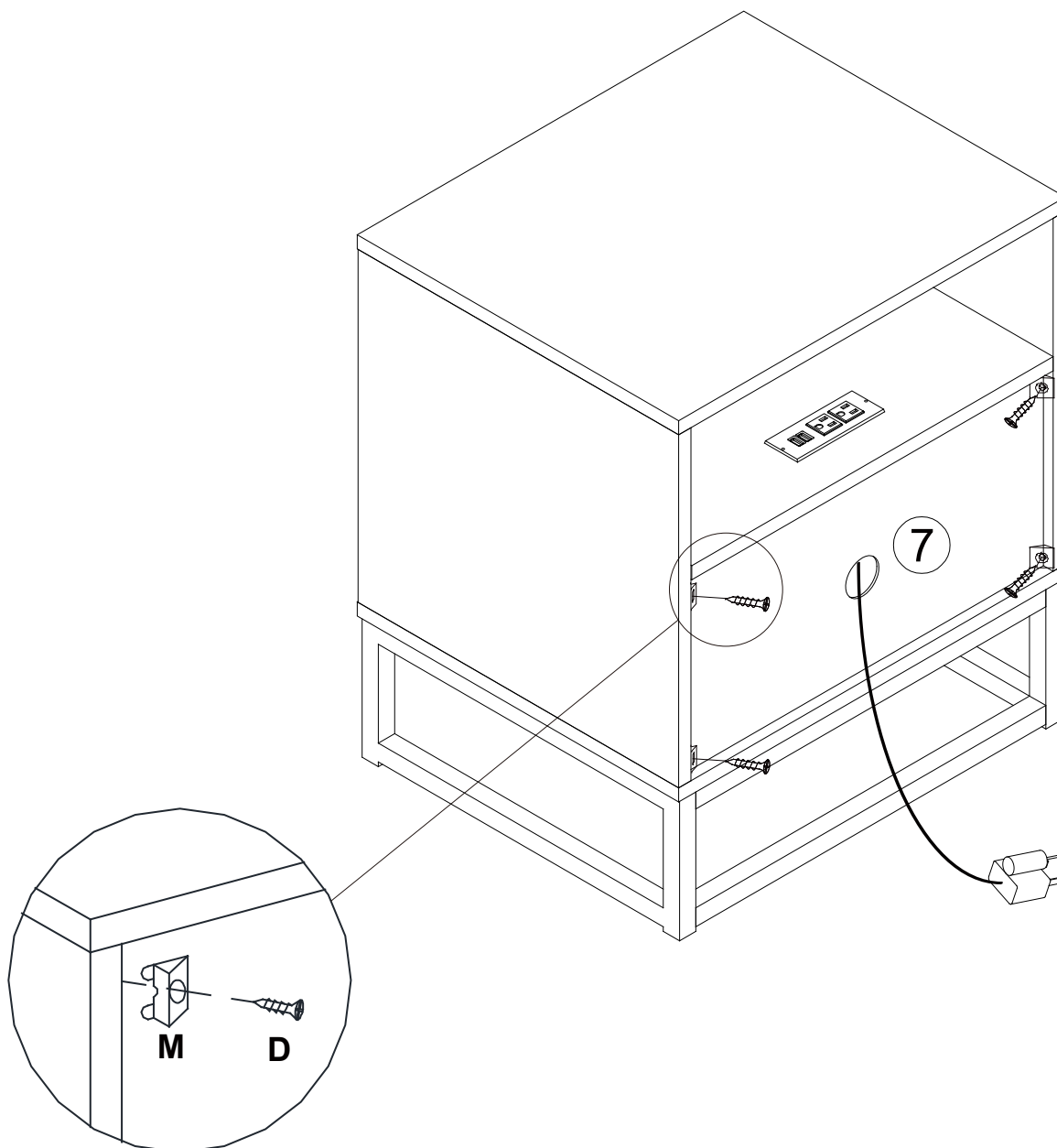
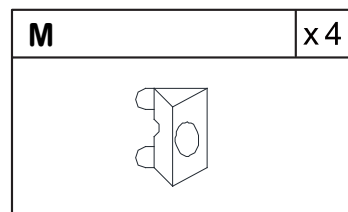
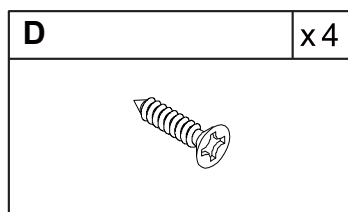
# Step 9



# Step 10

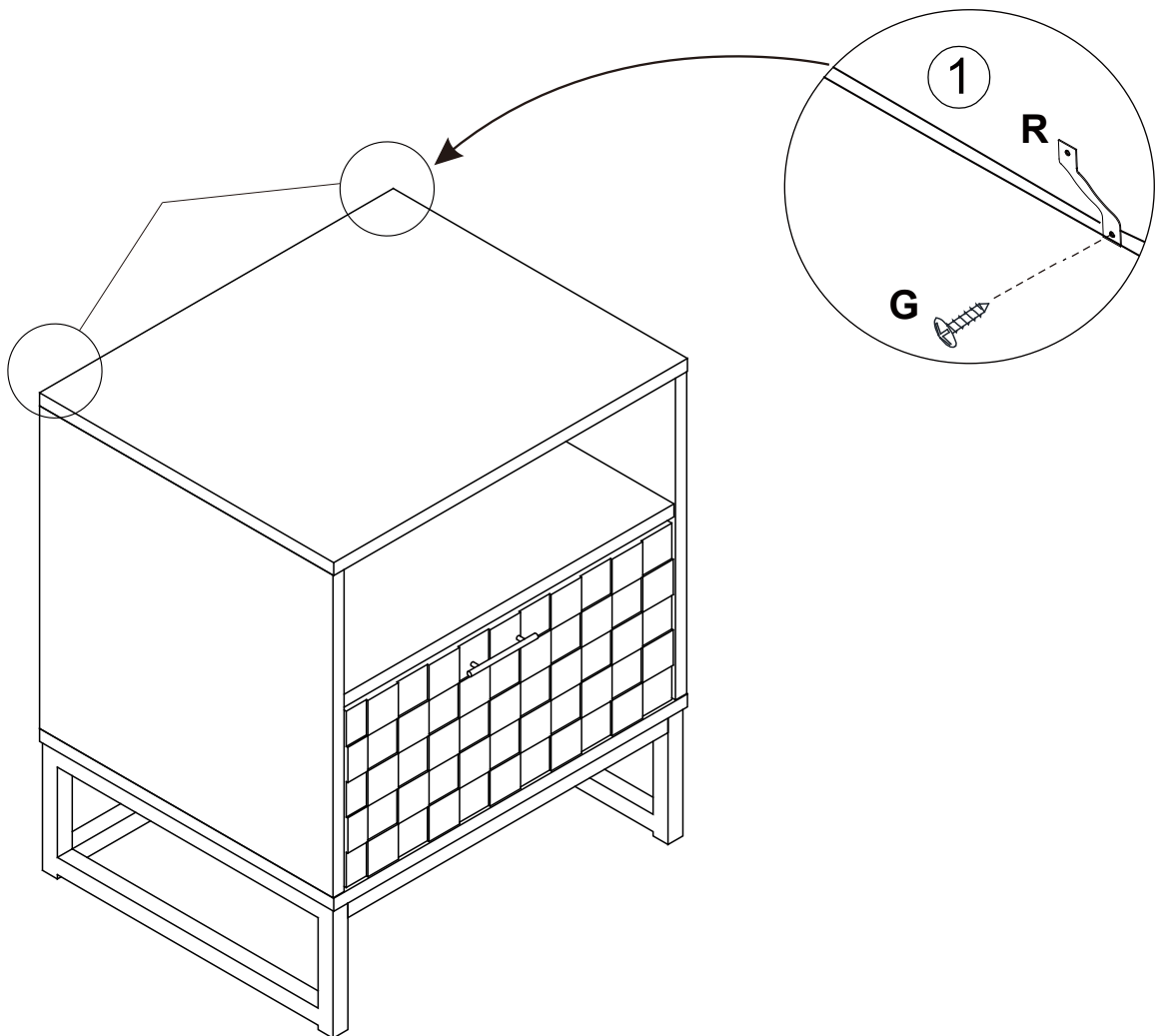
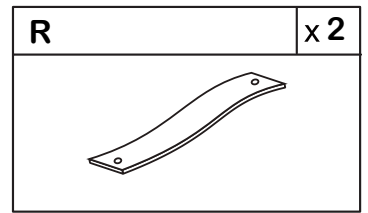
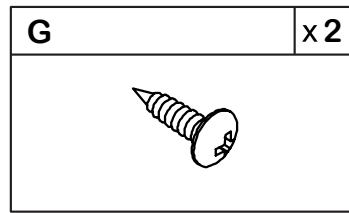


# Step 11

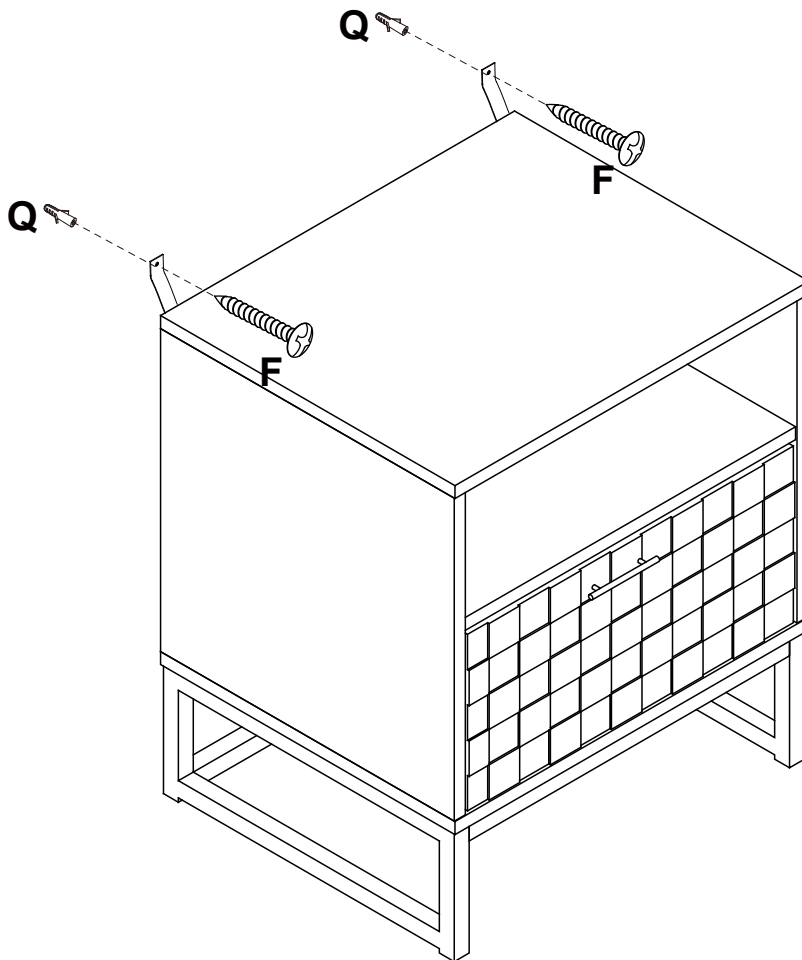
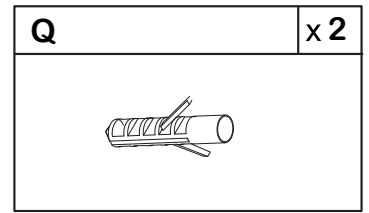
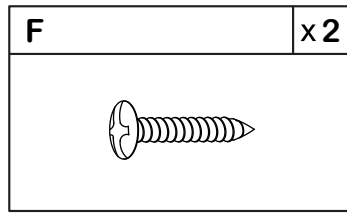




# Step 12



# Step 13





# Proper Use

- DO NOT** use for commercial purposes
- DO NOT** use as a step stool or stand on table
- DO NOT** put hot serving liquid directly on the table top
- DO NOT** leave spilled liquid on the table top
- DO NOT** use table if damaged
- DO NOT** exceed weight limit
- DO NOT** make temporary repairs
- DO NOT** use outdoor