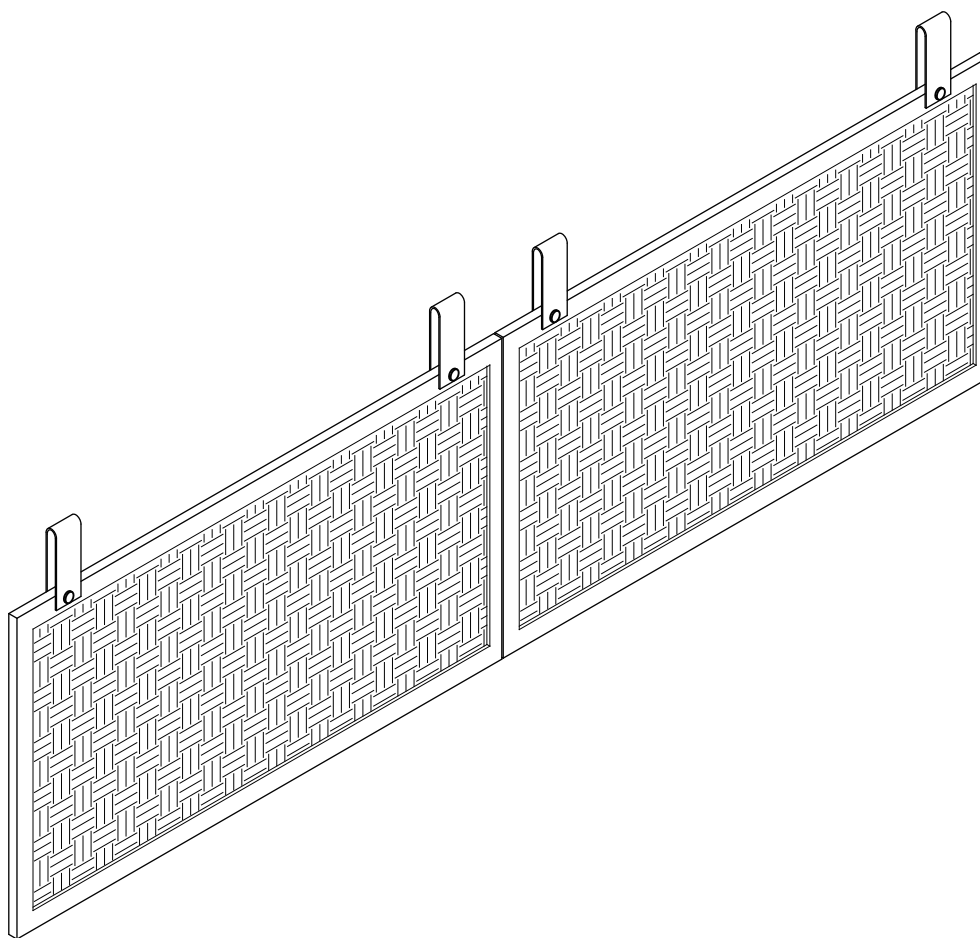


Installation Instruction



W68850561

Assembling

What's included

Estimated time for assembly

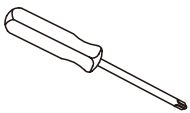


30 : 00

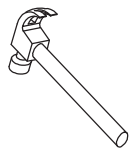
| Code | Description | Qty |
|------|-----------------|-----|
| A | Screw M4X35MM | 4 |
| B | Screw M4X12MM | 4 |
| C | Screw M3.5X40MM | 8 |
| D | Screw M3.5X12MM | 4 |
| E | PVC Stickers | 6 |
| F | Bracket | 4 |
| G | Fixed combiner | 4 |
| H | Anchor | 12 |
| I | Belt | 4 |

What you need

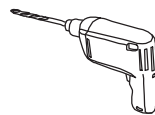
- Use the packaging carton as a working surface to prevent product damage during assembly
- Some tools needed as follow :



Phillips screwdriver



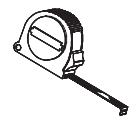
Hammer



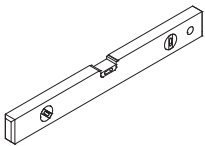
Electric portable drill with 1/4 bit



Pencil



Tape measure



Foaming level gauge

The Hardware

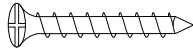
A



B



C



D



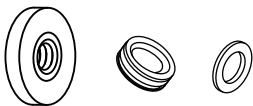
E



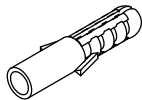
F



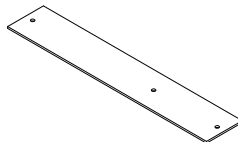
G



H



I

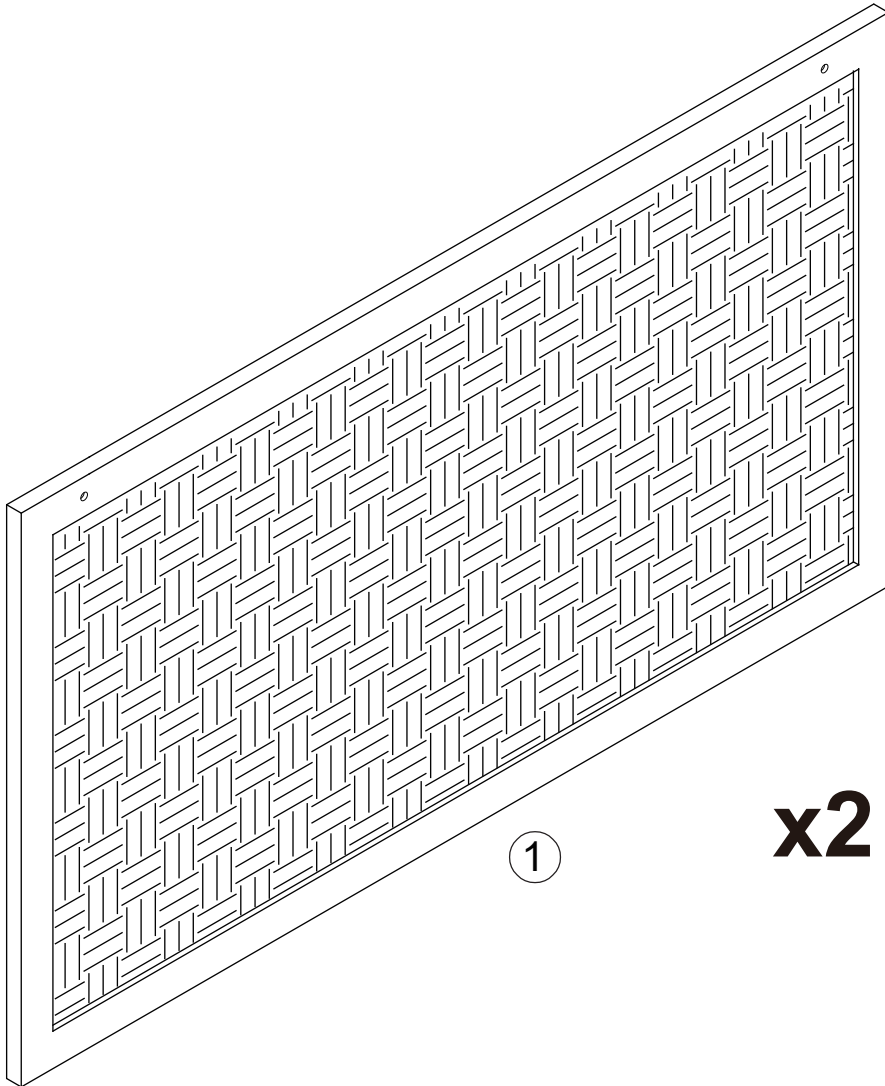


IMPORTANT:

1. Do not tighten bolts / screws completely until all bolts / screws are lined up and inserted into holes.
2. Do not over tighten screws and bolts to avoid stripping.
3. Please use hand tools to assemble this product. Do not use power tools.

Included Accessories

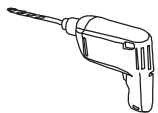
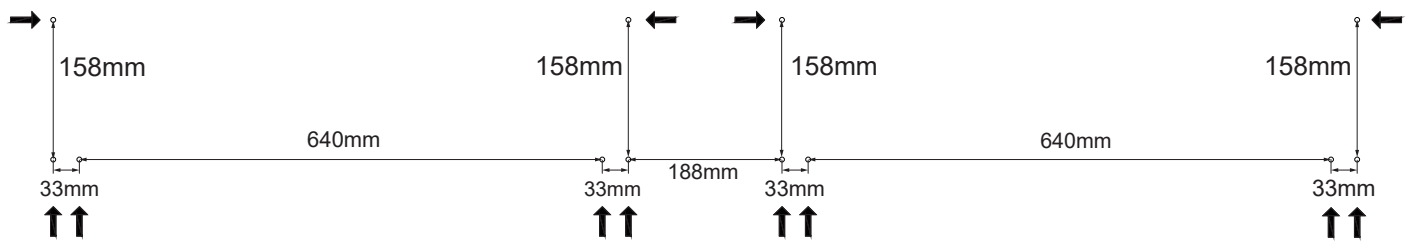
| Code | Description | Qty |
|------|------------------------------|-----|
| 1 | Long Double Decorative Panel | 2 |



Step 1

Option 1

Example of hole spacing on the wall



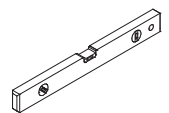
Electric portable drill with 1/4 bit



Pencil

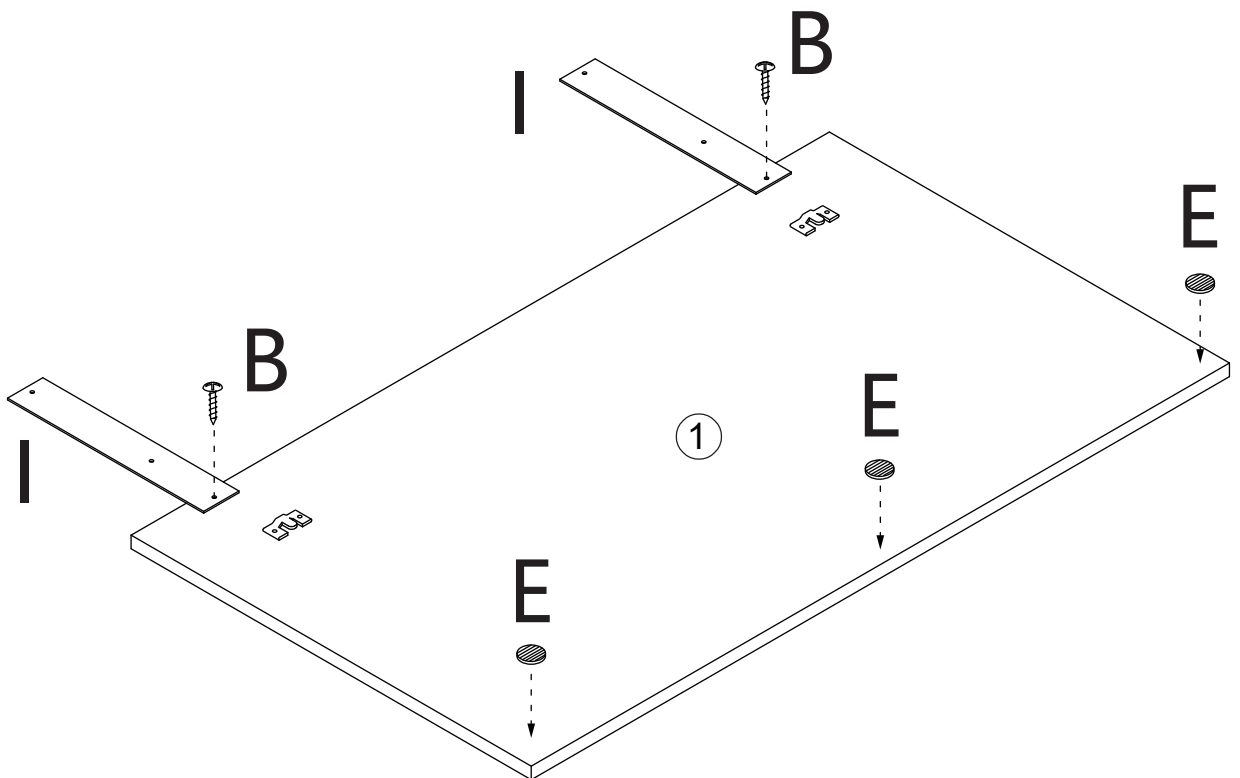
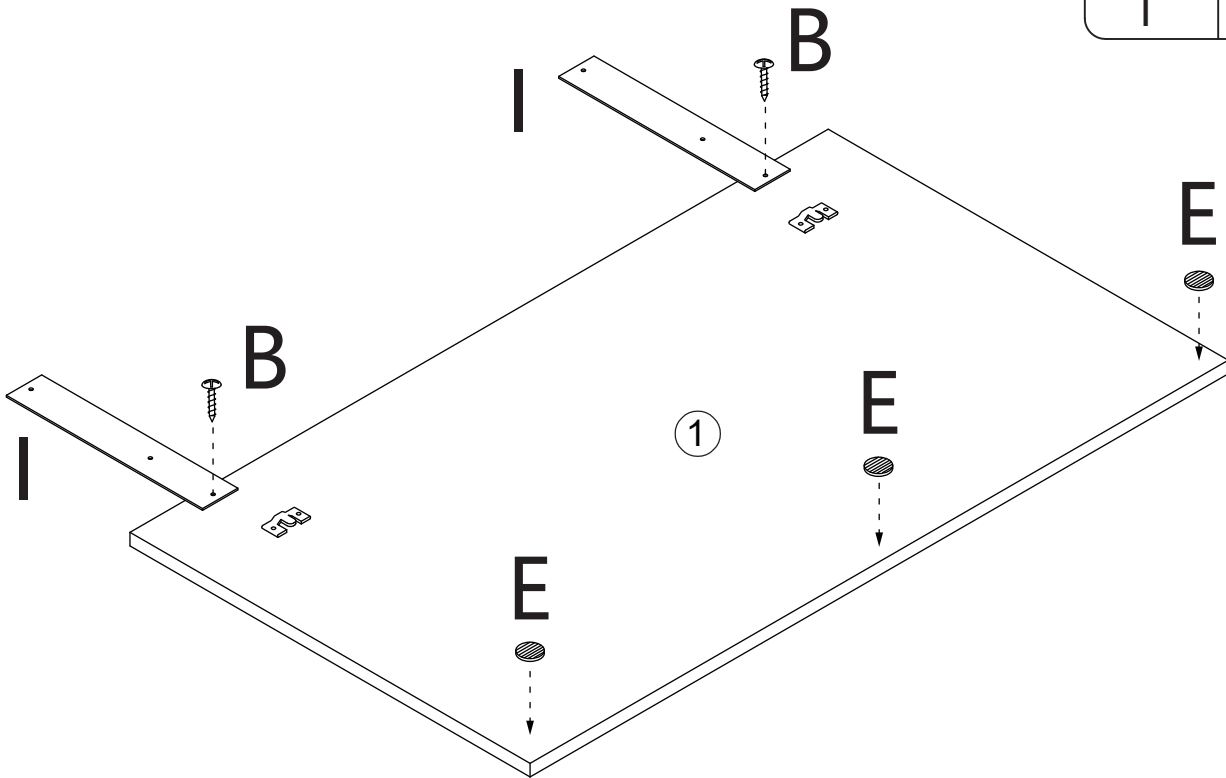
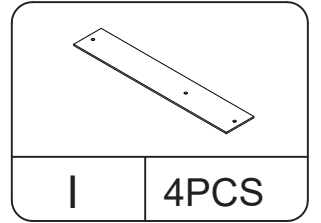
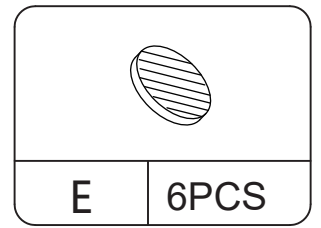
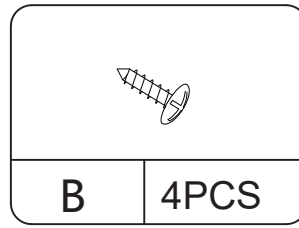


Tape measure

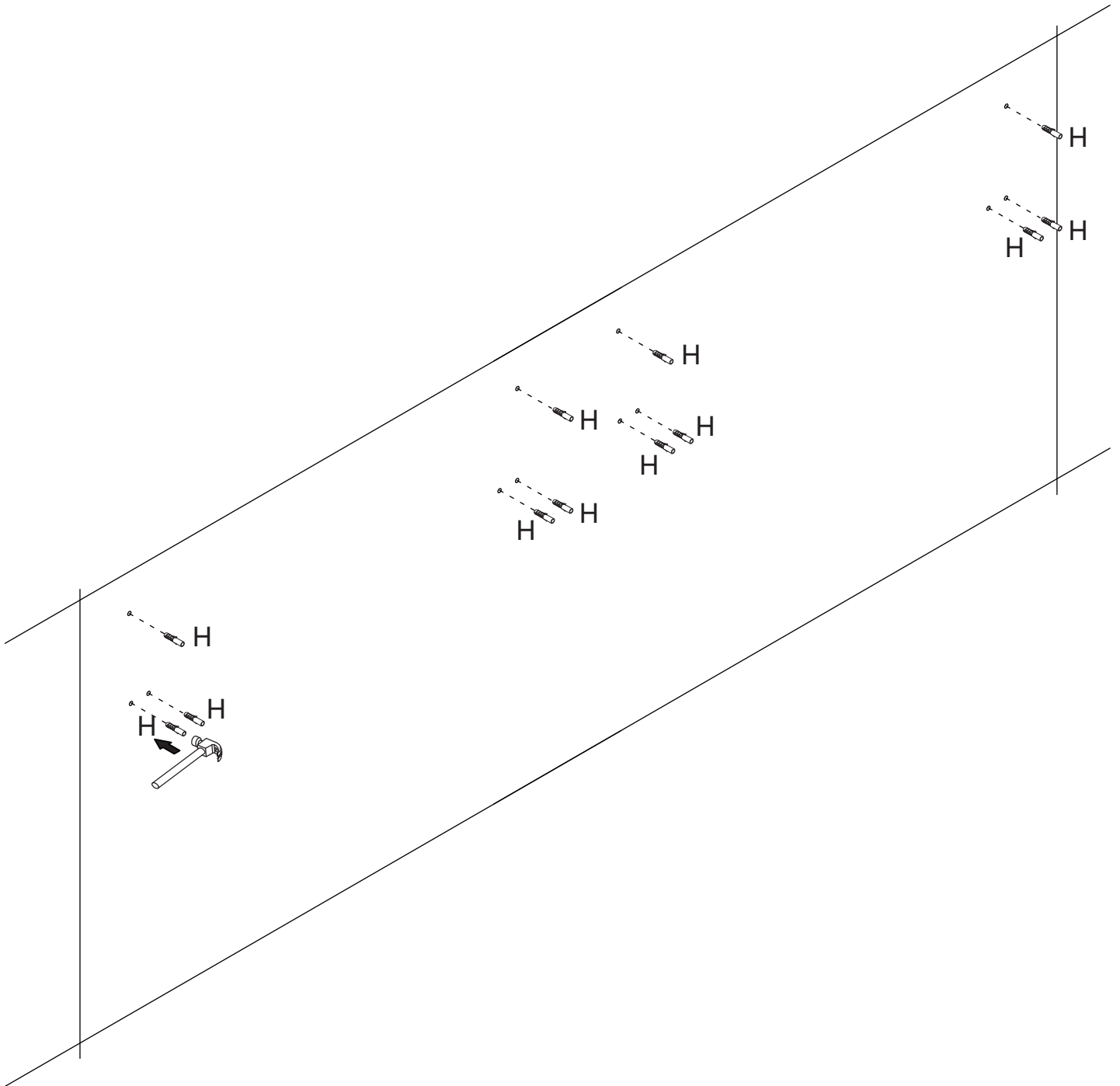
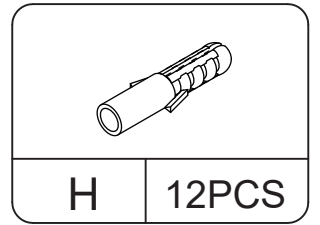


Foaming level gauge

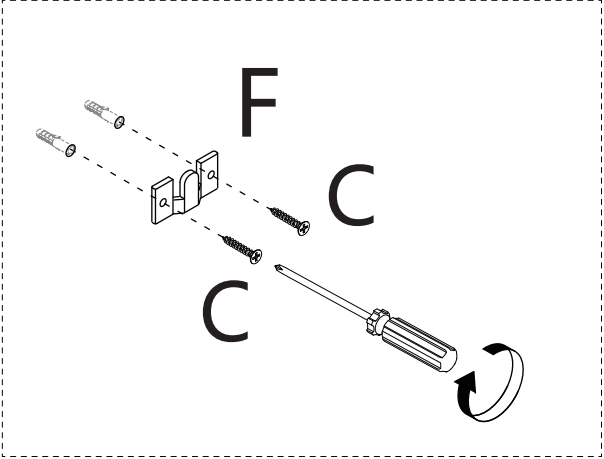
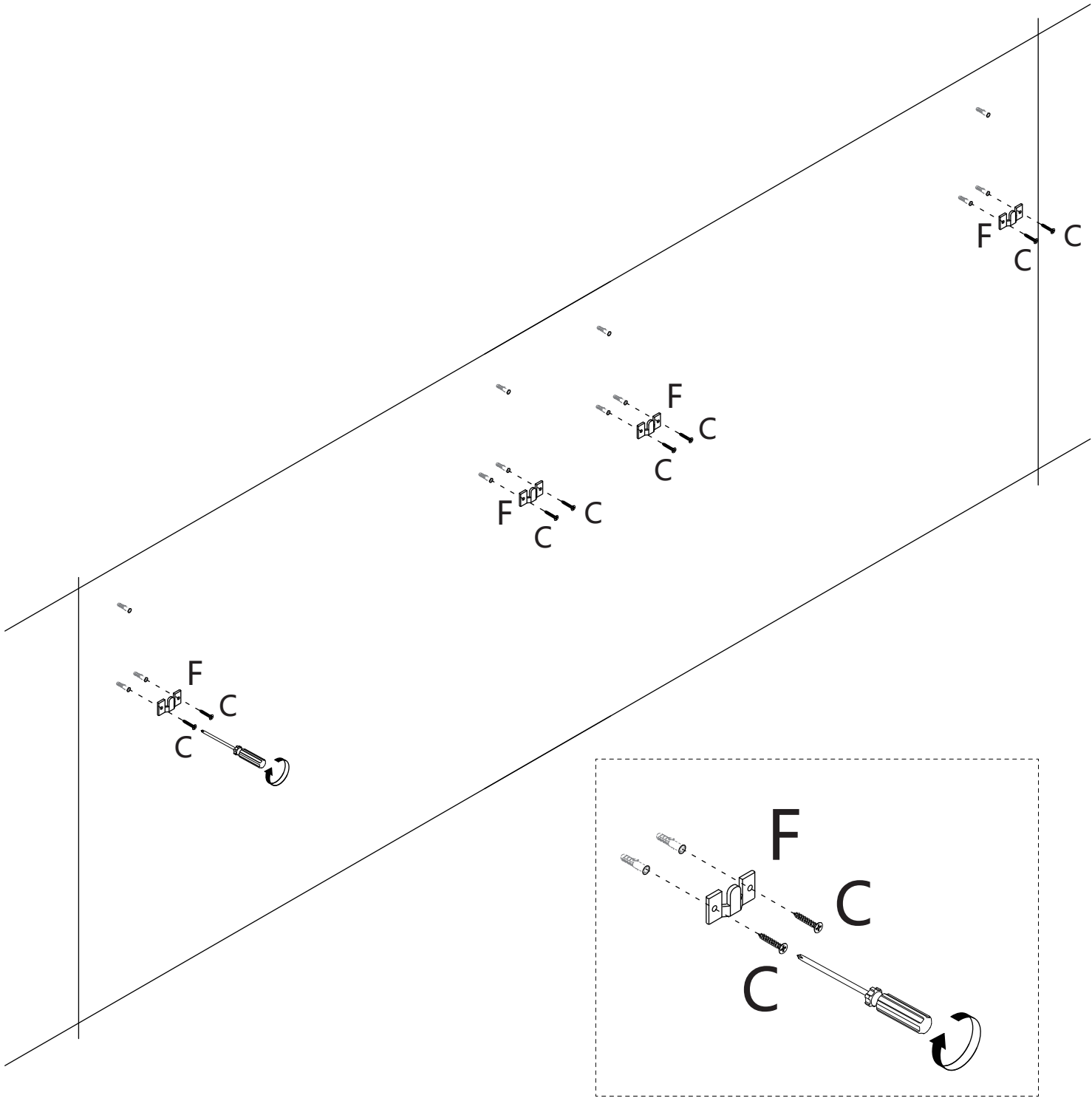
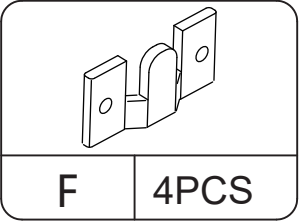
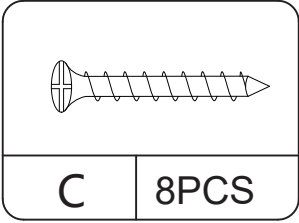
Step 2



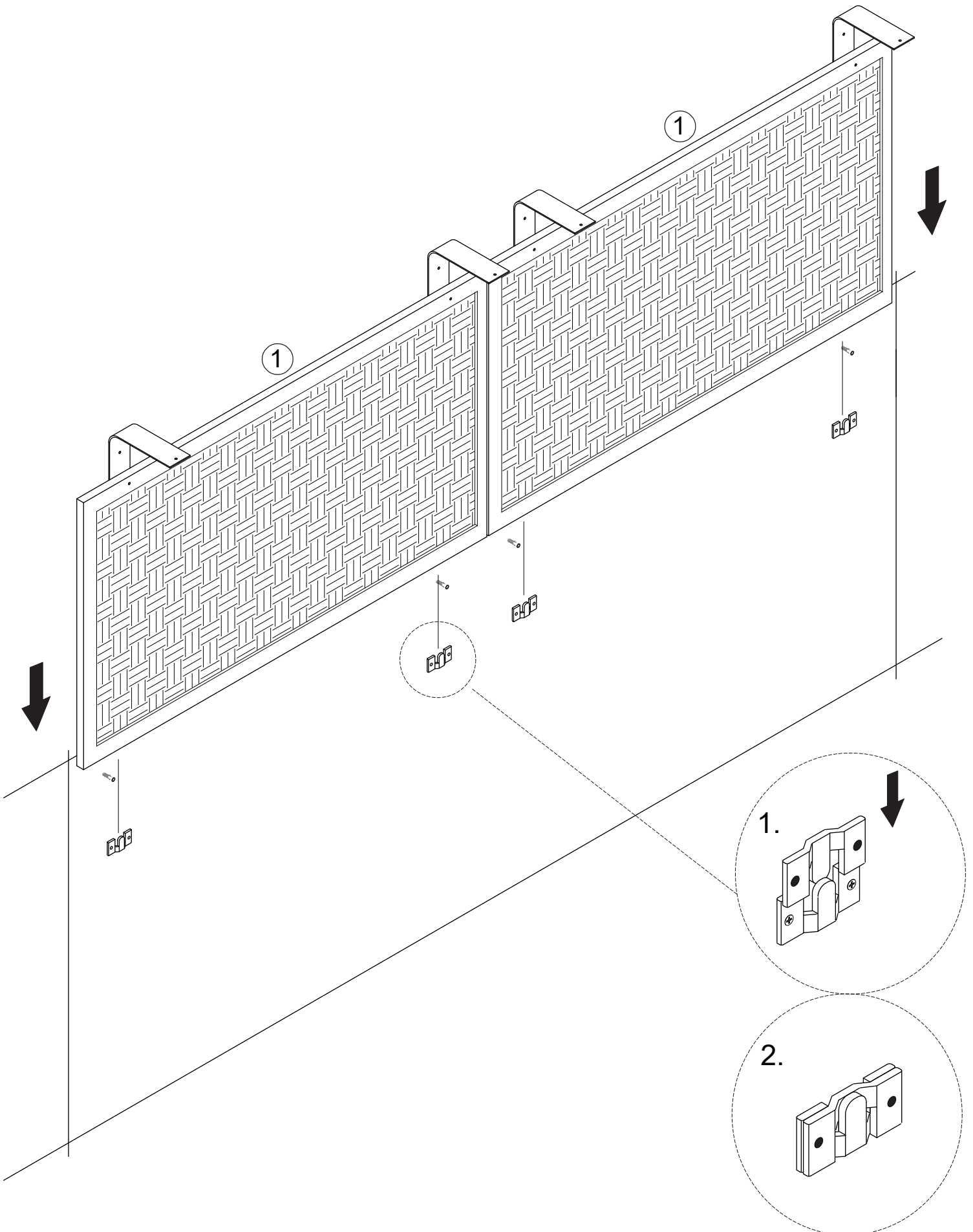
Step 3



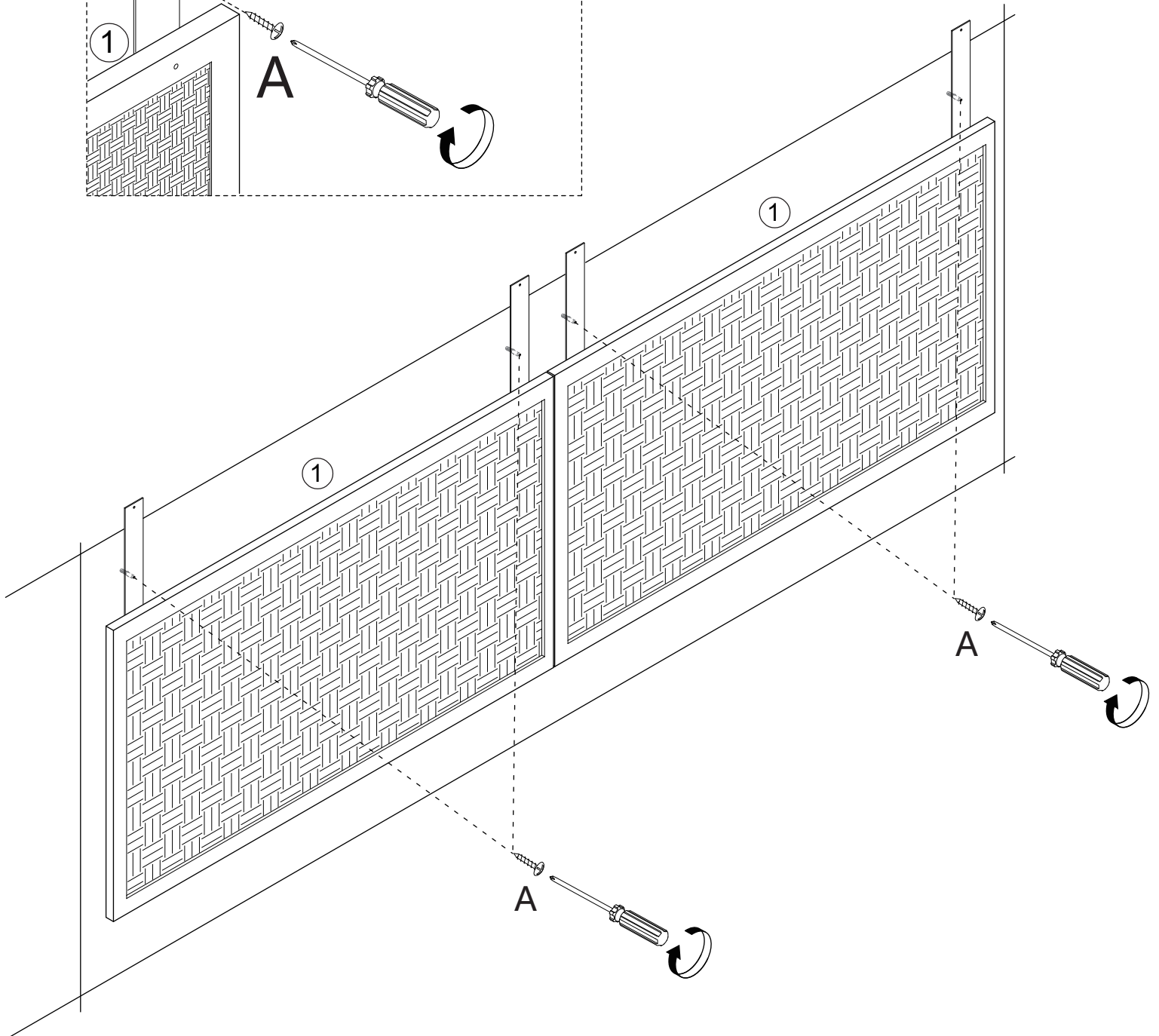
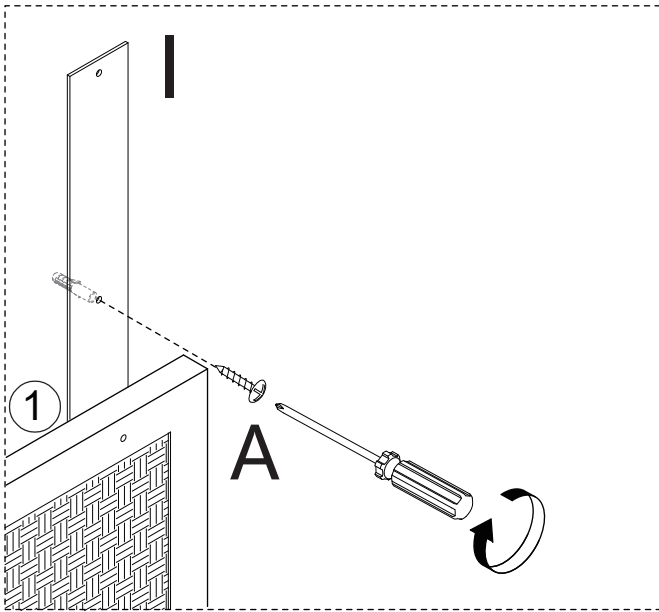
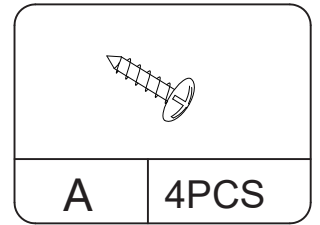
Step 4



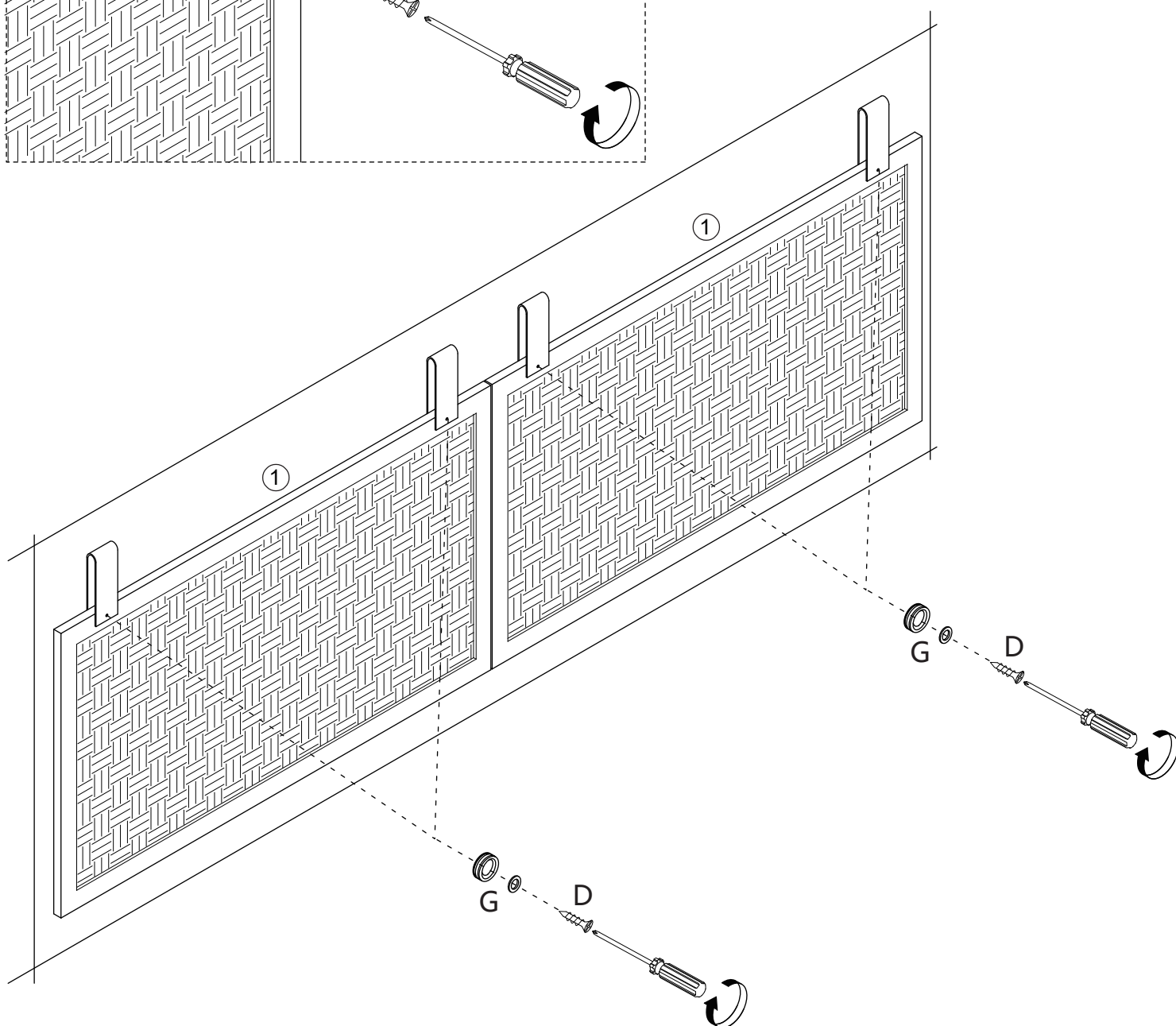
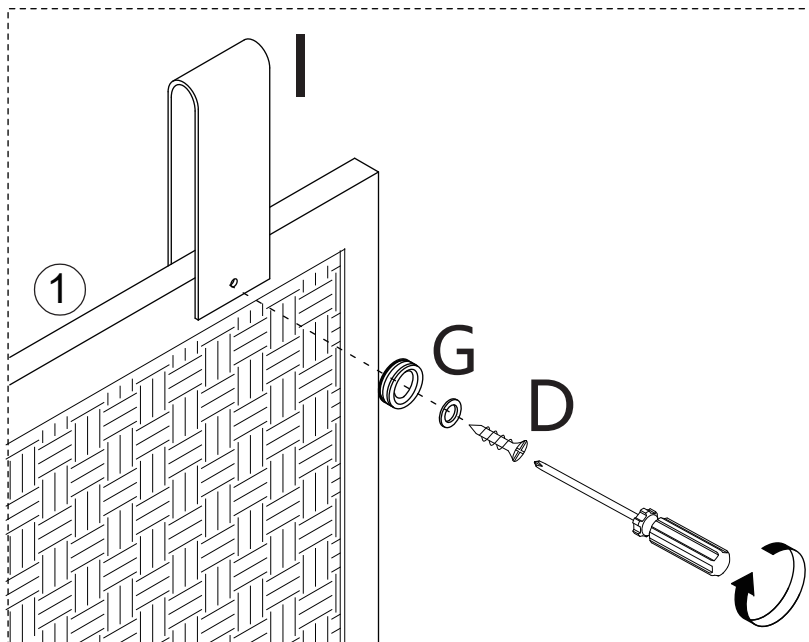
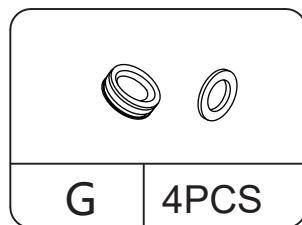
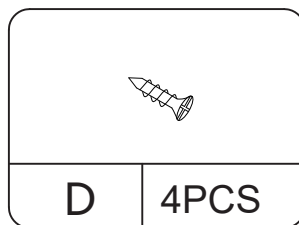
Step 5



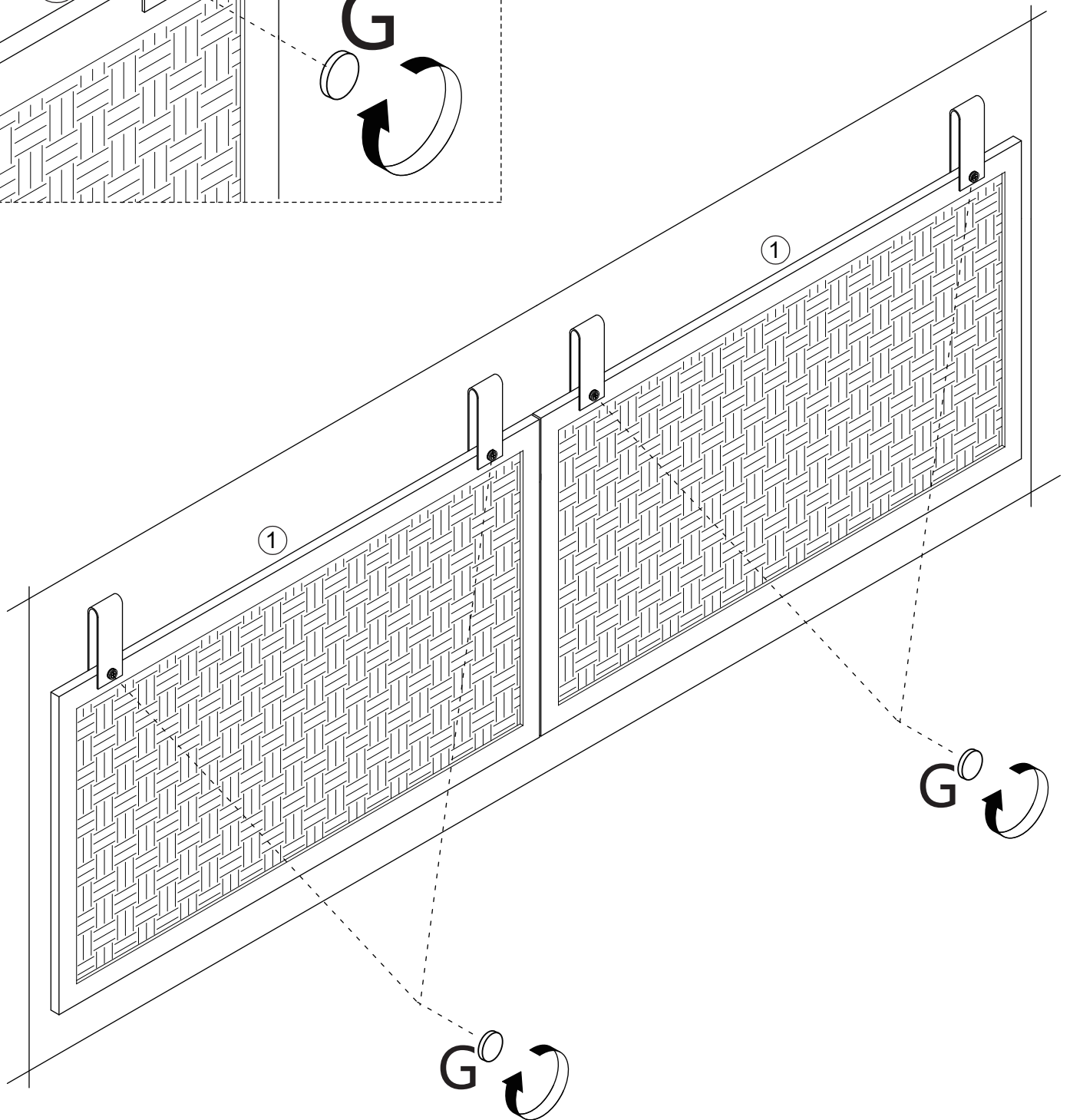
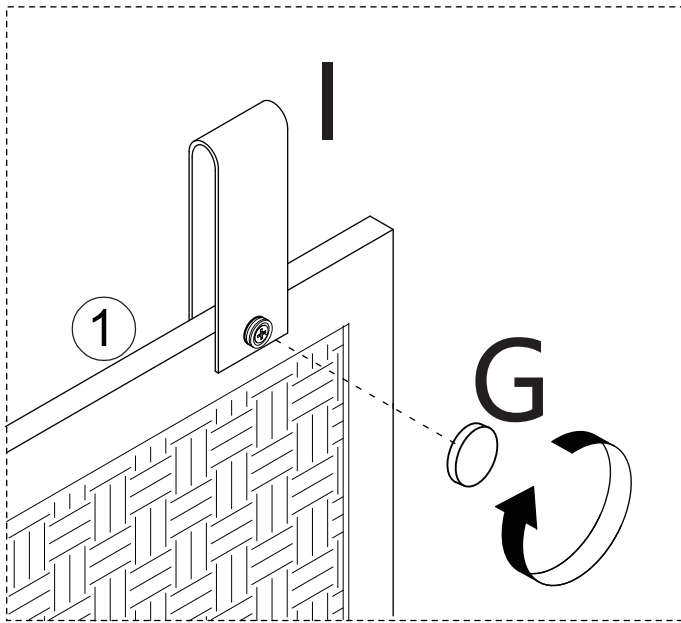
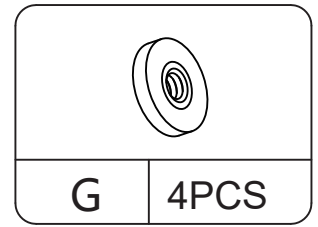
Step 6



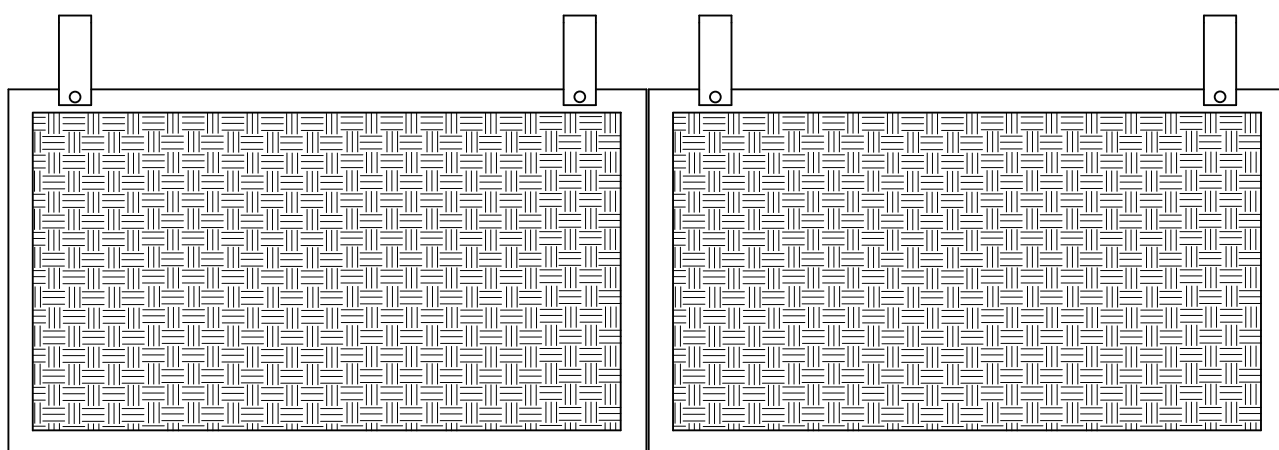
Step 7



Step 8



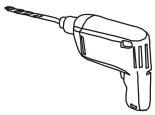
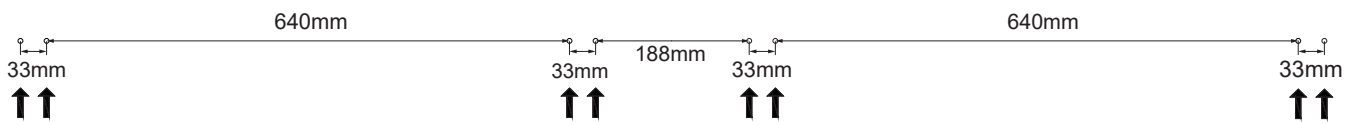
Step 9



Step 1

Option 2

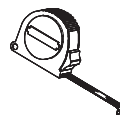
Example of hole spacing on the wall



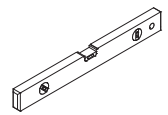
Electric portable drill with 1/4 bit



Pencil

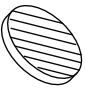


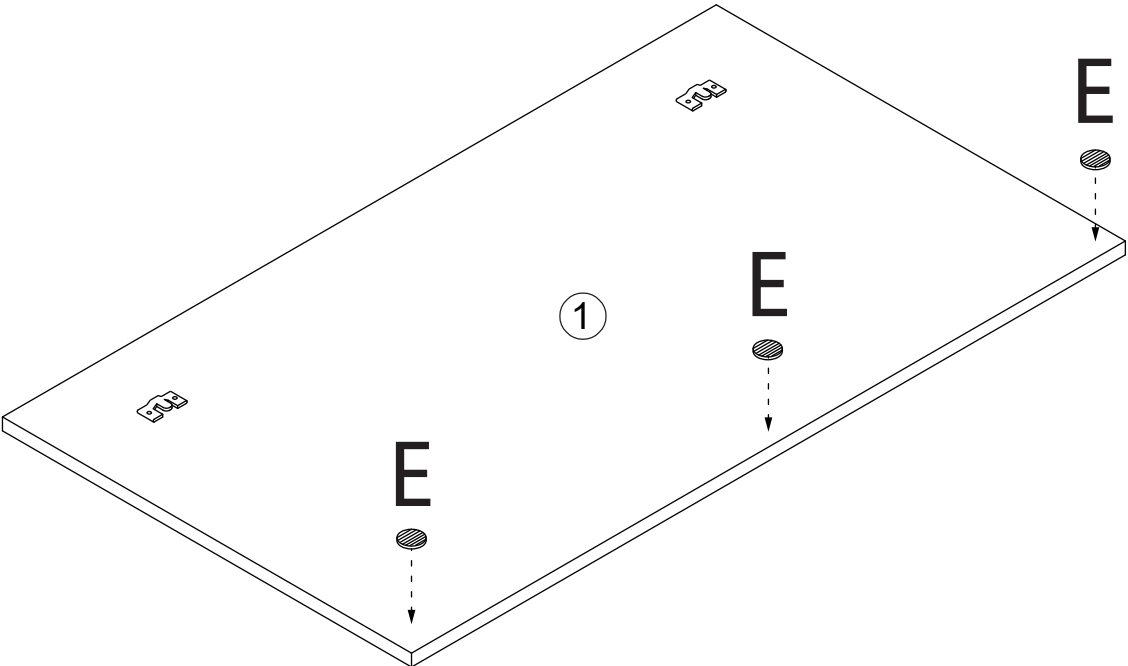
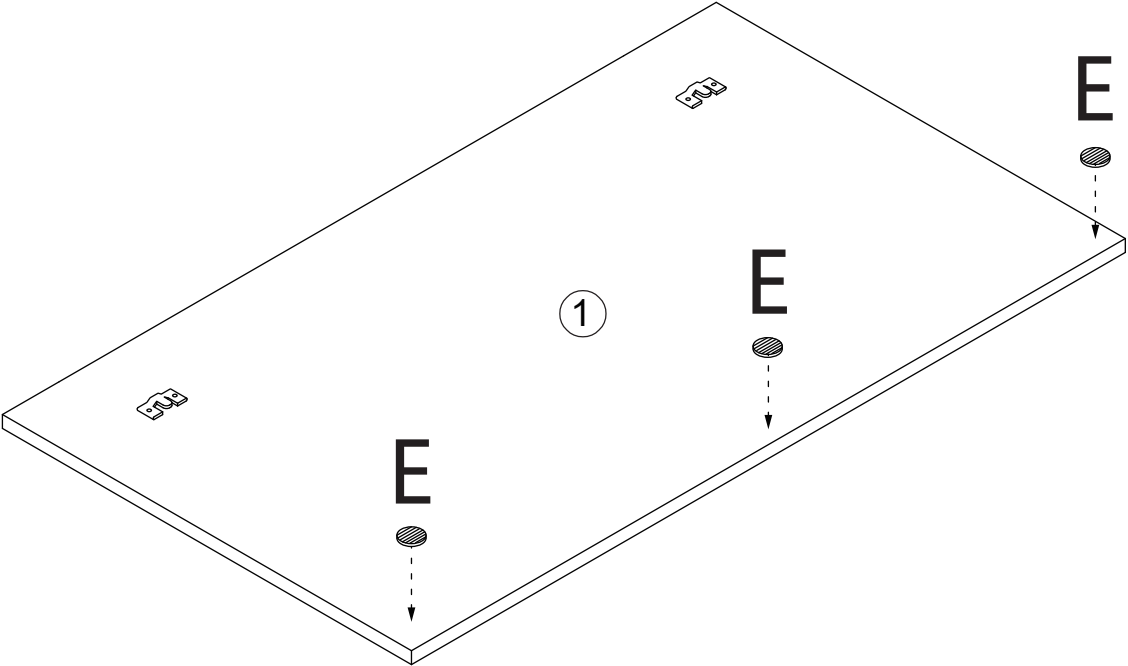
Tape measure



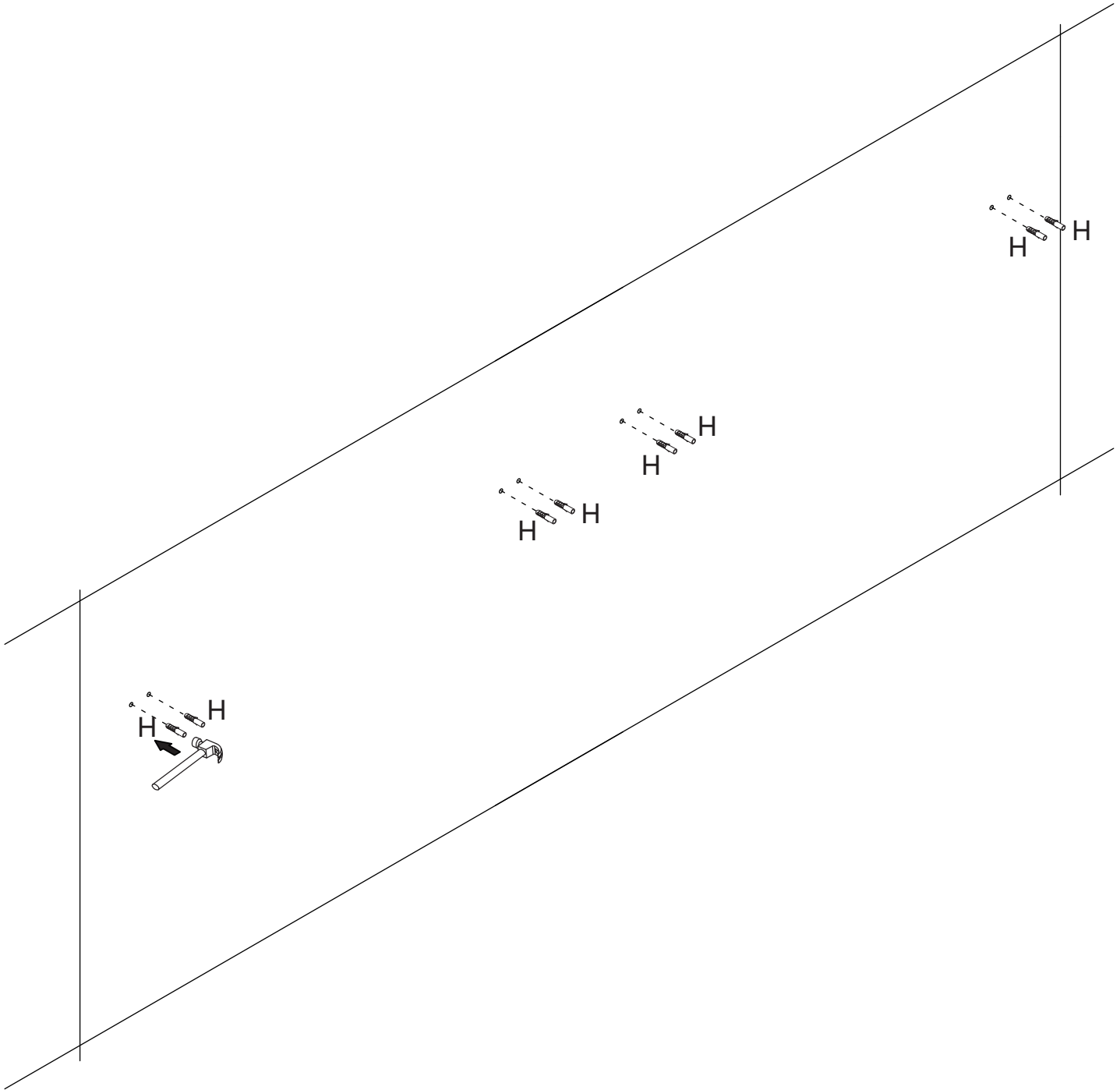
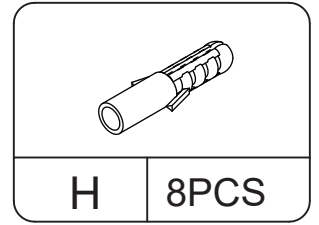
Foaming level gauge

Step 2

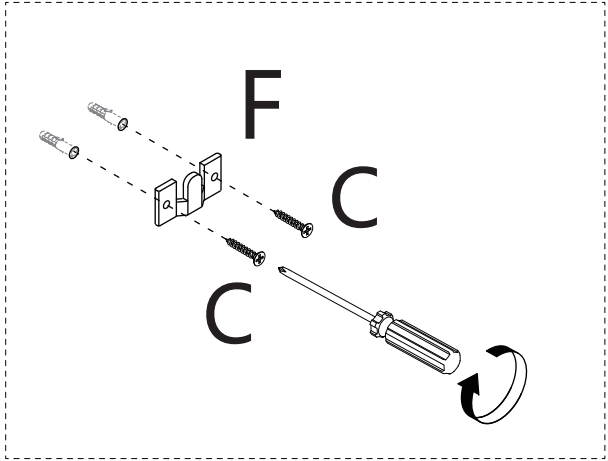
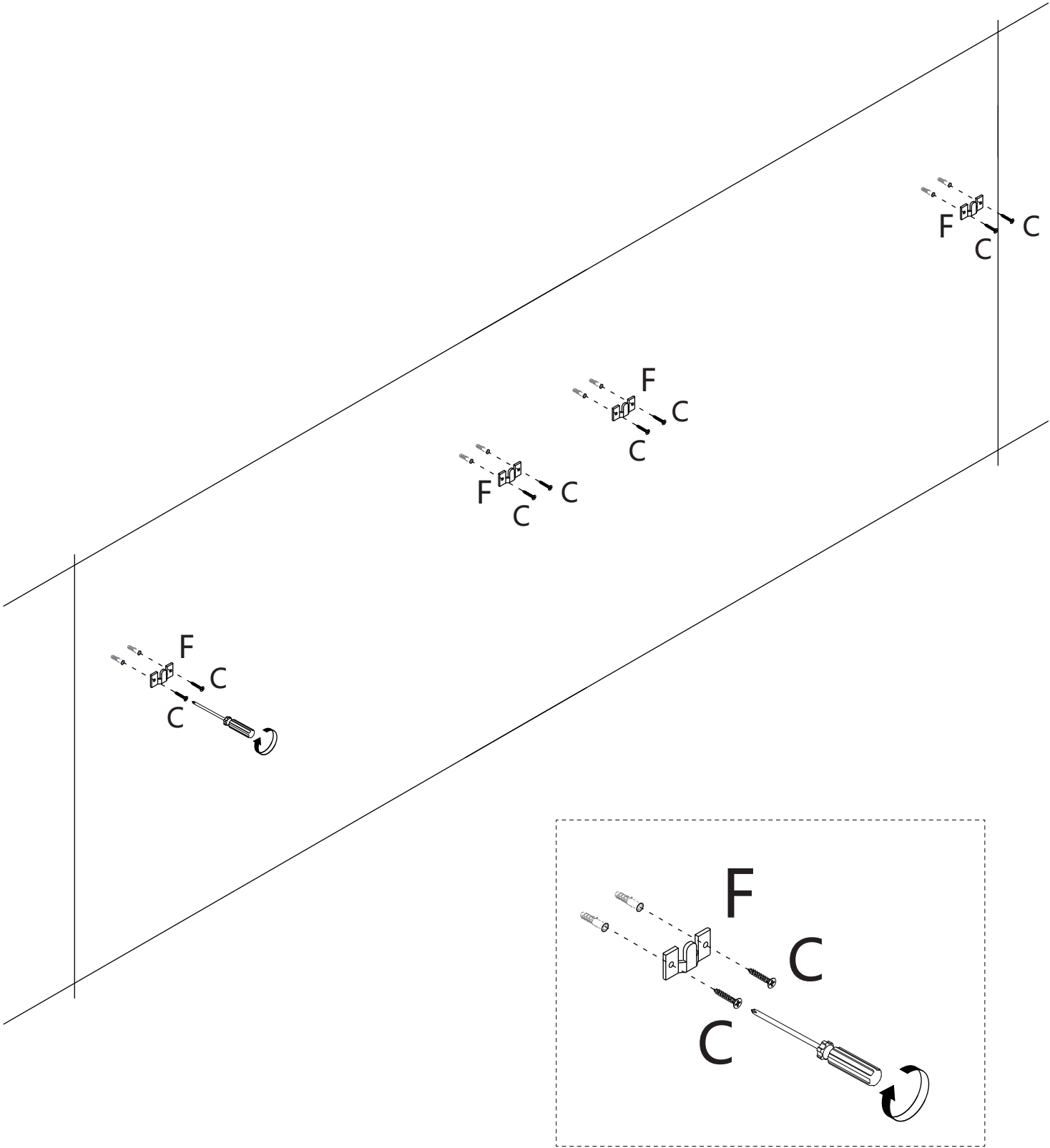
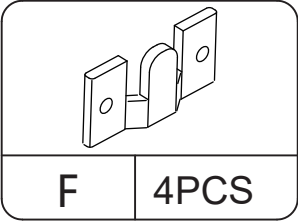
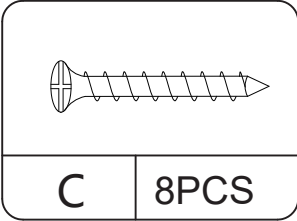
| | |
|---|------|
|  | |
| E | 6PCS |



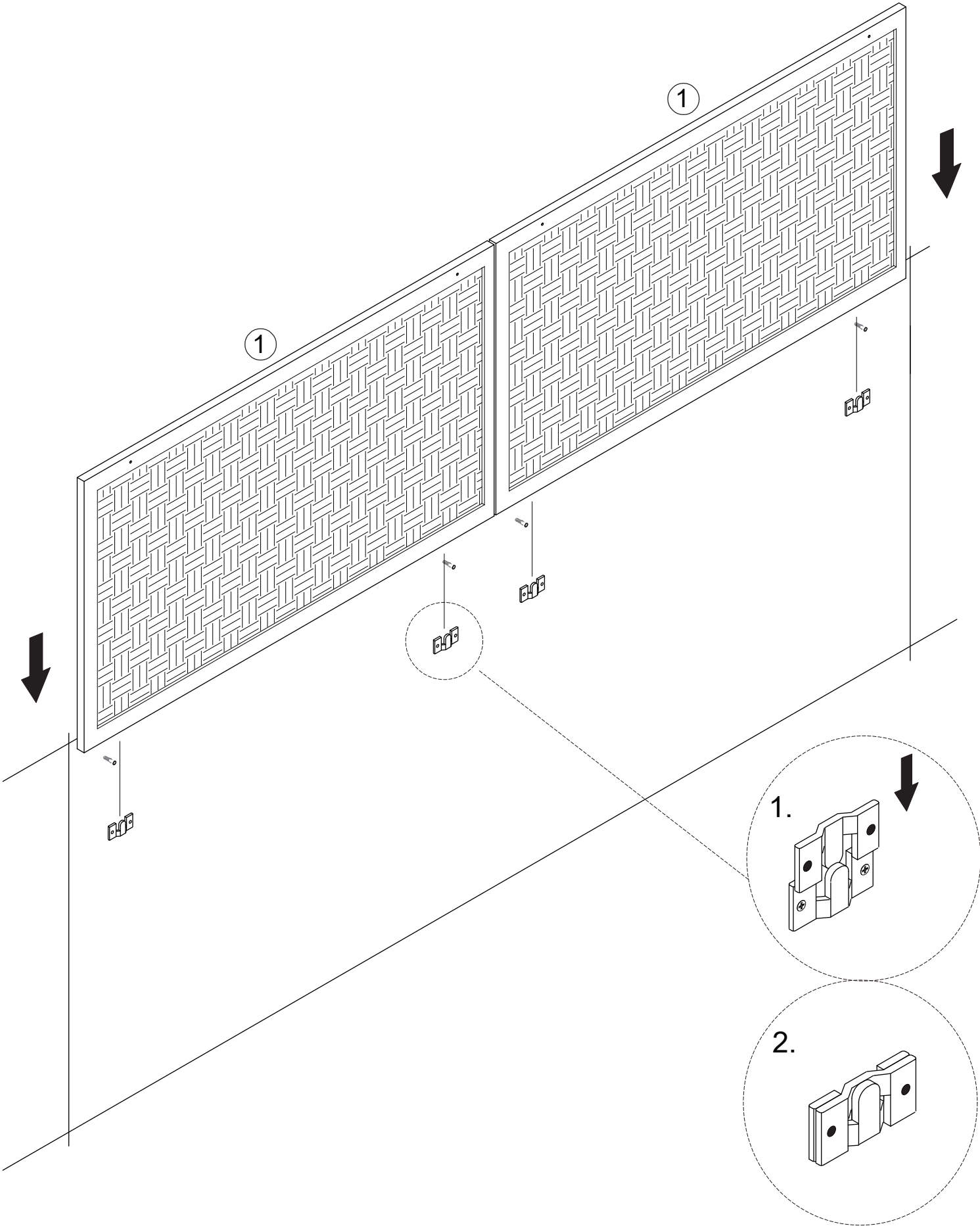
Step 3



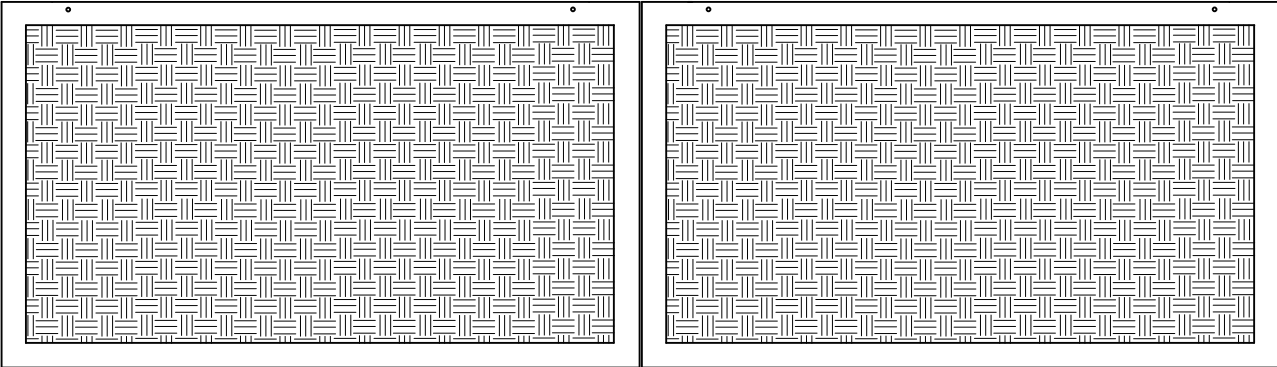
Step 4



Step 5



Step 6



Proper Use

- DO NOT** use for commercial purposes
- DO NOT** use as a step stool or stand on table
- DO NOT** put hot serving liquid directly on the table top
- DO NOT** leave spilled liquid on the table top
- DO NOT** use table if damaged
- DO NOT** exceed weight limit
- DO NOT** make temporary repairs
- DO NOT** use outdoor