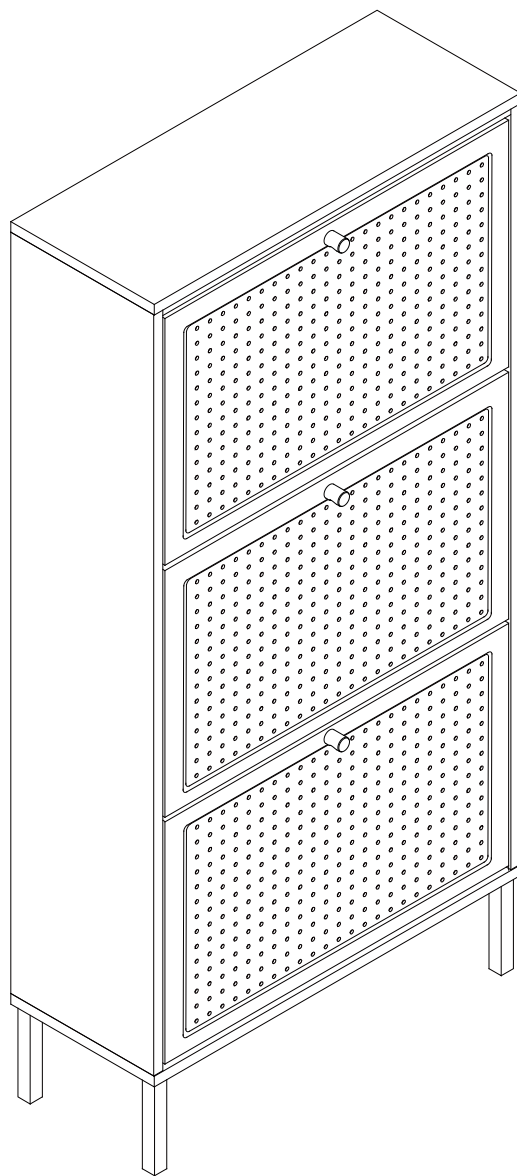


Installation Instruction



Product name

W68849315

Assembling

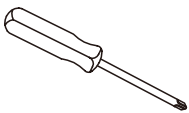
Estimated time for assembly



30 : 00

What you need

- Use the packaging carton as a working surface to prevent product damage during assembly
- Phillips head screwdriver



Weight Limitation



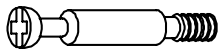
40 | **22**
lbs table top | lbs per drawer

What's included

Code	Description	Qty
A	Cam Bolt M6X35MM	8
B	Cam Lock 15X10MM	8
C	Screw M4X40MM	6
D	Screw M4X12MM	24
E	Screw M4X14MM	32
F	Screw M4X20MM	1
G	Nylon Strap	2
H	Anchor	2
I	Wooden Dowel M6X30MM	14
J	Inner shaft	6
K	Left Plastic holder	3
L	Right Plastic Holder	3
M	Plastic Stopper	6
N	External Shaft	6
O	Metal Leg	4
P	Bolt M4X18MM	3
Q	Handle	3

The Hardwares

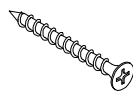
A



B



C



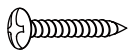
D



E



F



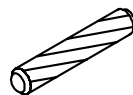
G



H



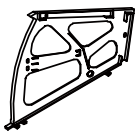
I



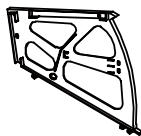
J



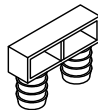
K



L



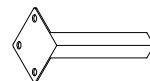
M



N



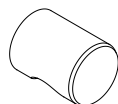
O



P



Q



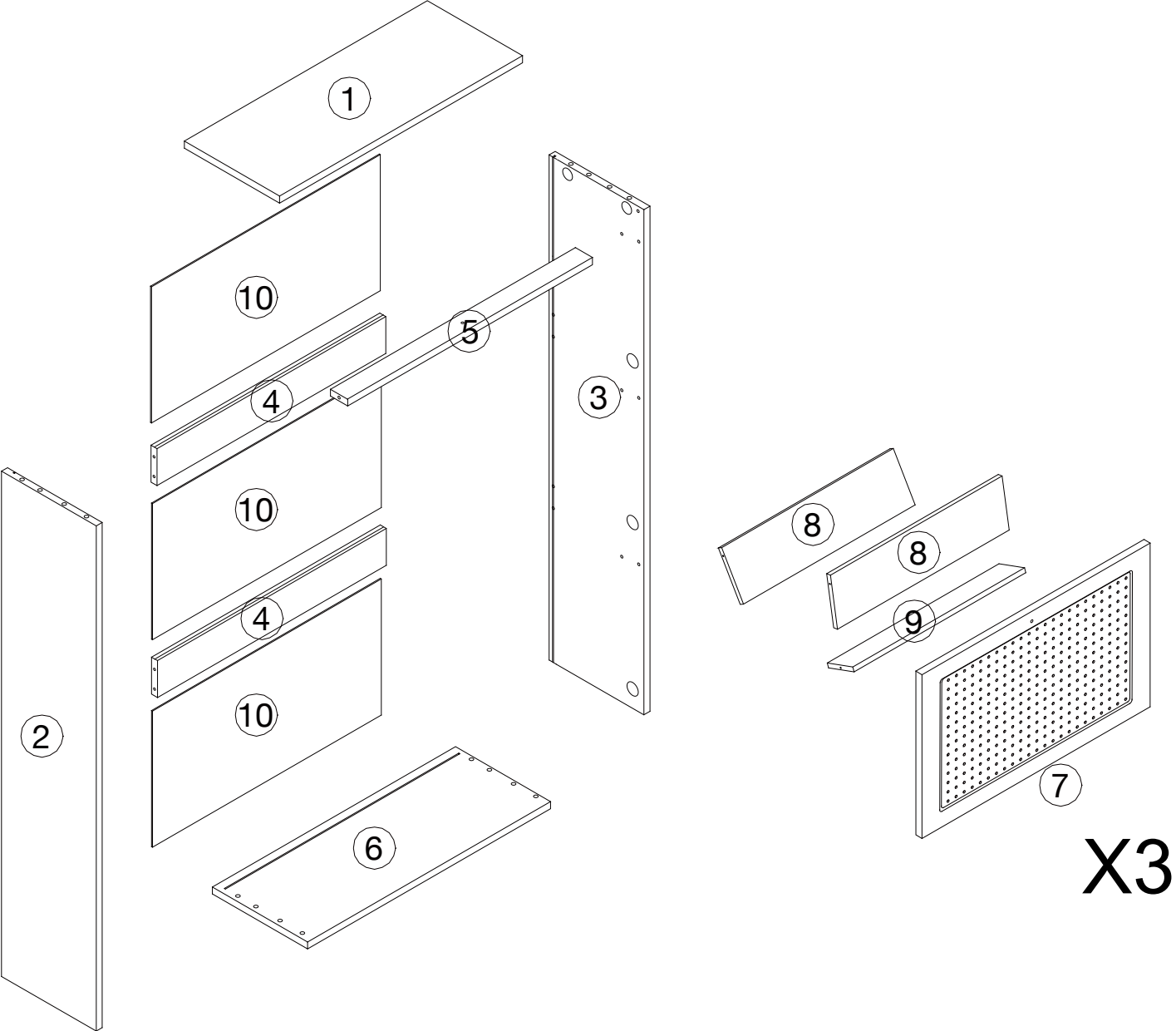
IMPORTANT:

1. Do not tighten bolts / screws completely until all bolts / screws are lined up and inserted into holes.
2. Do not over tighten screws and bolts to avoid stripping.
3. Please use hand tools to assemble this product. Do not use power tools.

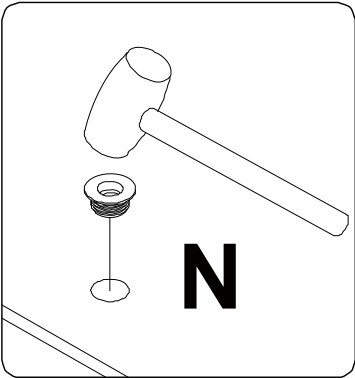
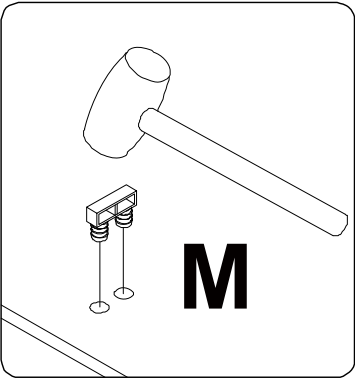
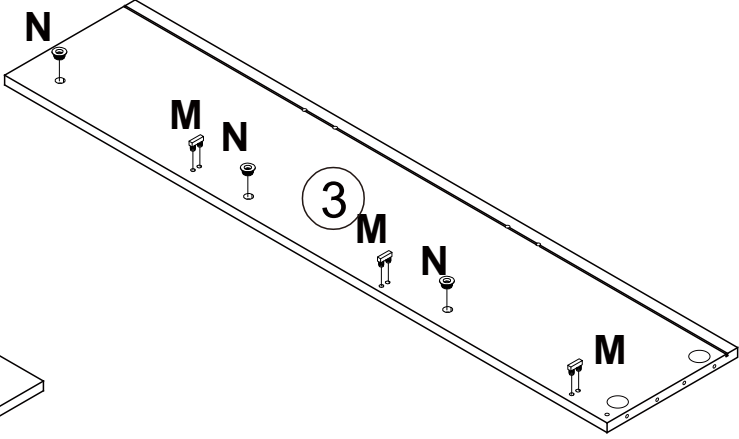
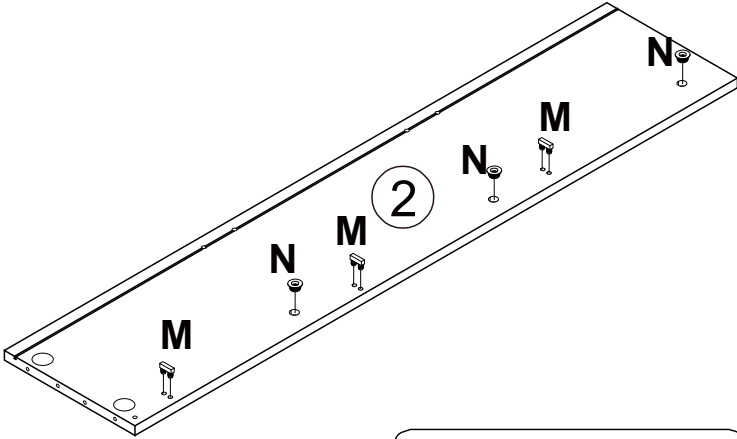
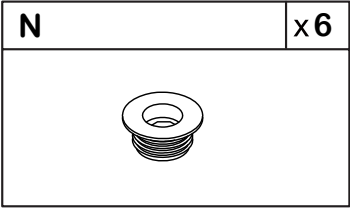
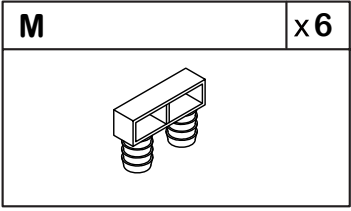
Included Accessories

Code	Description	Qty
1	Cabinet Top	1
2	Left Side Panel	1
3	Right Side Panel	1
4	Rear Stretcher	2
5	Top Stretcher	1
6	Bottom Panel	1
7	Metal Door	3
8	Small Partition Board	6
9	Large Clapboard	3
10	Back Panel	3

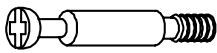

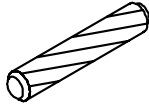
The Accessoriess

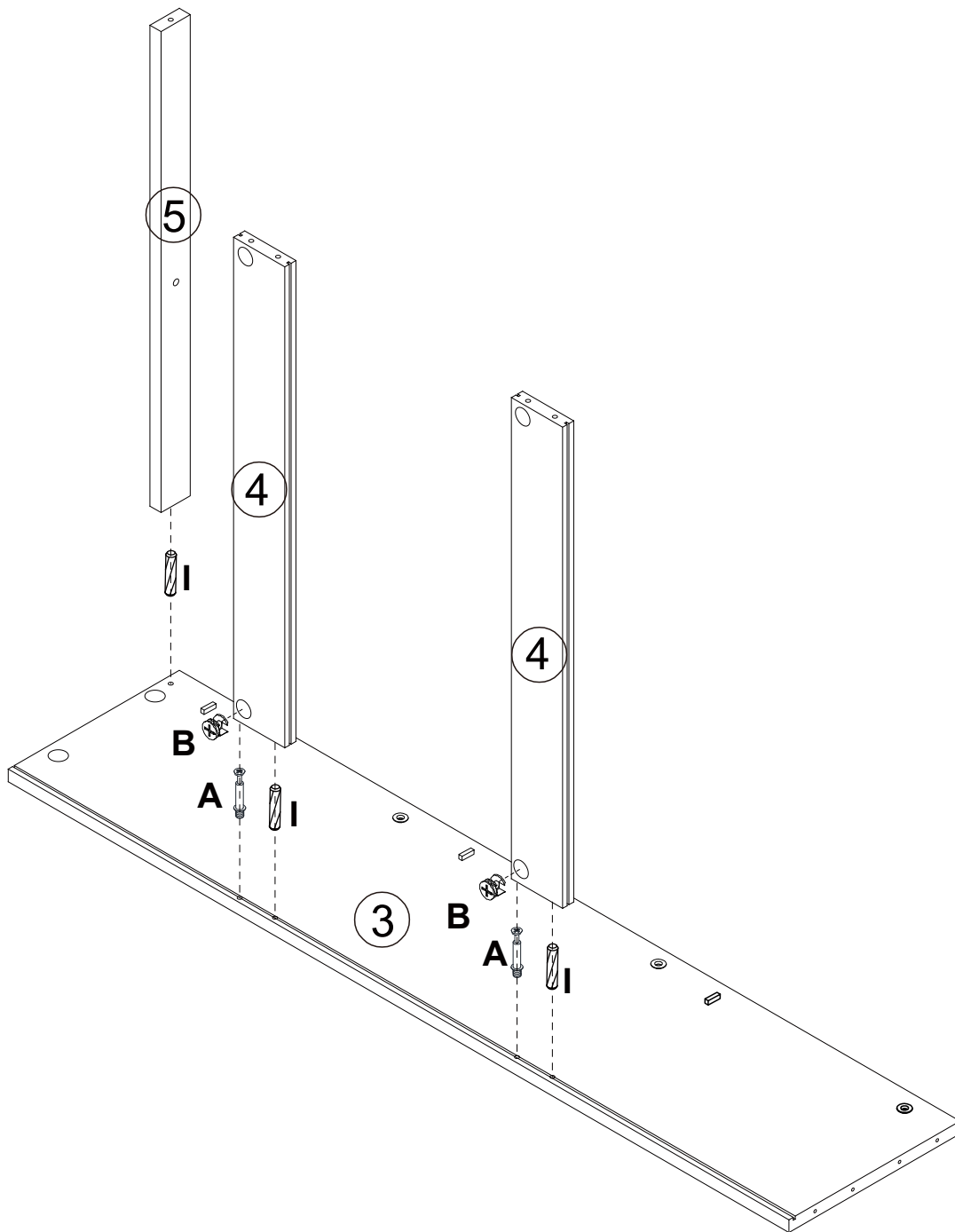


Step 1




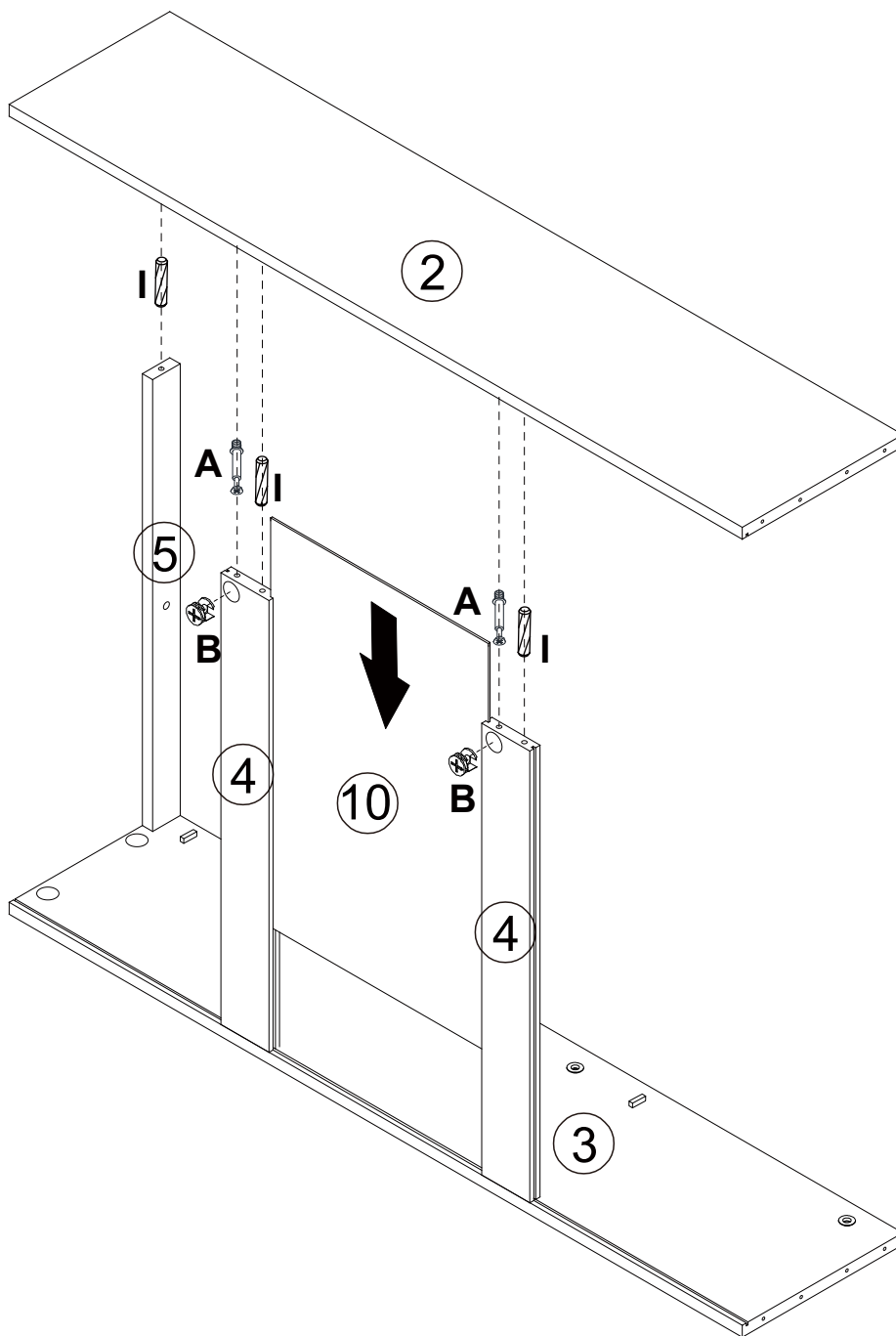
Step 2

A	x 2	B	x 2	I	x 3
					

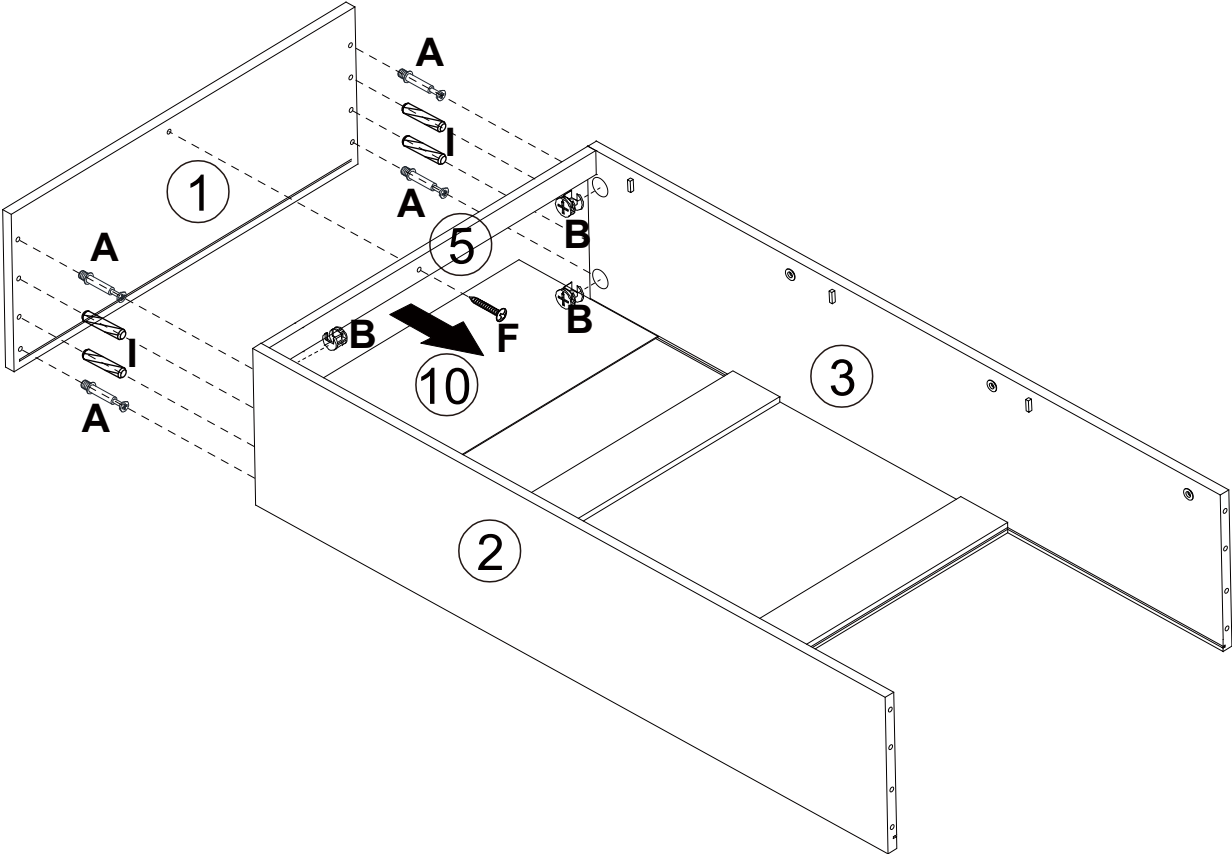
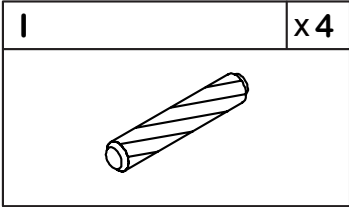
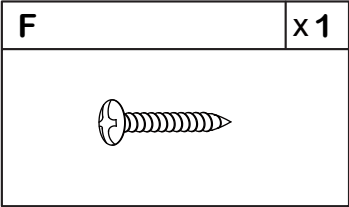
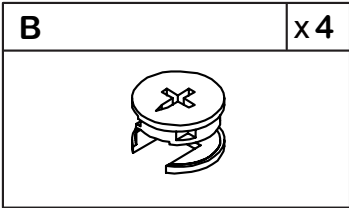
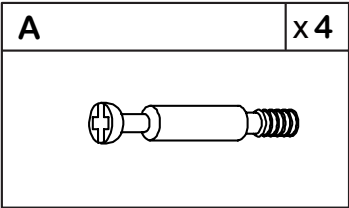


Step 3

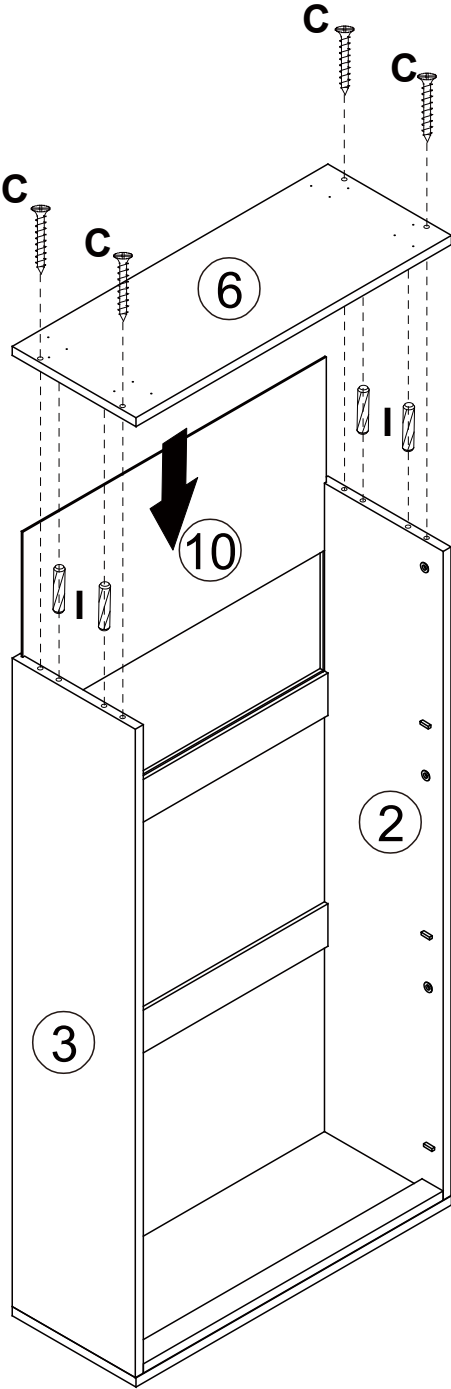
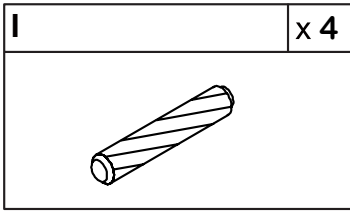
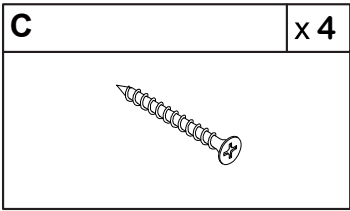
A	x 2	B	x 2	I	x 3
					



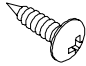
Step 4

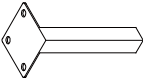


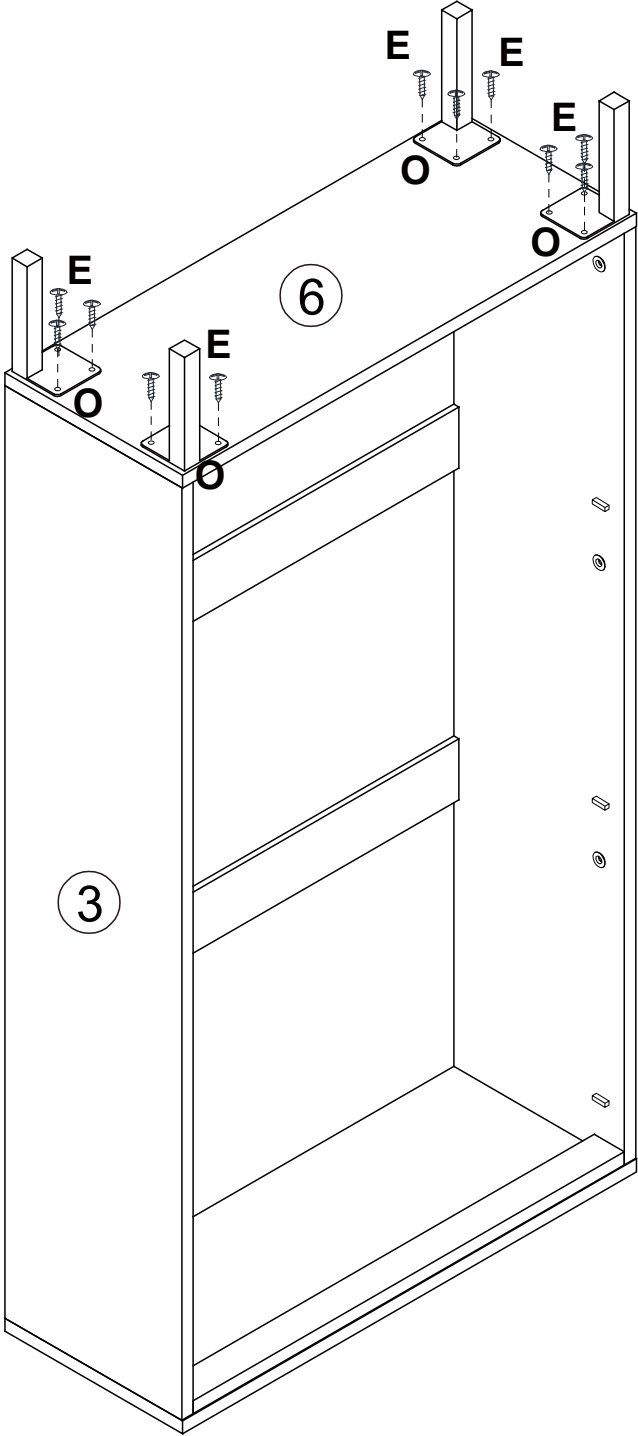
Step 5



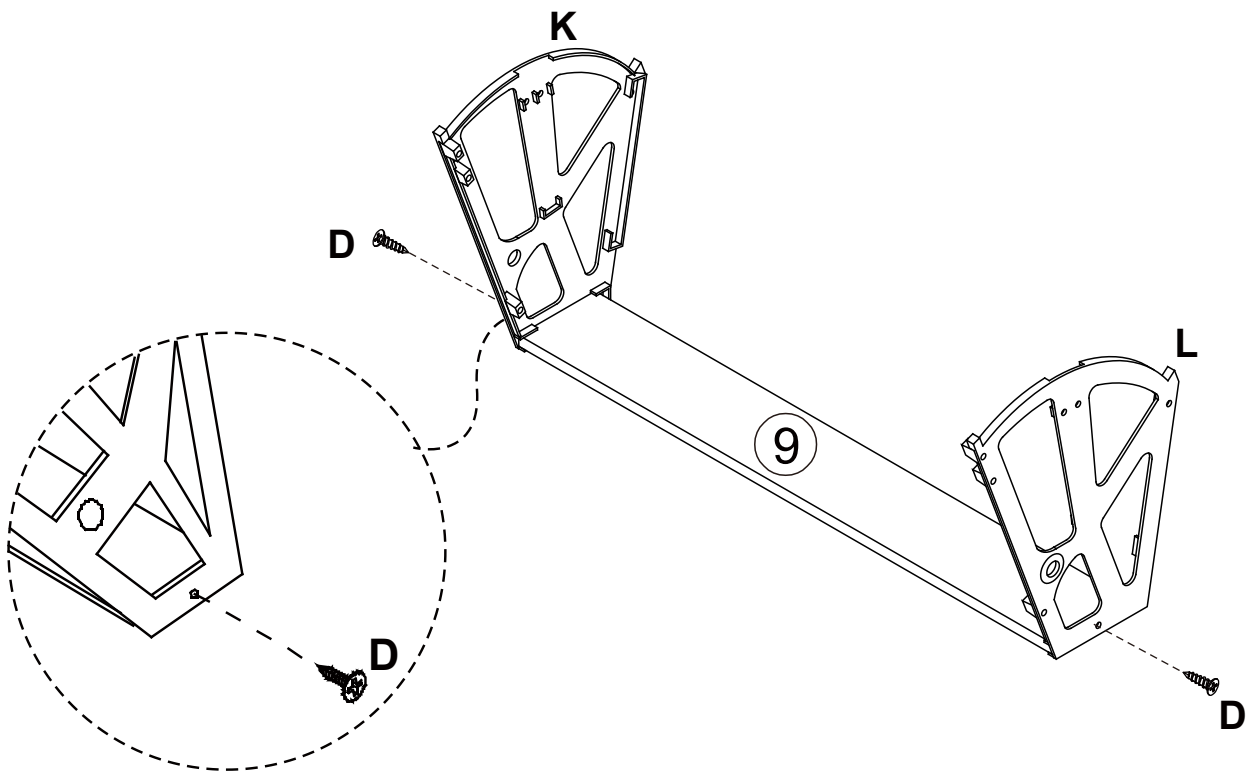
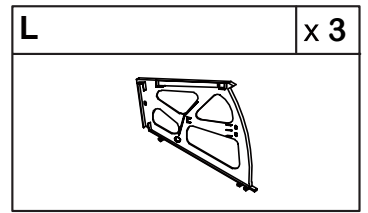
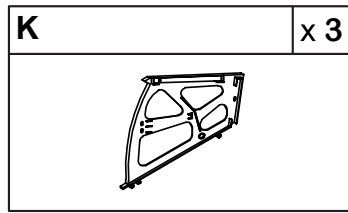
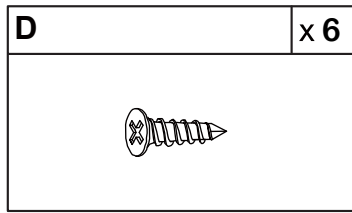
Step 6

E	x12
	

O	x4
	

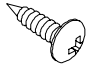

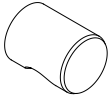


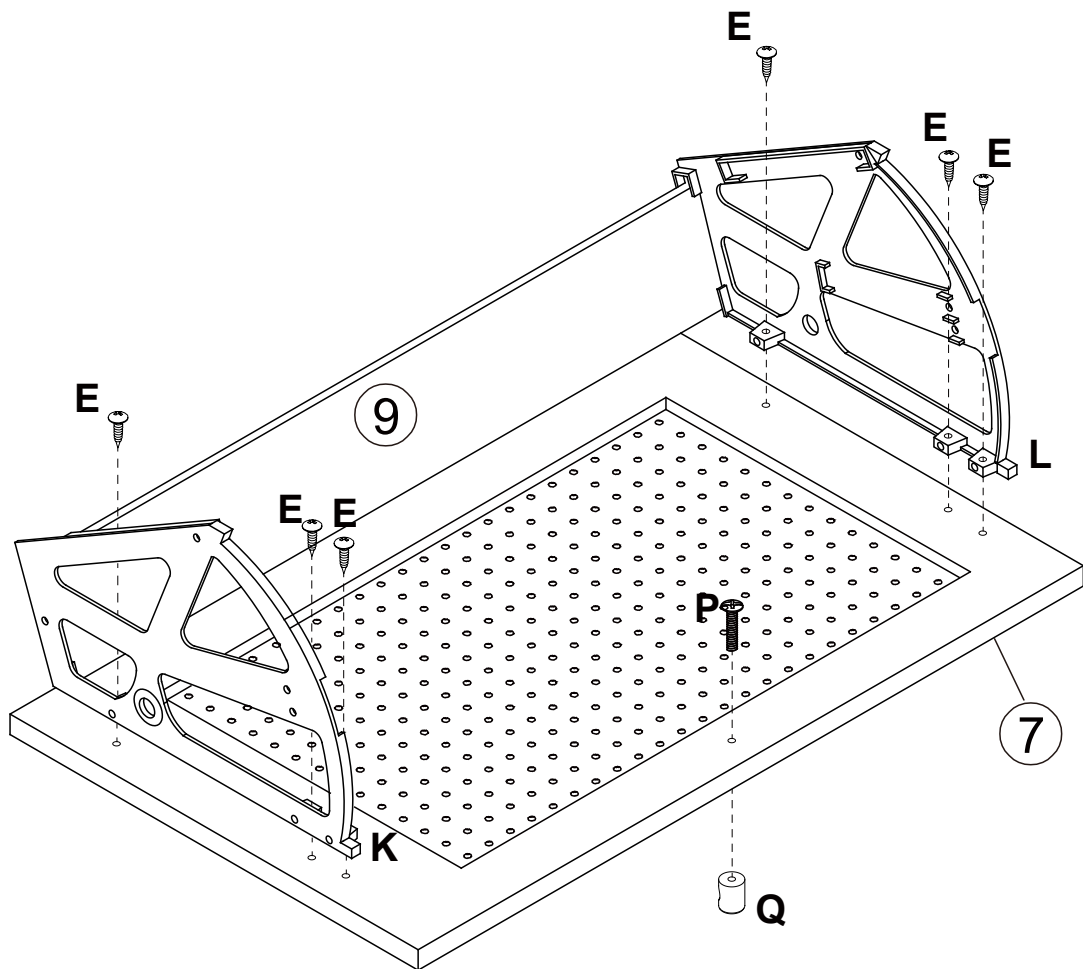
Step 7



X3


Step 8

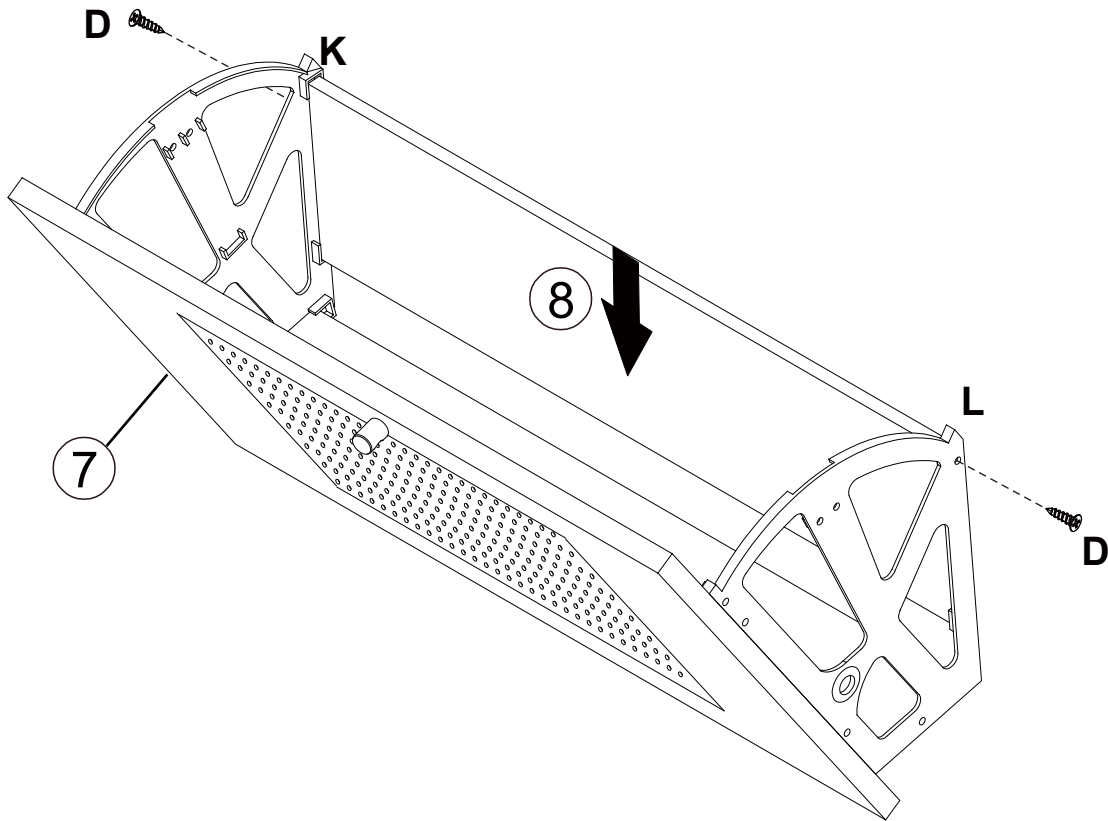
E	x18	P	x3	Q	x3
					



X3



Step 9

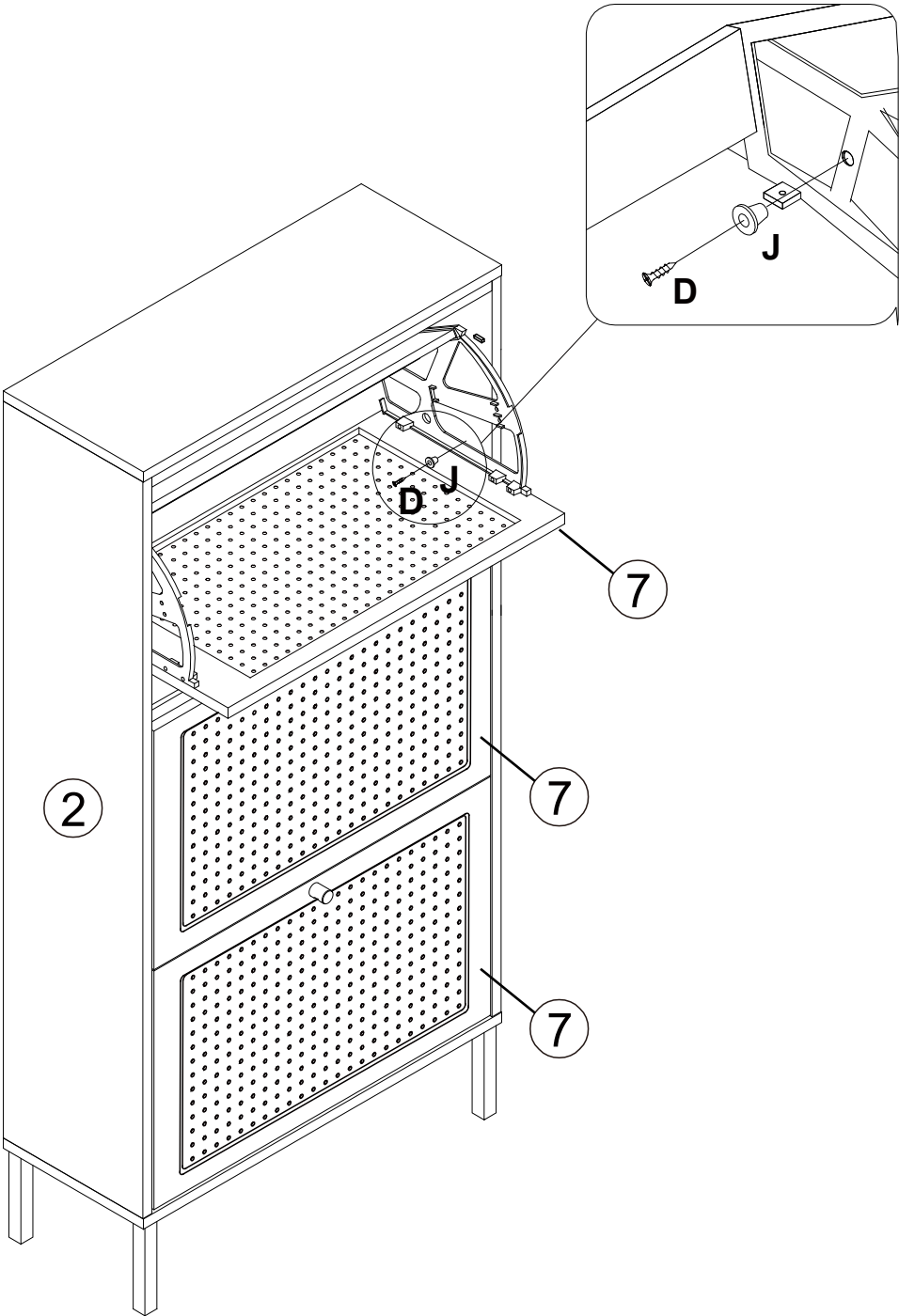
D	x6
	




X3

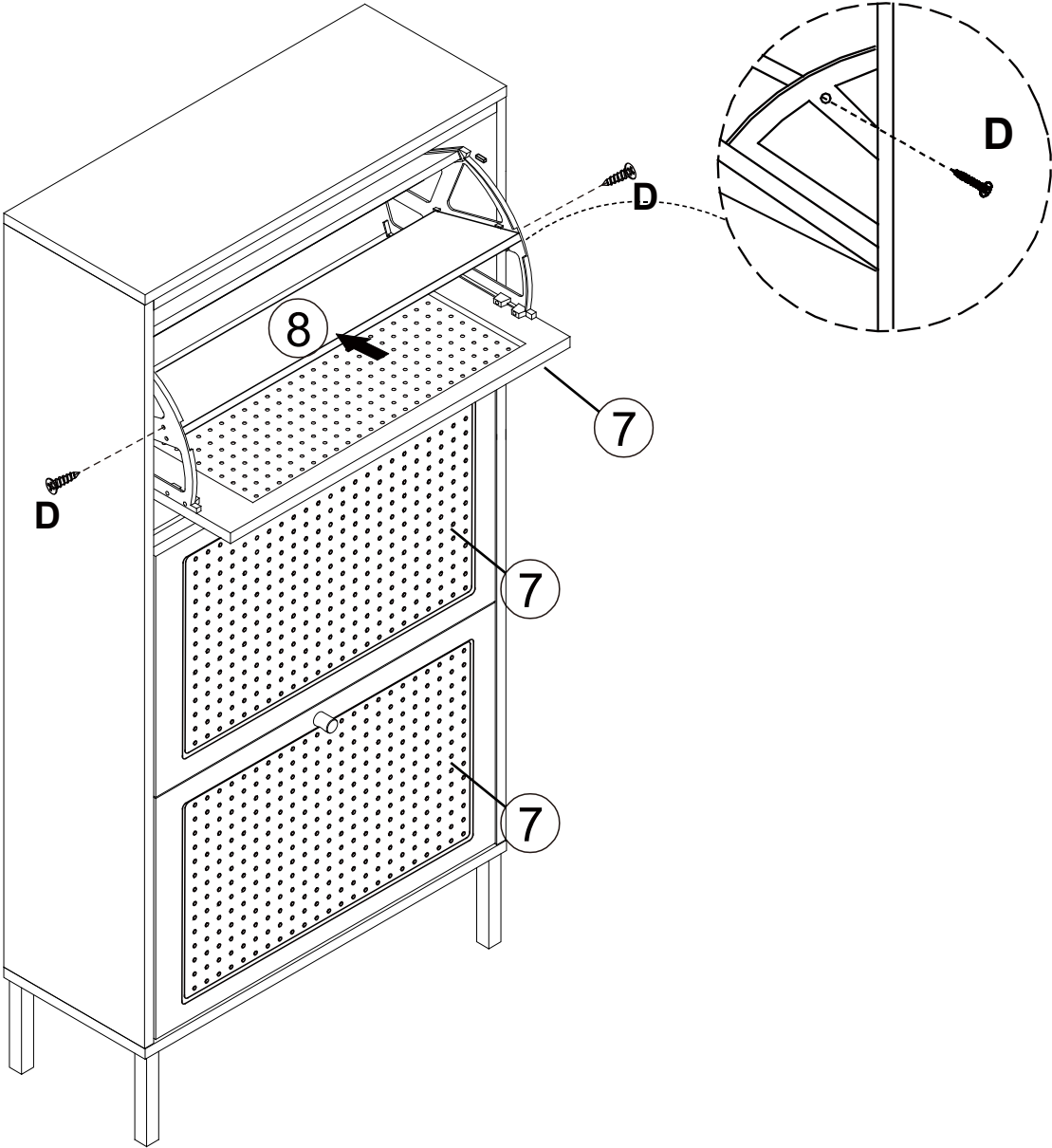
Step 10

D	x6	J	x6
			

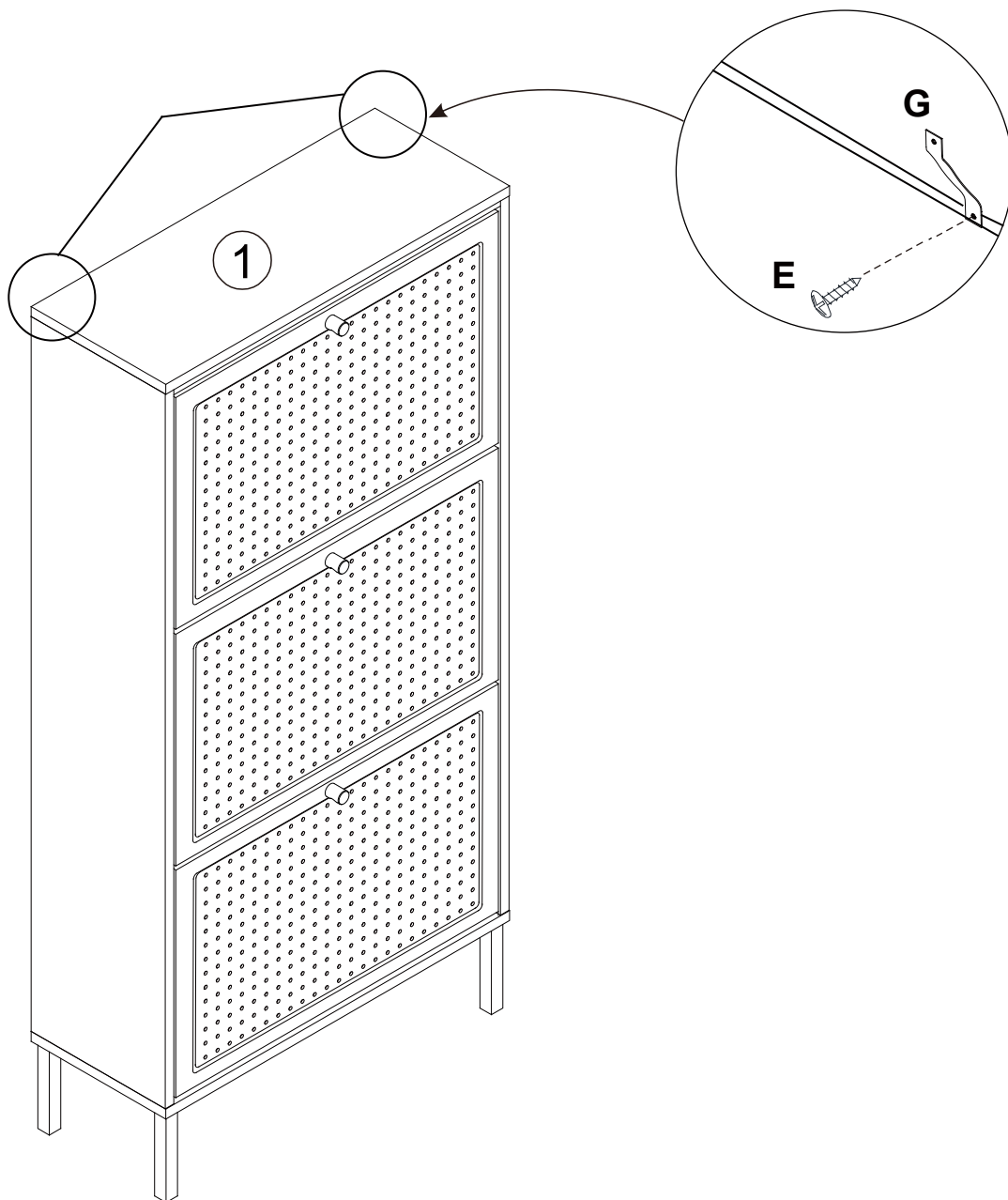
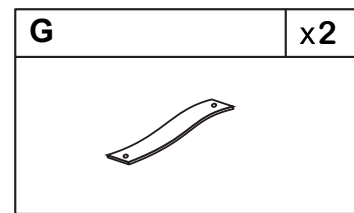
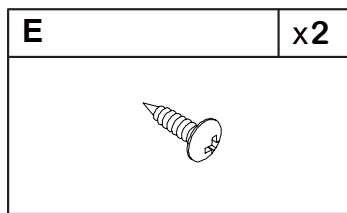


Step 11

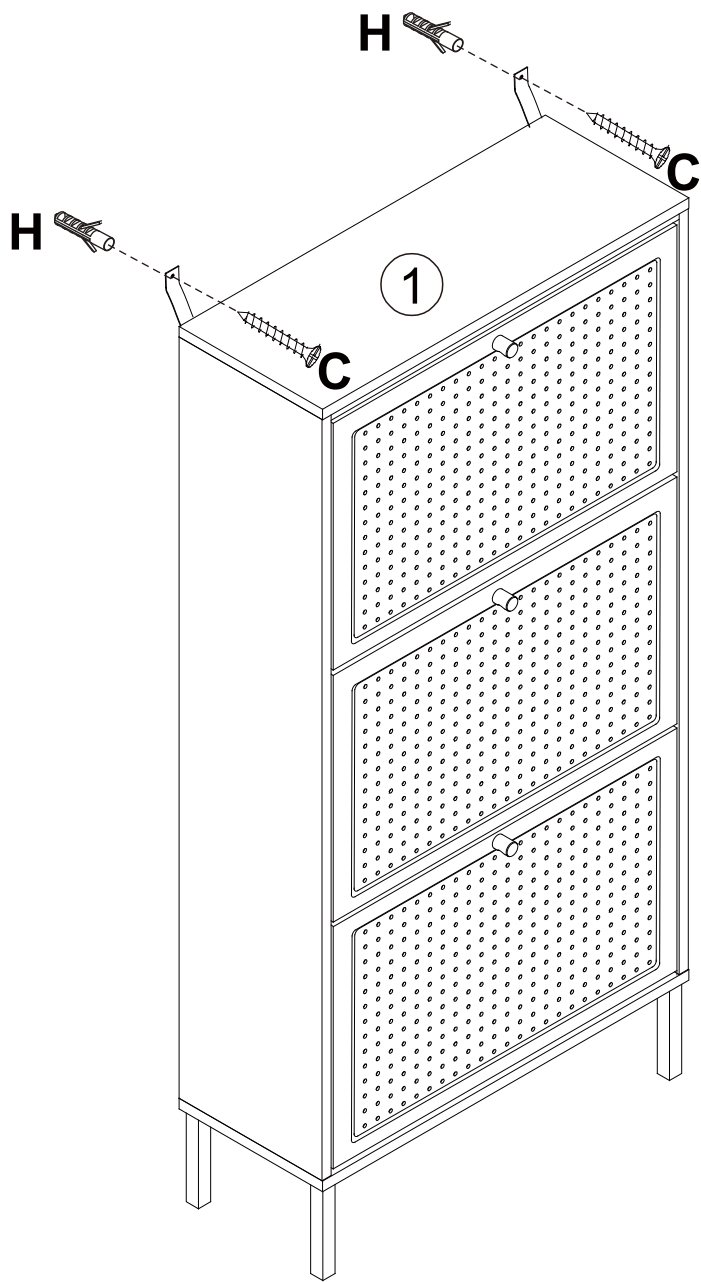
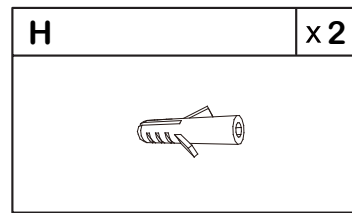
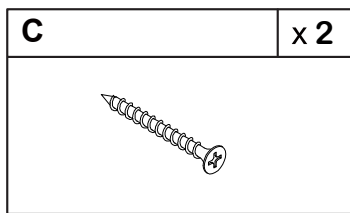
D	x6
	



Step 12



Step 13



Proper Use

- DO NOT** use for commercial purposes
- DO NOT** use as a step stool or stand on table
- DO NOT** put hot serving liquid directly on the table top
- DO NOT** leave spilled liquid on the table top
- DO NOT** use table if damaged
- DO NOT** exceed weight limit
- DO NOT** make temporary repairs
- DO NOT** use outdoor