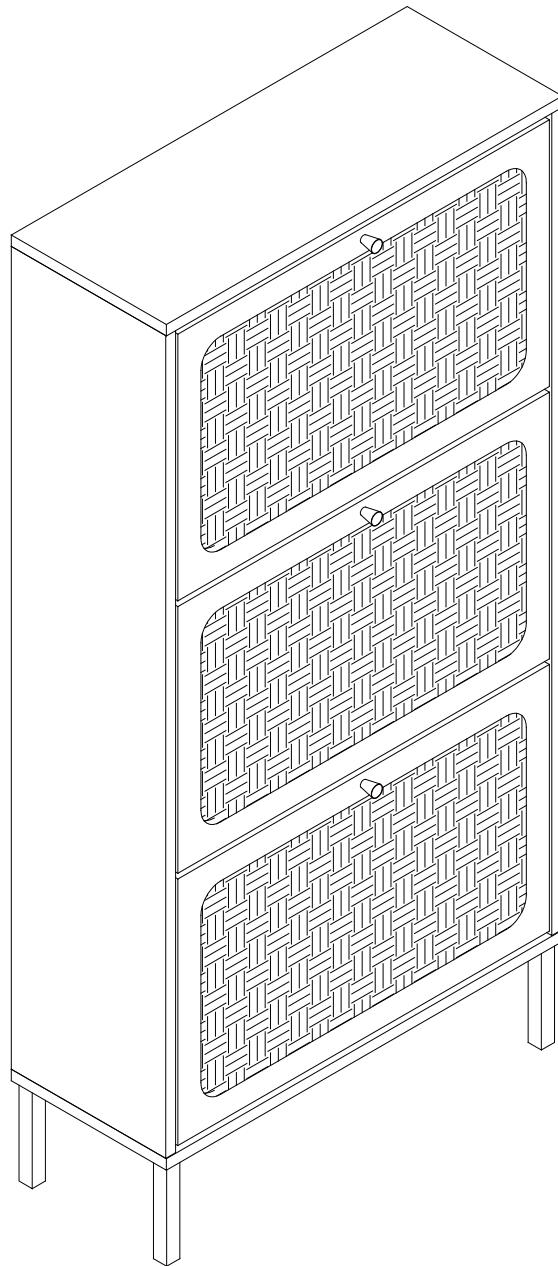


# Installation Instruction



Product name

---

**W68849113**

# Assembling

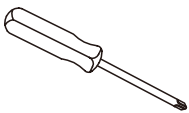
## Estimated time for assembly



**30 : 00**

## What you need

- Use the packaging carton as a working surface to prevent product damage during assembly
- Phillips head screwdriver



## Weight Limitation



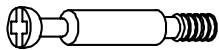
**40** | **22**  
lbs table top | lbs per drawer

# What's included

Code	Description	Qty
A	Cam Bolt M6X35MM	8
B	Cam Lock 15X10MM	8
C	Screw M4X40MM	6
D	Screw M4X14MM	42
E	Screw M4X14MM	12
F	Screw M4X20MM	3
G	Handle	3
H	Plastic Expansion Nut	2
I	Wooden Dowel M6X30MM	12
J	Inner shaft	6
K	Left Plastic holder	3
L	Right Plastic Holder	3
M	Plastic Stopper	6
N	External Shaft	6
O	Metal Leg	4
P	Connection Accessory	1

# The Hardwares

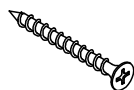
A



B



C



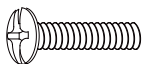
D



E



F



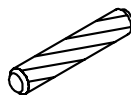
G



H



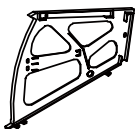
I



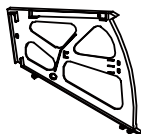
J



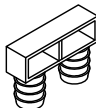
K



L



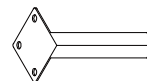
M



N



O



P



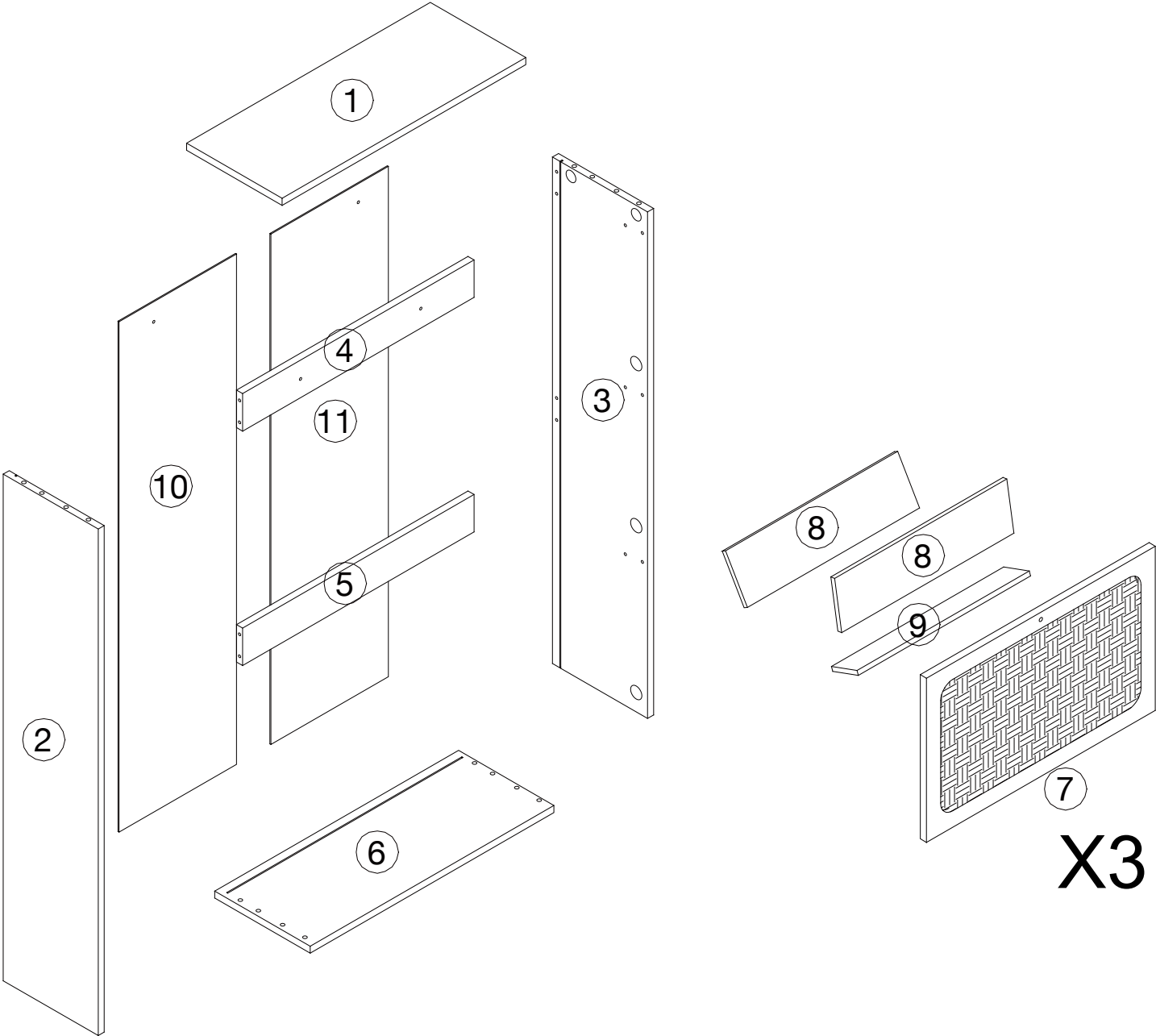
## IMPORTANT:

1. Do not tighten bolts / screws completely until all bolts / screws are lined up and inserted into holes.
2. Do not over tighten screws and bolts to avoid stripping.
3. Please use hand tools to assemble this product. Do not use power tools.

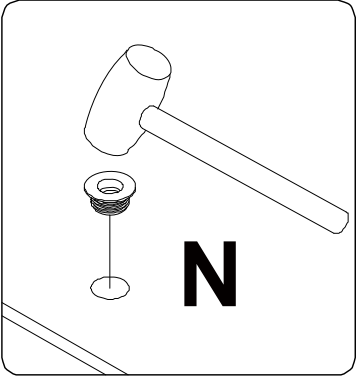
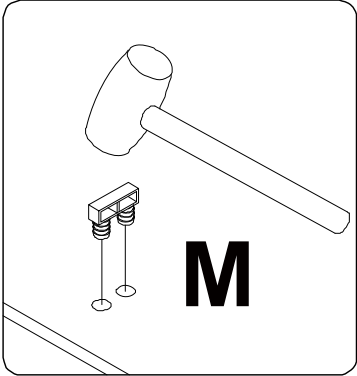
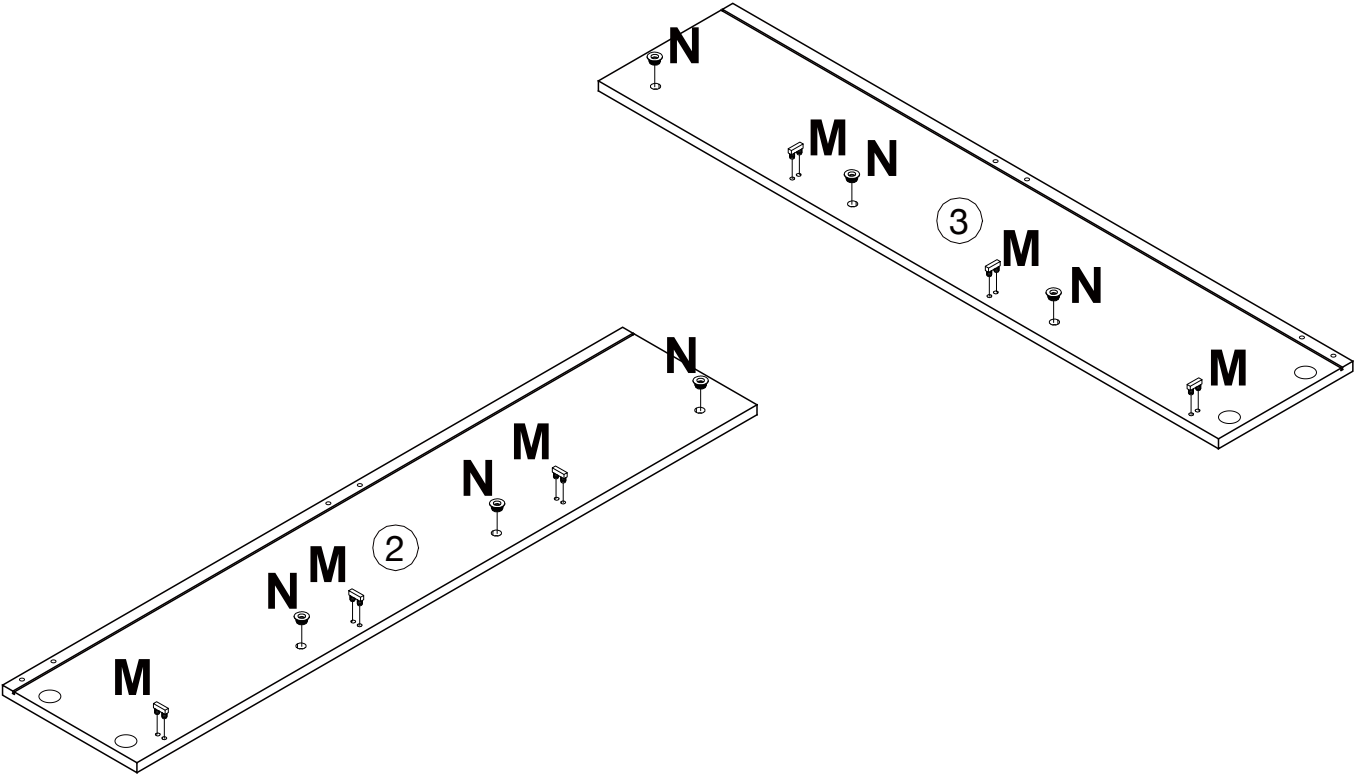
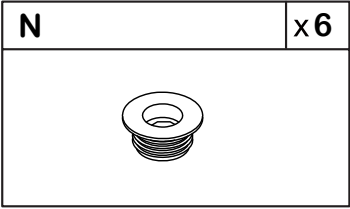
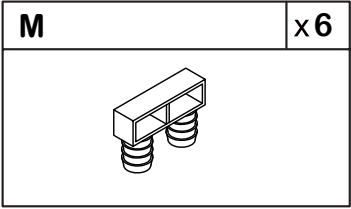
# Included Accessories

<b>Code</b>	<b>Description</b>	<b>Qty</b>
1	Cabinet Top	1
2	Left Side Panel	1
3	Right Side Panel	1
4	Rear Stretcher	1
5	Top Stretcher	1
6	Bottom Panel	1
7	Front Door Panel	3
8	Small Partition Board	6
9	Large Clapboard	3
10	Back Panel	1
11	Back Panel	1

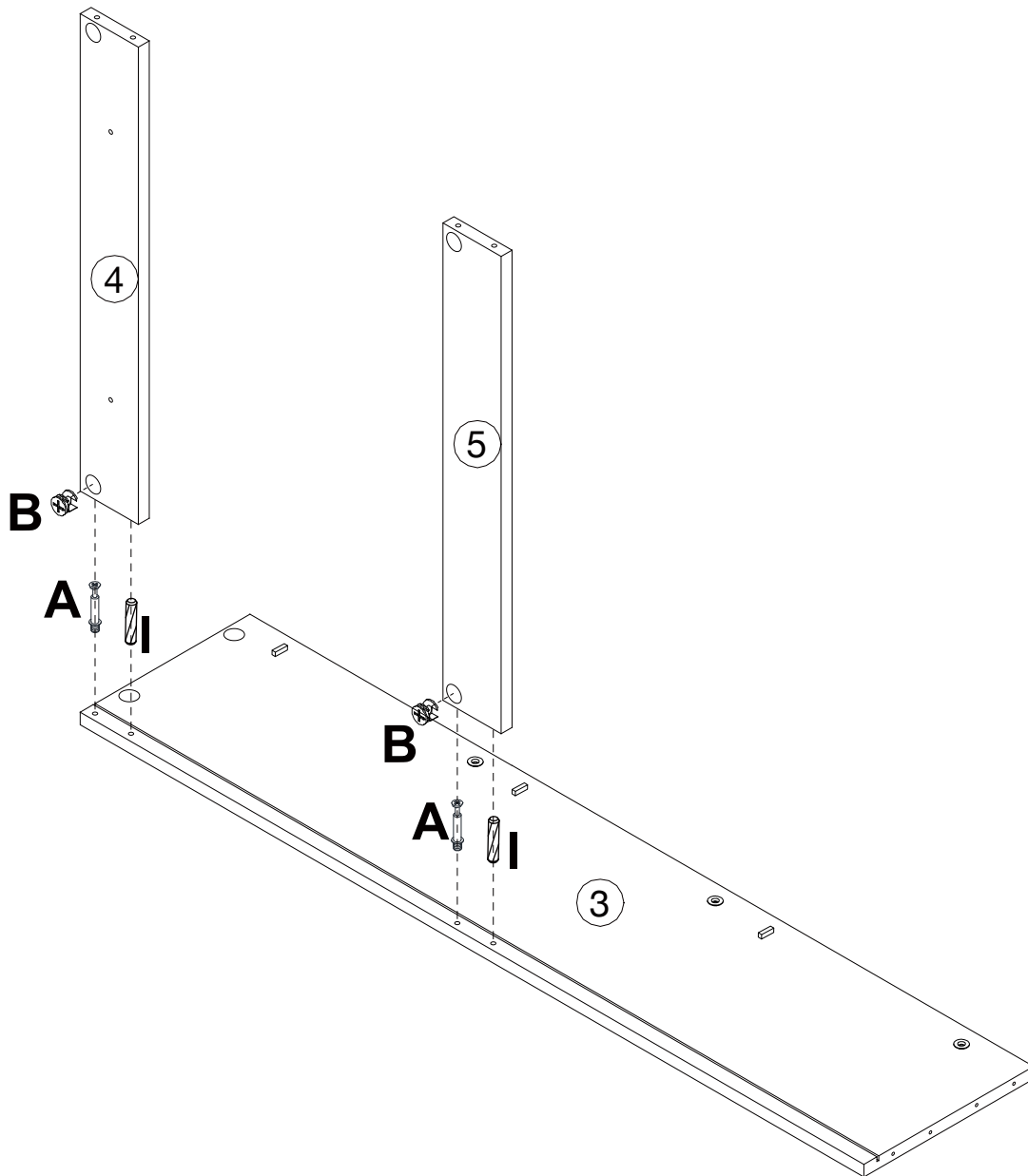
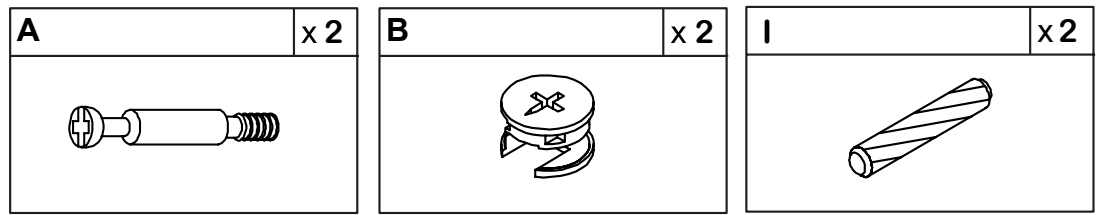
# The Accessoriess



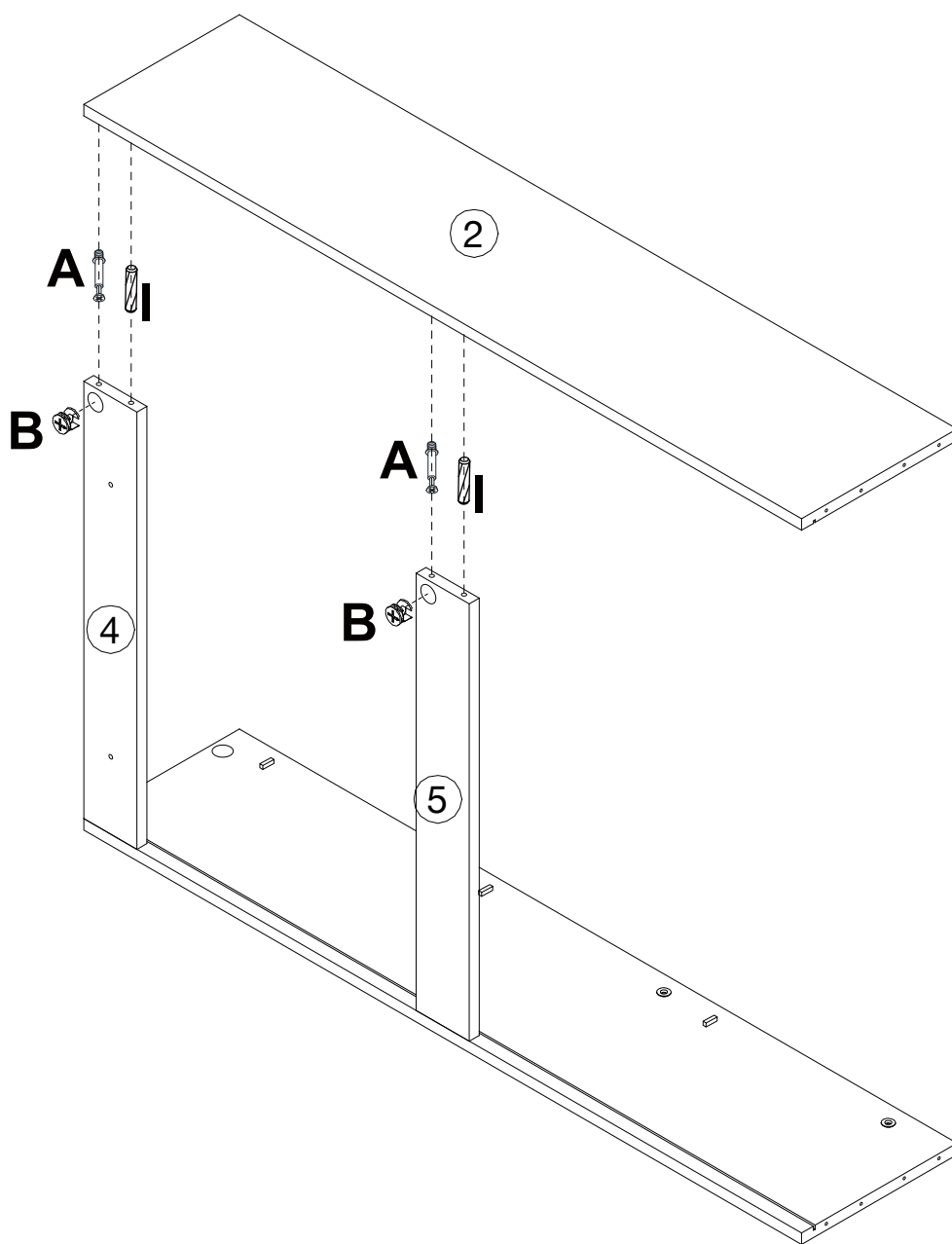
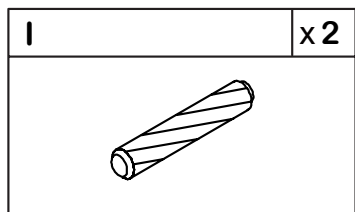
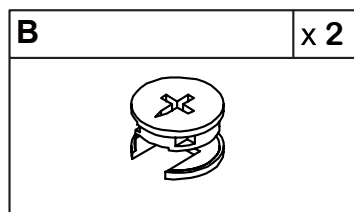
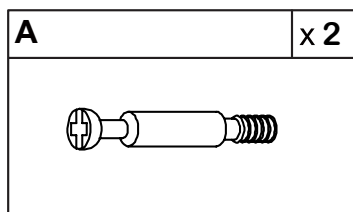
# Step 1



# Step 2

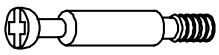

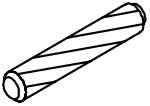


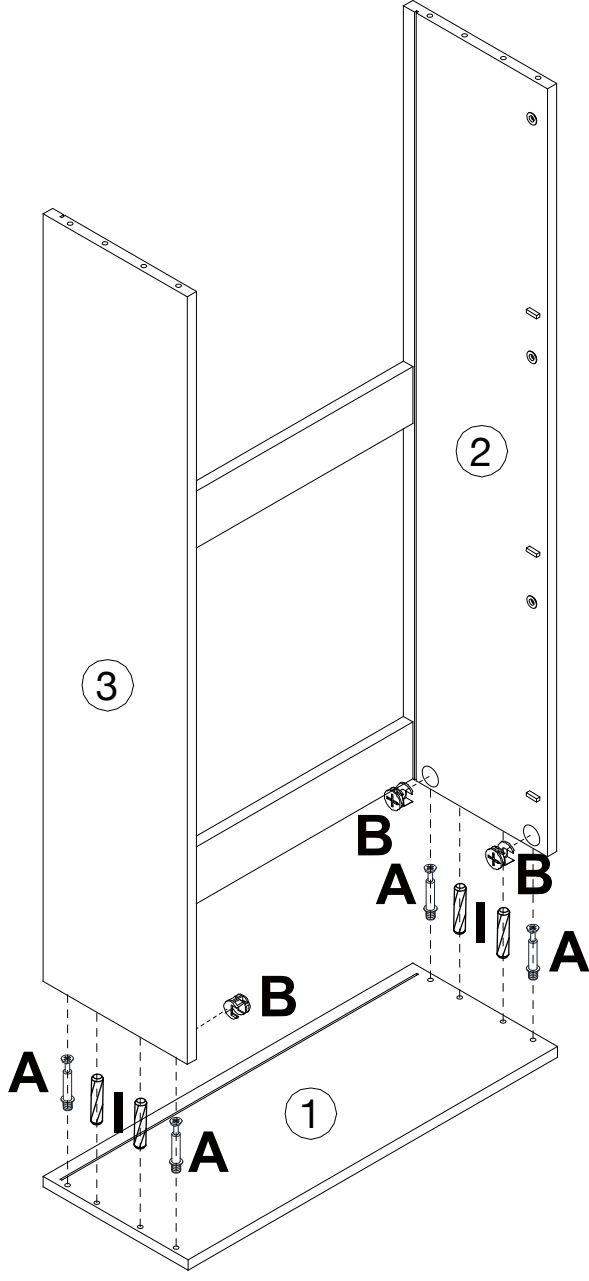
# Step 3



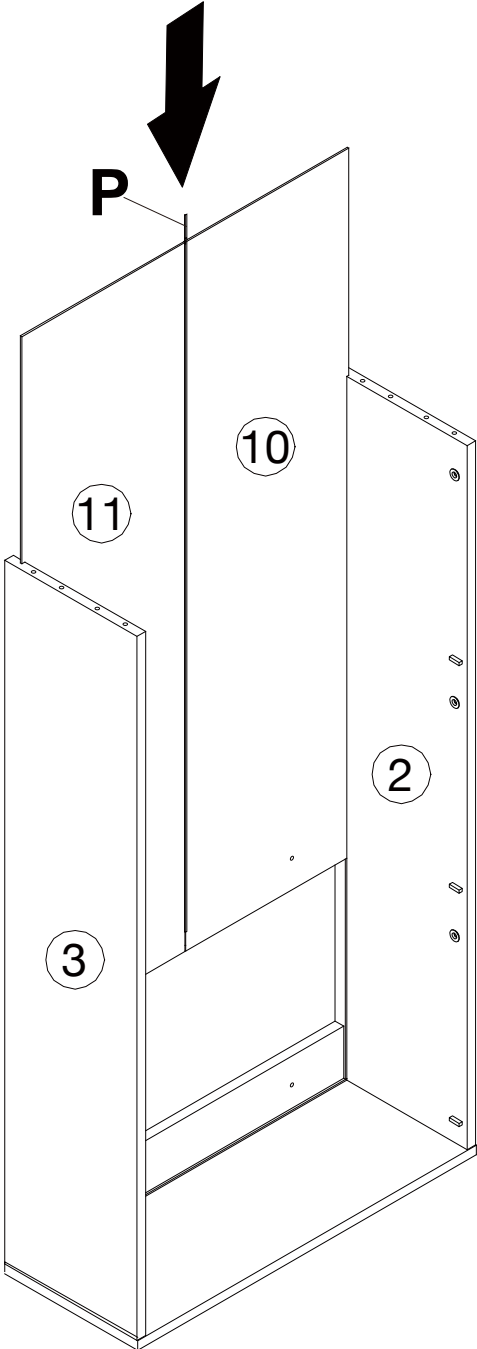
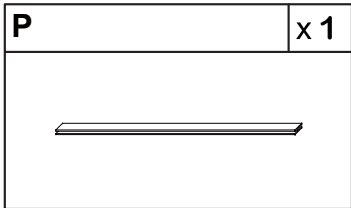


# Step 4

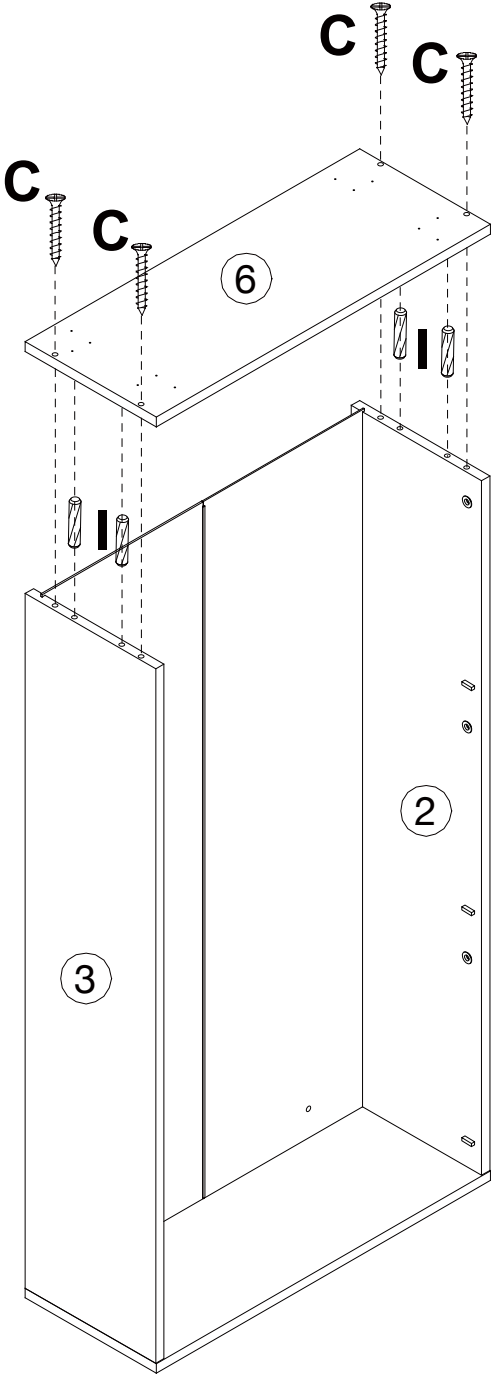
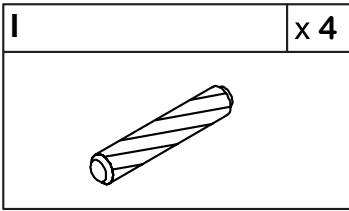
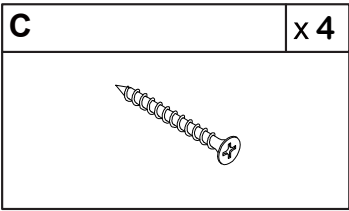
<b>A</b>	x 4	<b>B</b>	x 4	<b>I</b>	x 4
					



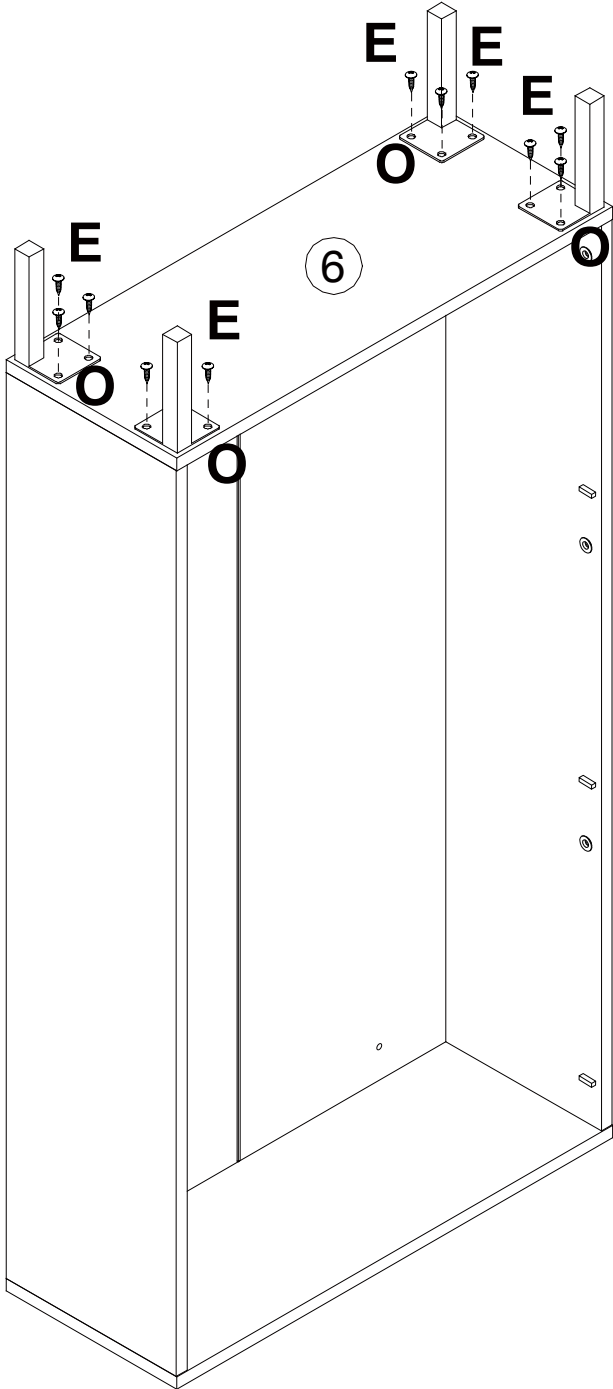
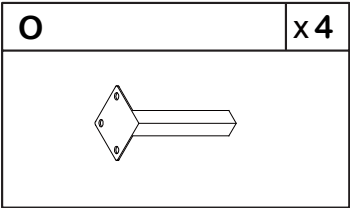
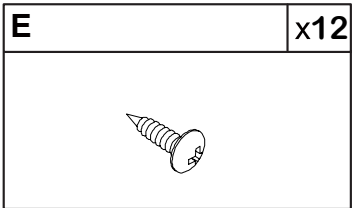
# Step 5



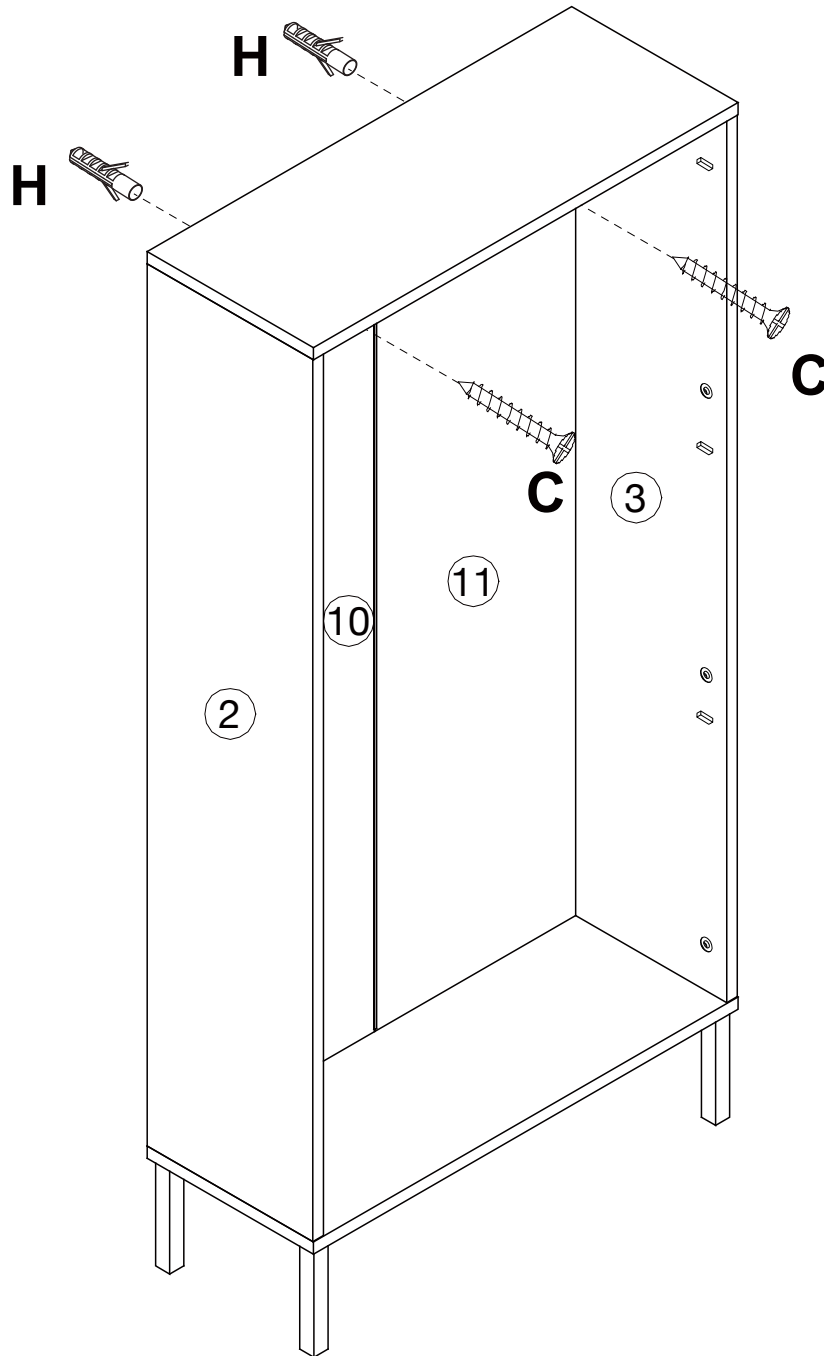
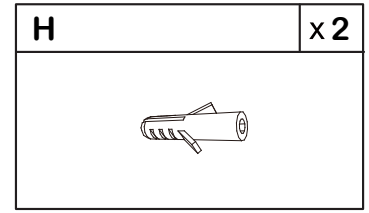
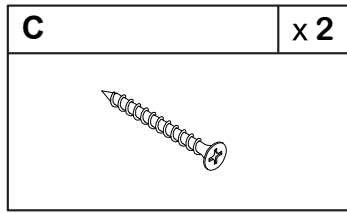
# Step 6



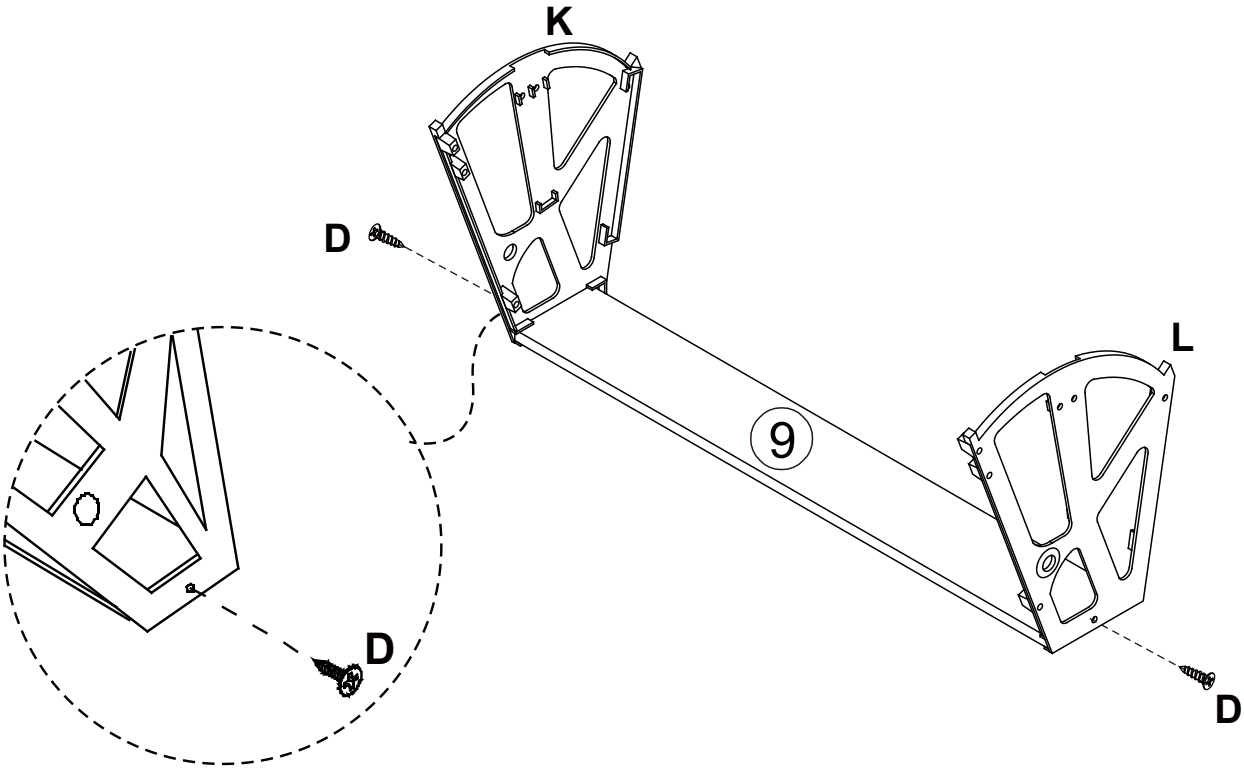
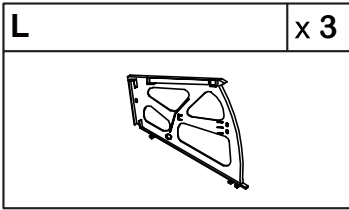
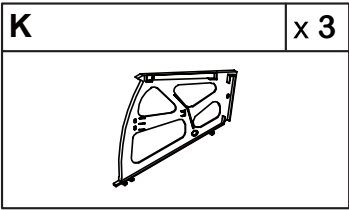
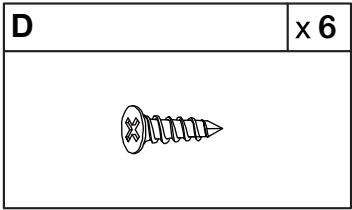
# Step 7



# Step 8


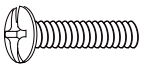
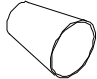


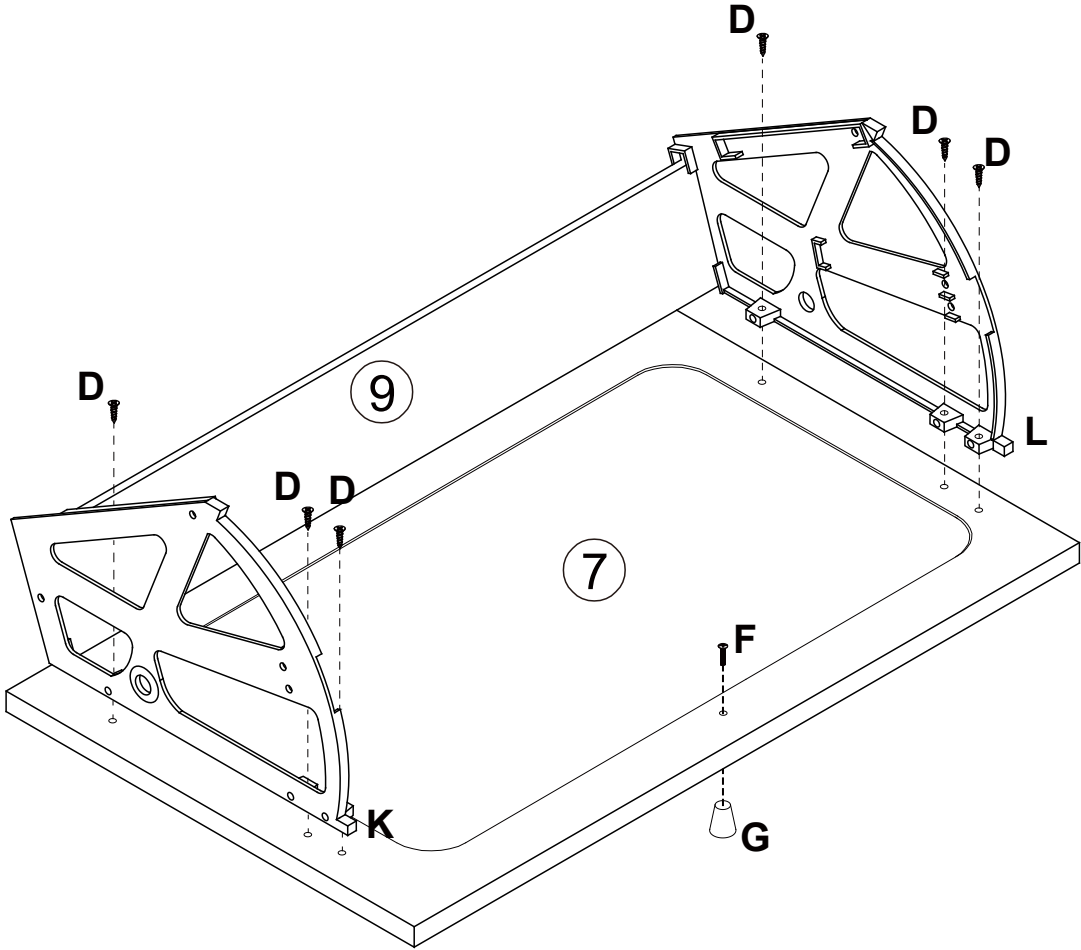
# Step 9



**X3**


# Step 10

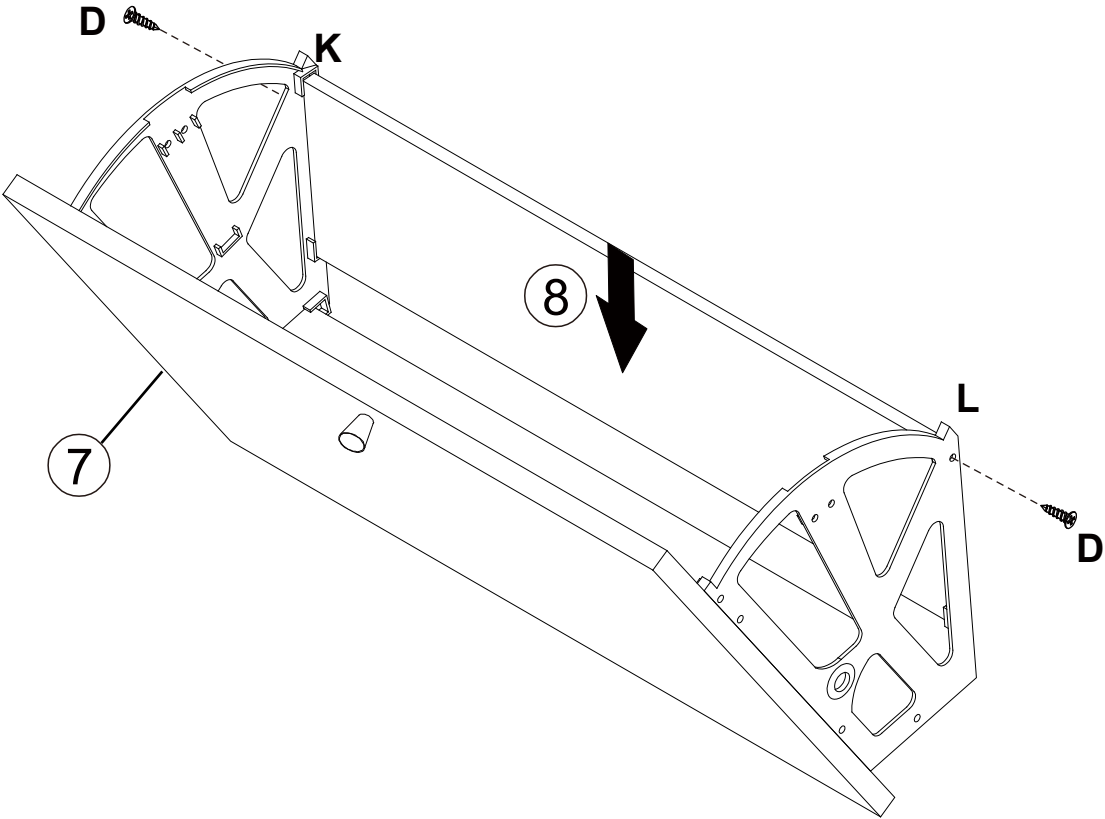
<b>D</b>	<b>x18</b>	<b>F</b>	<b>x3</b>	<b>G</b>	<b>x3</b>
					



**X3**

# Step 11


D	x6
	




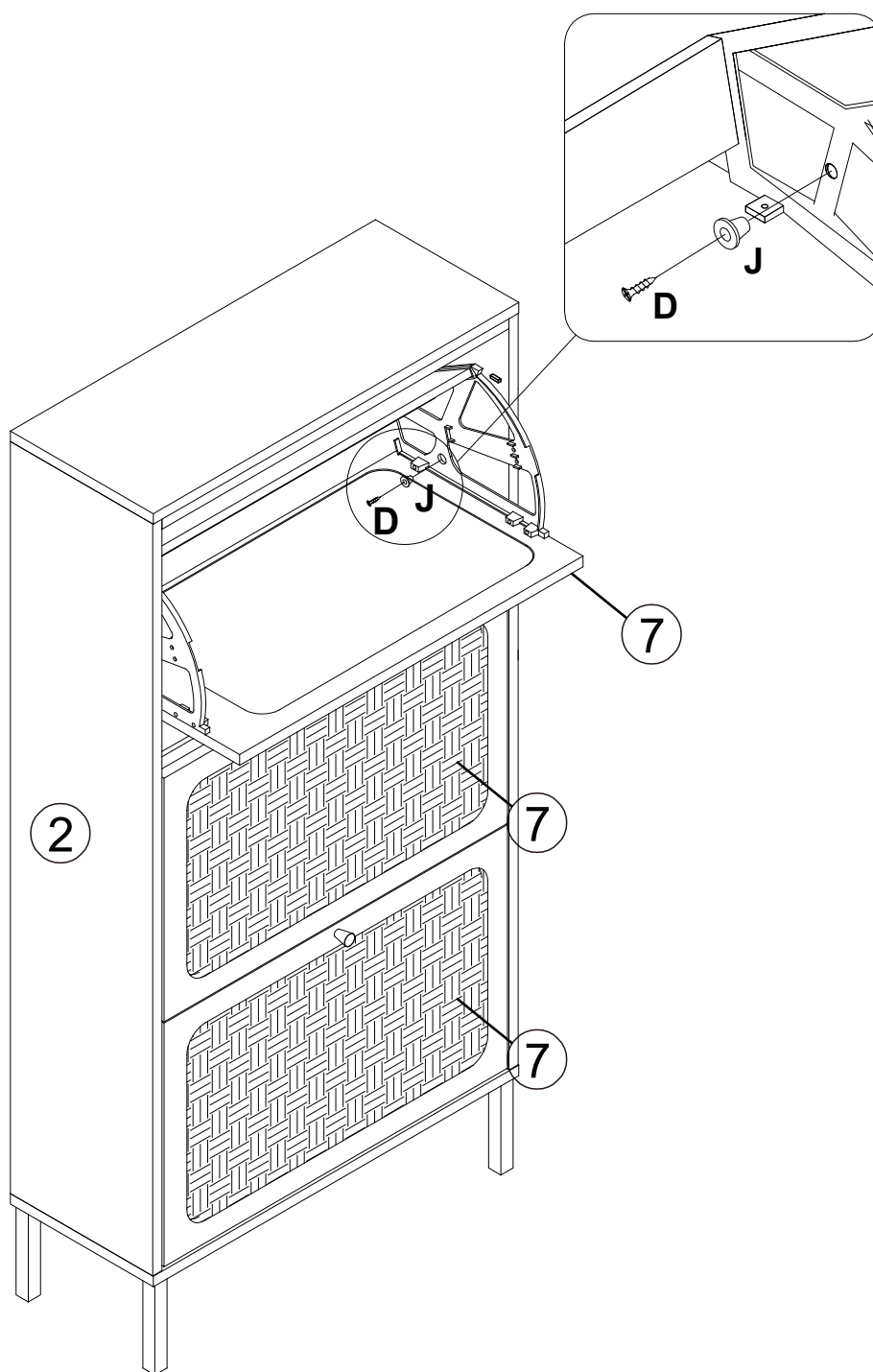
X3



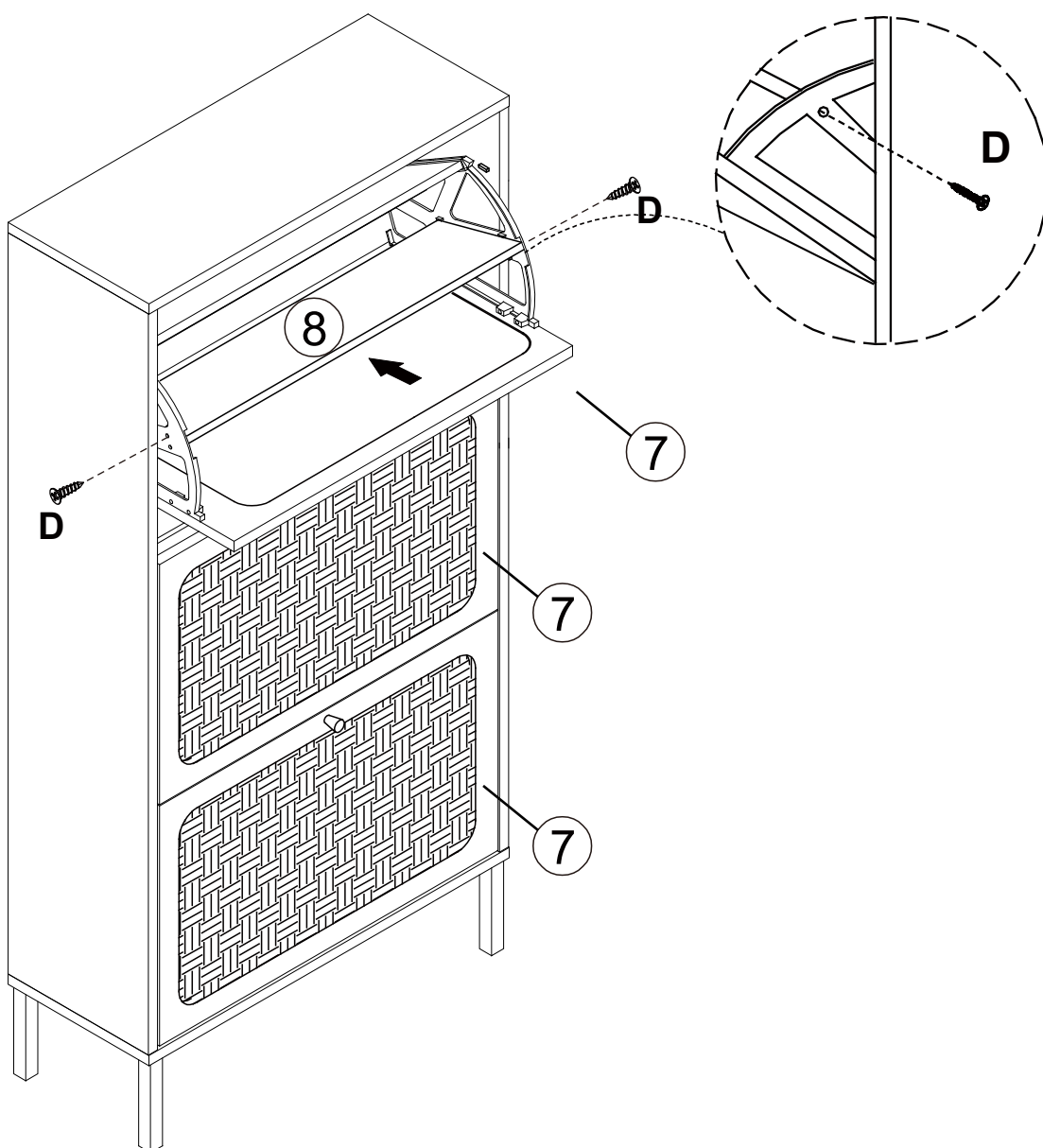
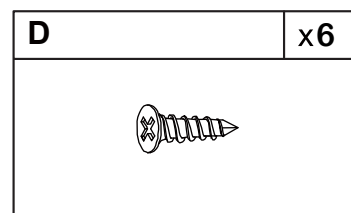
# Step 12

<b>D</b>	<b>x 6</b>
	

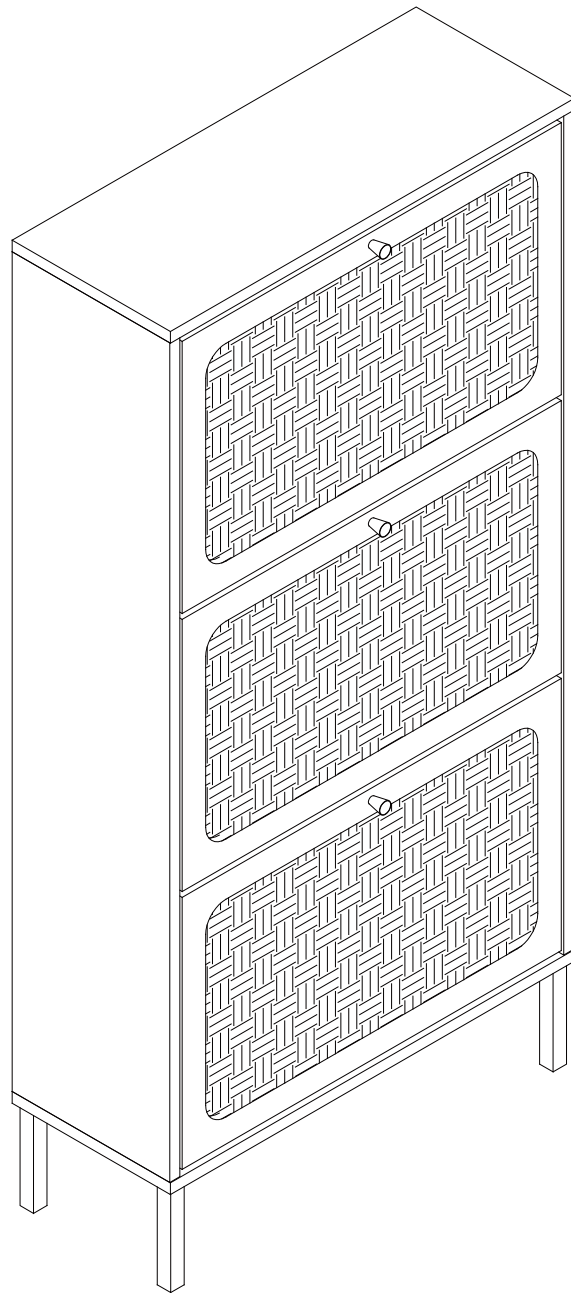
<b>J</b>	<b>x 6</b>
	



# Step 13



# Step 14



# Proper Use

- DO NOT** use for commercial purposes
- DO NOT** use as a step stool or stand on table
- DO NOT** put hot serving liquid directly on the table top
- DO NOT** leave spilled liquid on the table top
- DO NOT** use table if damaged
- DO NOT** exceed weight limit
- DO NOT** make temporary repairs
- DO NOT** use outdoor