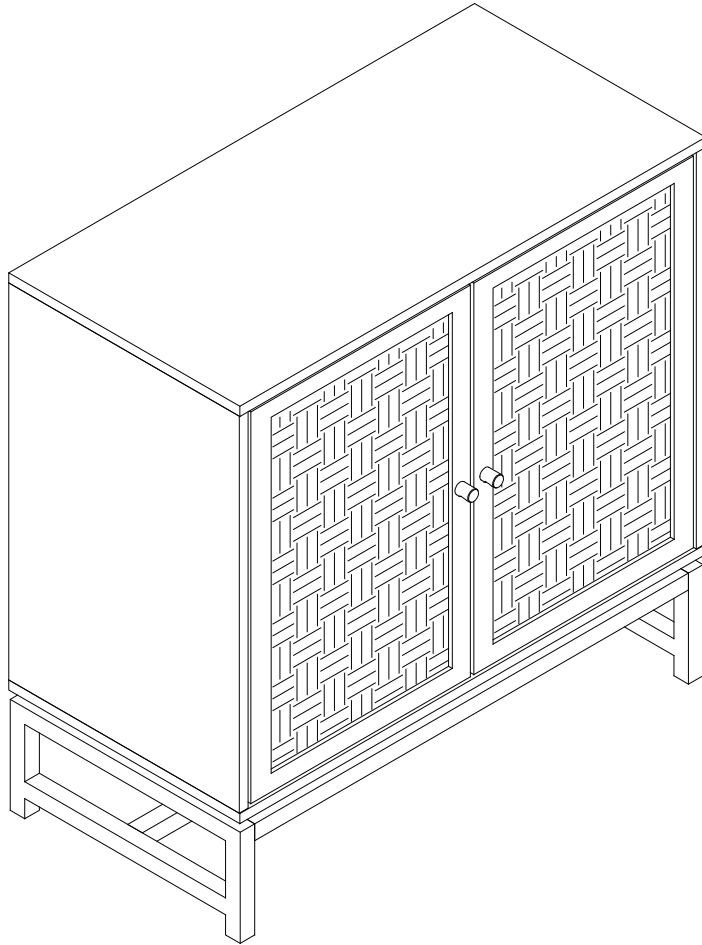


Installation Instruction



Product name

W68840160

Assembling

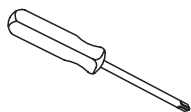
Estimated time for assembly



30: 00

What you need

- Use the packaging carton as a working surface to prevent product damage during assembly
- Phillips head screwdriver



Weight Limitation



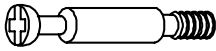
44 | **22**
lbs table top lbs per shelf

What's included

Code	Description	Qty
A	Cam Bolt M6X35MM	10
B	Cam Lock 15X10MM	10
C	Screw M4X35MM	6
D	Screw M3X14MM	8
E	Screw M3X10MM	4
F	Screw M4X35MM	2
G	Screw M4X14MM	2
H	Bolt M4X18MM	2
I	Handle	2
J	Bolt M6X45MM	10
K	Plastic Corner Support	4
L	Wooden Dowel M6X30MM	10
M	Metal Pin	4
N	Metal Support	4
O	Magnetic Door Catcher	2
P	Metal Plate	4
Q	Anchor M6X30MM	2
R	Nylon Strap	2
S	Allen Key	1

The Hardwares

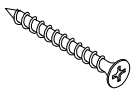
A



B



C



D



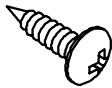
E



F



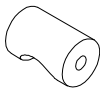
G



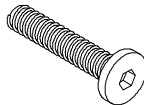
H



I



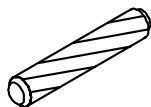
J



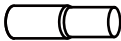
K



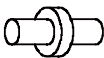
L



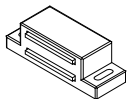
M



N



O



P



Q



R



S



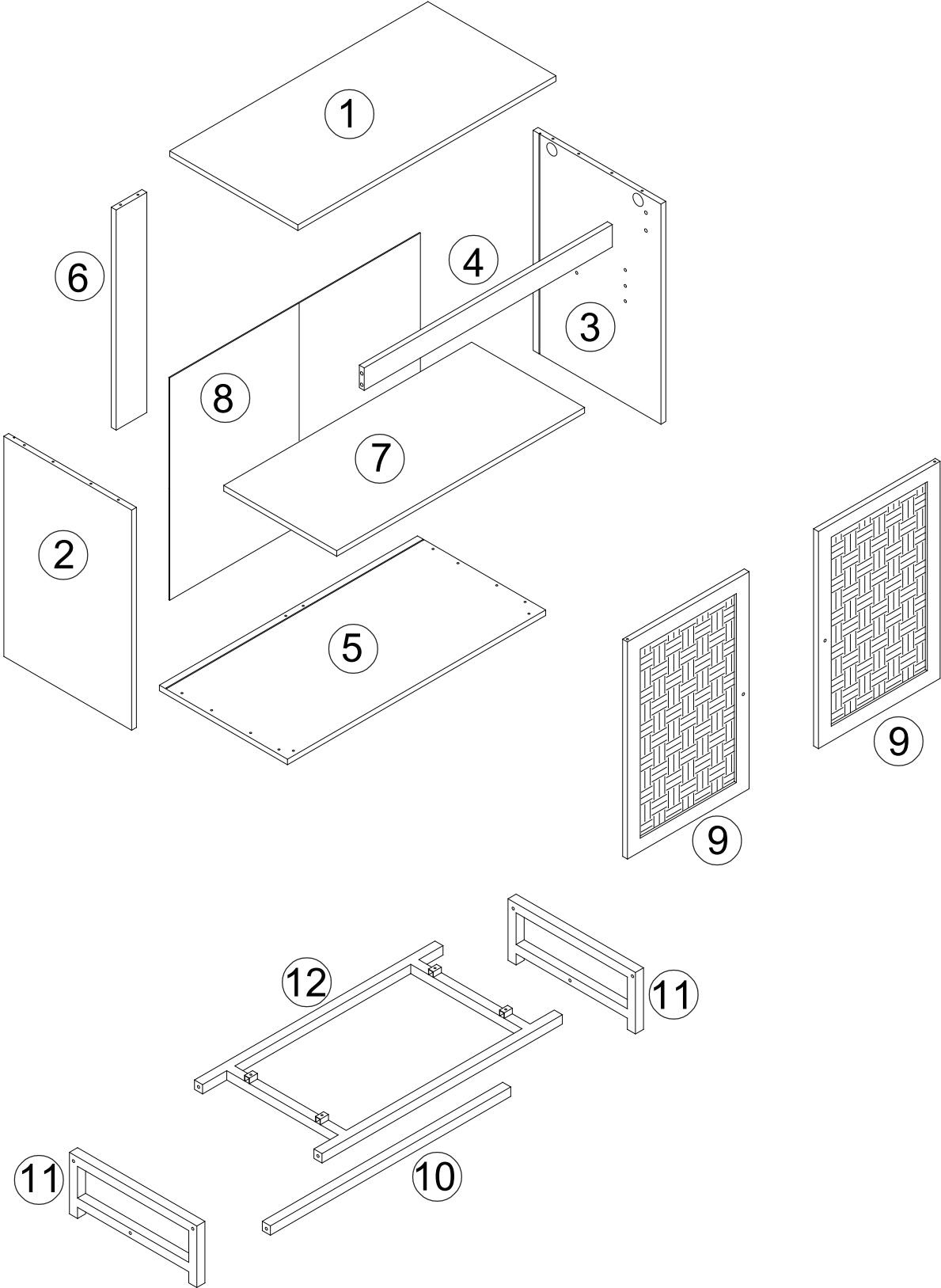
IMPORTANT:

- 1. Do not tighten bolts / screws completely until all bolts / screws are lined up and inserted into holes.
- 2. Do not over tighten screws and bolts to avoid stripping.
- 3. Please use hand tools to assemble this product. Do not use power tools.

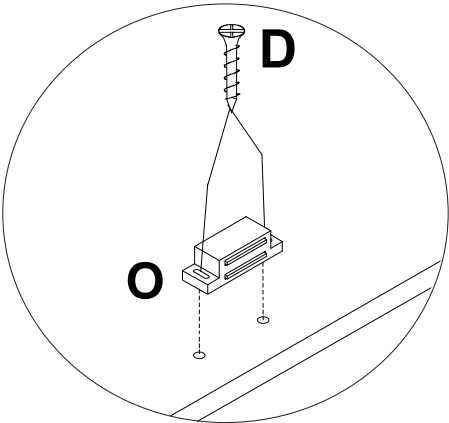
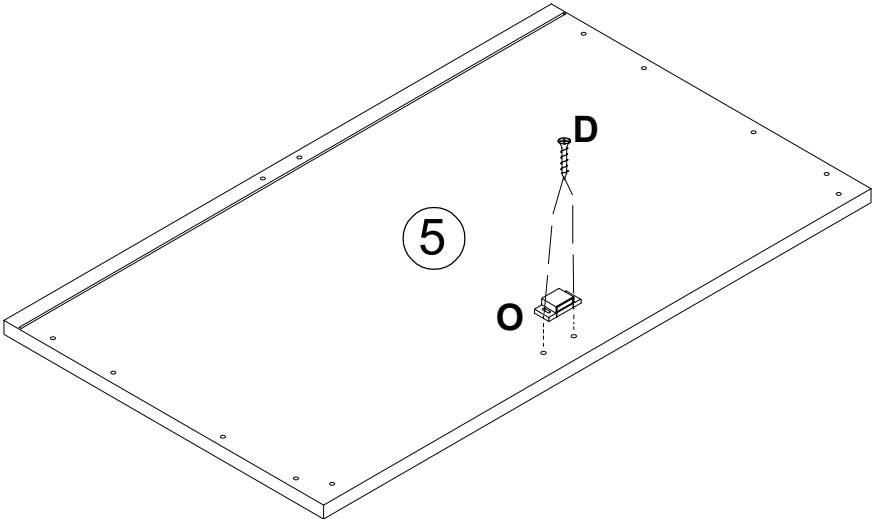
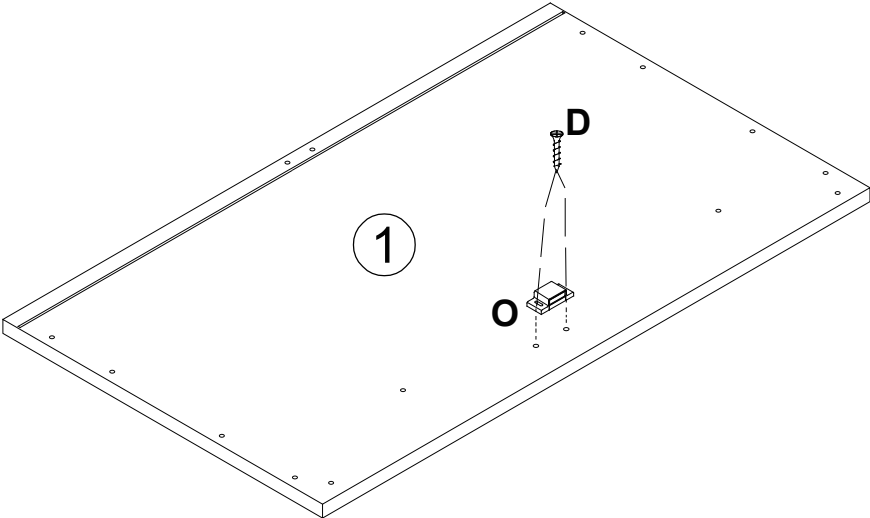
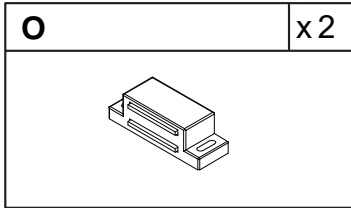
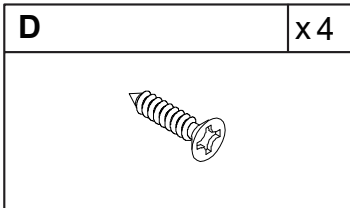
Included Accessories

Code	Description	Qty
1	Cabinet Top	1
2	Left Side Panel	1
3	Right Side Panel	1
4	Top Stretcher	1
5	Bottom Panel	1
6	Back Stretcher	1
7	Shelf	1
8	Back Panel	1
9	Door	2
10	Bottom Stretcher	1
11	Side Frame	2
12	Top Frame	1

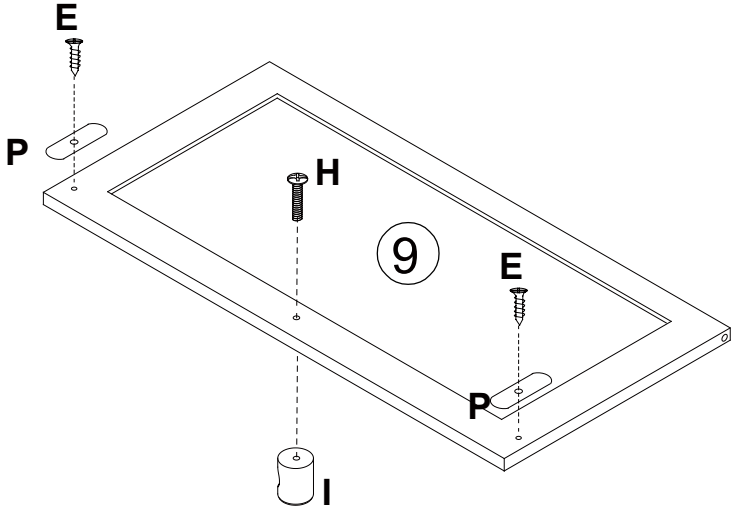
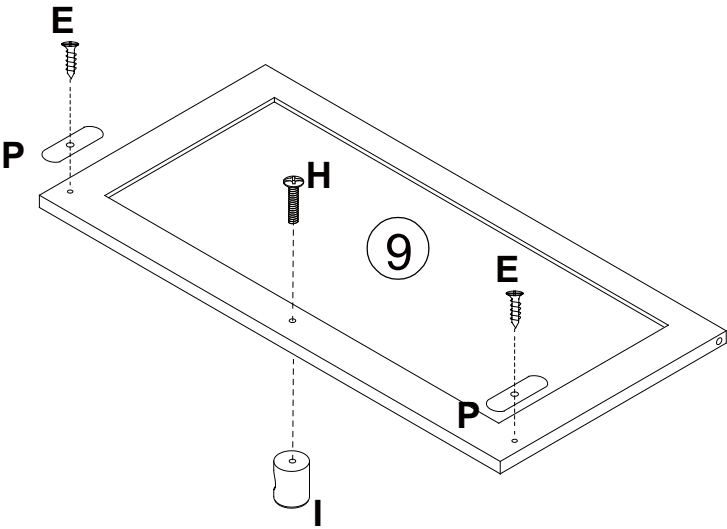
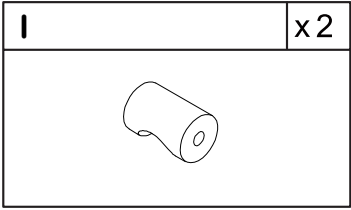
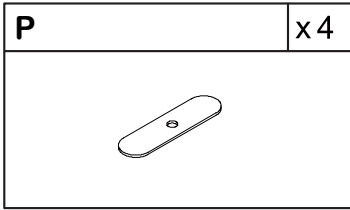
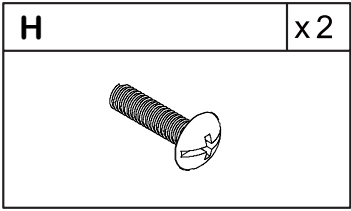
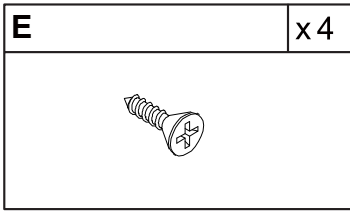
The Accessories



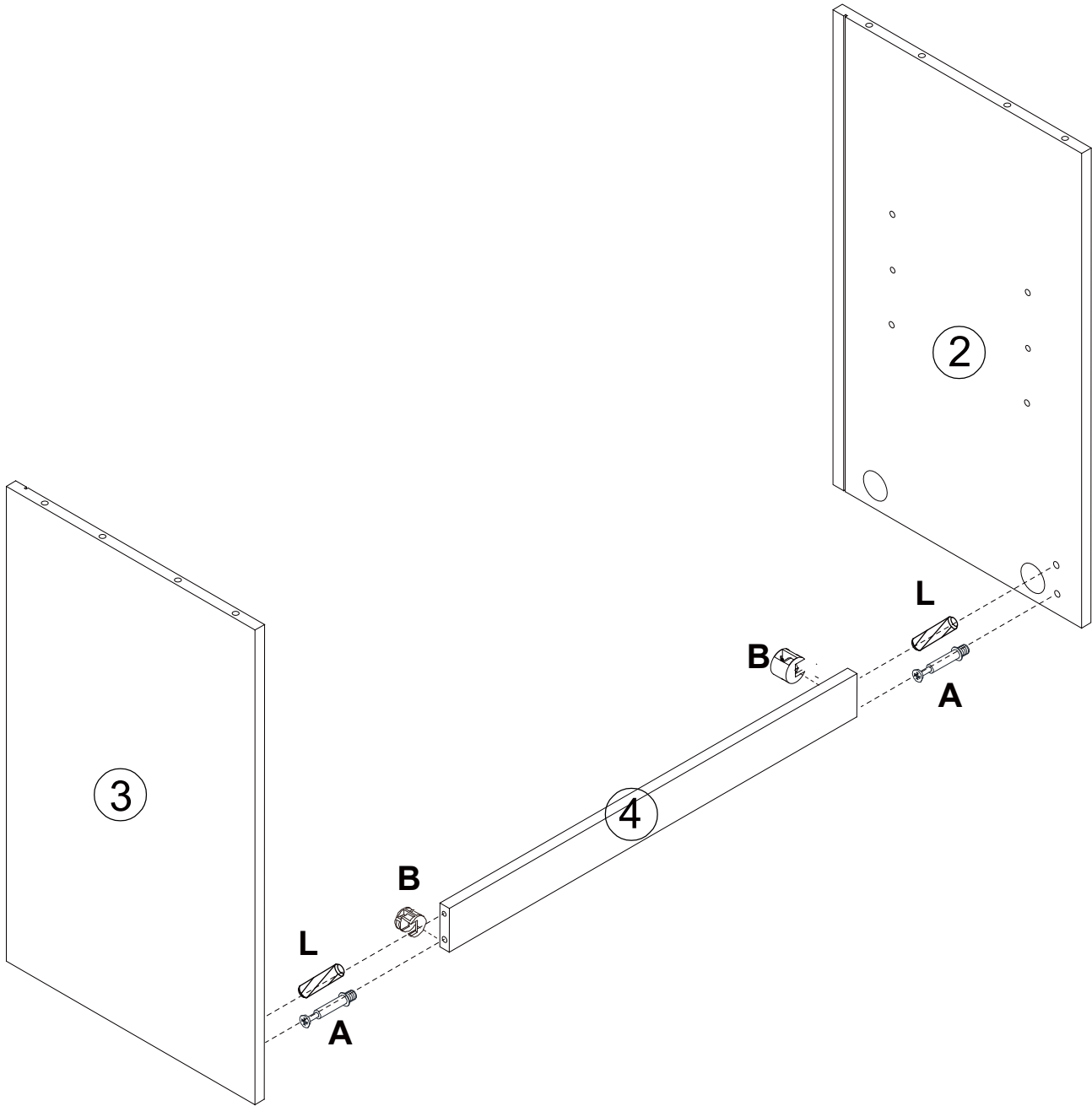
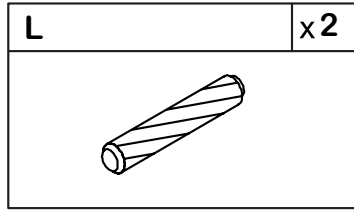
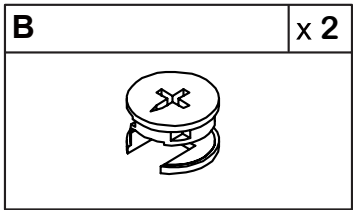
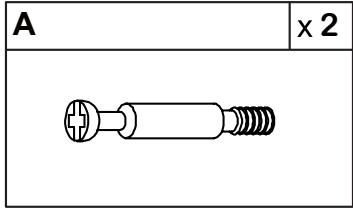
Step 1



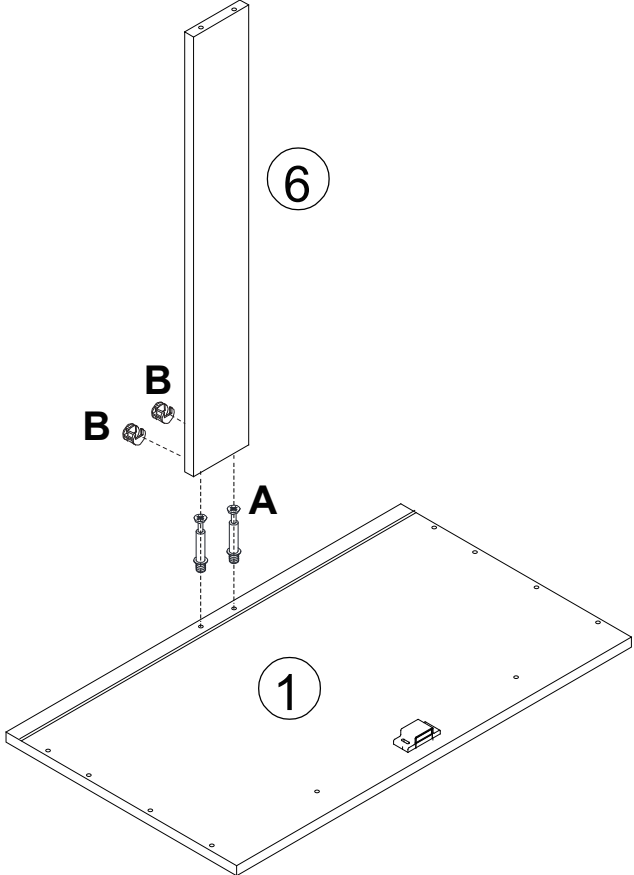
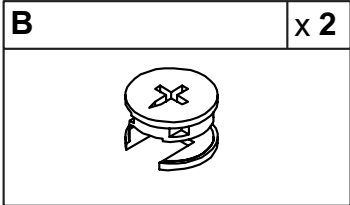
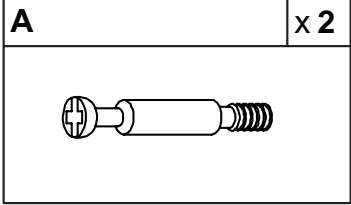
Step 2



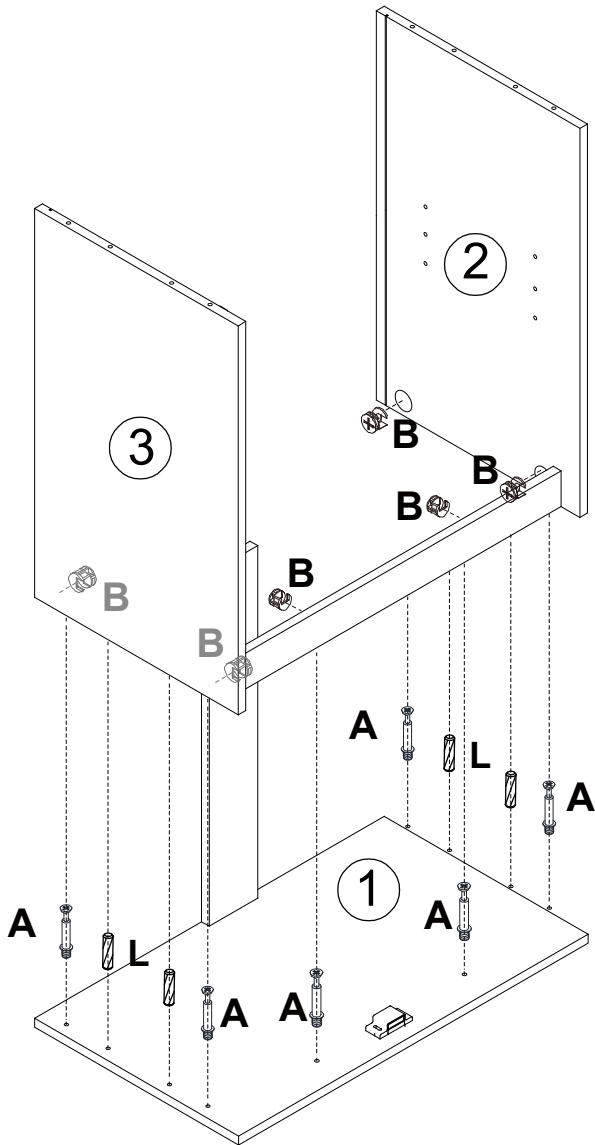
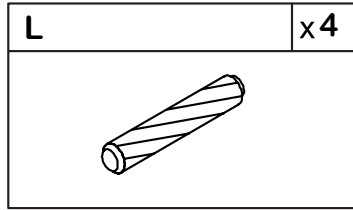
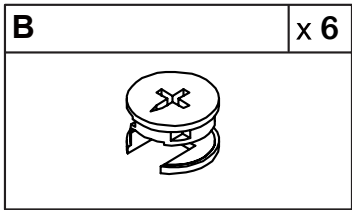
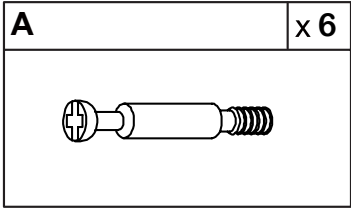
Step 3



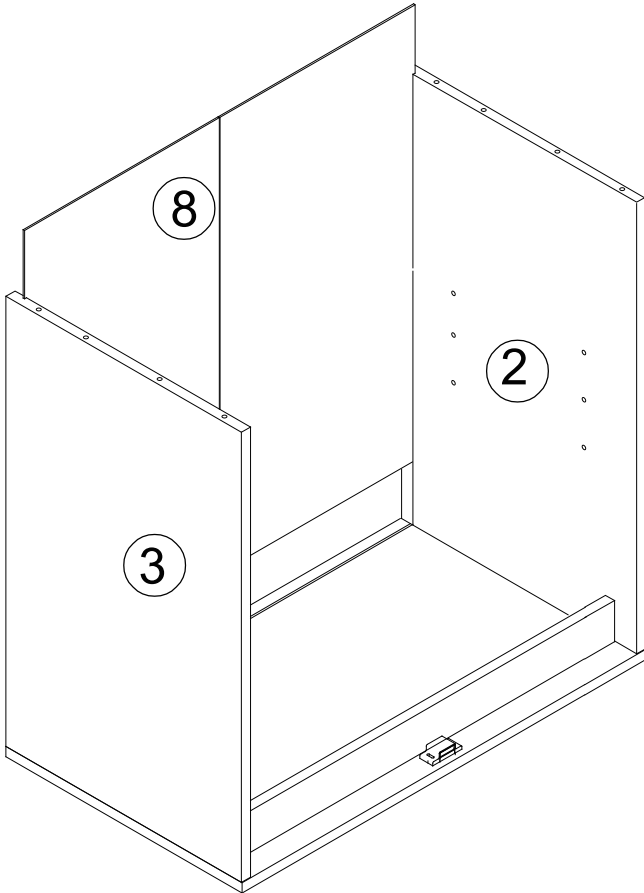
Step 4



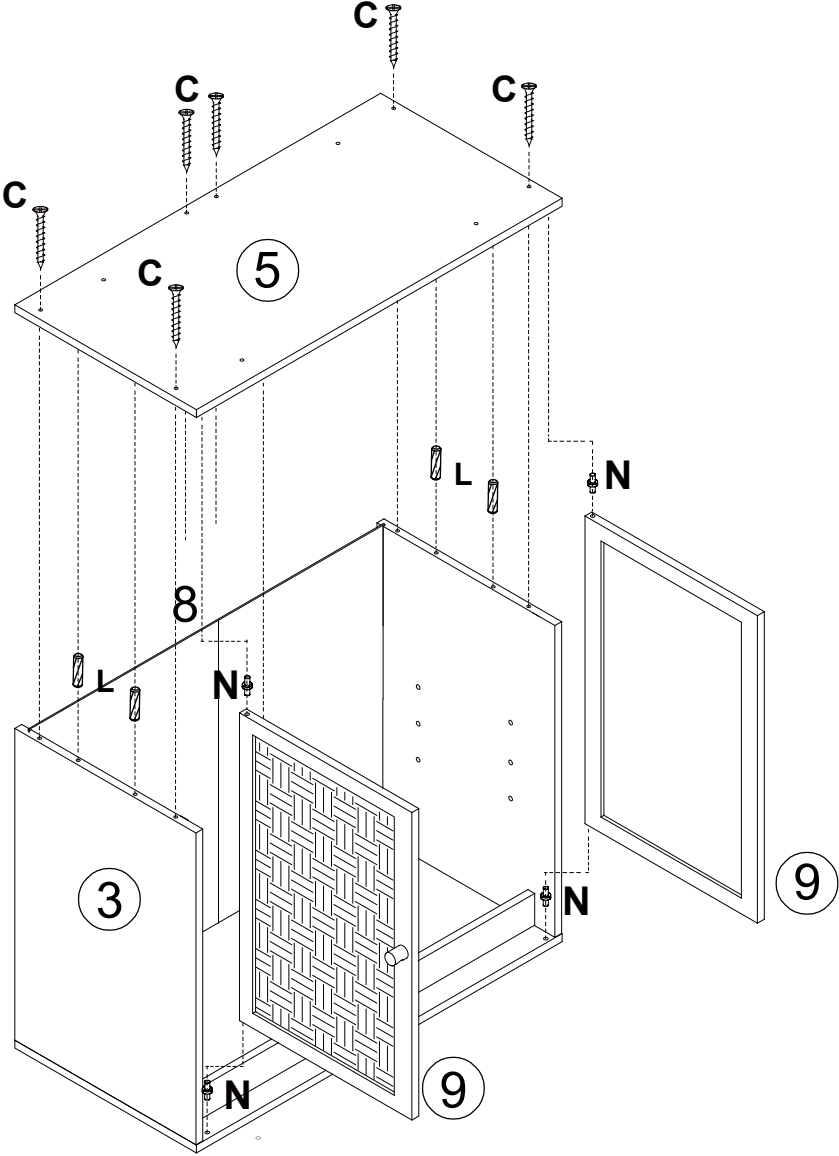
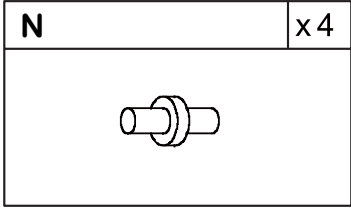
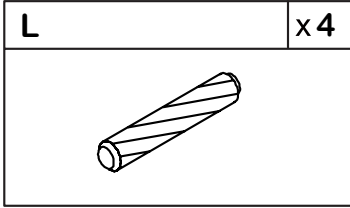
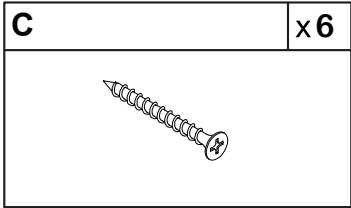
Step 5



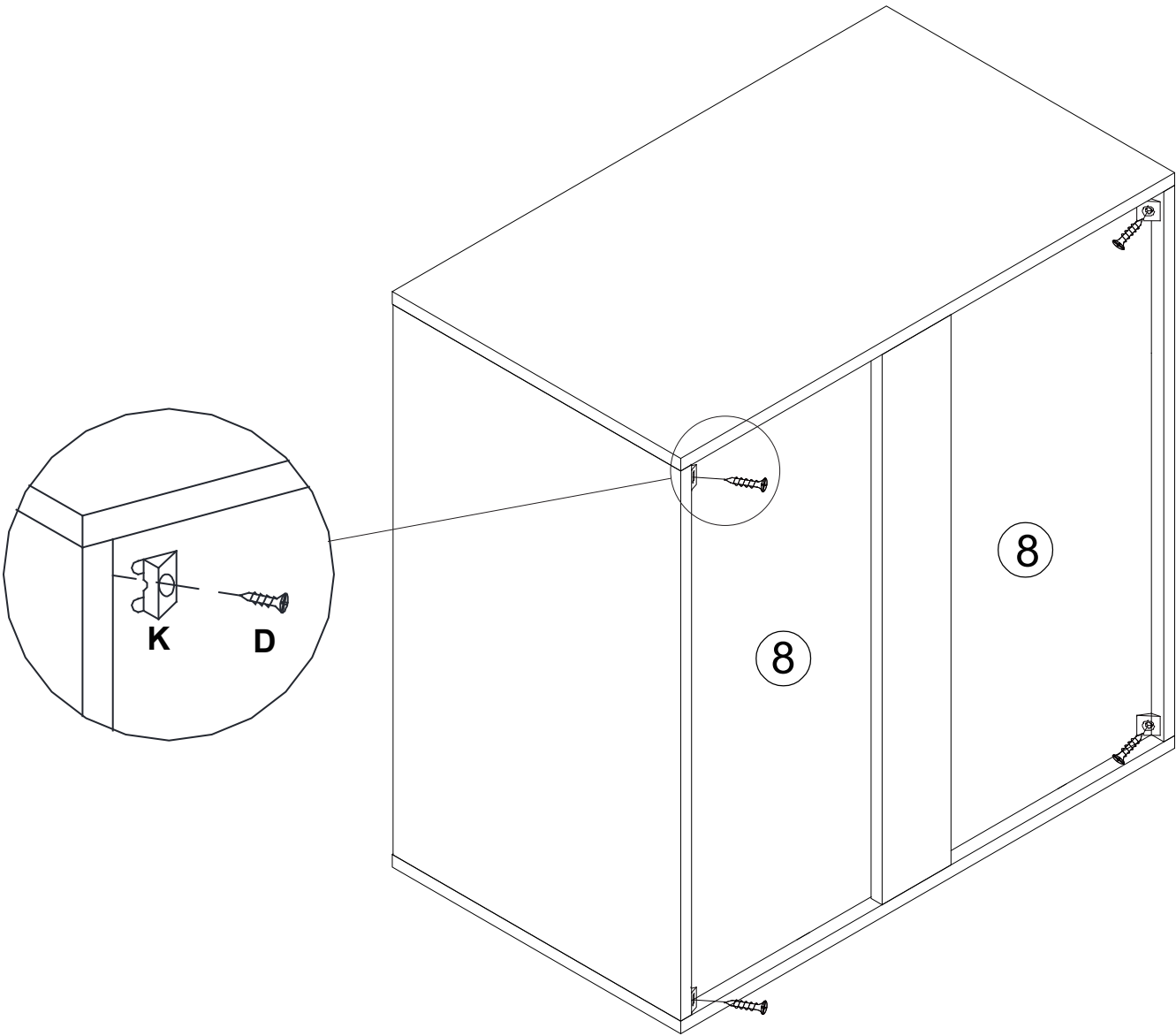
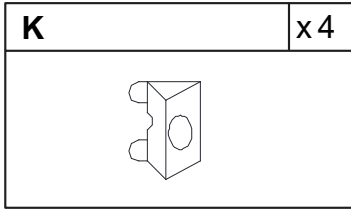
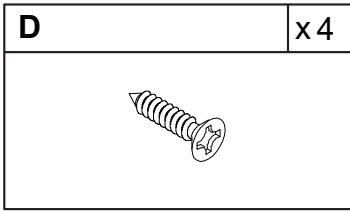
Step 6




Step 7

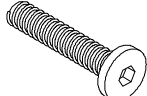


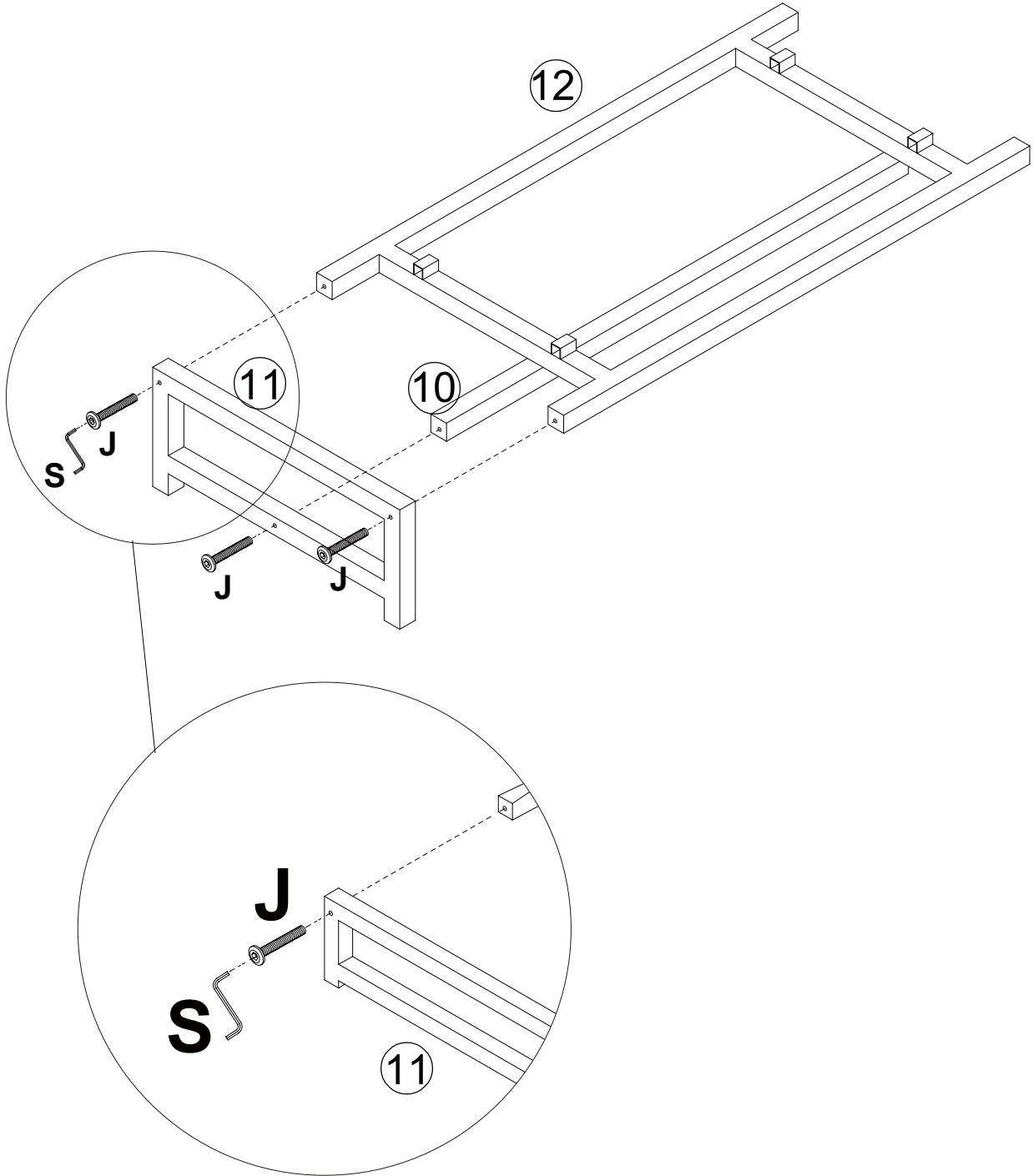
Step 8




Step 9

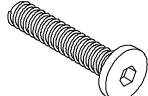
S	x1
	

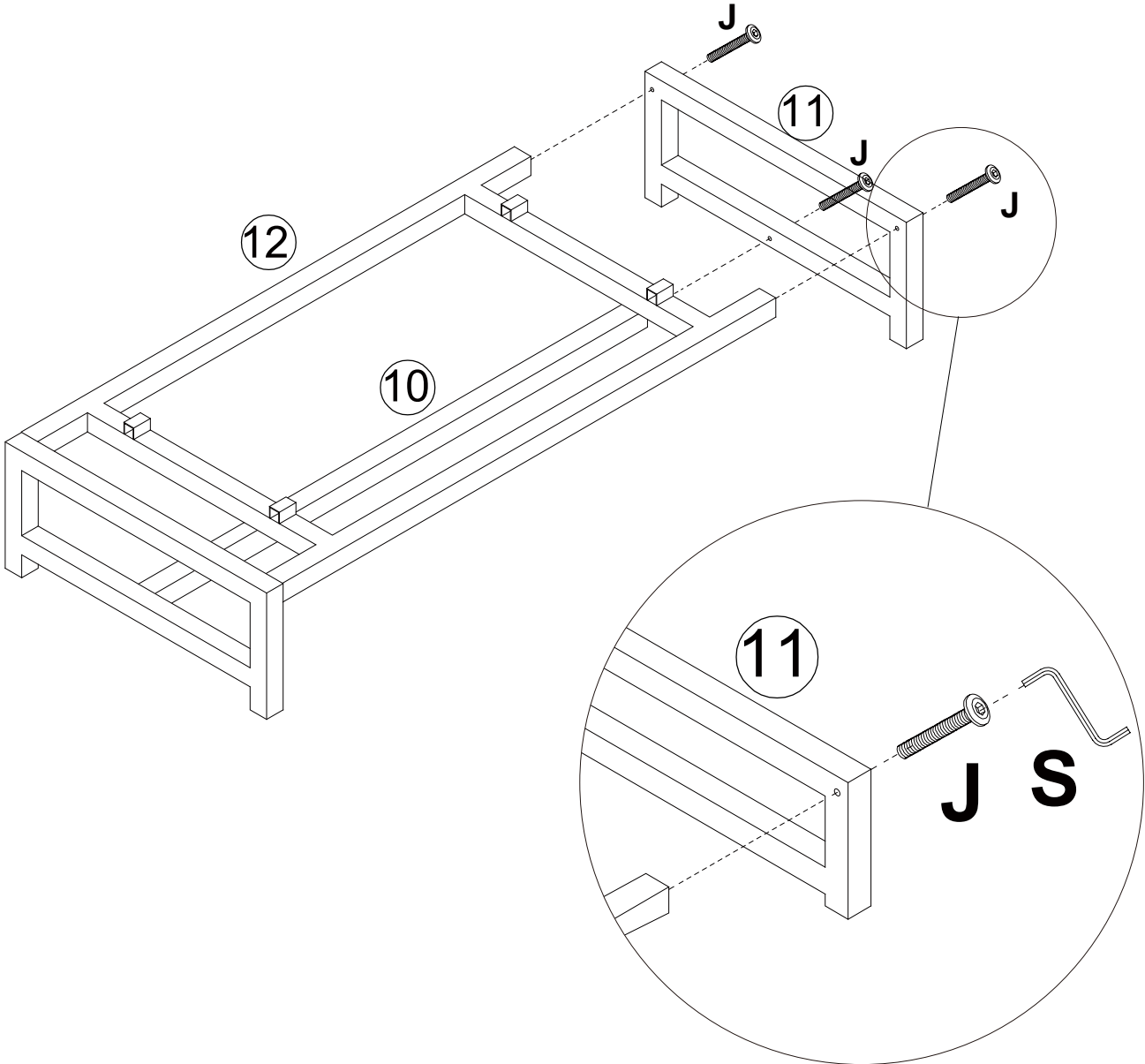
J	x3
	



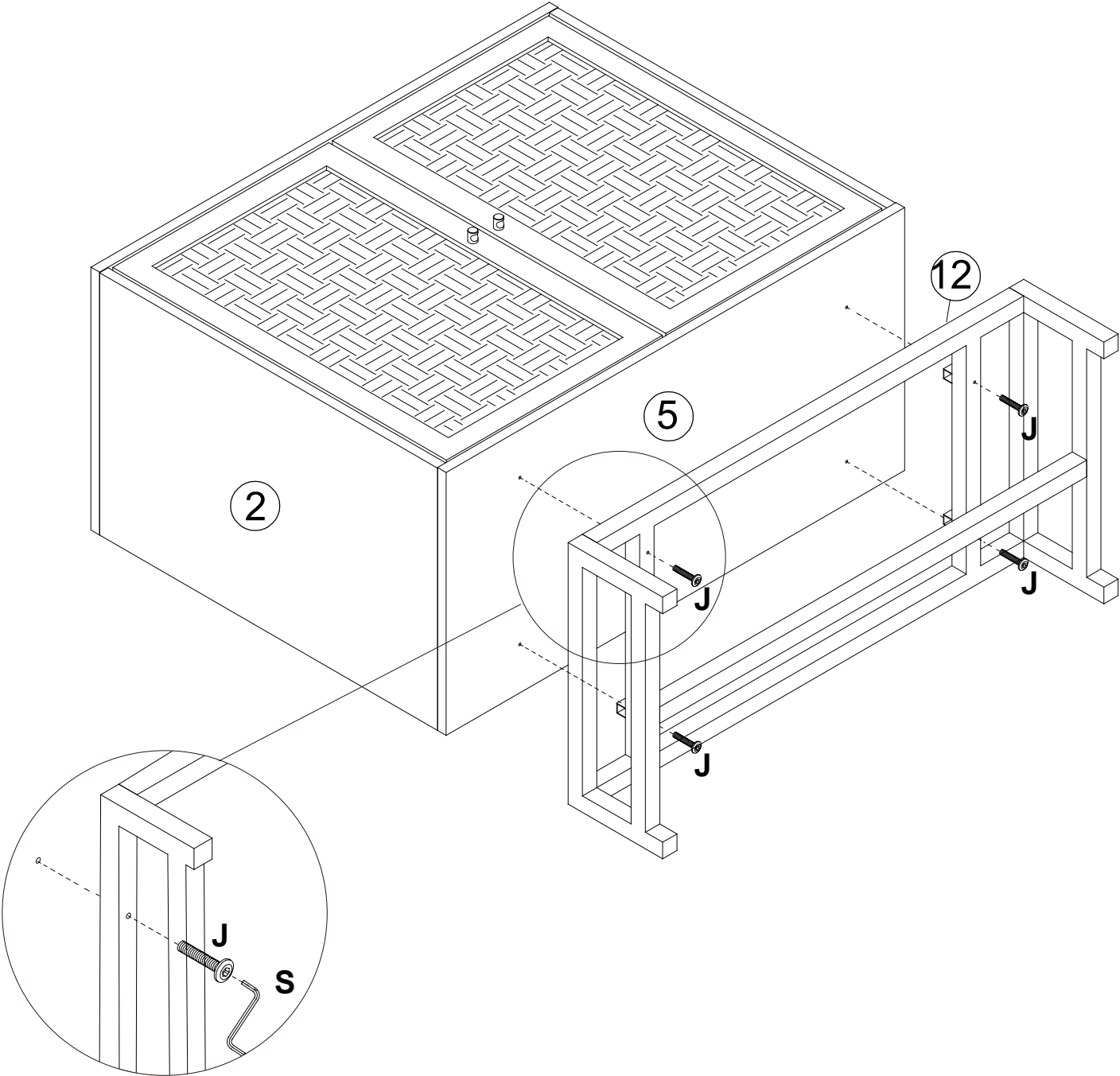
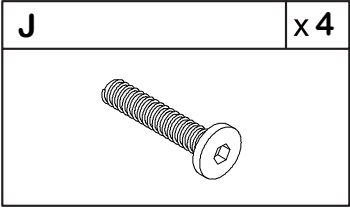
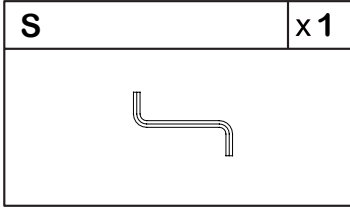
Step 10

S	x1
	

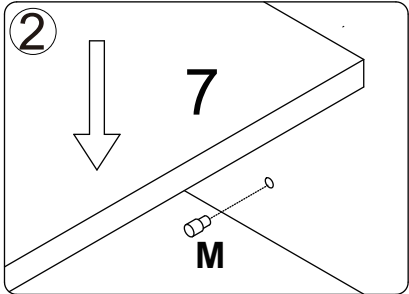
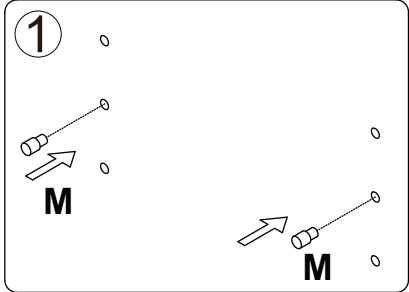
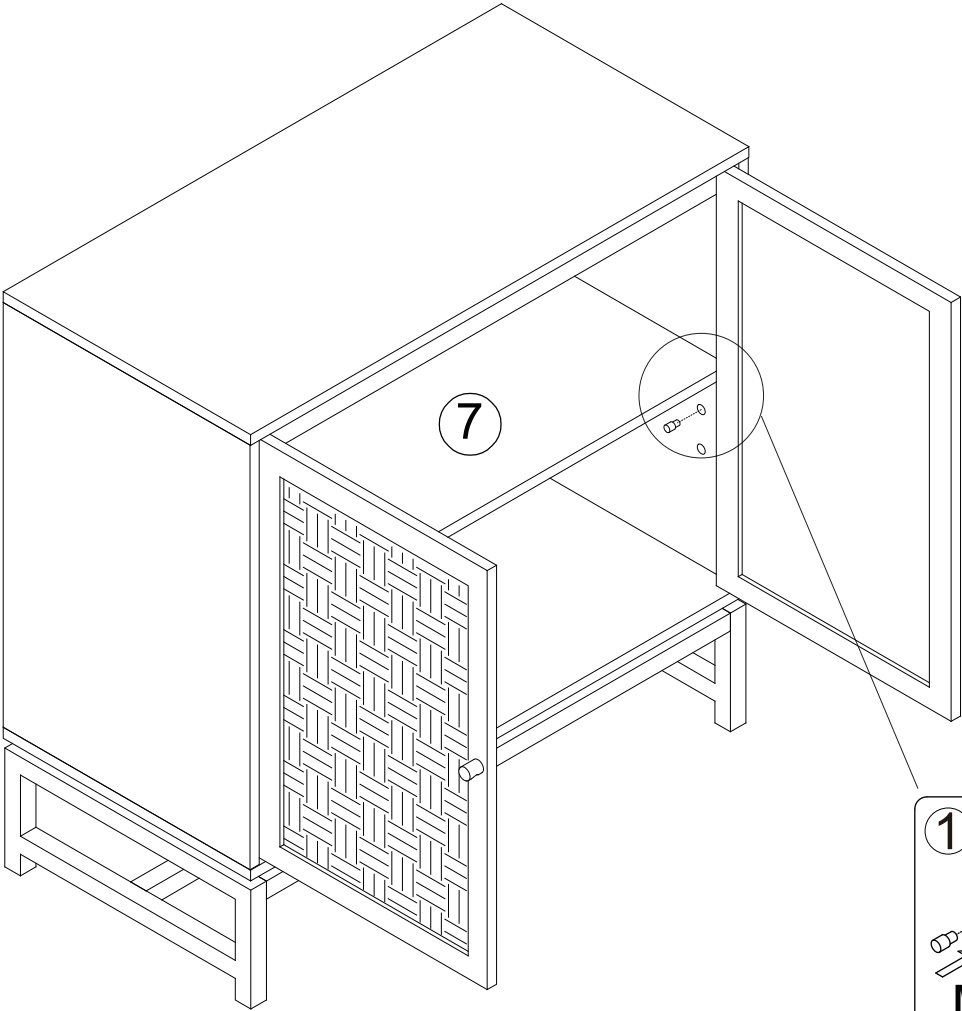
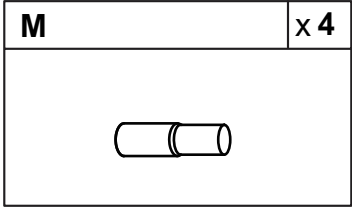
J	x3
	



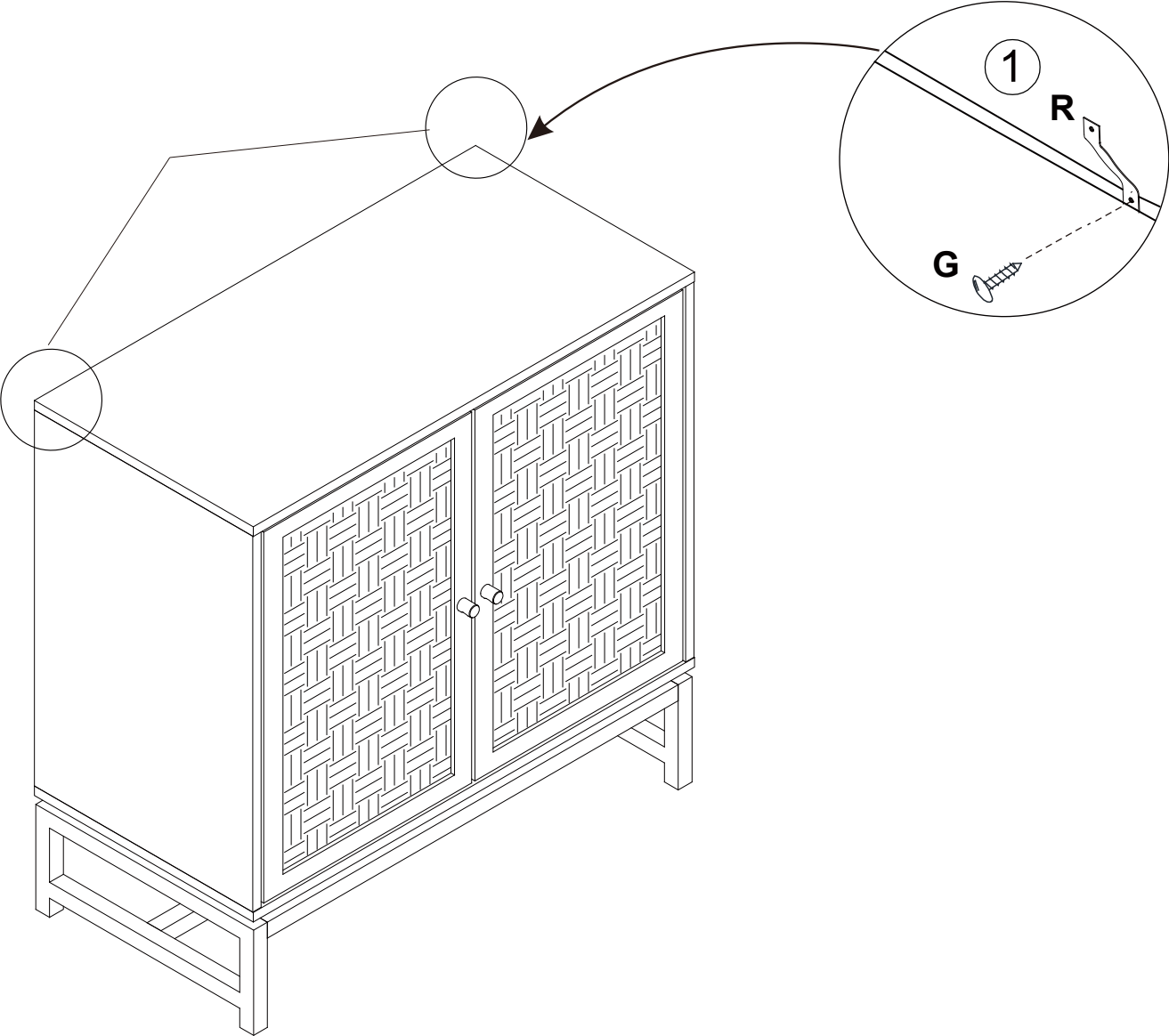
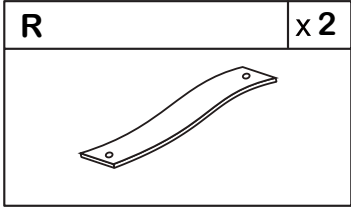
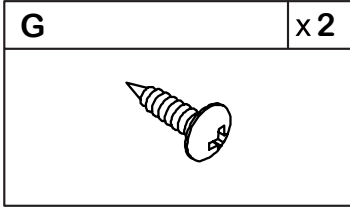
Step 11



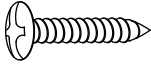
Step 12




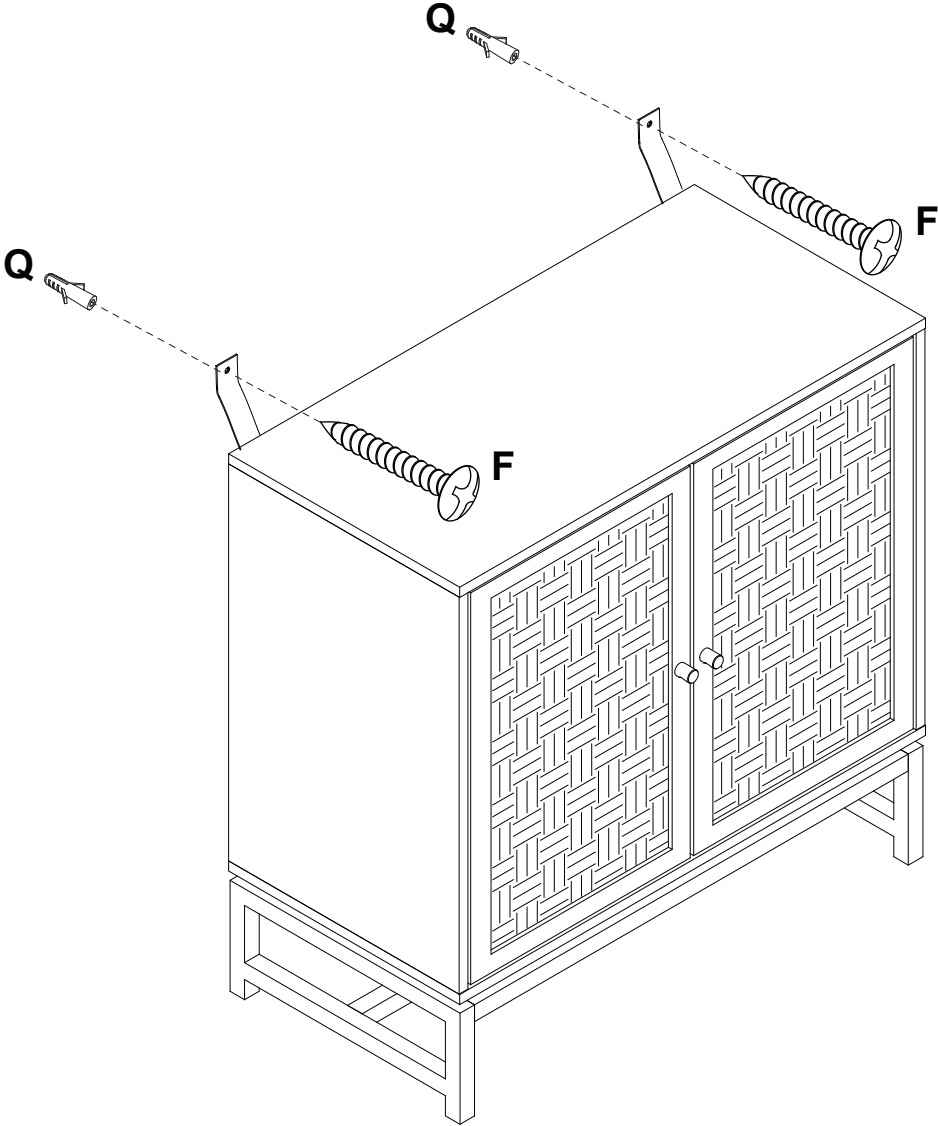
Step 13



Step 14

F	x 2
	

Q	x 2
	



Proper Use

- DO NOT** use for commercial purposes
- DO NOT** use as a step stool or stand on table
- DO NOT** put hot serving liquid directly on the table top
- DO NOT** leave spilled liquid on the table top
- DO NOT** use table if damaged
- DO NOT** exceed weight limit
- DO NOT** make temporary repairs
- DO NOT** use outdoor