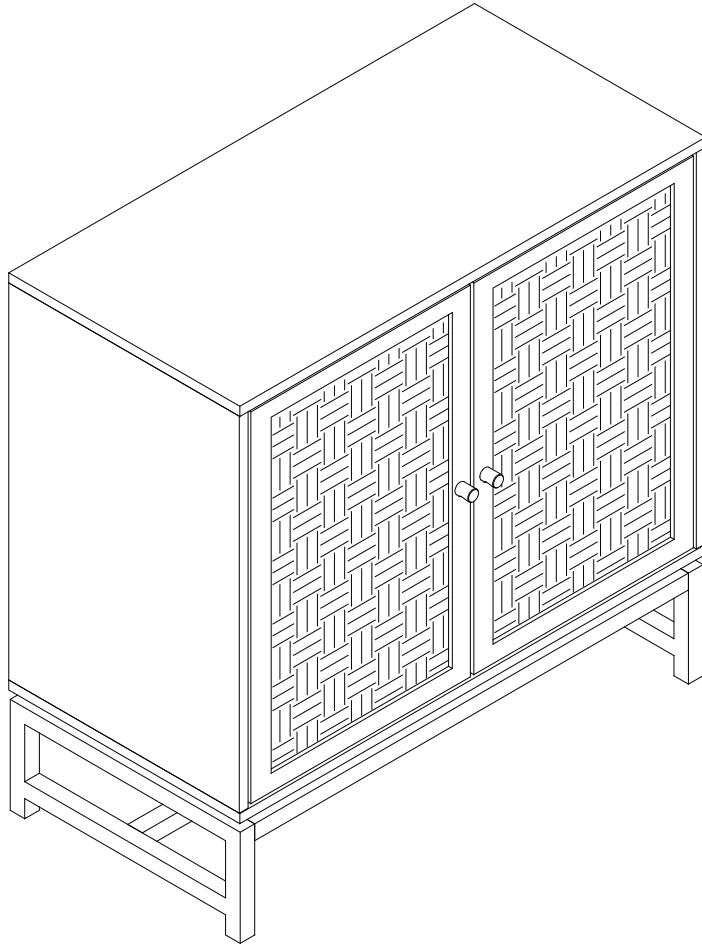


Installation Instruction



Product name

W68837239

Assembling

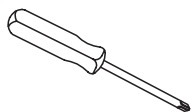
Estimated time for assembly



30: 00

What you need

- Use the packaging carton as a working surface to prevent product damage during assembly
- Phillips head screwdriver



Weight Limitation



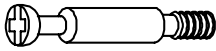
44 | **22**
lbs table top lbs per shelf

What's included

| Code | Description | Qty |
|------|------------------------|-----|
| A | Cam Bolt M6X35MM | 10 |
| B | Cam Lock 15X10MM | 10 |
| C | Screw M4X35MM | 6 |
| D | Screw M3X14MM | 8 |
| E | Screw M3X10MM | 4 |
| F | Screw M4X35MM | 2 |
| G | Screw M4X14MM | 2 |
| H | Bolt M4X18MM | 2 |
| I | Handle | 2 |
| J | Bolt M6X45MM | 10 |
| K | Plastic Corner Support | 4 |
| L | Wooden Dowel M6X30MM | 10 |
| M | Metal Pin | 4 |
| N | Metal Support | 4 |
| O | Magnetic Door Catcher | 2 |
| P | Metal Plate | 4 |
| Q | Anchor M6X30MM | 2 |
| R | Nylon Strap | 2 |
| S | Allen Key | 1 |

The Hardwares

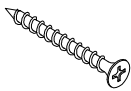
A



B



C



D



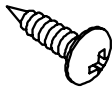
E



F



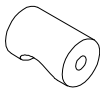
G



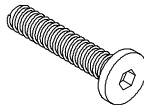
H



I



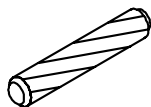
J



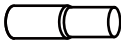
K



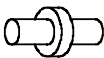
L



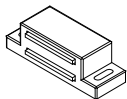
M



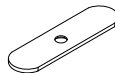
N



O



P



Q



R



S



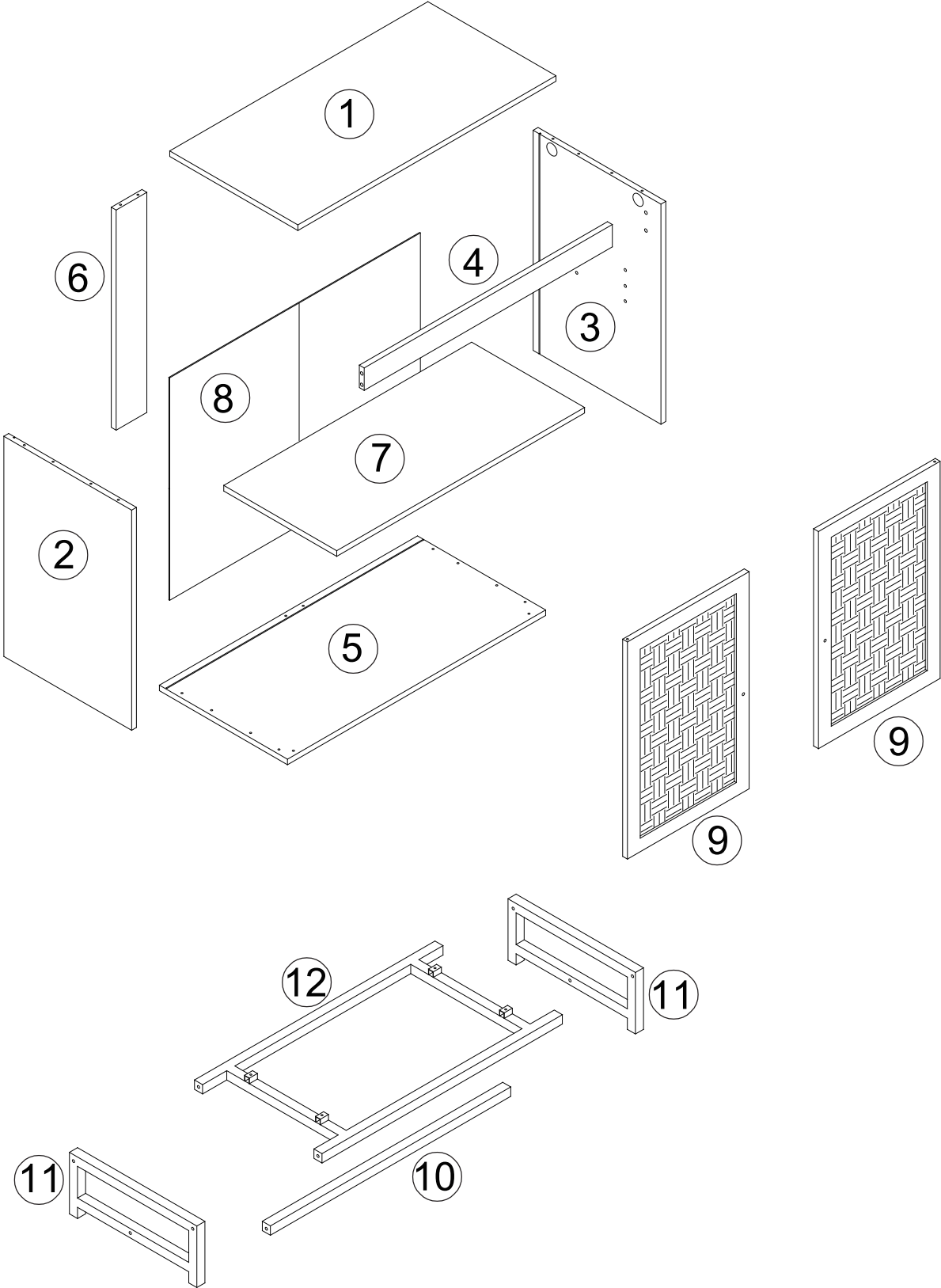
IMPORTANT:

- 1. Do not tighten bolts / screws completely until all bolts / screws are lined up and inserted into holes.
- 2. Do not over tighten screws and bolts to avoid stripping.
- 3. Please use hand tools to assemble this product. Do not use power tools.

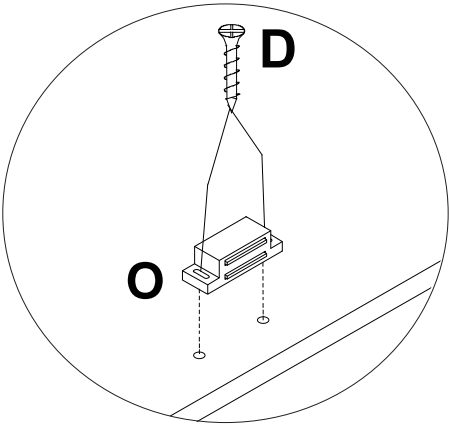
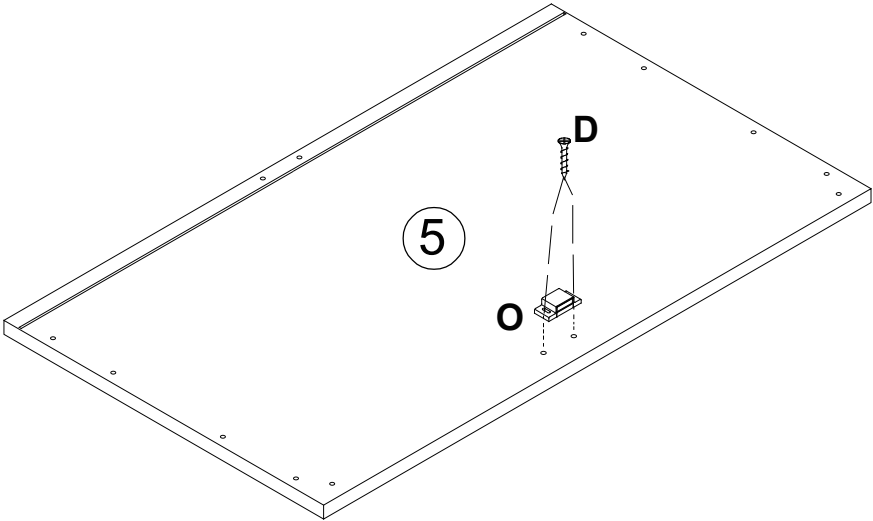
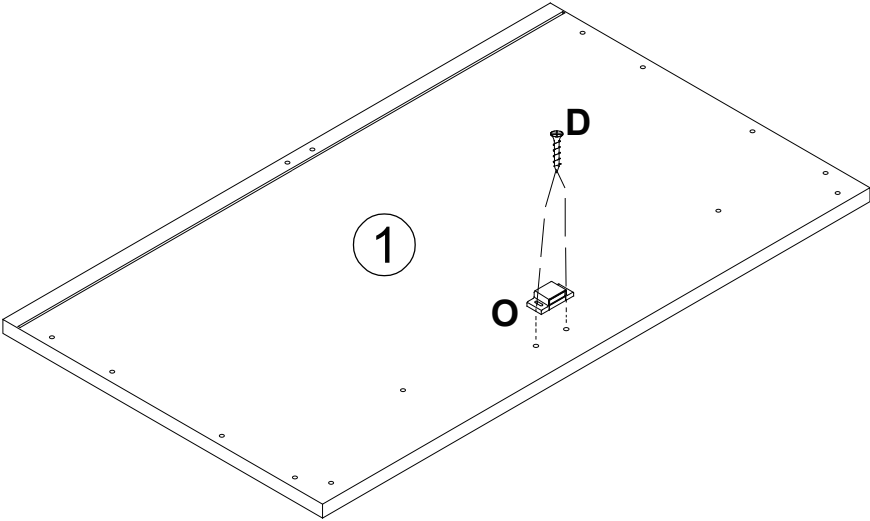
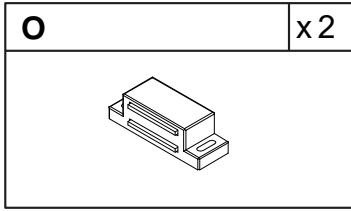
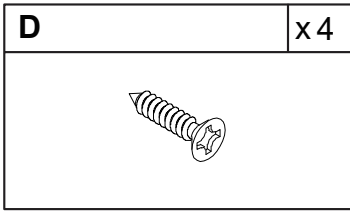
Included Accessories

| Code | Description | Qty |
|-------------|--------------------|------------|
| 1 | Cabinet Top | 1 |
| 2 | Left Side Panel | 1 |
| 3 | Right Side Panel | 1 |
| 4 | Top Stretcher | 1 |
| 5 | Bottom Panel | 1 |
| 6 | Back Stretcher | 1 |
| 7 | Shelf | 1 |
| 8 | Back Panel | 1 |
| 9 | Door | 2 |
| 10 | Bottom Stretcher | 1 |
| 11 | Side Frame | 2 |
| 12 | Top Frame | 1 |

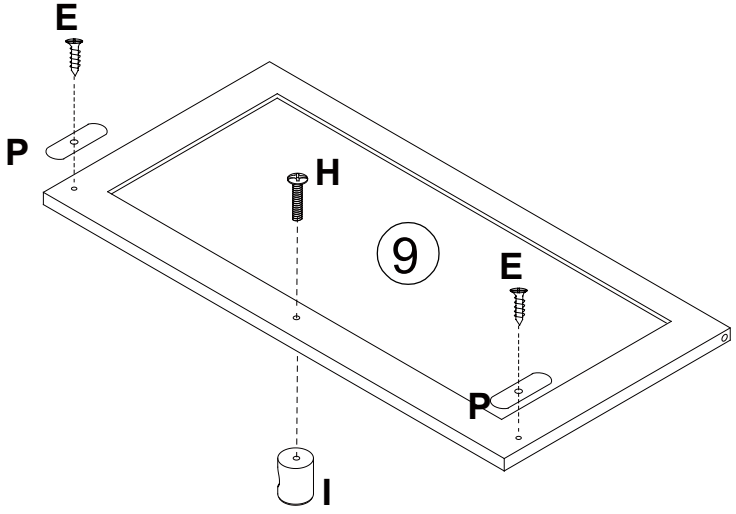
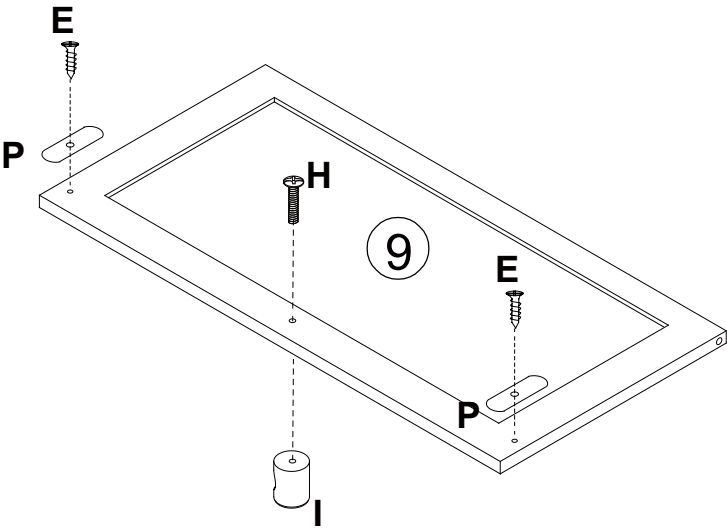
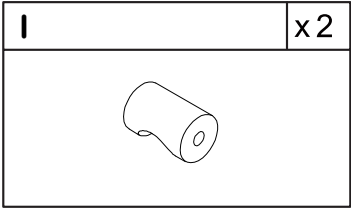
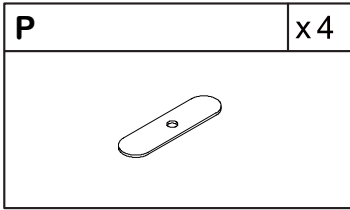
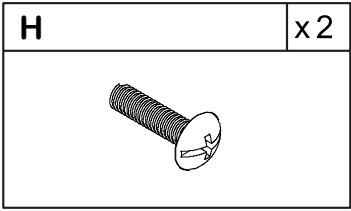
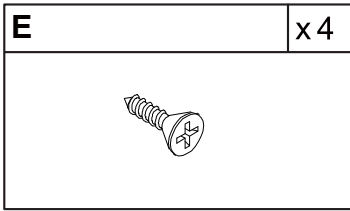
The Accessories



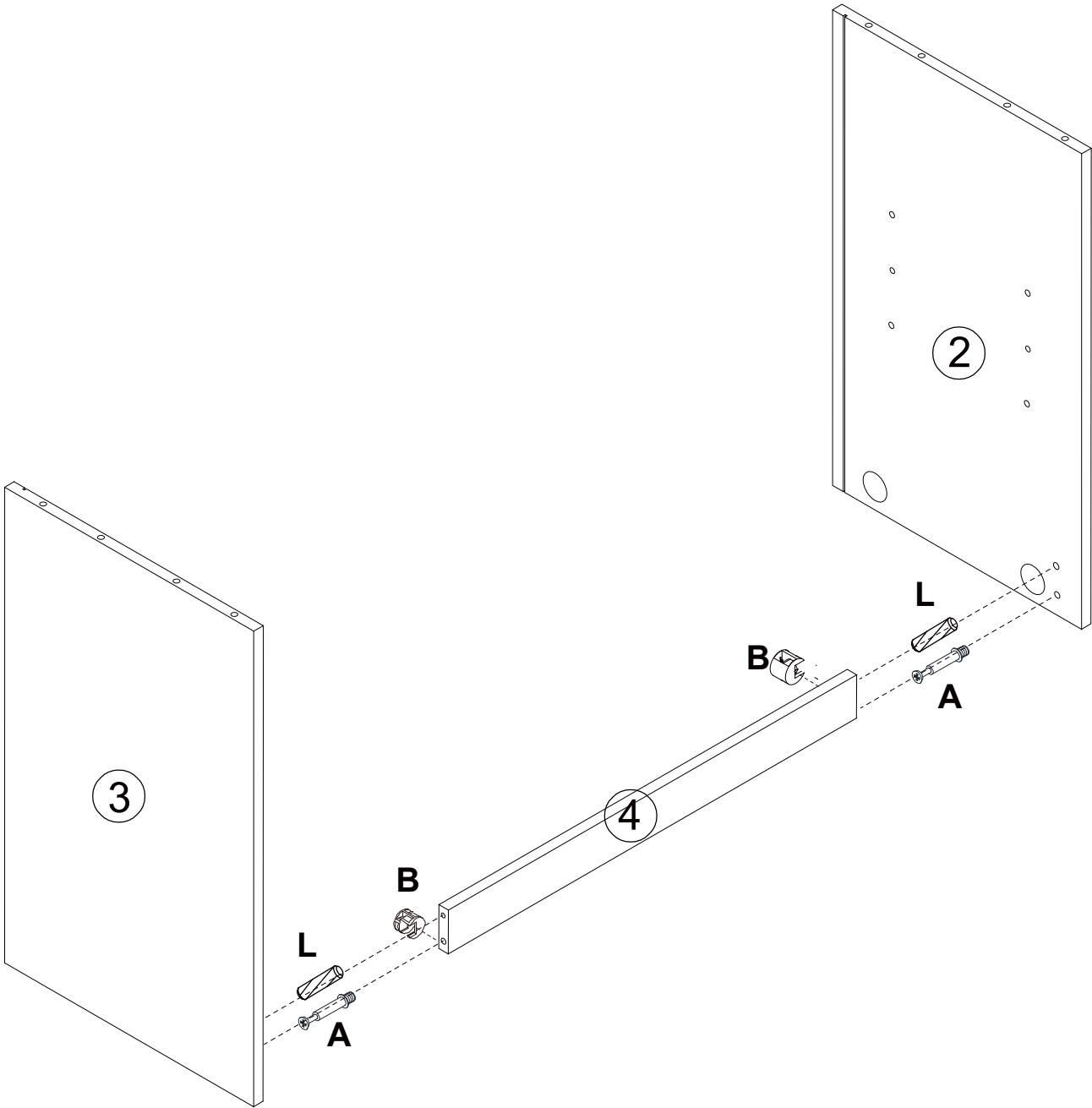
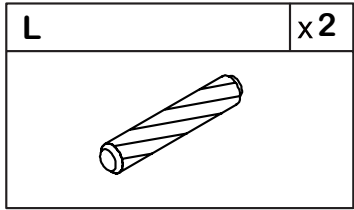
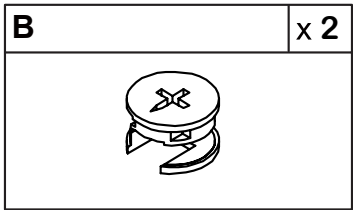
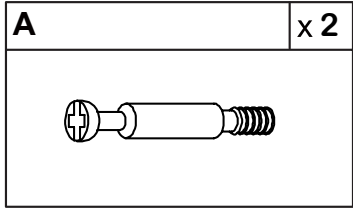
Step 1



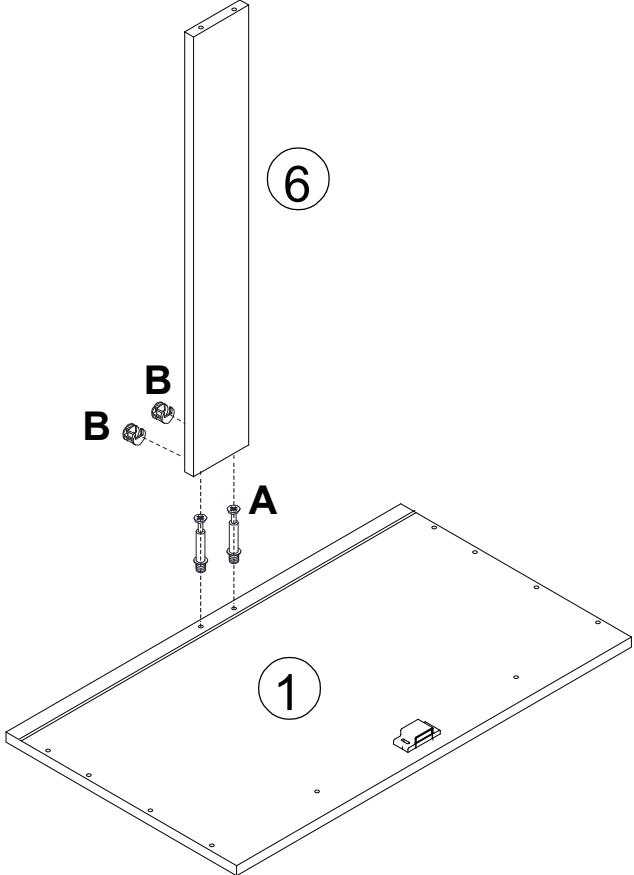
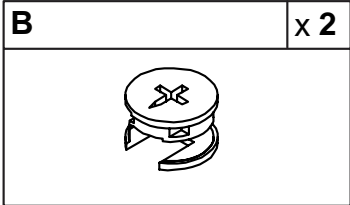
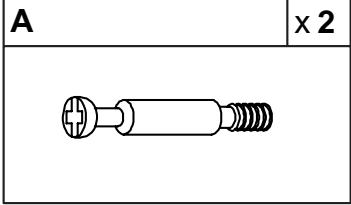
Step 2



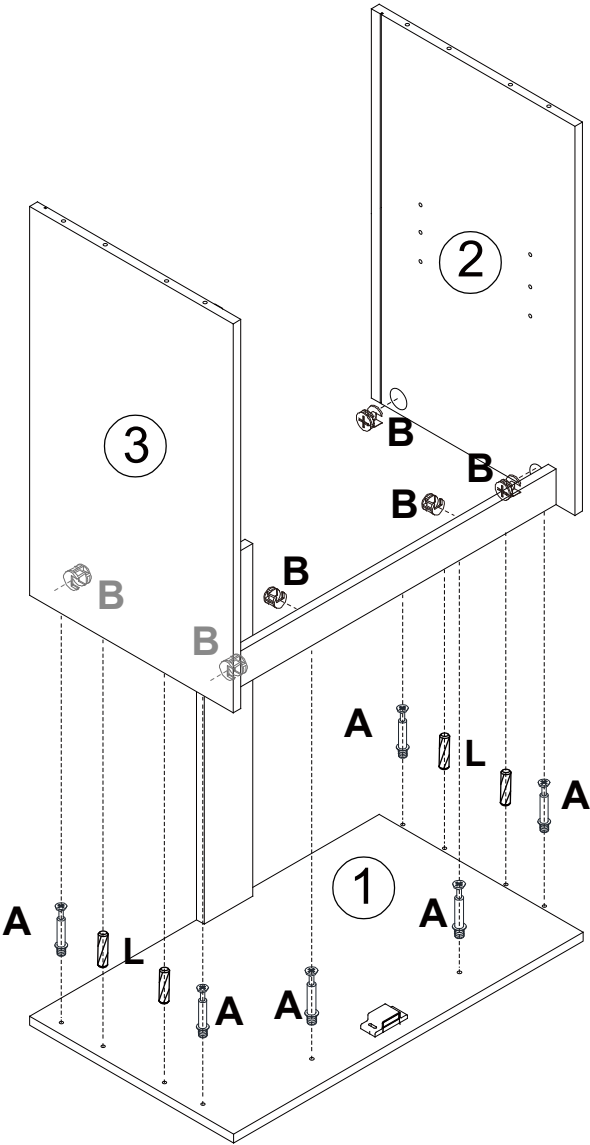
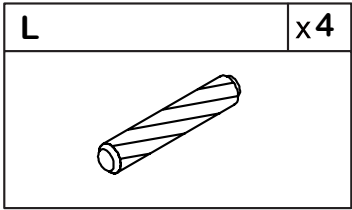
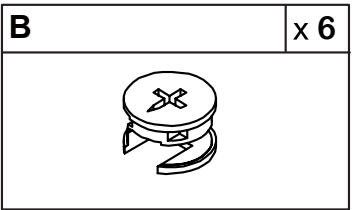
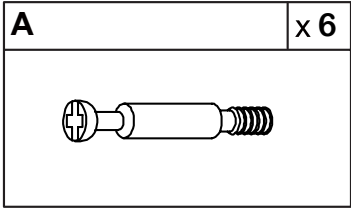
Step 3



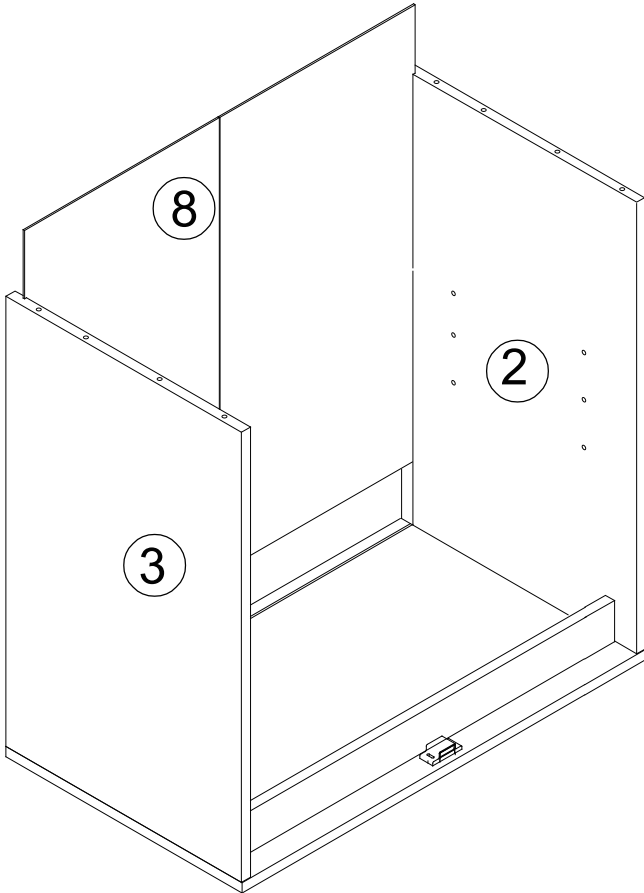
Step 4



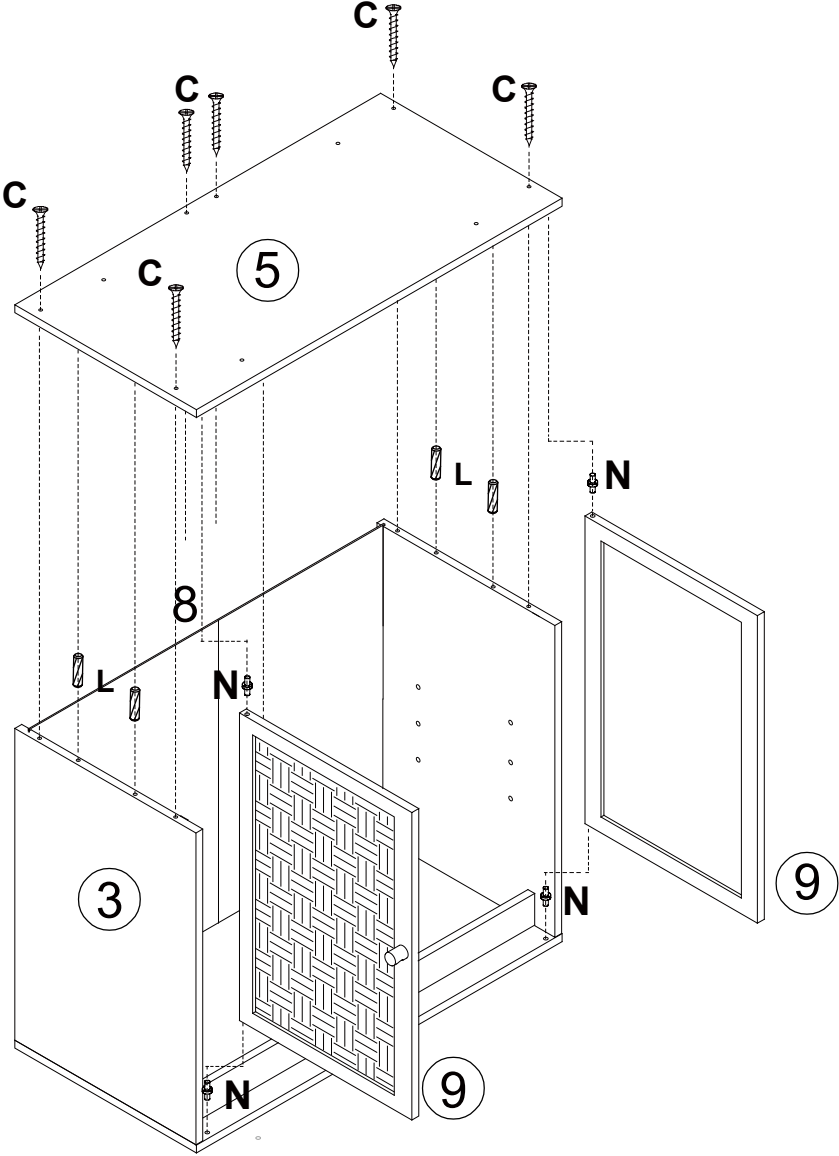
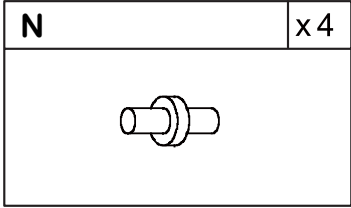
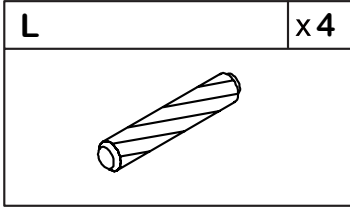
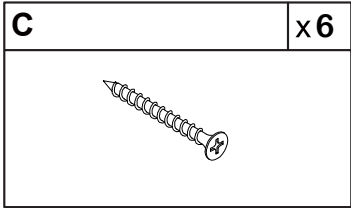
Step 5



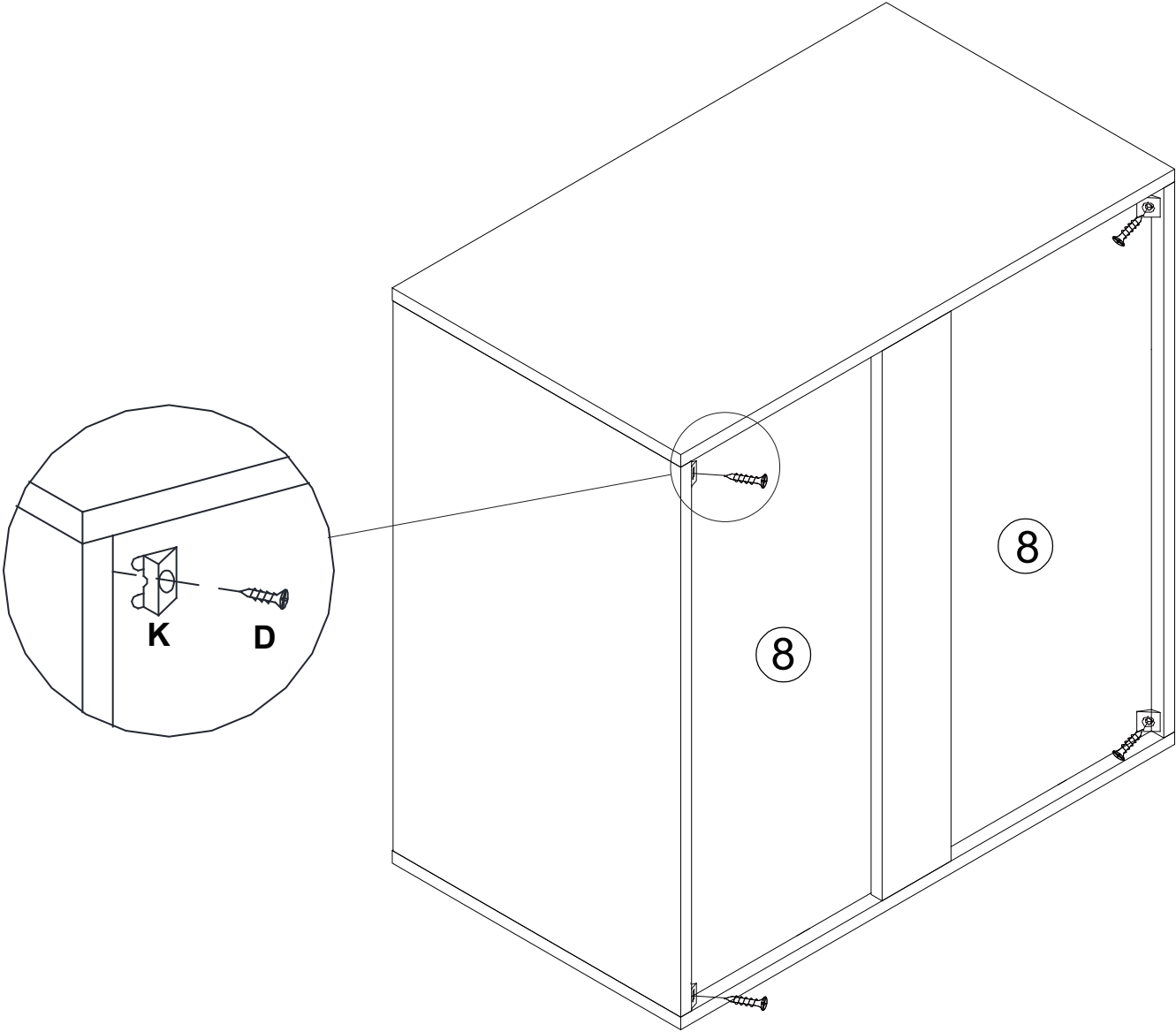
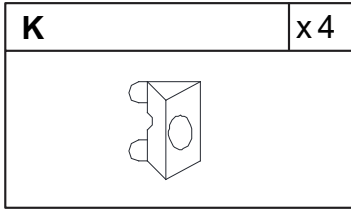
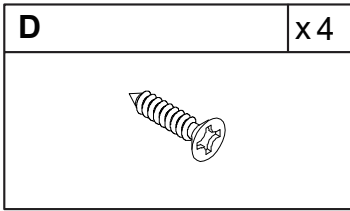
Step 6




Step 7

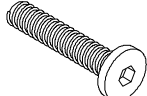


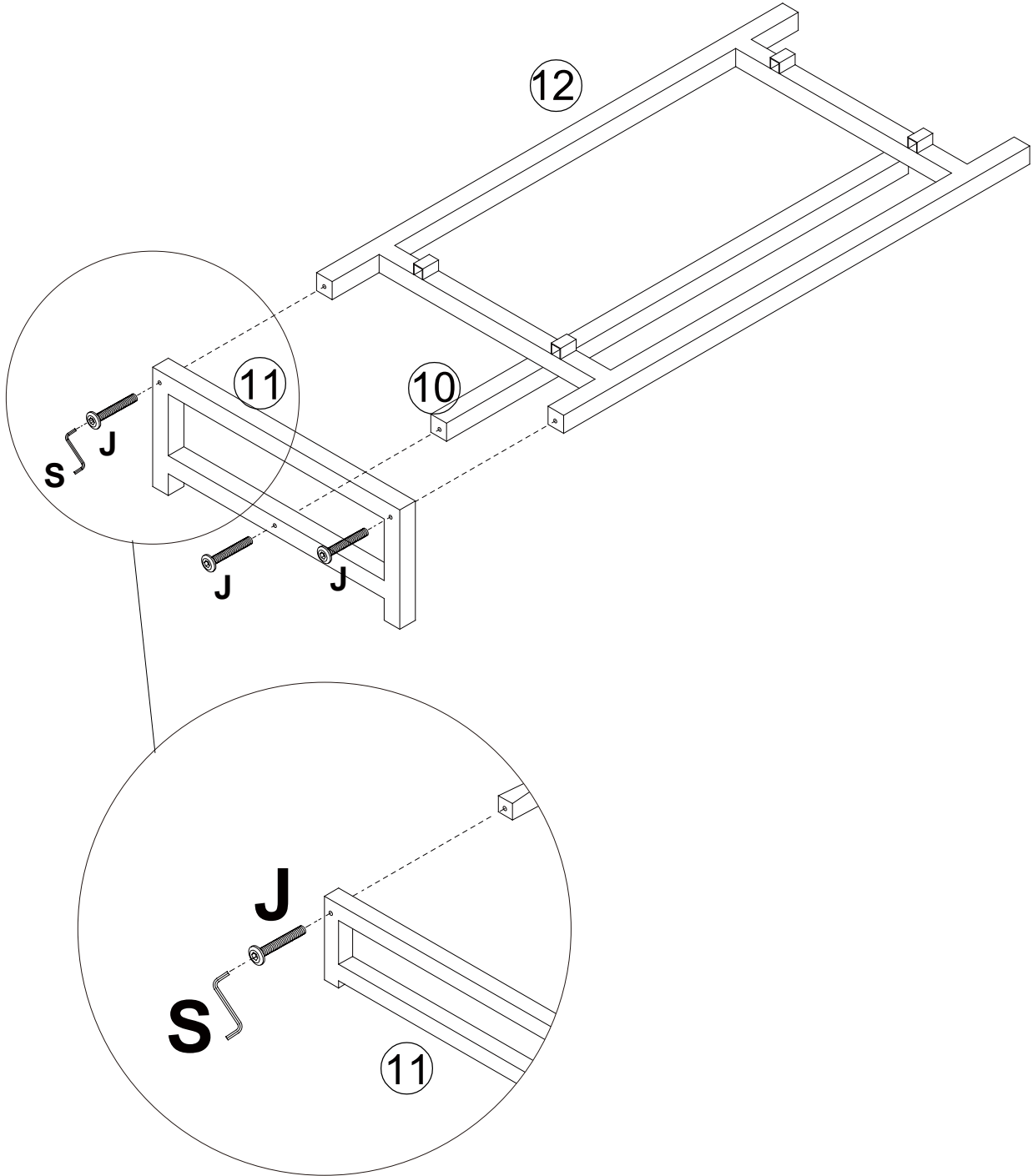
Step 8




Step 9

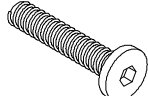
| | |
|--|-----------|
| S | x1 |
|  | |

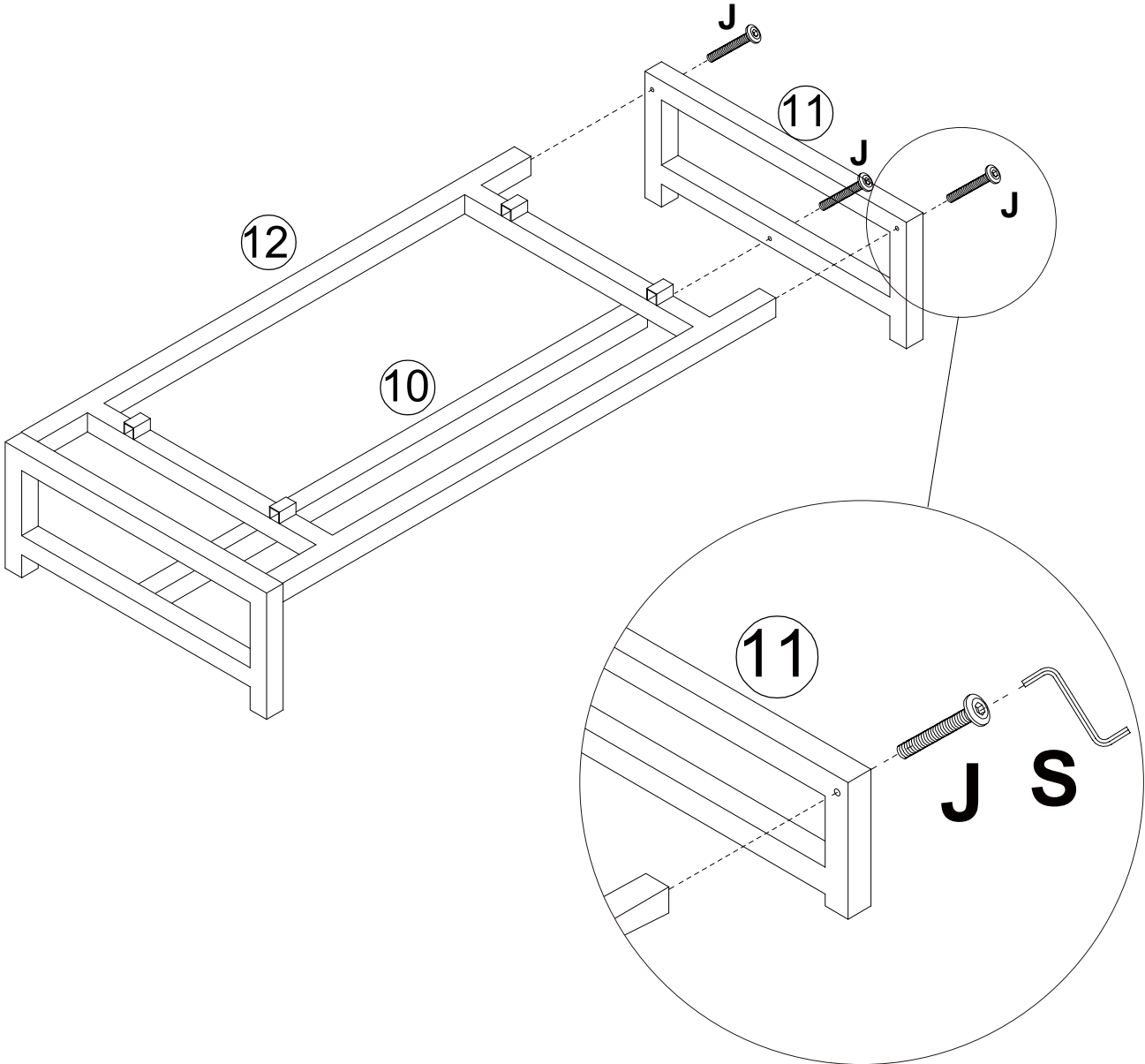
| | |
|---|-----------|
| J | x3 |
|  | |



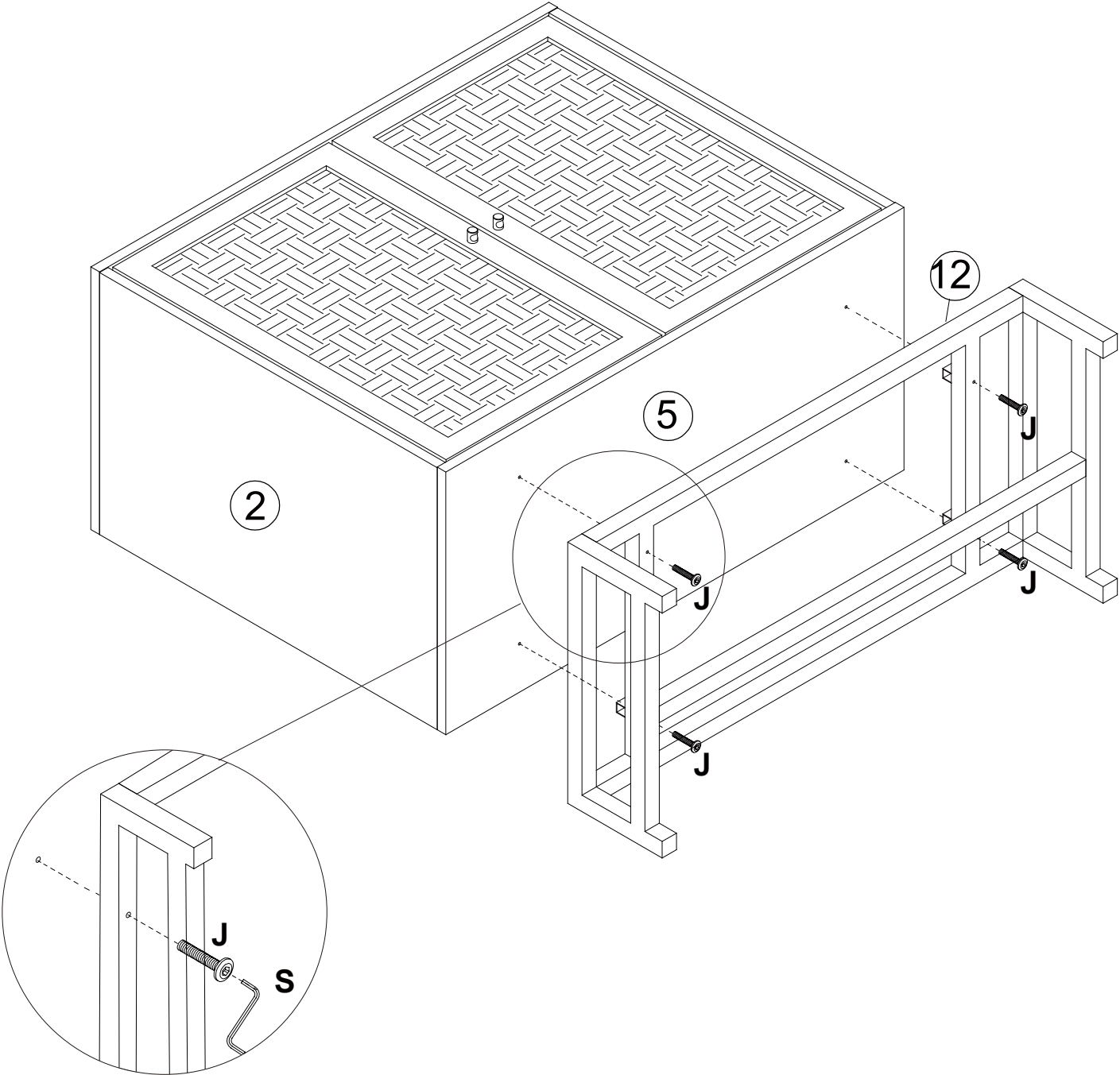
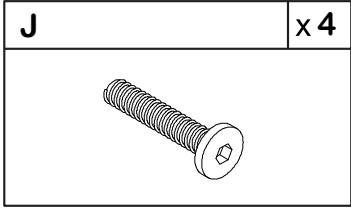
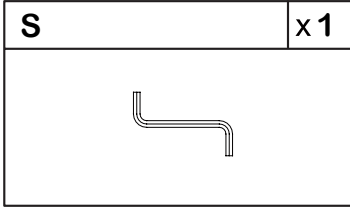
Step 10

| | |
|--|-----------|
| S | x1 |
|  | |

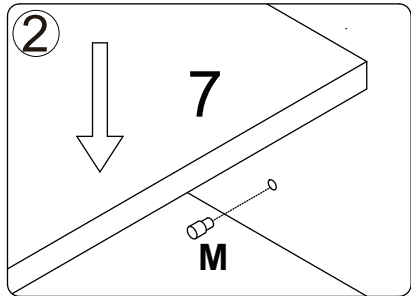
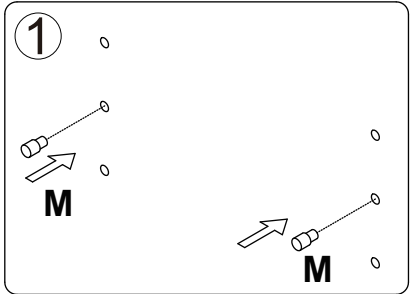
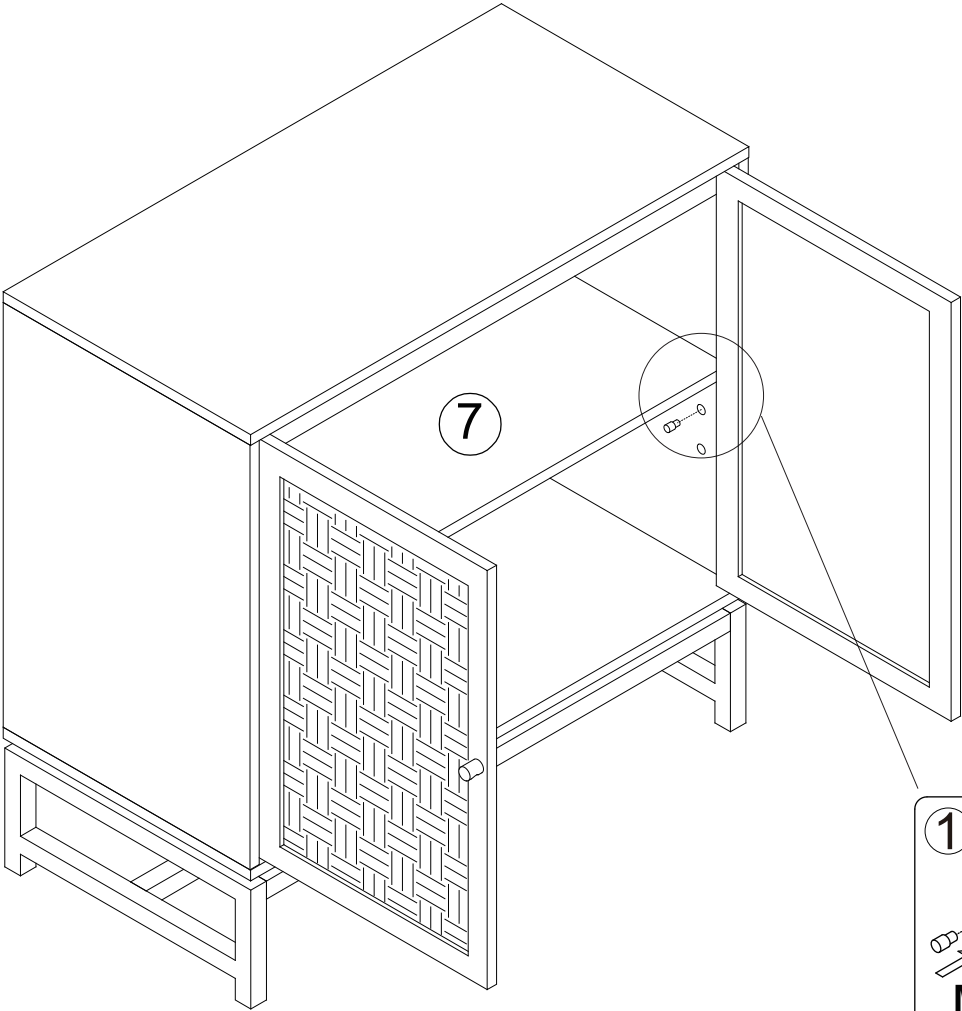
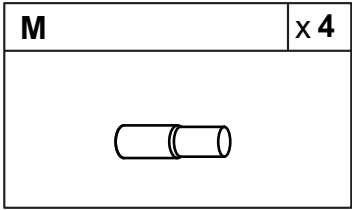
| | |
|---|-----------|
| J | x3 |
|  | |



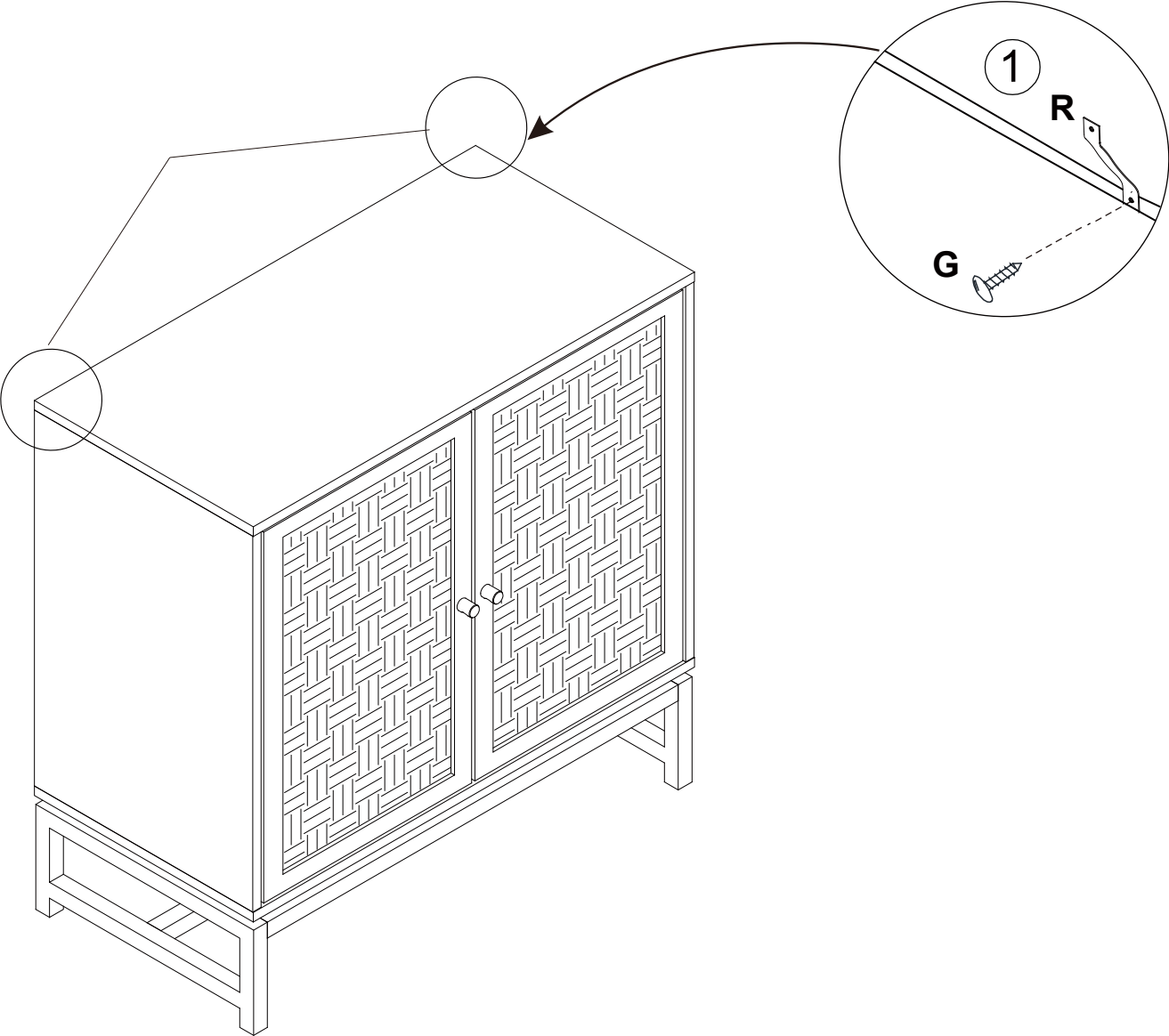
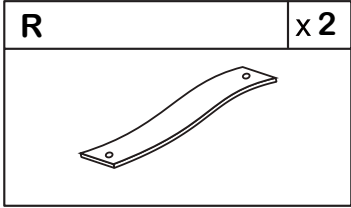
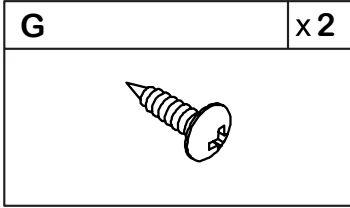
Step 11



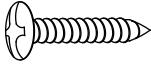
Step 12




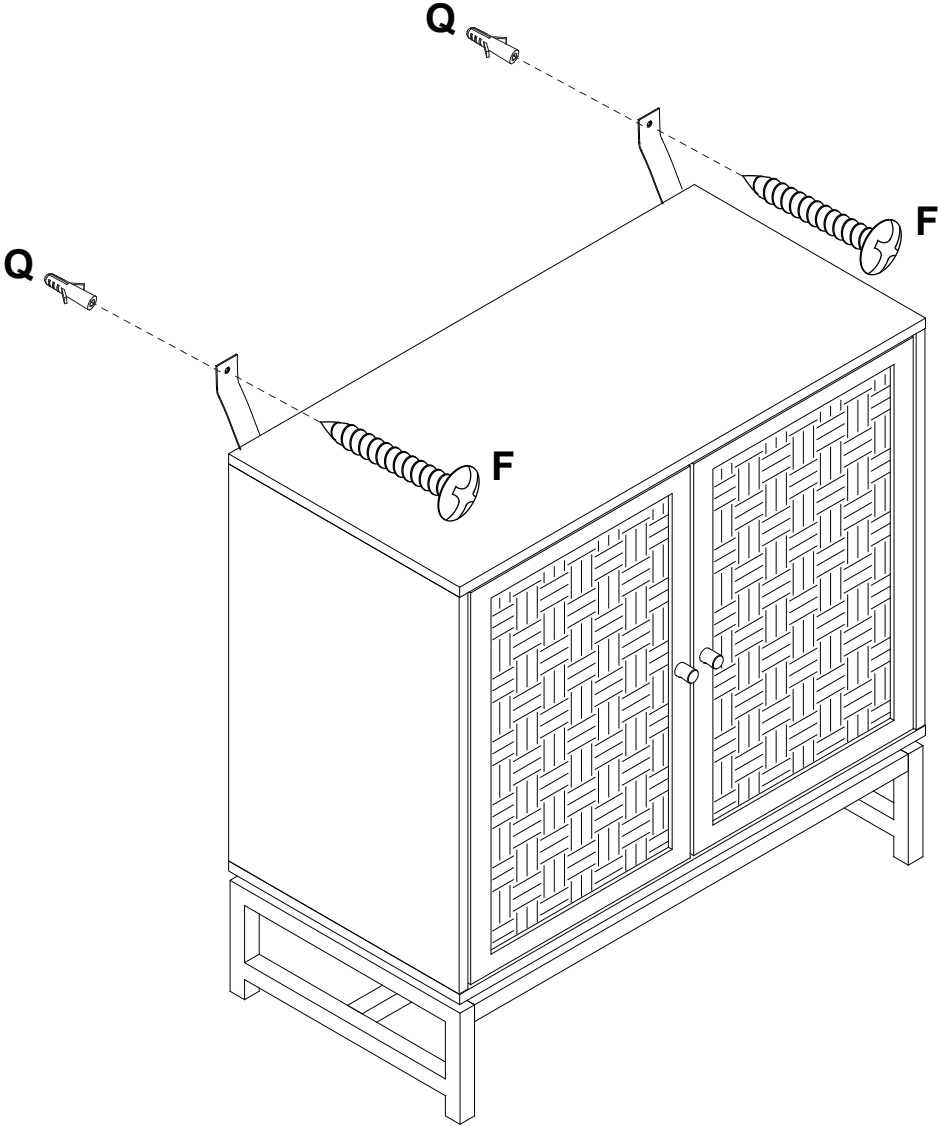
Step 13



Step 14

| | |
|--|------------|
| F | x 2 |
|  | |

| | |
|---|------------|
| Q | x 2 |
|  | |



Proper Use

- DO NOT** use for commercial purposes
- DO NOT** use as a step stool or stand on table
- DO NOT** put hot serving liquid directly on the table top
- DO NOT** leave spilled liquid on the table top
- DO NOT** use table if damaged
- DO NOT** exceed weight limit
- DO NOT** make temporary repairs
- DO NOT** use outdoor