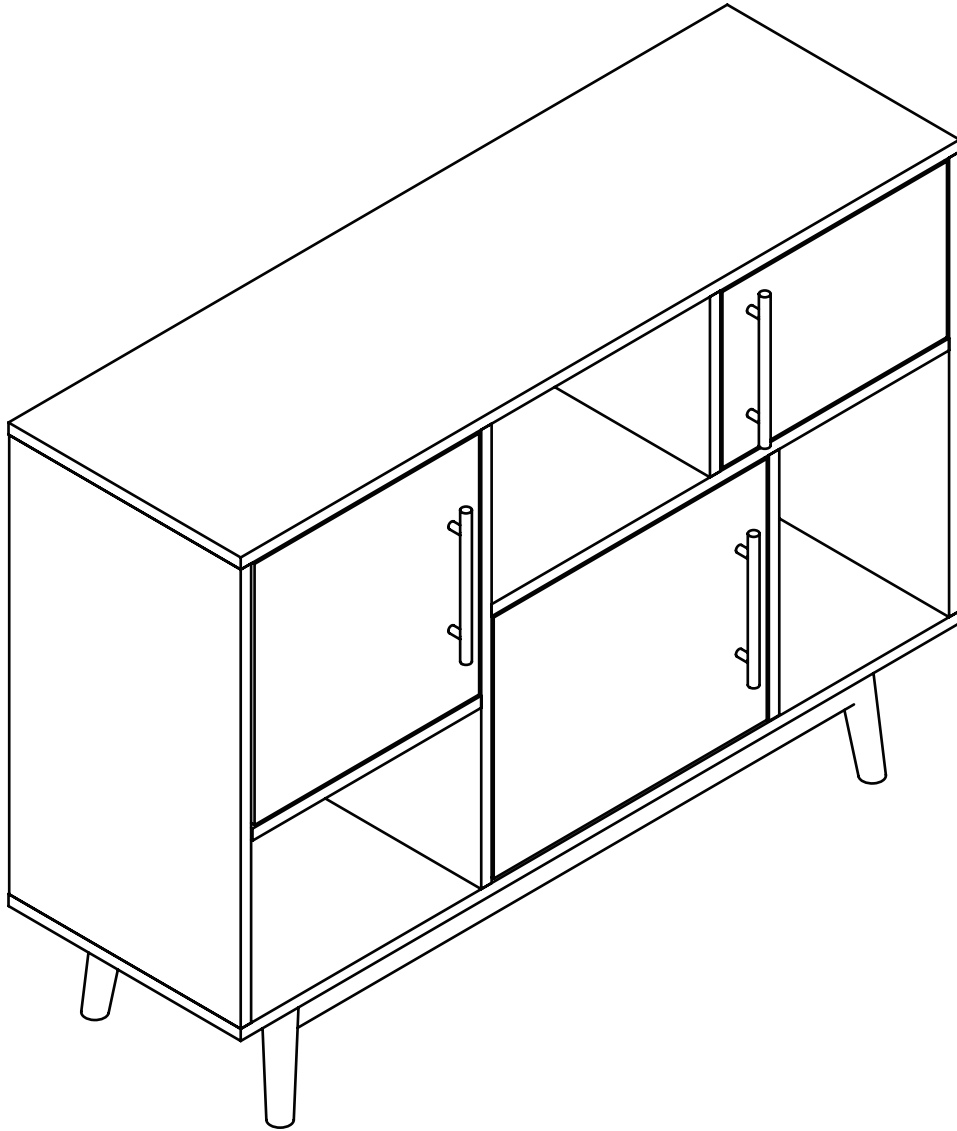


# Installation Instruction



Product name

---

**W68830377**

# Assembling

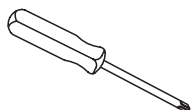
## Estimated time for assembly



70:00

## What you need

- Use the packaging carton as a working surface to prevent product damage during assembly
- Phillips head screwdriver



## Weight Limitation



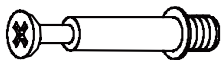
200 | 22  
lbs per cabinet

# What's included

Code	Description	Qty
A	Cam Bolt	14
B	Cam Lock	14
C	Screw M4X40MM	24
D	Screw M4X25MM	16
E	Screw M3X10MM	6
F	Screw M3X14MM	6
G	Bolt M4X20MM	6
H	Screw M4X12MM	6
I	Bolt M6X60MM	8
J	Magnetic Cabinet Catcher	3
K	Handle	3
L	Wooden Dowel M6x30MM	36
M	Cabinet Swing Hinge	6
N	Allen Key	1
O	Plastic Strip	1
P	Screw M4X35MM	2
Q	Metal "L" Bracket	2
R	Wall Anchor	2

# The Hardwares

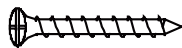
A



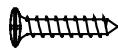
B



C



D



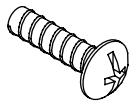
E



F



G



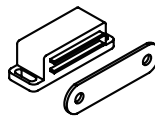
H



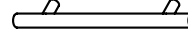
I



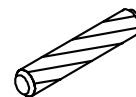
J



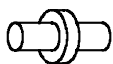
K



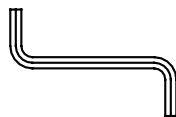
L



M



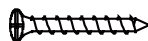
N



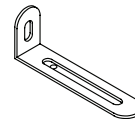
O



P



Q



R



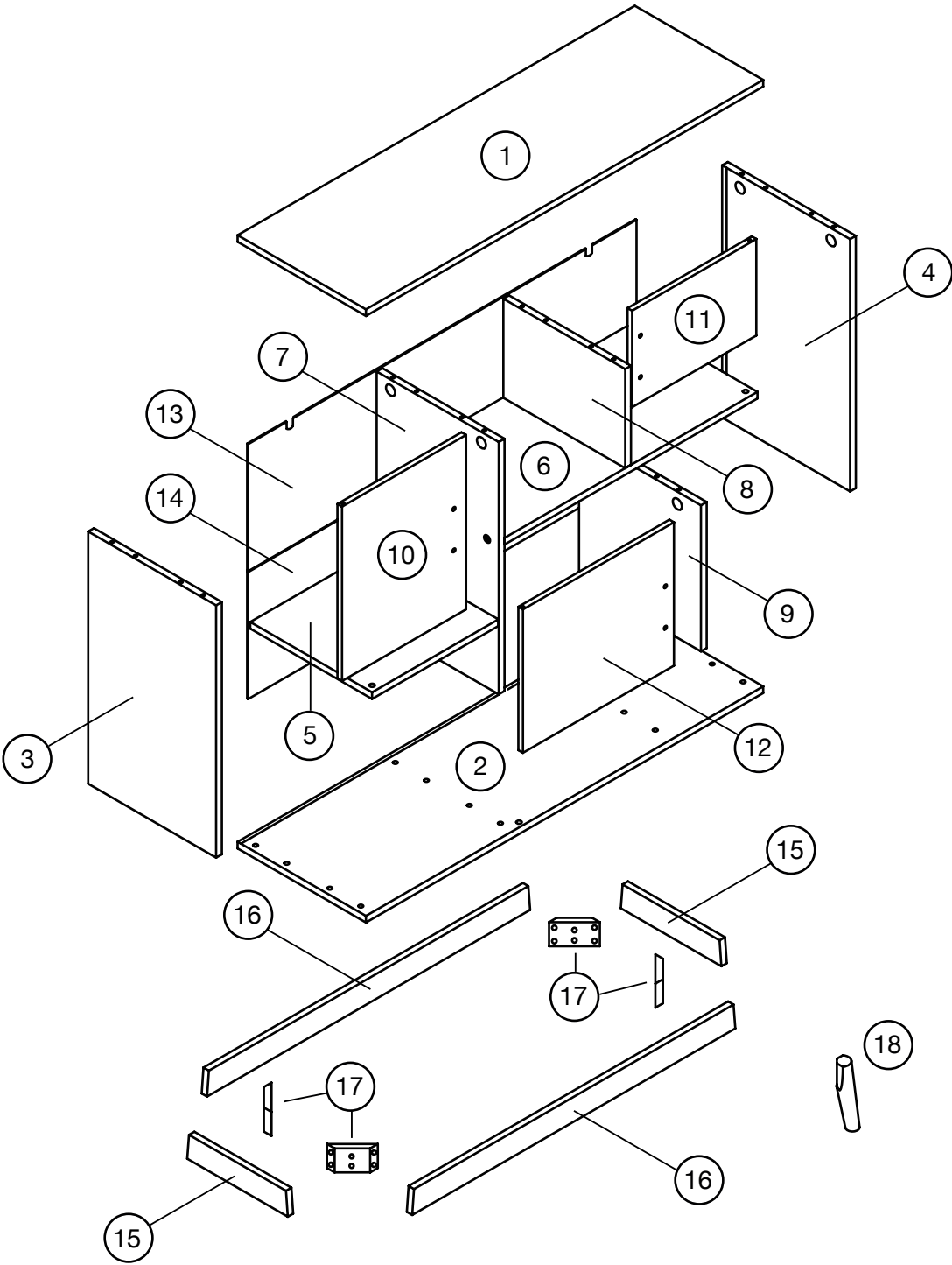
## IMPORTANT:

1. Do not tighten bolts / screws completely until all bolts / screws are lined up and inserted into holes.
2. Do not over tighten screws and bolts to avoid stripping.
3. Please use hand tools to assemble this product. Do not use power tools.

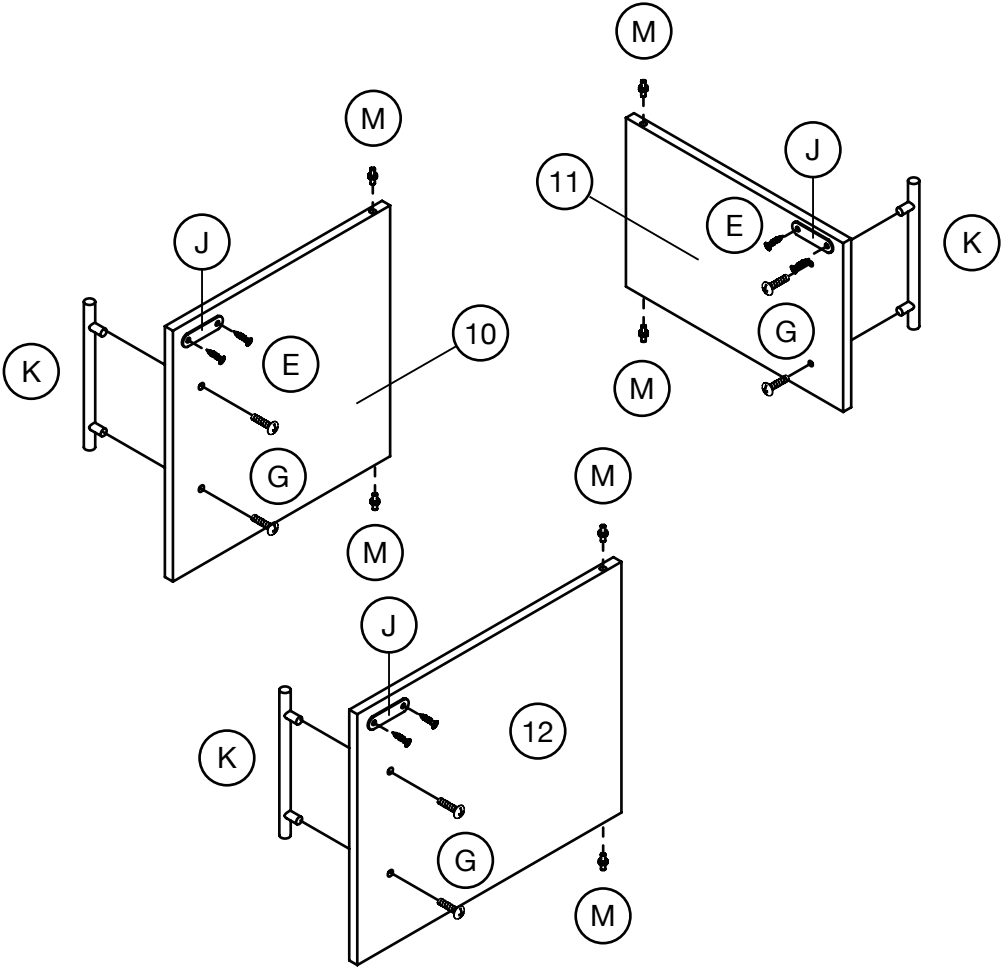
# Included Accessories

Code	Description	Qty	Code	Description	Qty
1	Top Panel	1	10	Left Front Cabinet Door	1
2	Bottom Panel	1	11	Right Front Cabinet Door	1
3	Left Side Panel	1	12	Center-Middle Front Cabinet Door	1
4	Right Side Panel	1	13	Back Panel	1
5	Left Shelf Divider	1	14	Back Panel	1
6	Middle Shelf Divider	1	15	Left Side Apron Board	2
7	Middle Seperator Panel	1	16	Back Apron Board	2
8	Right Seperator Panel	1	17	Corner Apron Connectors	4
9	Bottom Right Seperator Panel	1	18	Feet	4

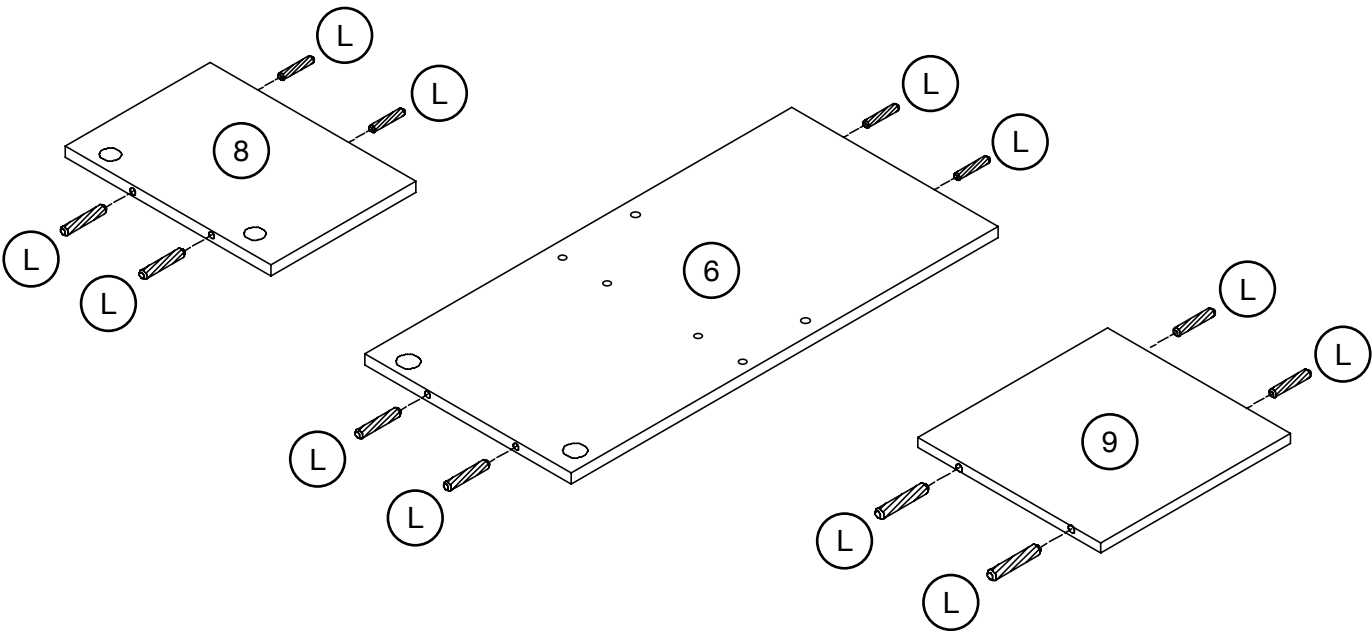
# The Accessoriess



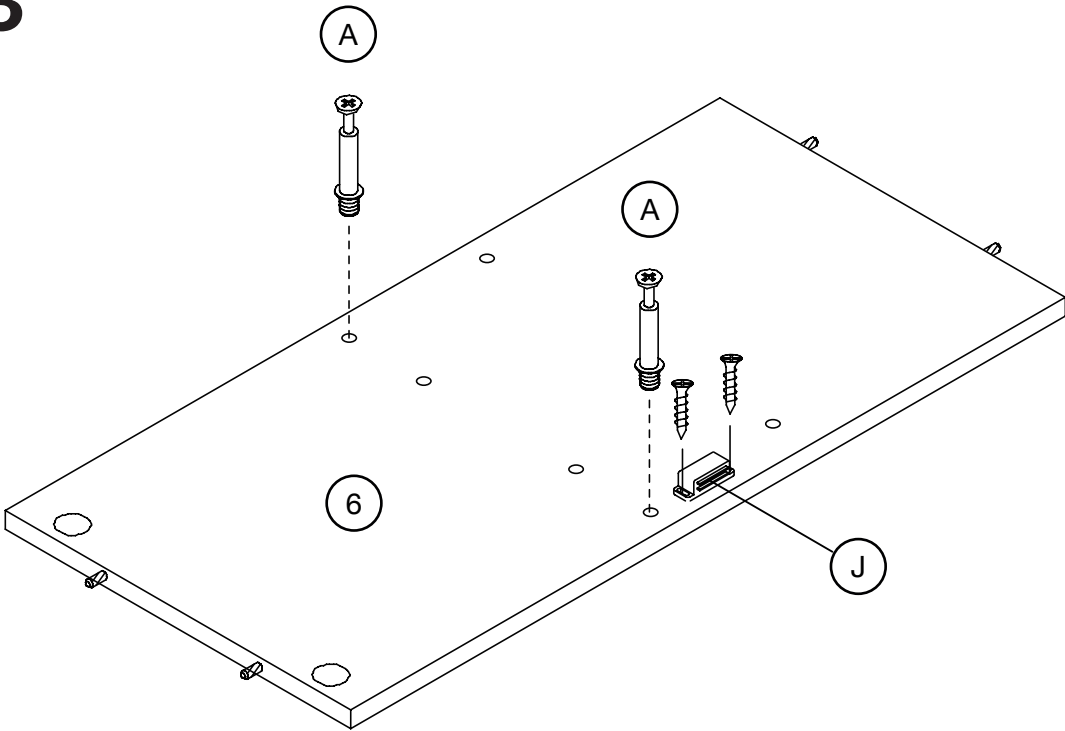
# Step 1



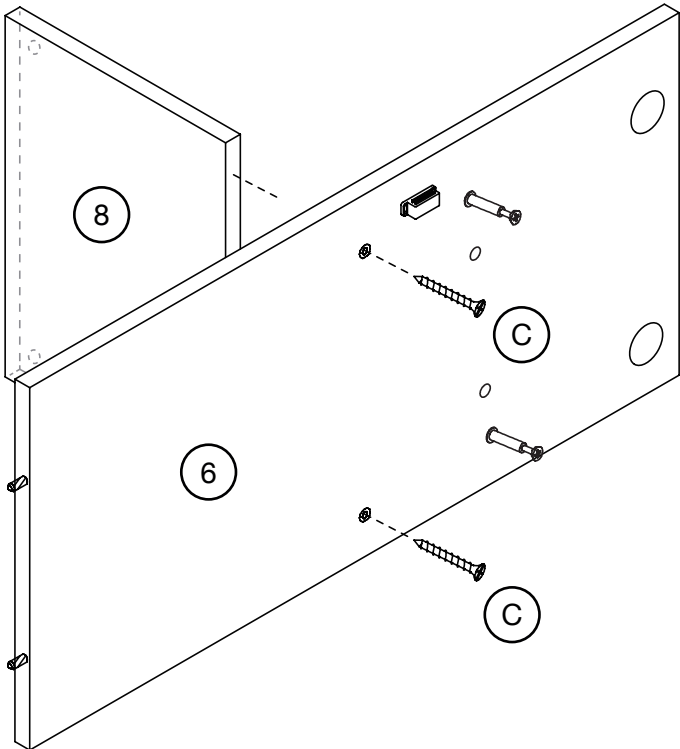
# Step 2



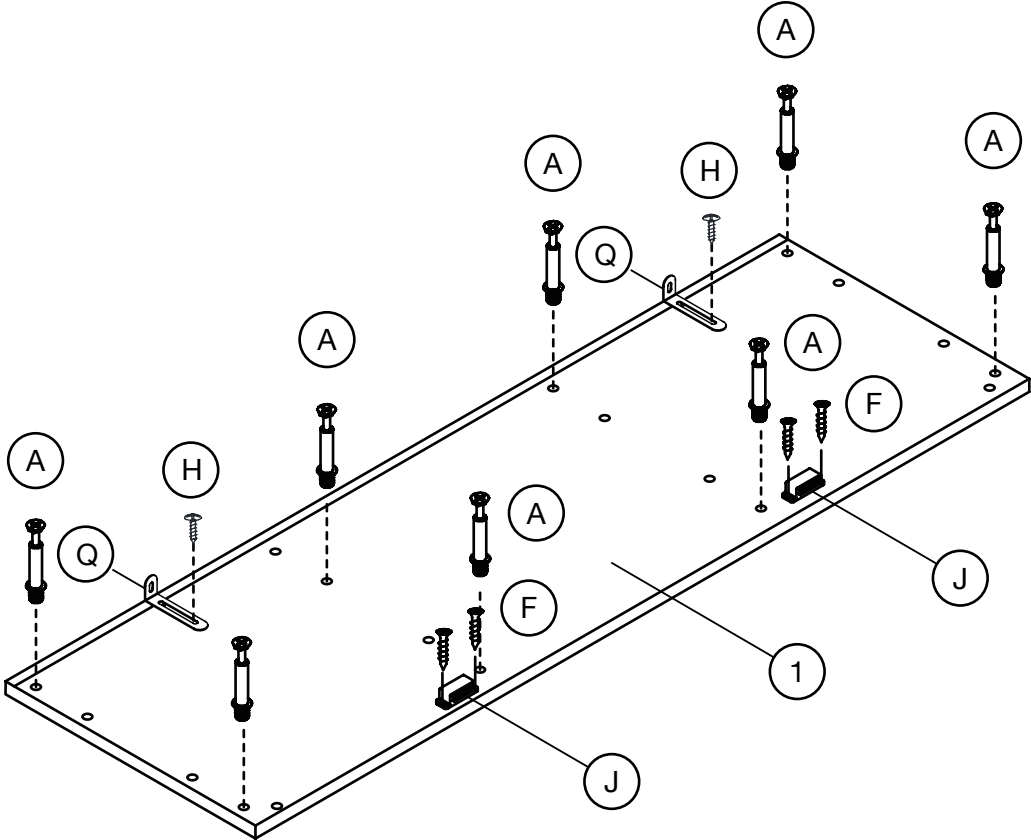
# Step 3



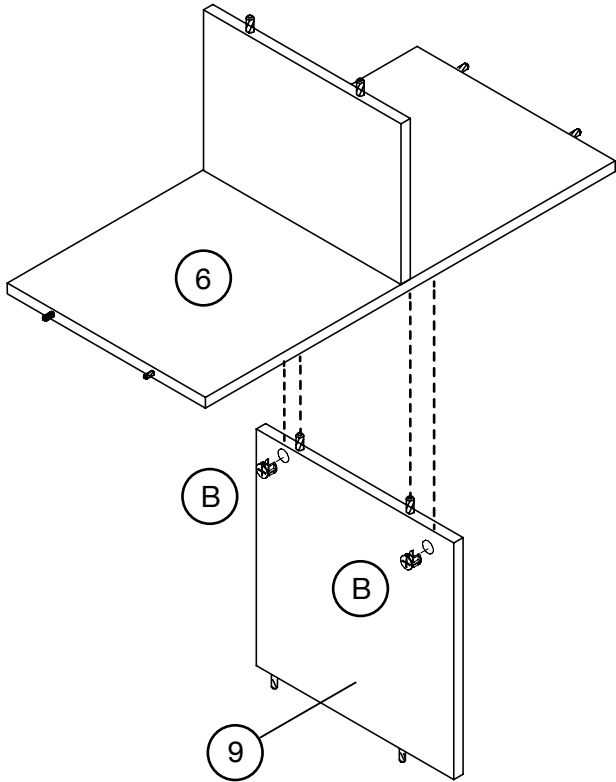
# Step 4



# Step 5

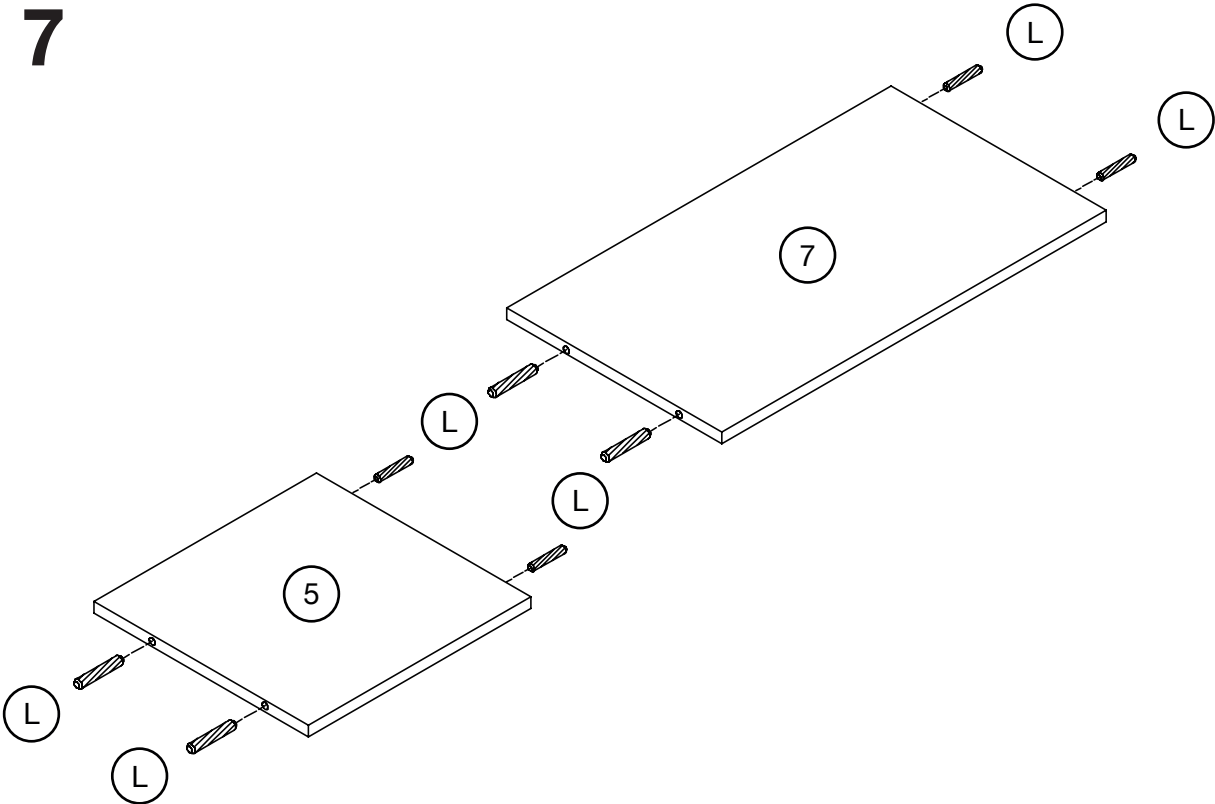


# Step 6

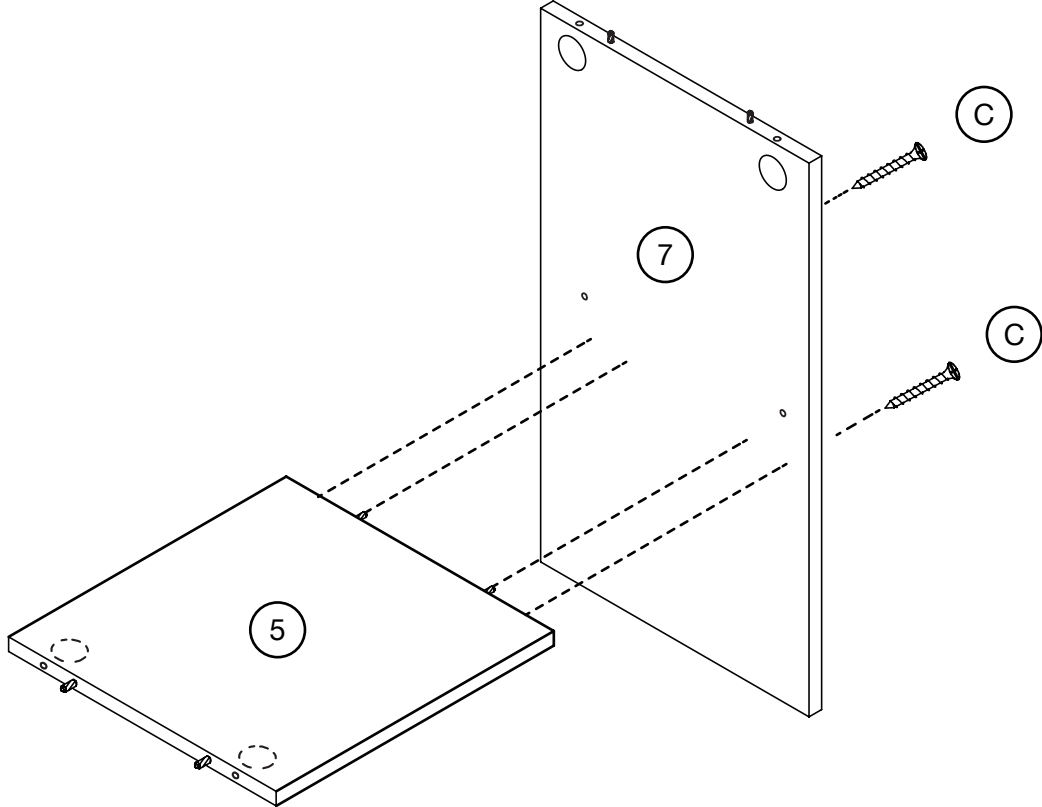




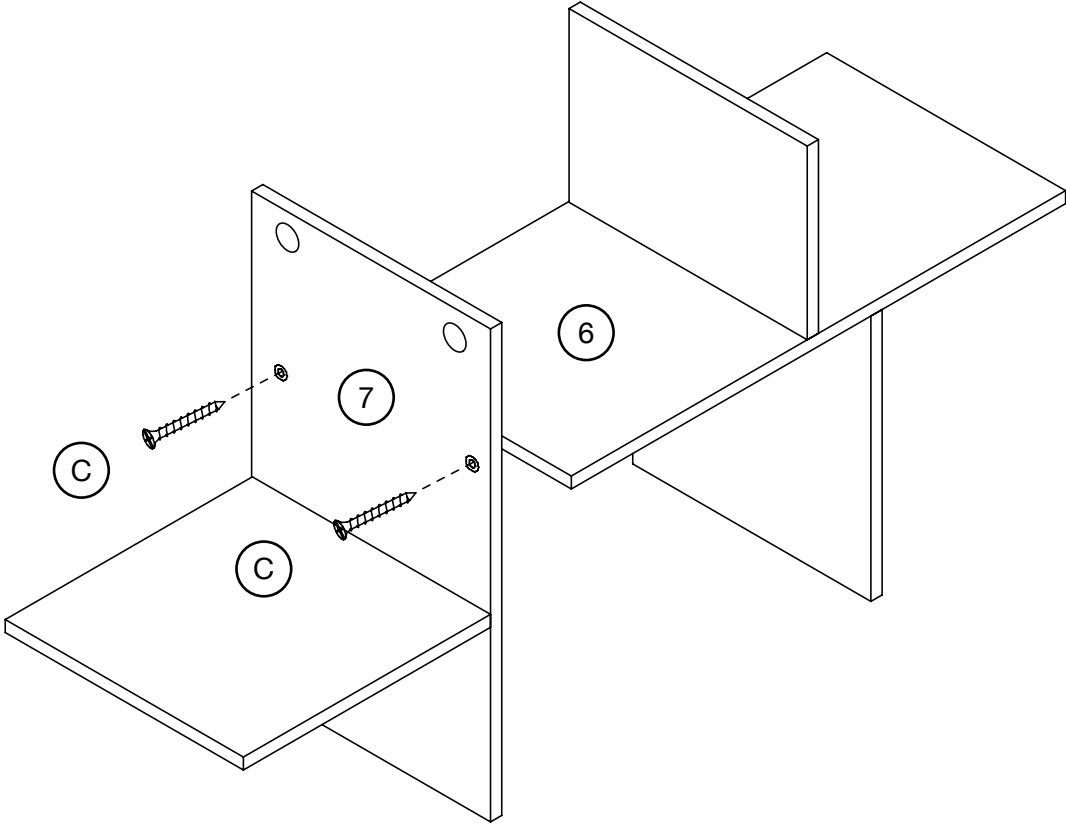
# Step 7



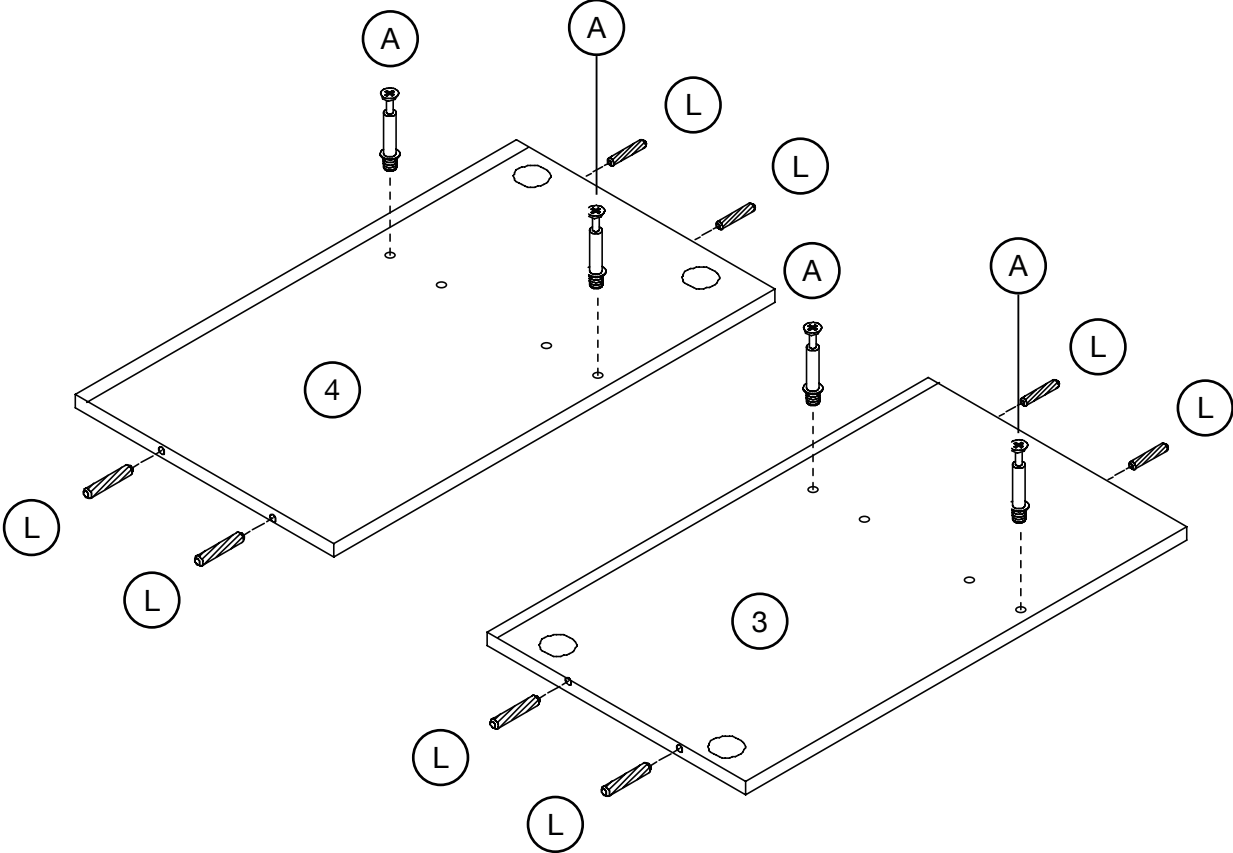
# Step 8



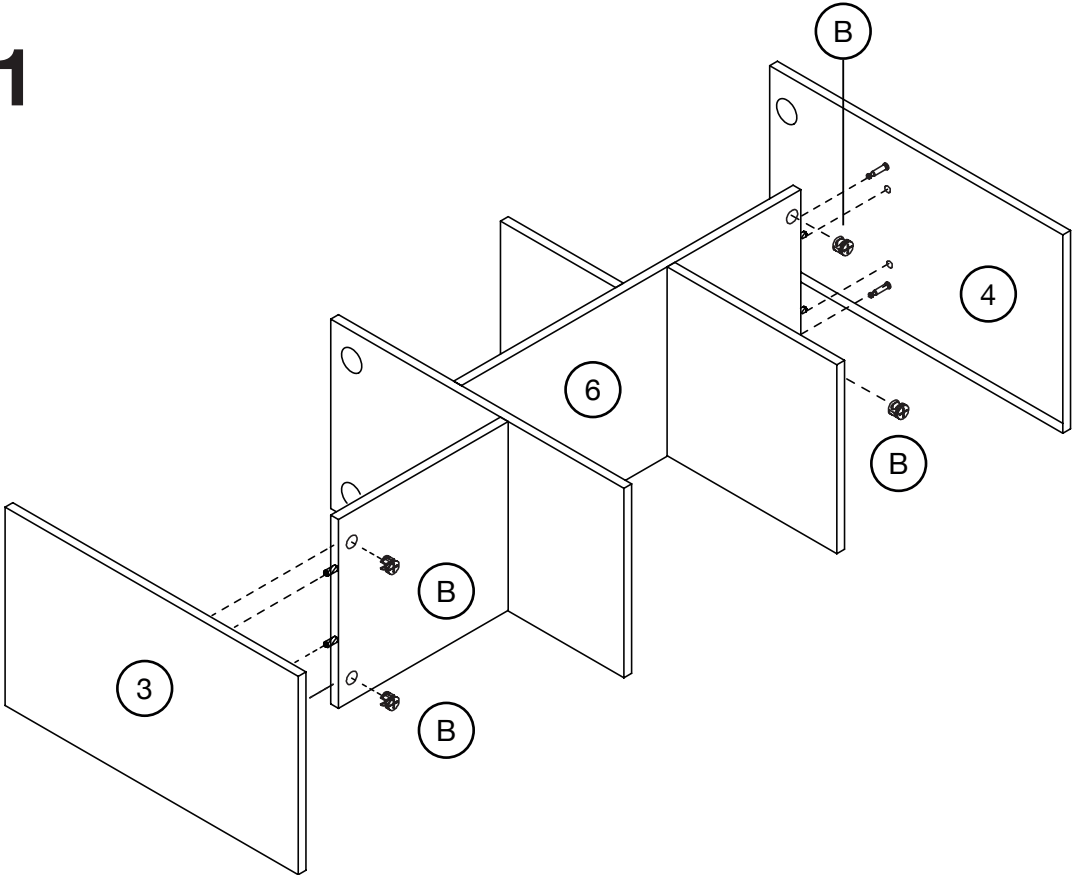
# Step 9



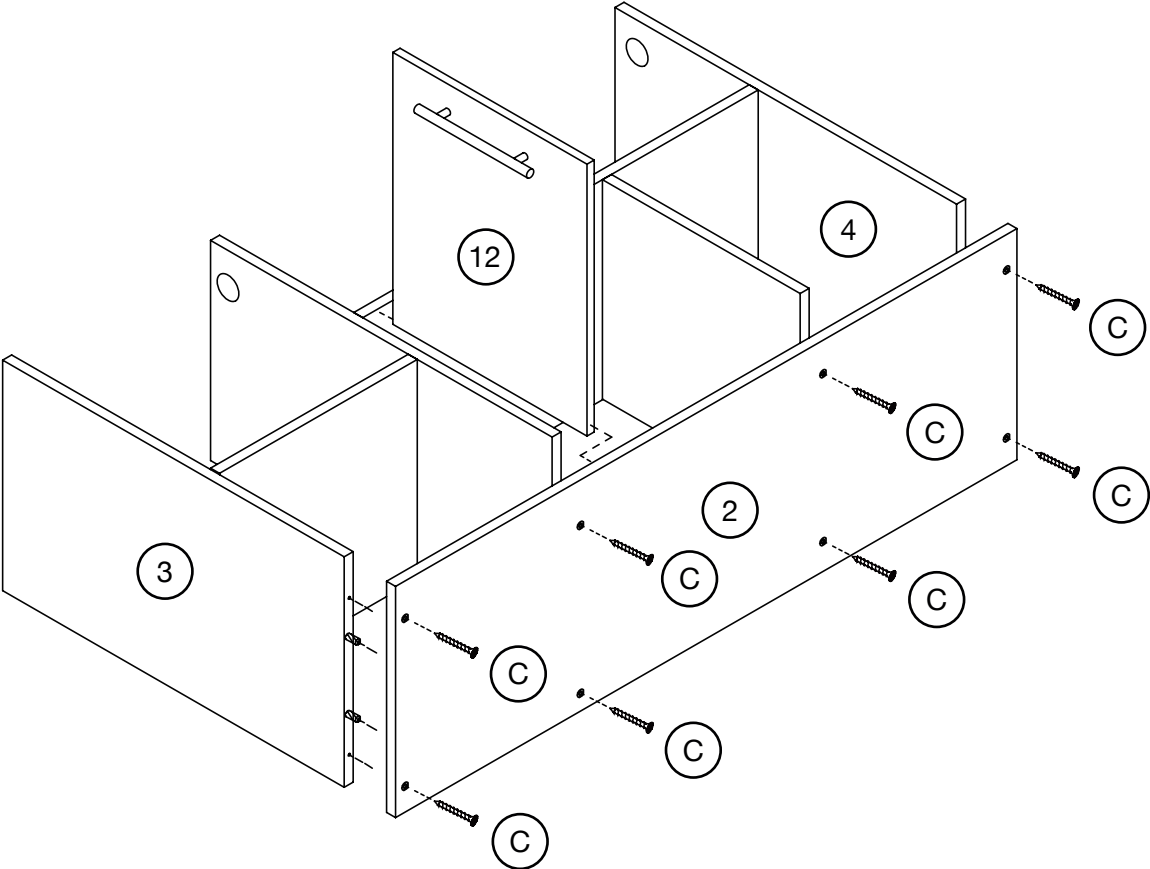
# Step 10



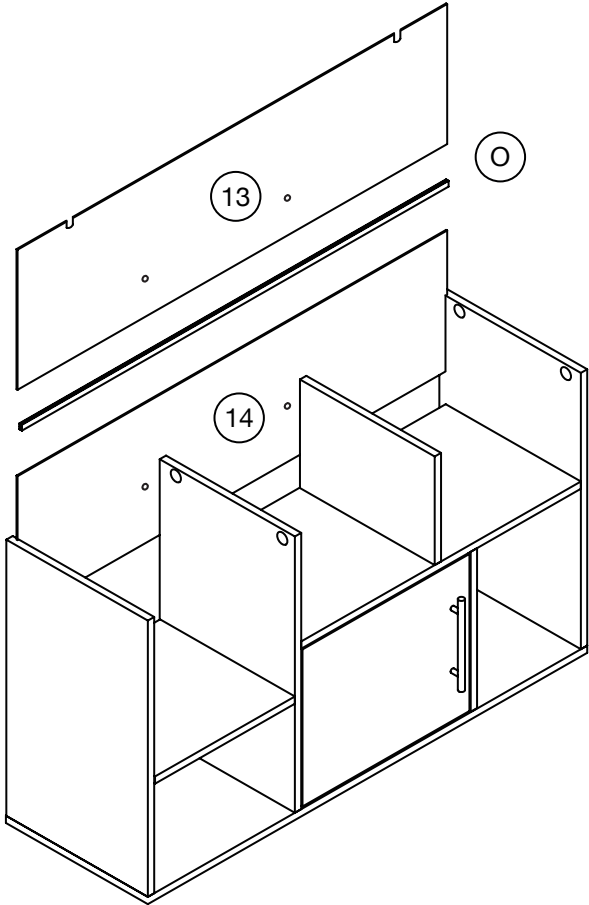
# Step 11



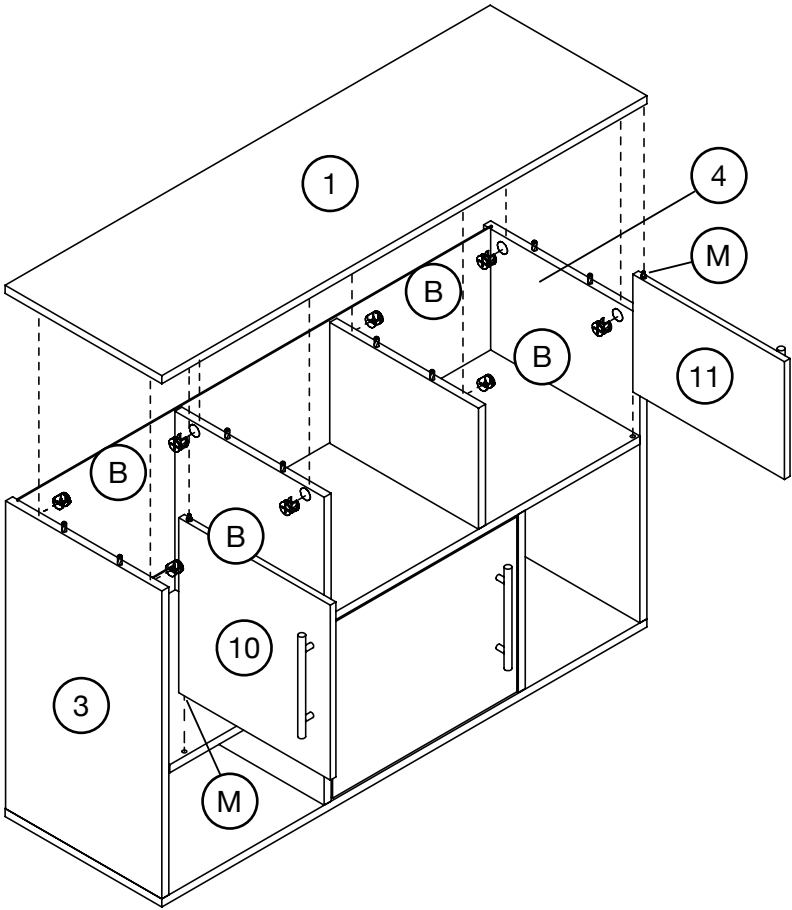
# Step 12



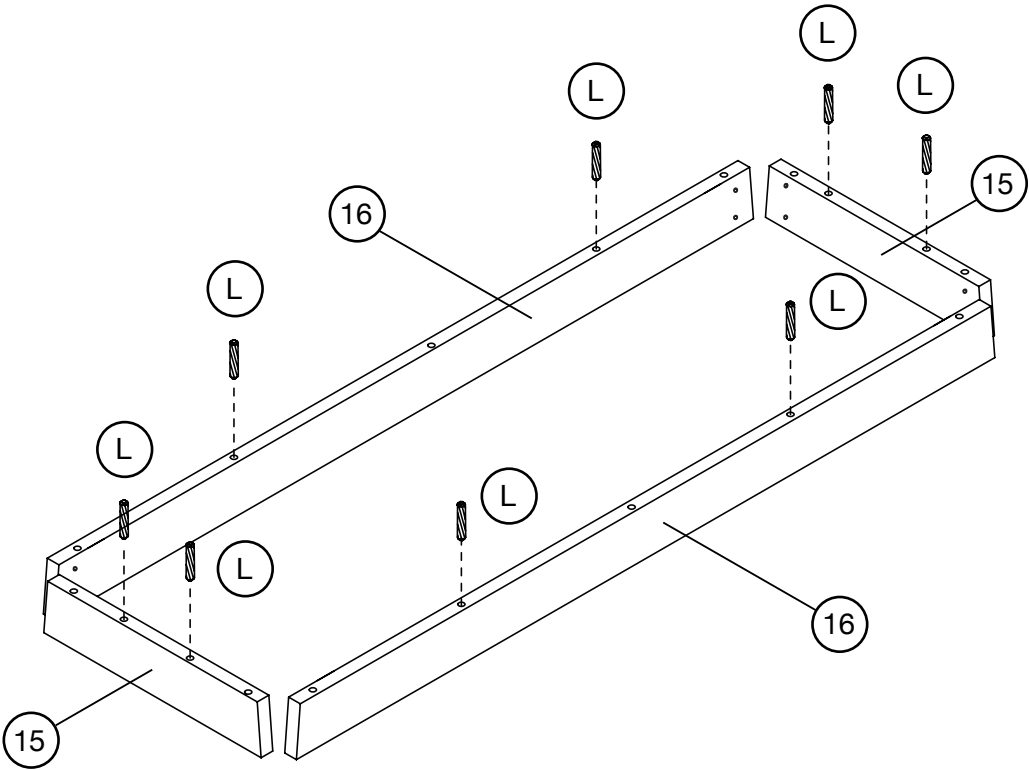
# Step 13



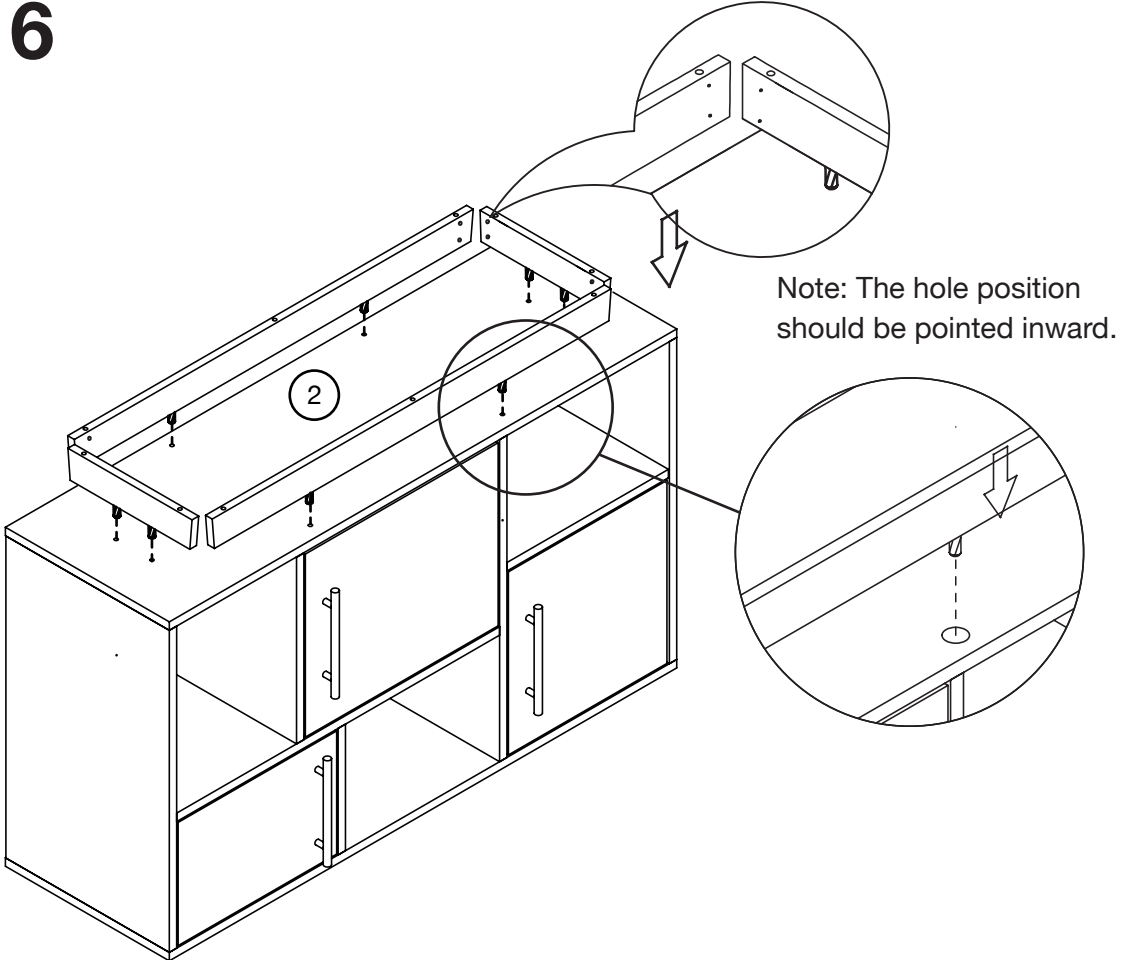
# Step 14



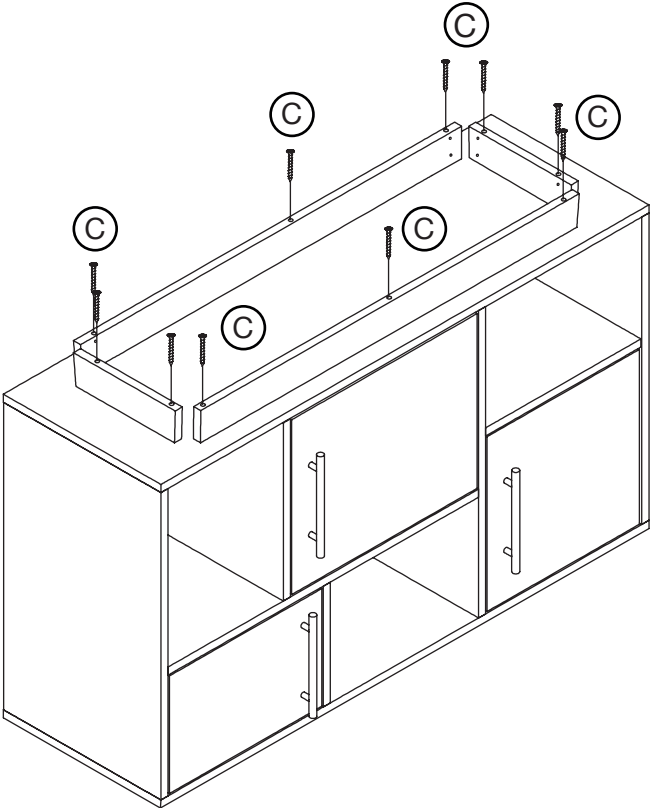
# Step 15



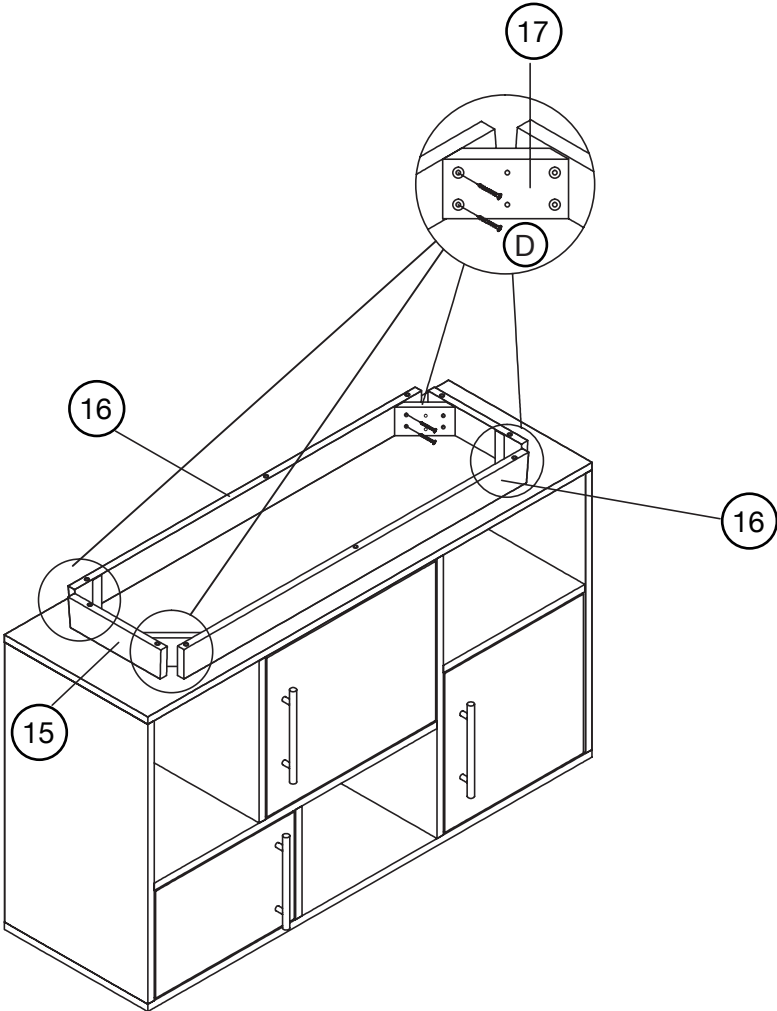
# Step 16



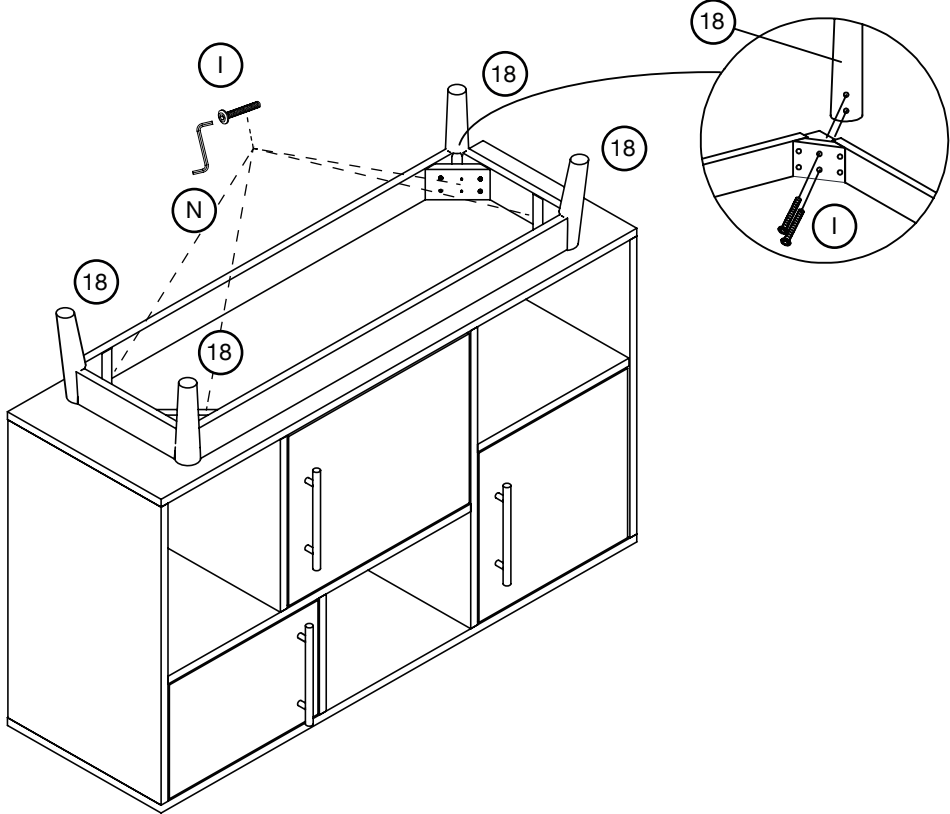
# Step 17



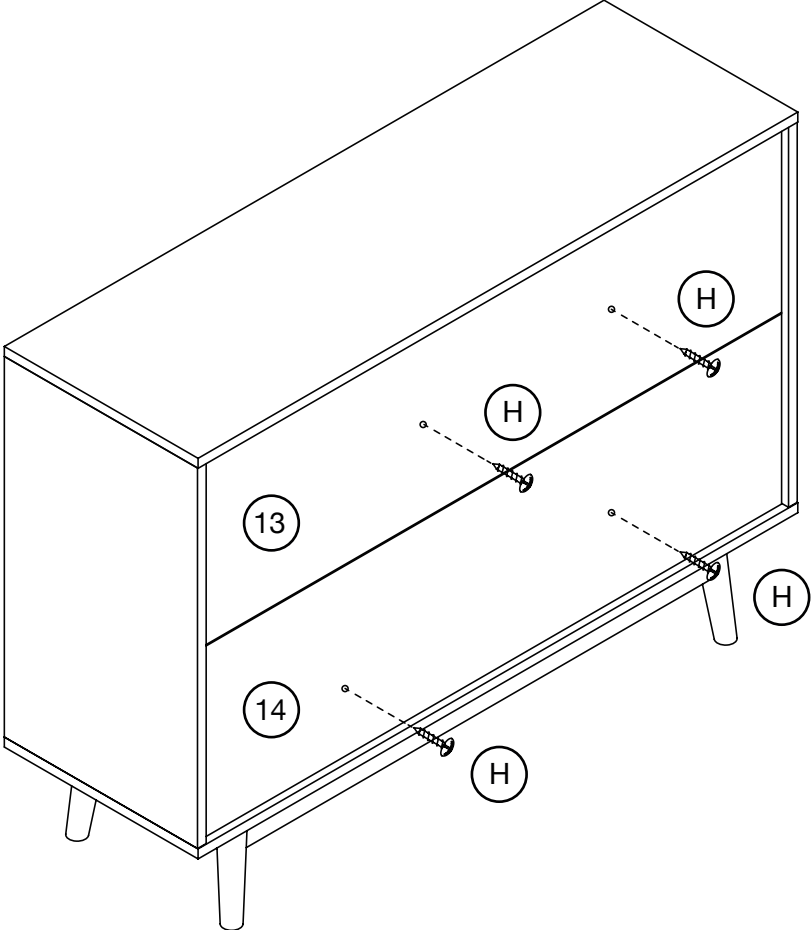
# Step 18



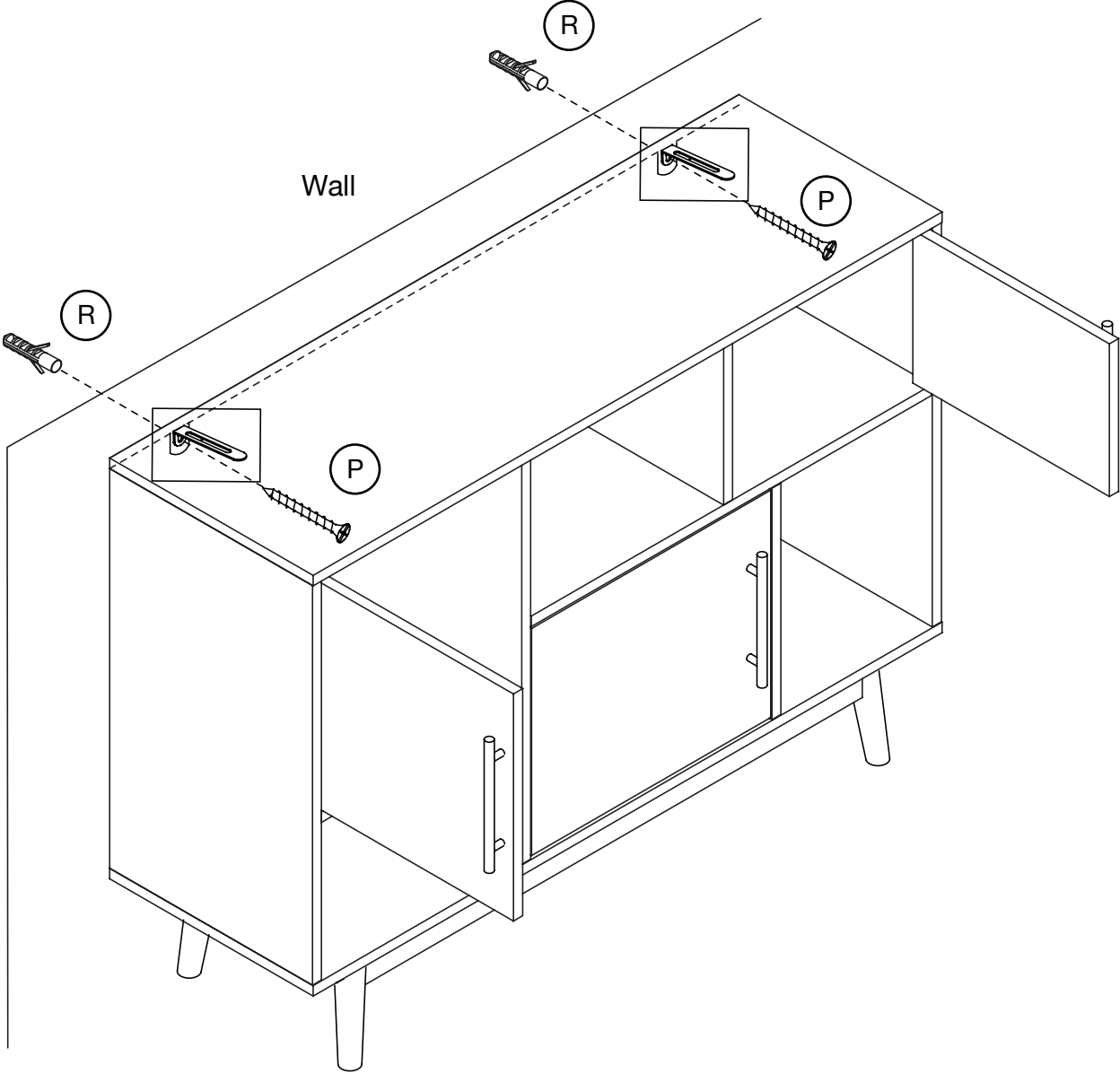
# Step 19



# Step 20



# Step 21





# Proper Use

- DO NOT** use for commercial purposes
- DO NOT** use as a step stool or stand on table
- DO NOT** put hot serving liquid directly on the table top
- DO NOT** leave spilled liquid on the table top
- DO NOT** use table if damaged
- DO NOT** exceed weight limit
- DO NOT** make temporary repairs
- DO NOT** use outdoor