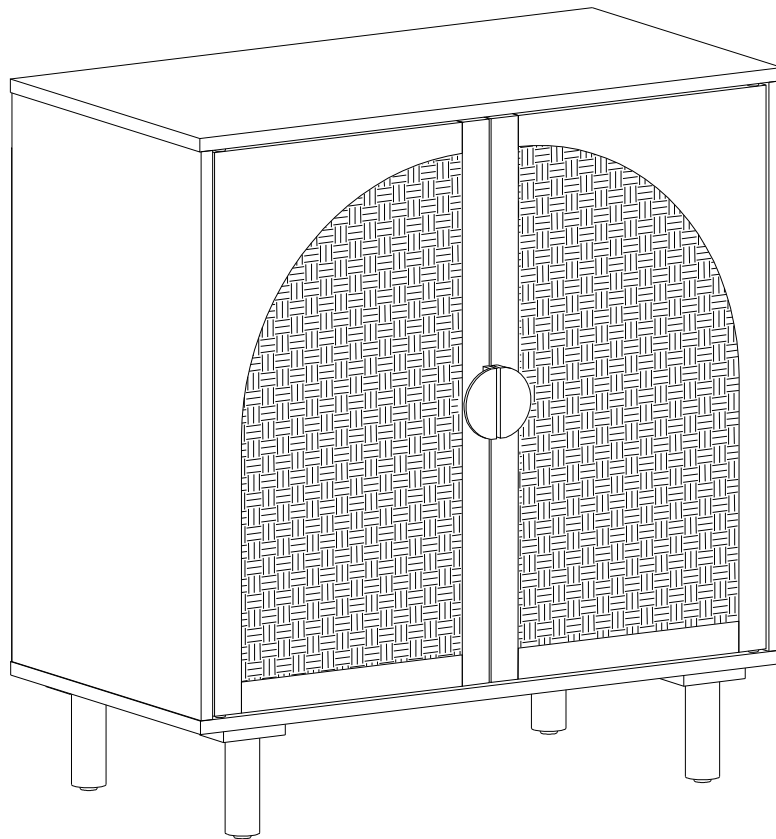


Installation Instruction



Product name

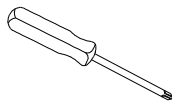
2 Door Cabinet

Ver.1.0 20230920

Assembling

What you need

- Use the packaging carton as a working surface to prevent product damage during assembly
- Phillips head screwdriver



Weight Limitation



44 | 22
lbs table top | lbs per shelf



2 PERSONS

What's included

Code	Description	Qty
A	Cam Lock 15 x 12 mm	15
B	Metal Support	5
C	Cam Bolts 6 x 34 mm	15
D	Wooden Dowel M8 x 30 mm	15
E	Handle	2
F	Magnetic Door Catcher	2
G	Flat Head Screw M4 x 28 mm	17
H	Flat Head Screw M4 x 50 mm	5
I	Bolt 5/32" x 19 mm	5
J	Wood Screw M3.5 x 15 mm	5
K	Washer Head Screw M3.5 x 15 mm	19
L	Round Head Screw M4x32 mm	2
M	Round Head Screw M4x18 mm	2
N	Anchor M6x30 mm	2
O	Metal Plate	4
P	Plastic Strap	2

The Hardwares

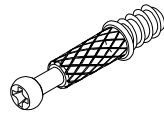
A



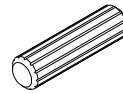
B



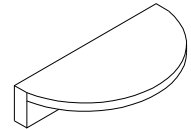
C



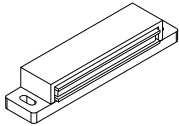
D



E



F



G



H



I



J



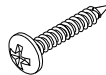
K



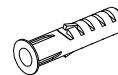
L



M



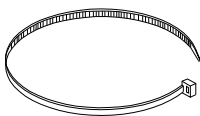
N



O



P



IMPORTANT:

1. Do not tighten bolts / screws completely until all bolts / screws are lined up and inserted into holes.
2. Do not over tighten screws and bolts to avoid stripping.
3. Please use hand tools to assemble this product. Do not use power tools.
4. Must need 2 people to assemble this product.

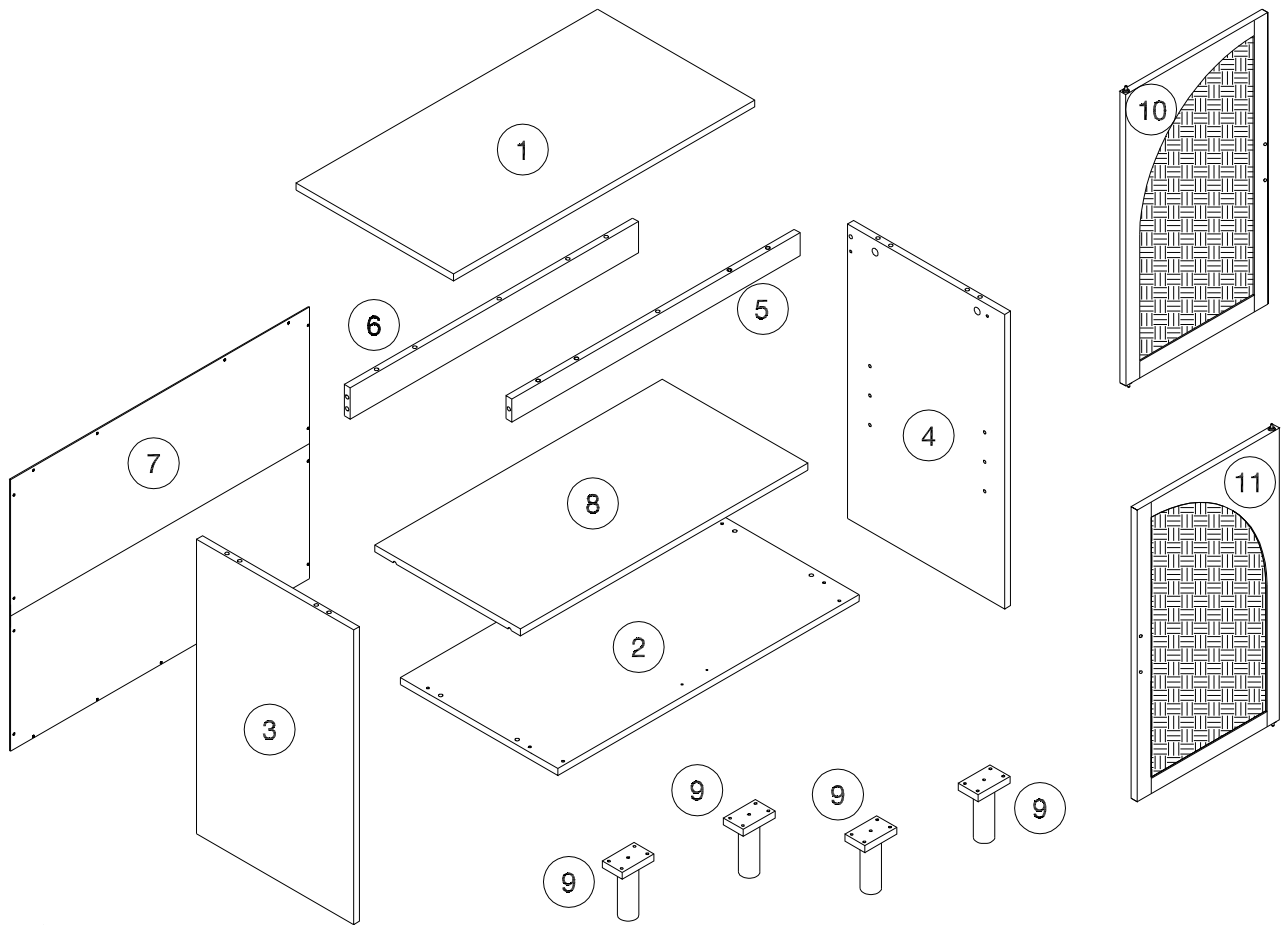


2 PERSONS

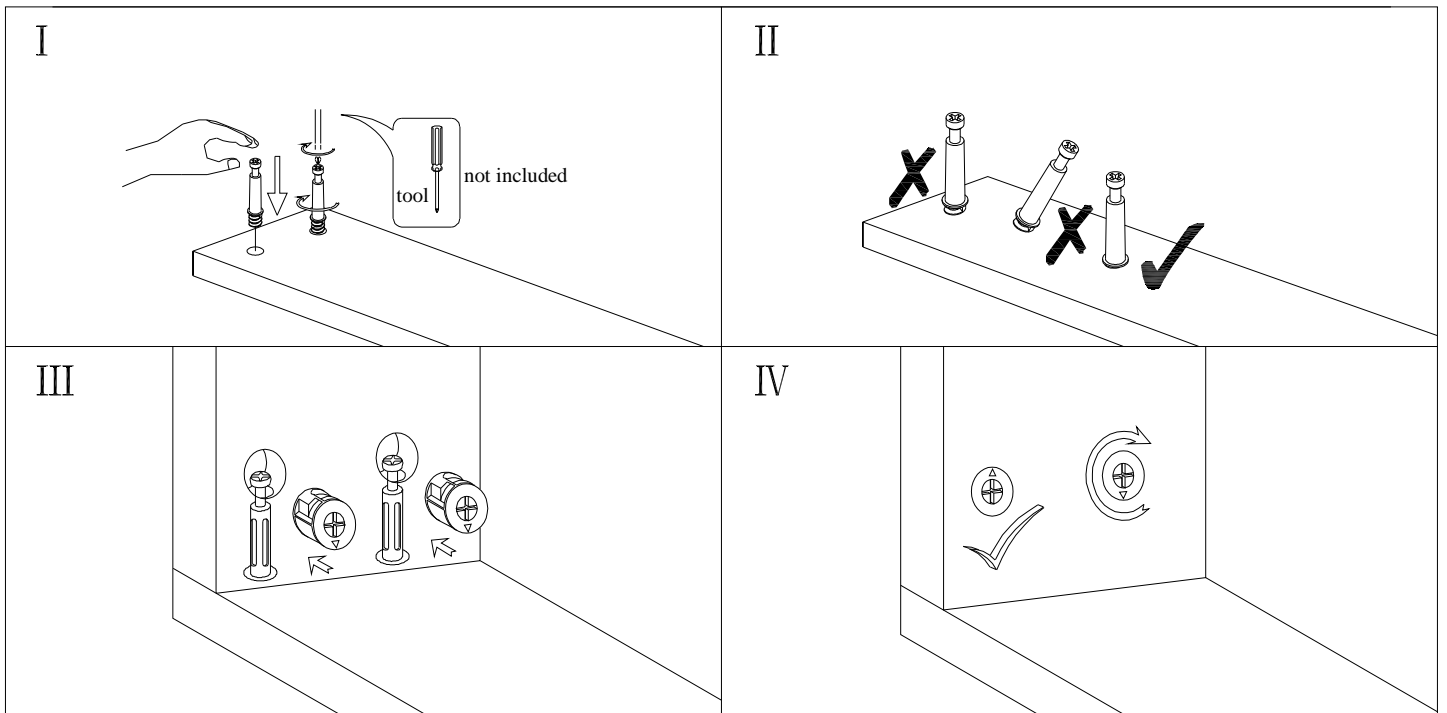
Included Accessories

Code	Description	Qty
1	Cabinet Top	1
2	Bottom Panel	1
3	Left Side Panel	1
4	Right Side Panel	1
5	Top Stretcher	1
6	Top Back Stretcher	1
7	Back Panel	1
8	Shelf	1
9	Leg	4
10	Left Door	1
11	Right Door	1

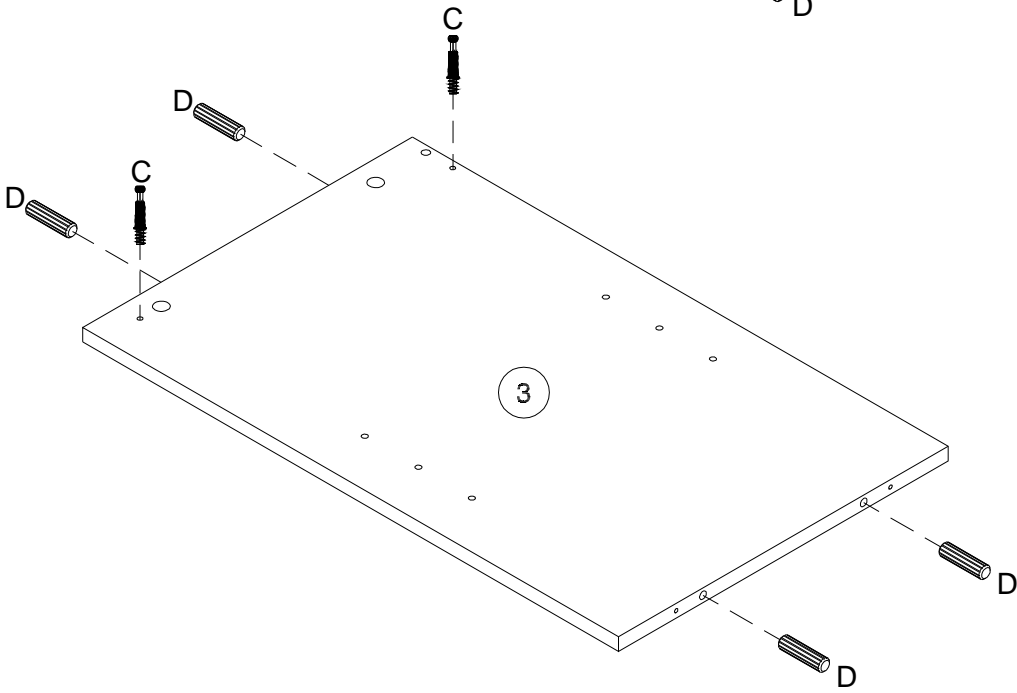
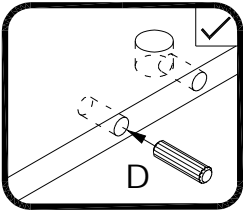
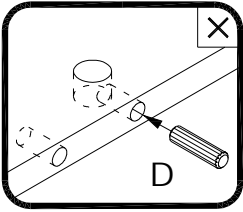
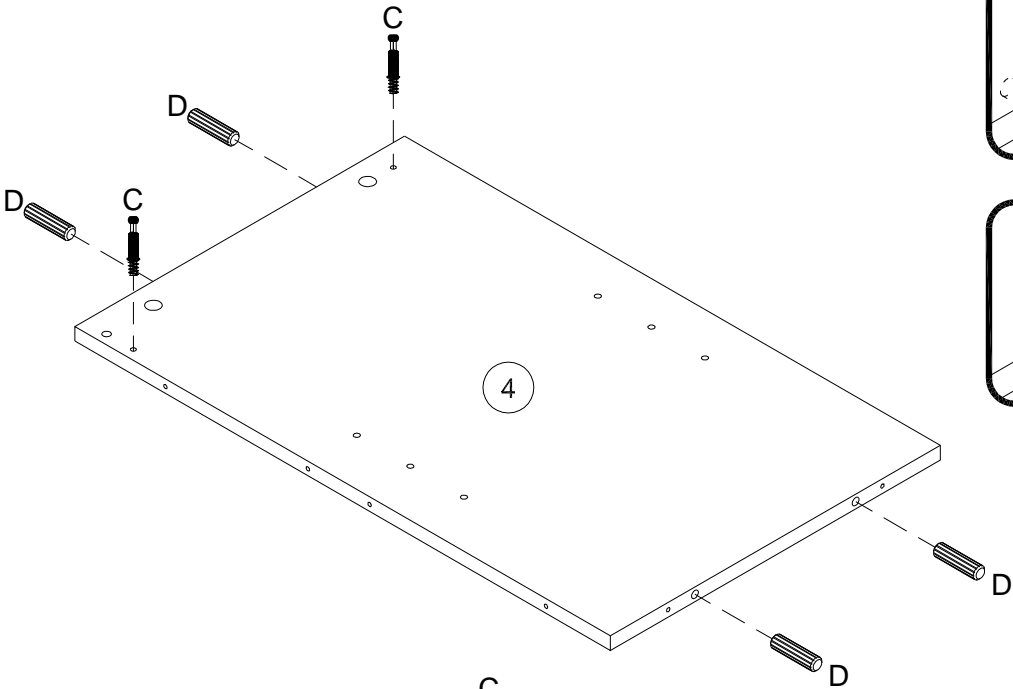
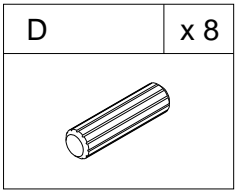
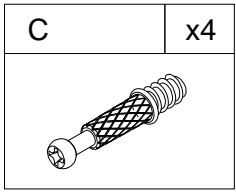
The Accessoriess



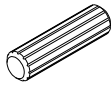
Noted :

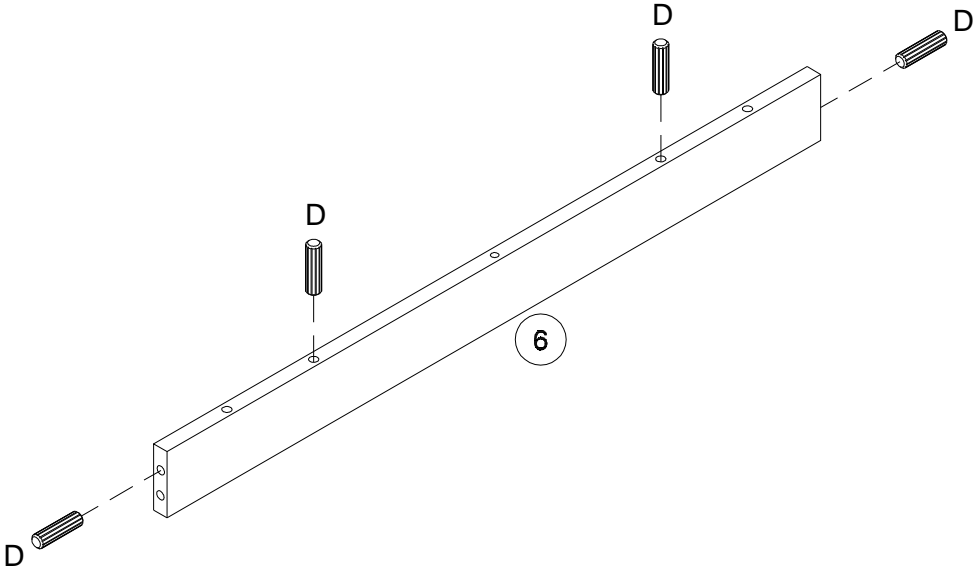
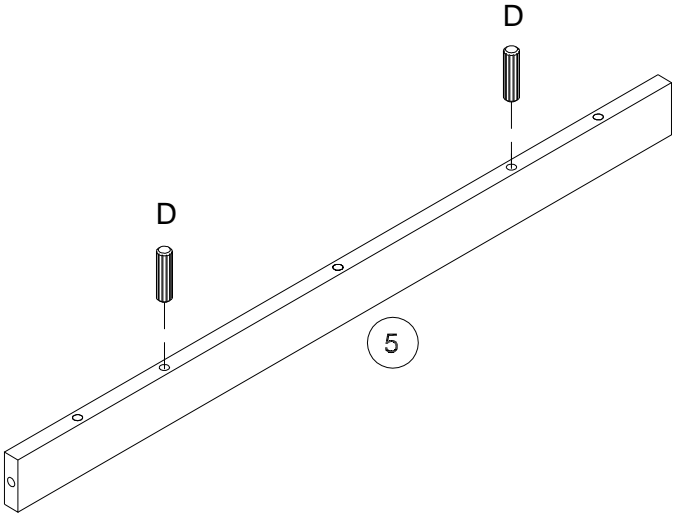
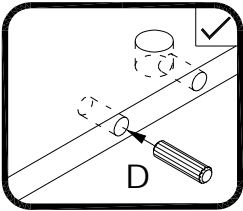
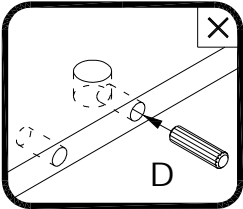


Step 1

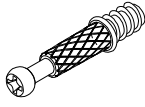


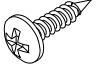
Step 2

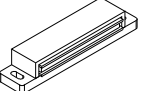
D	x 6
	

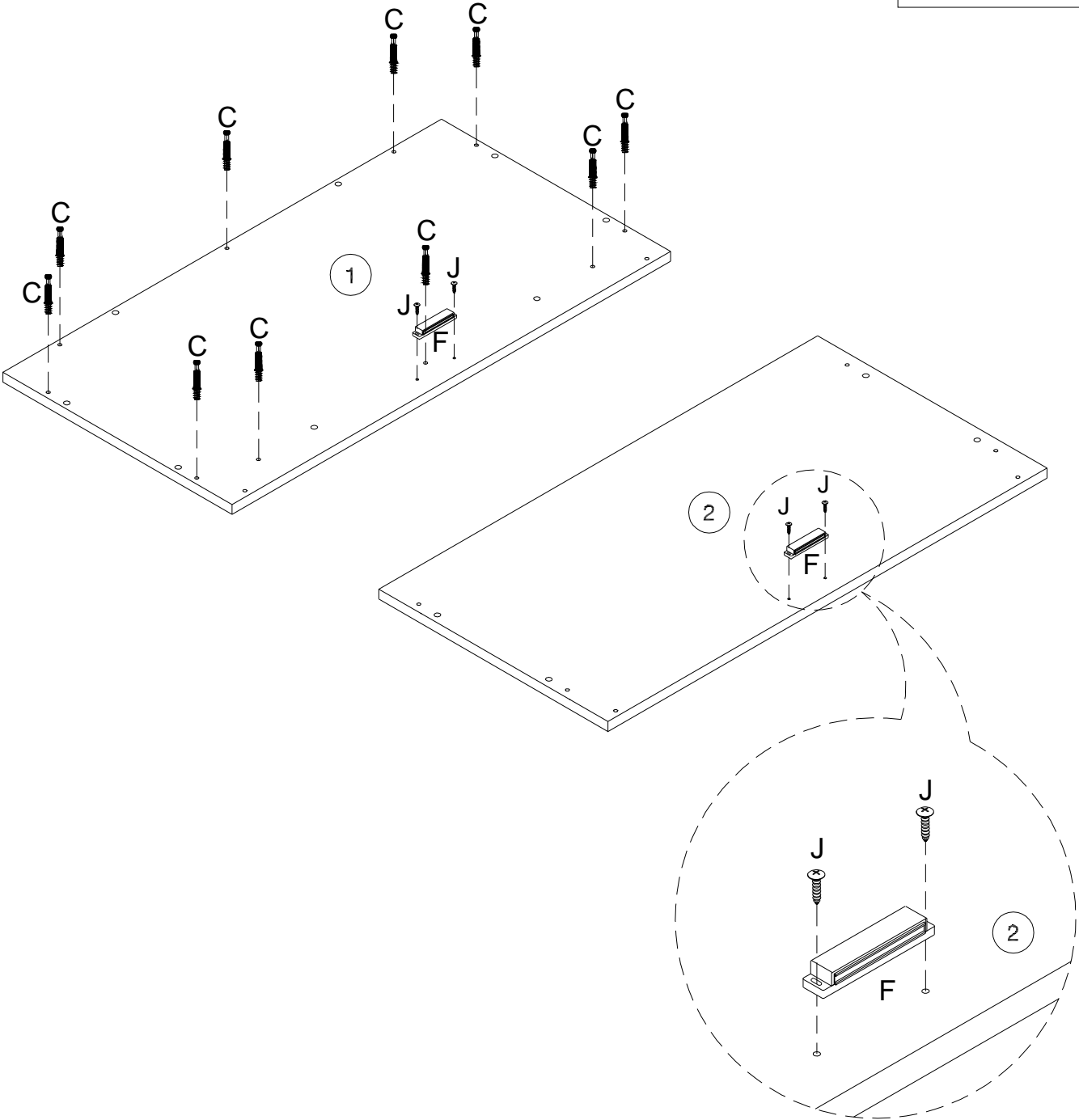


Step 3


C	x10
	

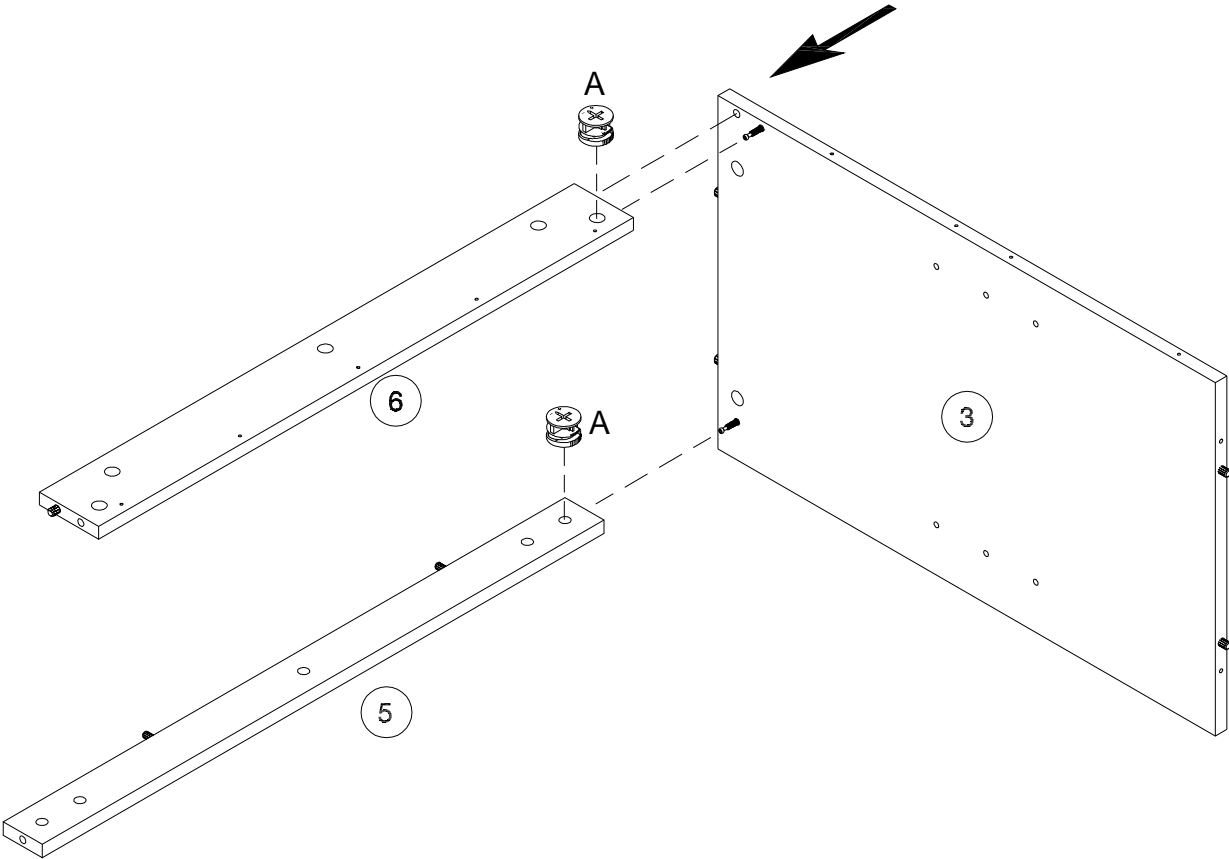
J	x 4
	

F	x 2
	

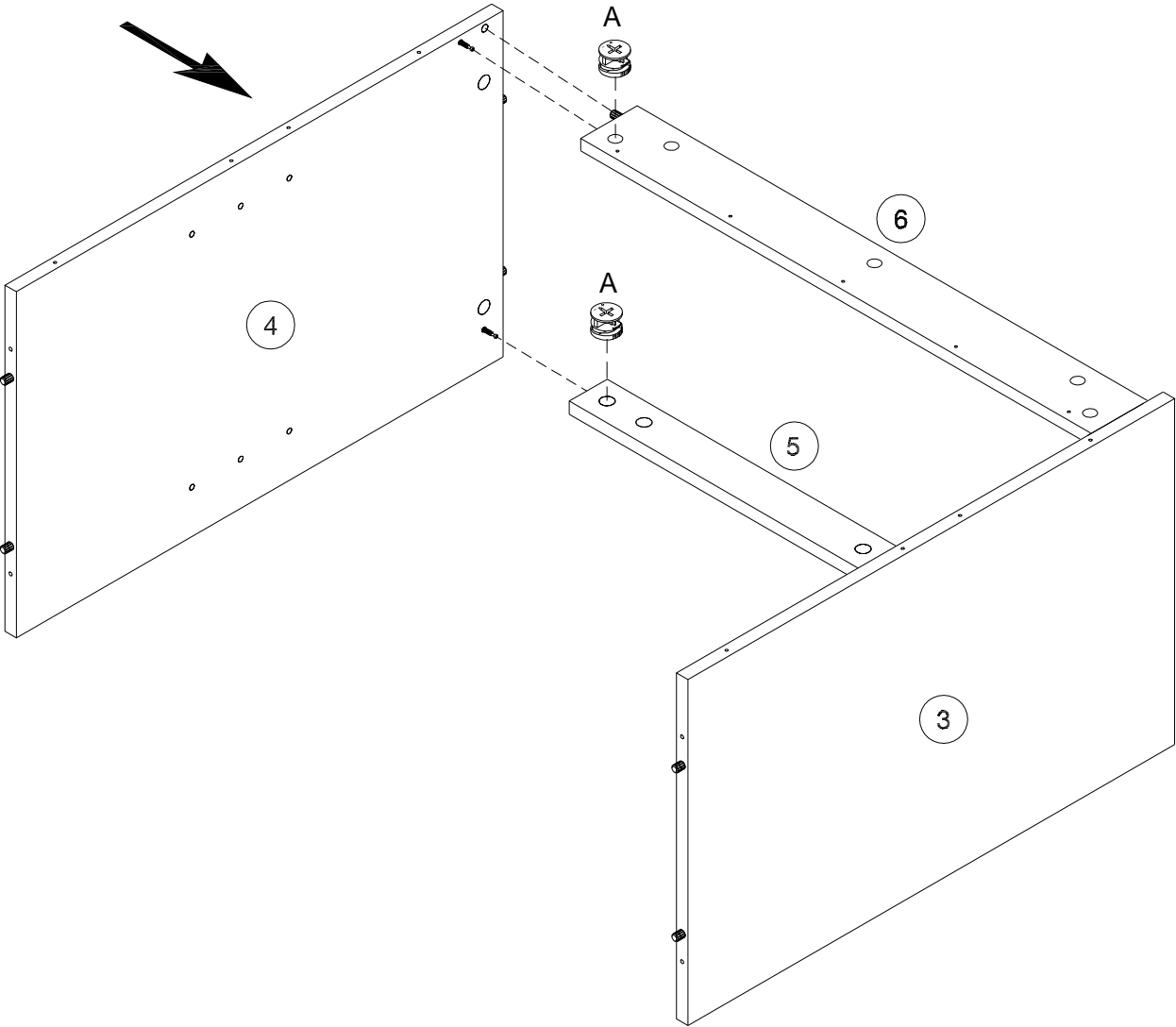
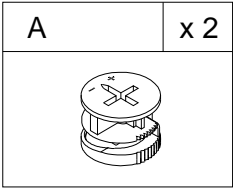


Step 4

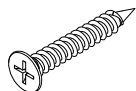
A	x 2
	

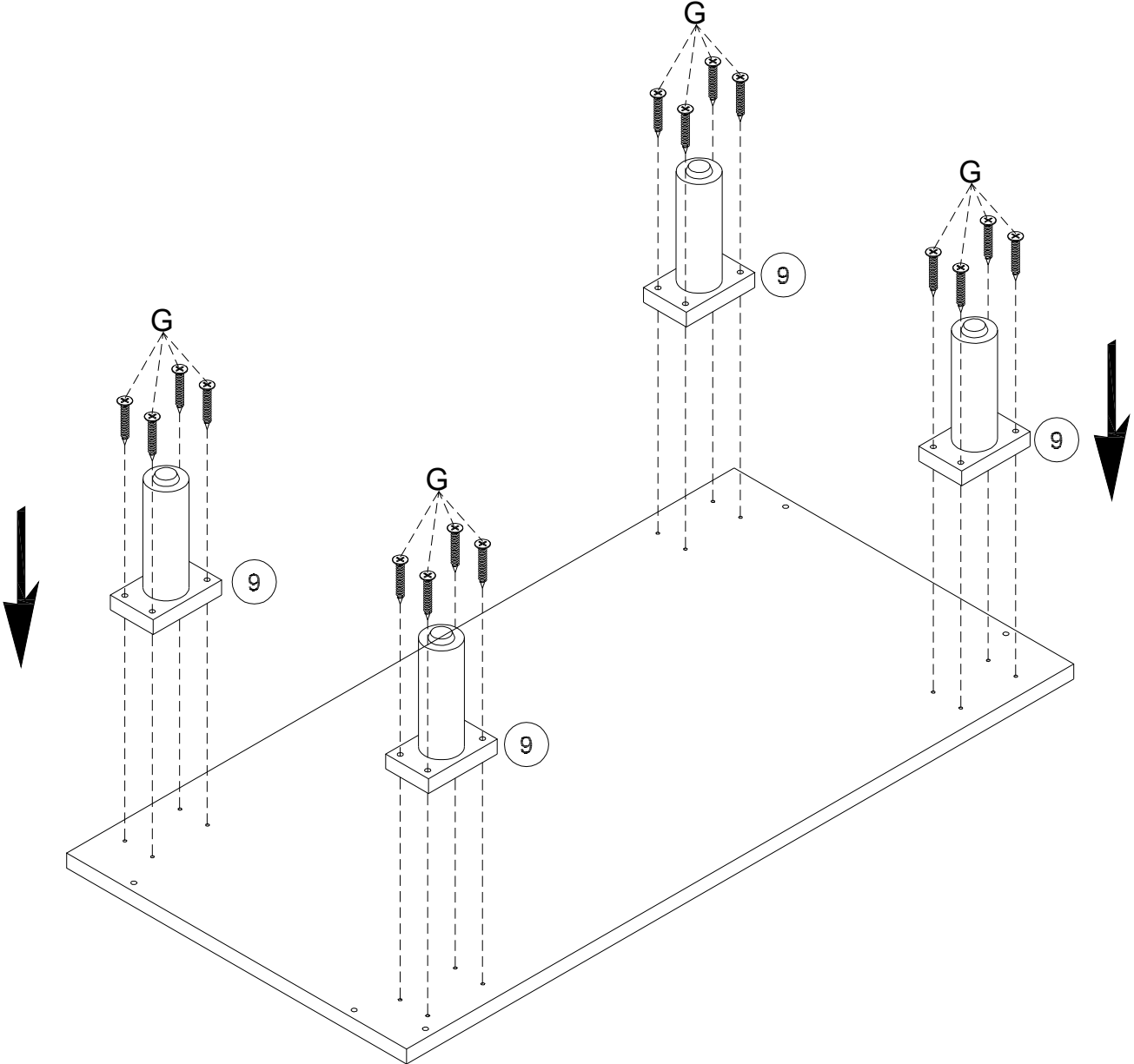


Step 5

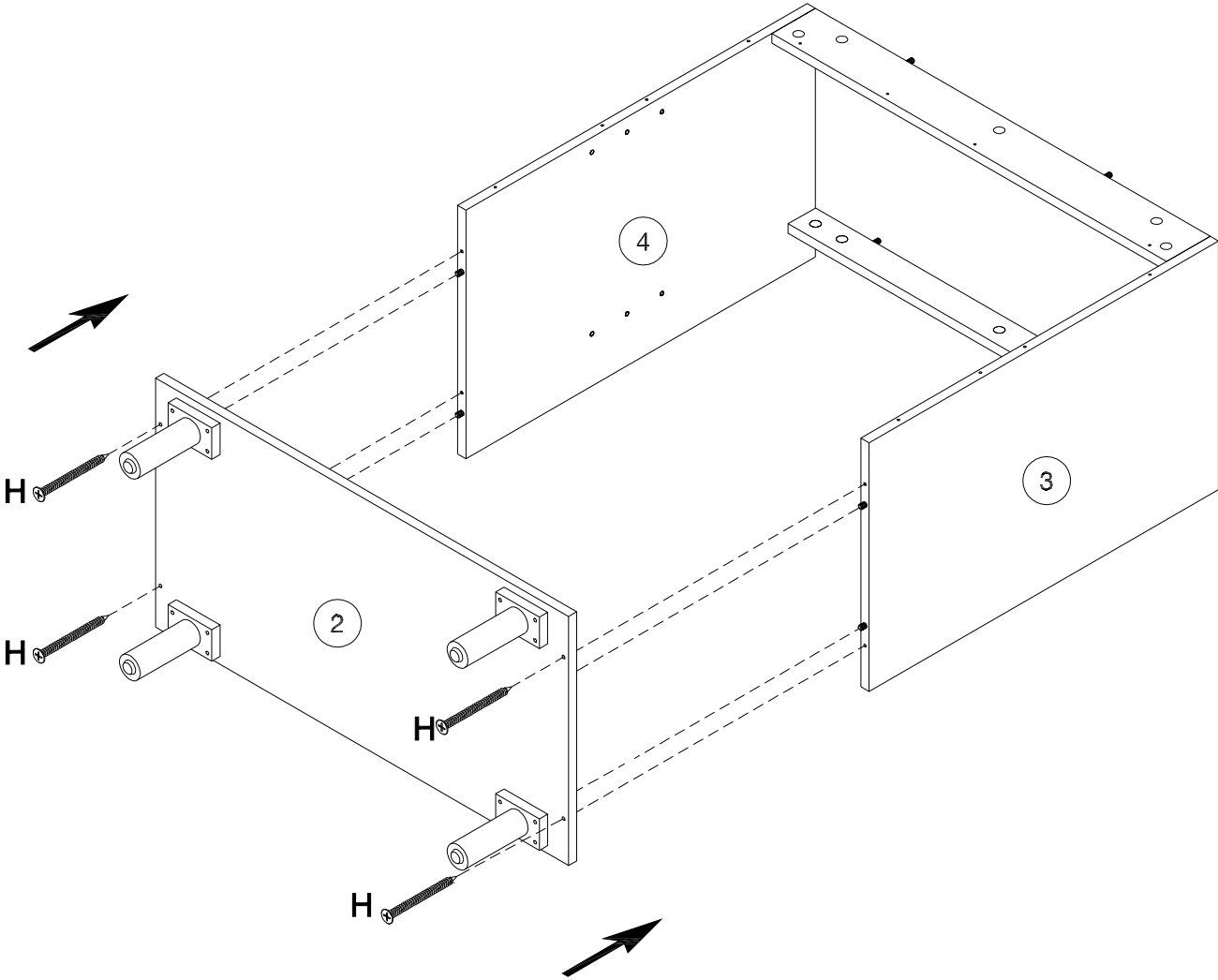
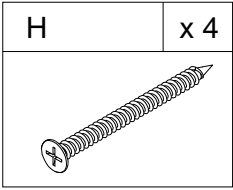


Step 6

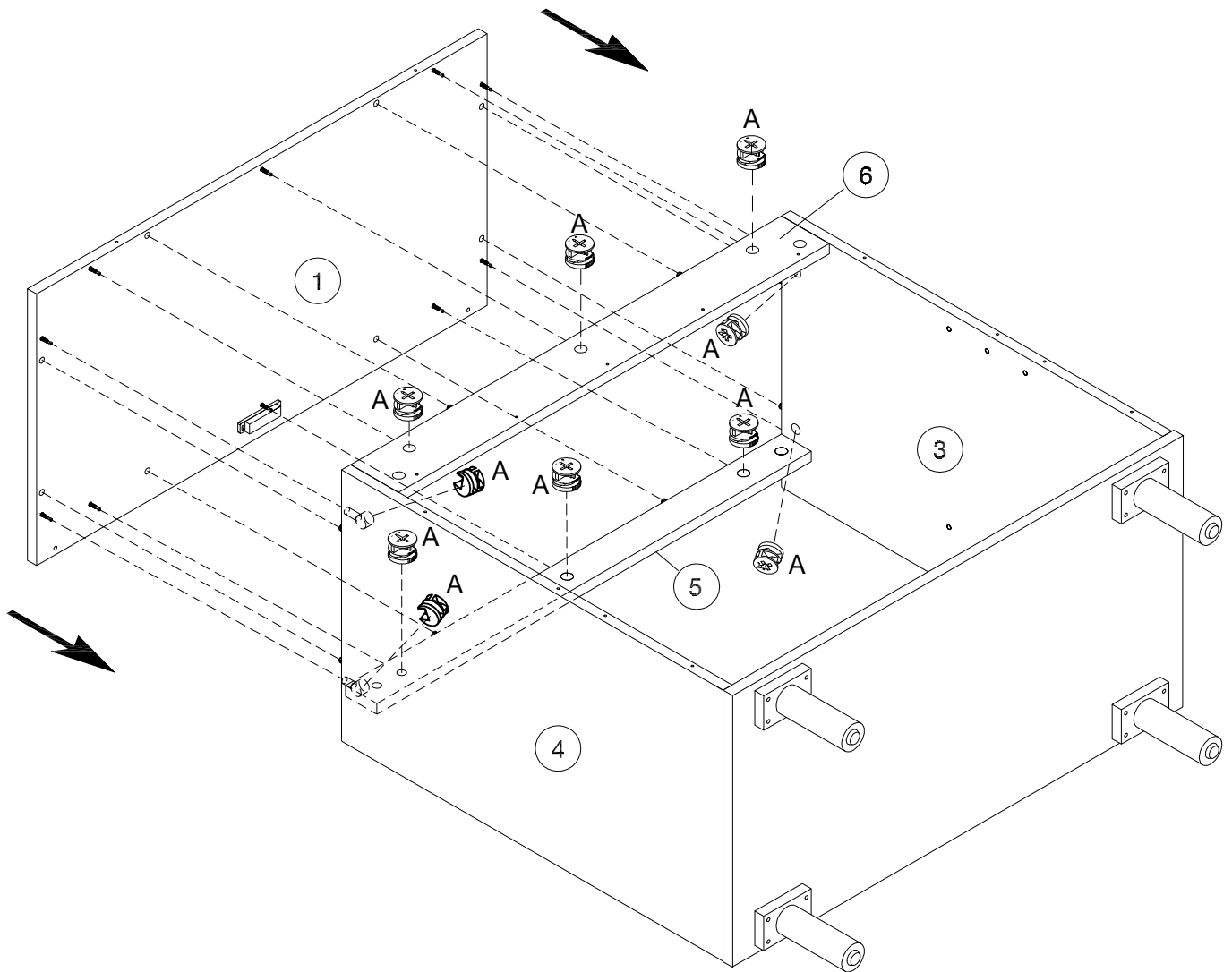
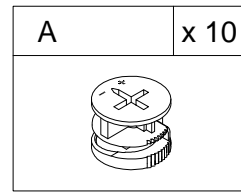
G	x 16
	



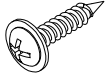
Step 7

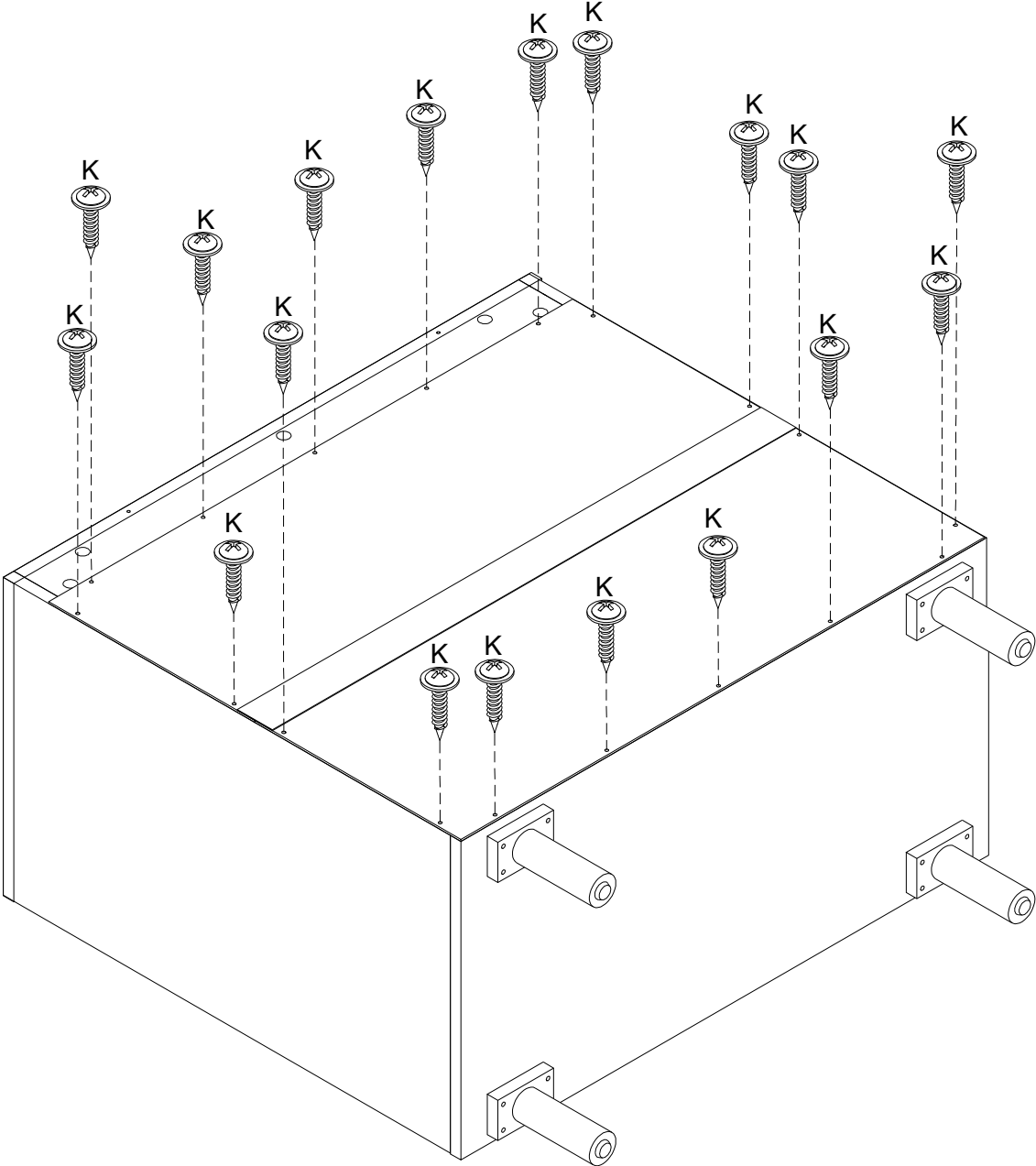


Step 8

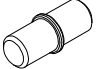


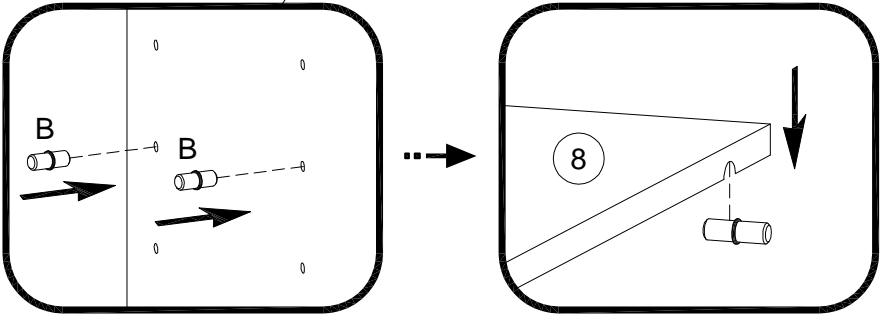
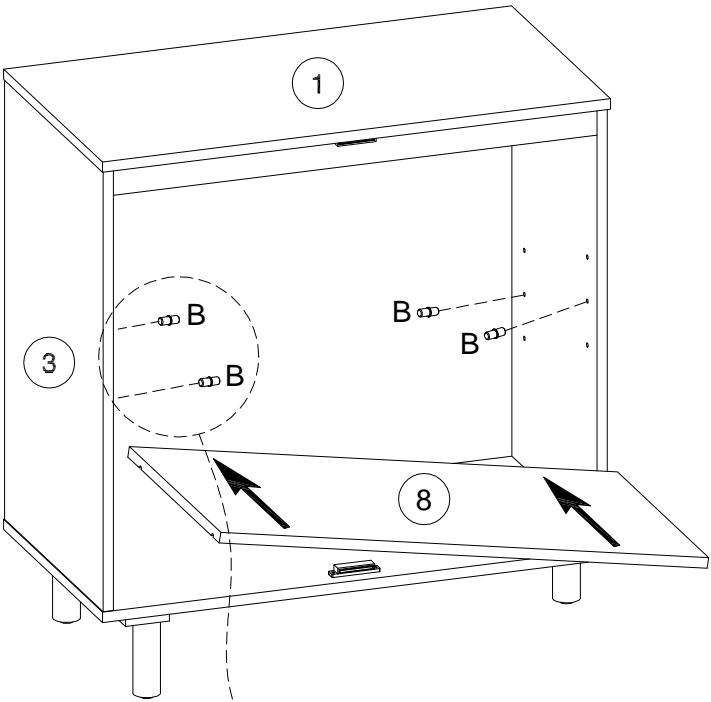
Step 9

K	x 18
	

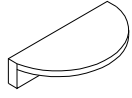



Step 10

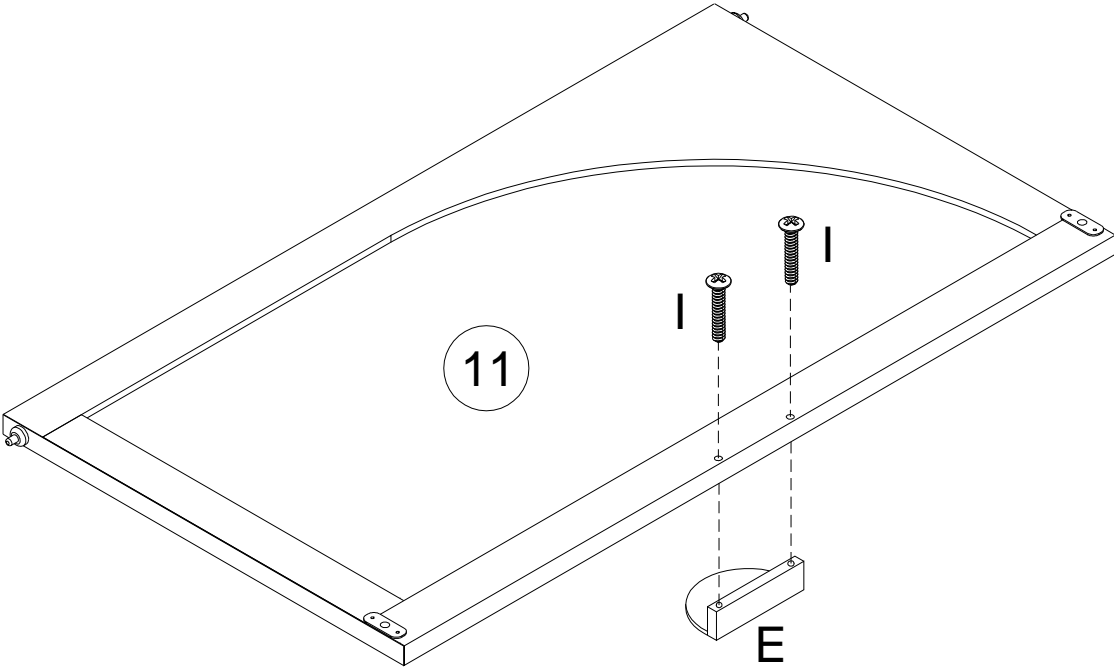
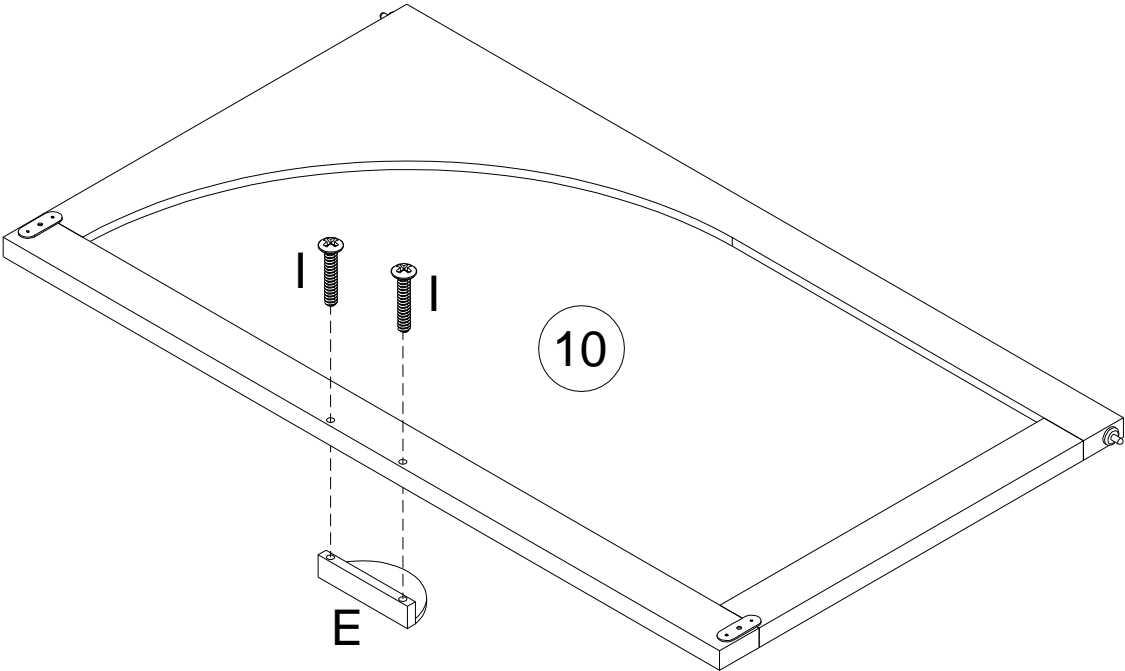
B	x 4
	



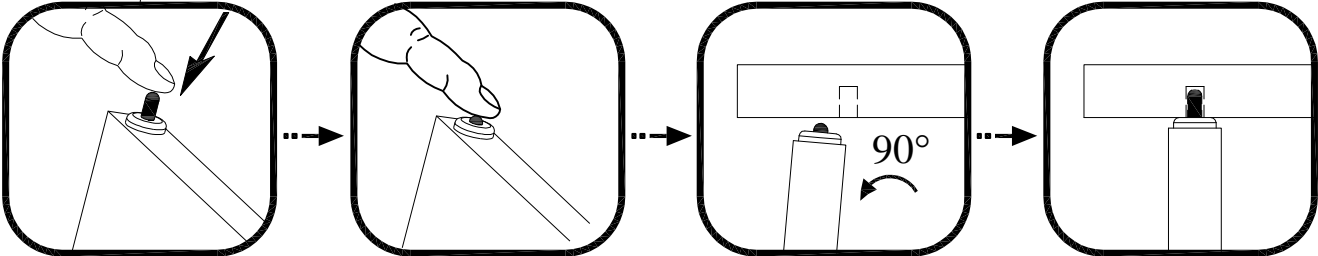
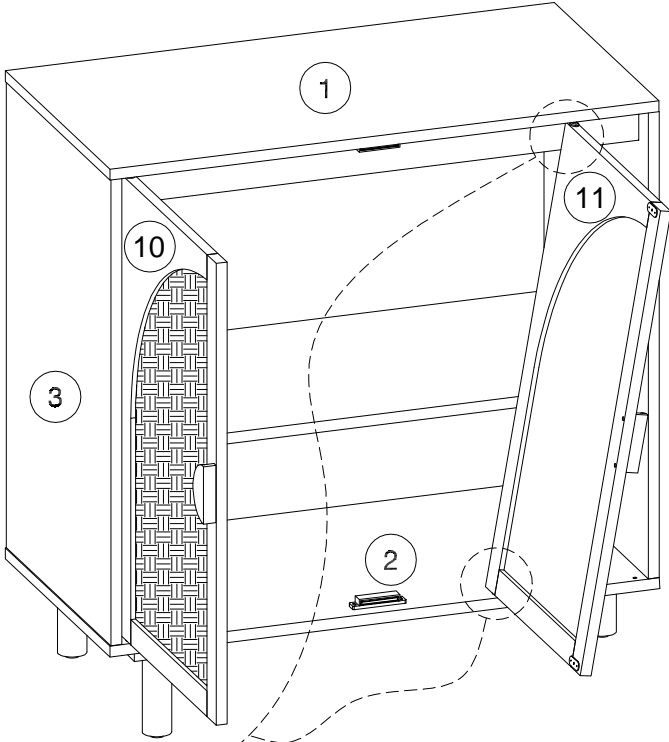
Step 11

E	x 2
	

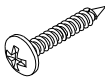
I	x 4
	




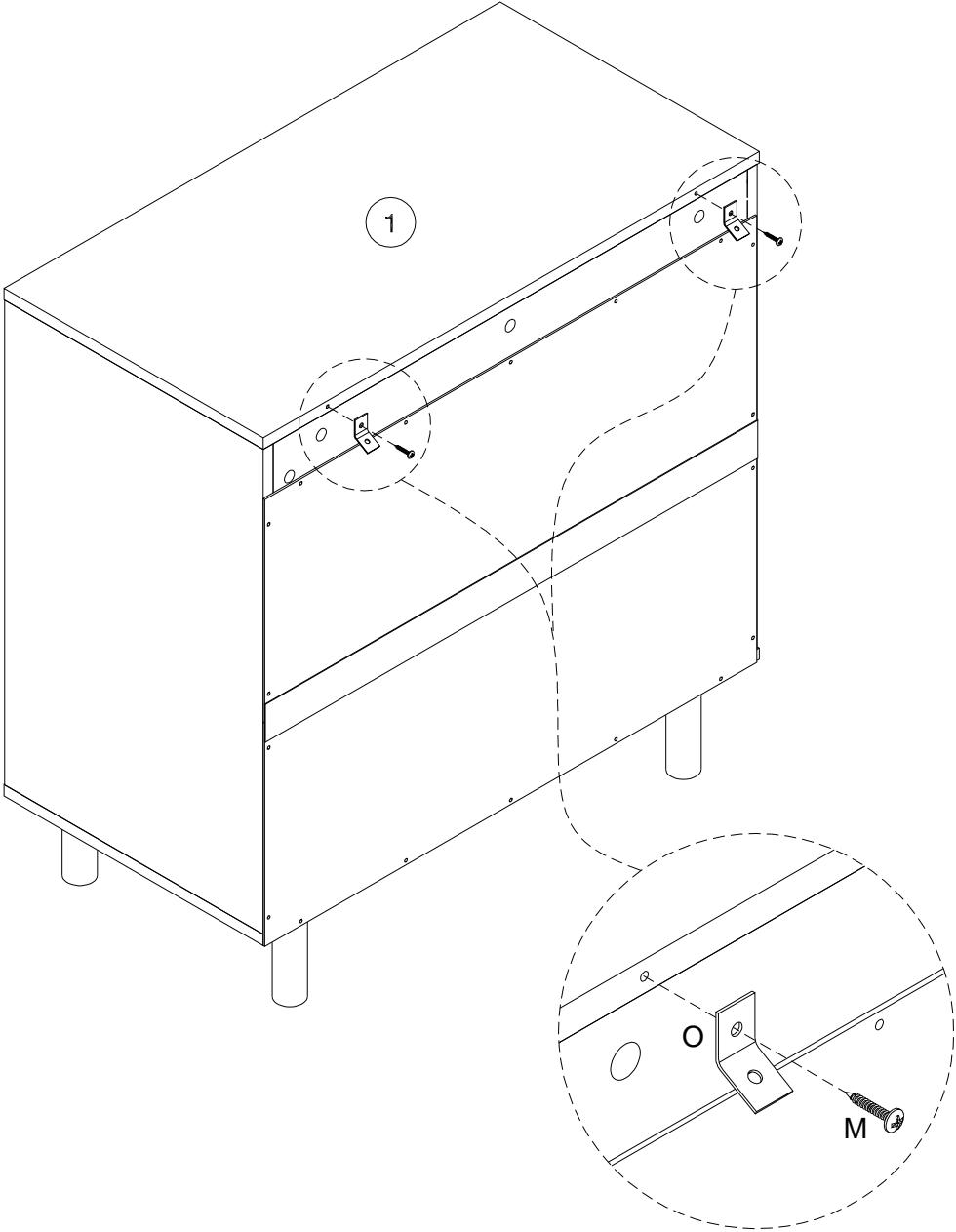
Step 12



Step 13

M	x 2
	

O	x 2
	



Step 14

