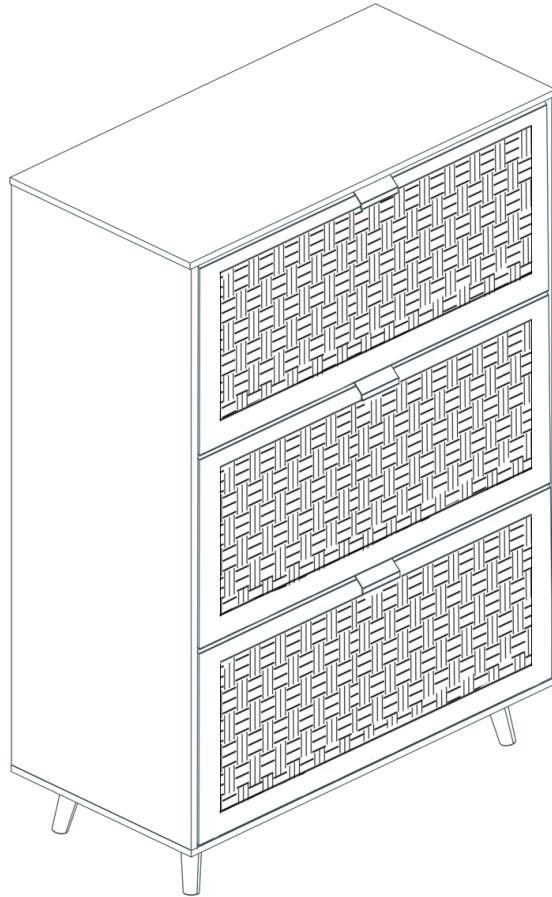


Installation Instruction



Product name

W688121311

Assembling

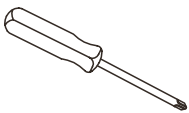
Estimated time for assembly



30 : 00

What you need

- Use the packaging carton as a working surface to prevent product damage during assembly
- Phillips head screwdriver



Weight Limitation



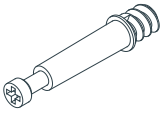
40 | **22**
lbs table top | lbs per drawer

What's included

| Code | Description | Qty |
|------|------------------------|-----|
| A | Cam Bolt M6X35MM | 23 |
| B | Cam Lock 15X10MM | 23 |
| C | Screw M4X35MM | 20 |
| D | Wooden Dowel M6X30MM | 8 |
| E | Screw M4X14MM | 21 |
| F | Metal Connector | 1 |
| G | Screw M3X14MM | 4 |
| H | Screw M3X12MM | 36 |
| I | Plastic corner support | 4 |
| J | Handle | 3 |
| K | Slide sets | 3 |
| L | Wall Plugs | 1 |
| M | Metal Pin | 4 |
| N | Screw M4X12MM | 6 |

The Hardwares

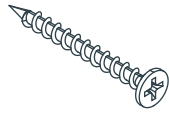
A



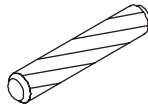
B



C



D



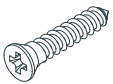
E



F



G



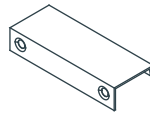
H



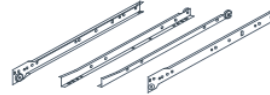
I



J



K

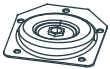


CL DL DR CR

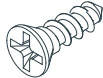
L



M



N

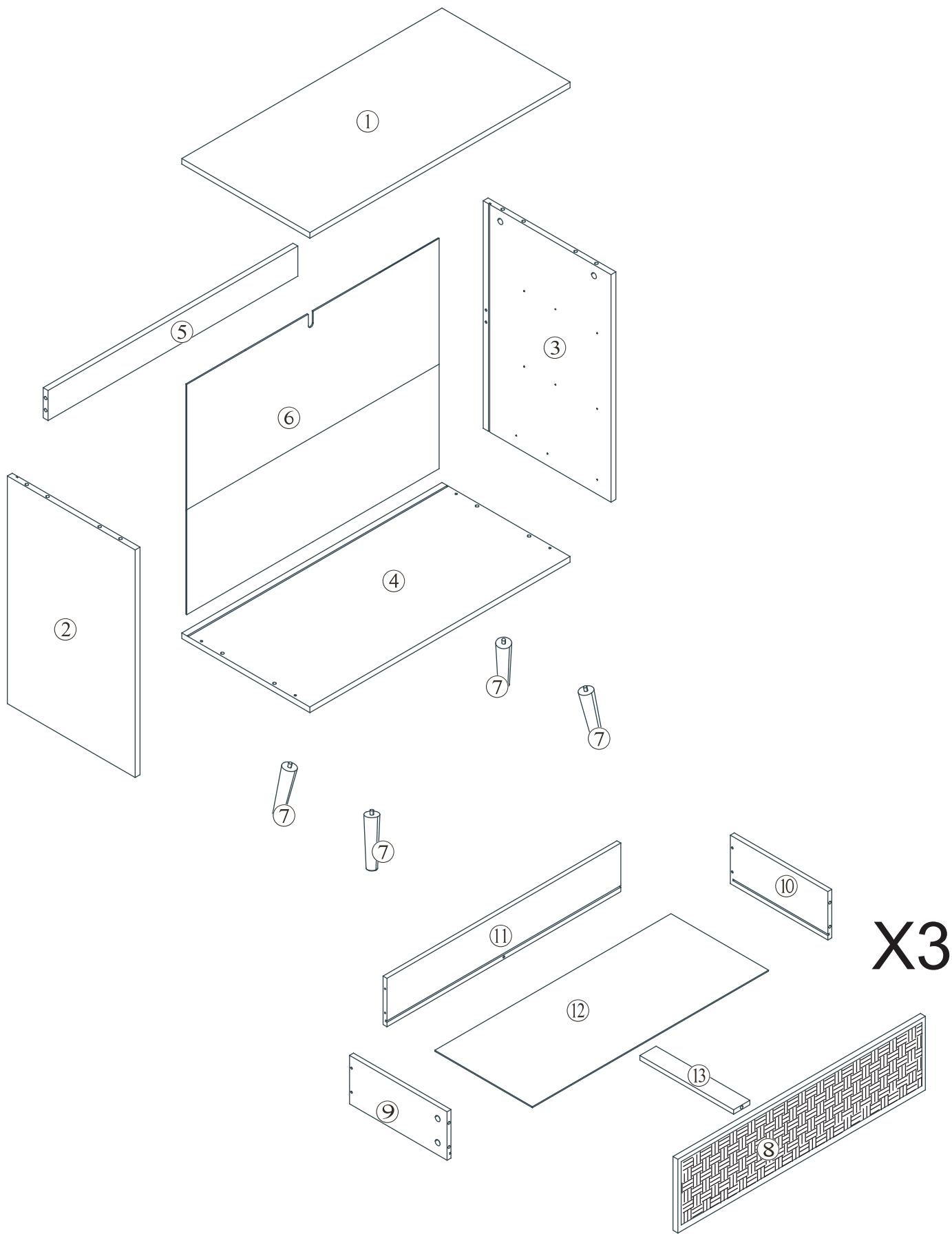


IMPORTANT:

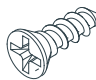
1. Do not tighten bolts / screws completely until all bolts / screws are lined up and inserted into holes.
2. Do not over tighten screws and bolts to avoid stripping.
3. Please use hand tools to assemble this product. Do not use power tools.


Included Accessories

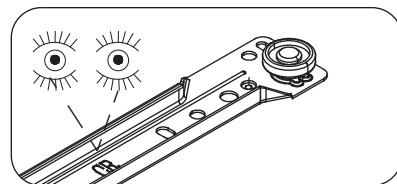
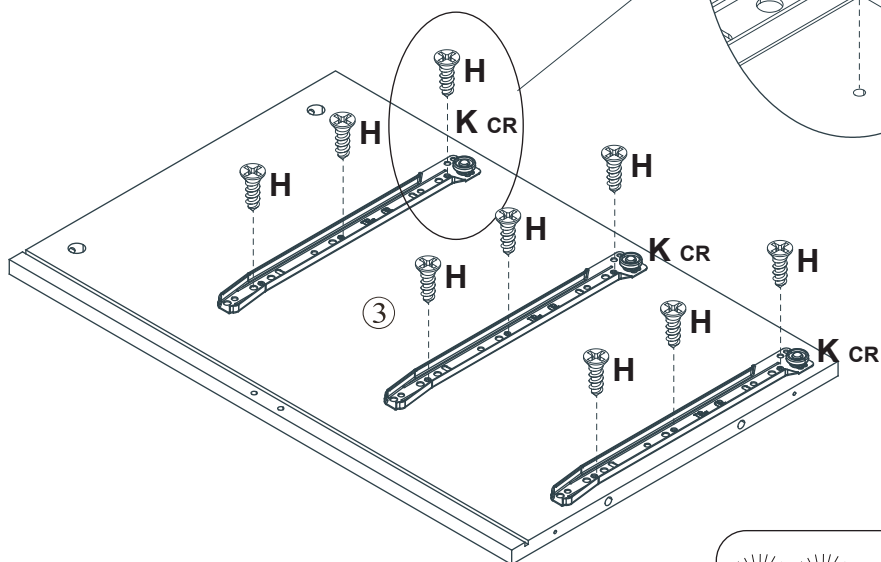
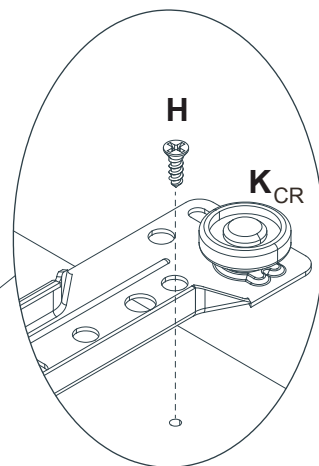
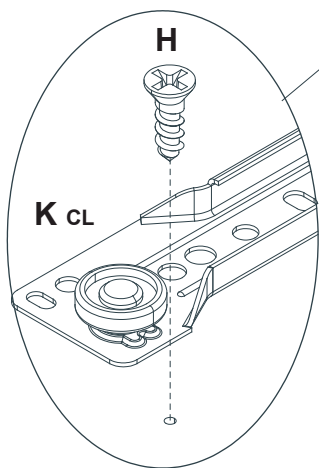
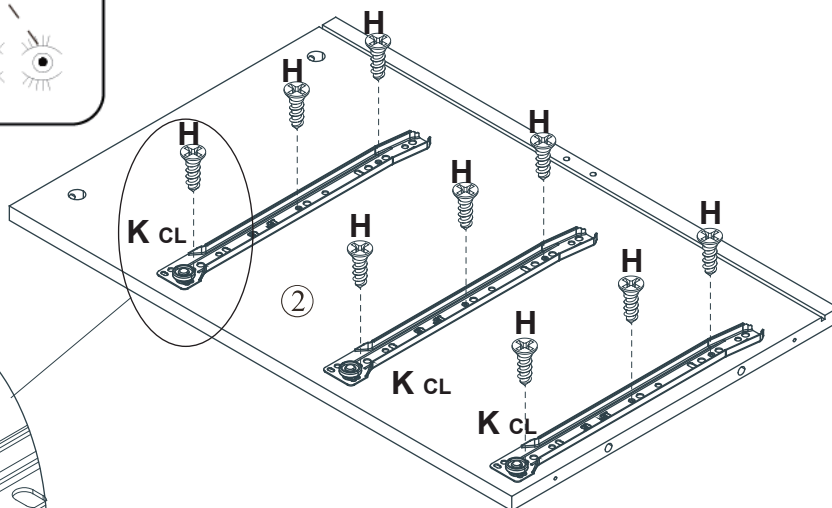
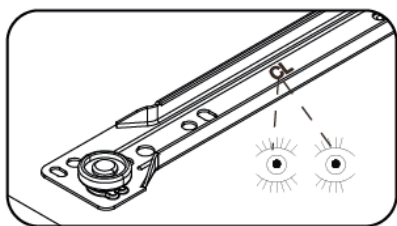
| Code | Description | Qty |
|------|--------------------------|-----|
| 1 | Cabinet Top | 1 |
| 2 | Left Side Panel | 1 |
| 3 | Right Side Panel | 1 |
| 4 | Bottom Panel | 1 |
| 5 | Back Stretcher | 1 |
| 6 | Back Panel | 1 |
| 7 | Leg | 4 |
| 8 | Drawer front Panel | 3 |
| 9 | Drawer Left Side Panel | 3 |
| 10 | Drawer Right Side Panel | 3 |
| 11 | Drawer Back Panel | 3 |
| 12 | Drawer Bottom Panel | 3 |
| 13 | Drawer Central Stretcher | 3 |



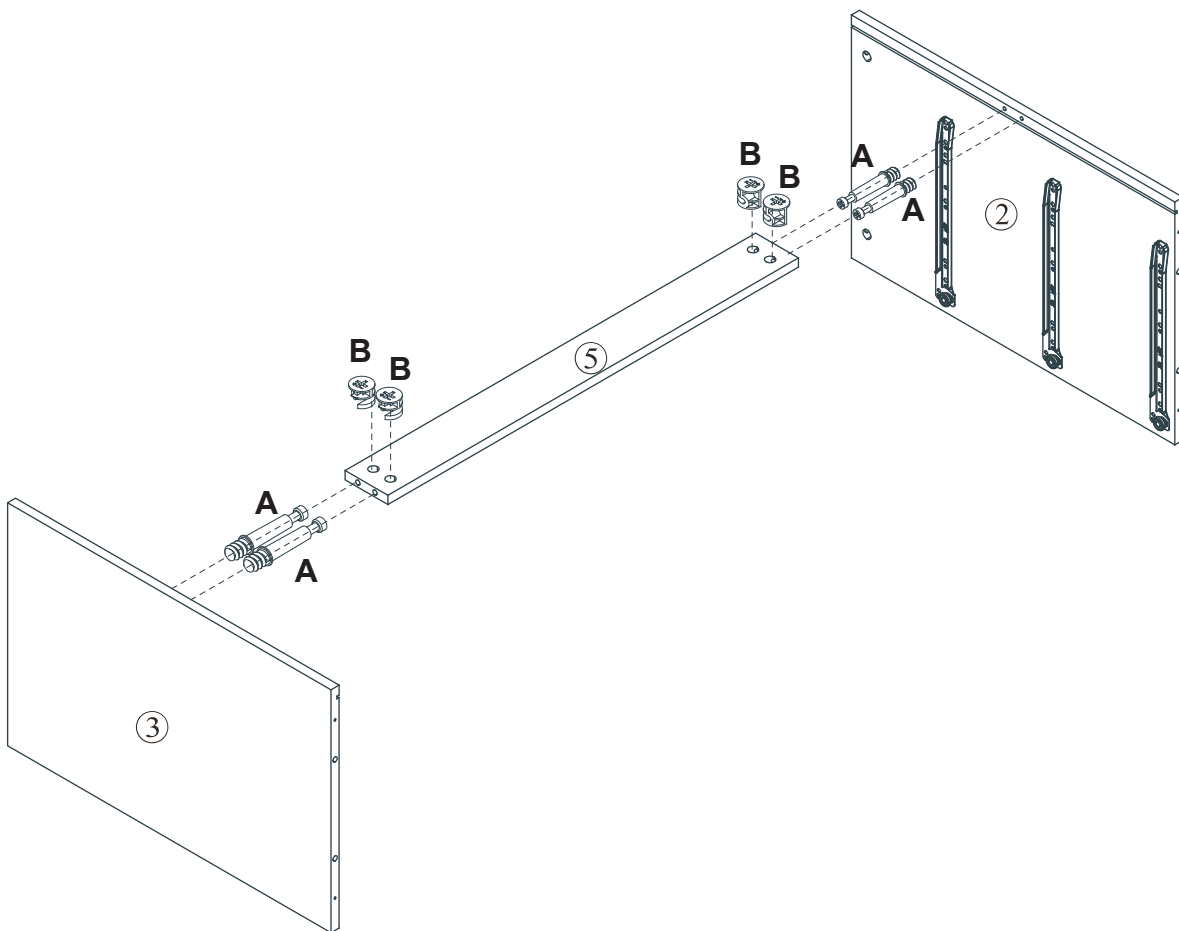
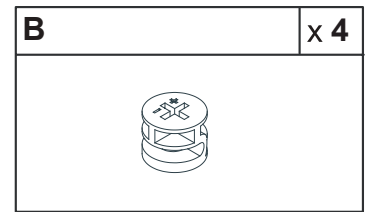
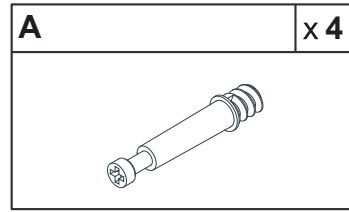
Step 1

| | |
|--|------------|
| H | x18 |
|  | |

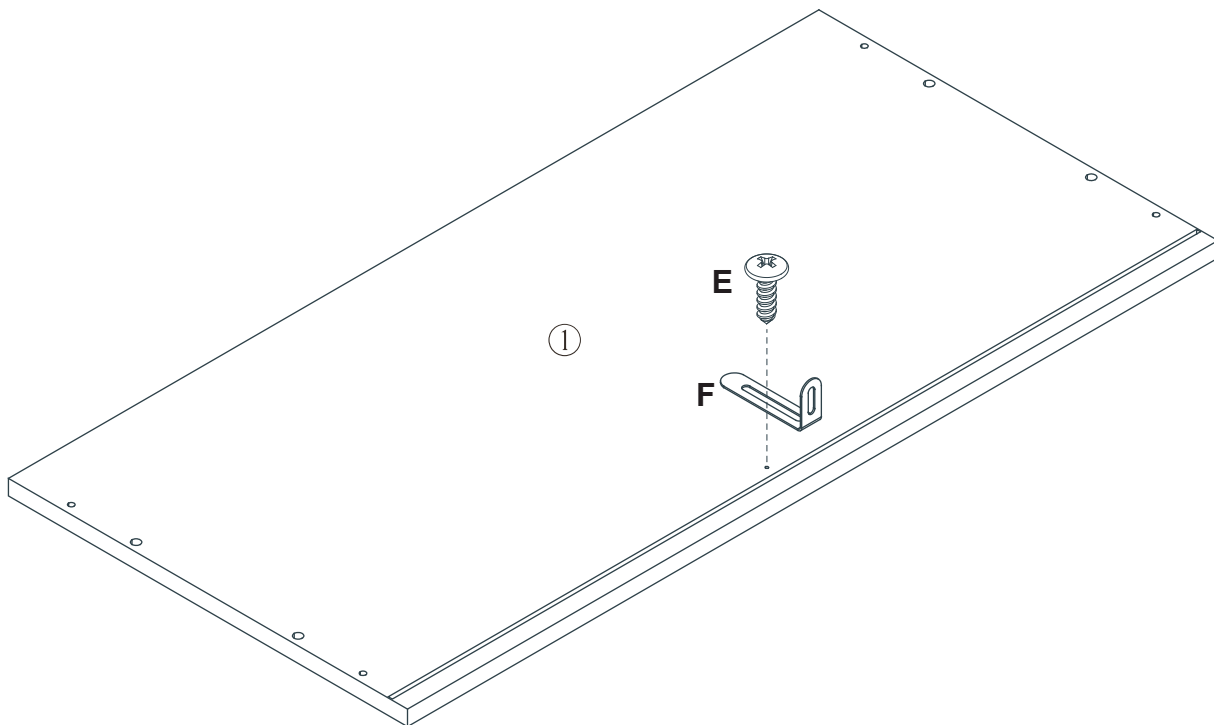
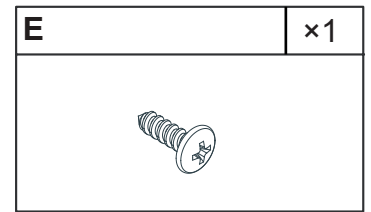
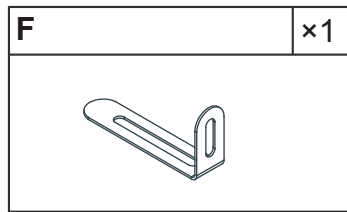
| | |
|--|-----------|
| K | x3 |
|  CL DL DR CR | |



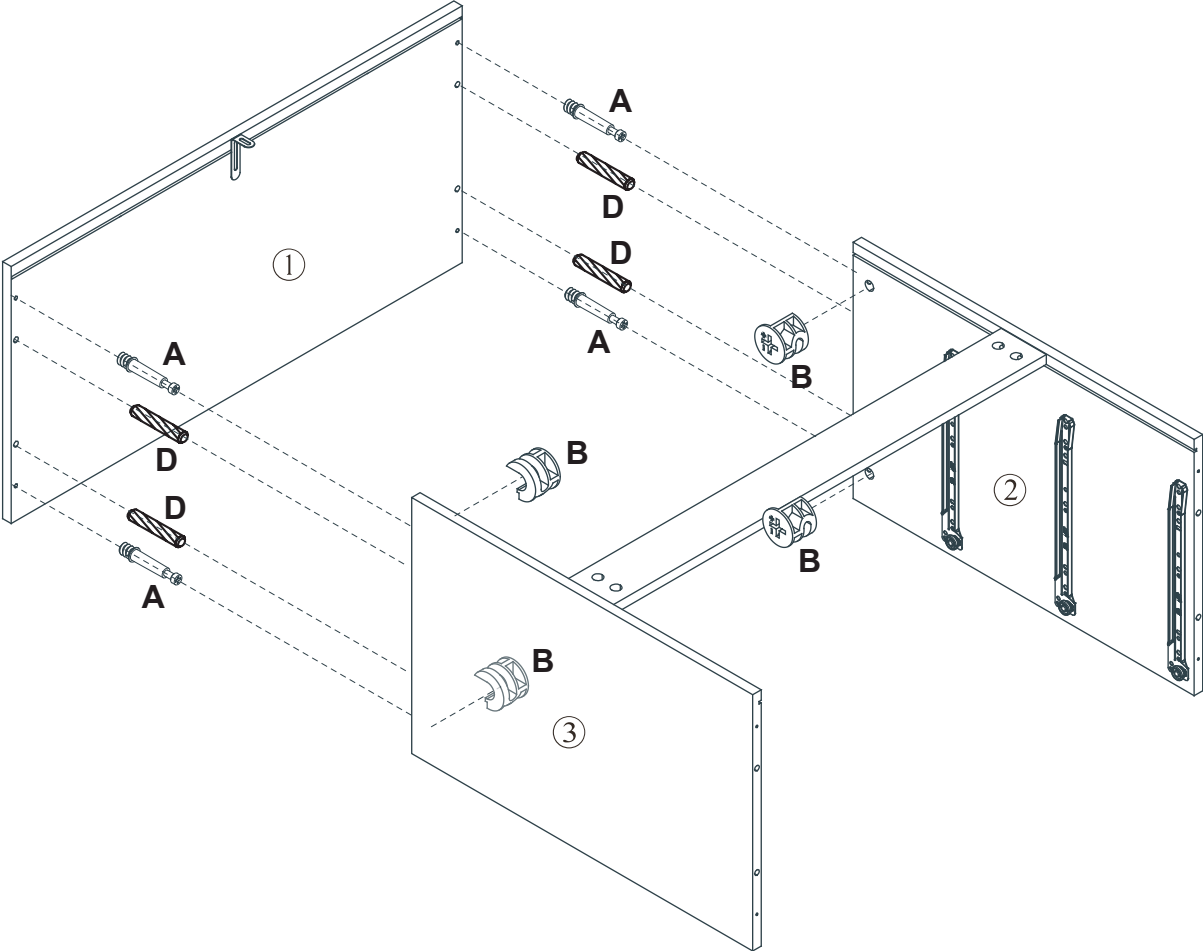
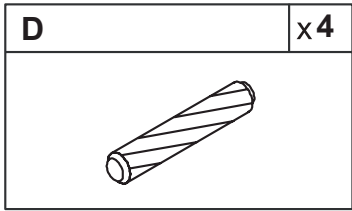
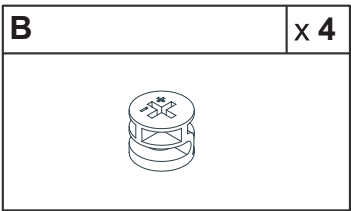
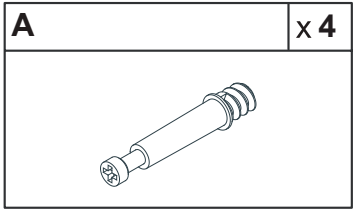
Step 2



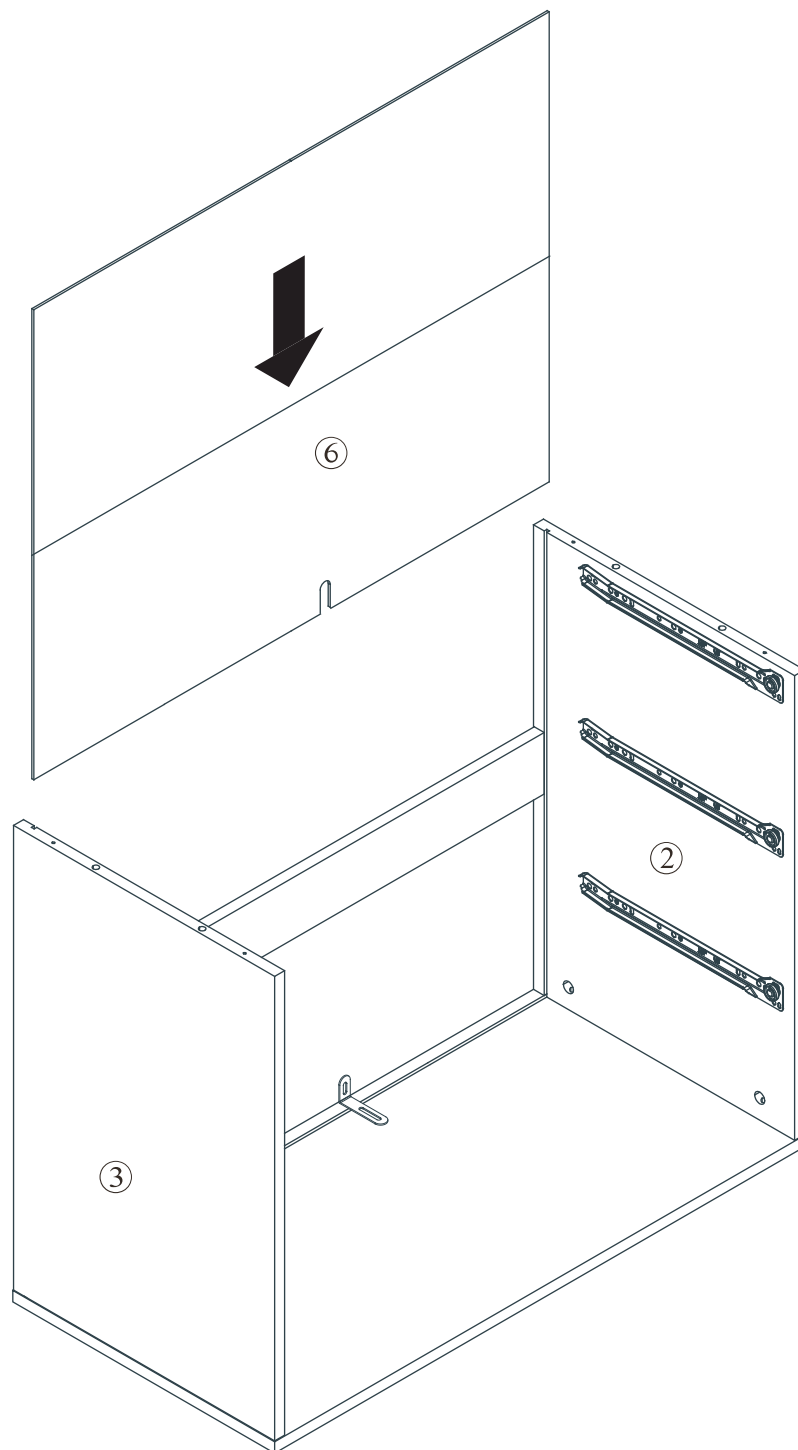
Step 3



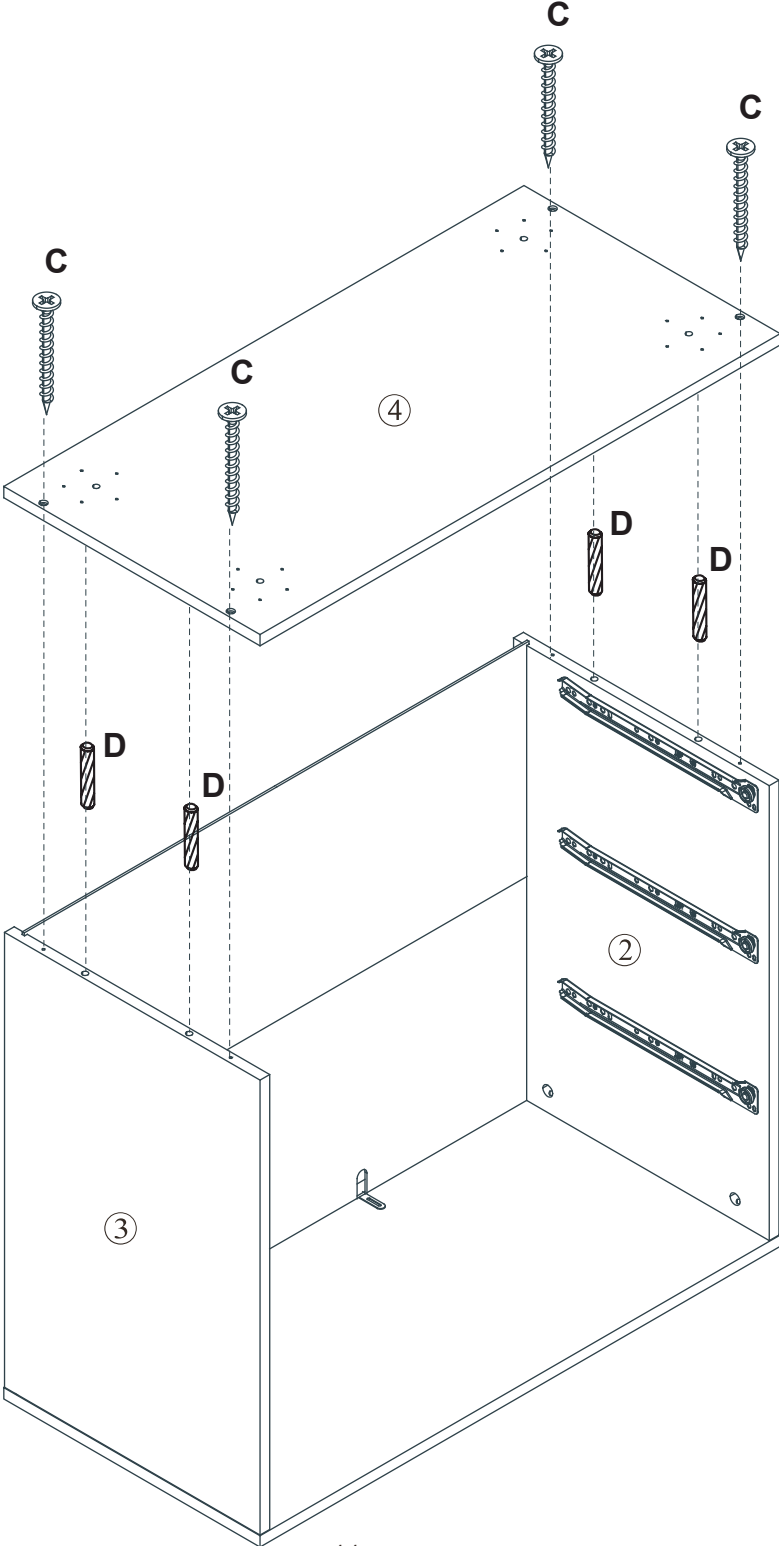
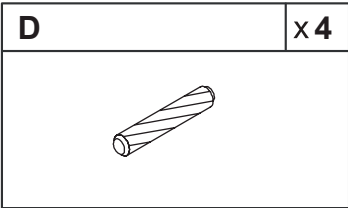
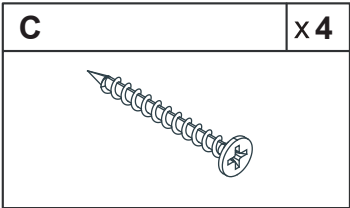
Step 4



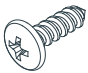
Step 5

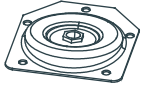


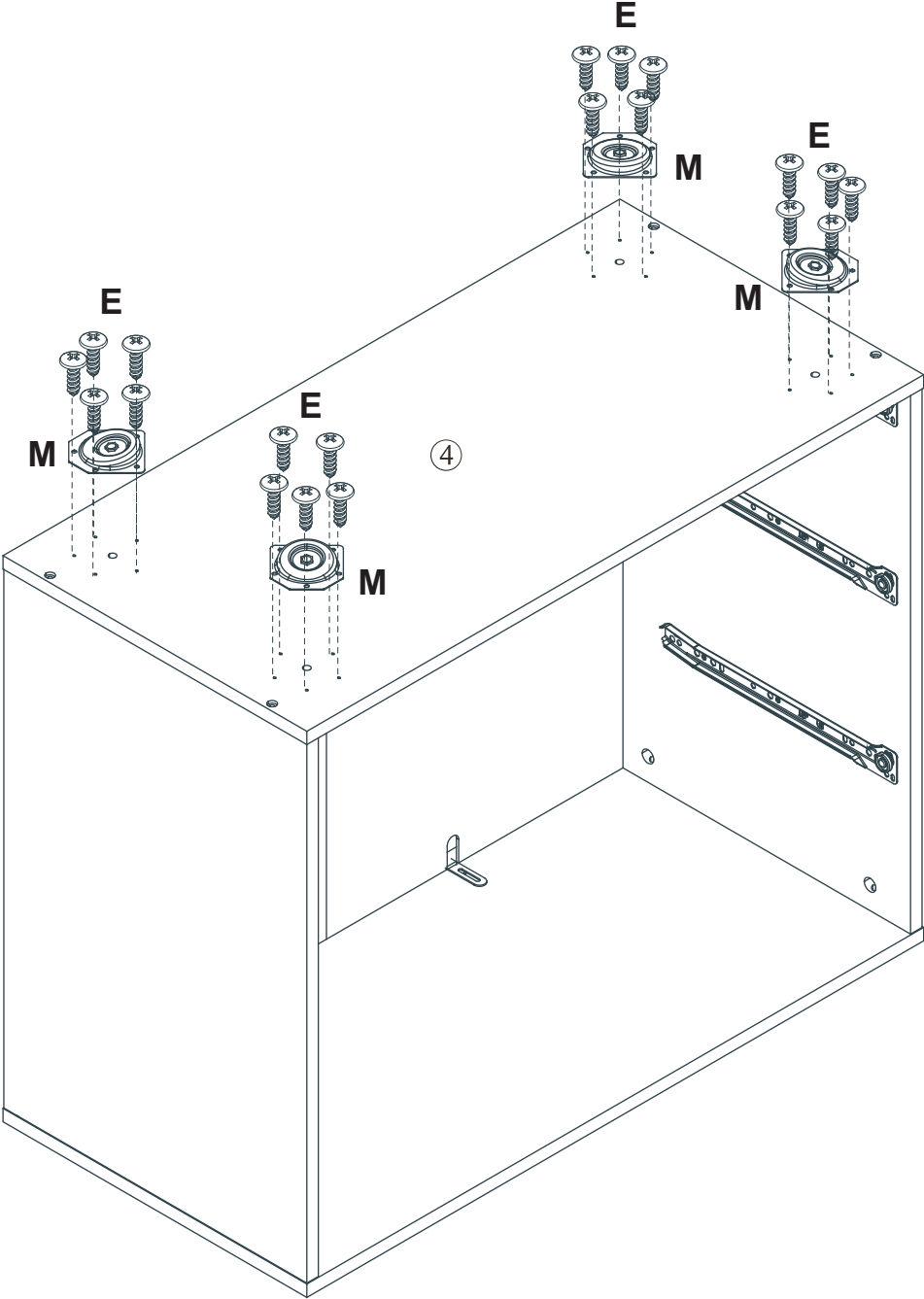
Step 6



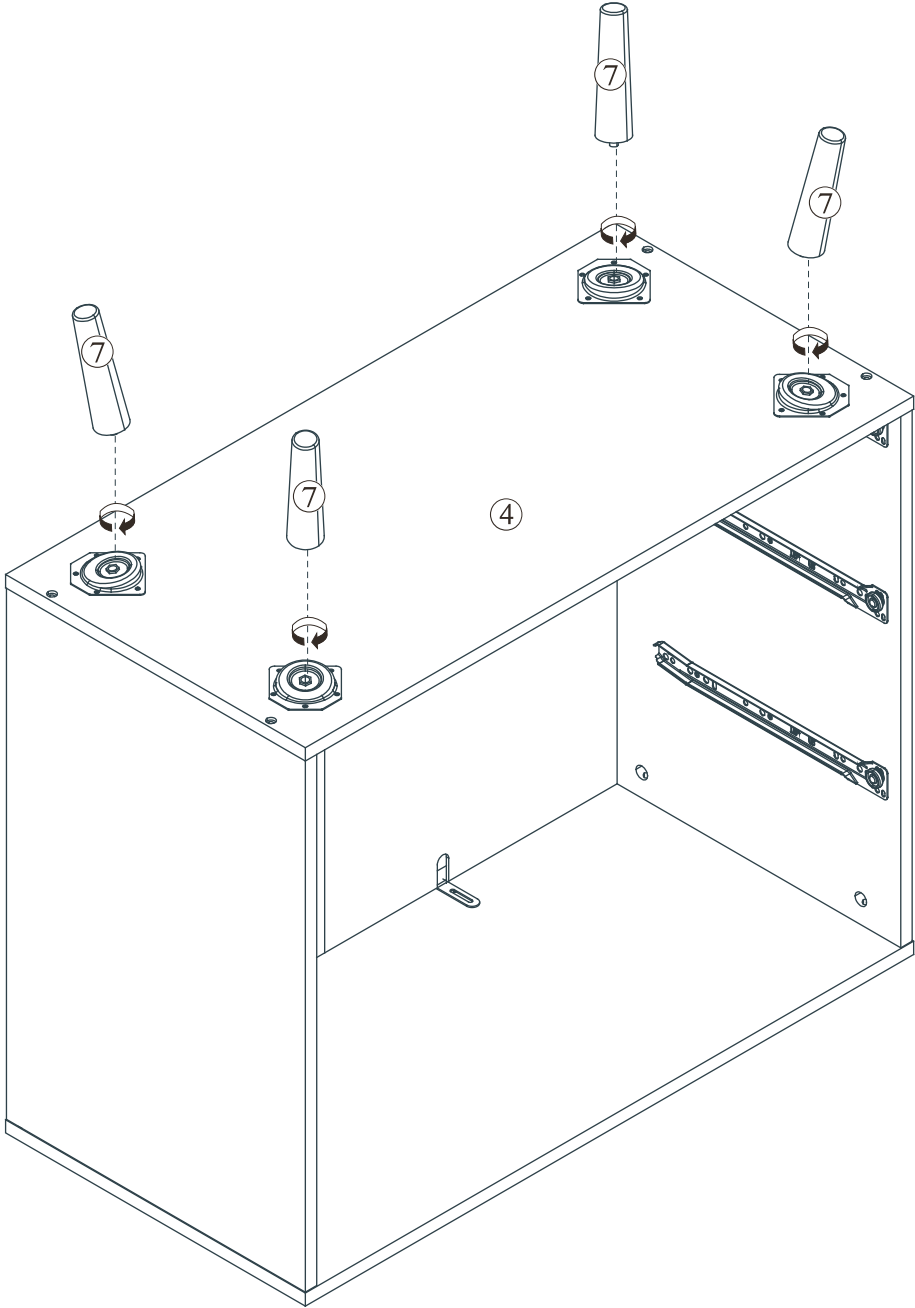
Step 7

| | |
|---|------------|
| E | x20 |
|  | |

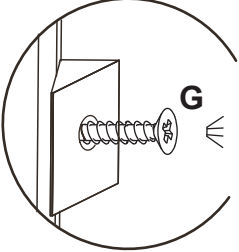
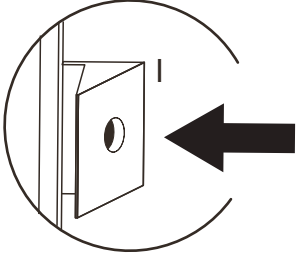
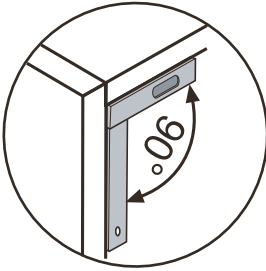
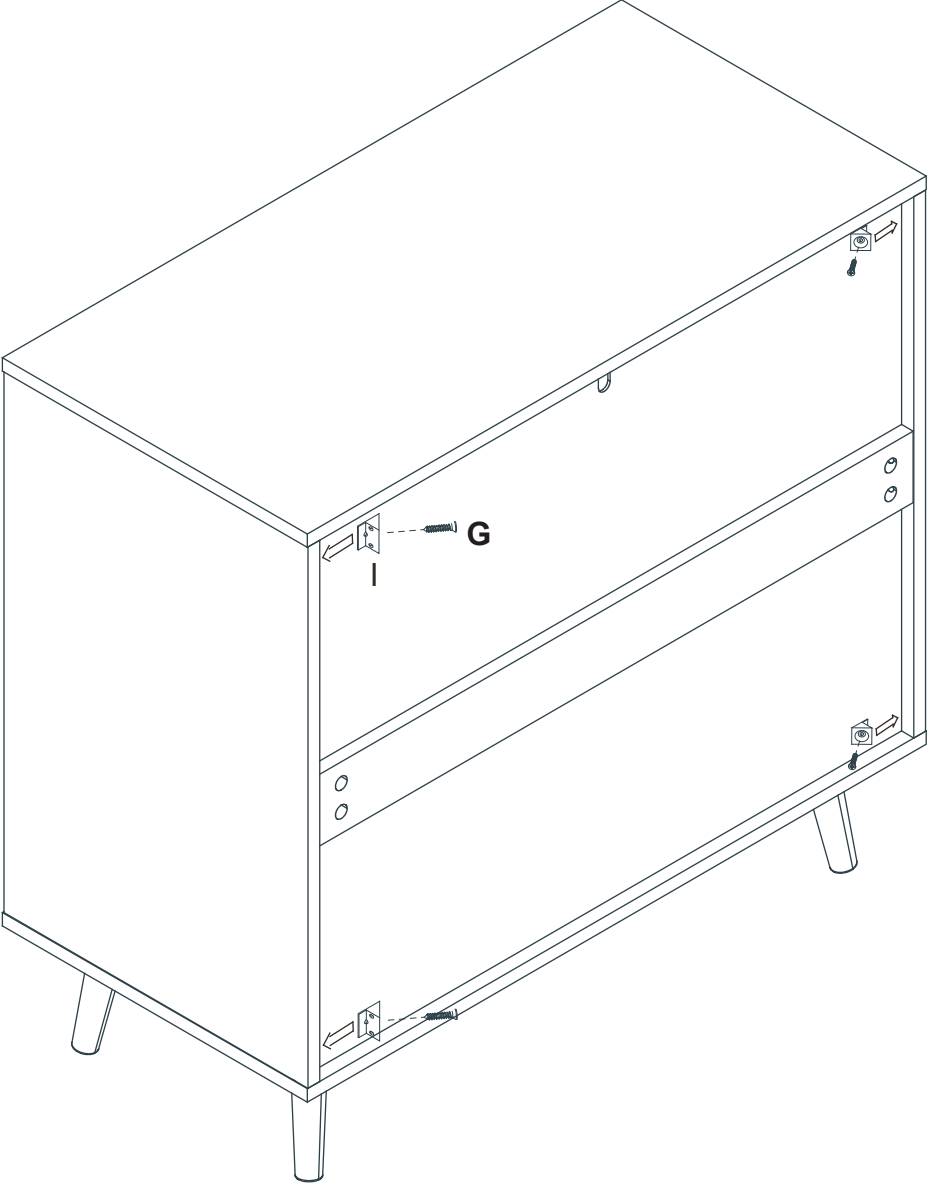
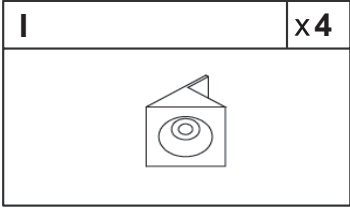
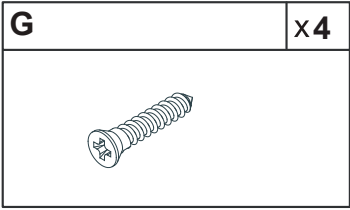
| | |
|---|-----------|
| M | x4 |
|  | |



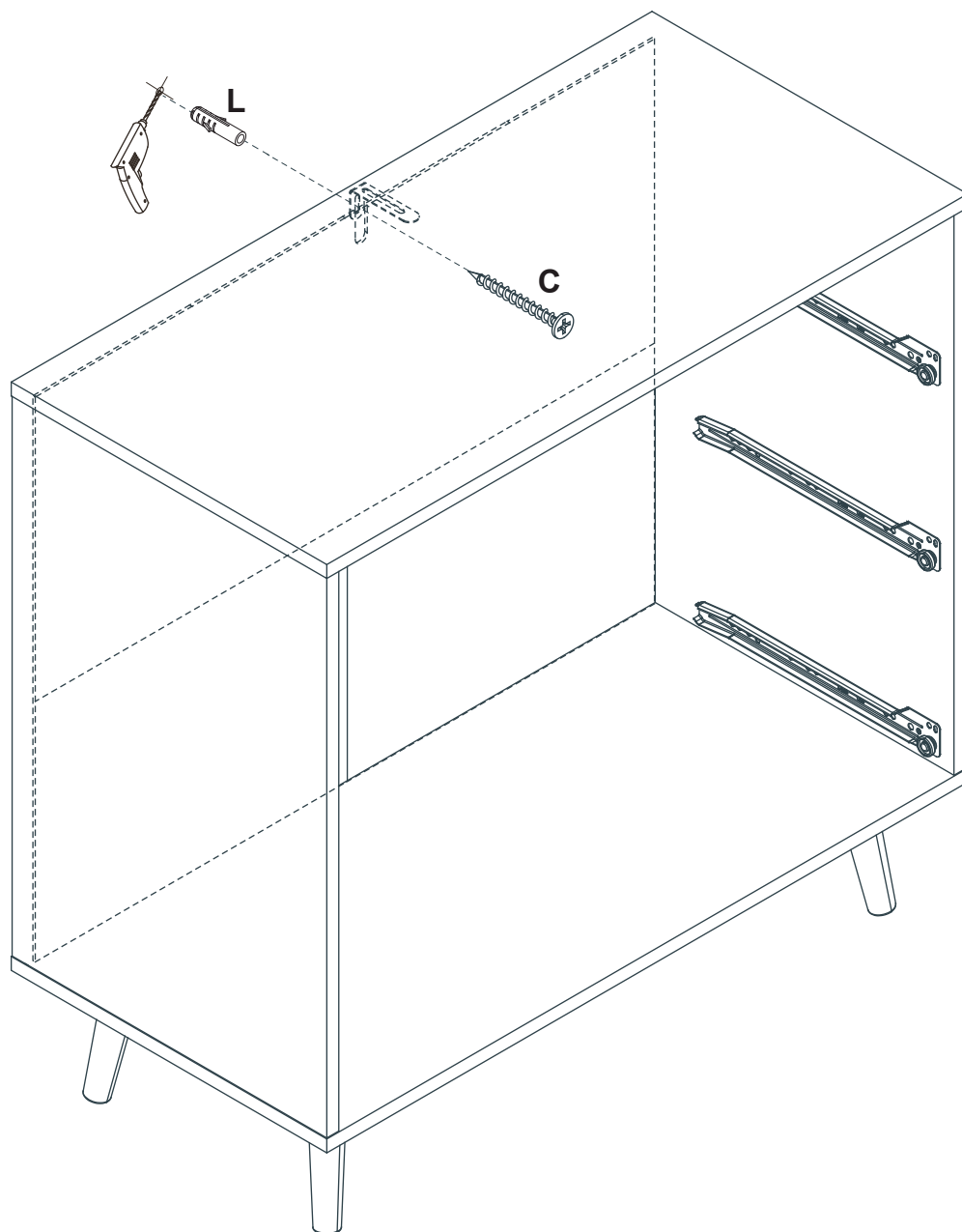
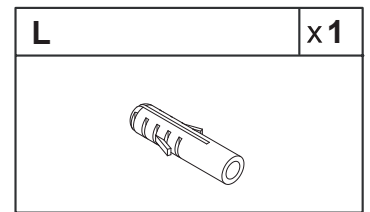
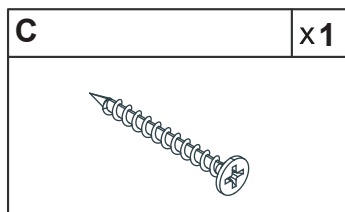
Step 8



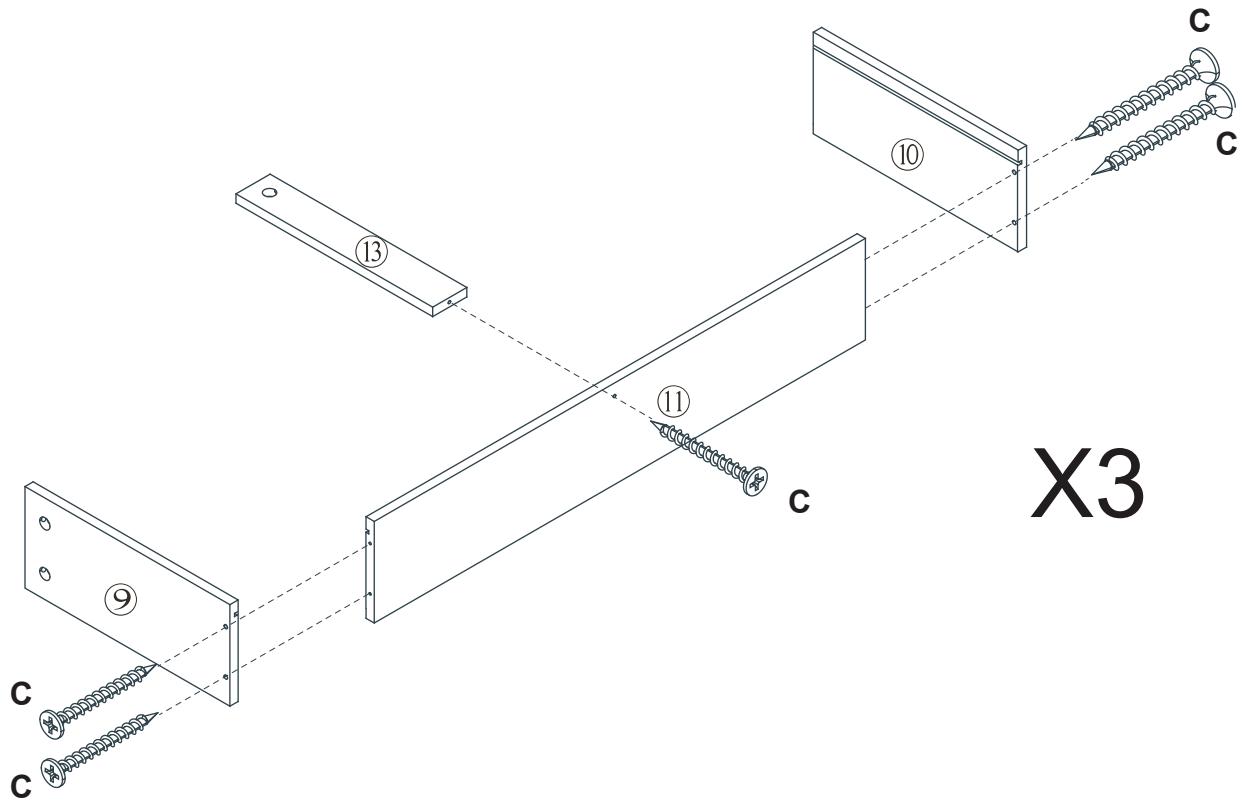
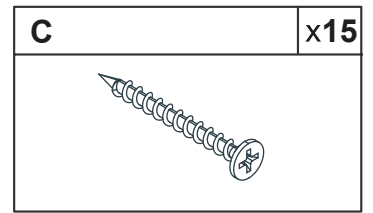
Step 9



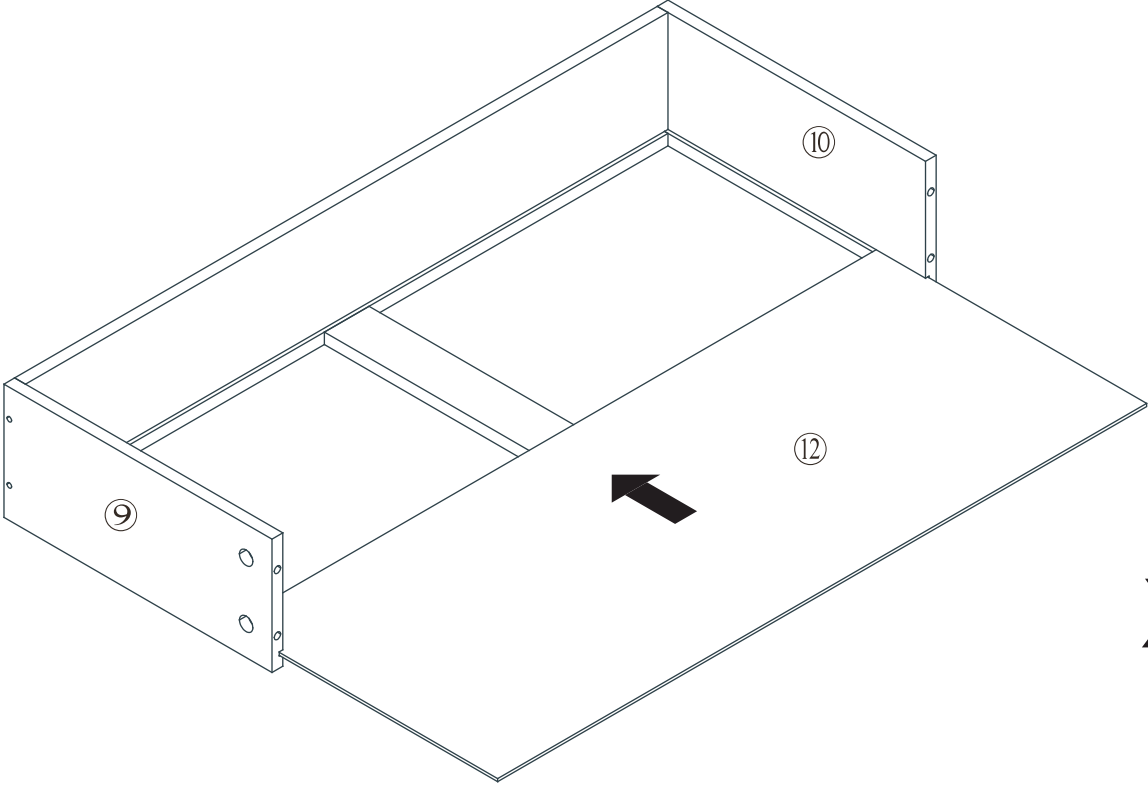
Step 10



Step 11

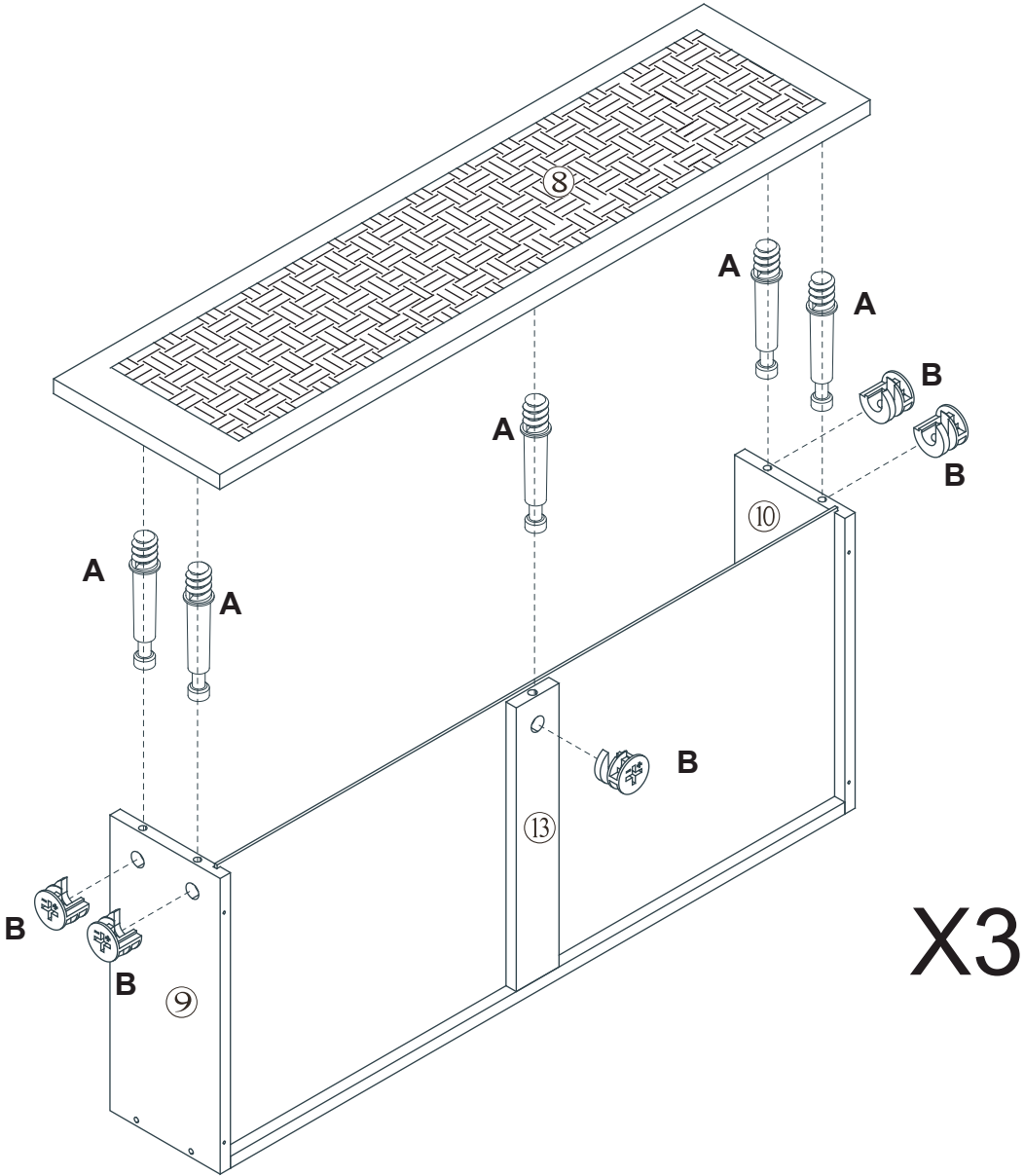
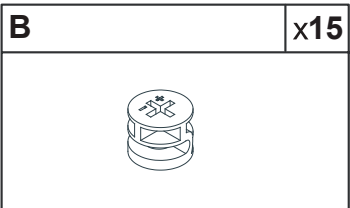
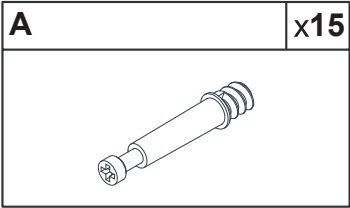


Step 12

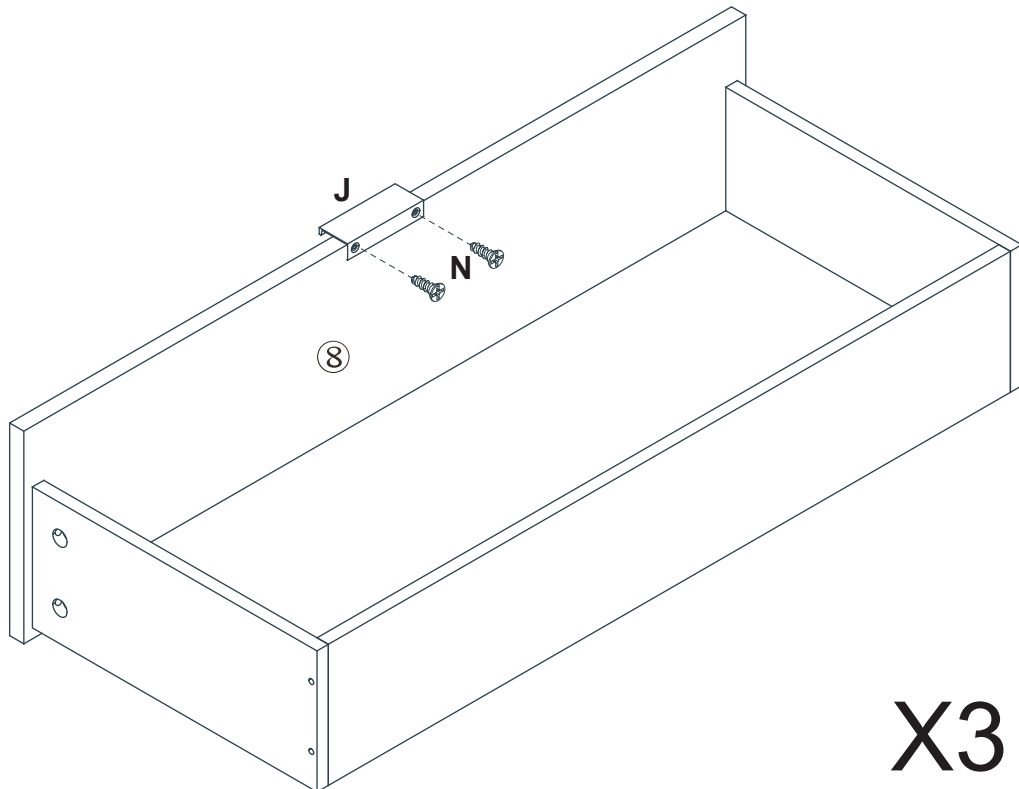
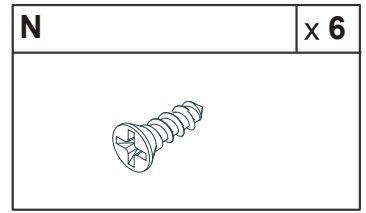
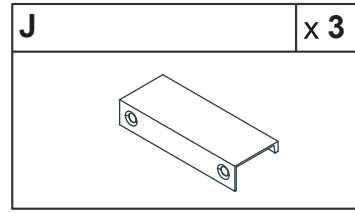


X3

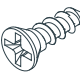
Step 13

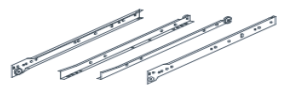


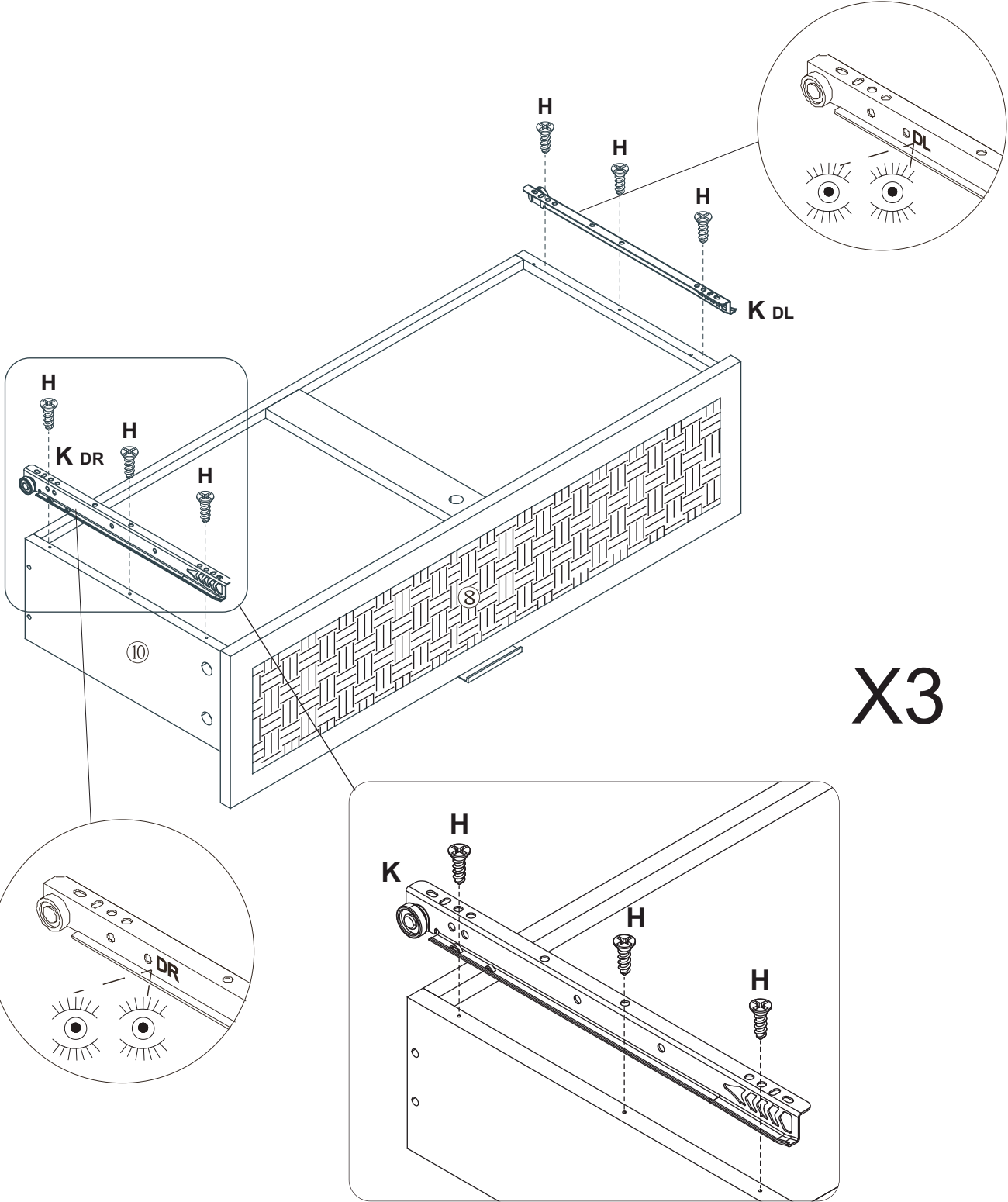
Step 14



Step 15

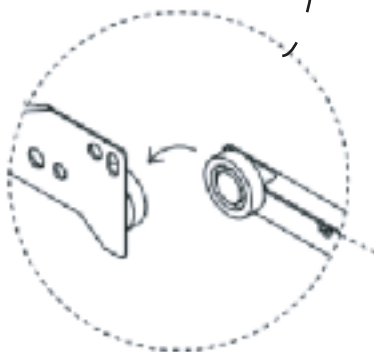
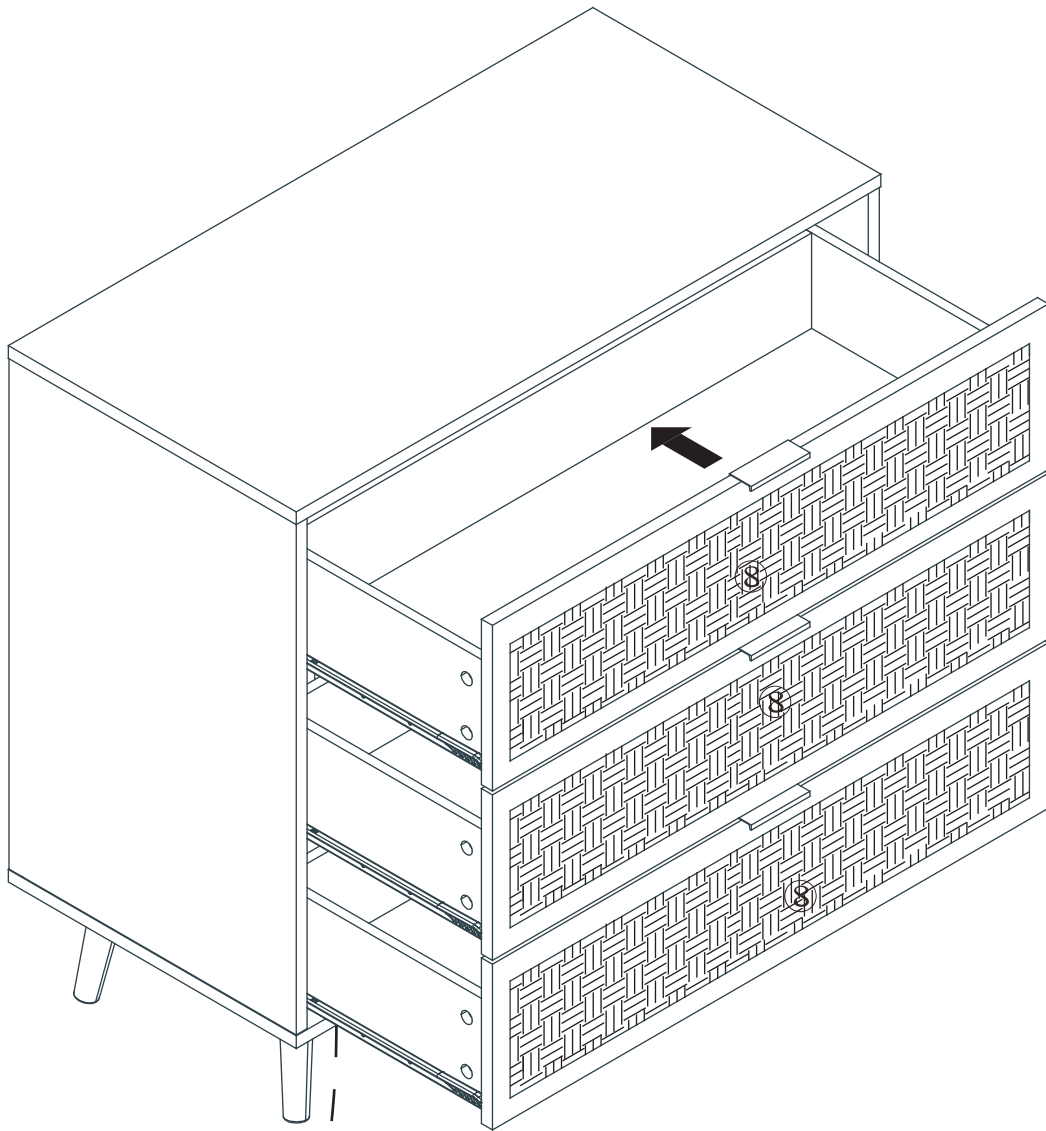
| | |
|--|------------|
| H | x18 |
|  | |

| | |
|---|-----------|
| K | x3 |
|  | |
| CL DL DR CR | |



X3

Step 16



Proper Use

- DO NOT** use for commercial purposes
- DO NOT** use as a step stool or stand on table
- DO NOT** put hot serving liquid directly on the table top
- DO NOT** leave spilled liquid on the table top
- DO NOT** use table if damaged
- DO NOT** exceed weight limit
- DO NOT** make temporary repairs
- DO NOT** use outdoor

Dear Customer:

Thank you for purchasing our product, we wish you satisfy our service, if you have any further questions or any quality issues, please show the belows number and don't hesitate to contact our Customer Service People.:

W688202302