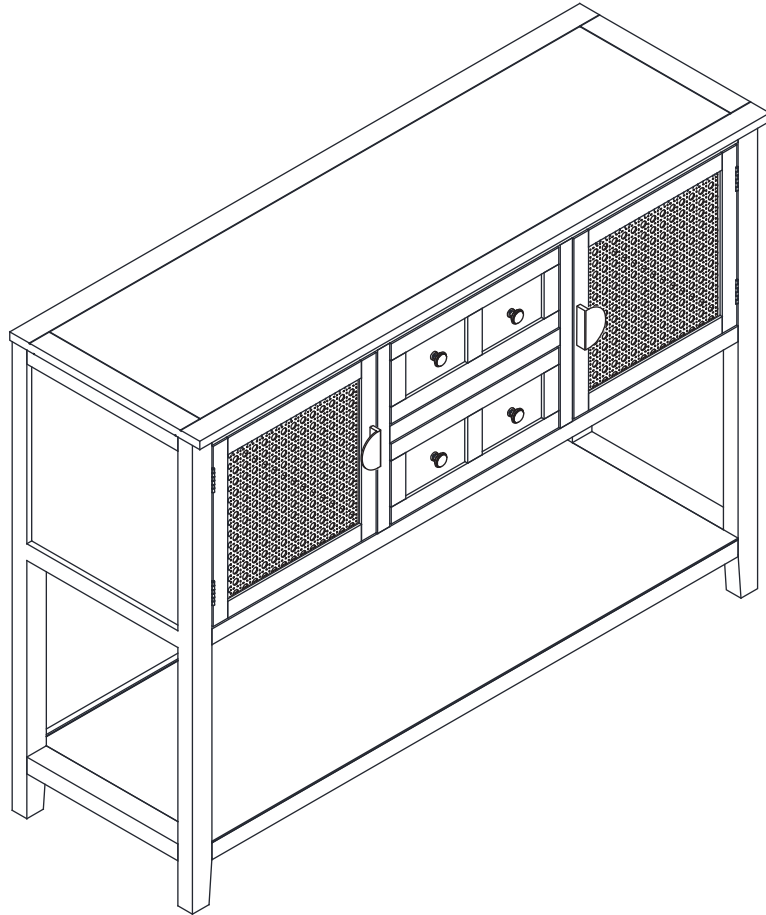


Installation Instruction



Product name

W688105157

Assembling

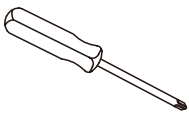
Estimated time for assembly



30 : 00

What you need

- Use the packaging carton as a working surface to prevent product damage during assembly
- Phillips head screwdriver



Weight Limitation



50 | **20** | **20**
lbs table top lbs per drawer lbs per shelf



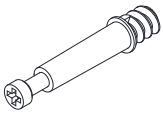
2 PERSONS

What's included

Code	Description	Qty
A	Cam Bolt M6X35MM	14
B	Cam Lock 15X10MM	14
C	Screw M4X40MM	14
D	Wooden Dowel M6X30MM	18
E	Screw M4X14MM	2
F	Bolt M4X16MM	4
G	Gold Handle	2
H	Anchor M6X30	2
I	Handle	4
J	Bolt M4X12MM	4
K	Screw M3X16MM	4
L	Plastic Corner Support	4
M	Magnetic Door Catcher	2
N	Screw M3X14MM	2
O	Metal Plate	2
P	Screw M3.5X14MM	12
Q	Nylon Strap	2
R	Bolt M6X30MM	12
S	Allen Key	1
T	Metal Washer	12

The Hardwares

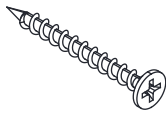
A



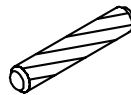
B



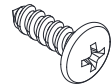
C



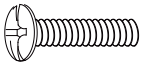
D



E



F



G



H



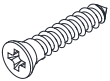
I



J



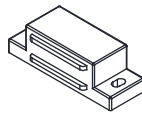
K



L



M



N



O



P



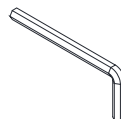
Q



R



S



T



IMPORTANT:

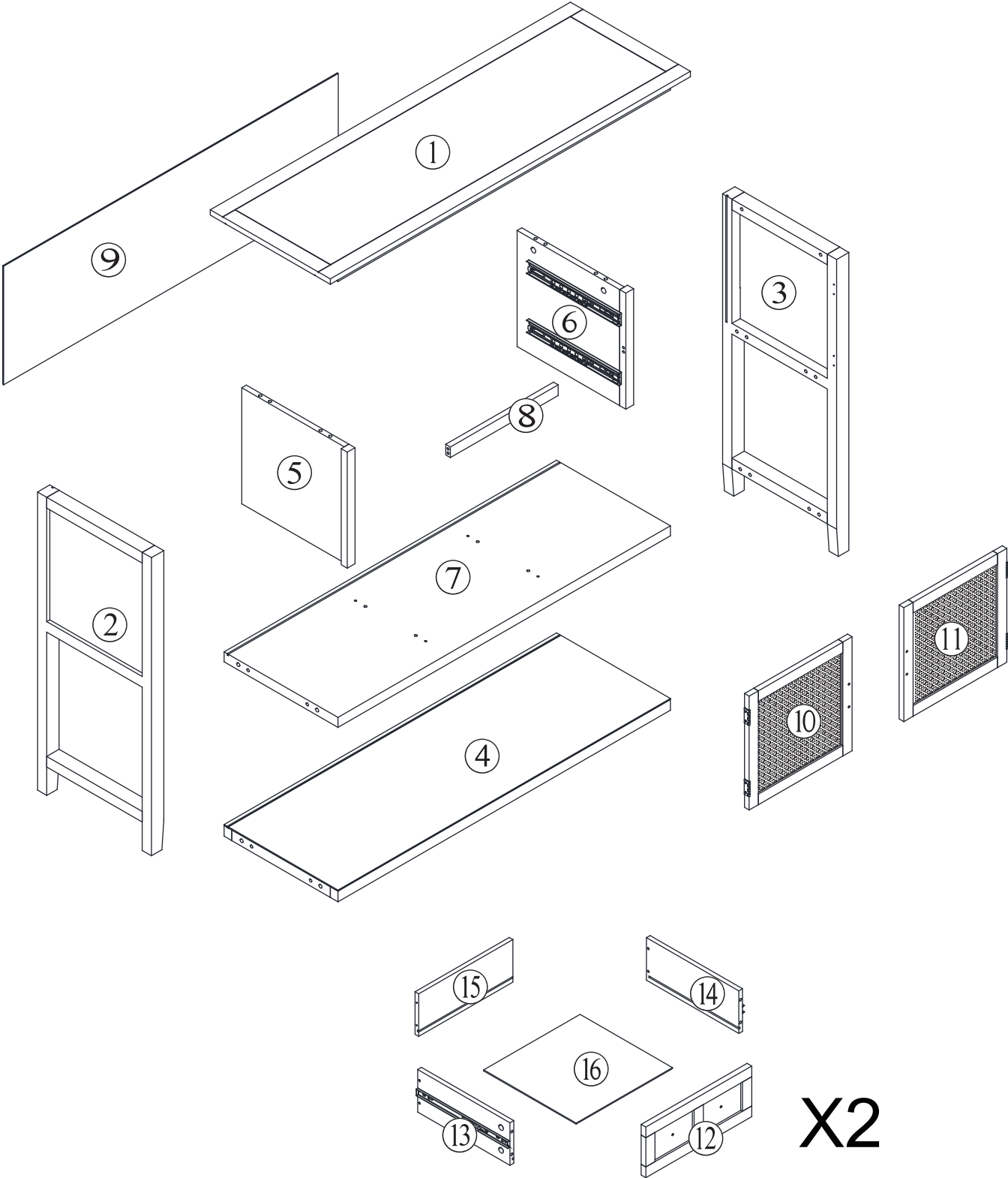
1. Do not tighten bolts / screws completely until all bolts / screws are lined up and inserted into holes.
2. Do not over tighten screws and bolts to avoid stripping.
3. Please use hand tools to assemble this product. Do not use power tools.
4. Must need 2 people to assemble this product.



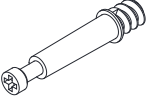
Included Accessories

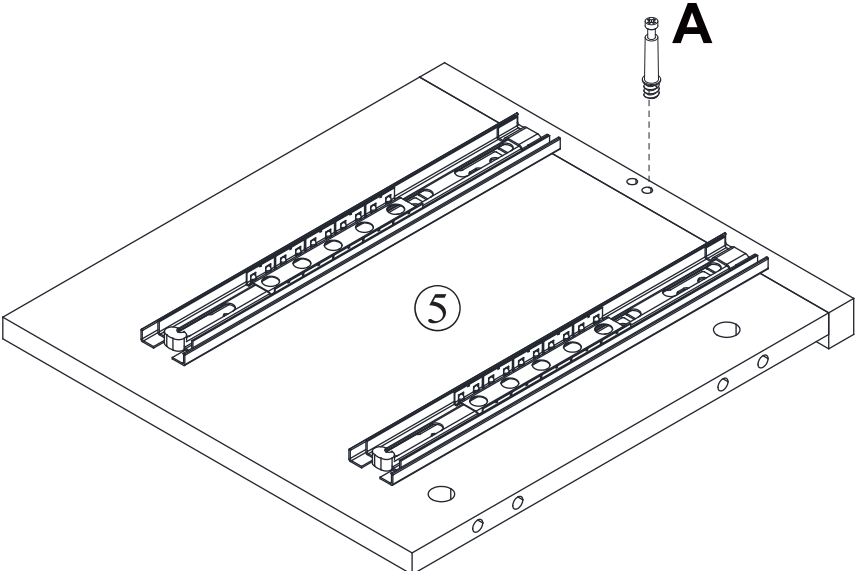
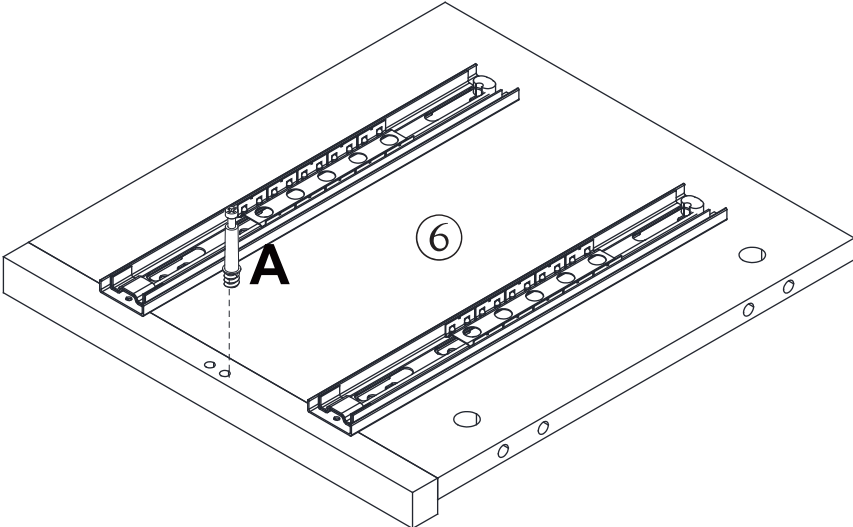
Code	Description	Qty
1	Cabinet Top	1
2	Left Side Panel	1
3	Right Side Panel	1
4	Bottom Panel	1
5	Left Partition Panel	1
6	Right Partition Panel	1
7	Shelf	1
8	Horizontal Stretcher	1
9	Back Panel	1
10	Left Door	1
11	Right Door	1
12	Drawer Front Panel	2
13	Drawer Left Side Panel	2
14	Drawer Right Side Panel	2
15	Drawer Back Panel	2
16	Drawer Bottom Panel	2

The Accessoriess

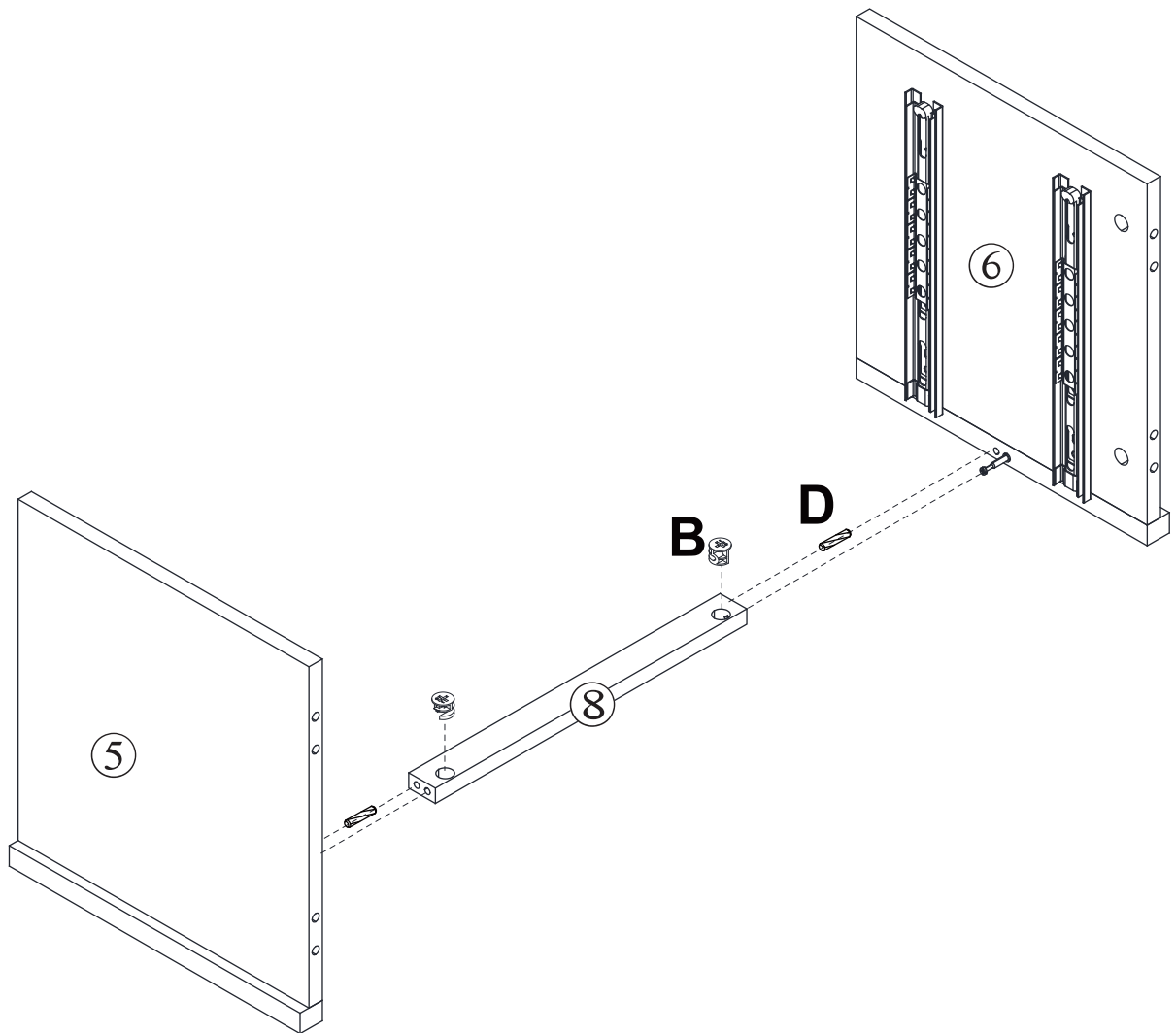
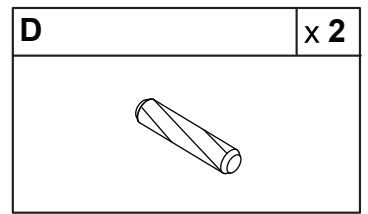
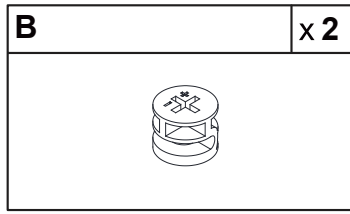


Step 1

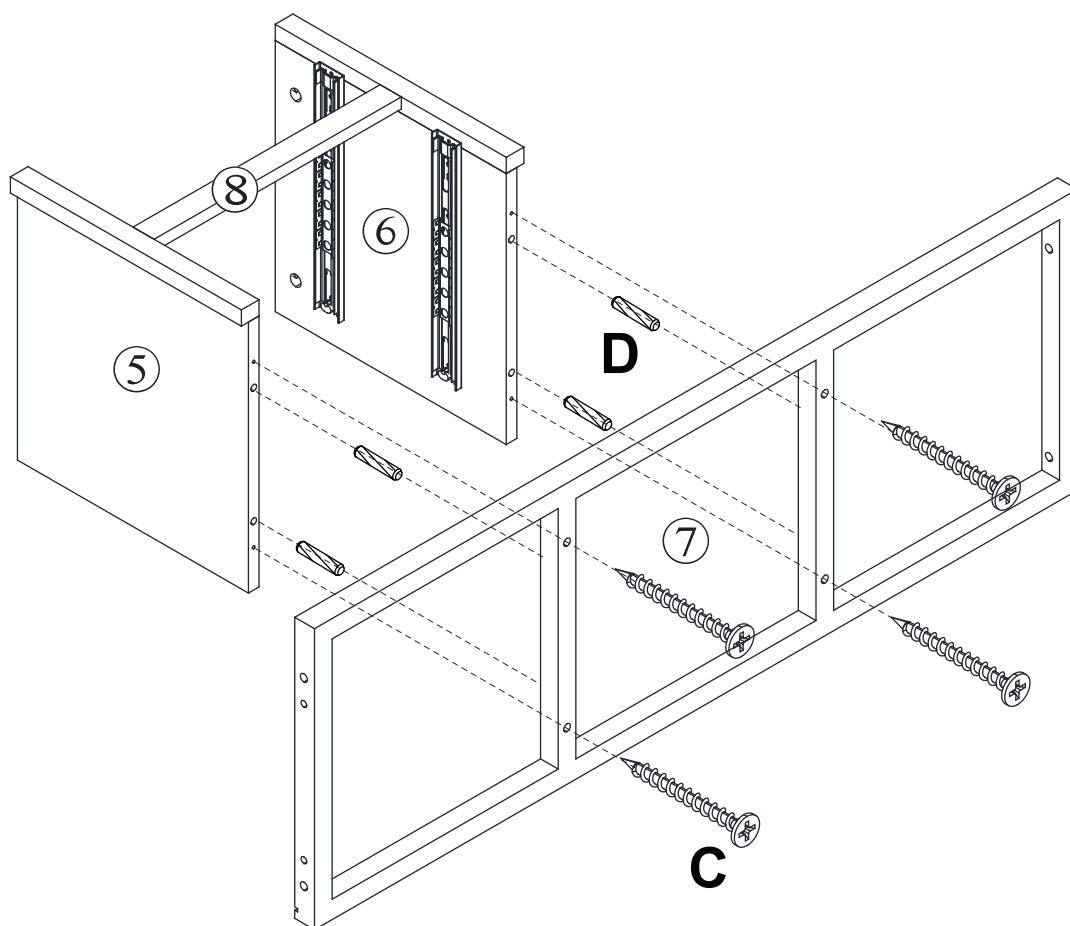
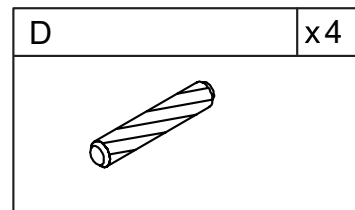
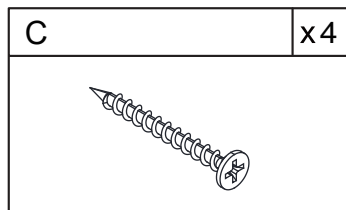
A	x2
	



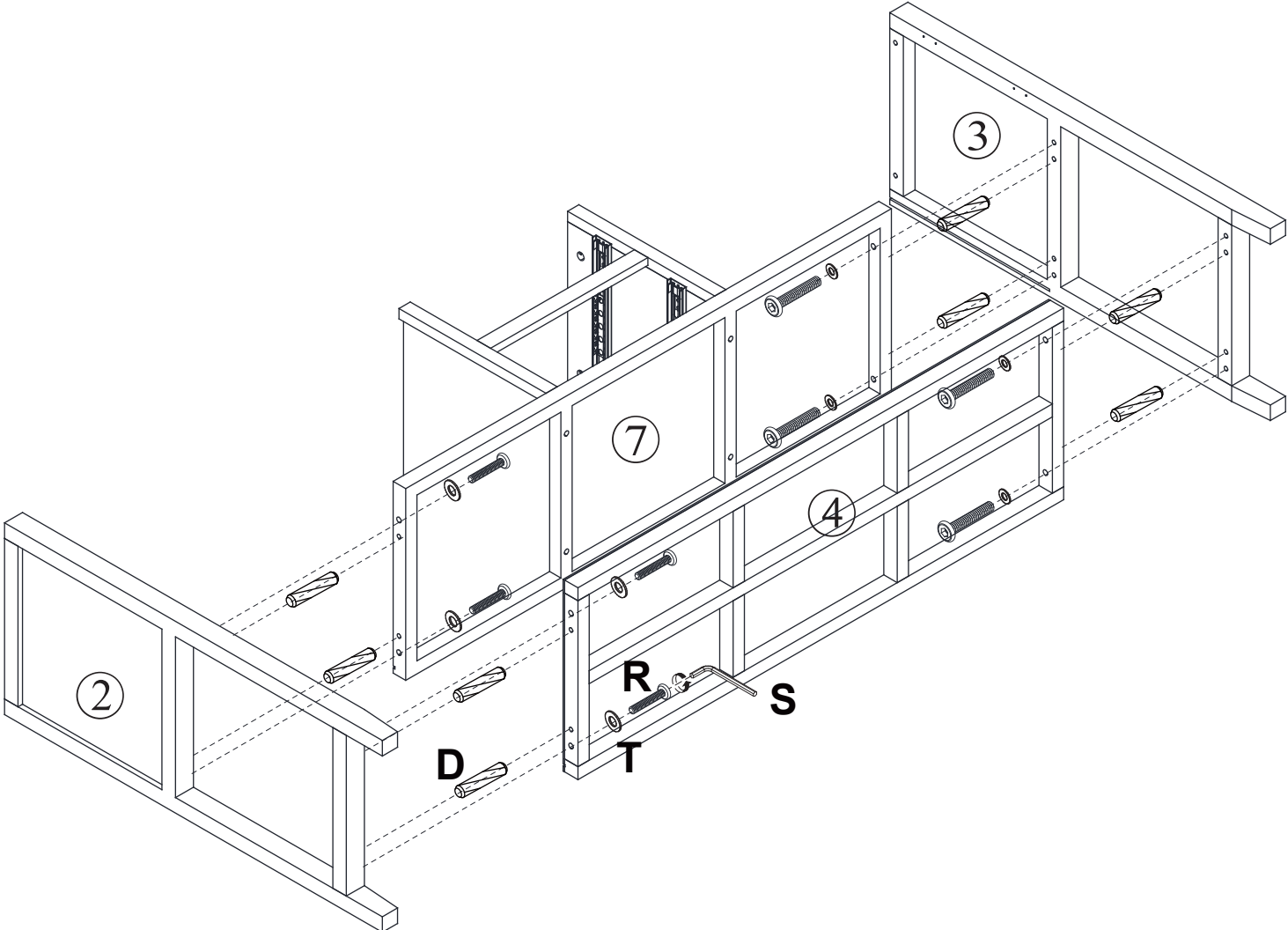
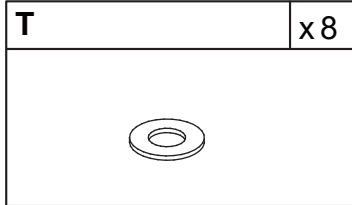
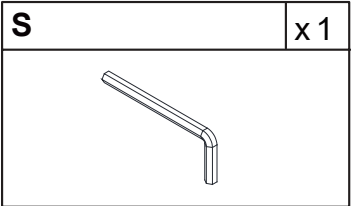
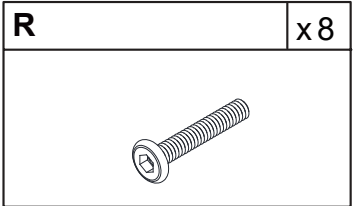
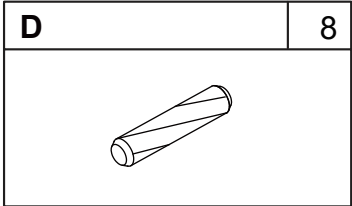
Step 2



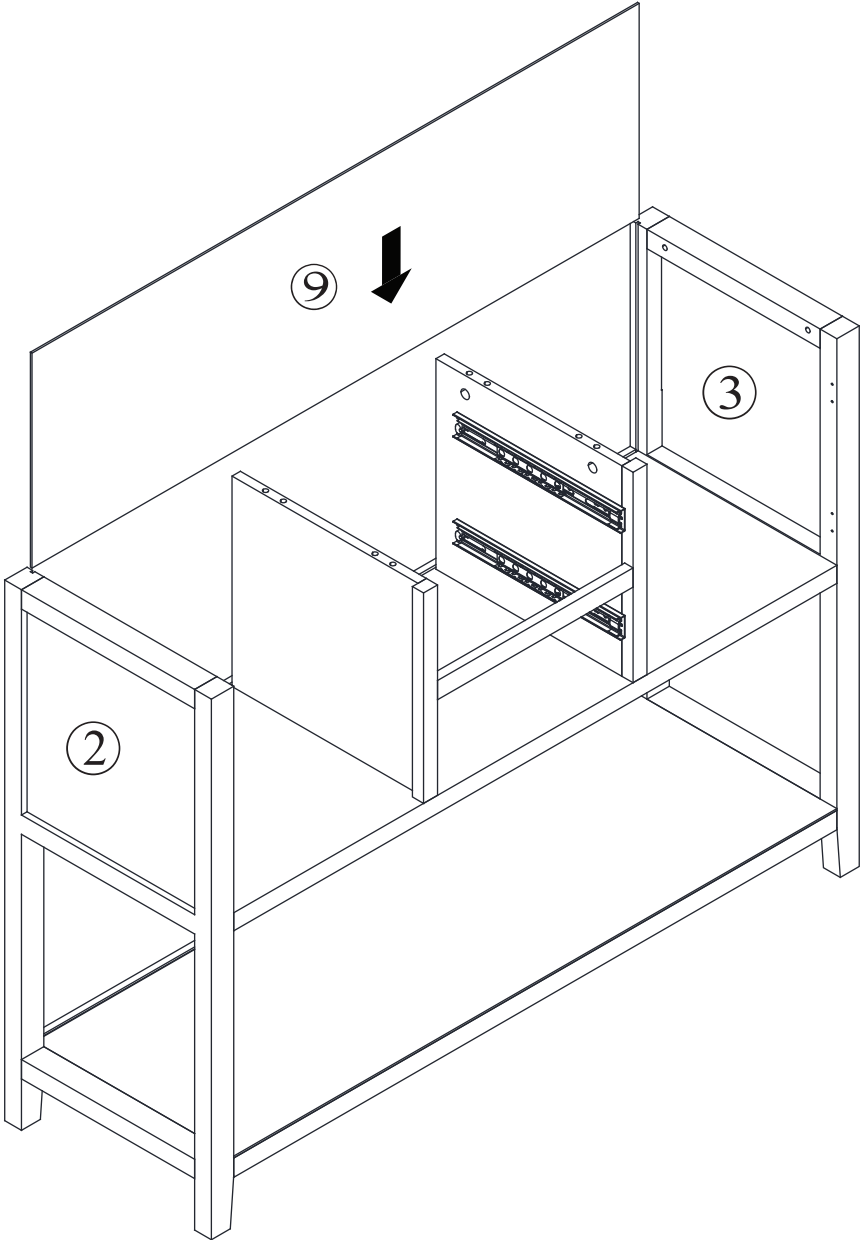
Step 3



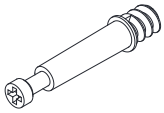
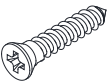
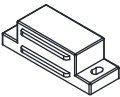
Step 4

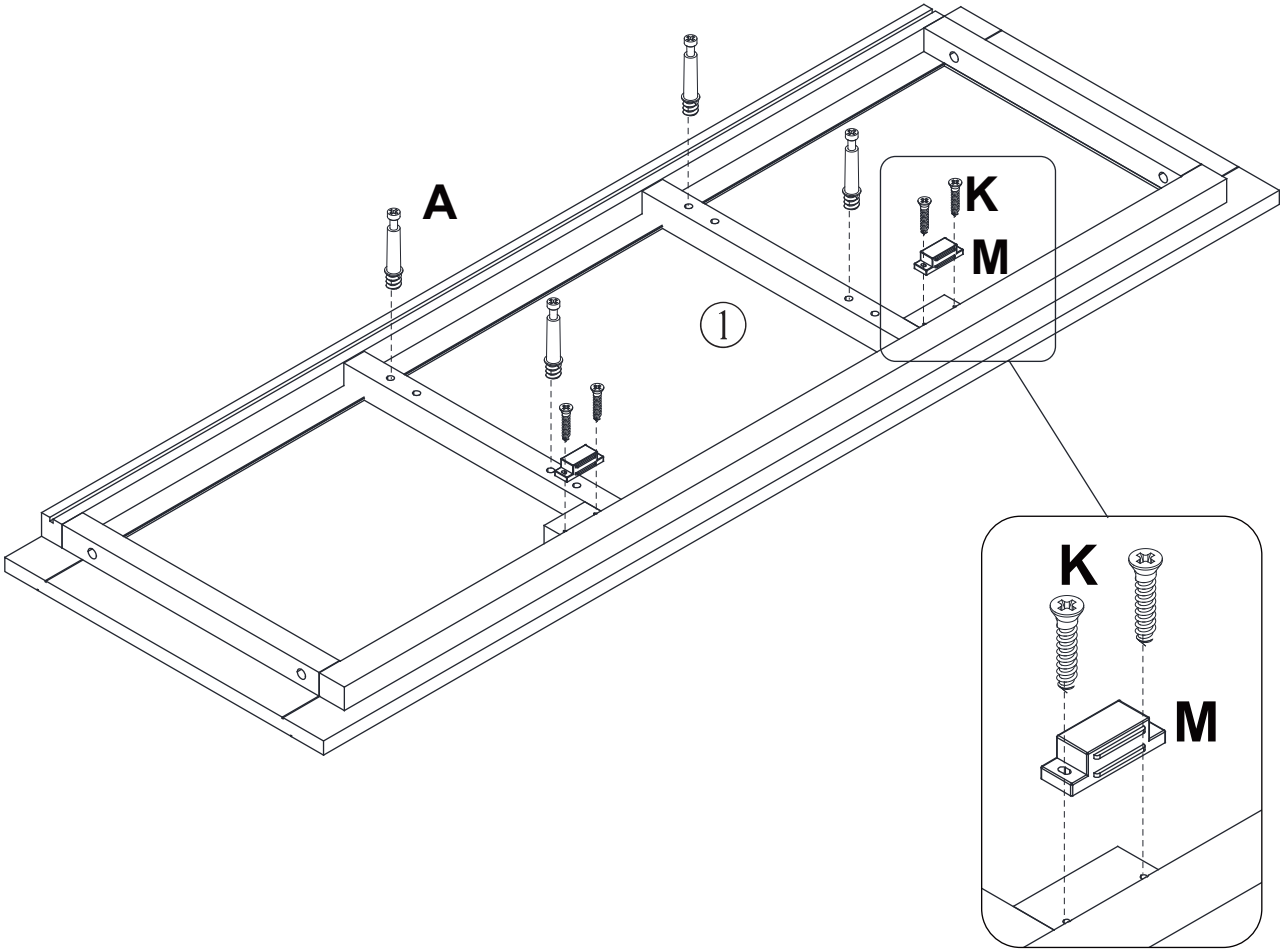


Step 5

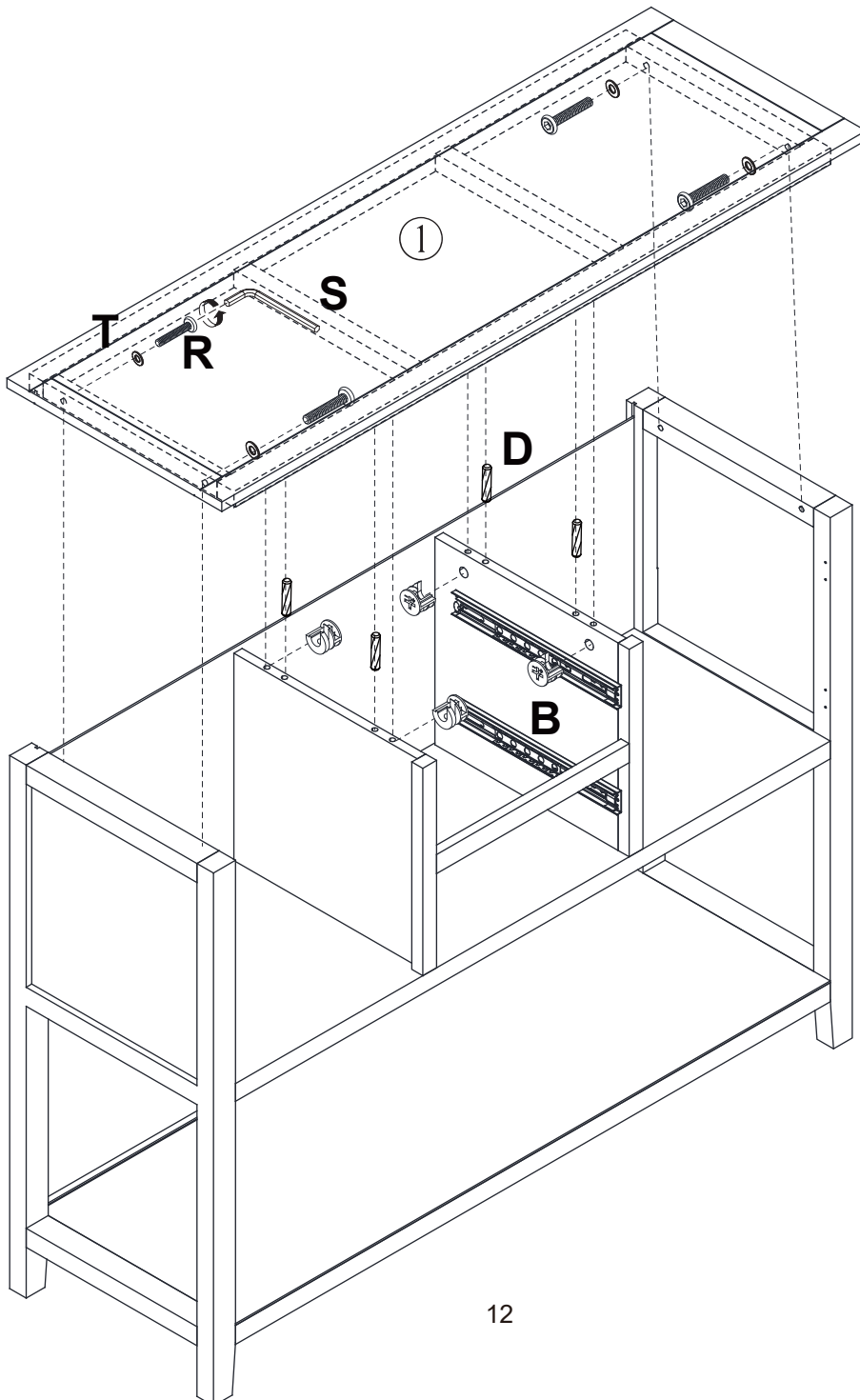
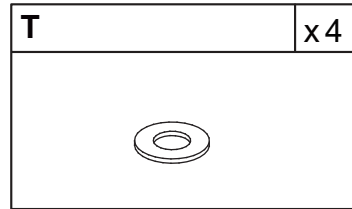
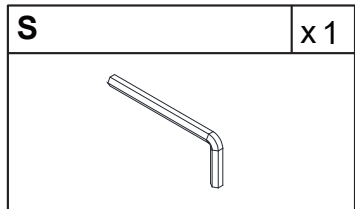
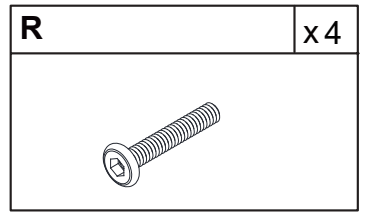
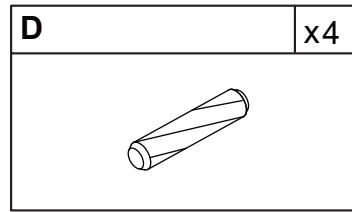
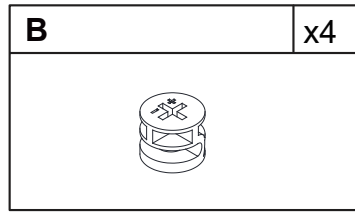


Step 6

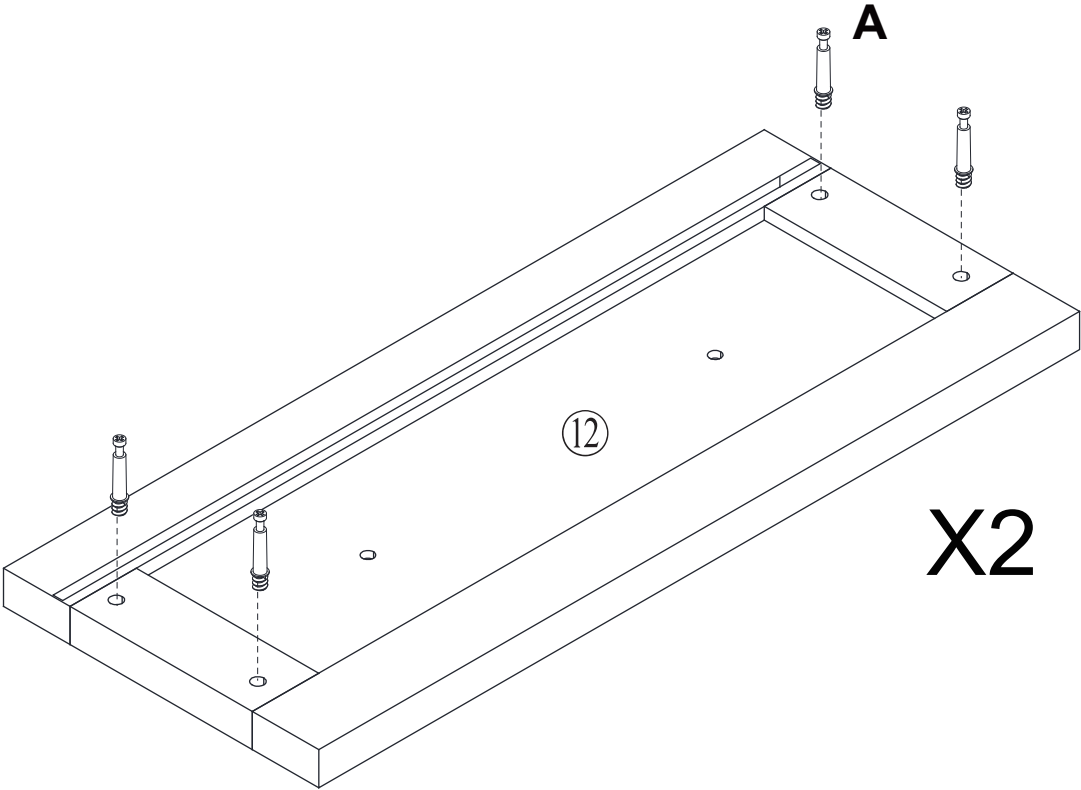
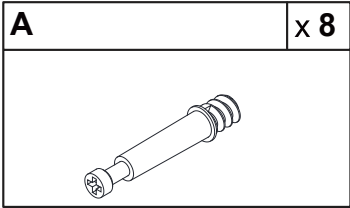
A	x 4	K	x 4	M	x 2
					



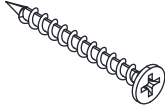
Step 7

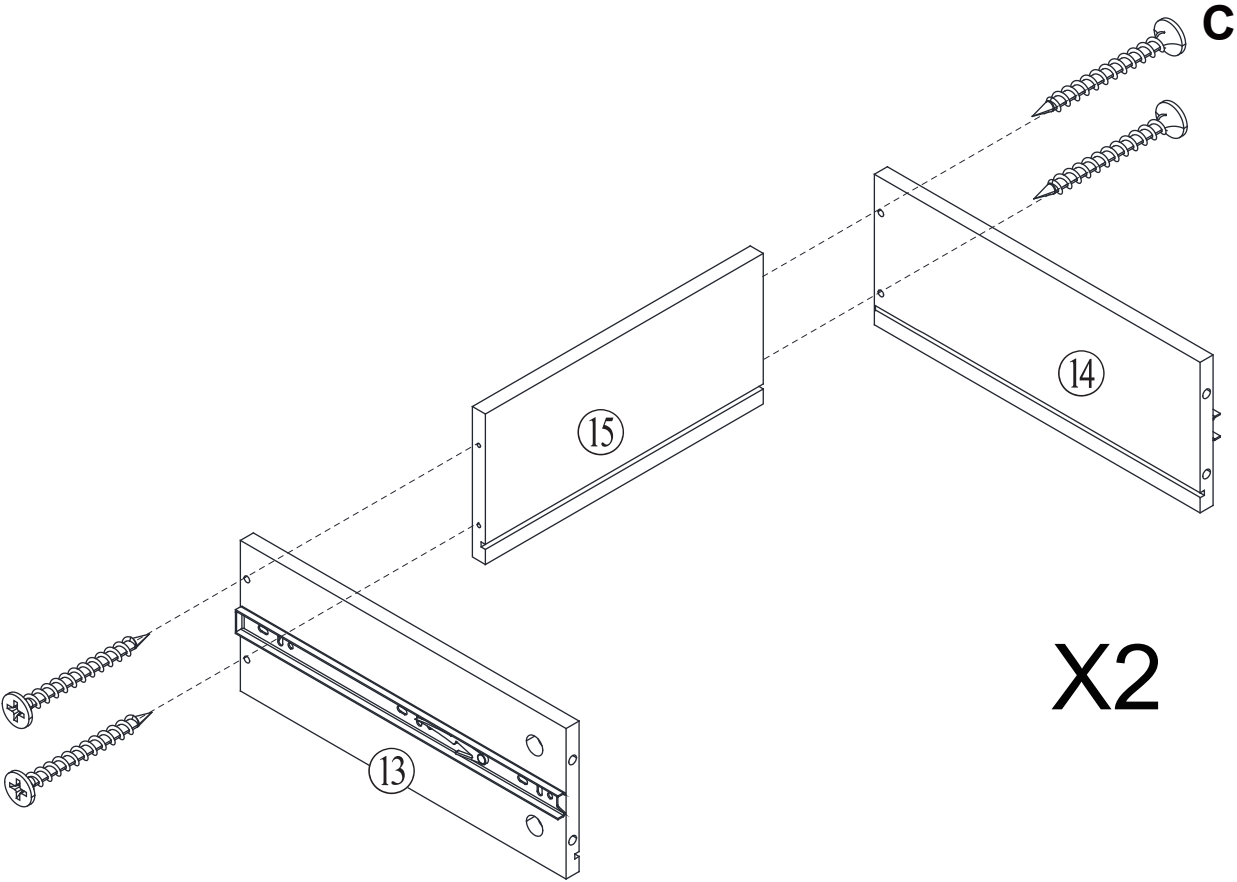


Step 8

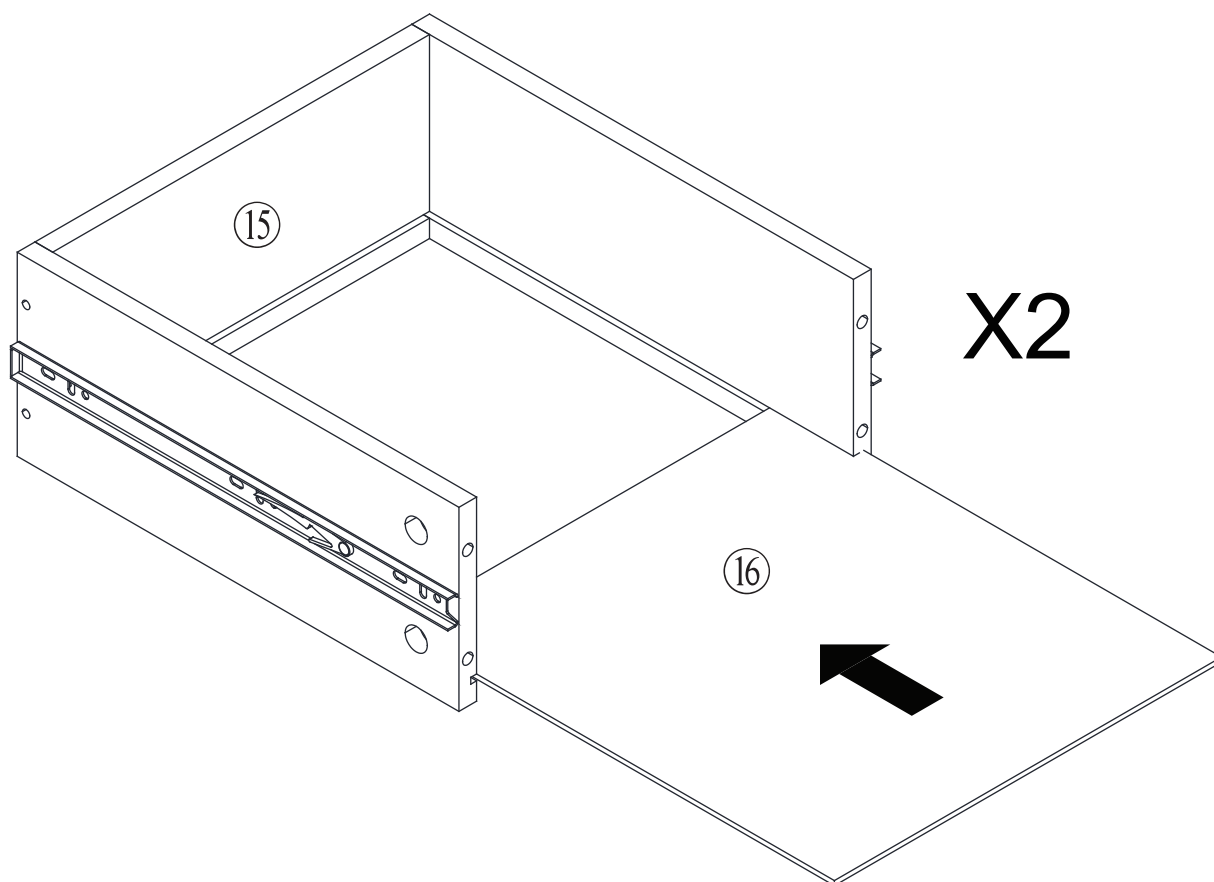


Step 9

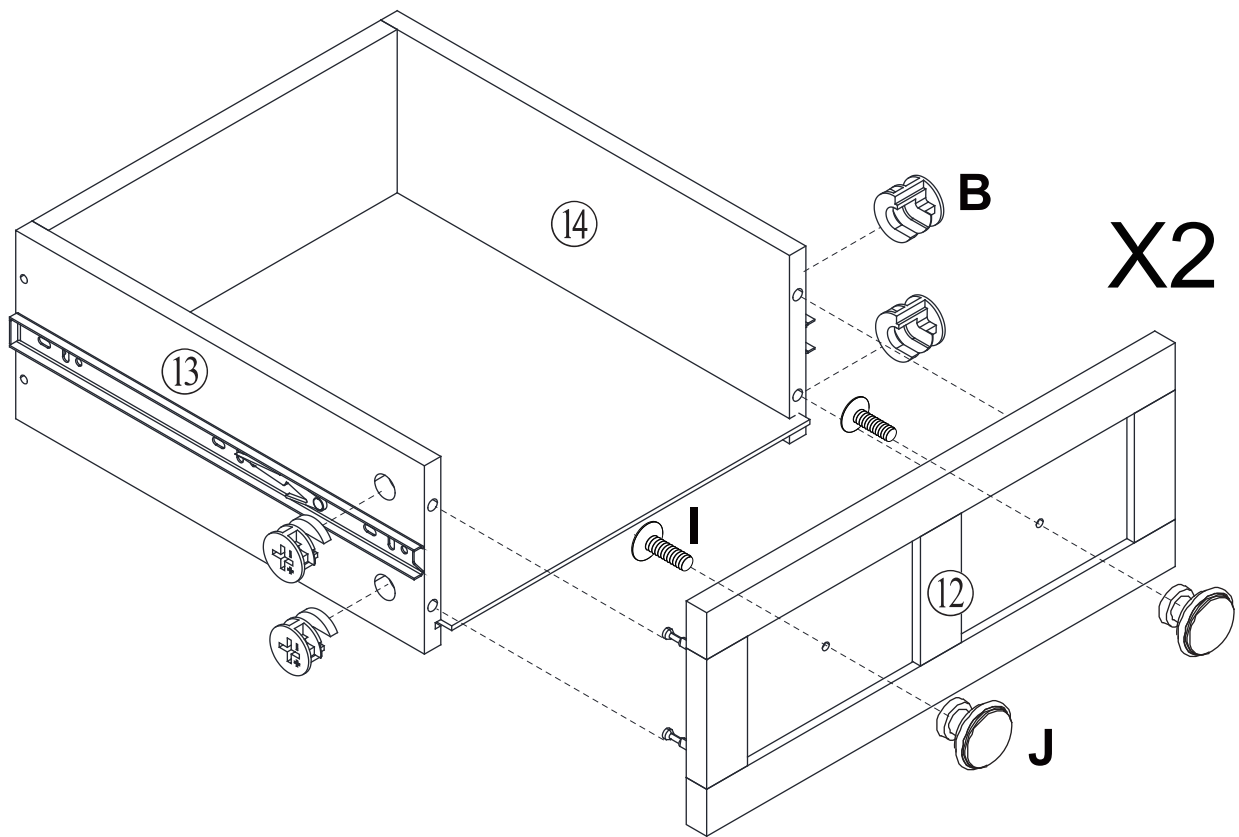
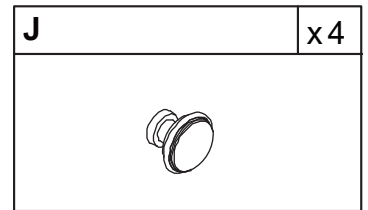
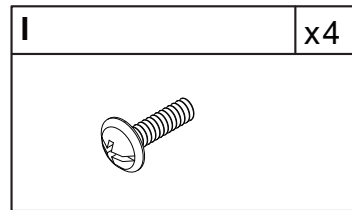
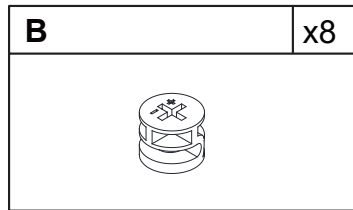
C	x 8
	



Step 10

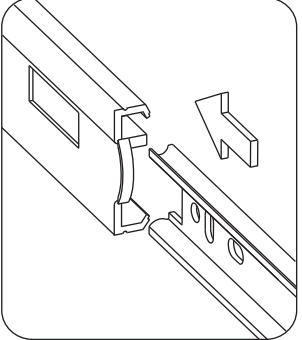
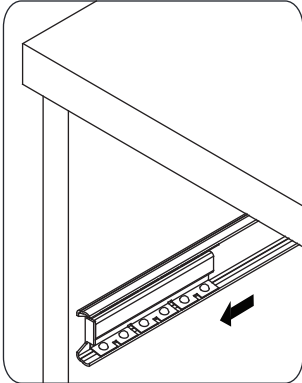
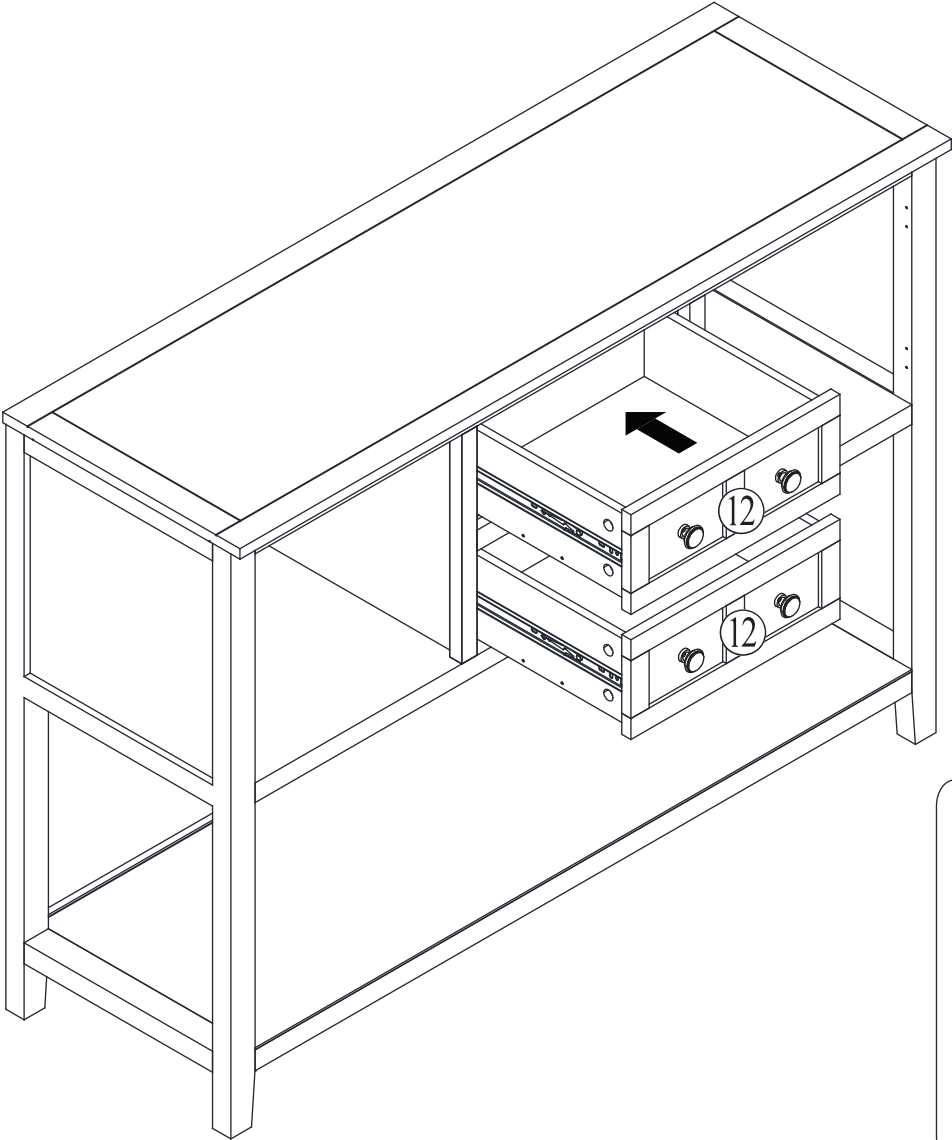


Step 11

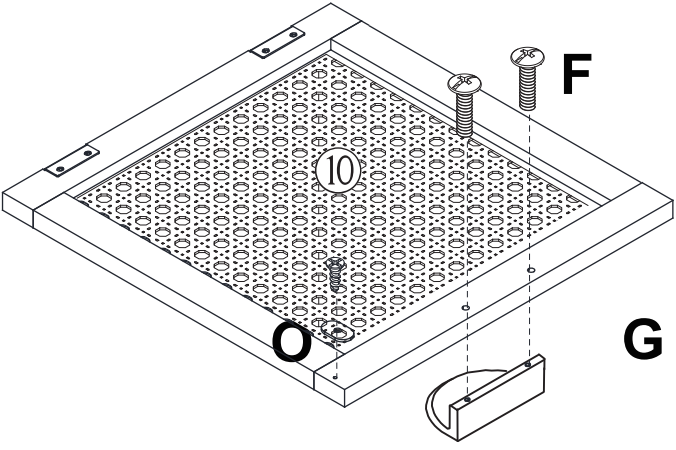
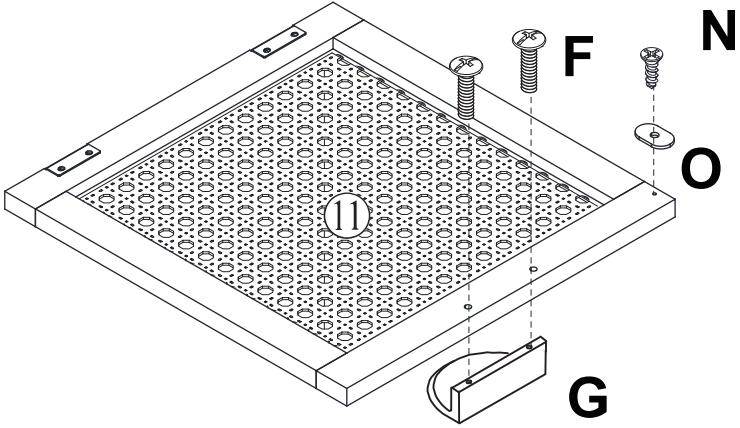
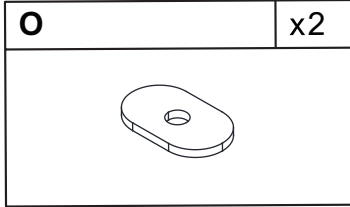
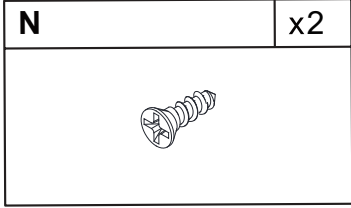
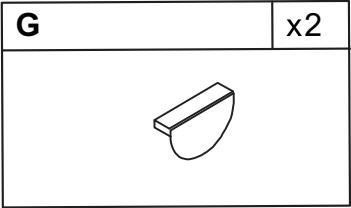
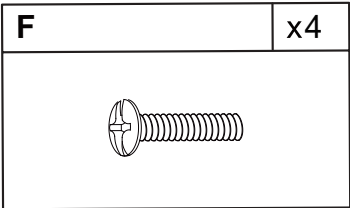


α

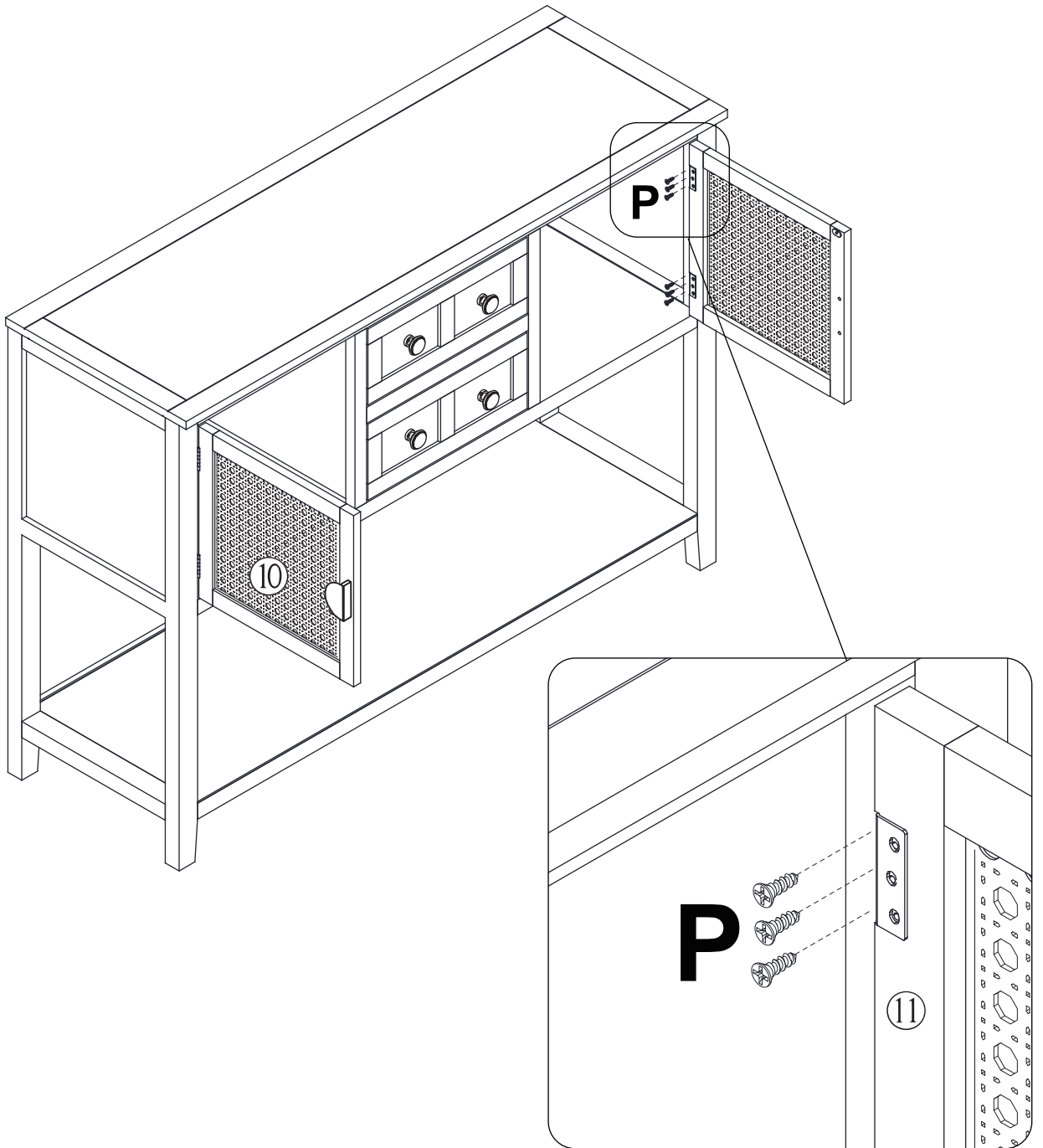
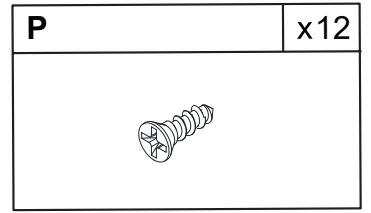
Step 12



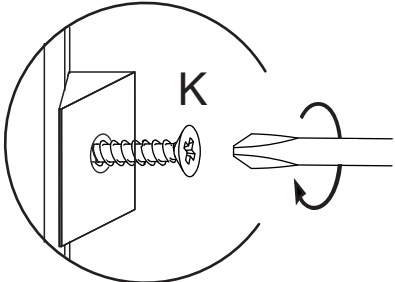
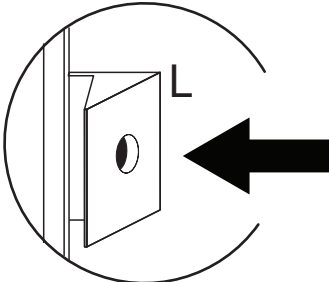
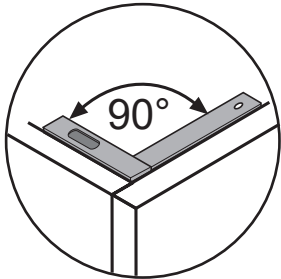
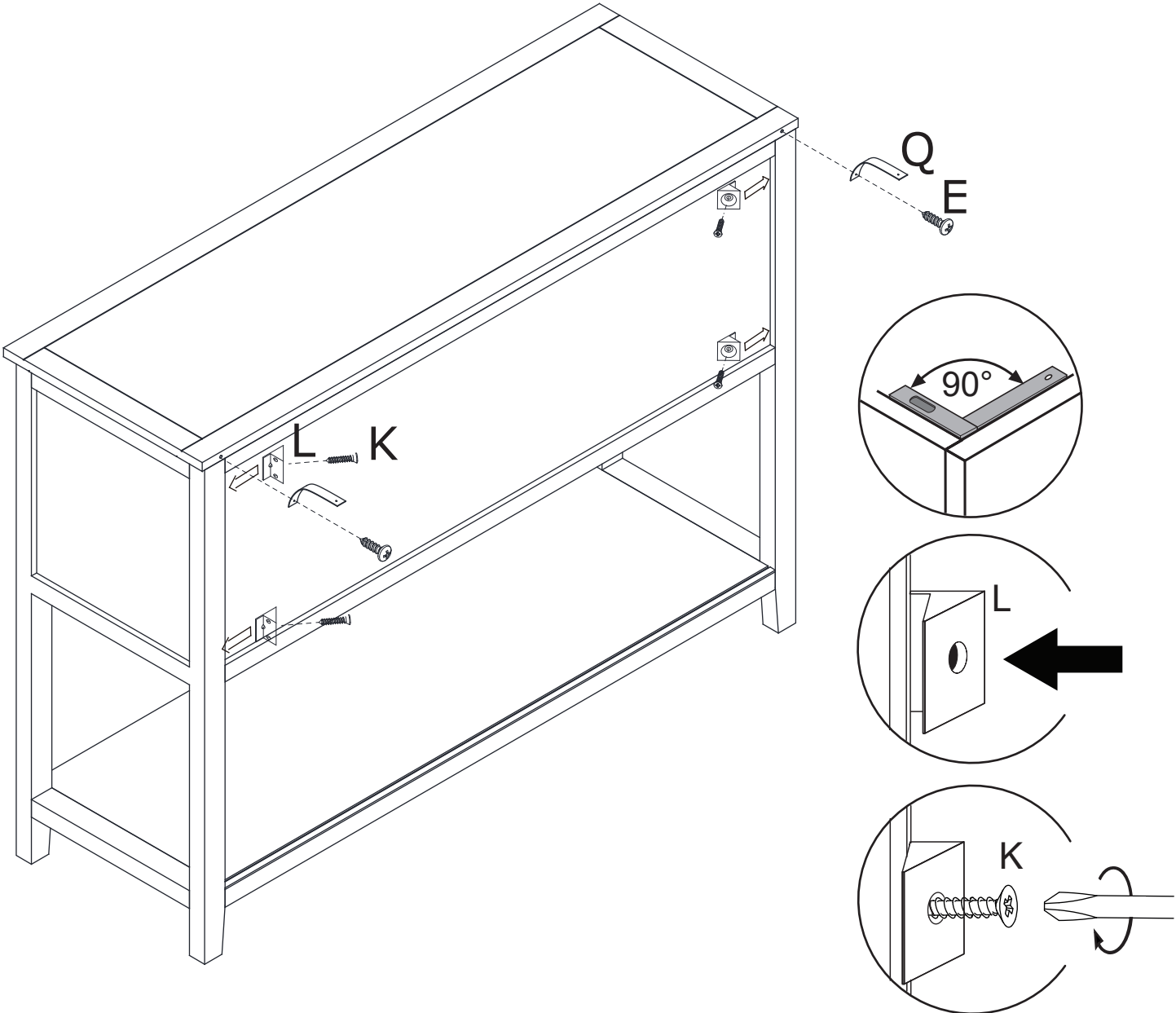
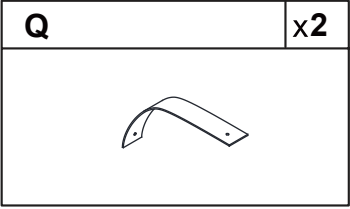
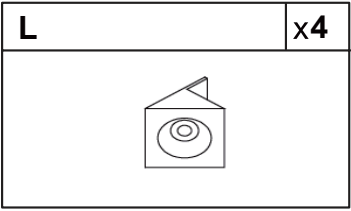
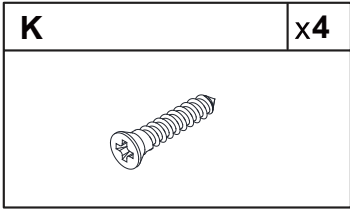
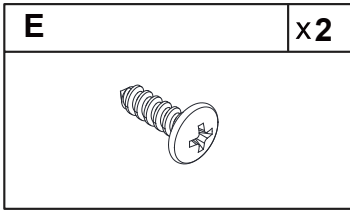
Step 13



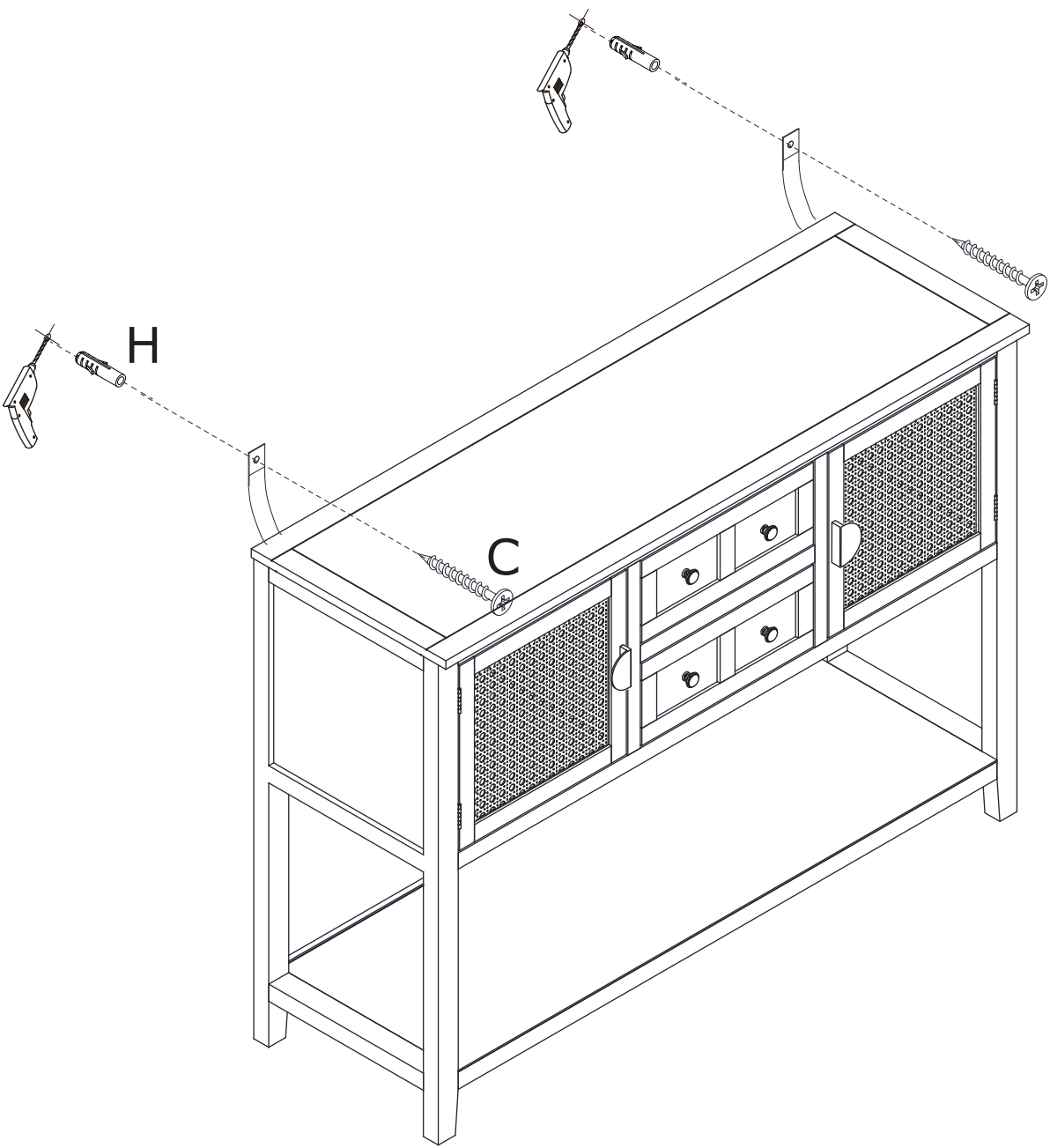
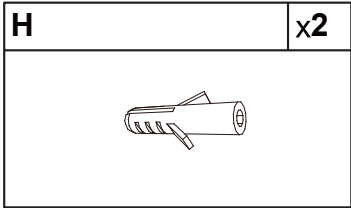
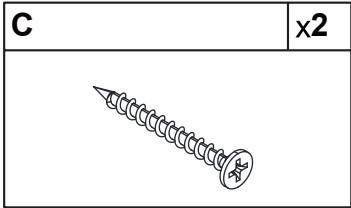
Step 14



Step 15



Step 16



Proper Use

- DO NOT** use for commercial purposes
- DO NOT** use as a step stool or stand on table
- DO NOT** put hot serving liquid directly on the table top
- DO NOT** leave spilled liquid on the table top
- DO NOT** use table if damaged
- DO NOT** exceed weight limit
- DO NOT** make temporary repairs
- DO NOT** use outdoor

Dear Customer:

Thank you for purchasing our product, we wish you satisfy our service, if you have any further questions or any quality issues, please show the belows number and don't hesitate to contact our Customer Service People. :

W688202305