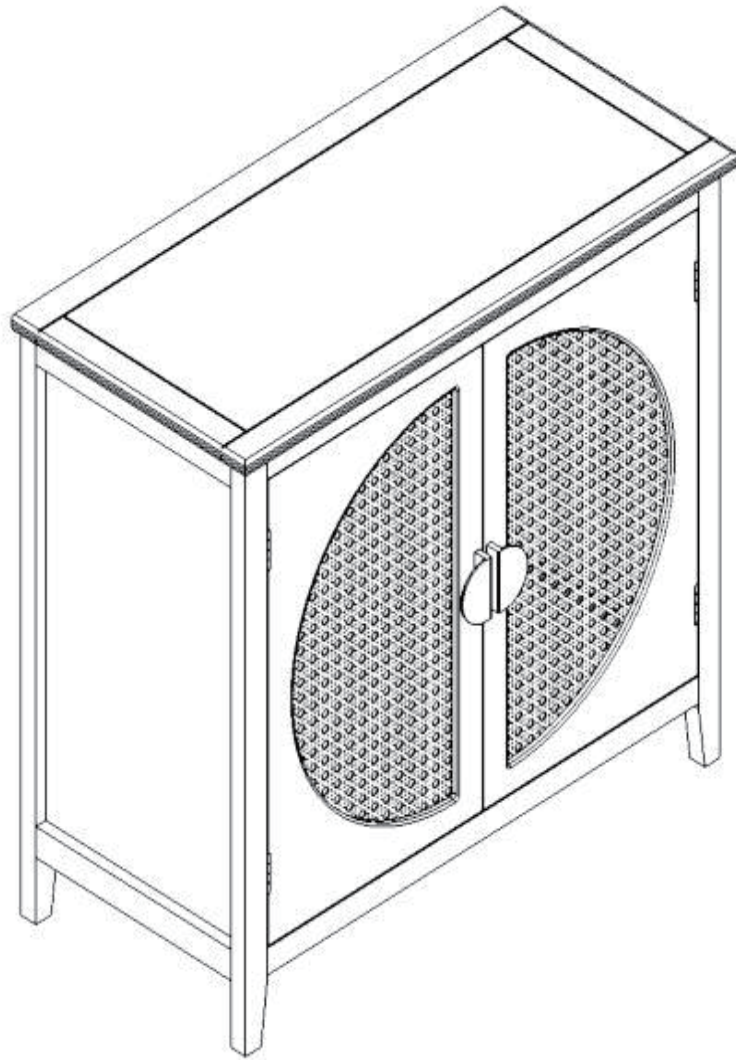


Installation Instruction



Product name

W688105109

Assembling

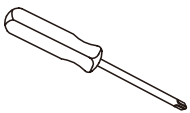
Estimated time for assembly



30 : 00

What you need

- Use the packaging carton as a working surface to prevent product damage during assembly
- Phillips head screwdriver



Weight Limitation



40 | **22**
lbs table top | lbs per drawer



2 PERSONS

What's included

Code	Description	Qty
A	Magnetic Door Catcher	2
B	Screw Φ 3x16mm	4
C	Bolt M6x35mm	12
D	Metal Washer	12
E	Allen Key	1
F	Screw Φ 4x16mm	4
G	Plastic corner support	8
H	Screw Φ 3x16mm	8
I	Screw Φ 3x14mm	12
J	Handle	2
K	Bolt M4x16mm	4
L	Nylon strap	2
M	Anchor Φ 6x30mm	2
N	Screw Φ 4x35mm	2
O	Wooden Dowel Φ 6X30MM	4

The Hardwares

A



B



C



D



E



F



G



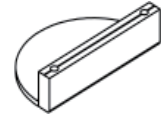
H



I



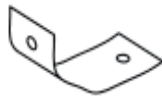
J



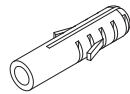
K



L



M



N



O



IMPORTANT:

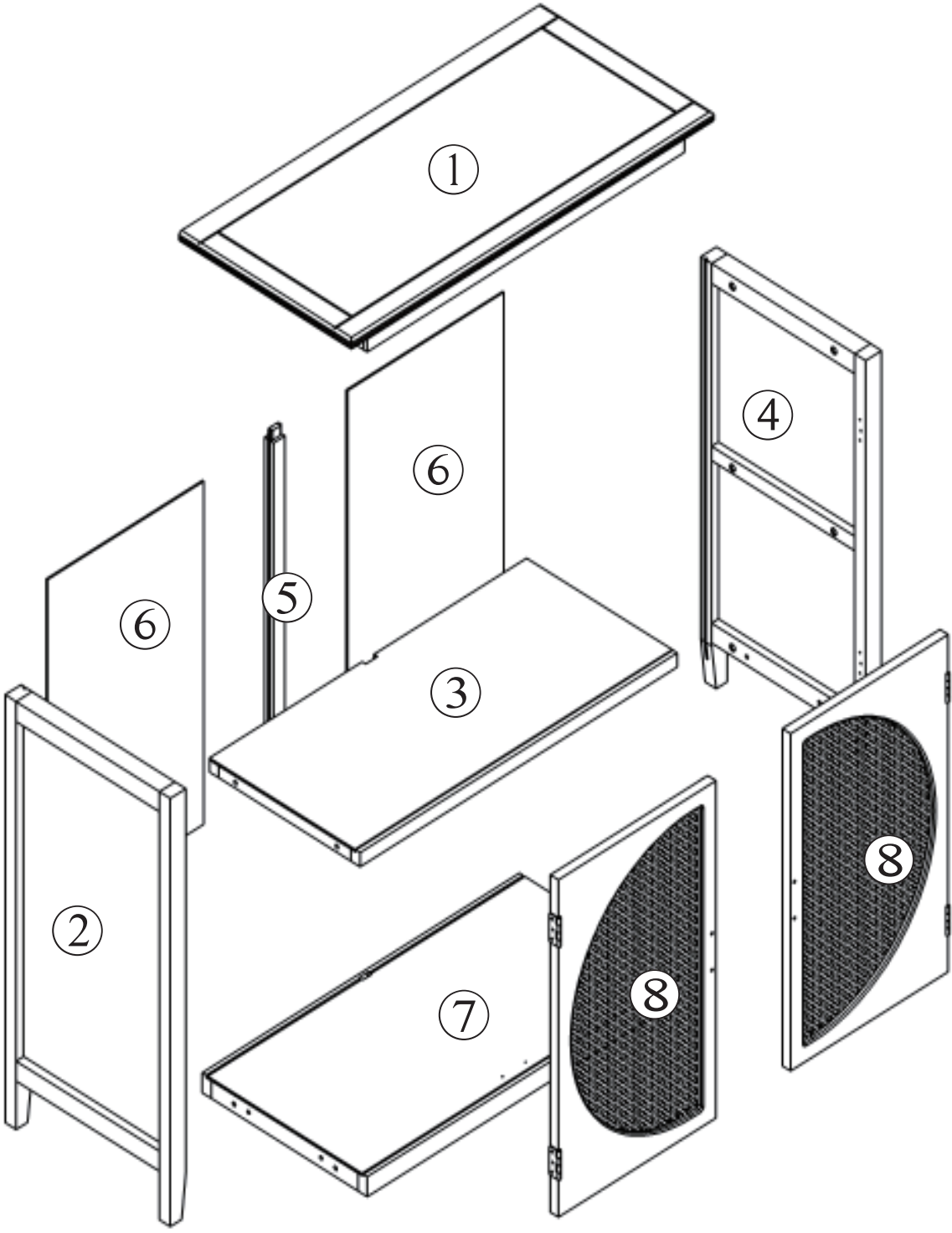
1. Do not tighten bolts / screws completely until all bolts / screws are lined up and inserted into holes.
2. Do not over tighten screws and bolts to avoid stripping.
3. Please use hand tools to assemble this product. Do not use power tools.
4. Must need 2 people to assemble this product.



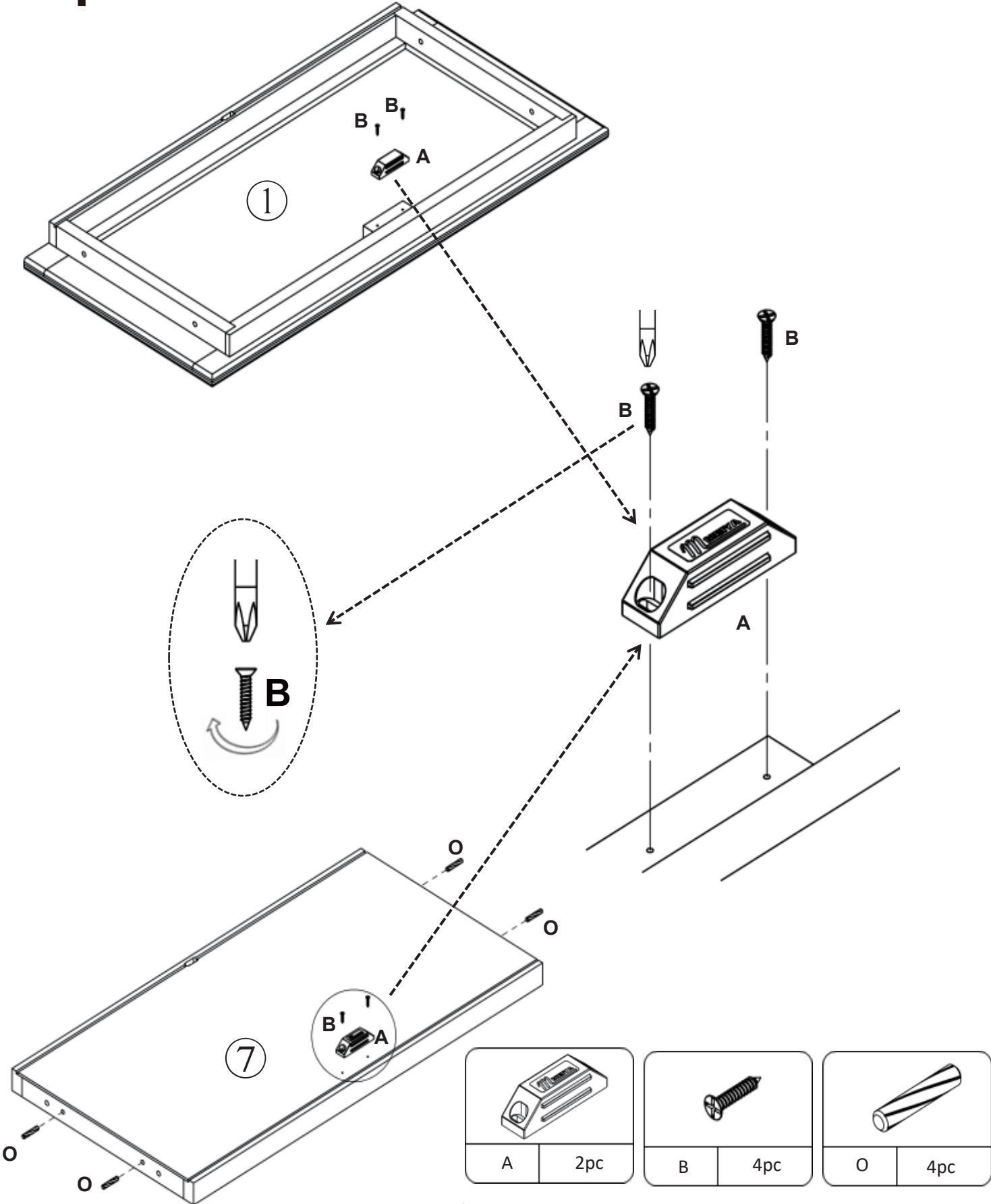
Included Accessories

Code	Description	Qty
1	Cabinet Top	1
2	Left Side Panel	1
3	Shelf	1
4	Right Side Panel	1
5	Back Support Panel	1
6	Back Panel	2
7	Bottom Panel	1
8	Door	2

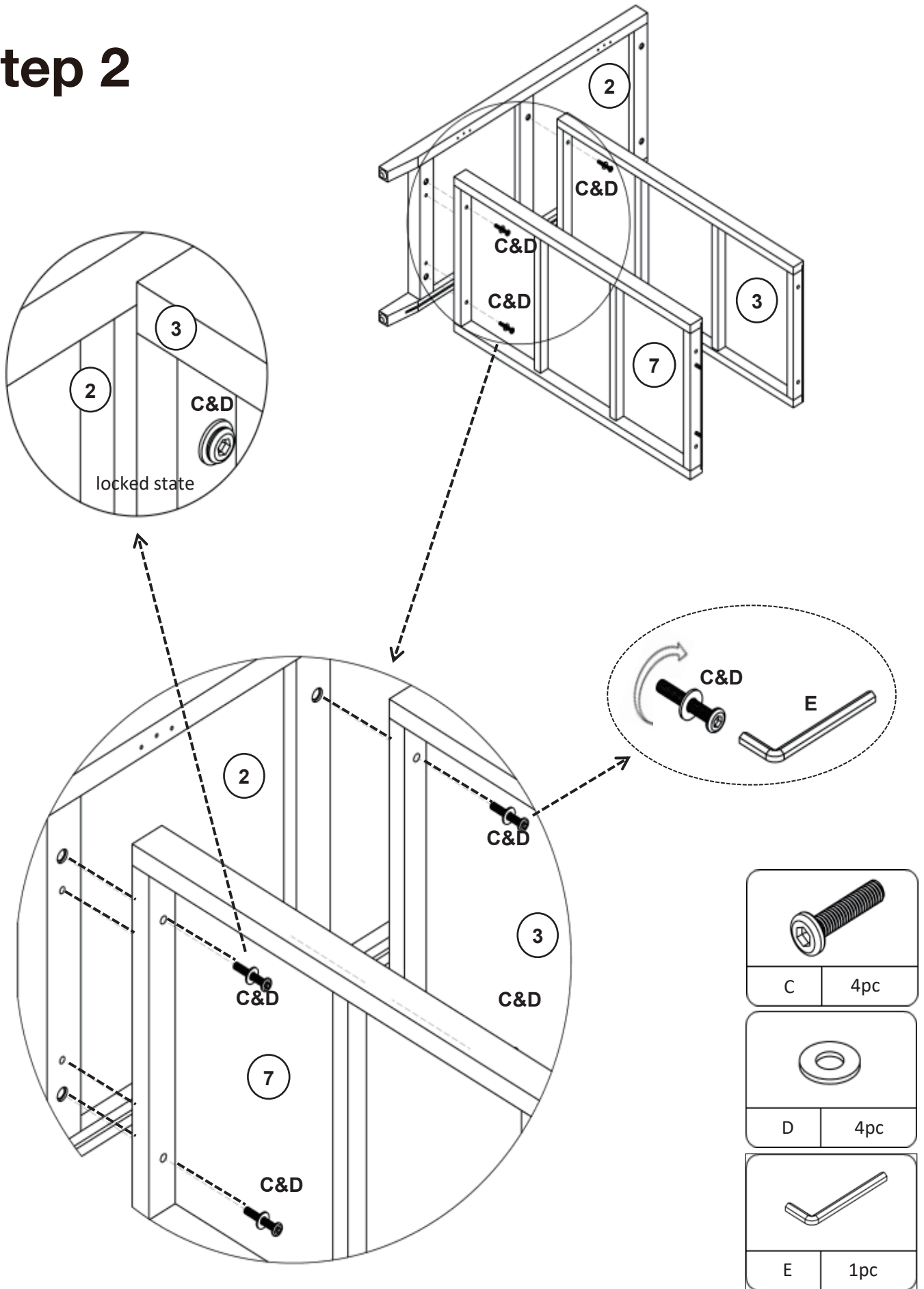
The Accessoriess



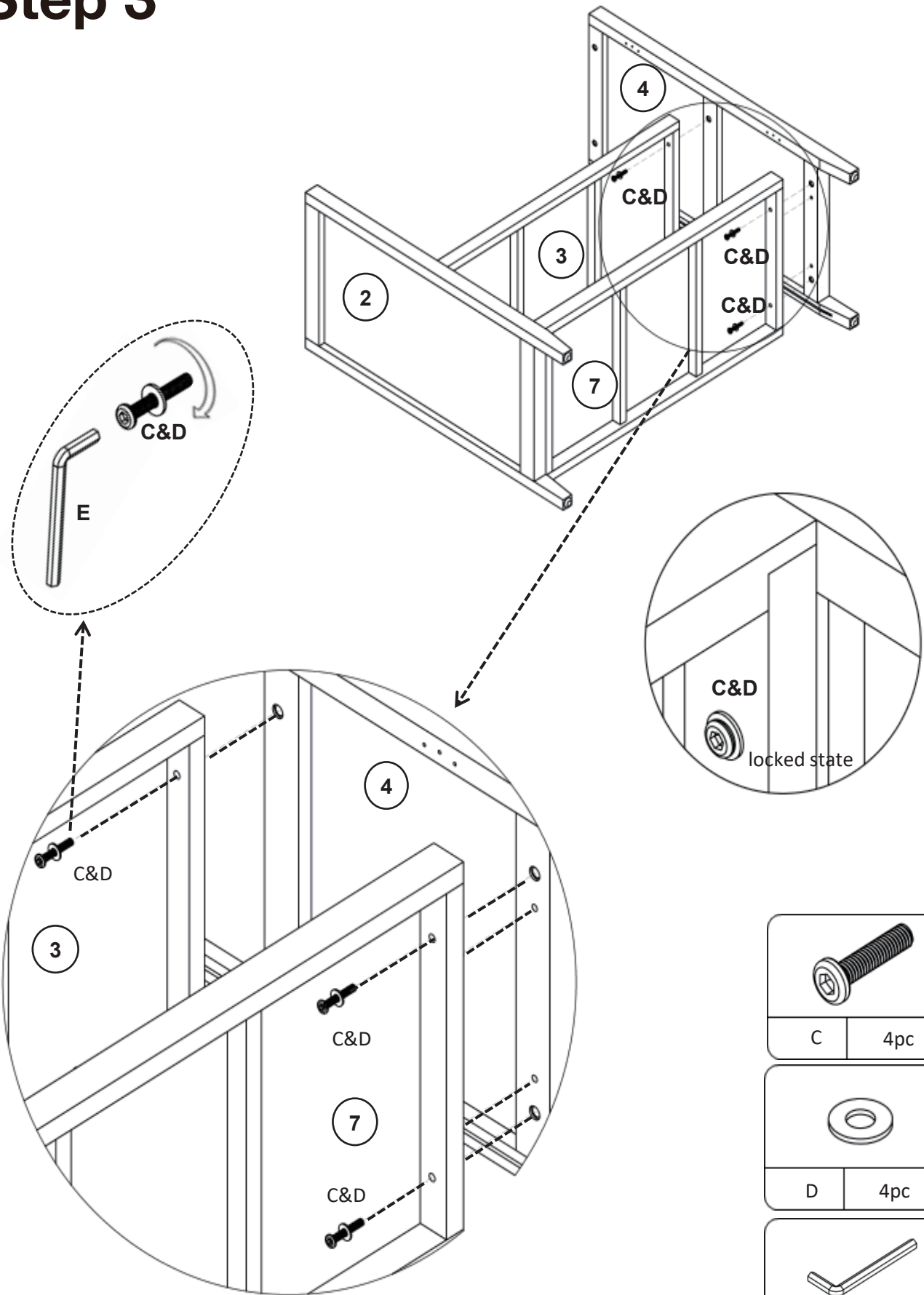
Step 1



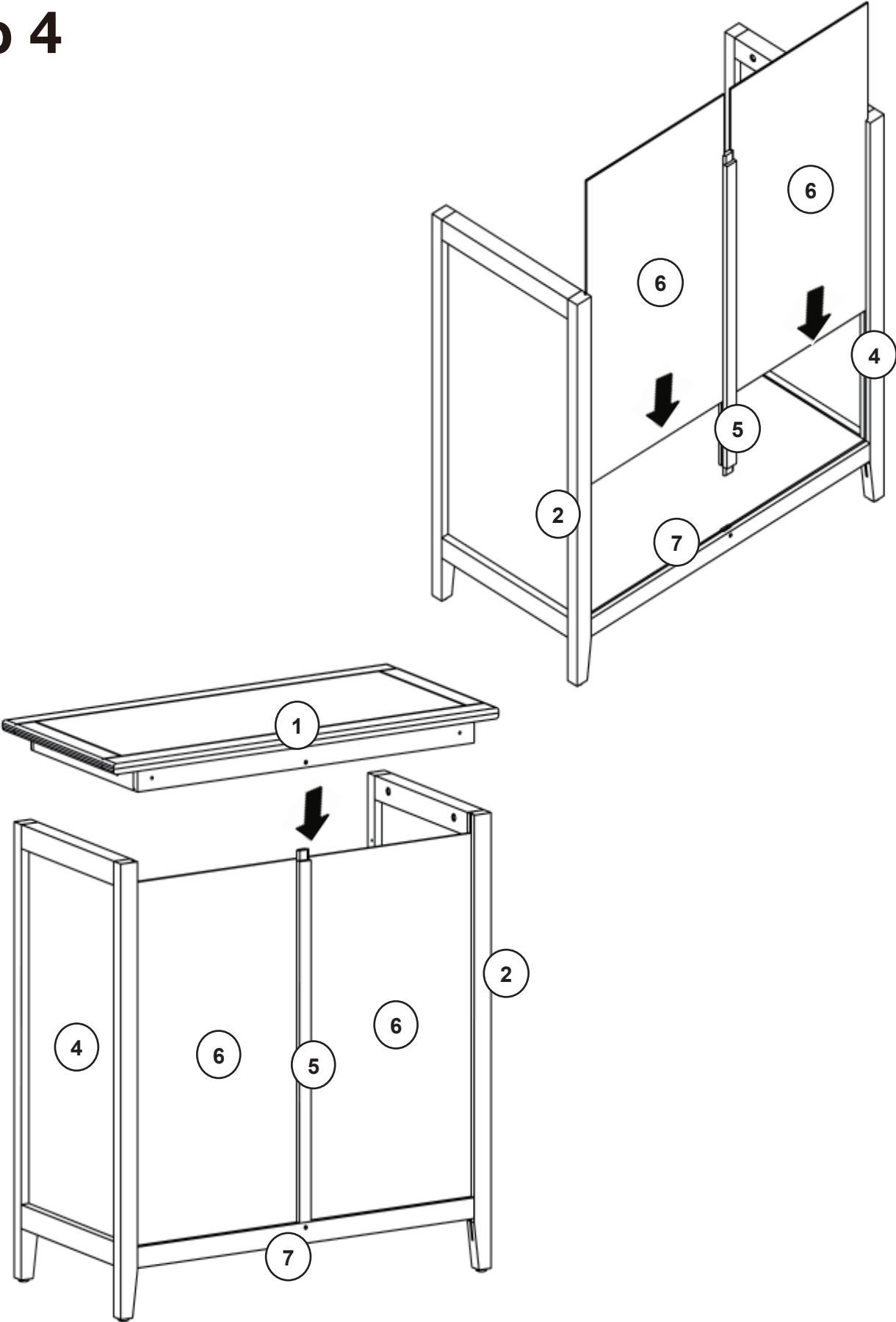
Step 2



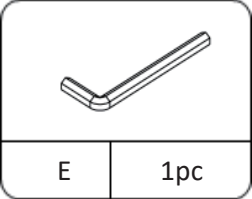
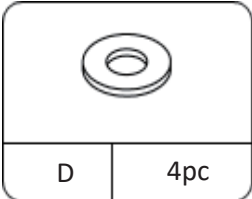
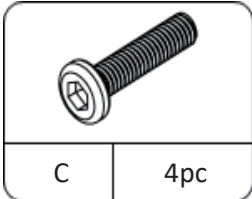
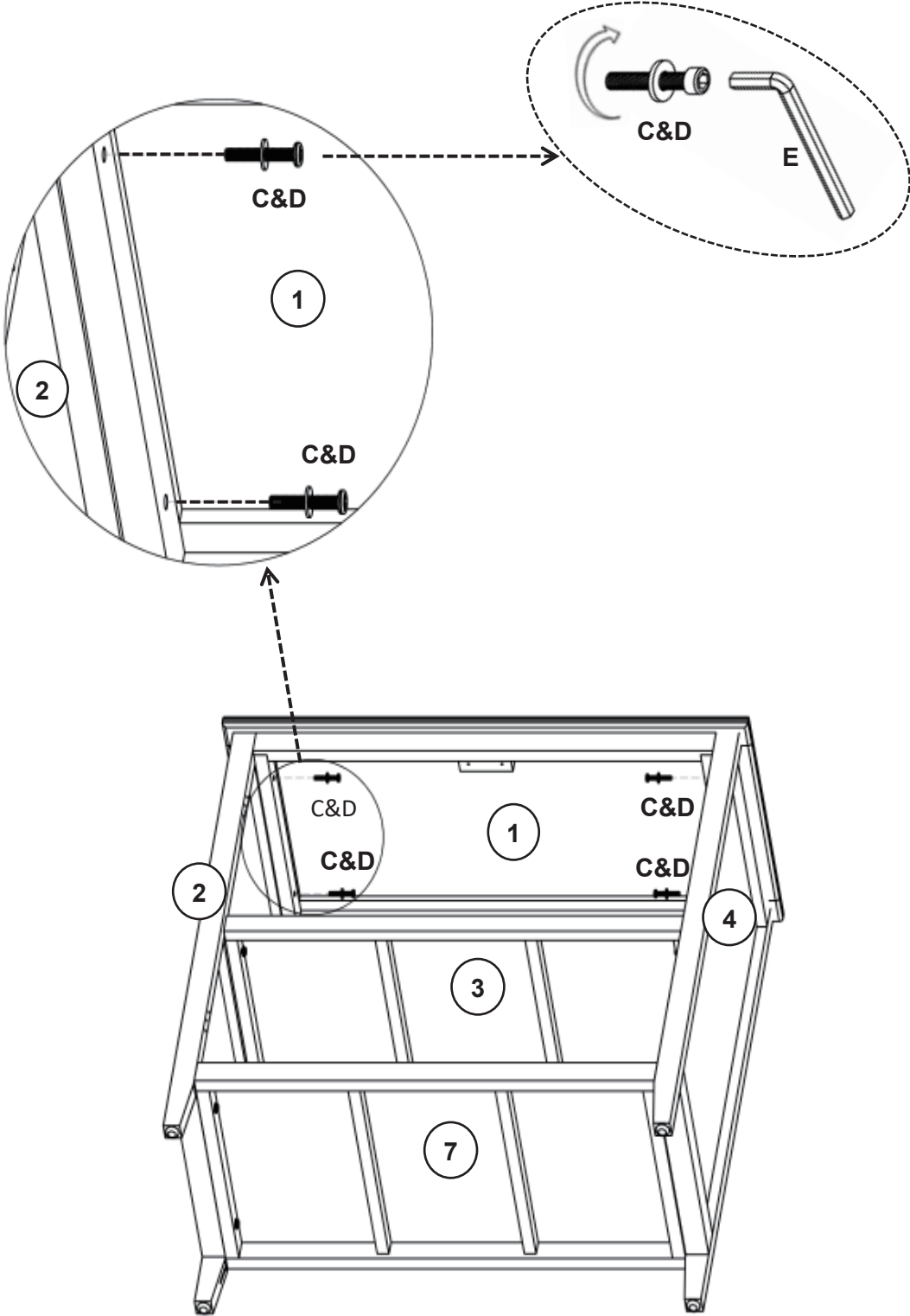
Step 3



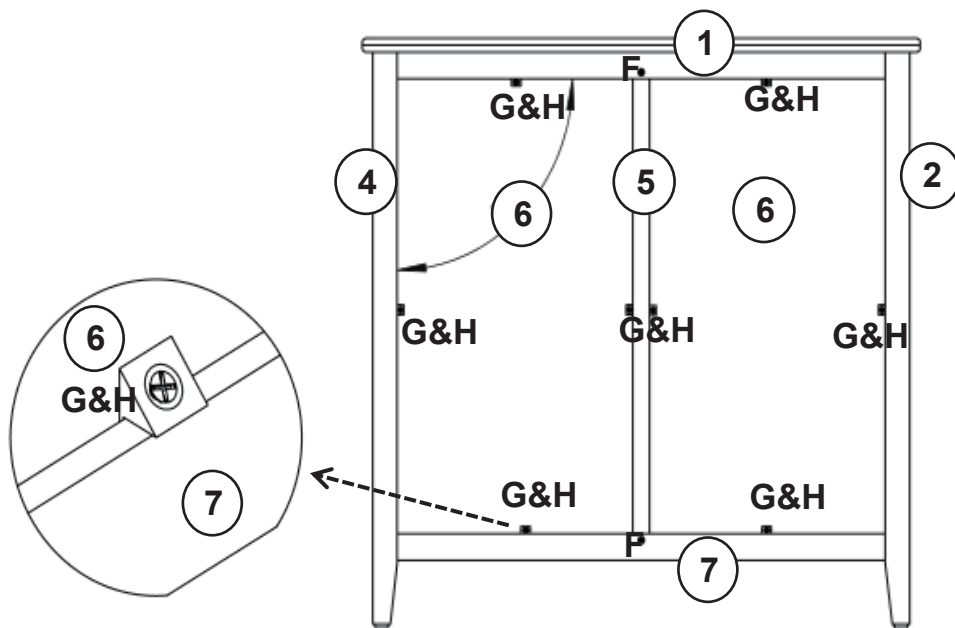
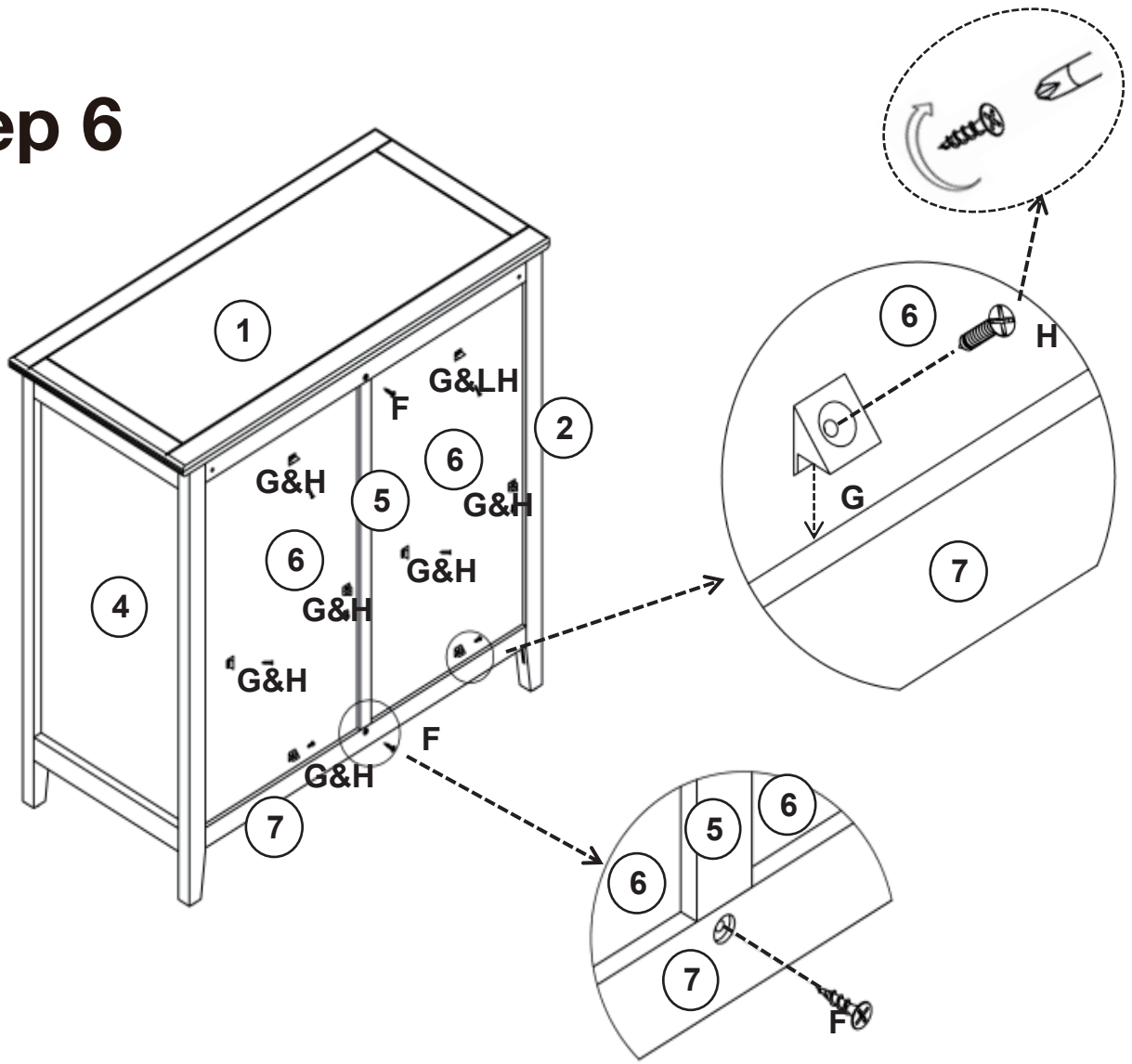
Step 4






Step 5

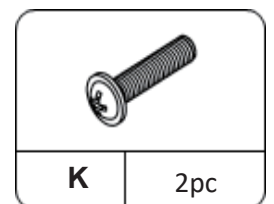
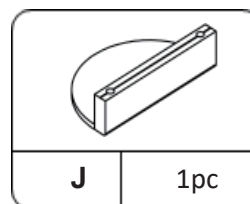
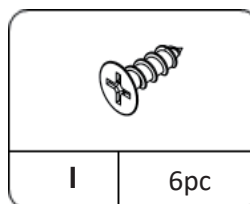
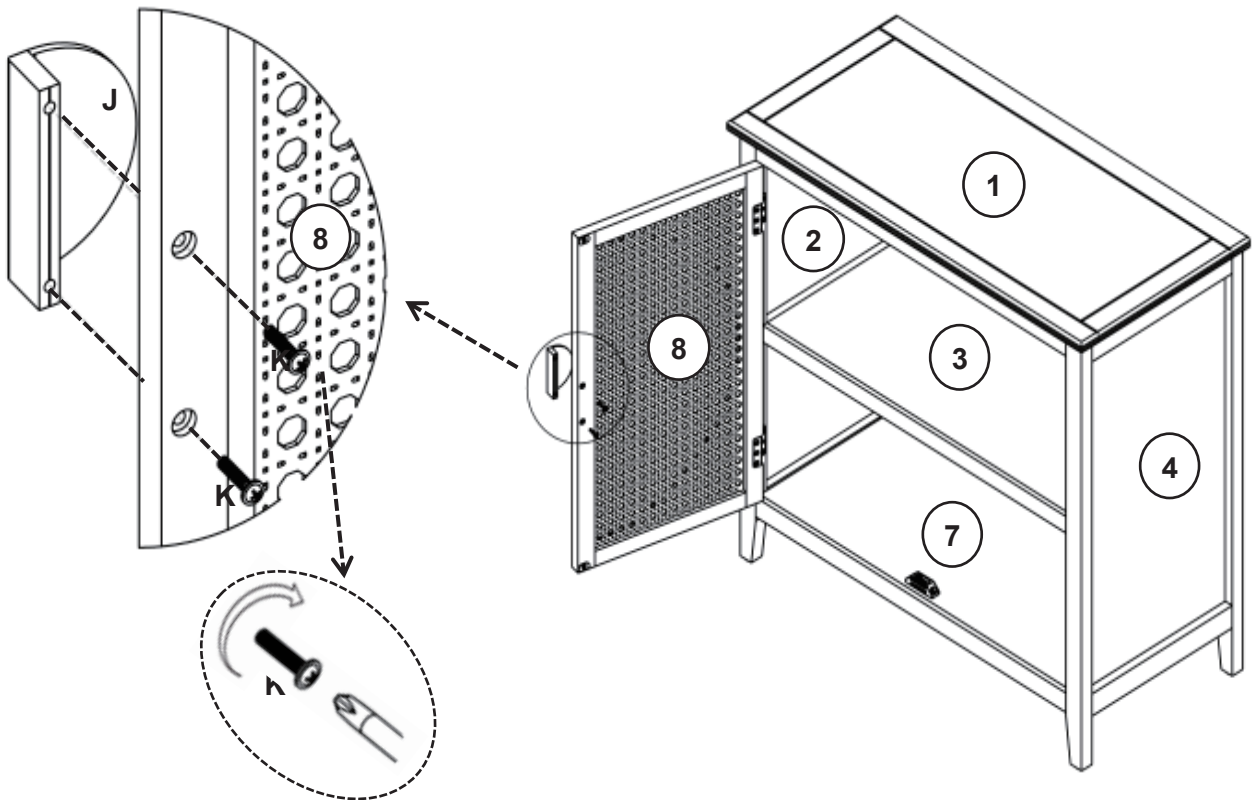
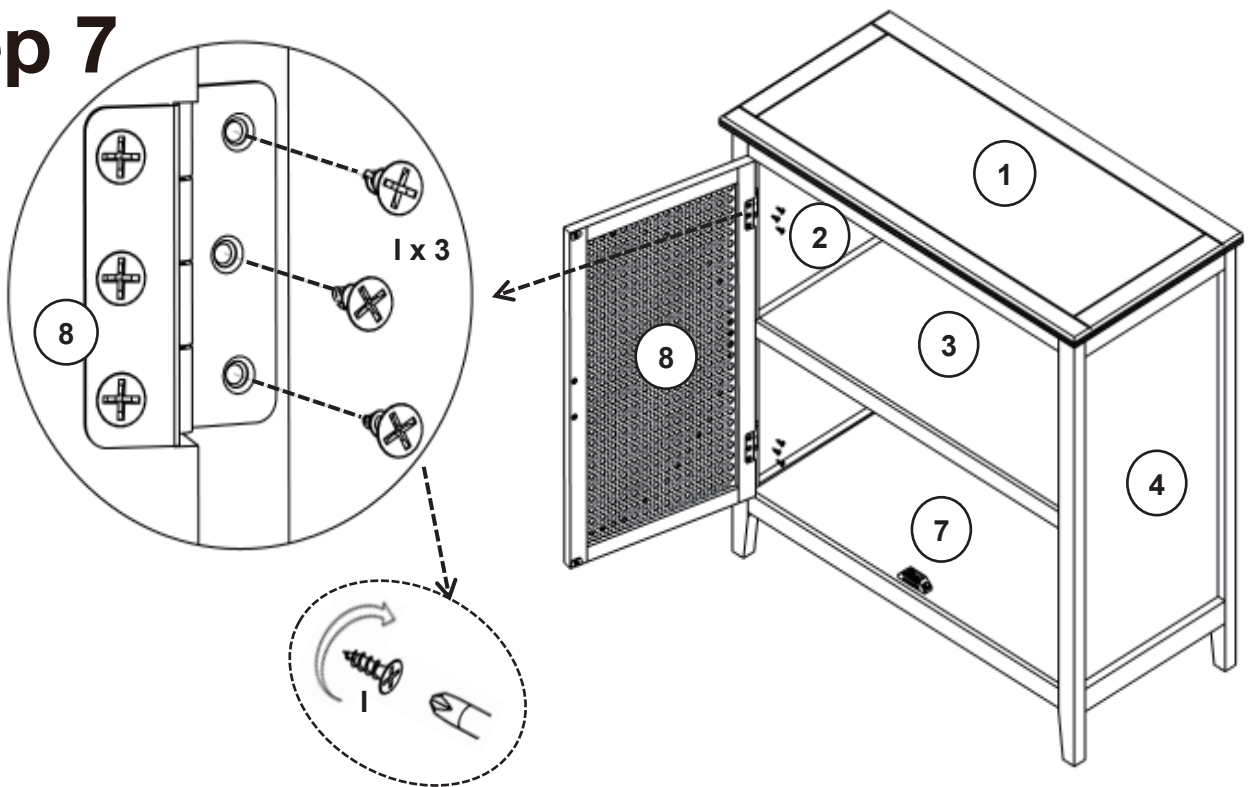


Step 6

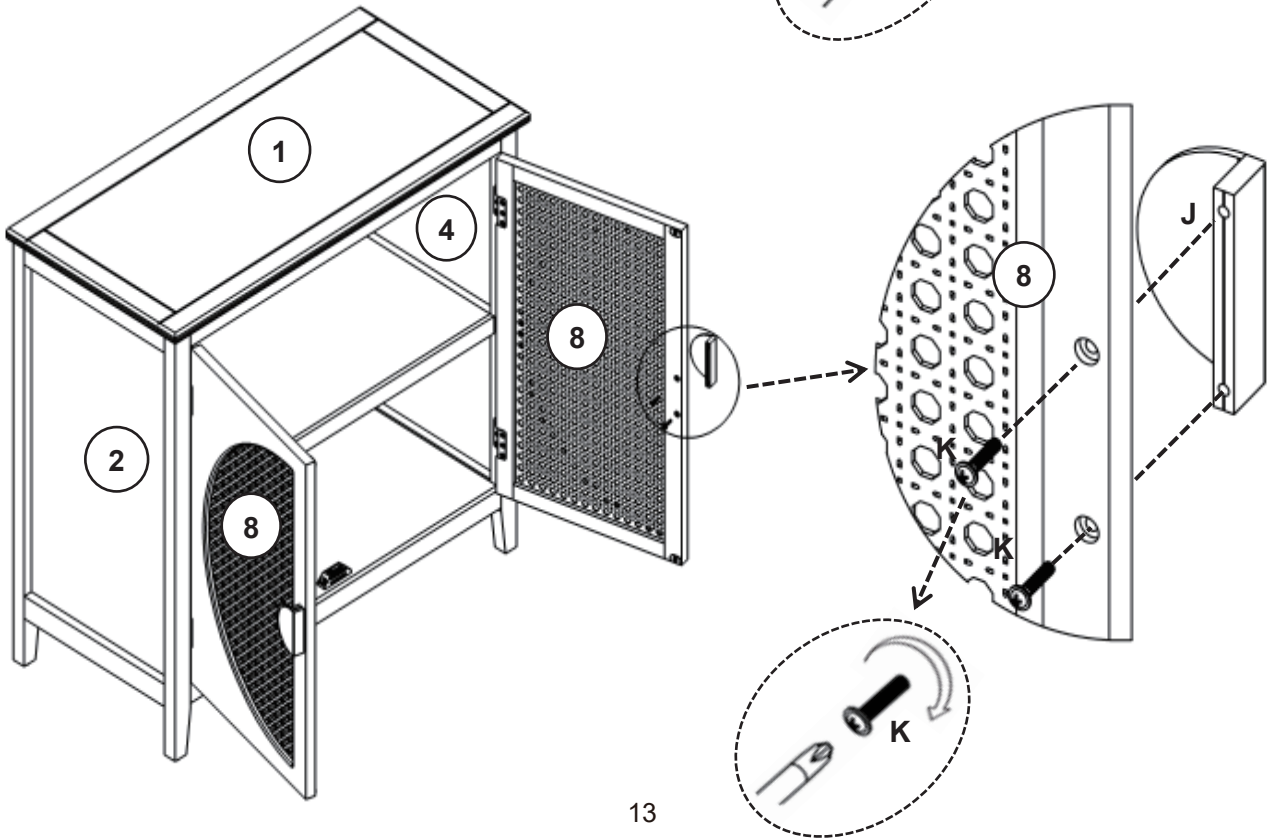
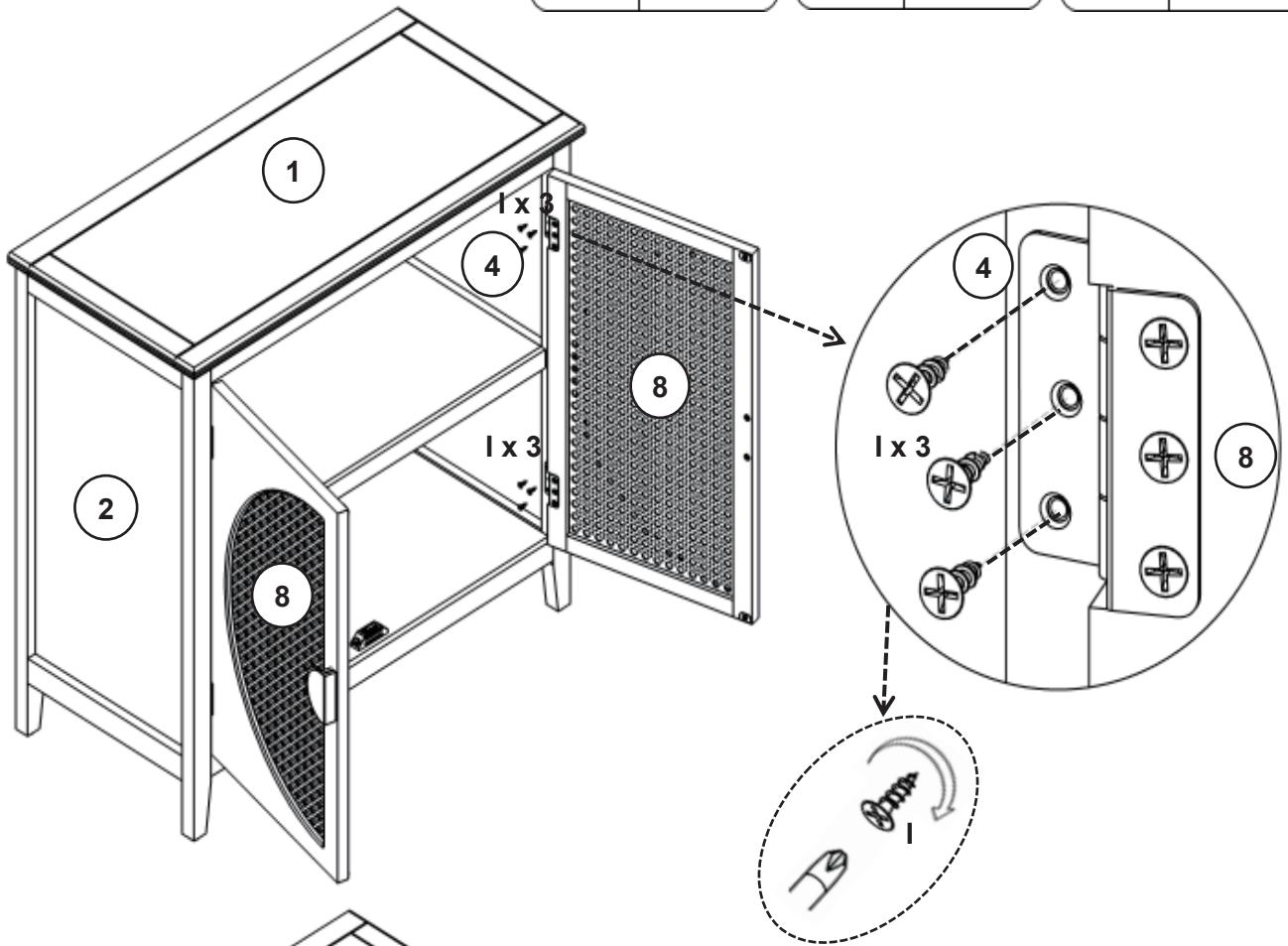
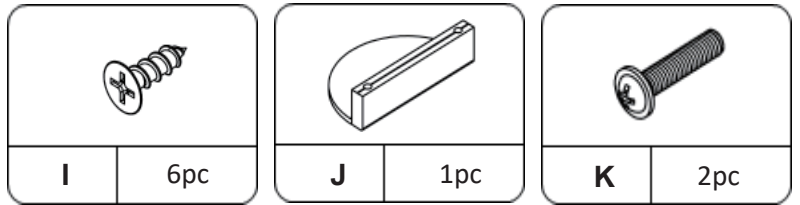


	F	2pc
	G	8pc
	H	8pc

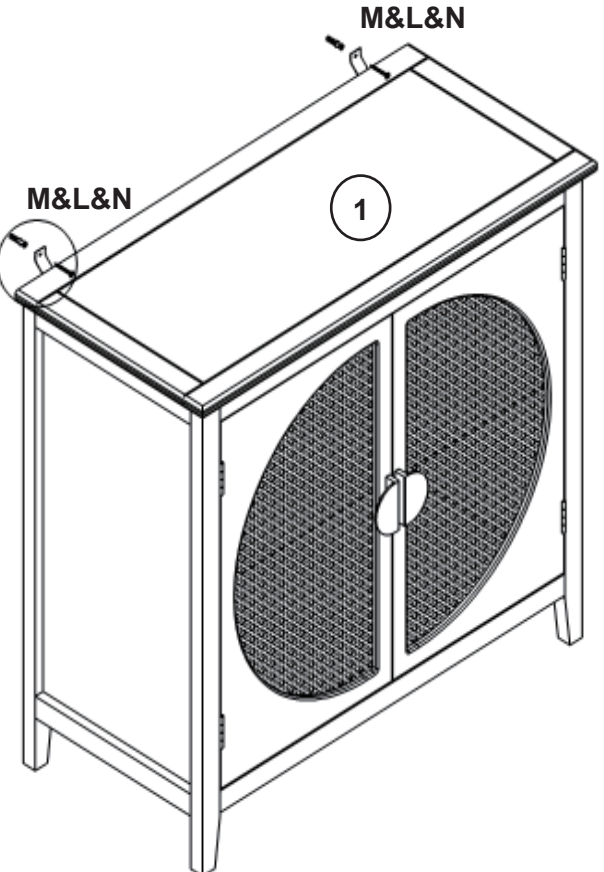
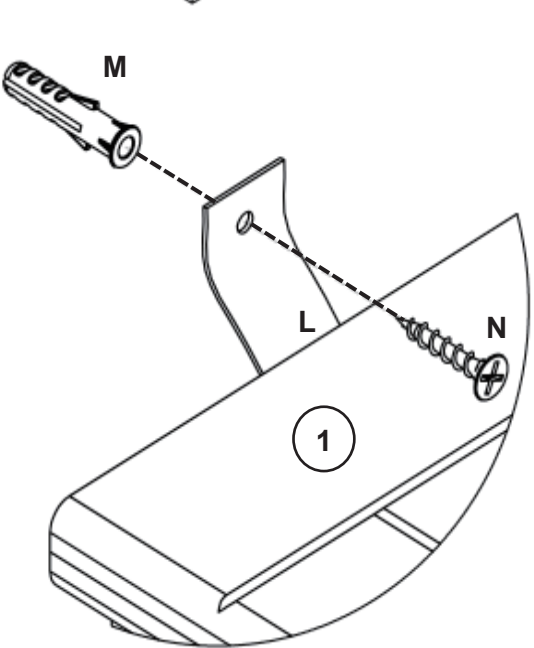
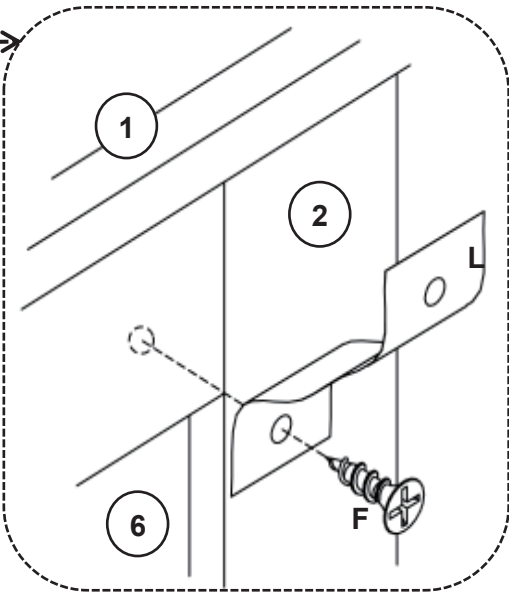
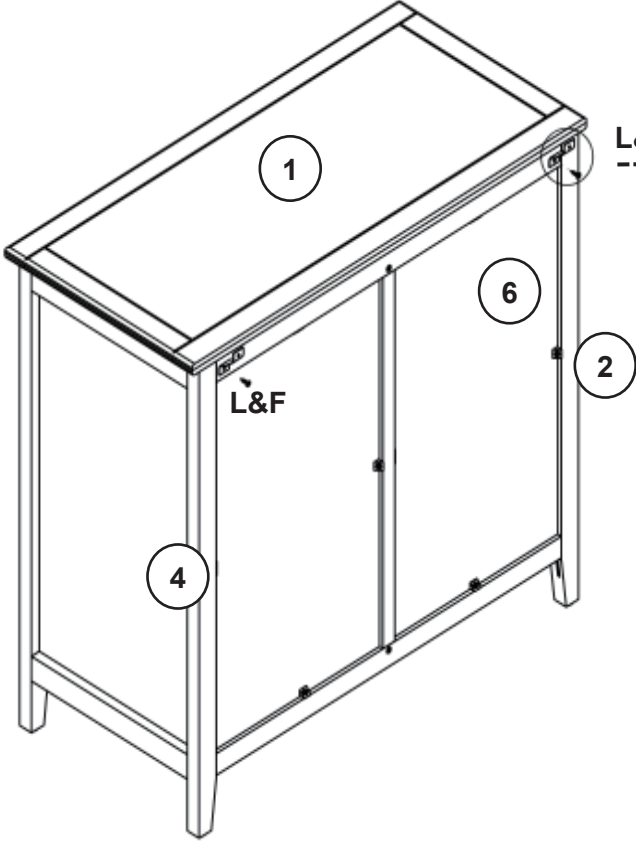
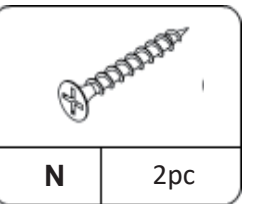
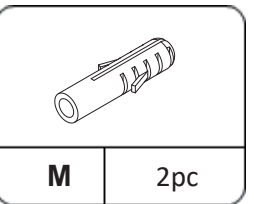
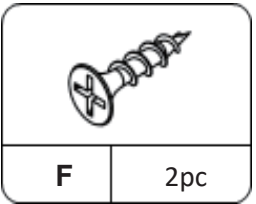
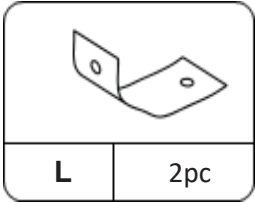
Step 7



Step 8



Step 9



Proper Use

- DO NOT** use for commercial purposes
- DO NOT** use as a step stool or stand on table
- DO NOT** put hot serving liquid directly on the table top
- DO NOT** leave spilled liquid on the table top
- DO NOT** use table if damaged
- DO NOT** exceed weight limit
- DO NOT** make temporary repairs
- DO NOT** use outdoor

Dear Customer:

Thank you for purchasing our product, we wish you satisfy our service, if you have any further questions or any quality issues, please show the belows number and don't hesitate to contact our Customer Service People. :

W688202305