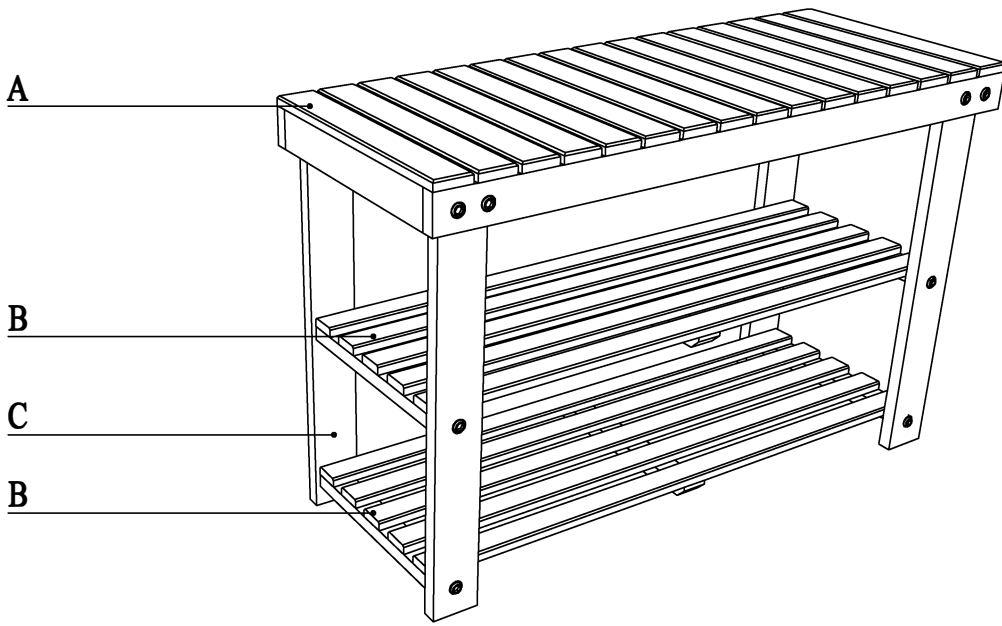
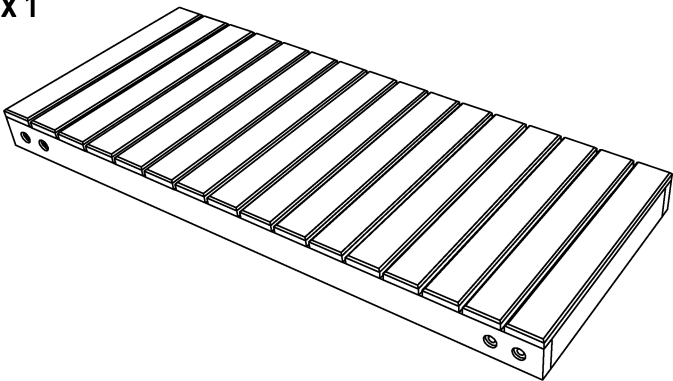


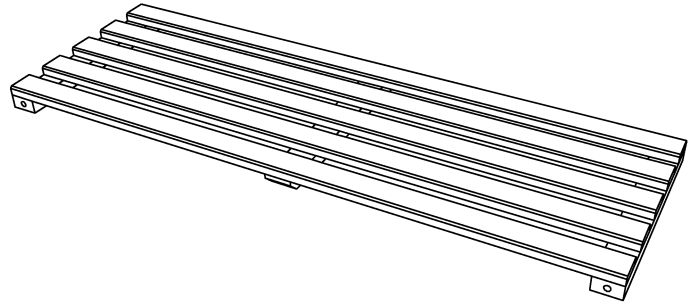
I - PARTS AND HARDWARE



A x 1



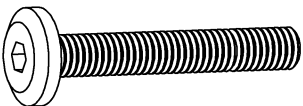
B x 2



C x 4

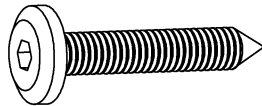


D x 8



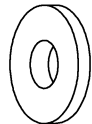
Bolt M6x40

E x 8



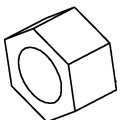
Bolt M6x35

F x 8



washer M6-D16x0.8

G x 8



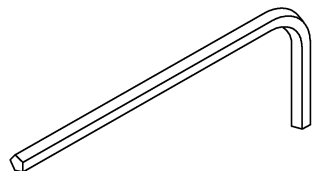
ECU M6

H x 1



CLE 10

I x 1

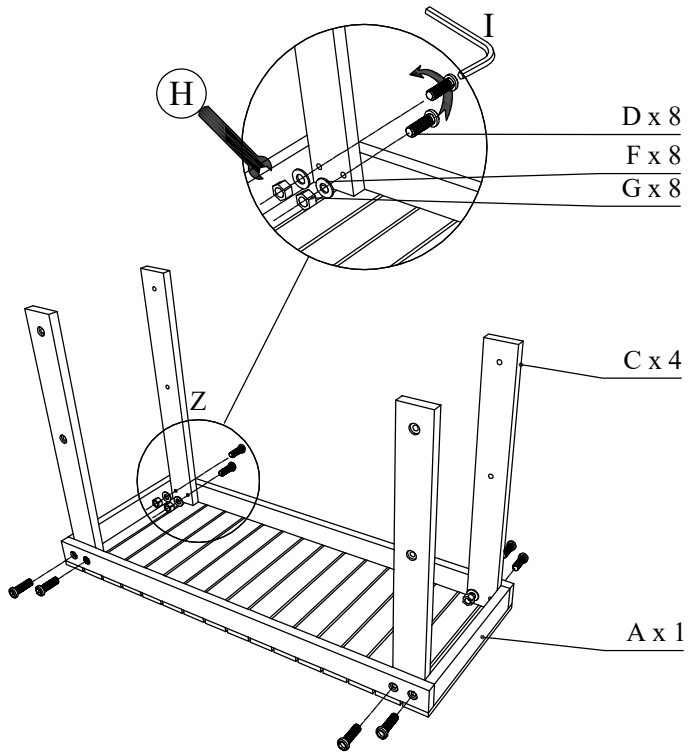
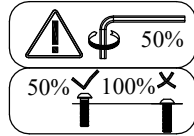


Allen Key 4

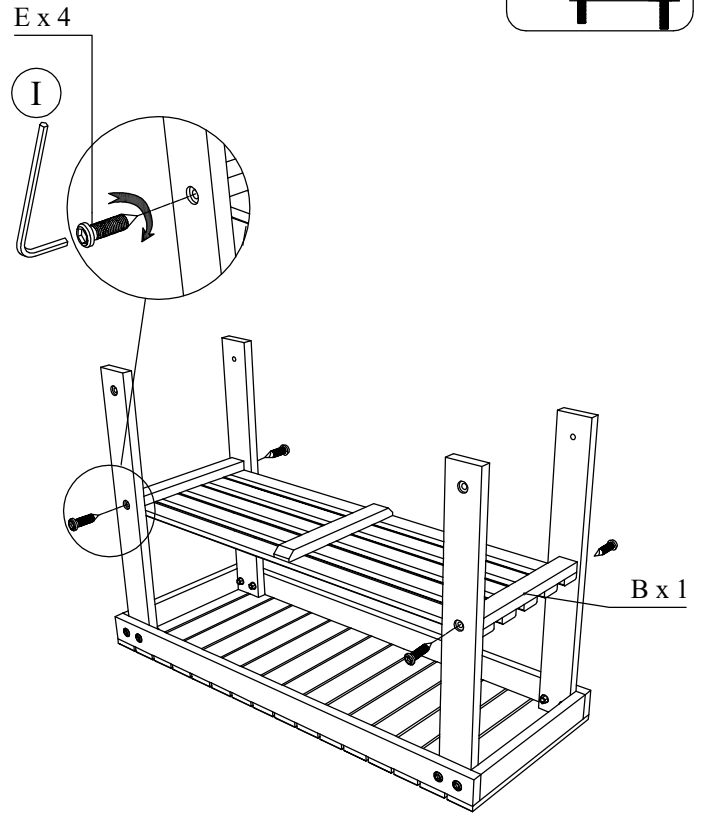
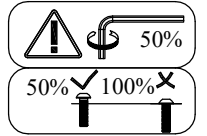
II - PRODUCT ASSEMBLY:

"DO NOT tighten the screws until all of parts set into correct position"

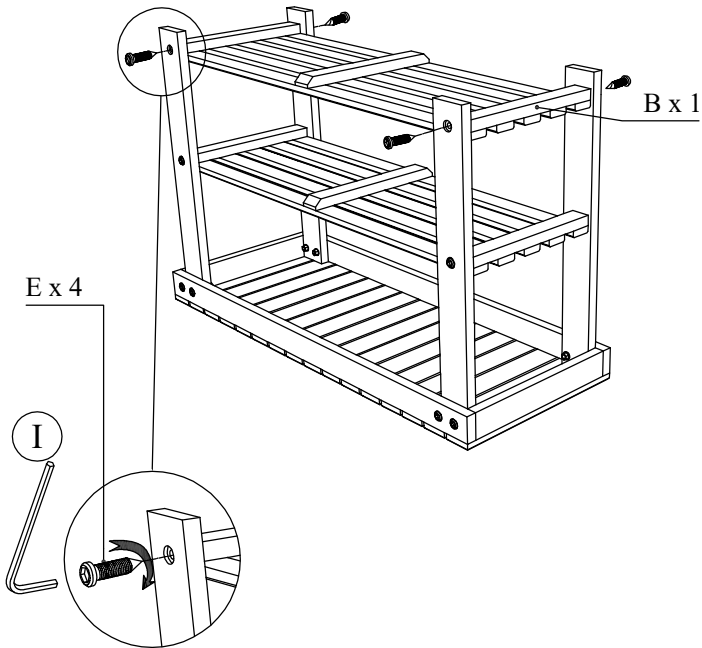
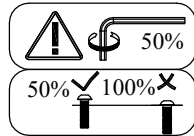
STEP 1:



STEP 2:



STEP 3:



STEP 4:

FINISH/COMPLETE

