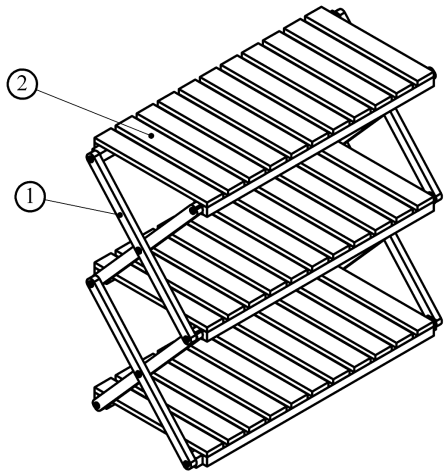






# ASSEMBLY INSTRUCTION

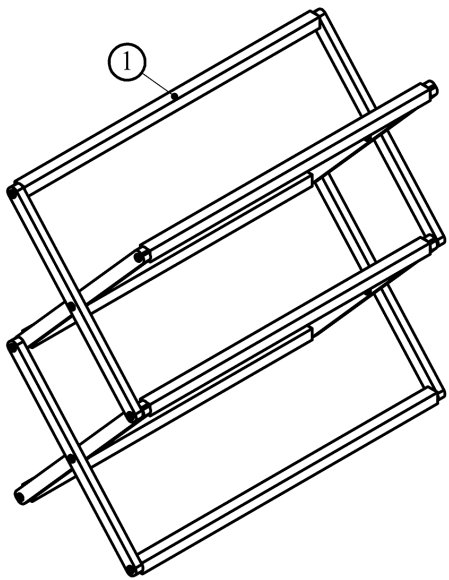
## PARTS AND HARDWARE LIST



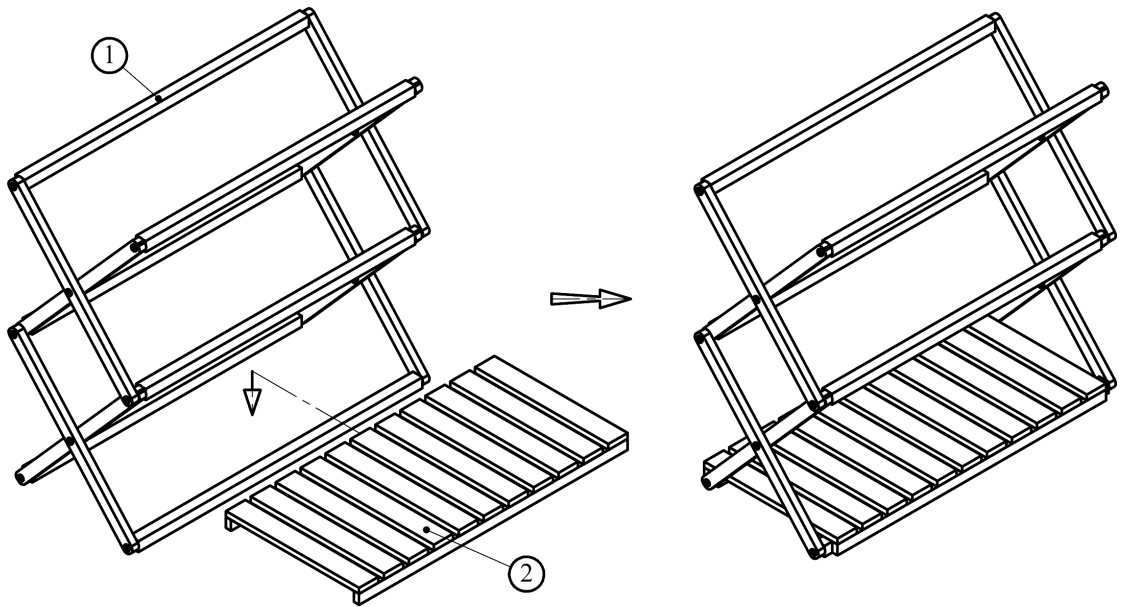
NO	DESCRIPTION	QTY	IMAGES
1	FRAME	1	
2	TIER	3	
A	BOLT M6x30	4	
B	SCREW M6x60	4	
C	SCREW M6x40	8	
D	ALLEN KEY K4	1	

**\*DO NOT** tighten the screws, bolts until all of parts set into correct position!

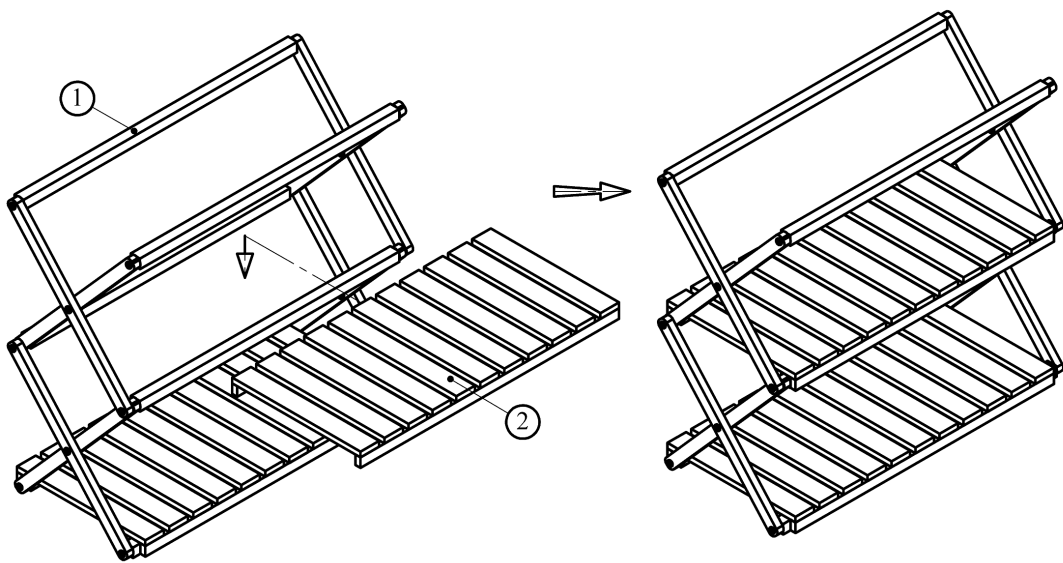
### STEP 1: Pulling the frame



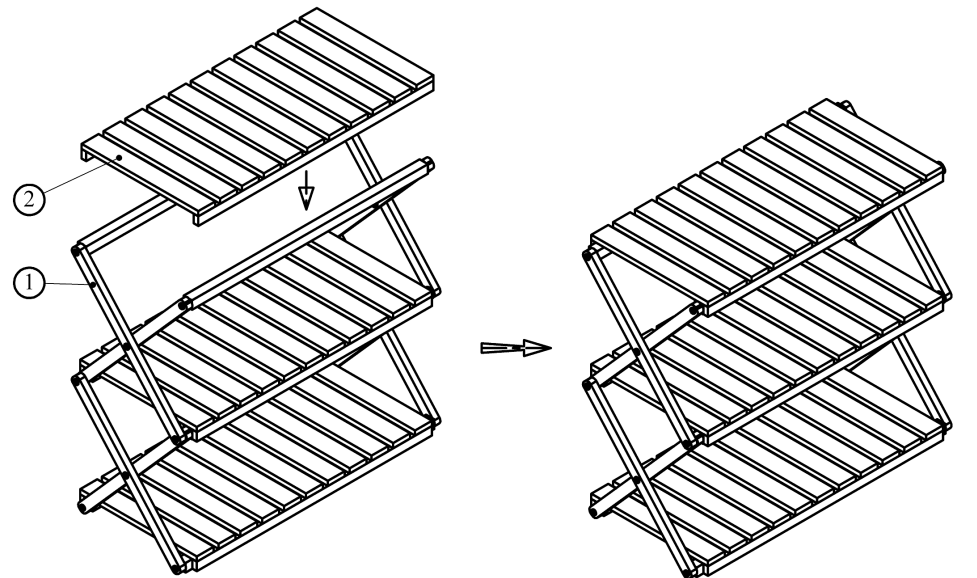
### STEP 2: Assemble bottom tier (2) into frame (1)



### STEP 3: Assemble mid tier (2) into frame (1)



### STEP 4: Assemble top tier (2) into frame (1)



### STEP 5: Tighten Bolts (A) and Screws (B)(C) with Allen Key K4 (D)

**ASSEMBLY IS COMPLETE!**

