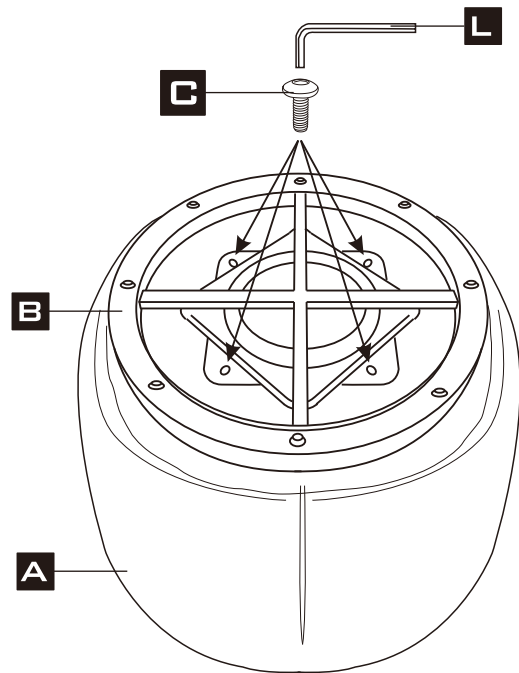
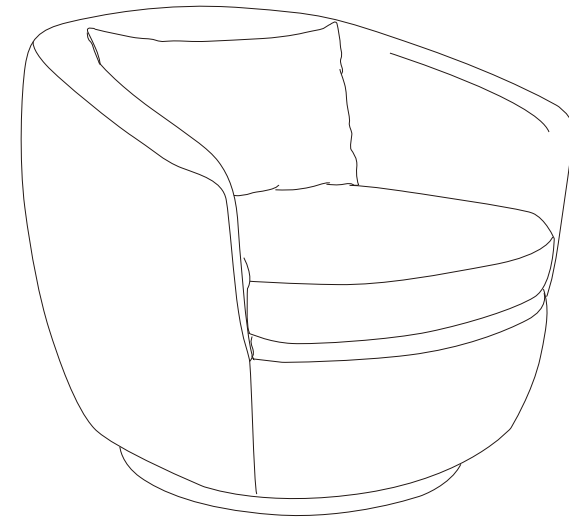


ASSEMBLY INSTRUCTION

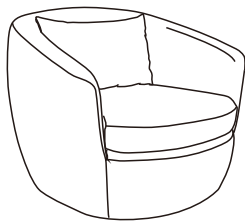
①



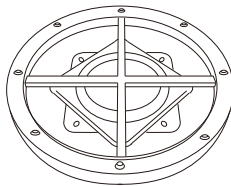
②



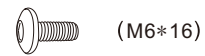
A x1 PC



B x1 PCS



C x4 PCS



L x1 PC

