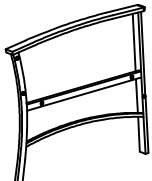
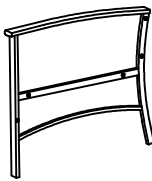
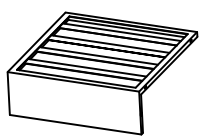
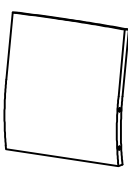
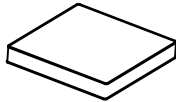
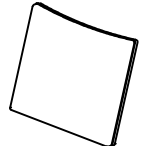


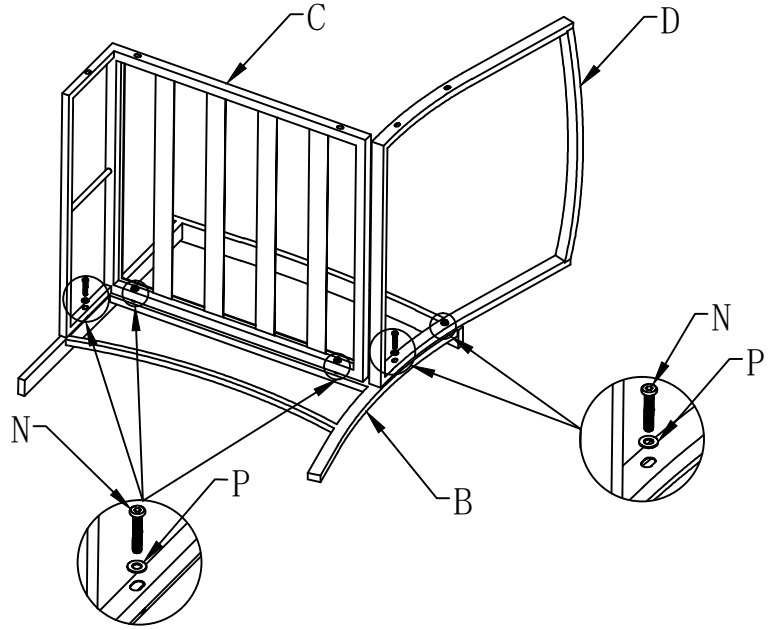
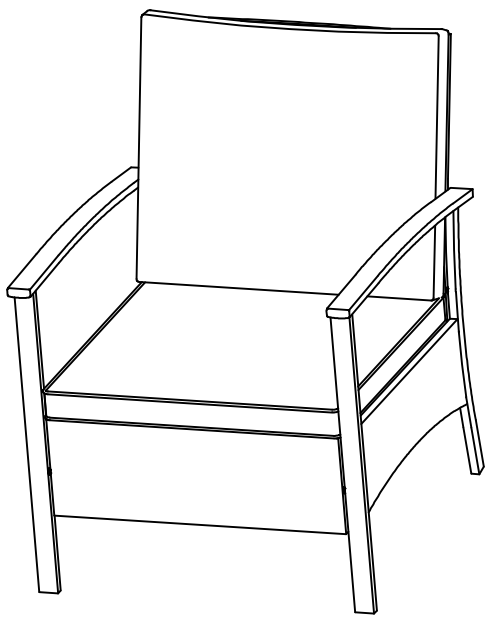
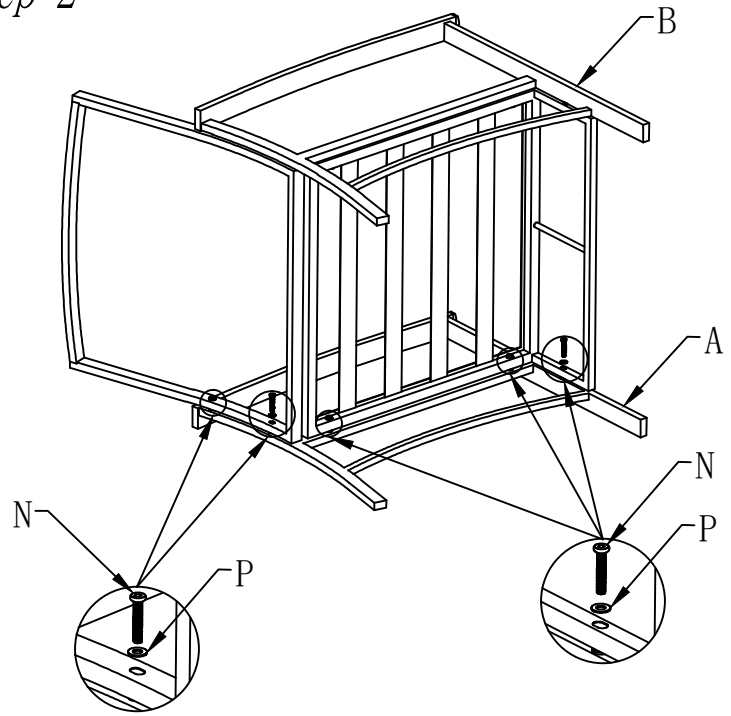


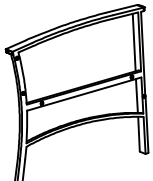
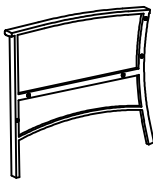
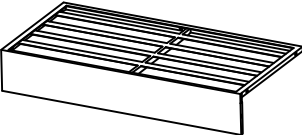
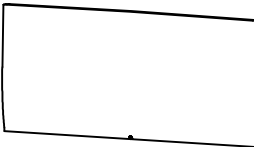
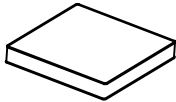
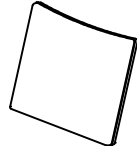



A		1
B		1
C		1
D		1
E		1
F		1
N	 M6*30	10
P		10

Step 1

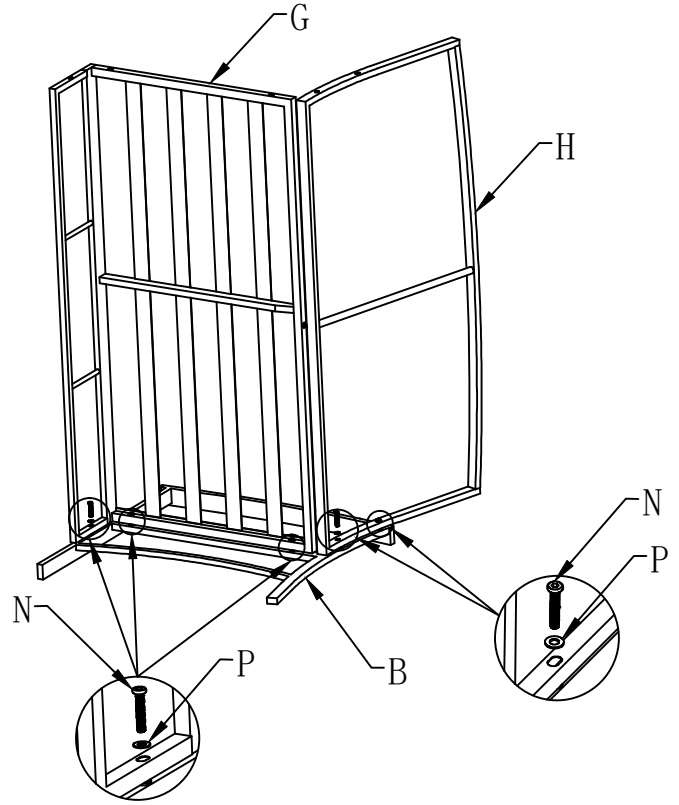


Step 2

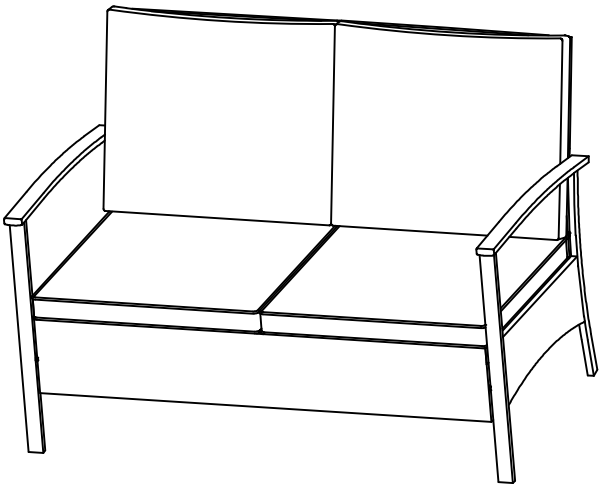
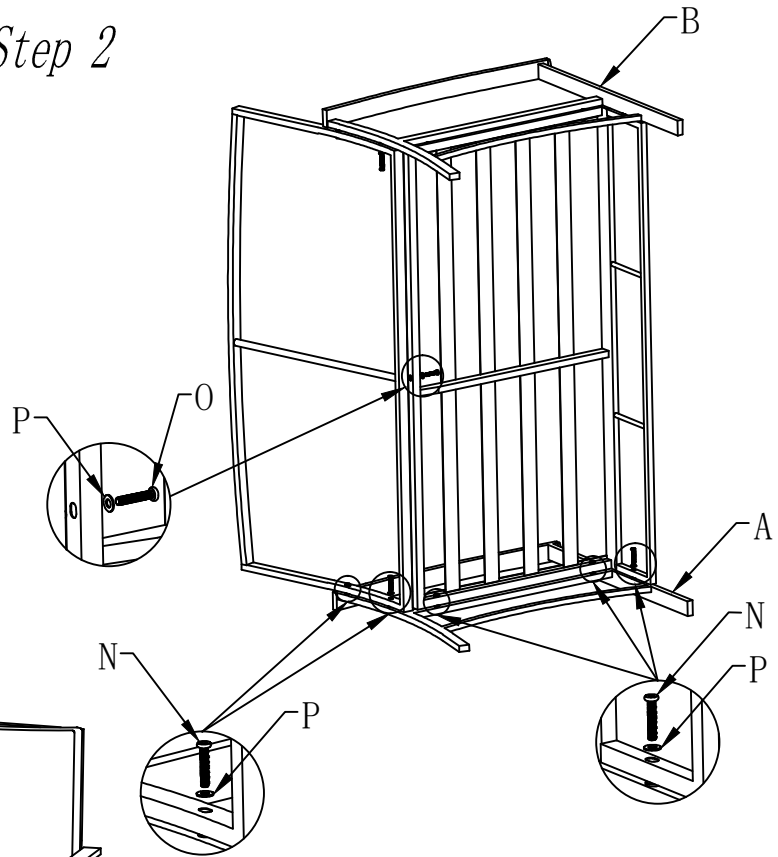


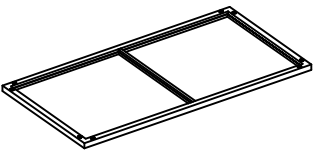
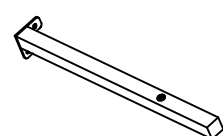
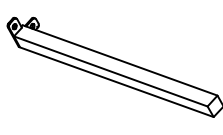
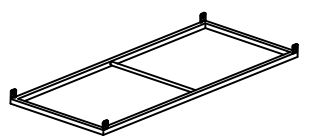



A		1
B		1
G		1
H		1
E		2
F		2
N	 M6*30	10
O	 M6*40	1
P		11

Step 1

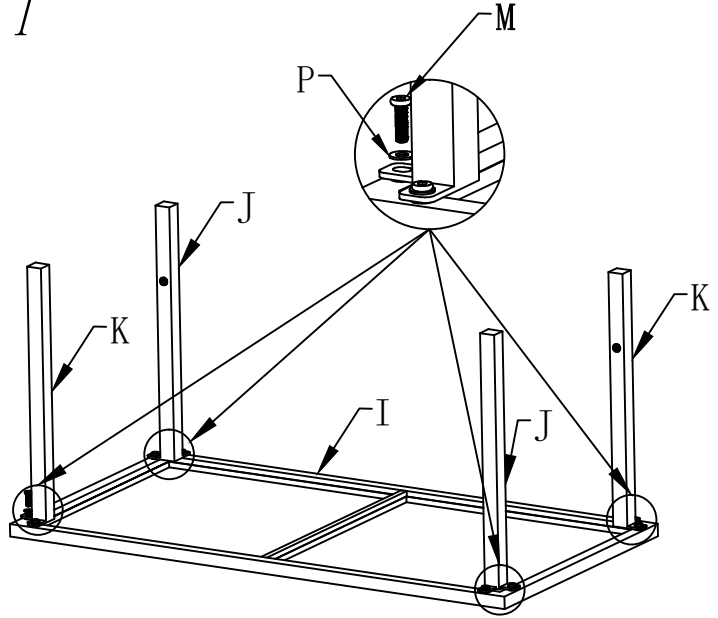


Step 2



I		1
J		2
K		2
L		1
M	 M6*15	12
P		12
Q		1

Step 1



Step 2

