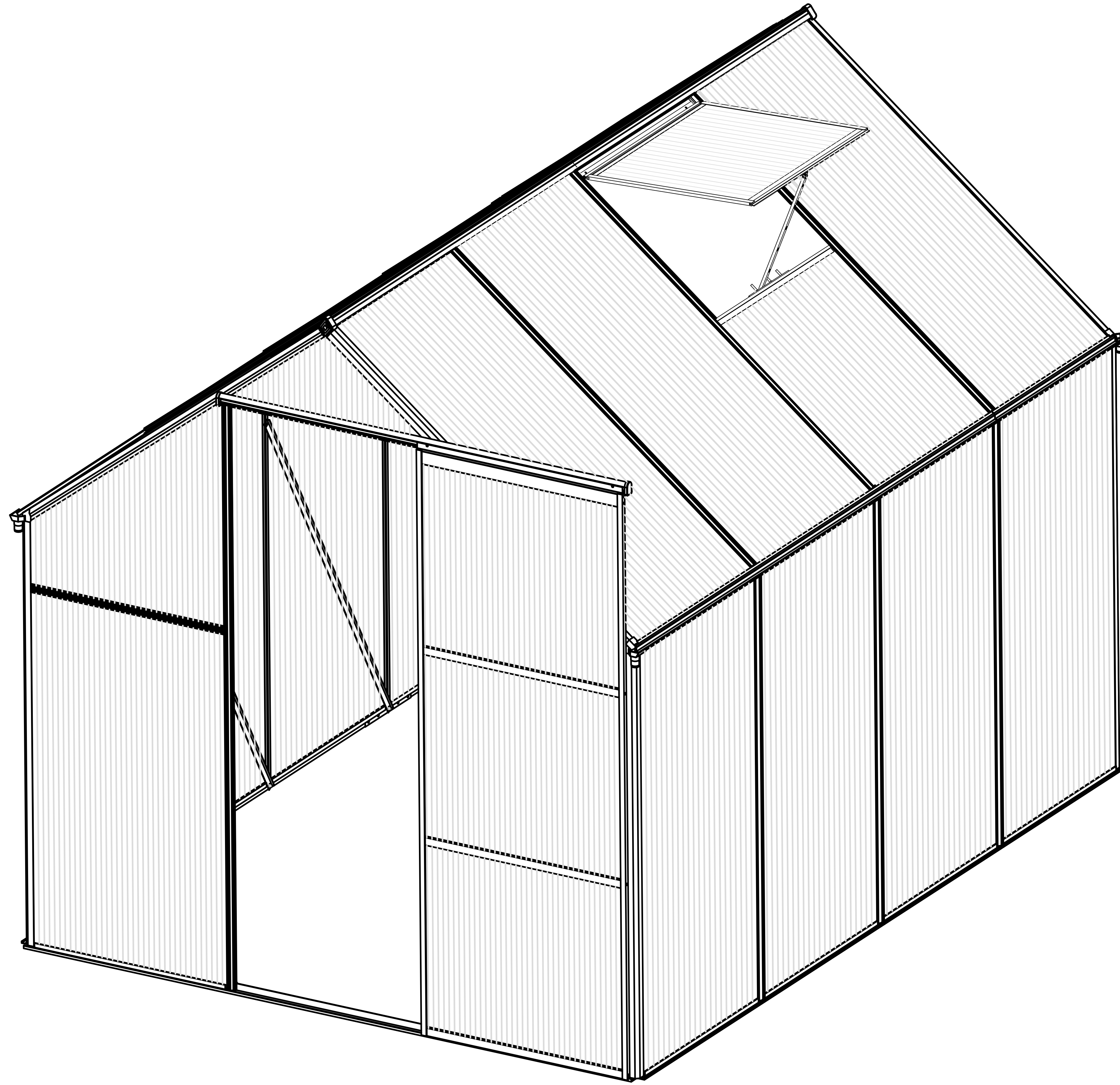


Greenhouse

Assembly Instructions



Size: 252Lx190Wx193H cm

W540S00004

IMPORTANT

You must read these instructions carefully before you start to assemble this greenhouse.

Please ensure that you find all parts in the carton box in the correct type and quantity as mentioned in the list illustrated in every page accordingly.

Please carry out the steps in the order set out in these instructions.

Do not tighten the steps in the greenhouse until completing on the assembly of the polycarbonate panels.

Keep these instructions in a safe place for future reference.

SAFETY ADVICE

We strongly recommend the use of work gloves during assembly.
Do not attempt to assemble the greenhouse in windy or wet conditions,
Do not touch overhead power cables with the aluminum profiles.
Always wear shoes and safety goggles when working with extruded aluminum.
Dispose of all plastic bags safety-keep them out of reach of small children.
The greenhouse must be positioned and fixed on a flat level surface.
Do not lean against or push the greenhouse during construction.
Keep children away from the assemble area.
Do not position your greenhouse in an area exposed to excessive wind.
Do not attempt to assemble this greenhouse if you are tired ,have taken drugs or alcohol or if you are prone to dizzy spells.
If using a step ladder or power tools ensure that you follow the manufactures safety advice.
Hot items such as recently used grills, blowtorches etc.must not be stores in the greenhouse.
Ensure there are no hidden pipes or cables in the ground before inserting the pegs.

GENERAL ADVICE

This is a multi-part assembly, Allow at least 300 minutes for assembly.
Selecting a site-choose a sunny level position away from overhanging trees.
If you are fixing your greenhouse directly to a solid concrete foundation use the pre drilled holes in the metal base supplied.
The component parts should be checked and laid out close at hand.
Keep all small parts(screws etc)in a bowl so they do not get lost.
Note that the door is hinged on the right hand side and therefore opens tothe right.
Keep roof clear of snow and leaves.

CARE & MAINTENANCE

When your greenhouse needs cleaning, use a mild detergent solution and risen with cols clean water.
Do NOT use acetone, abrasive cleaners or other special detergents to clean the clear panels.

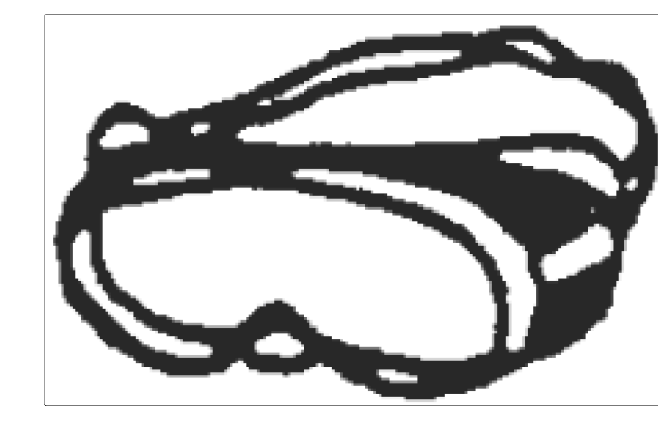
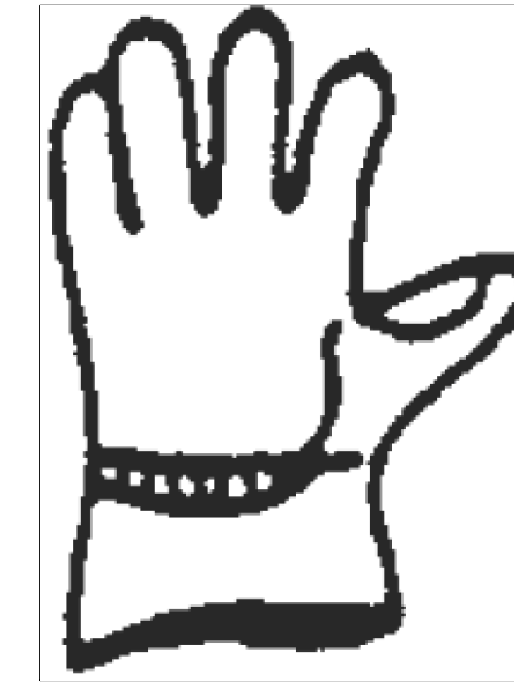
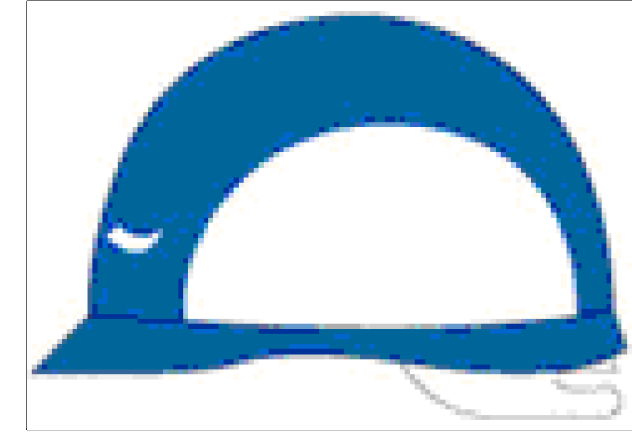
TOOLS & EQUIPMENT REQUIRED

Silicone sealant & applicator bradawl phillips screwdriver step ladder.
Tape measure large hammer scissors
Work gloves Drill spirit level Lubricant see over for cantents plastic or rubber mallet 0.08" metal drill bit
If help is required seek professional advise within store.

TOOLS & EQUIPMENT REQUIRED

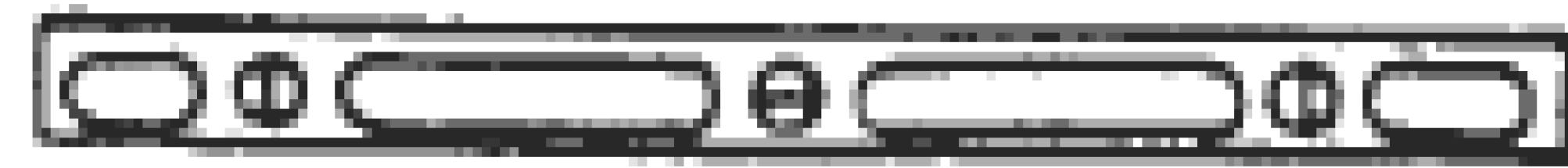
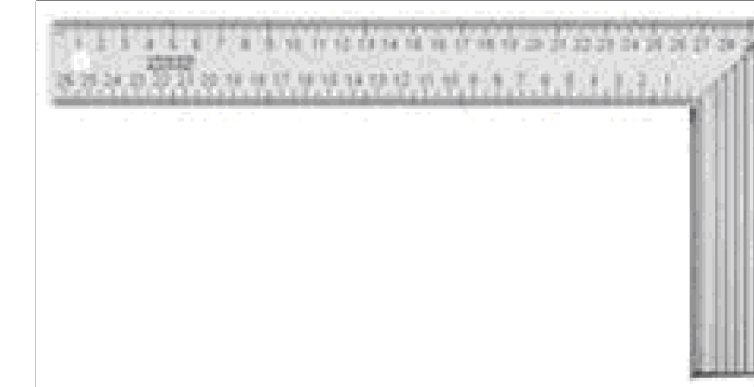
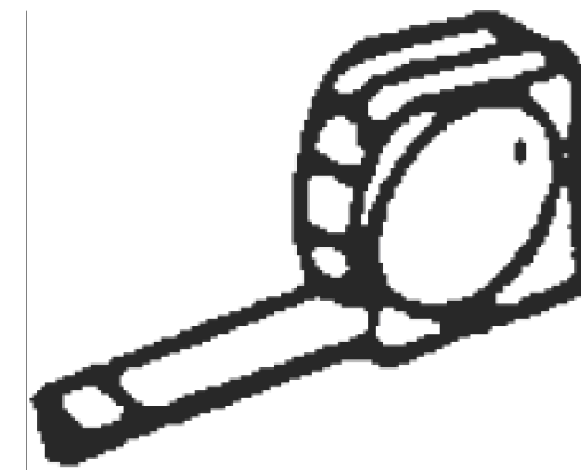
Protective Equipment:

1. Helmet
2. Glove
3. Long Sleeve Cotton Overalls
4. Emergency Medicine Cabinet
5. Eye Shield



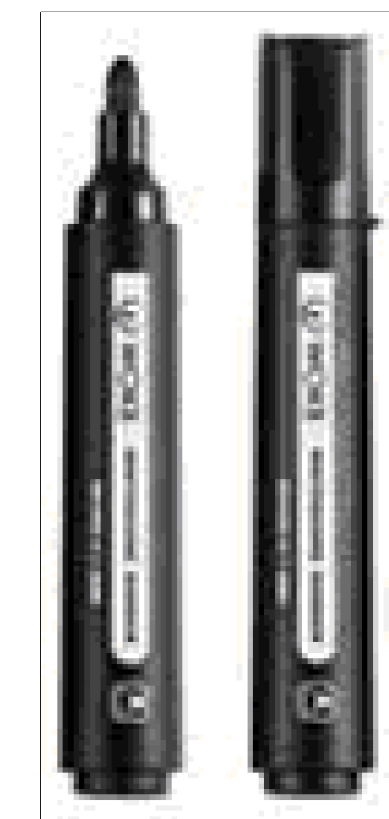
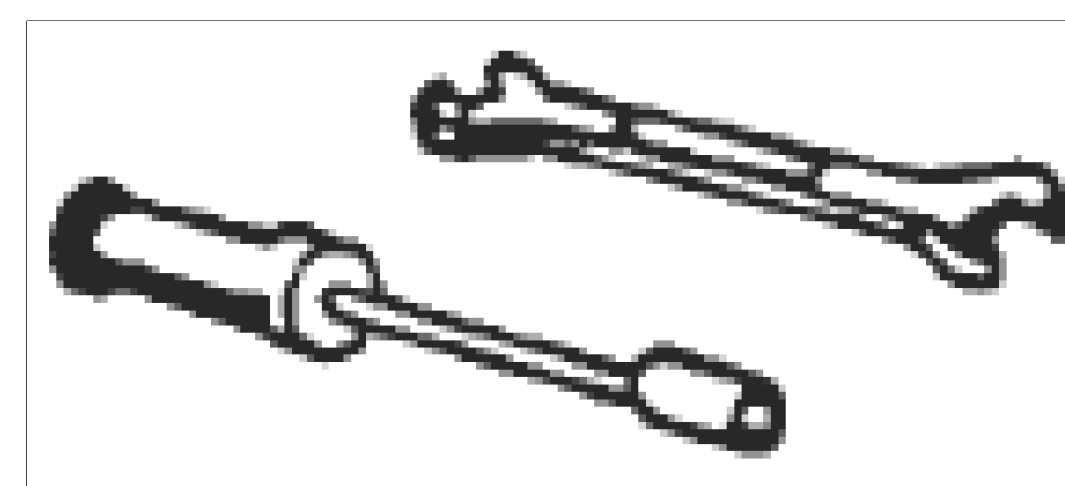
Measure (metric):

1. The Tape (5 m)
2. Angle Square
3. Level Meter



Installation Tool:

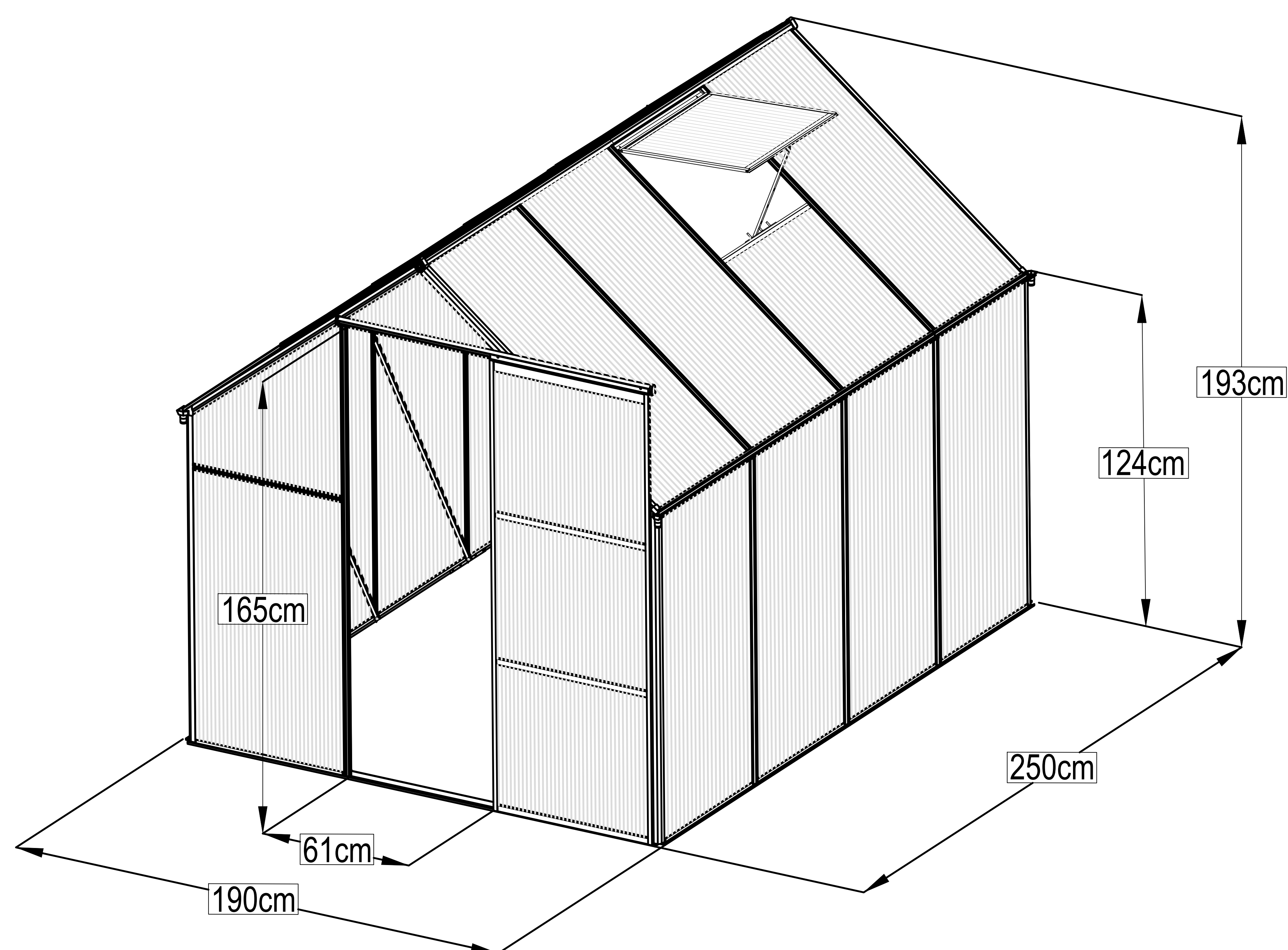
1. Triangle Stairs ≈ 1.5m Height
2. Spanner 10mm (Ratchet Wrench is better)
3. Electric screwdriver + 10mm hex bolt sleeve (suggest)
4. Wooden Mallet
5. Marking Pen
6. Silicon
7. Knife
8. Phillips screwdriver



Silicon

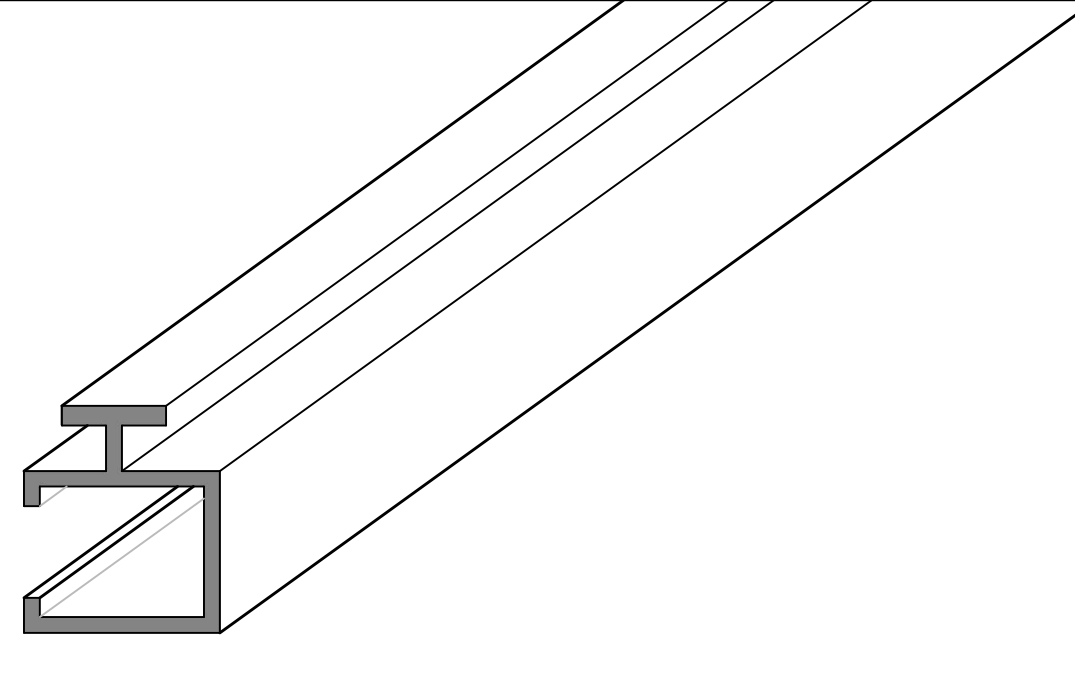
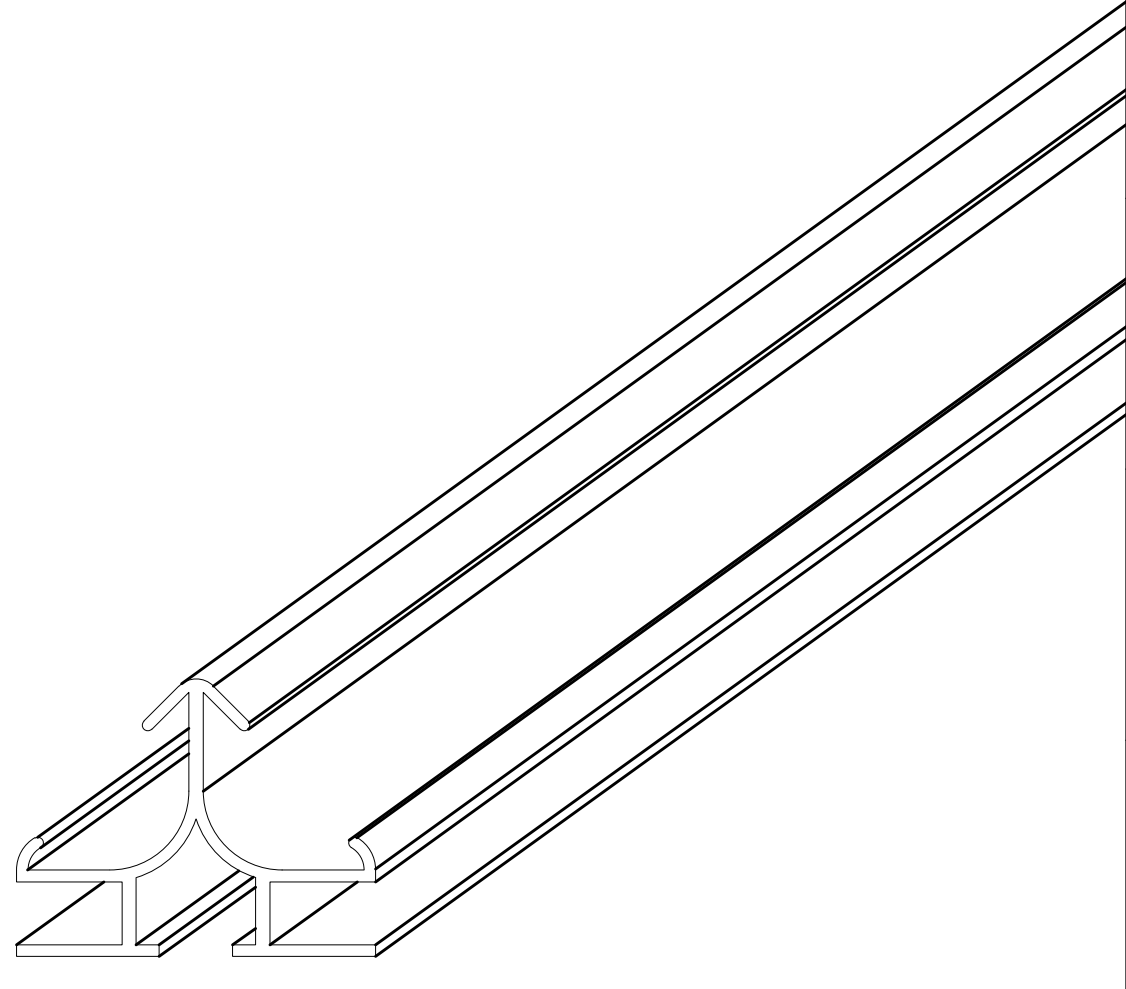
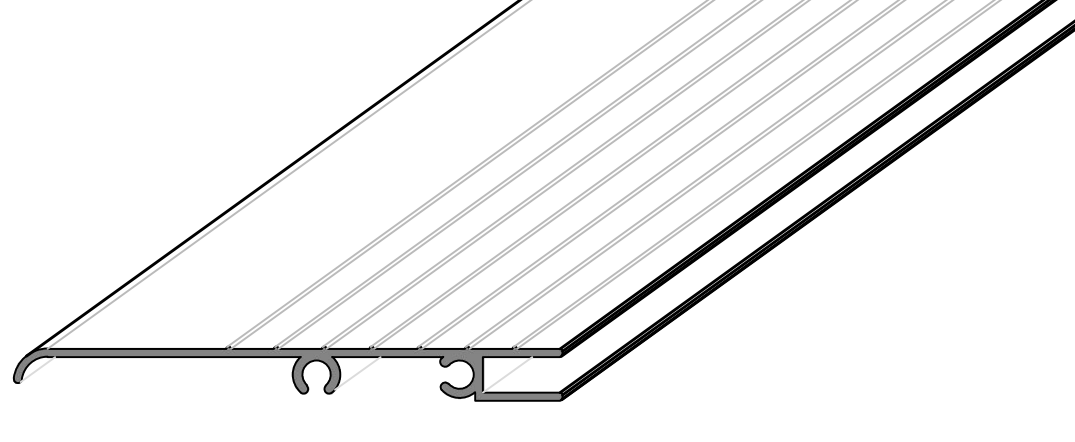
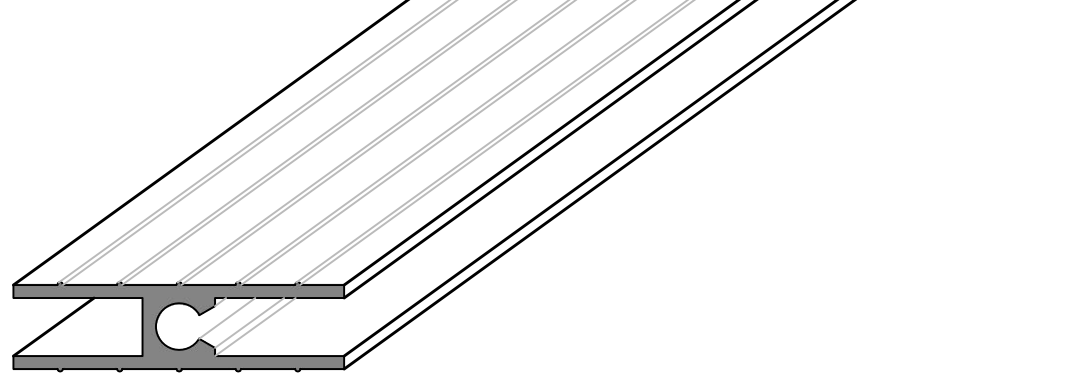
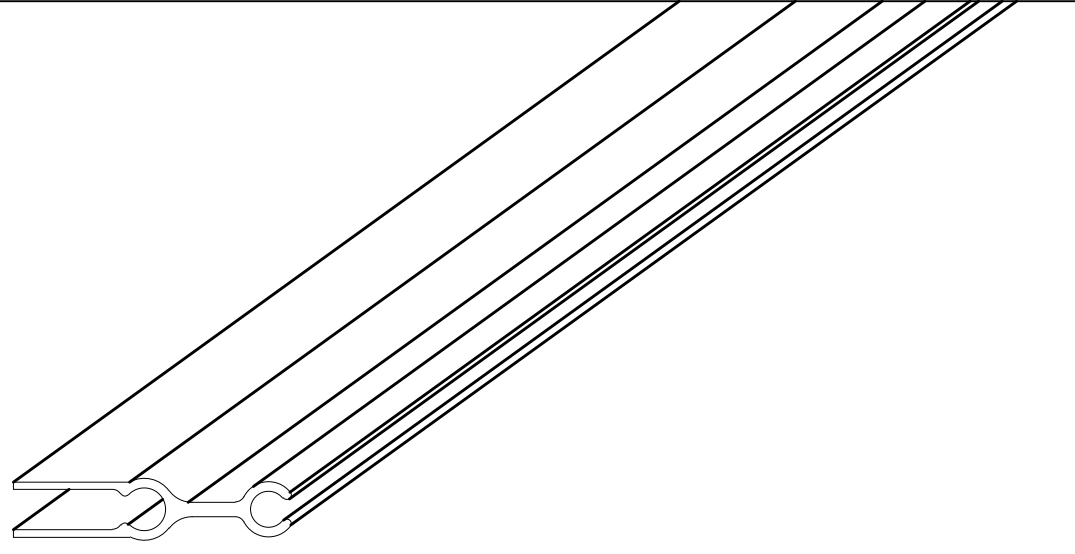
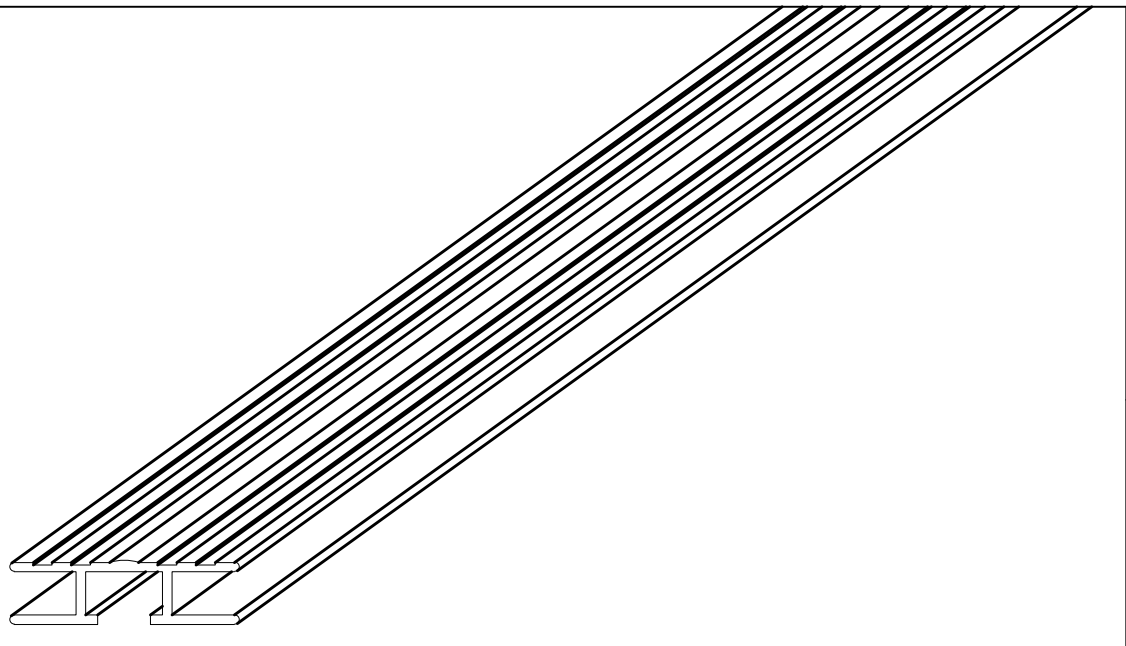
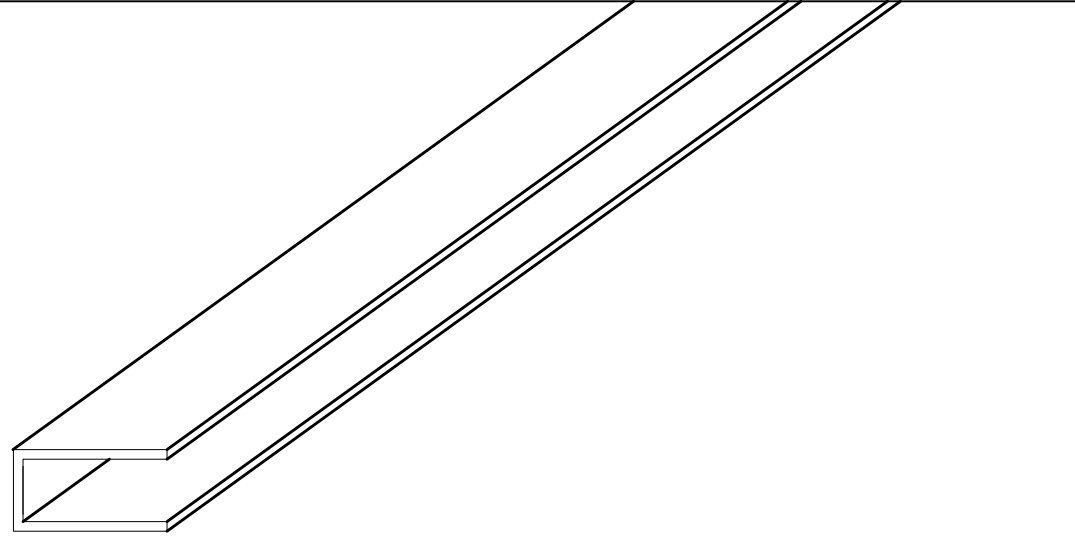
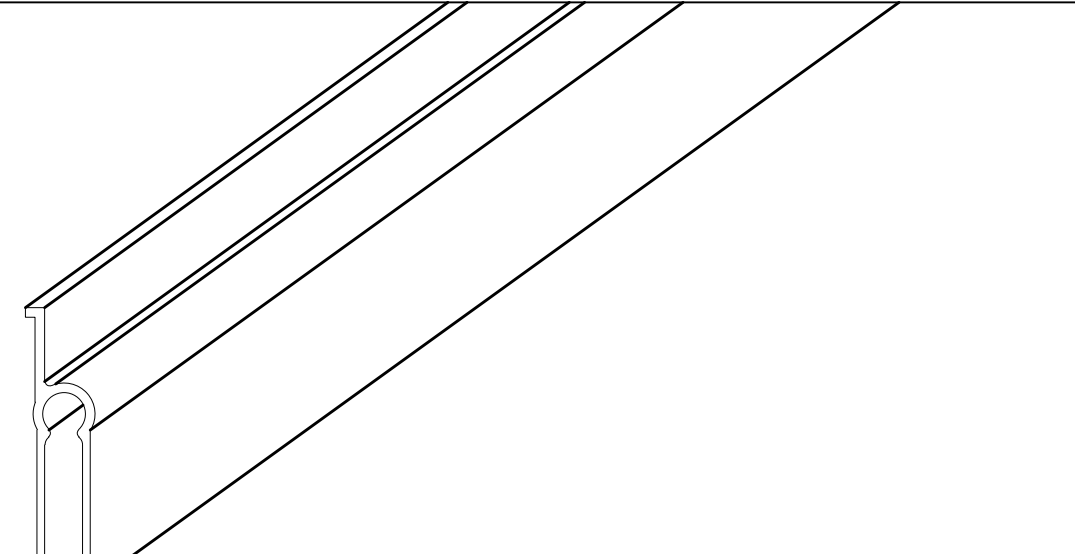
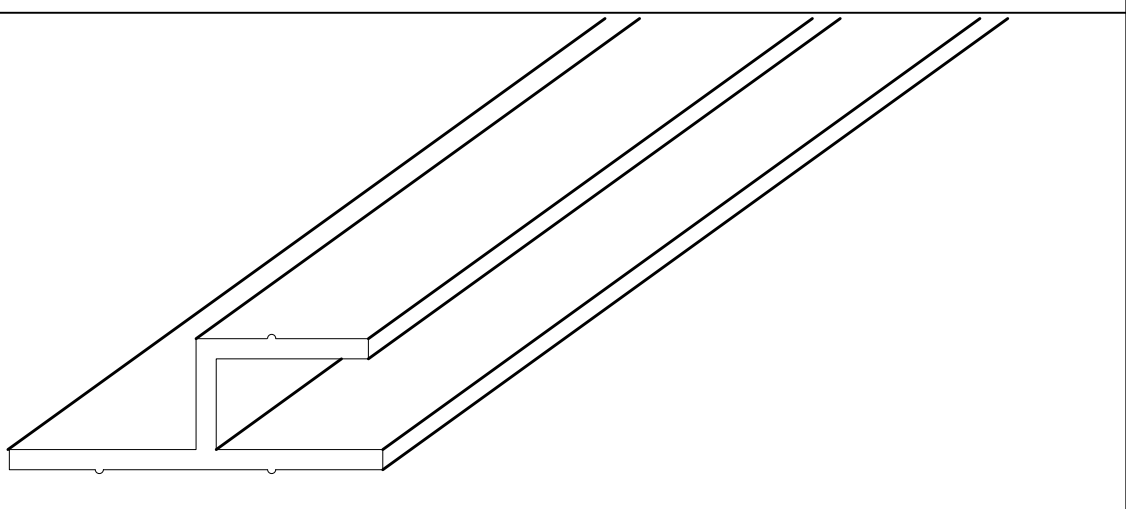
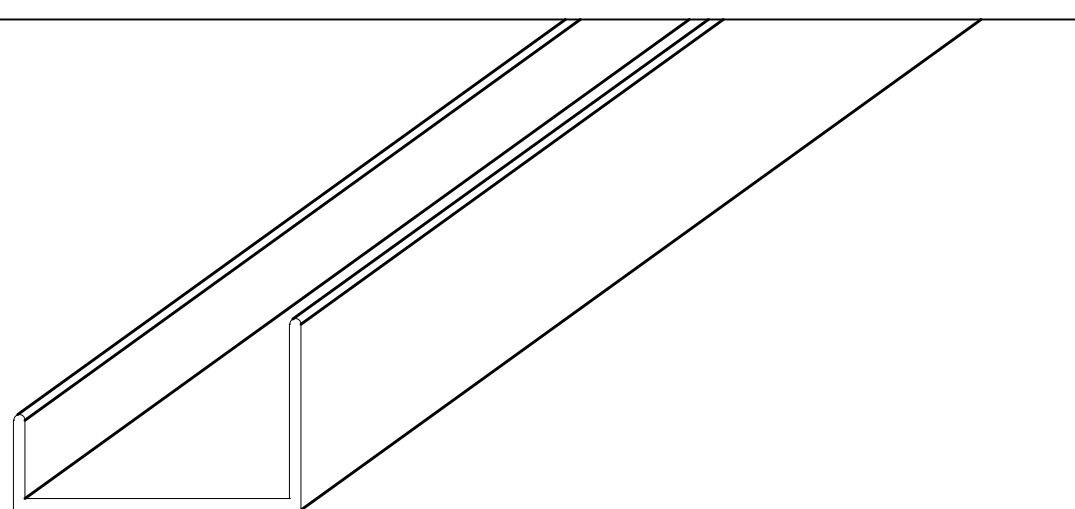
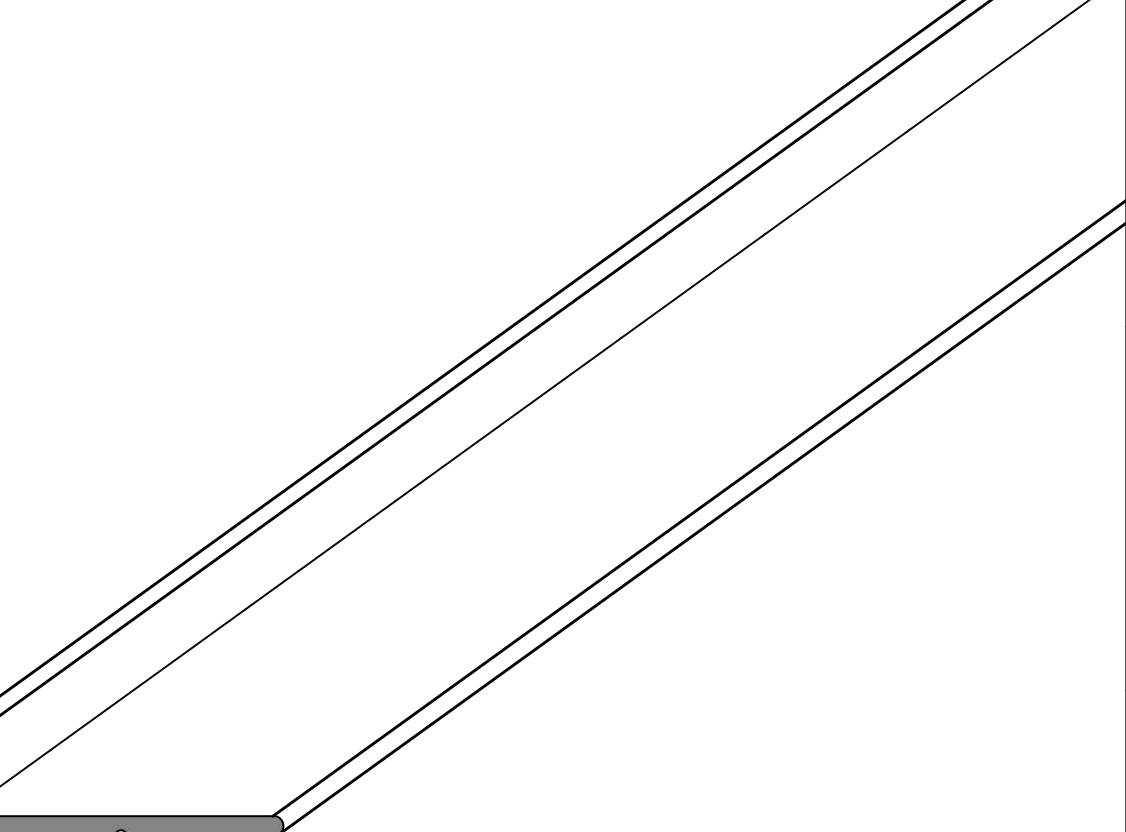
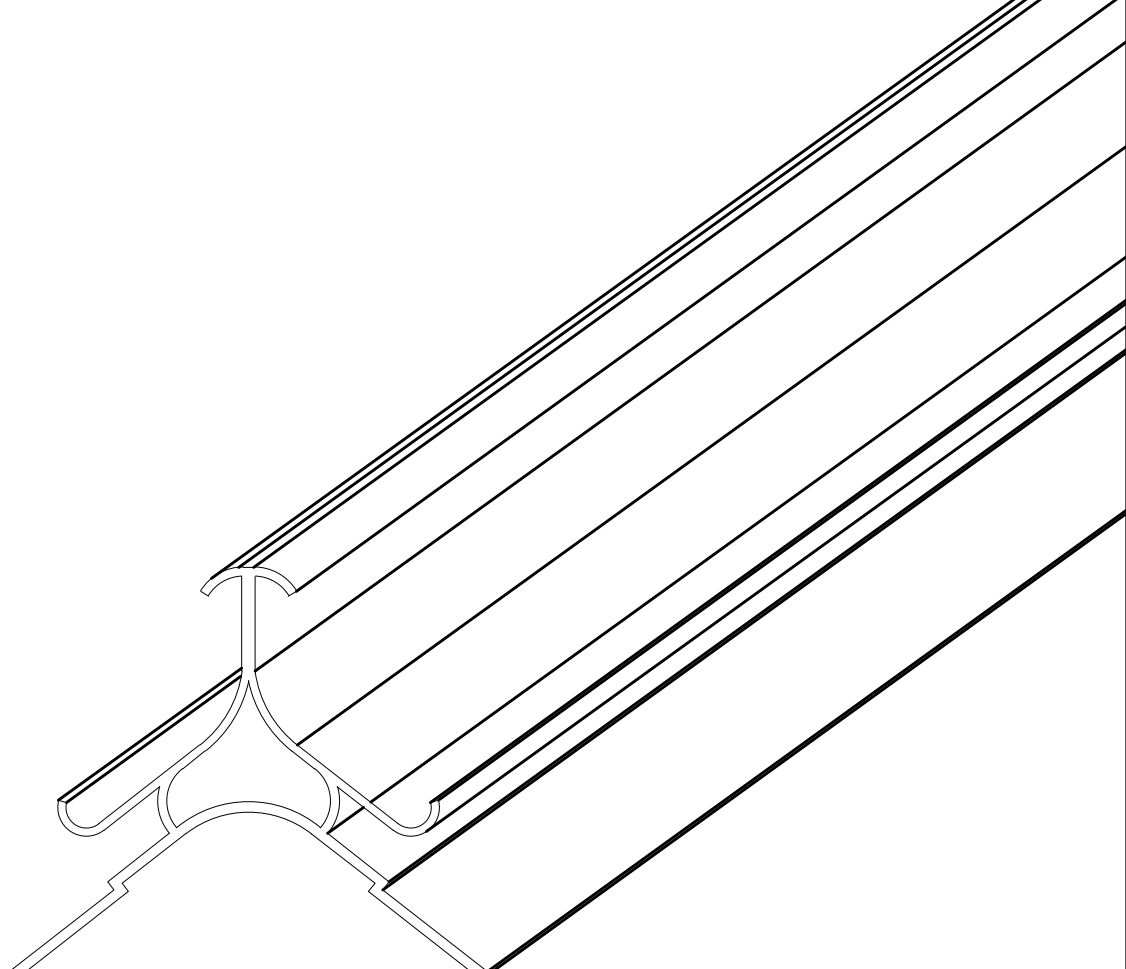
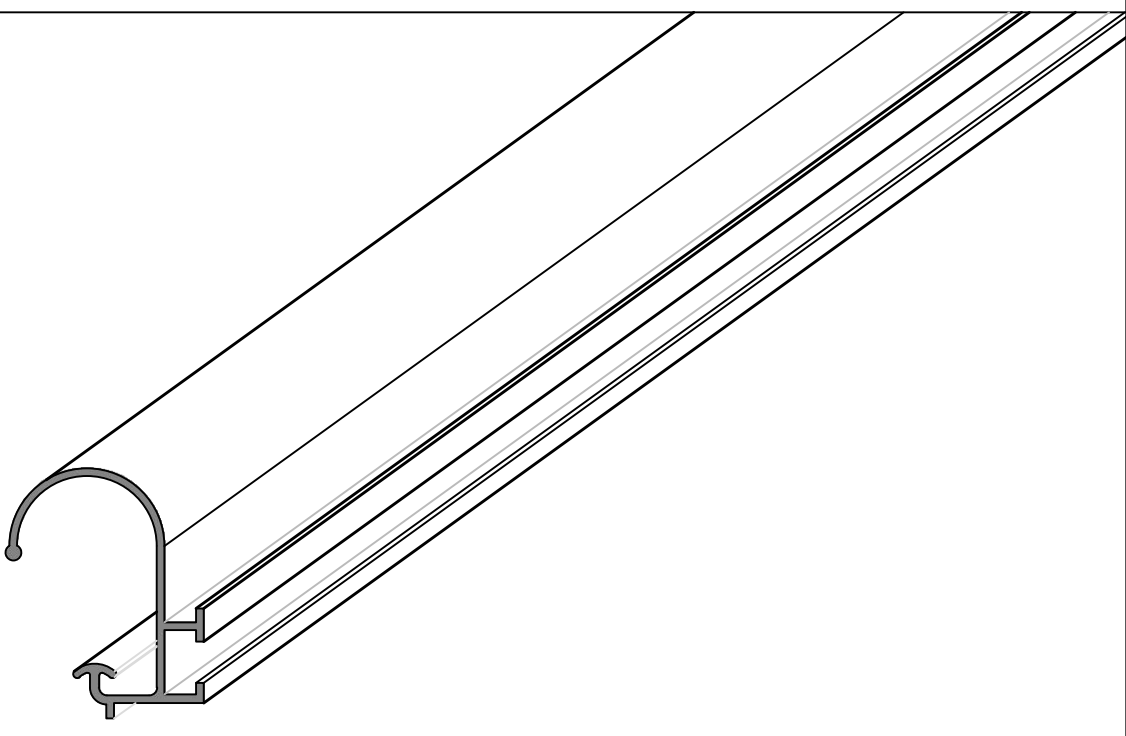
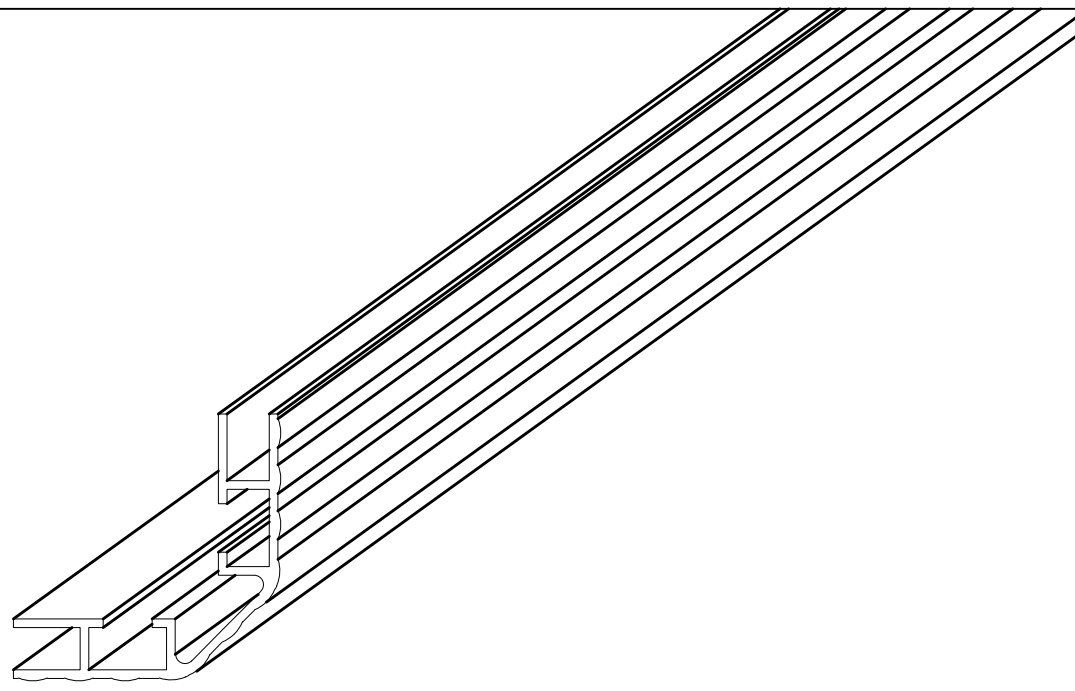
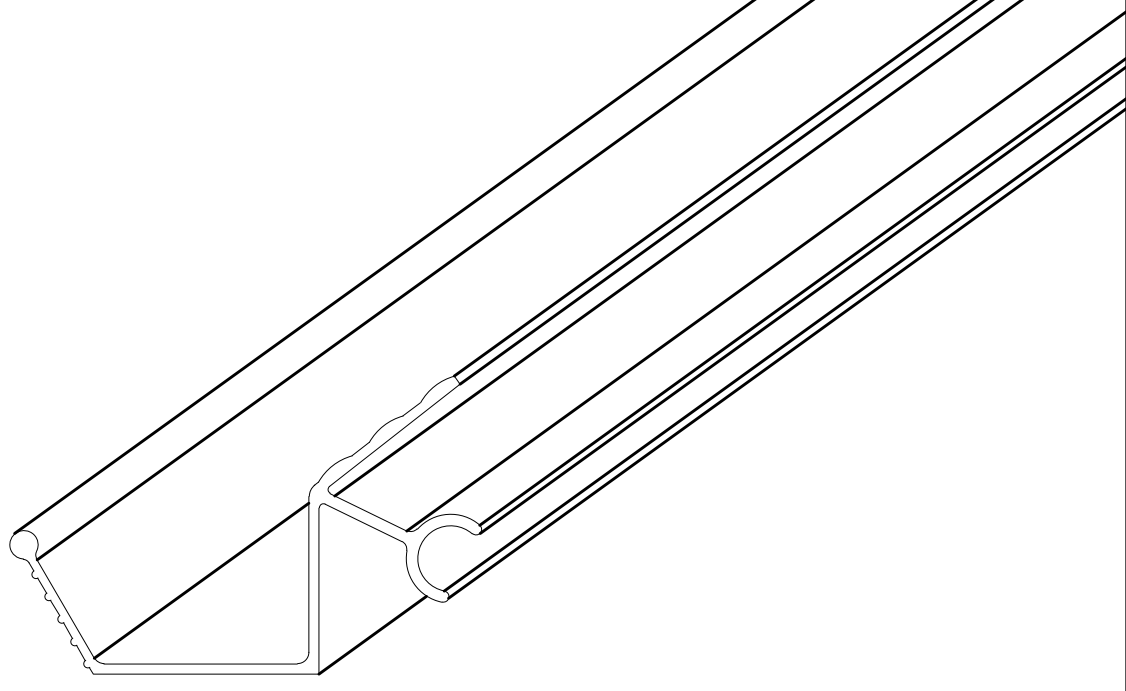
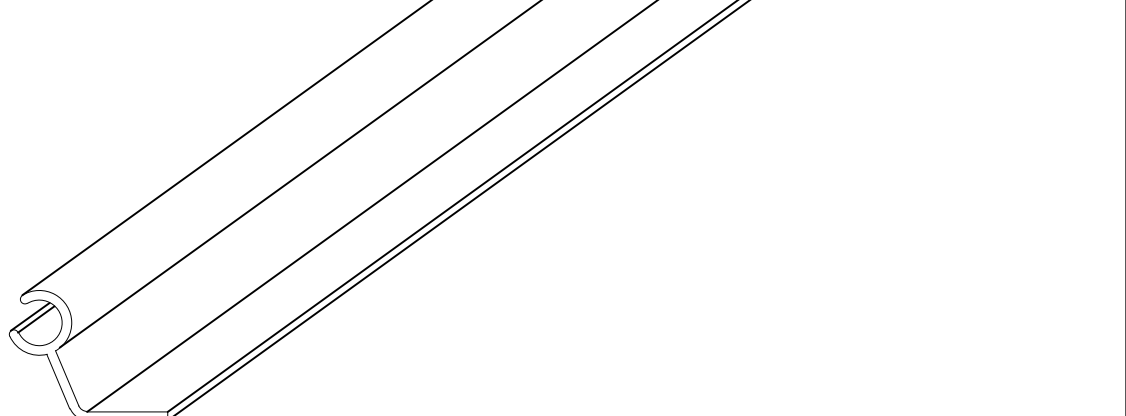
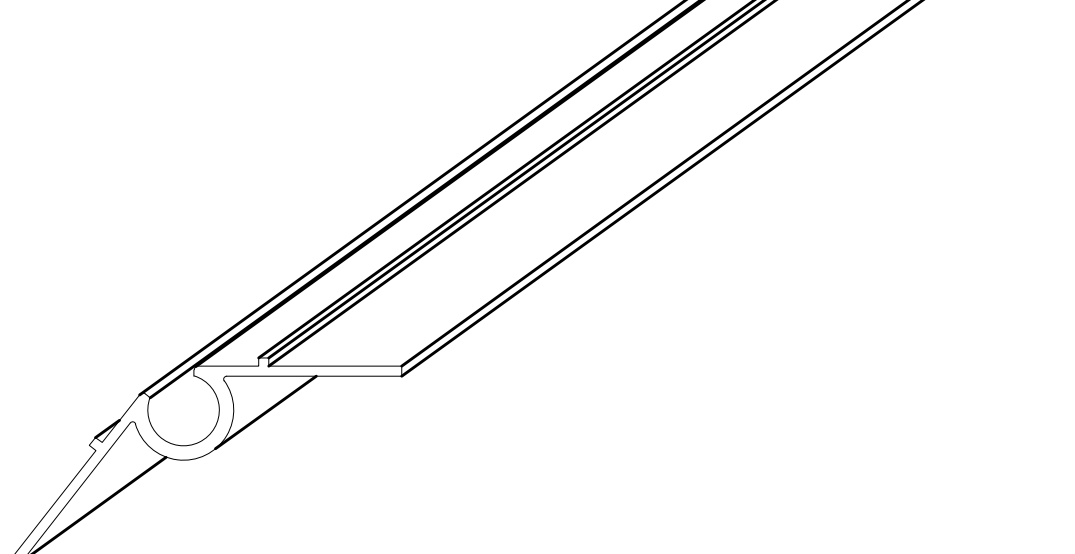
OTHER CAUTIONS

1. 3-4 people required, one is for measuring & taking marks to ensure the installation dimension ,the second person is responsible for the installation and the last one do as assistant and assure the safety.
2. High-power electric tools are required, ensure the normal work of them and highly pay\attention to electric safety.
3. Be careful when using the kind of blunt tools, like hammer.
4. Wearing long sleeve cotton overalls,gloves and helmet during installation and wea safety glasses when using power tools.
- 5.No up watching when working height, or the drop screws may hurt your eyes and suffocation causing accide ntally when fall into your mouth.
6. No climbing, No standing on the tent to avoid falling down.
7. If injuries immediately, using the first-aid kit to stop bleeding,bind up,In case of emergency , taken immediately to a nearby medical institutions.



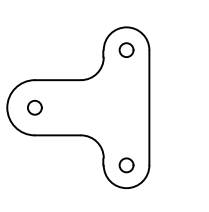
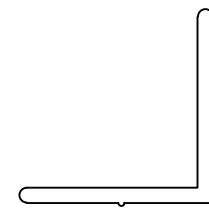
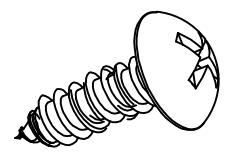
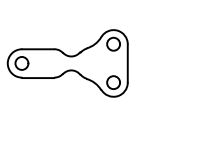
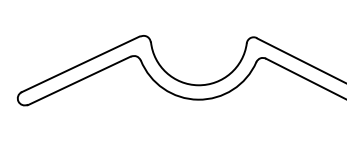
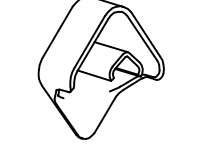
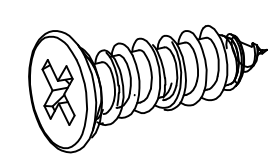
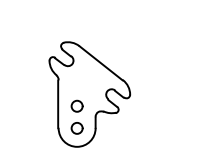
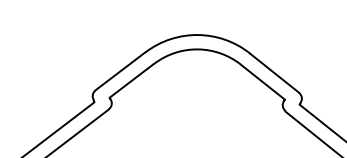
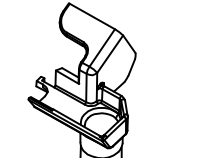
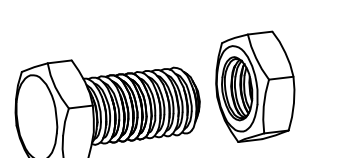
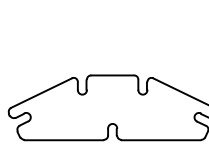

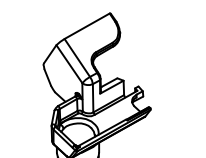
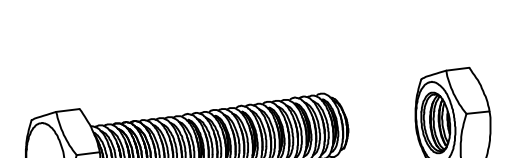
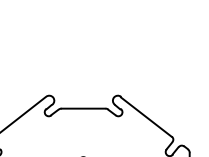
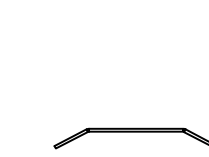
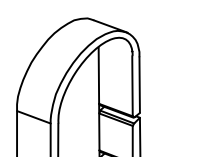
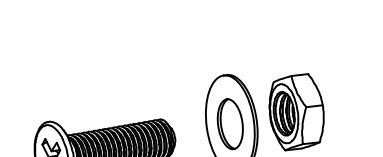
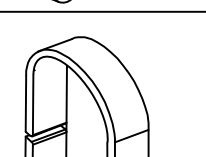
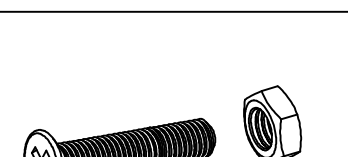
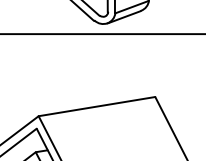
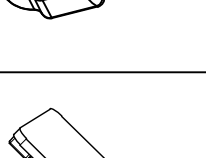
W540S00004

PARTS LIST OF NB250-1

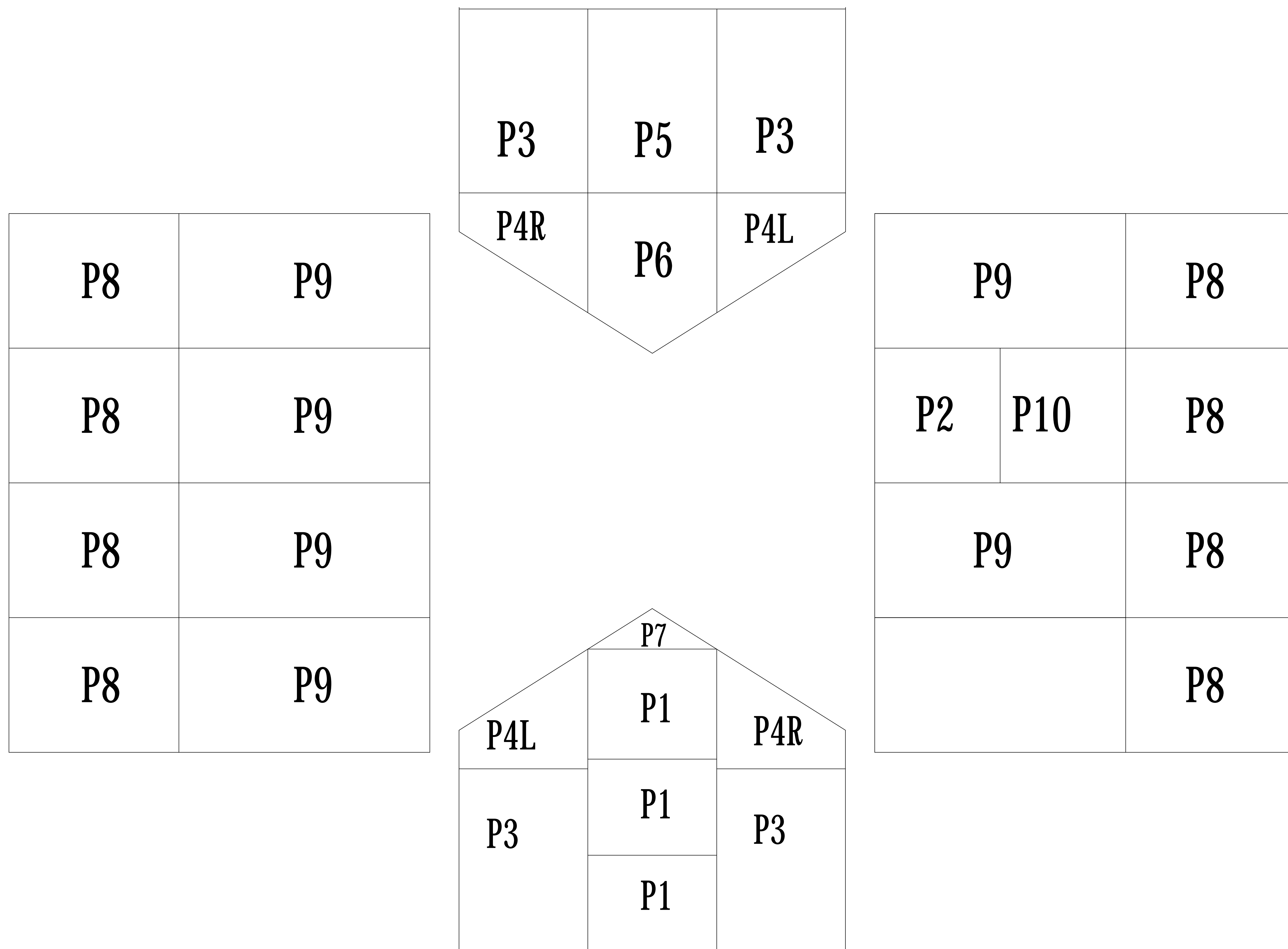
PART	NO.	Qty.	MM	PART	NO.	Qty.	MM	
	D1	1	1647		9	2	1653	
	D4	1	1647		10L	1	1674	
	D2	1	621		10R	1	1674	
	D3	3	621		19	6	1197	
	W1	1	588		20	6	1142	
	W2	2	500		12	4	583	
	W3	1	588		15	2	578	
	W4	1	380		13	1	630	
	4	2	1219			14	1	1838
	4-1	2	1219			22	12	1200
	5	1	1838		23	4	1100	
6	1	1838			17	2	1219	
	7	4		1197		18	1	1240
	16	4	1142			25	4	1217
	8	4	1219		26	1	580	

PART

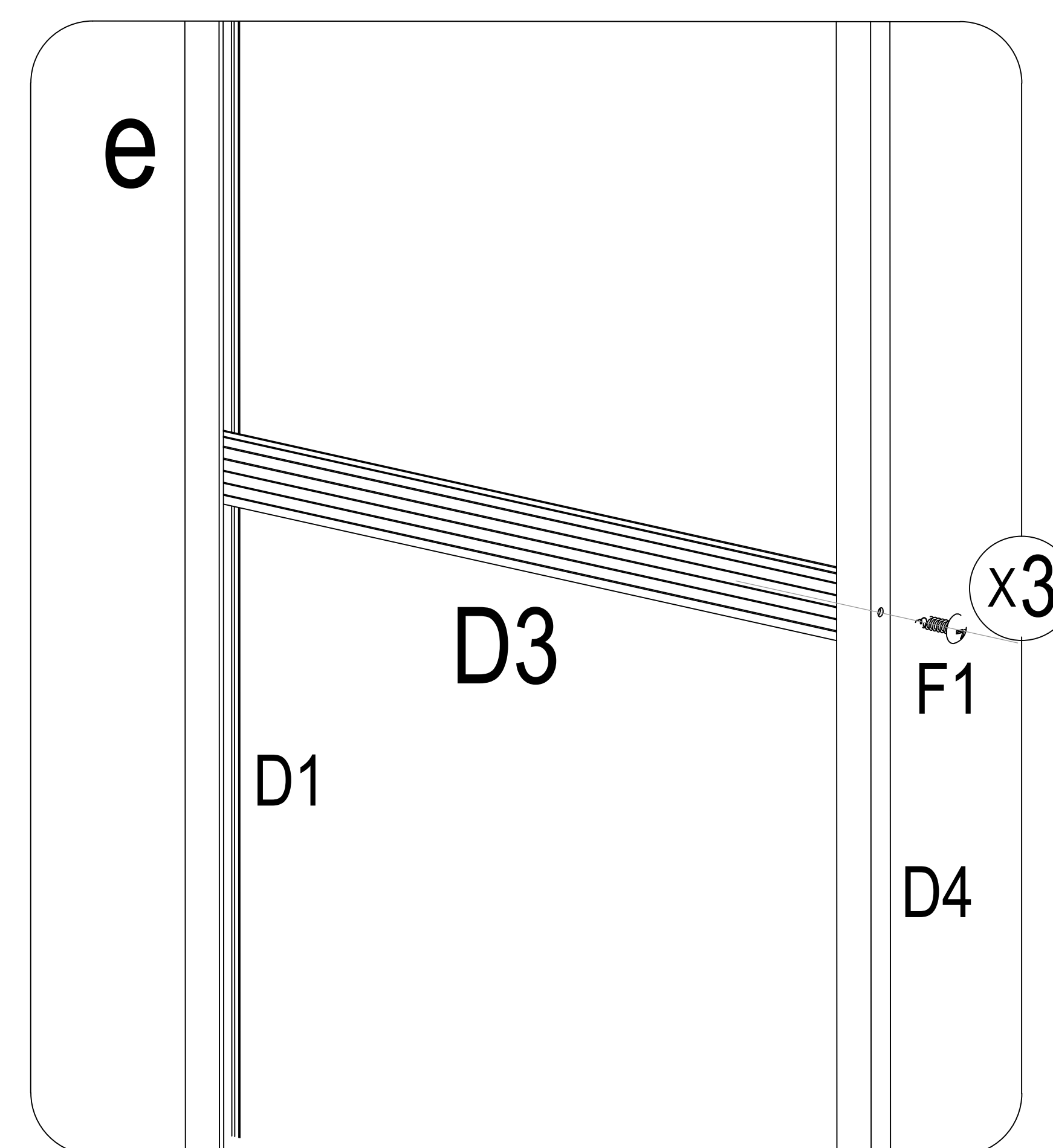
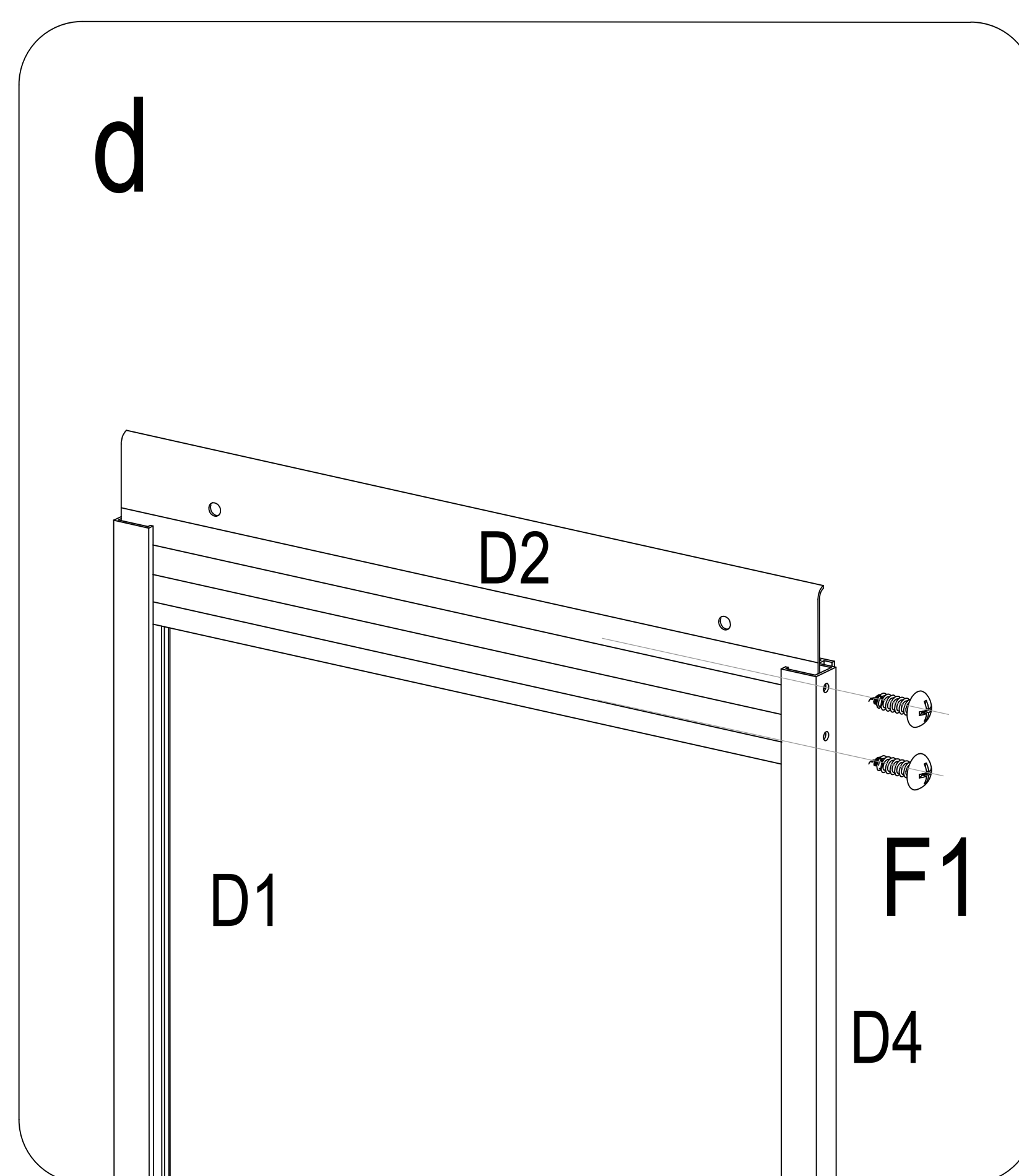
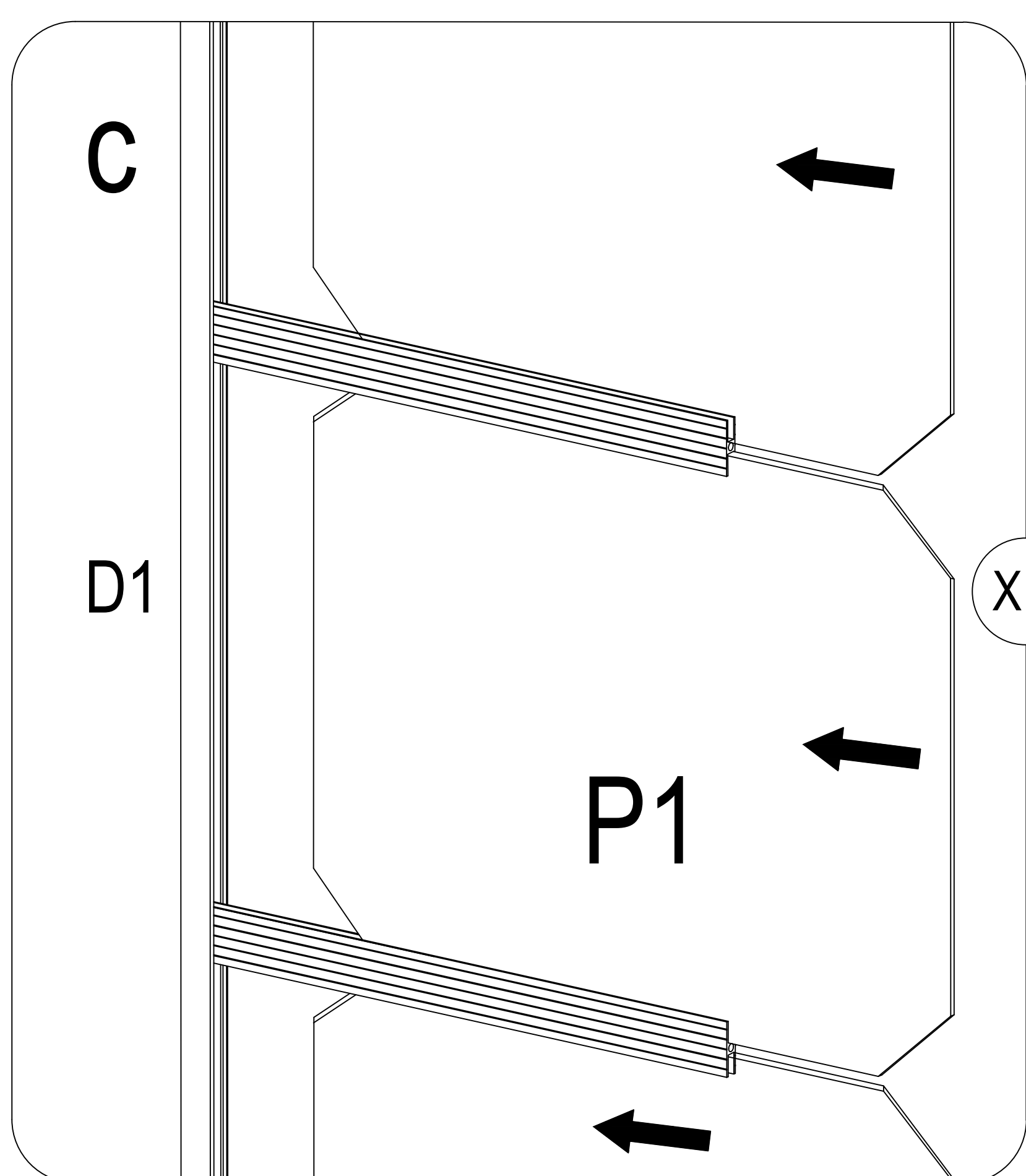
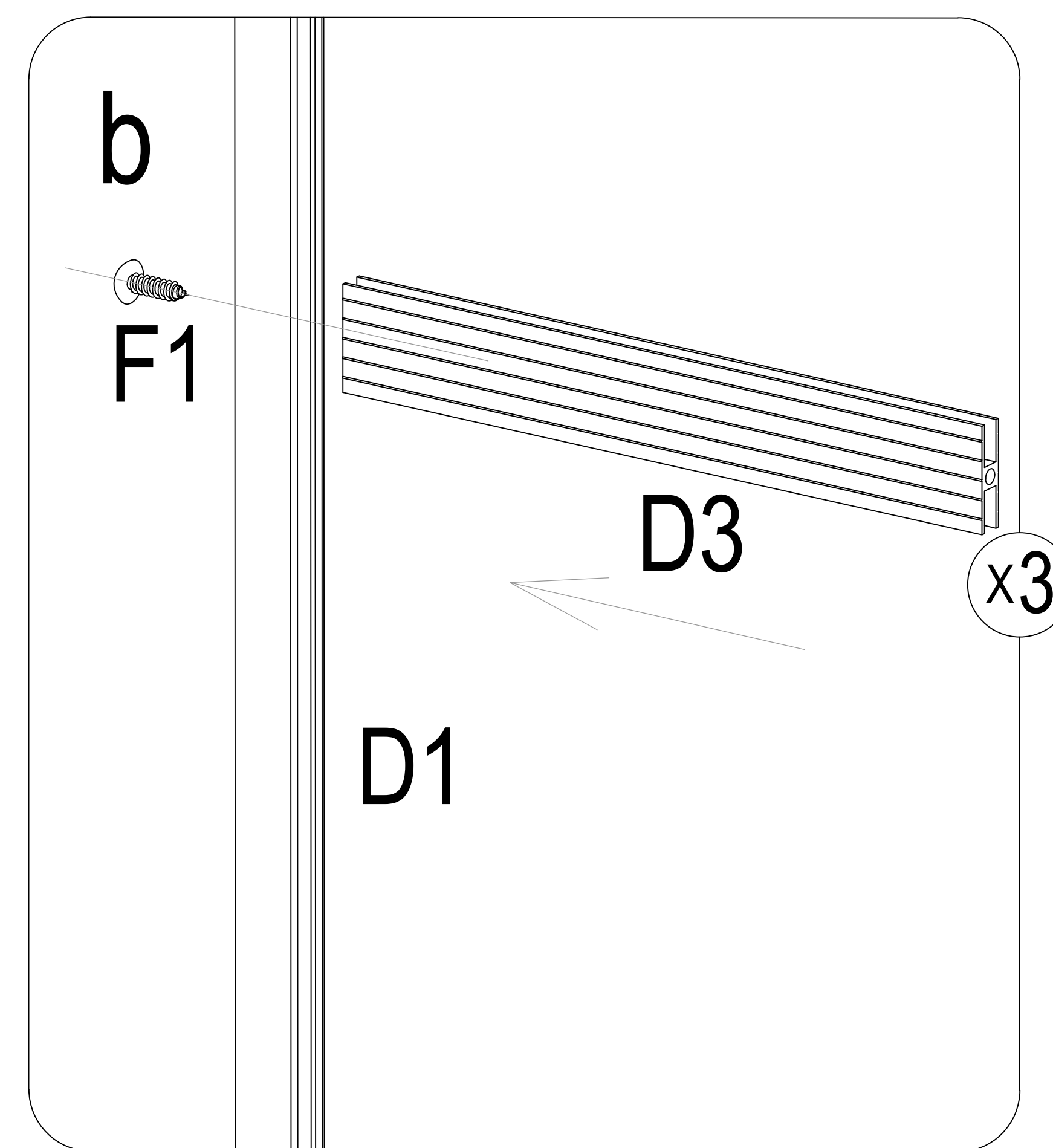
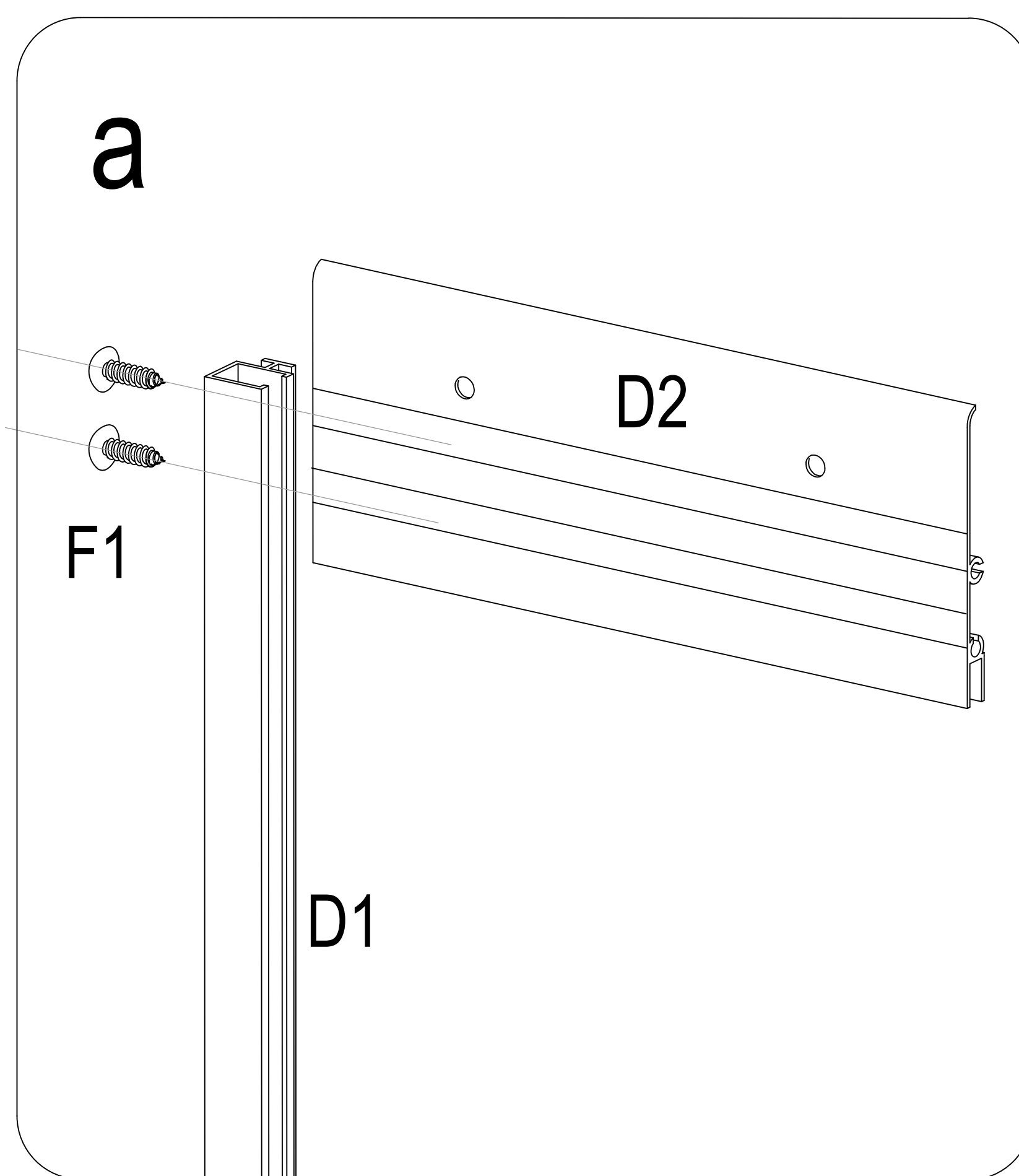
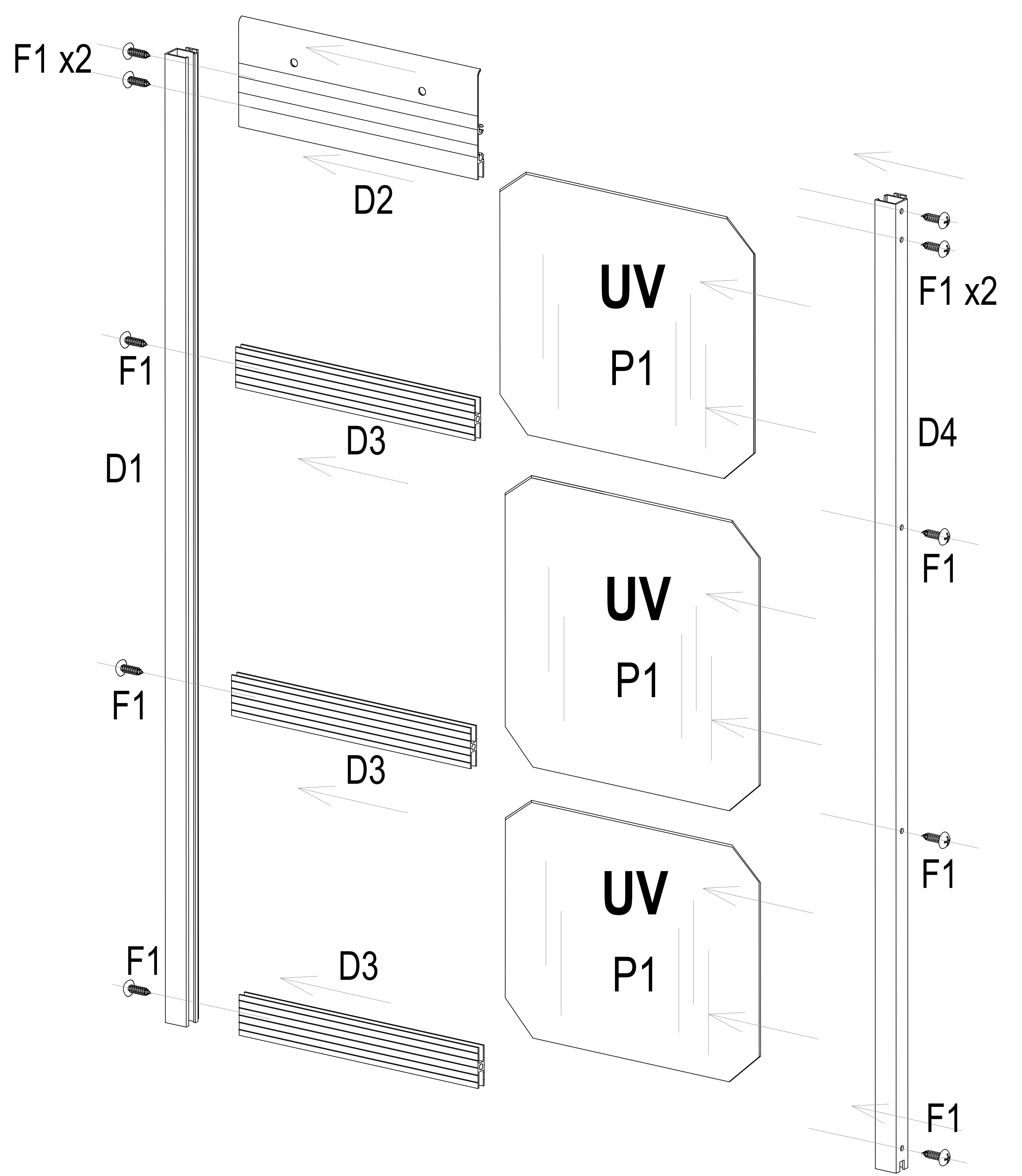
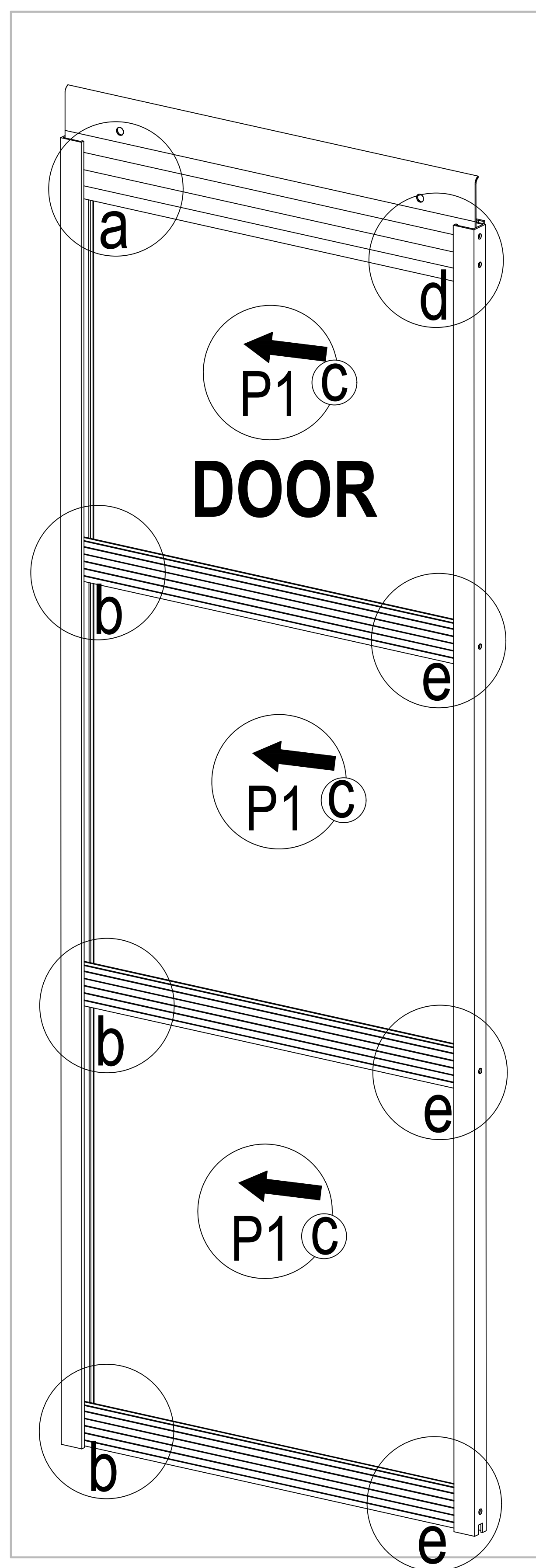
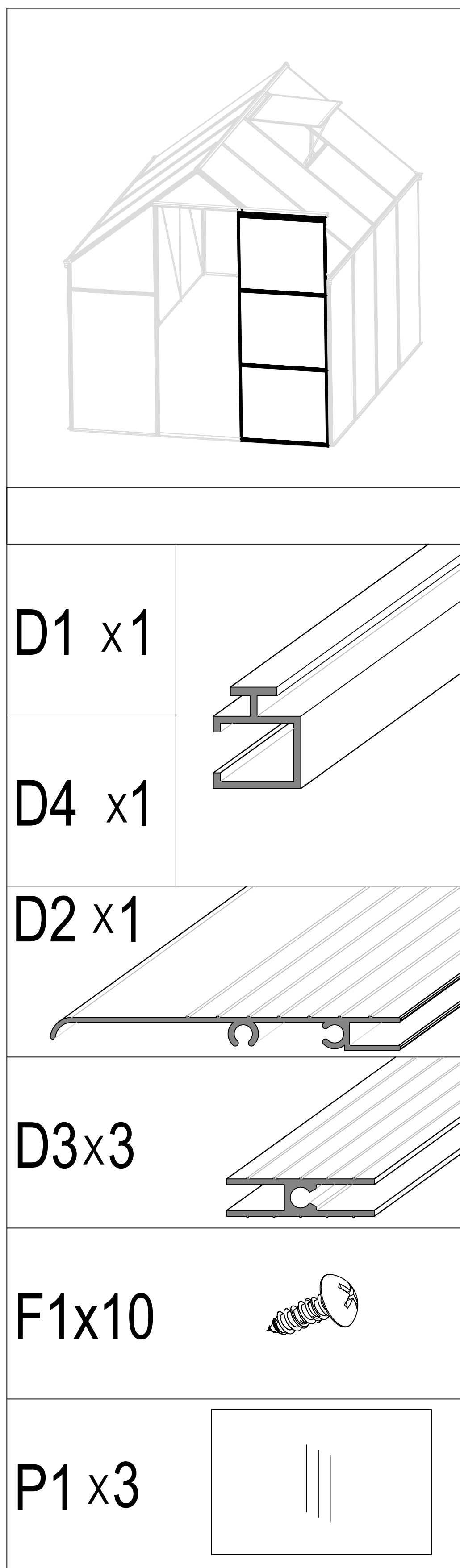
PARTS LIST OF NB250-1

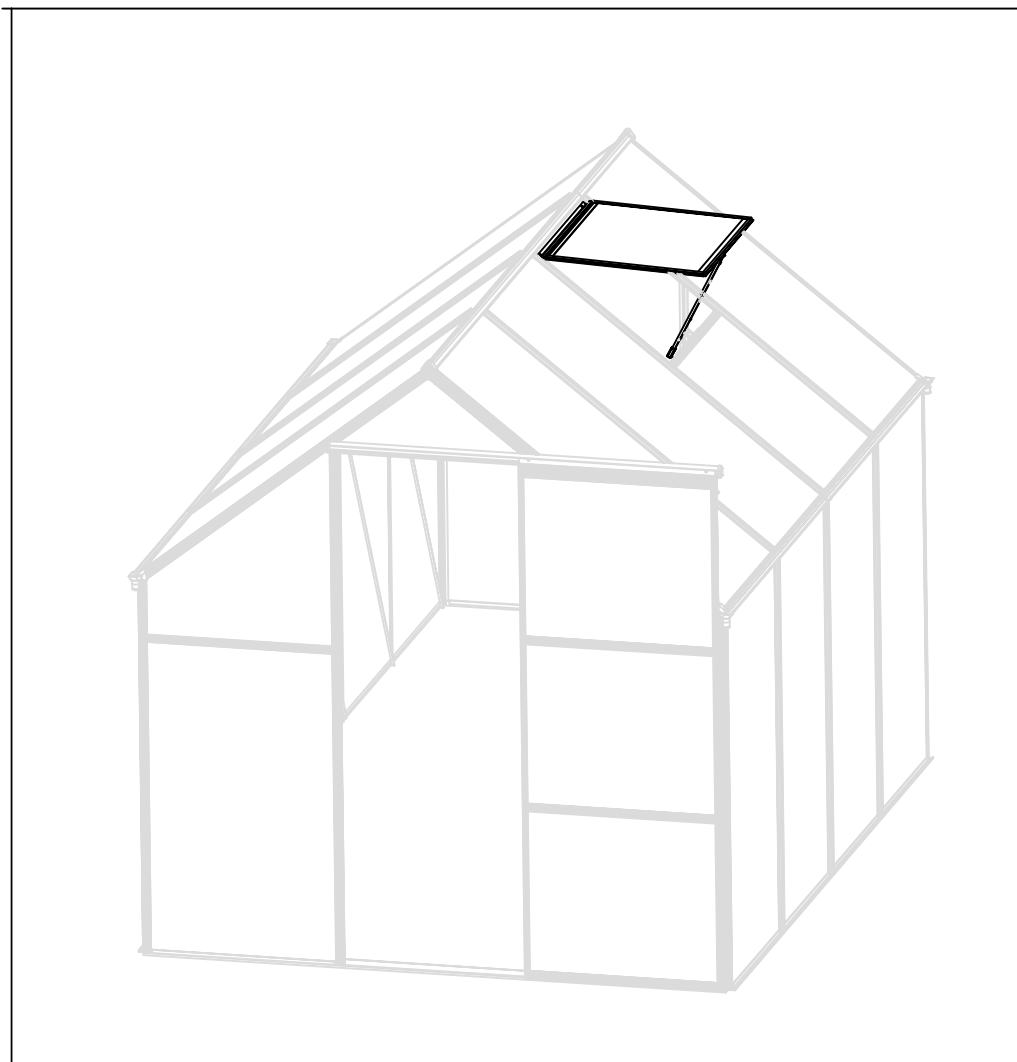
NO.	Qty.		NO.	Qty.		NO.	Qty.		NO.	Qty.	
B1	6		B10	2		S2	13		F1	10	ST3.8- 10mm 
B3	2		B11	2		S5	2		F2	8	ST4.8- 16mm 
B4	4		B12	1		S6L	2		F4	154	M5- 8mm 
B5	4		T1	3		S6R	2		F6	2	M5- 20mm 
B6	2		T2	6		S7L	1		F7	32	M6- 14mm 
B7	1					S7R	1		F8	2	4-18mm 
						S8	1				
						S9	1				
						S10	2				

SUMMARY STATEMENT FOR POLYCARBONATE PANEL

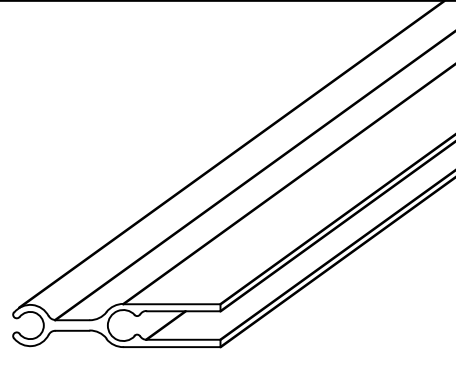


The UV-protected side of the sheet is covered with transparent film and must face towards the sun.

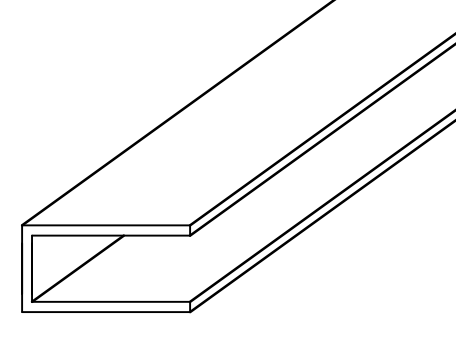




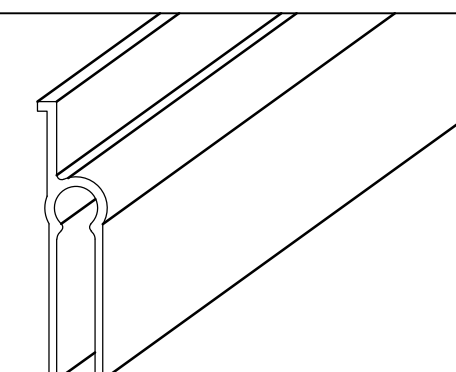
W1 x1



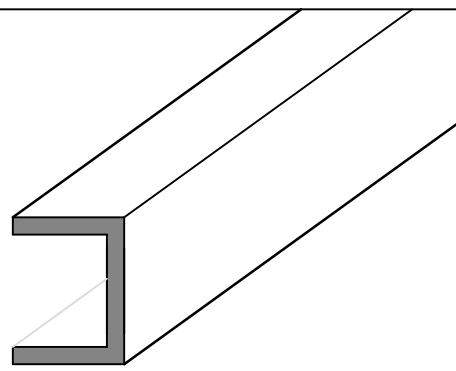
W2 x2



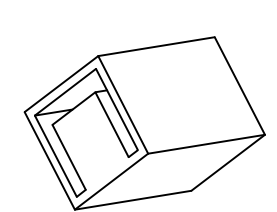
W3 x1



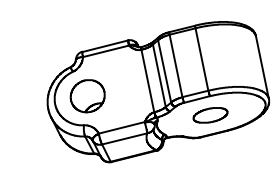
W4 x1



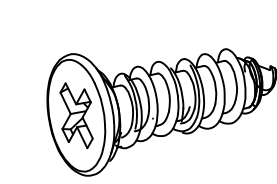
S8 x1



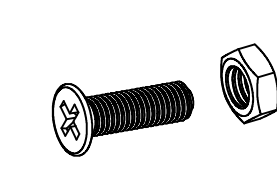
S9 x1



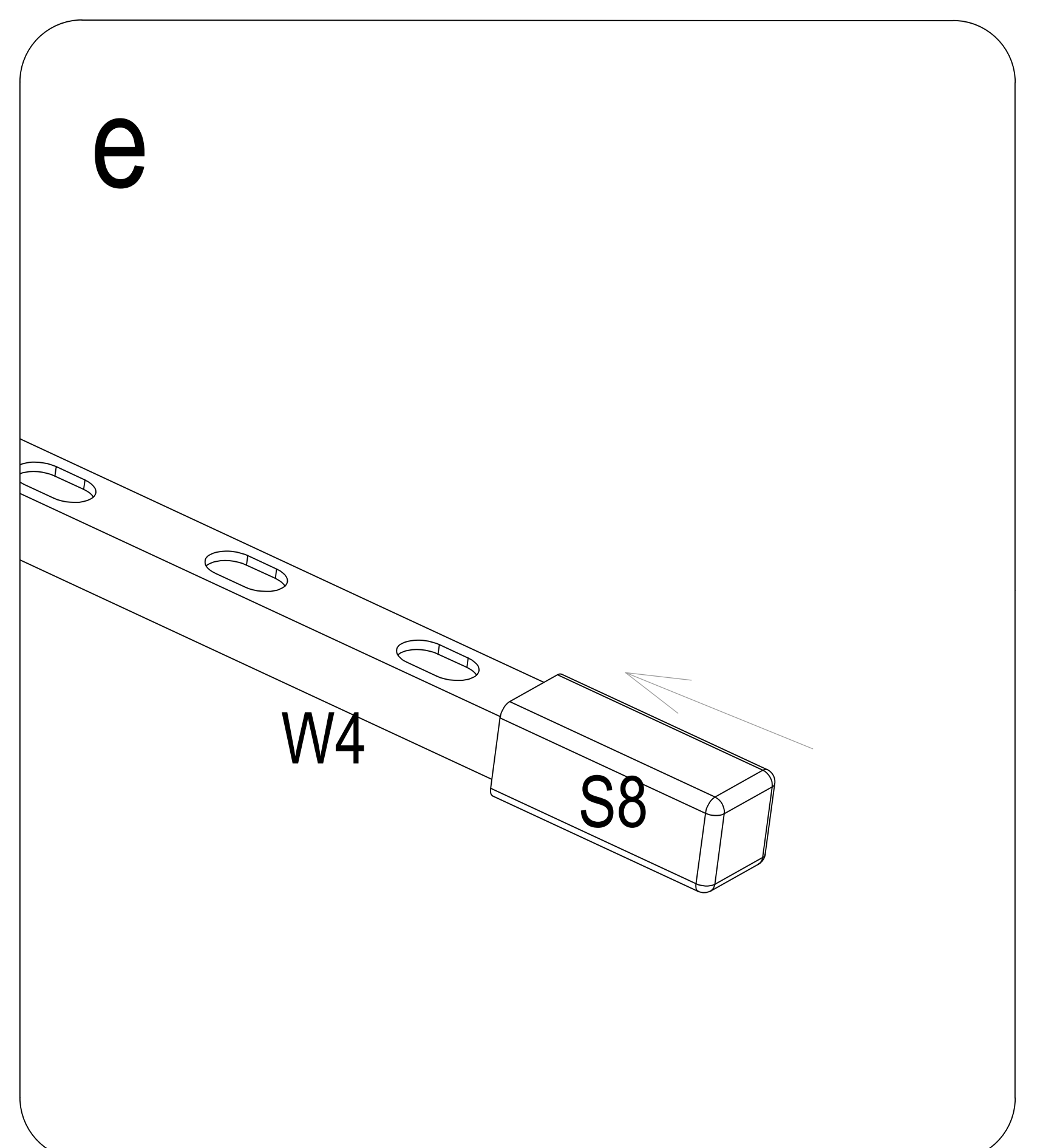
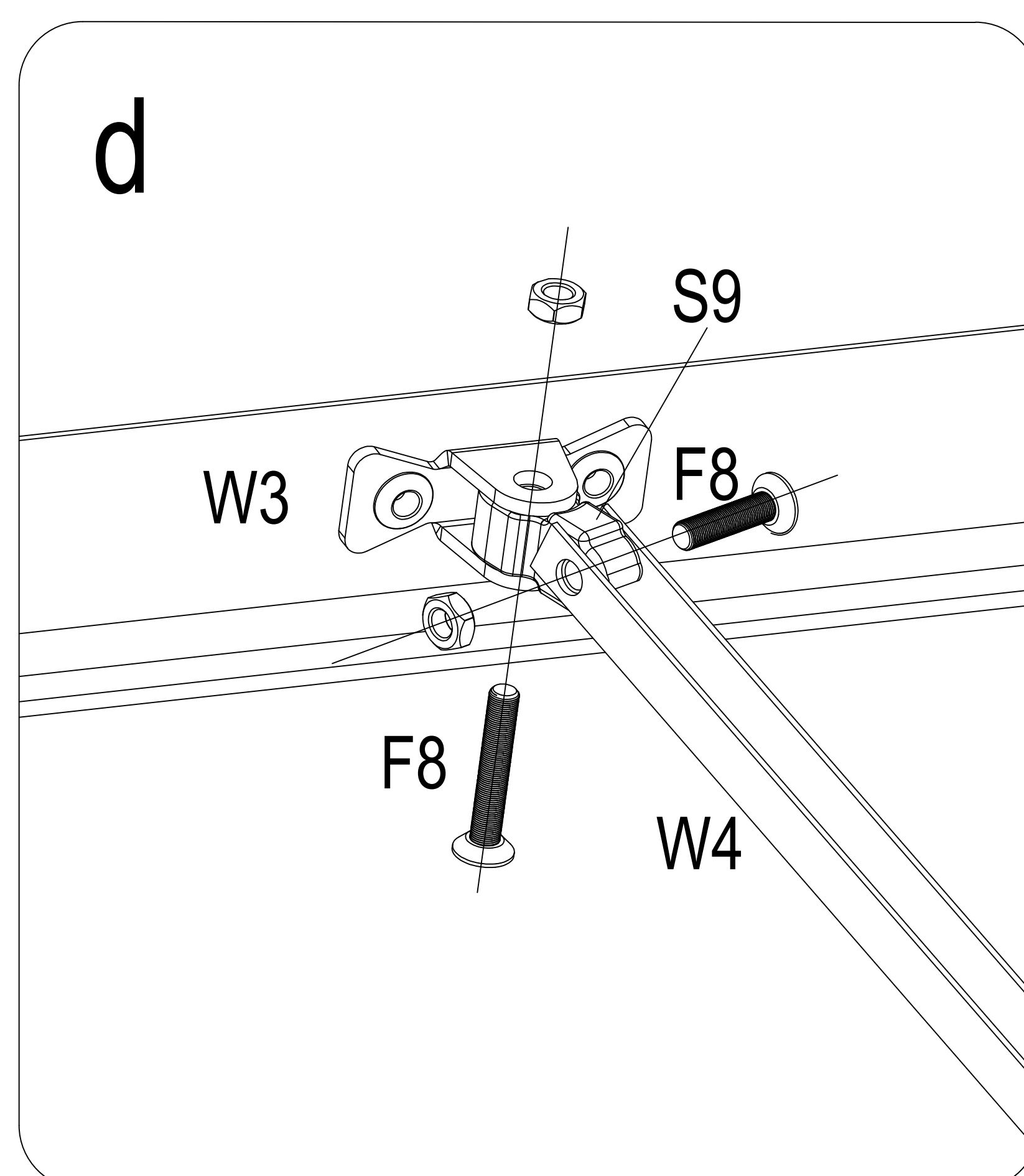
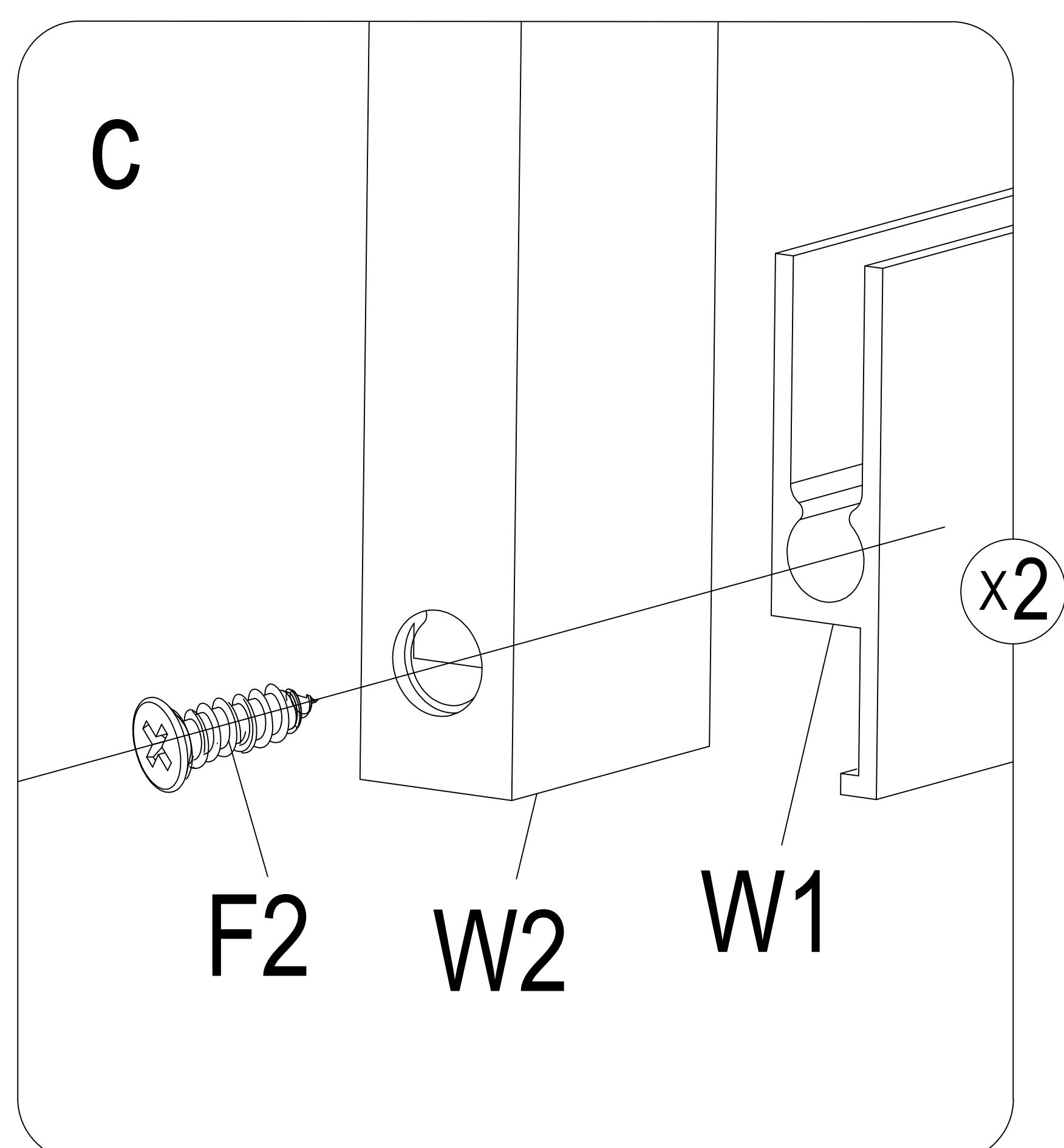
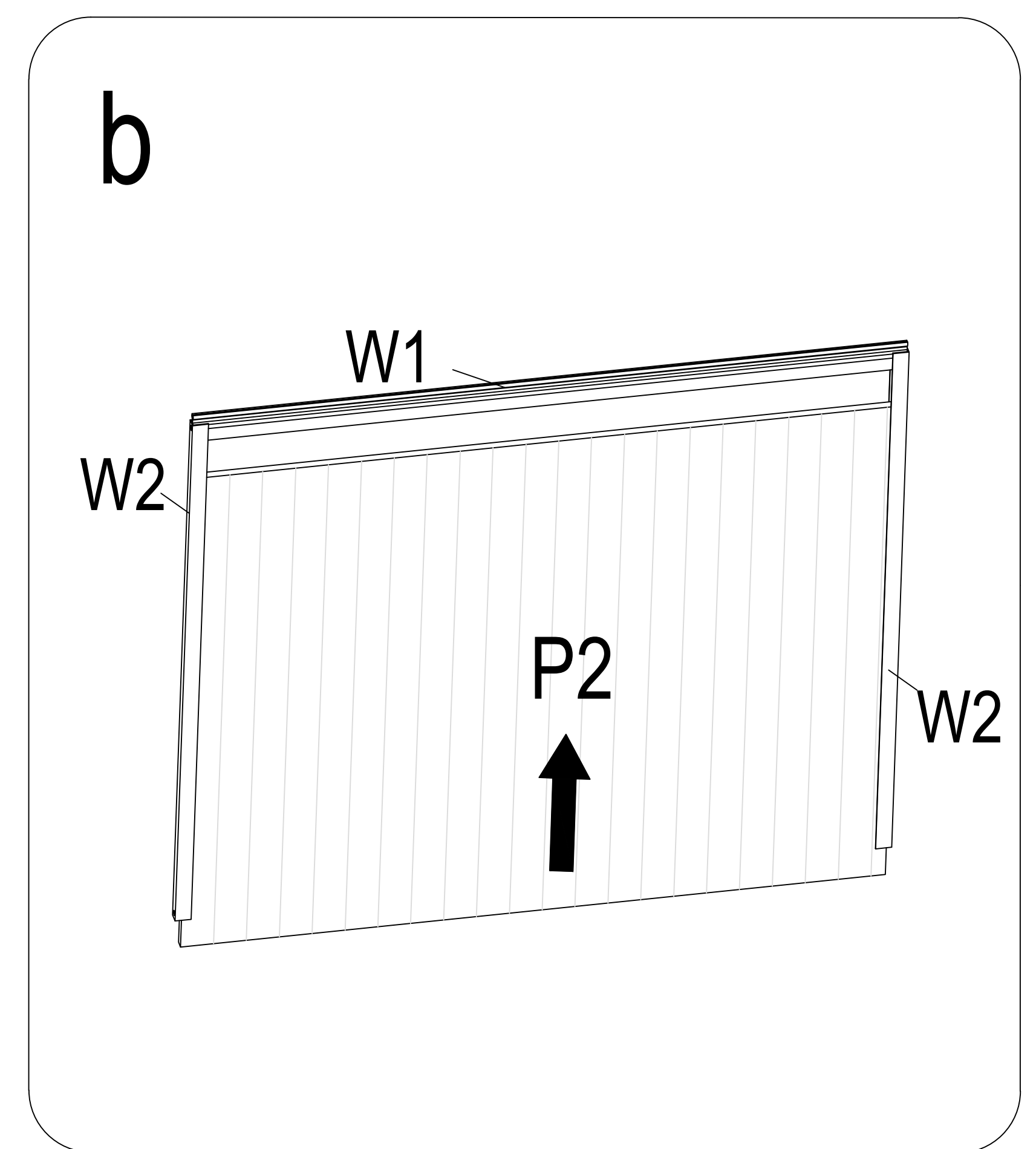
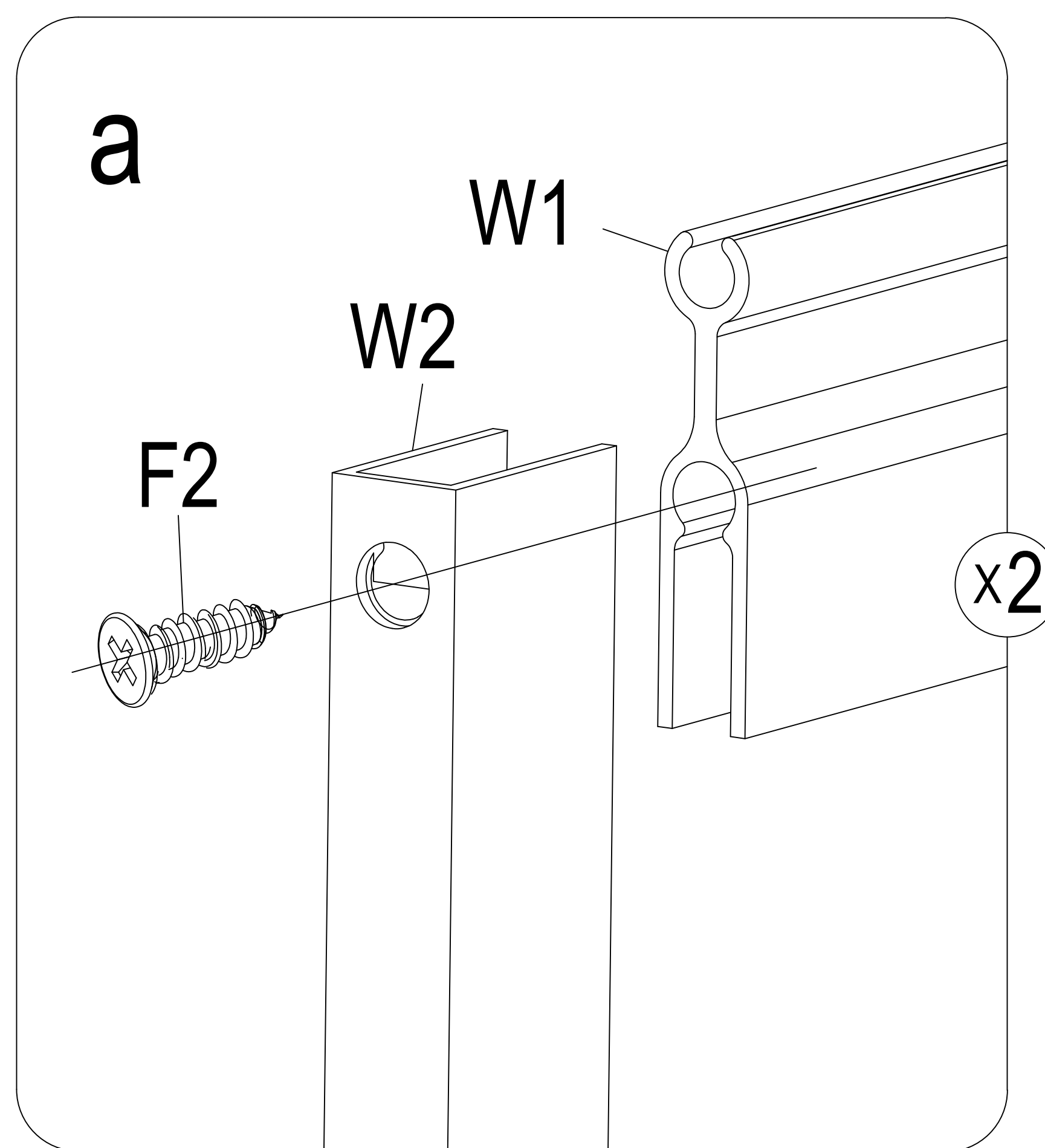
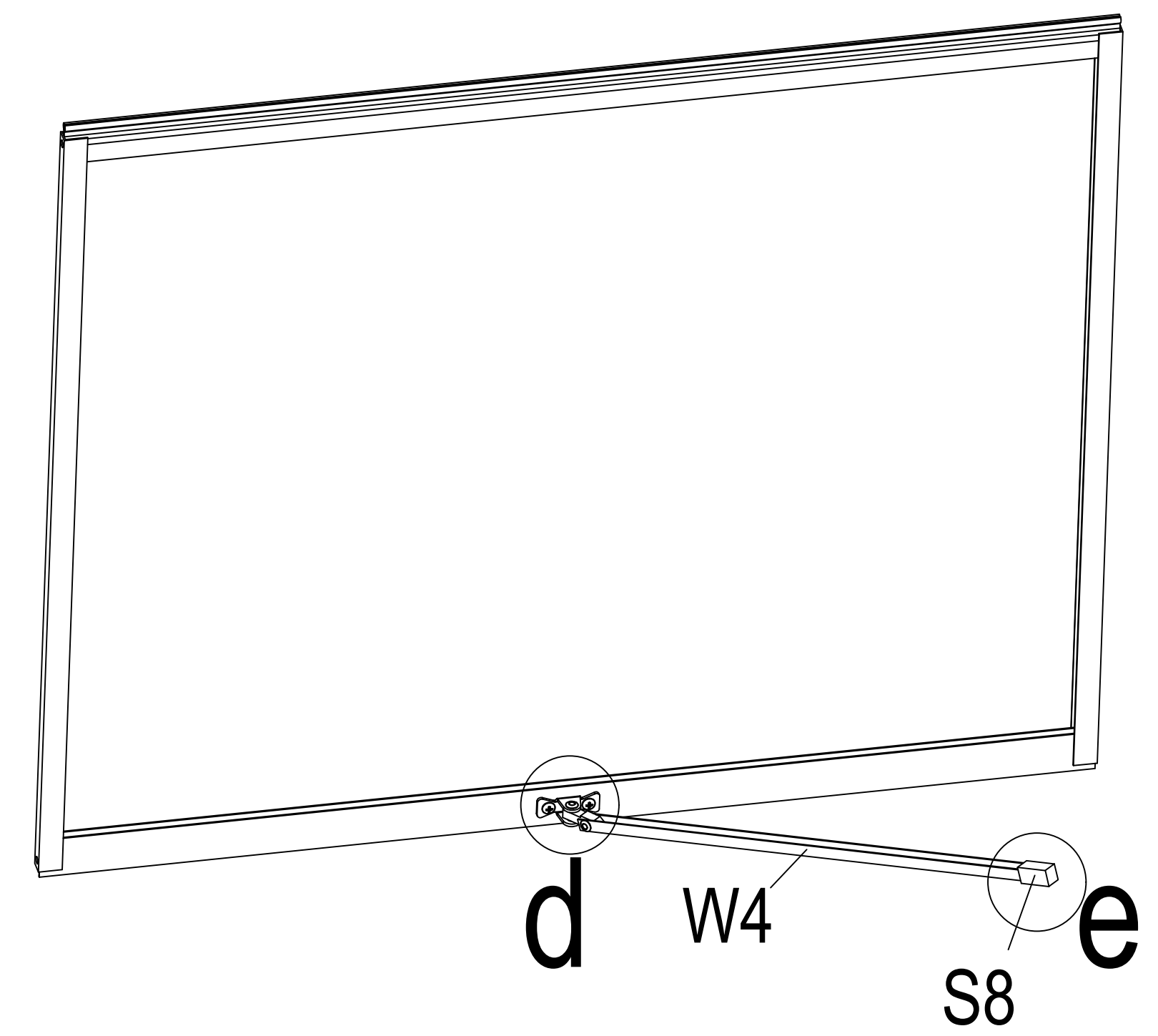
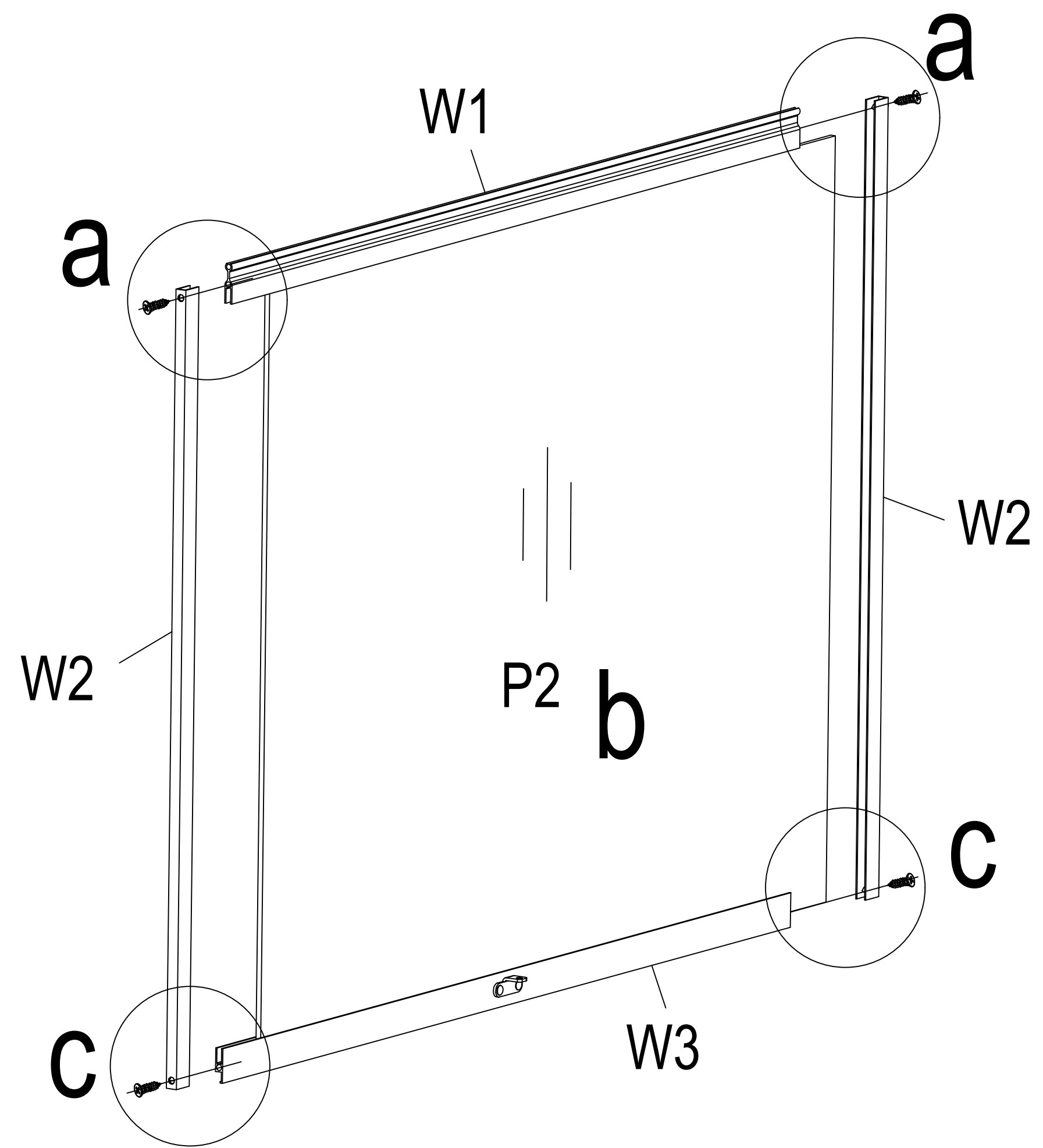
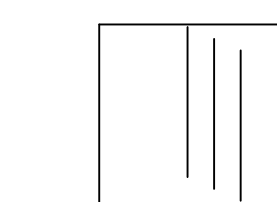
F2 x4

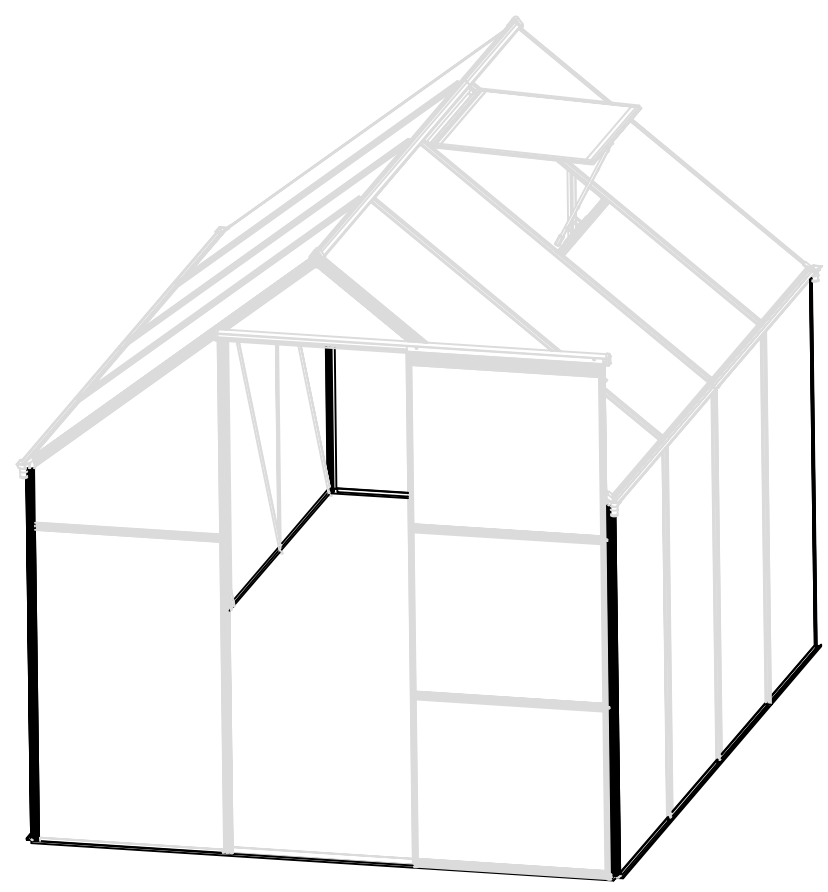


F8 x2

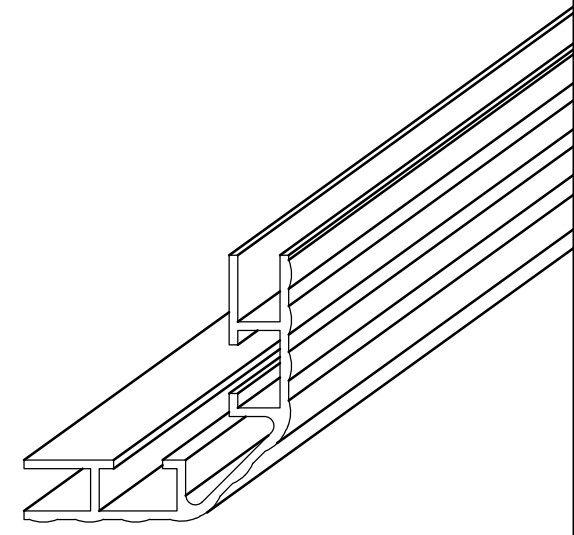


P2 x1

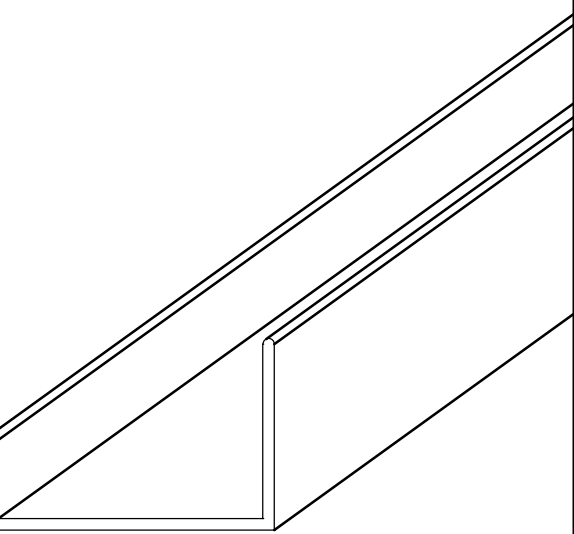




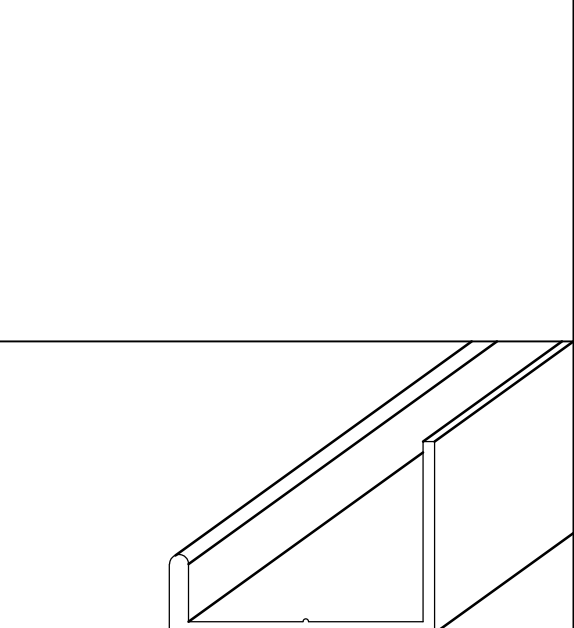
7x4



5x1

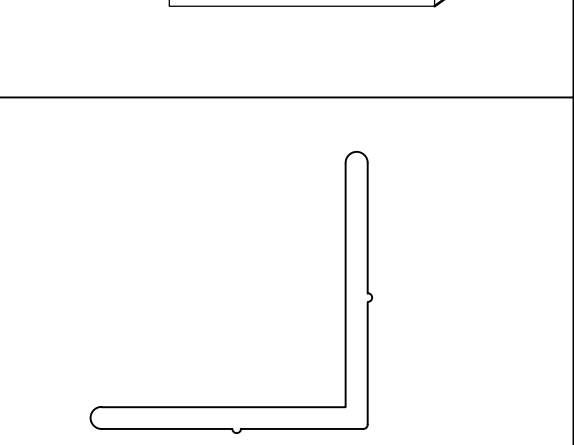


4x2

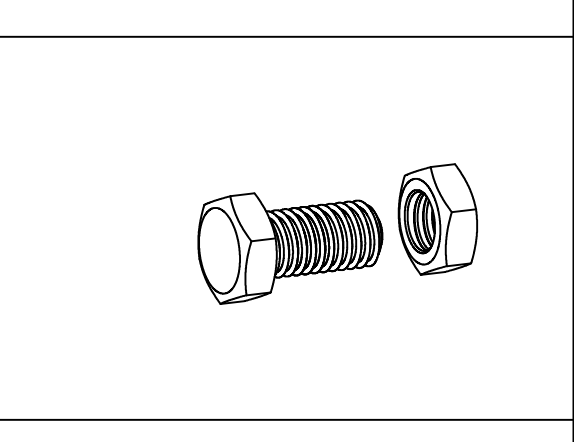


4-1x2

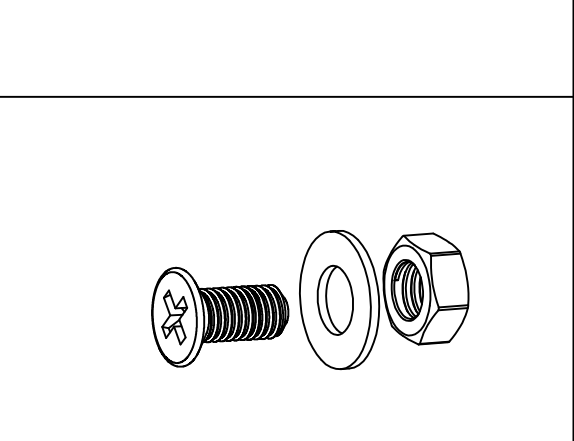
6x1



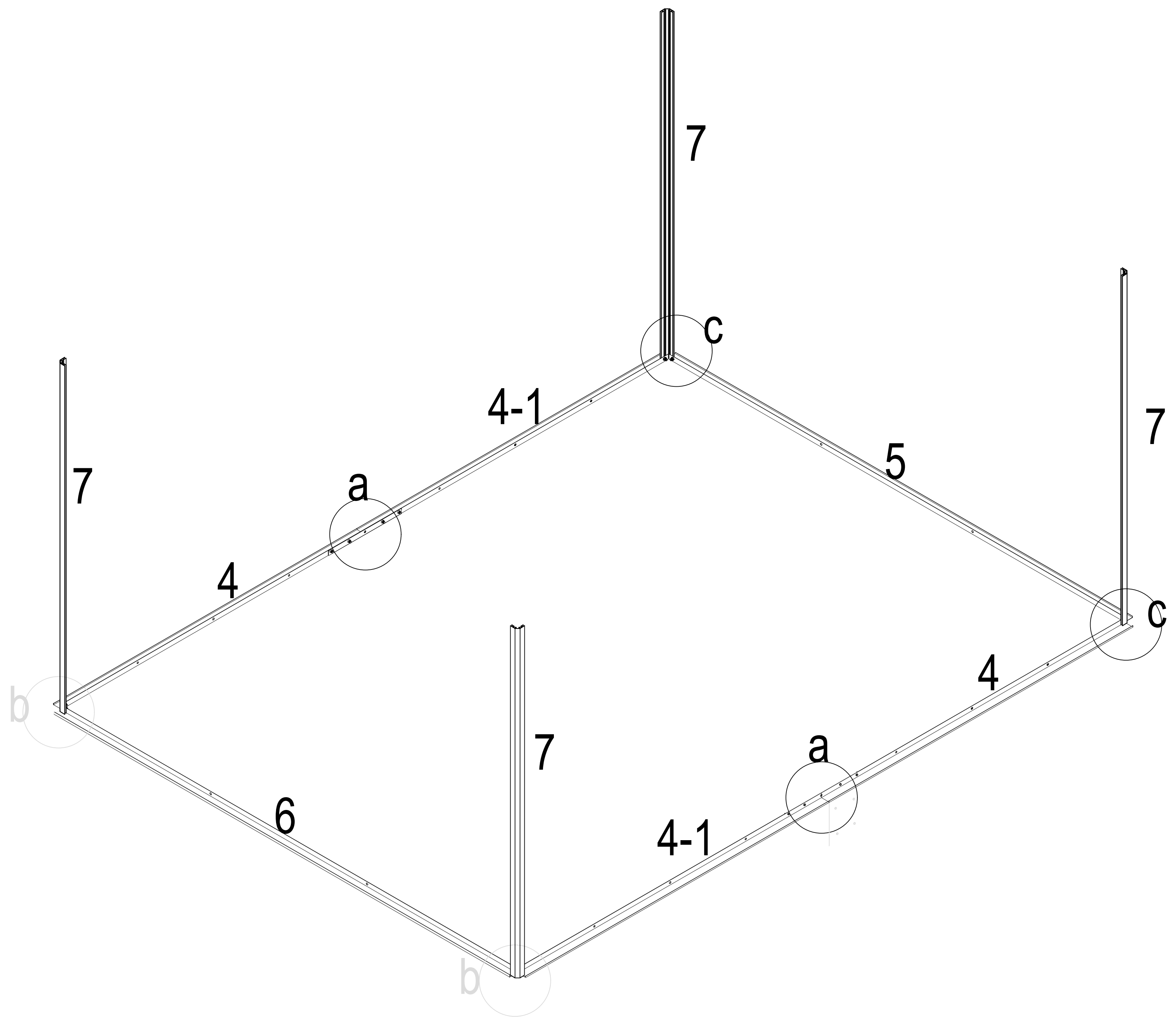
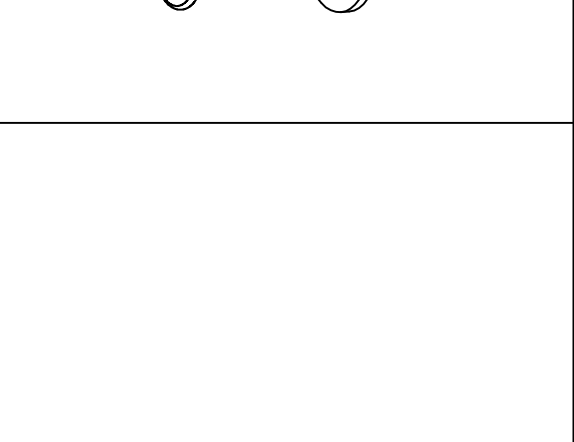
B10x2



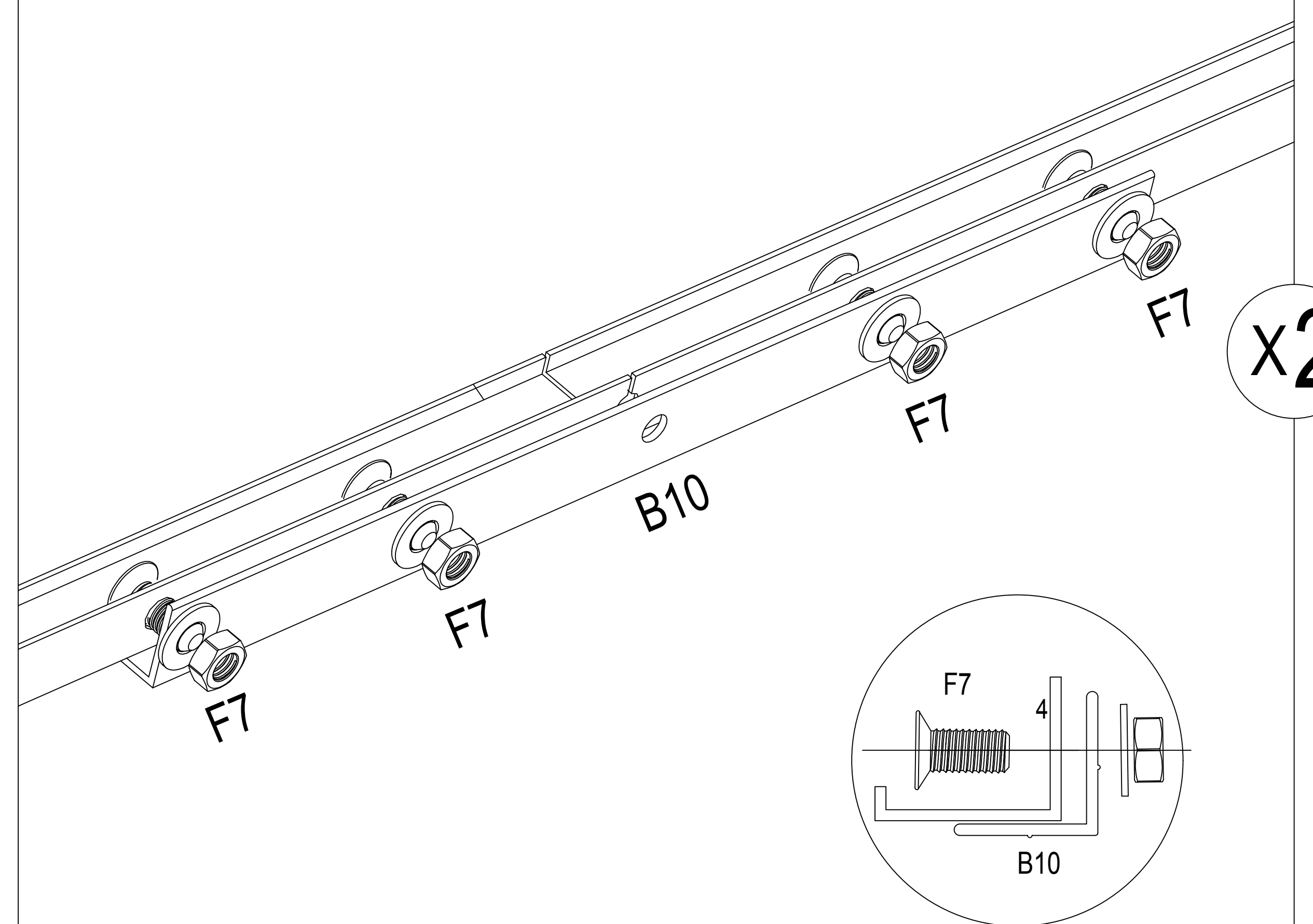
F4x8



F7x8

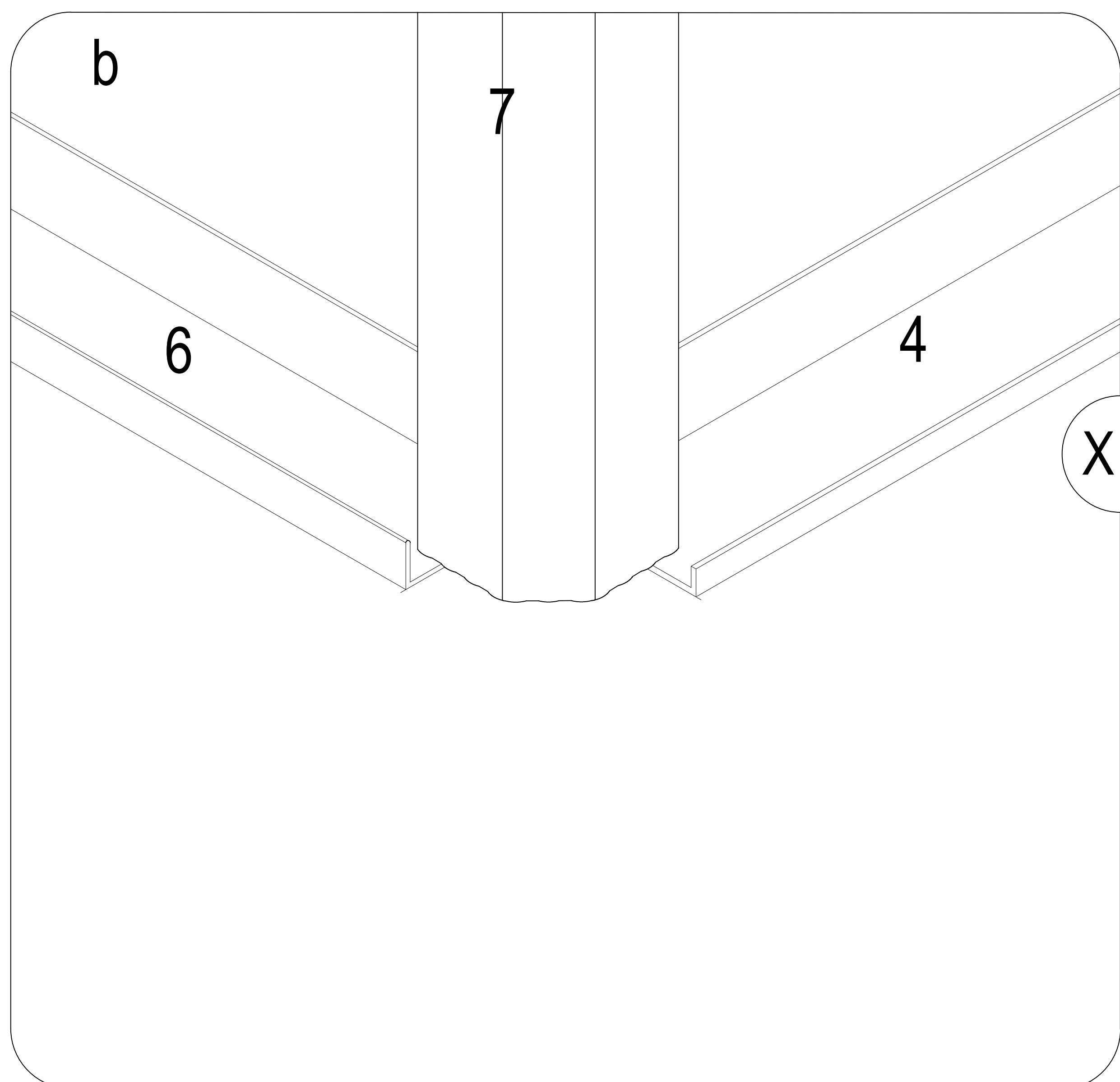


a



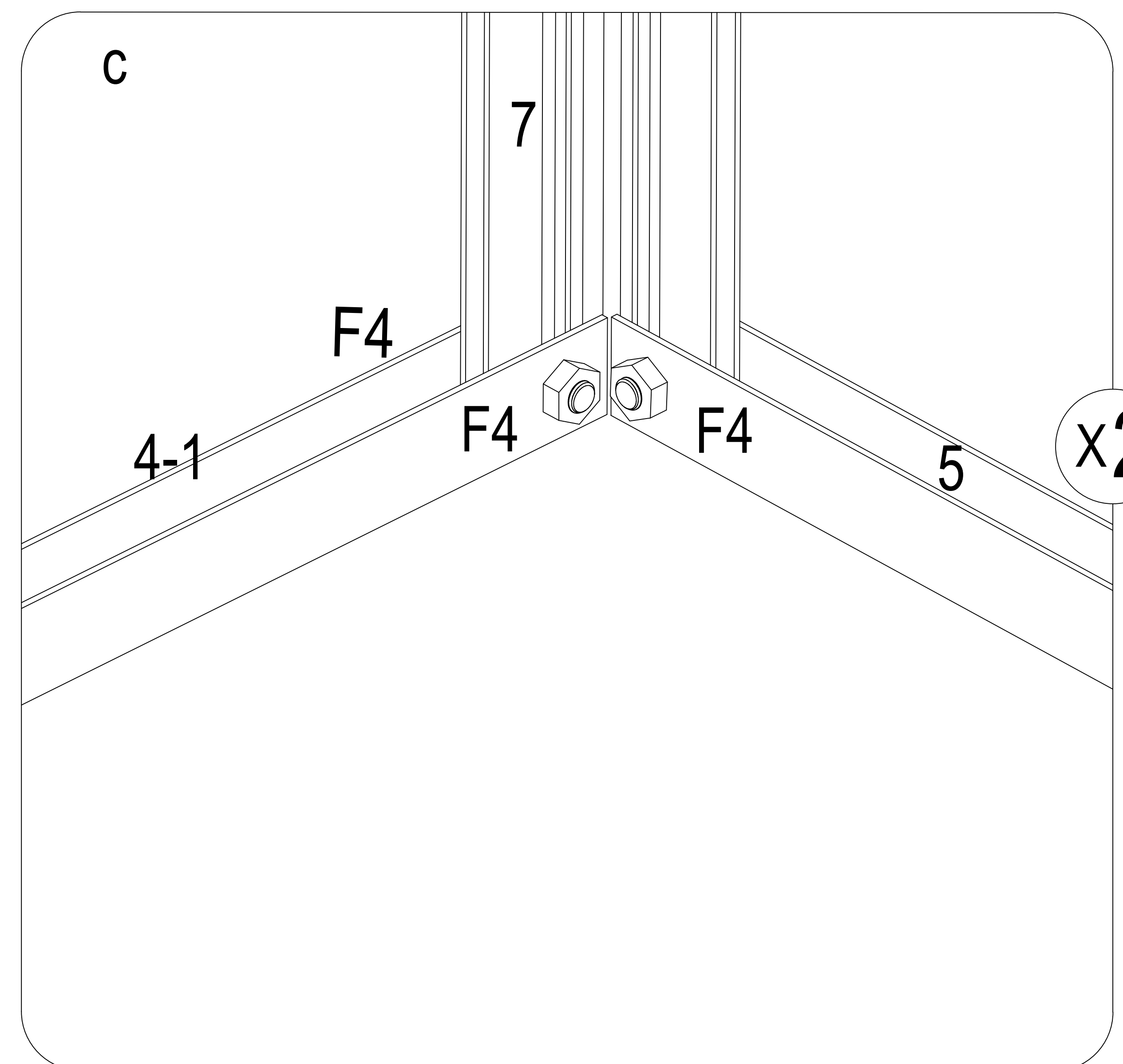
x2

b

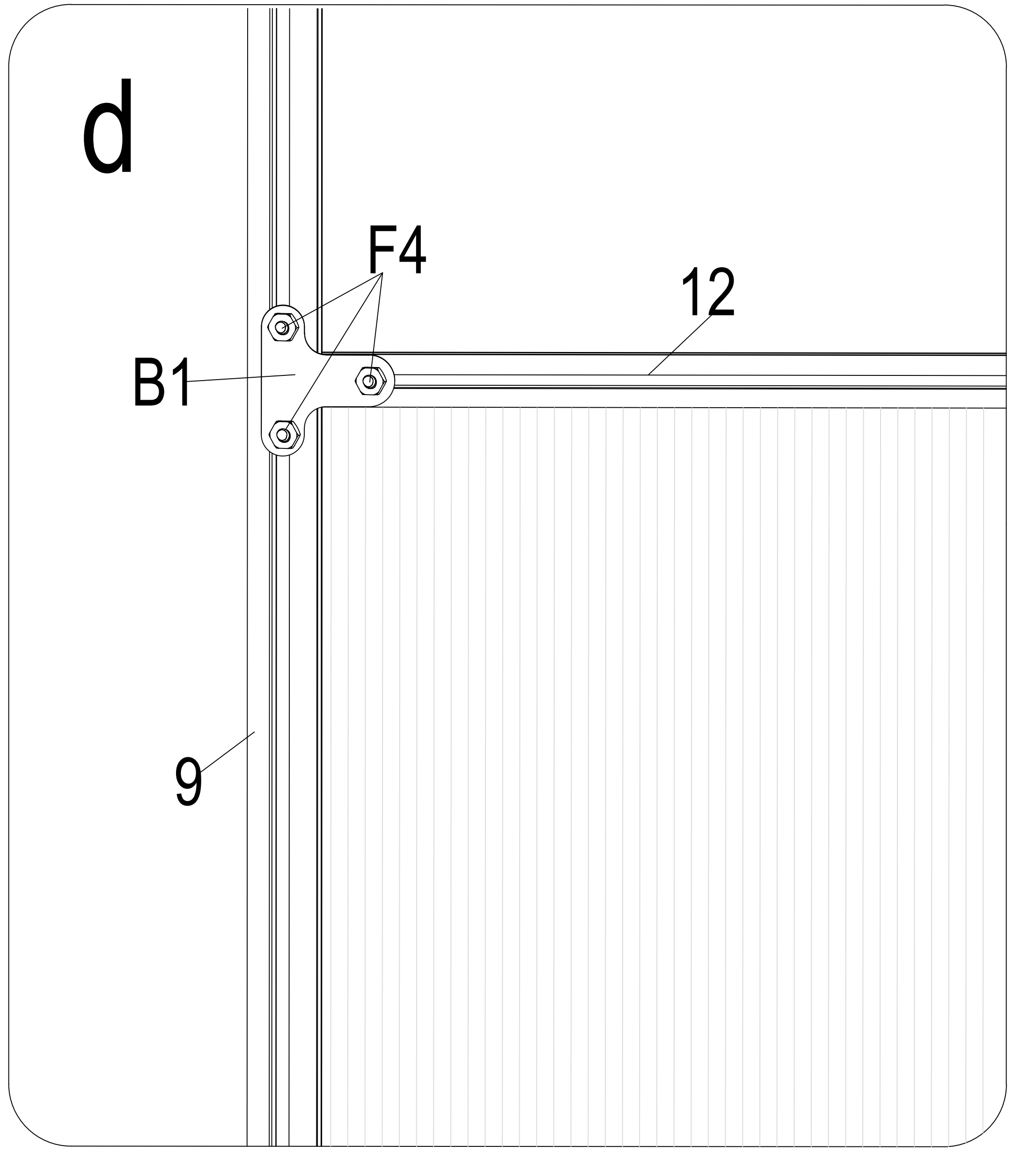
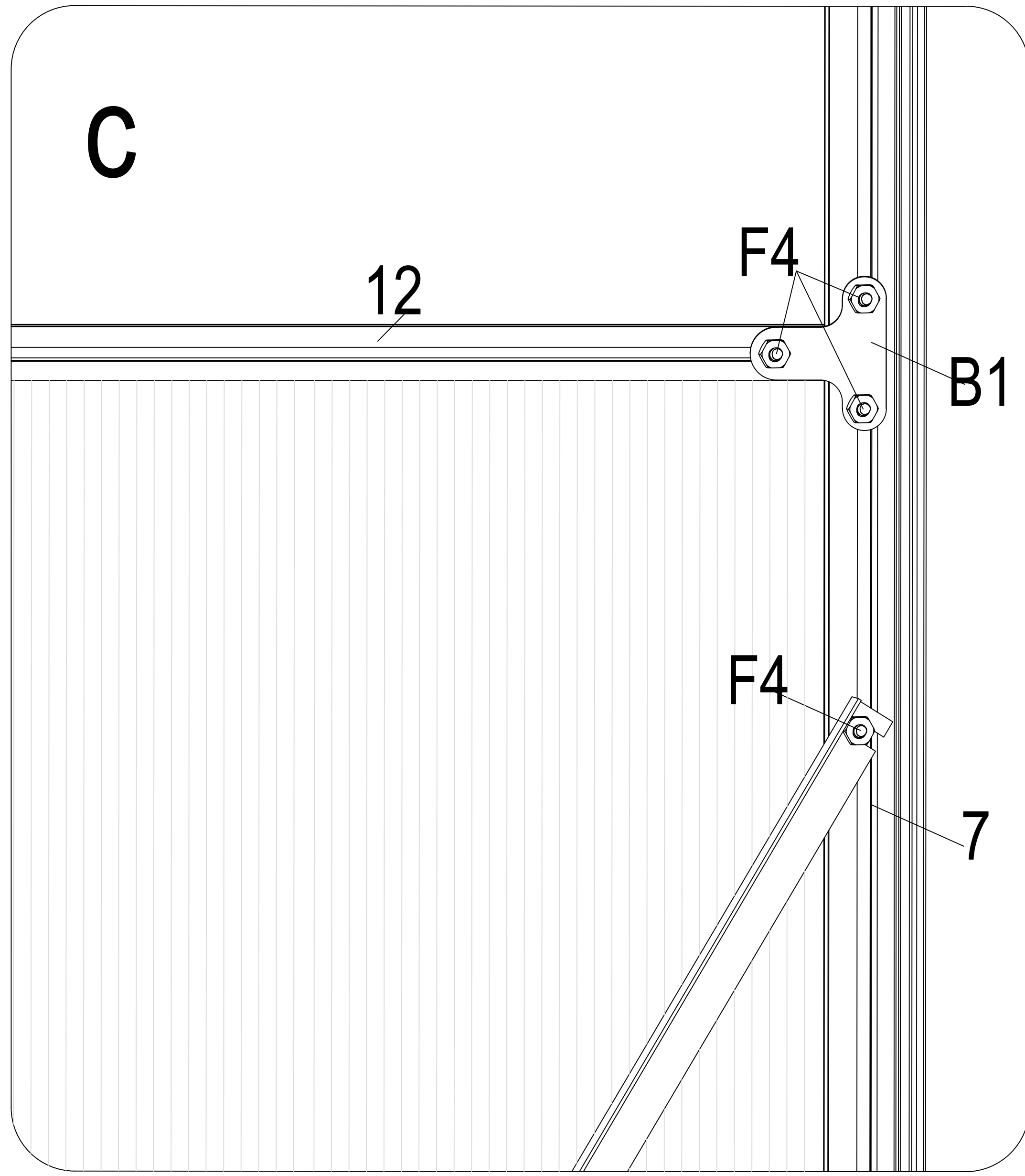
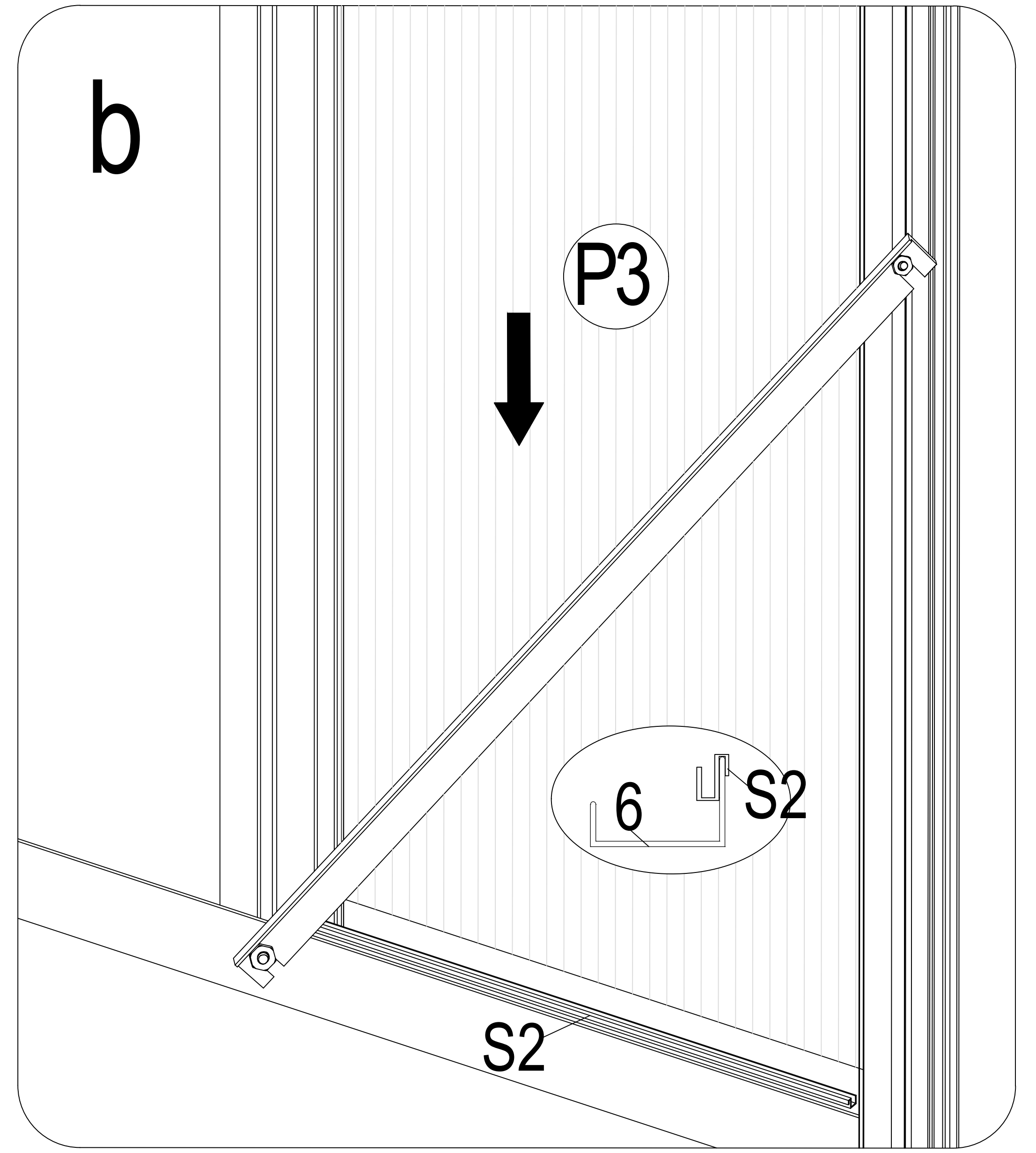
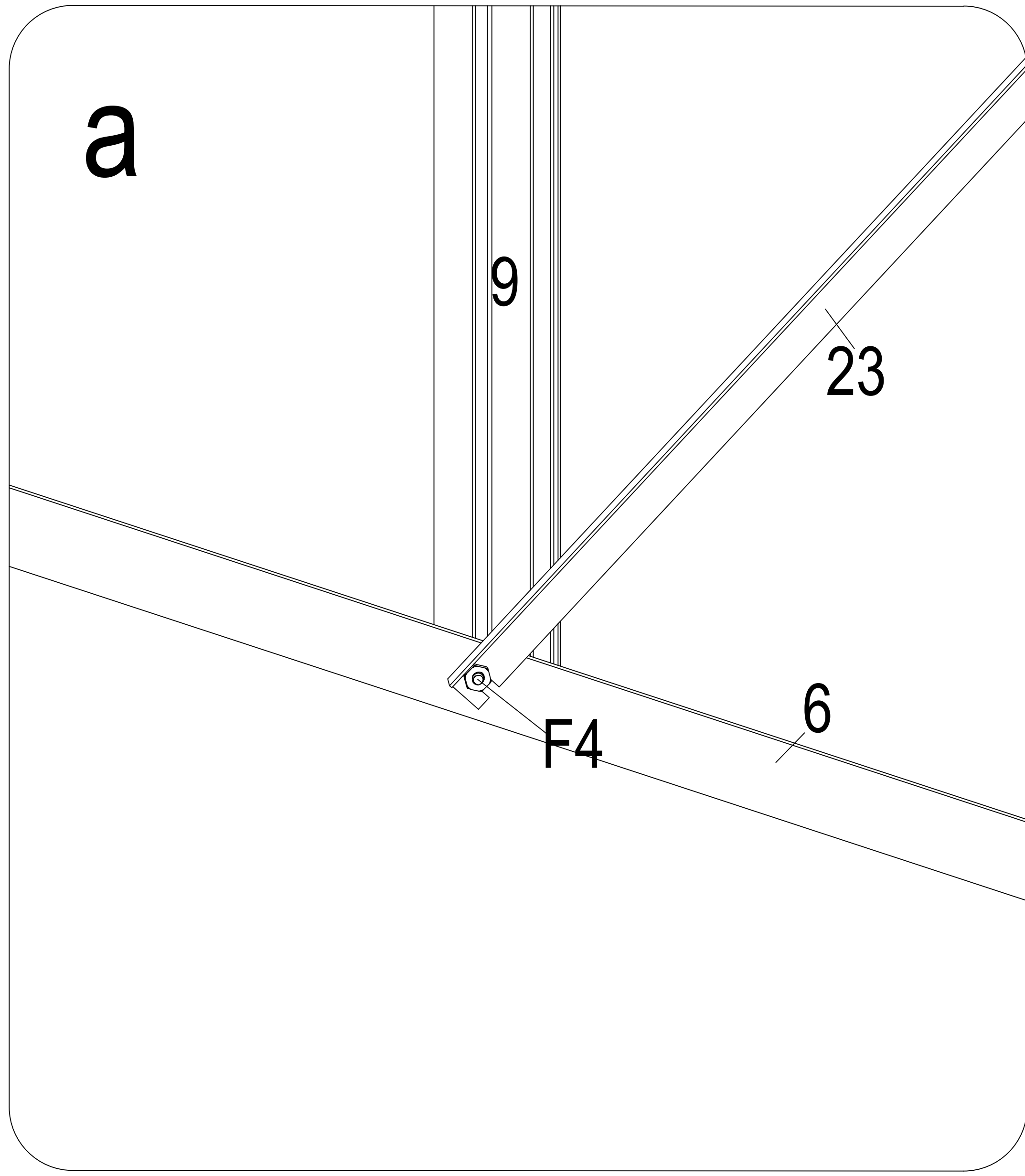
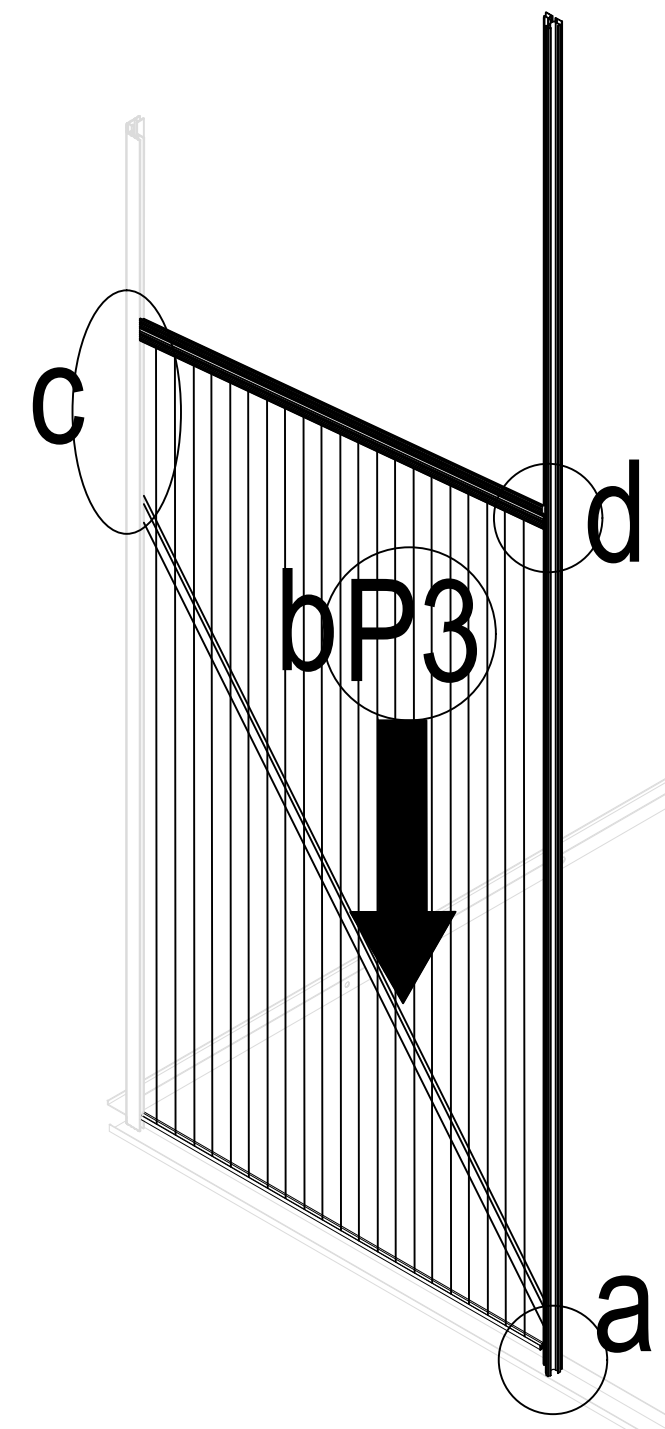
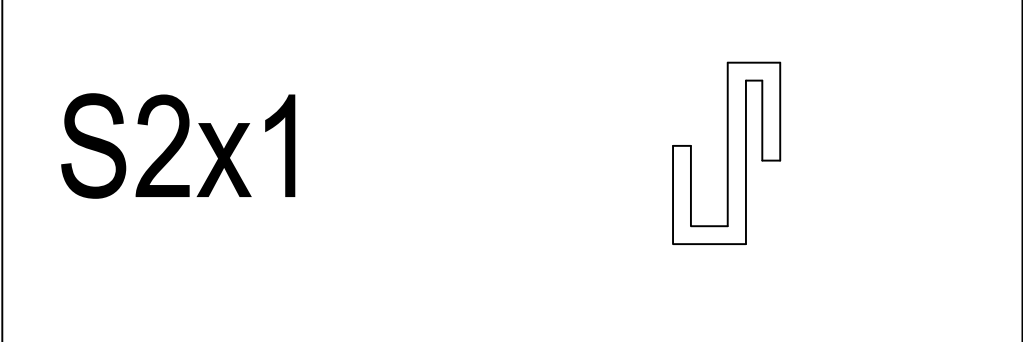
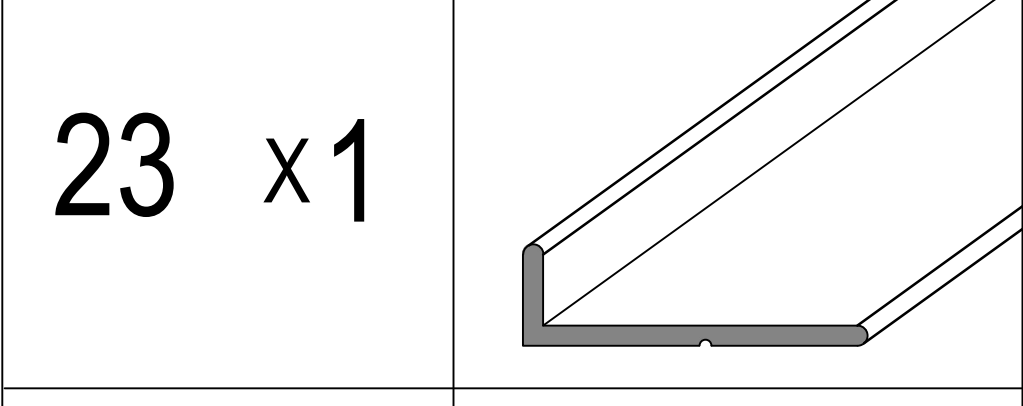
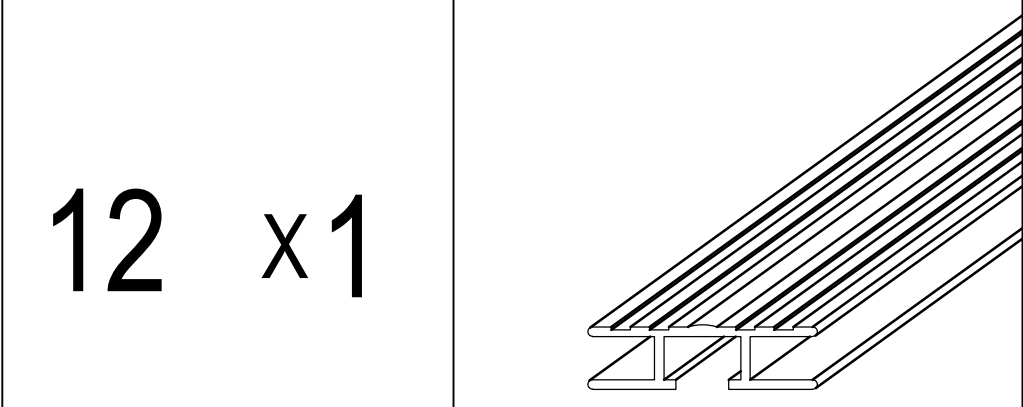
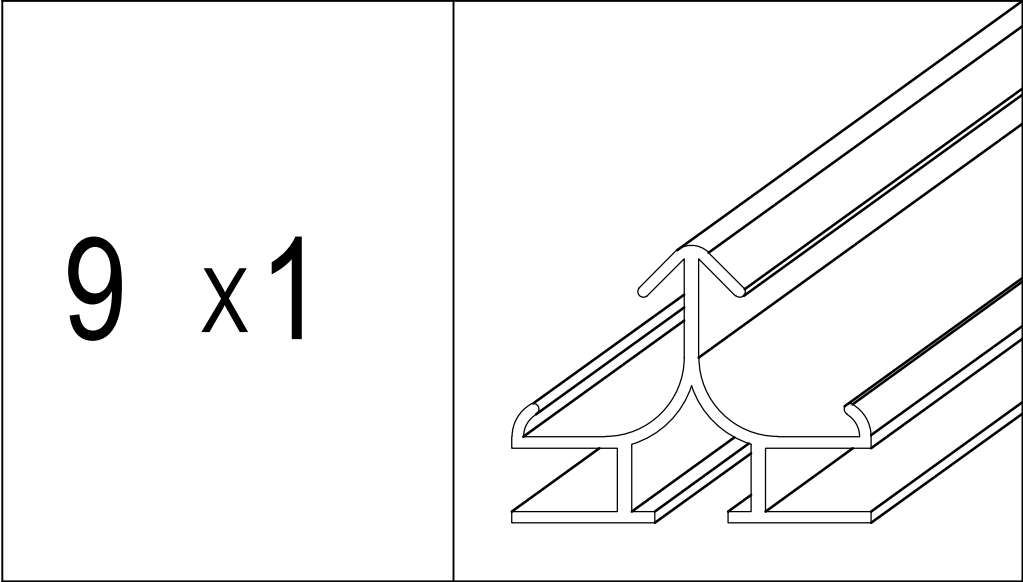
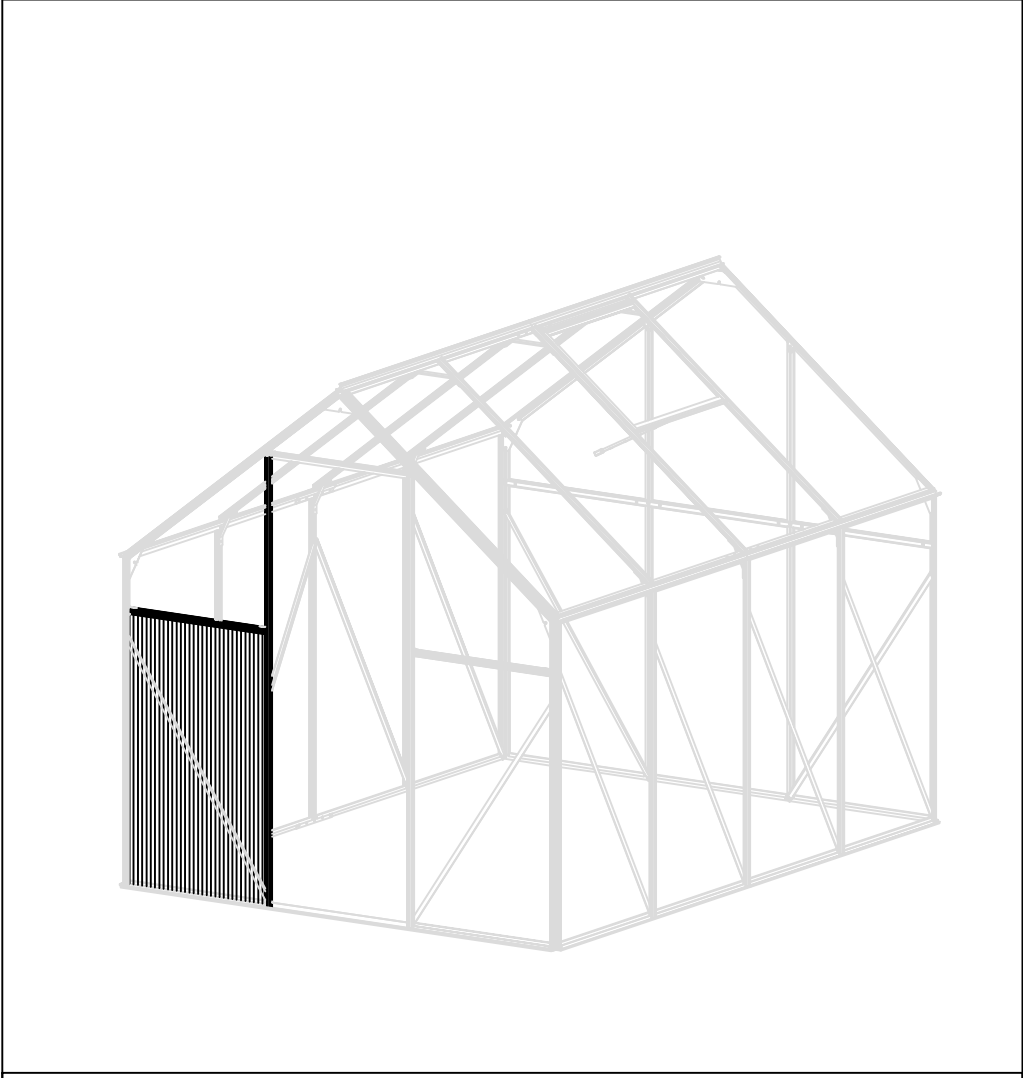


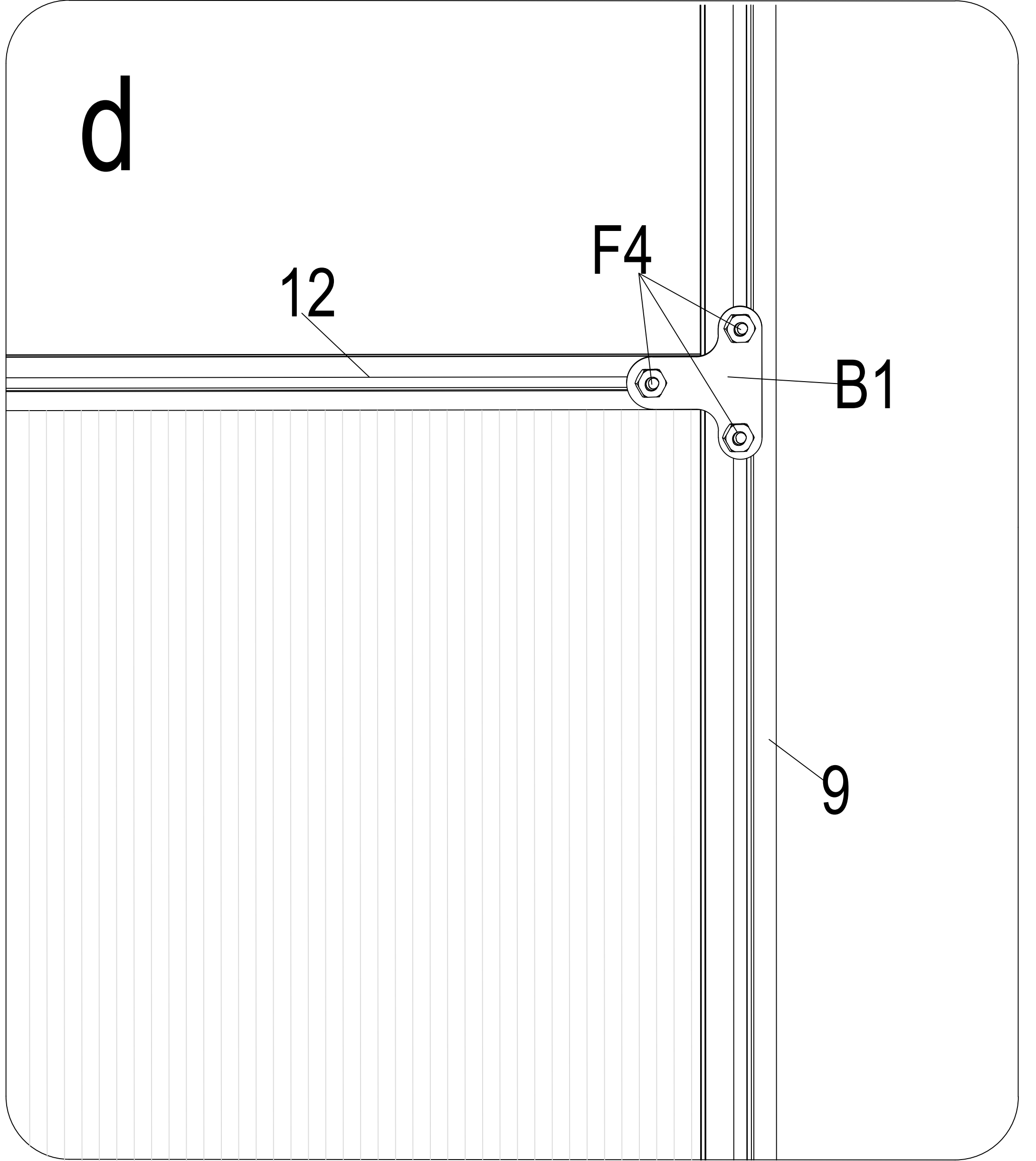
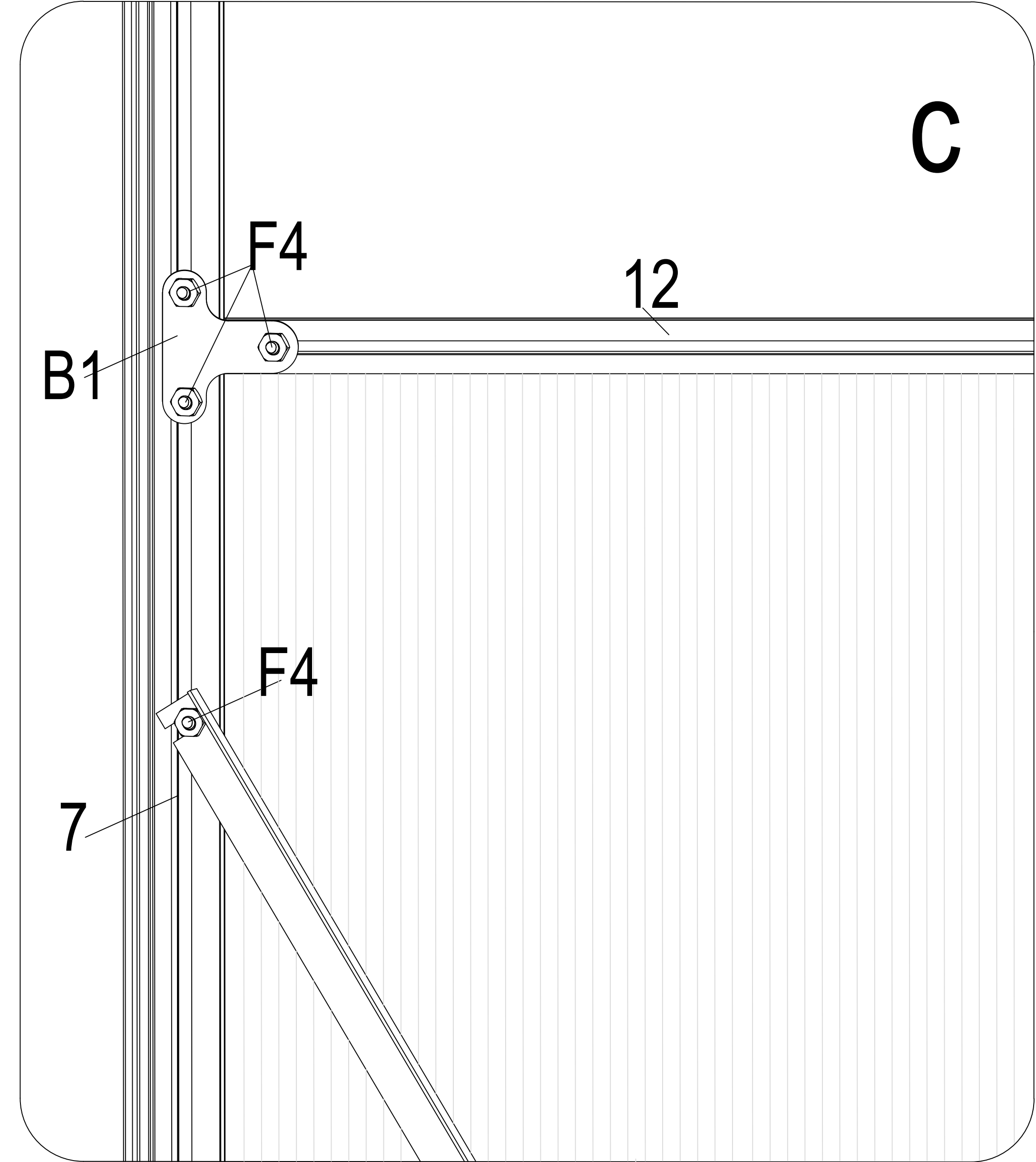
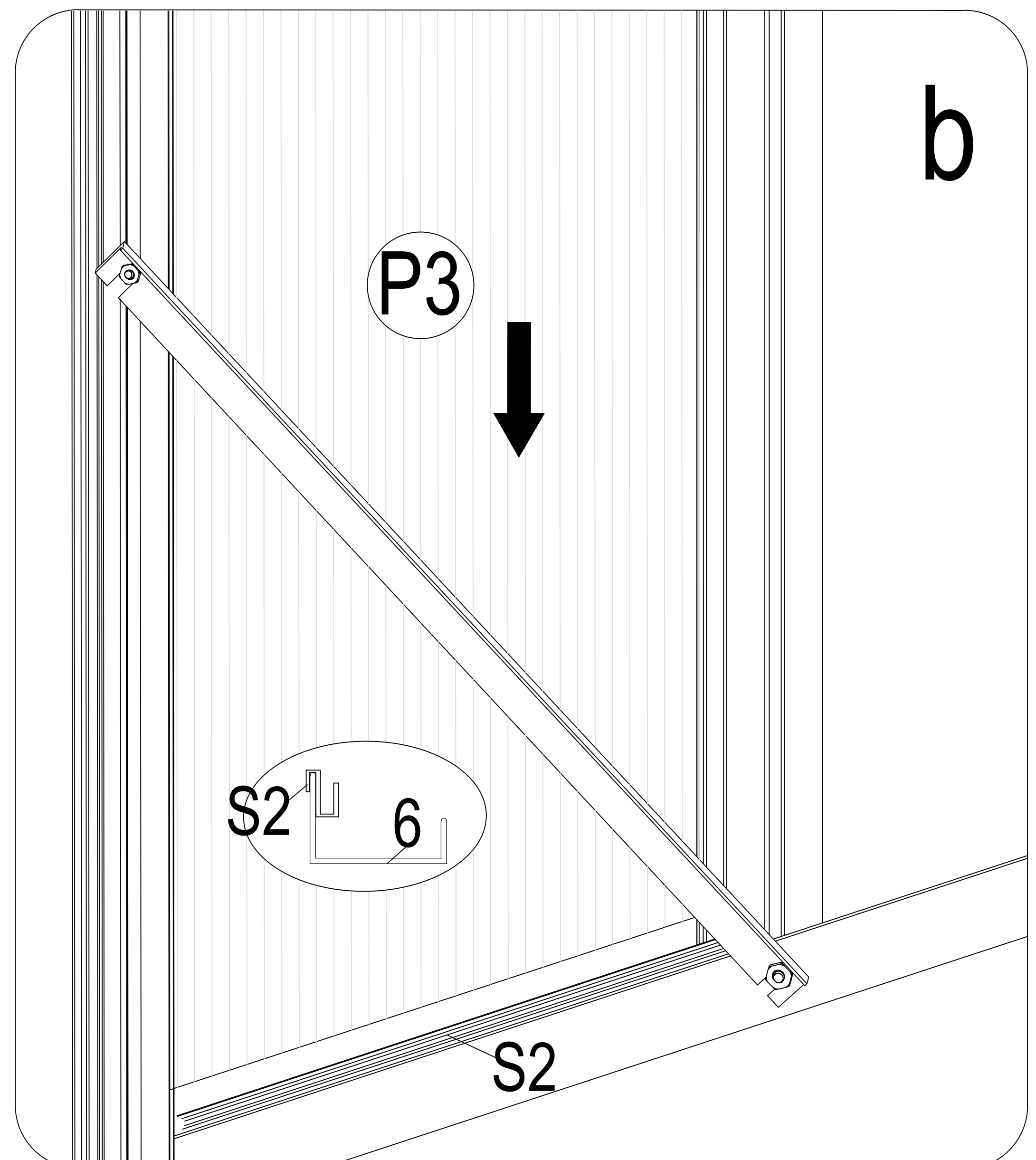
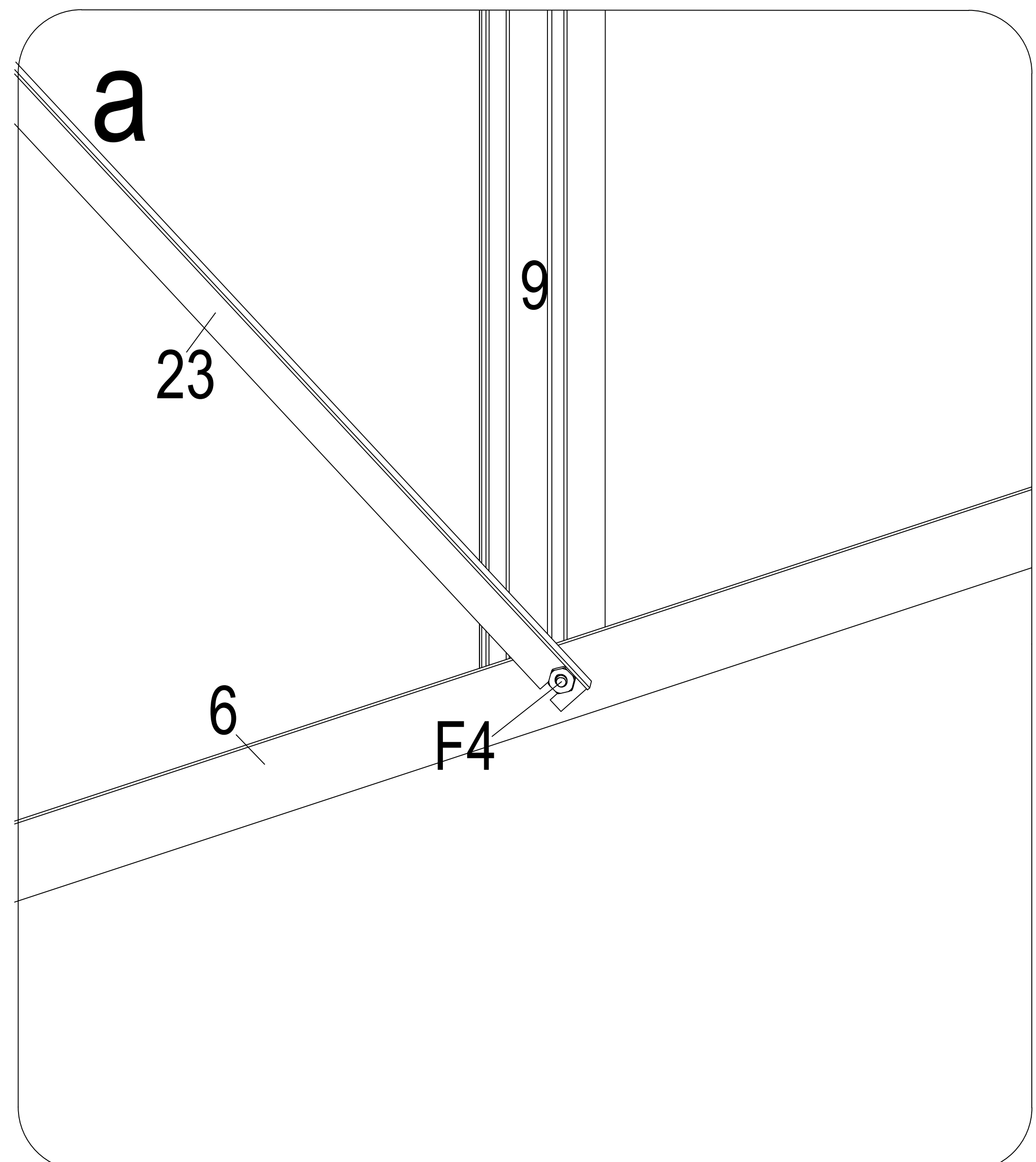
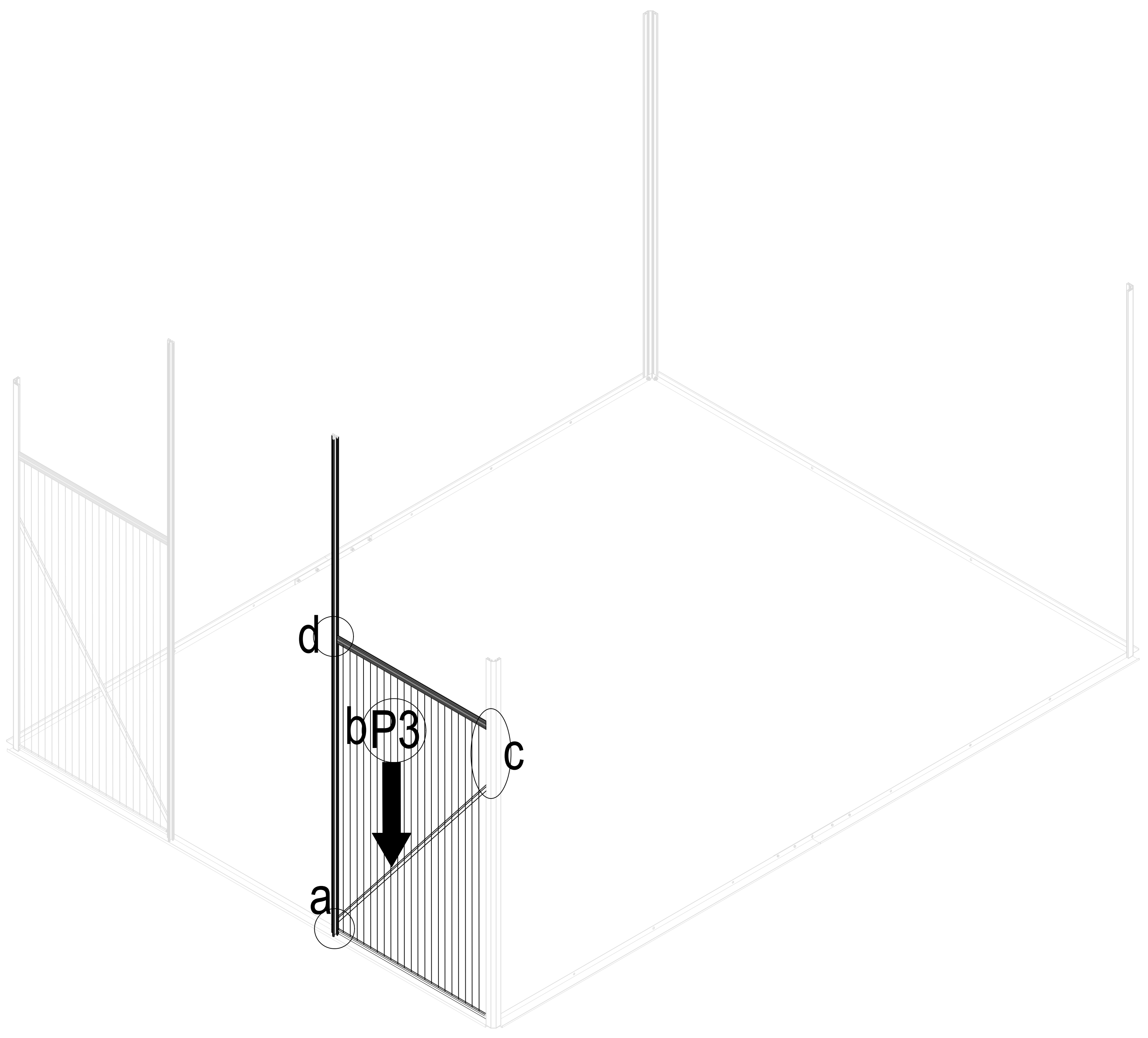
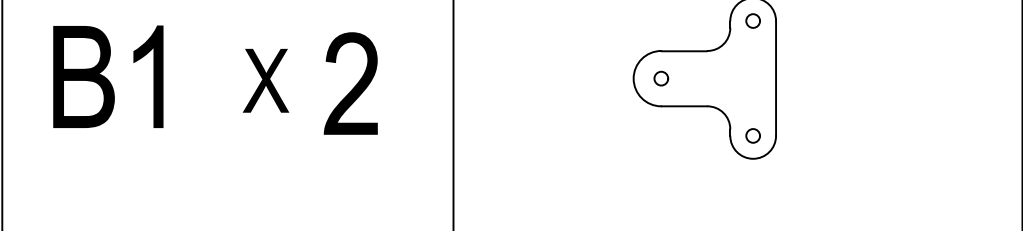
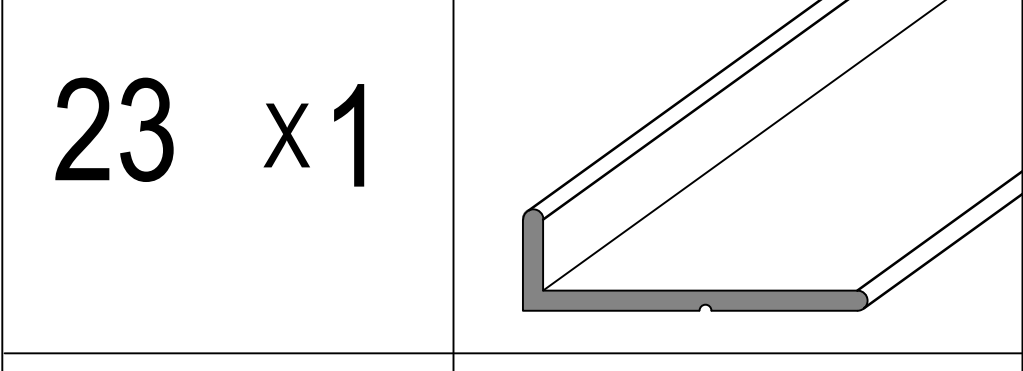
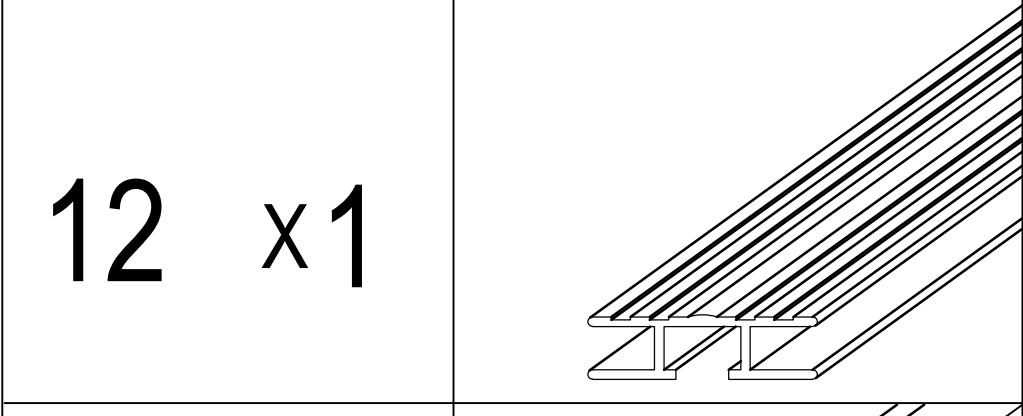
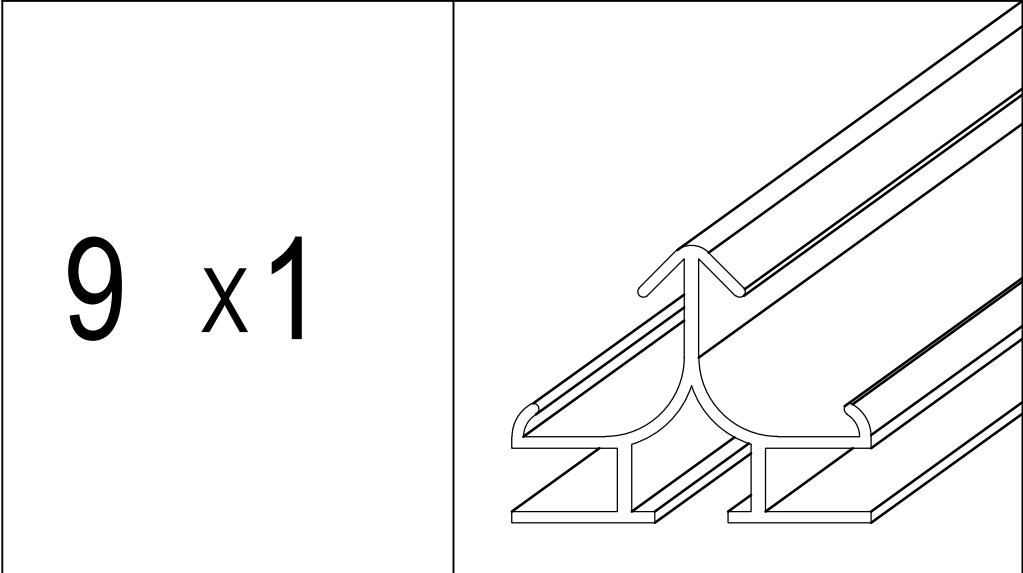
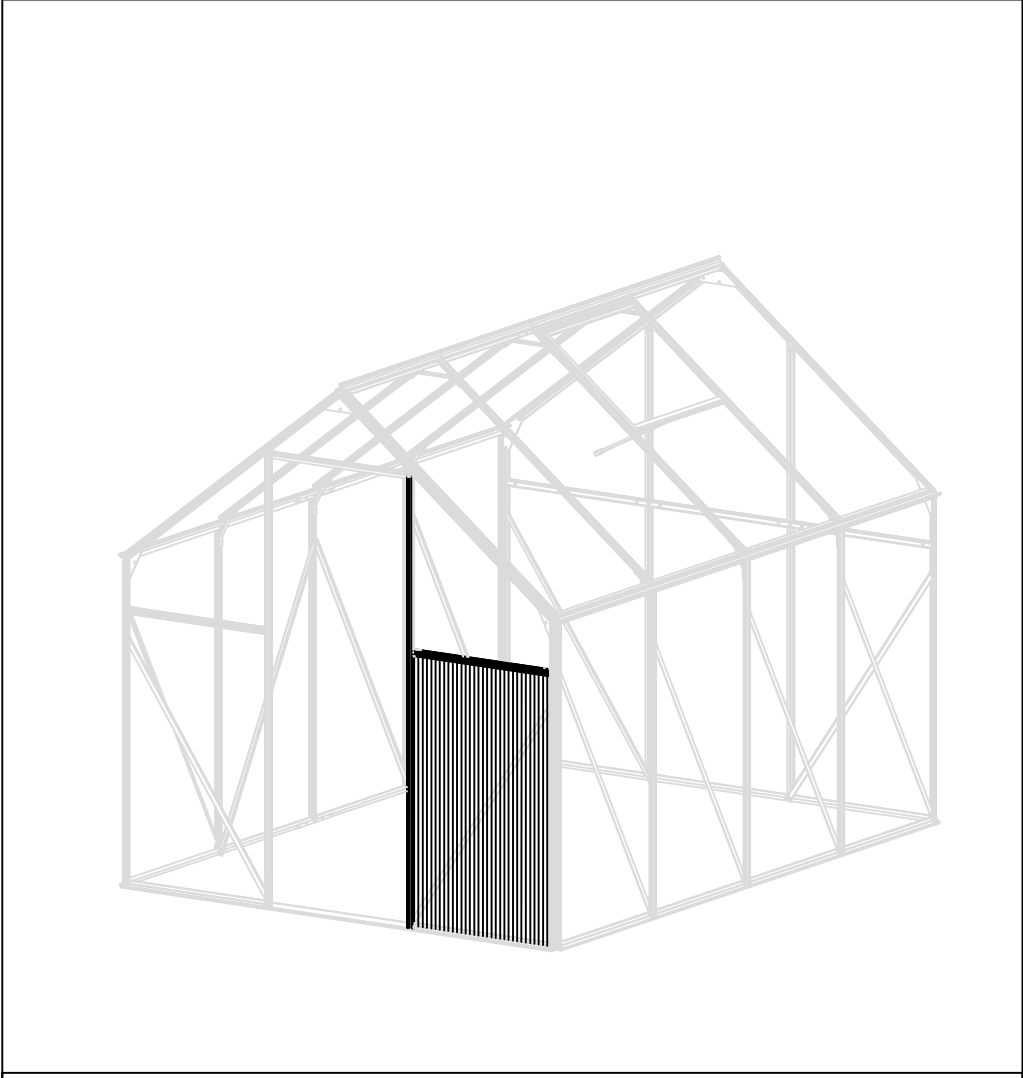
x2

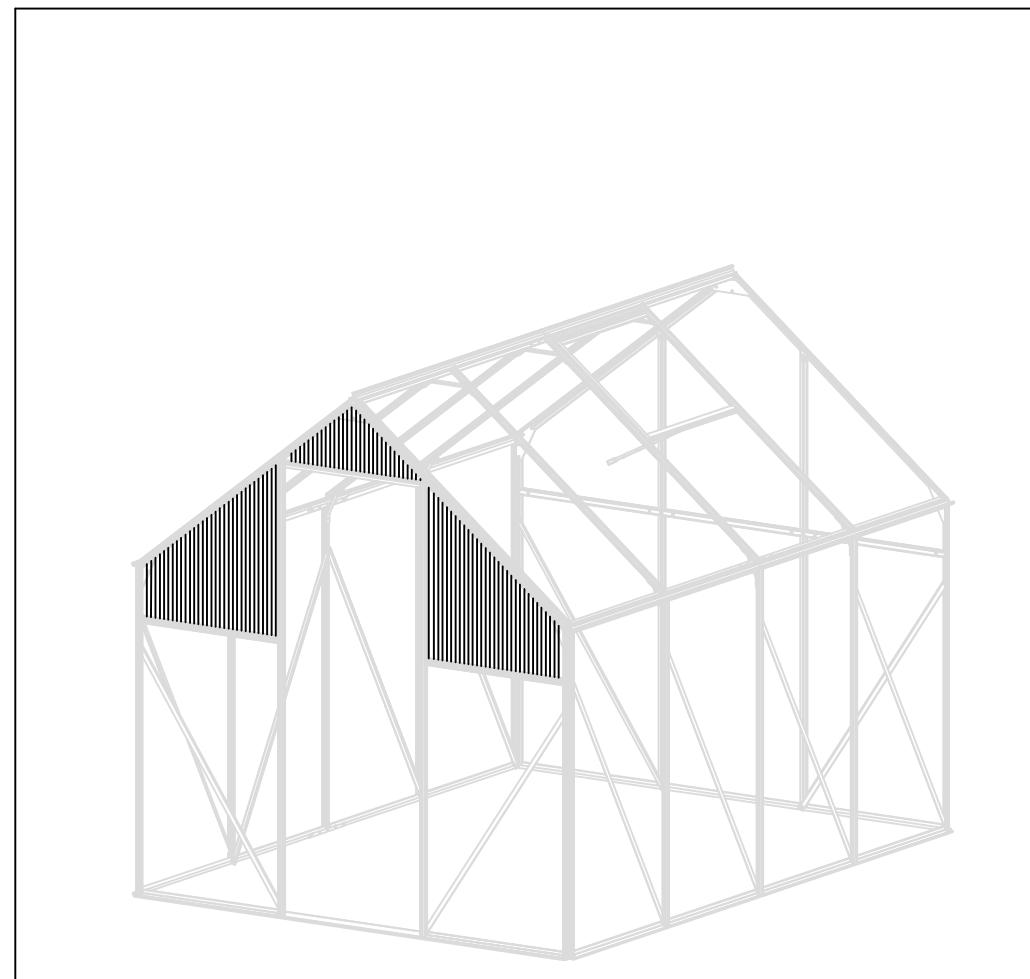
c



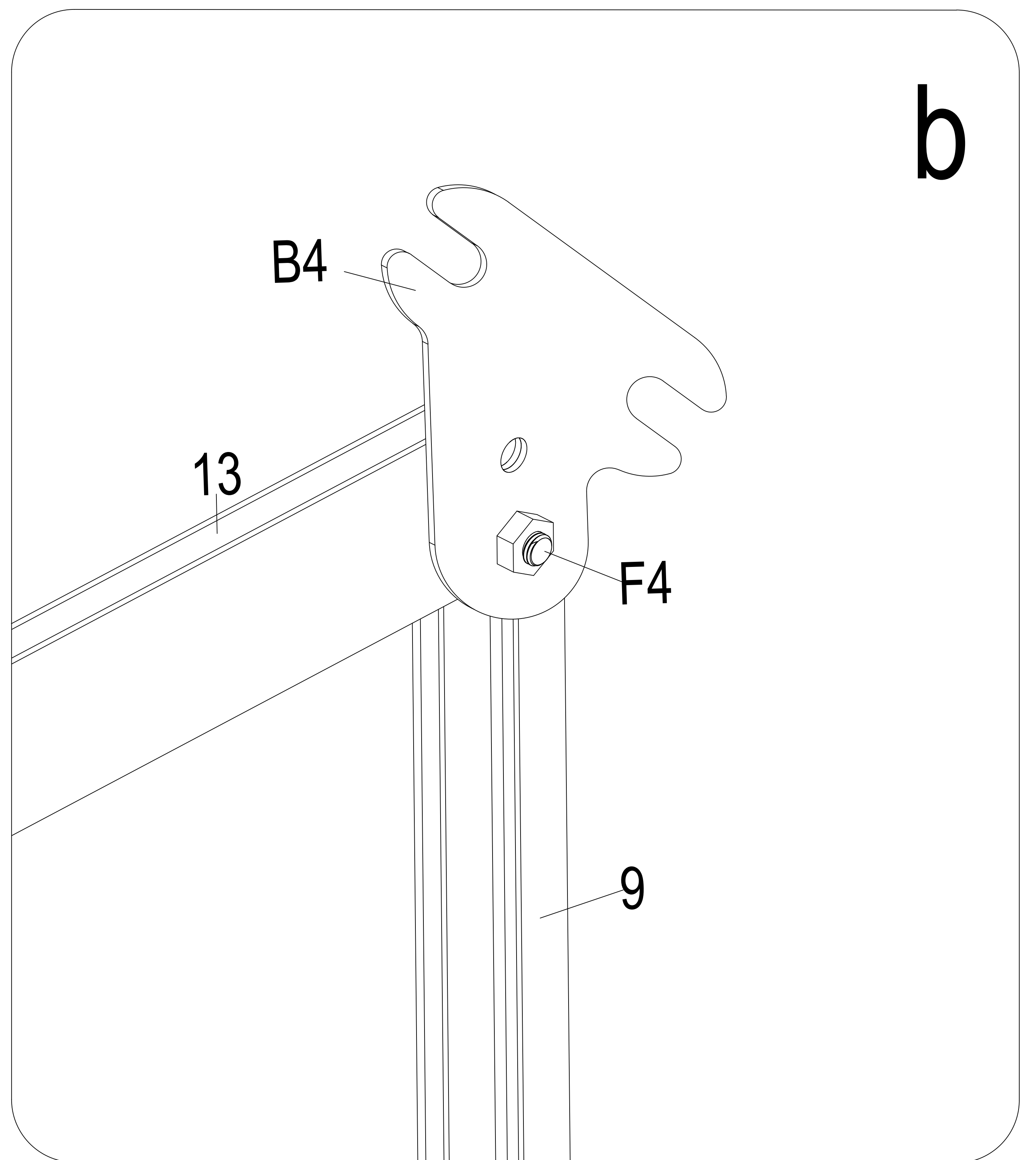
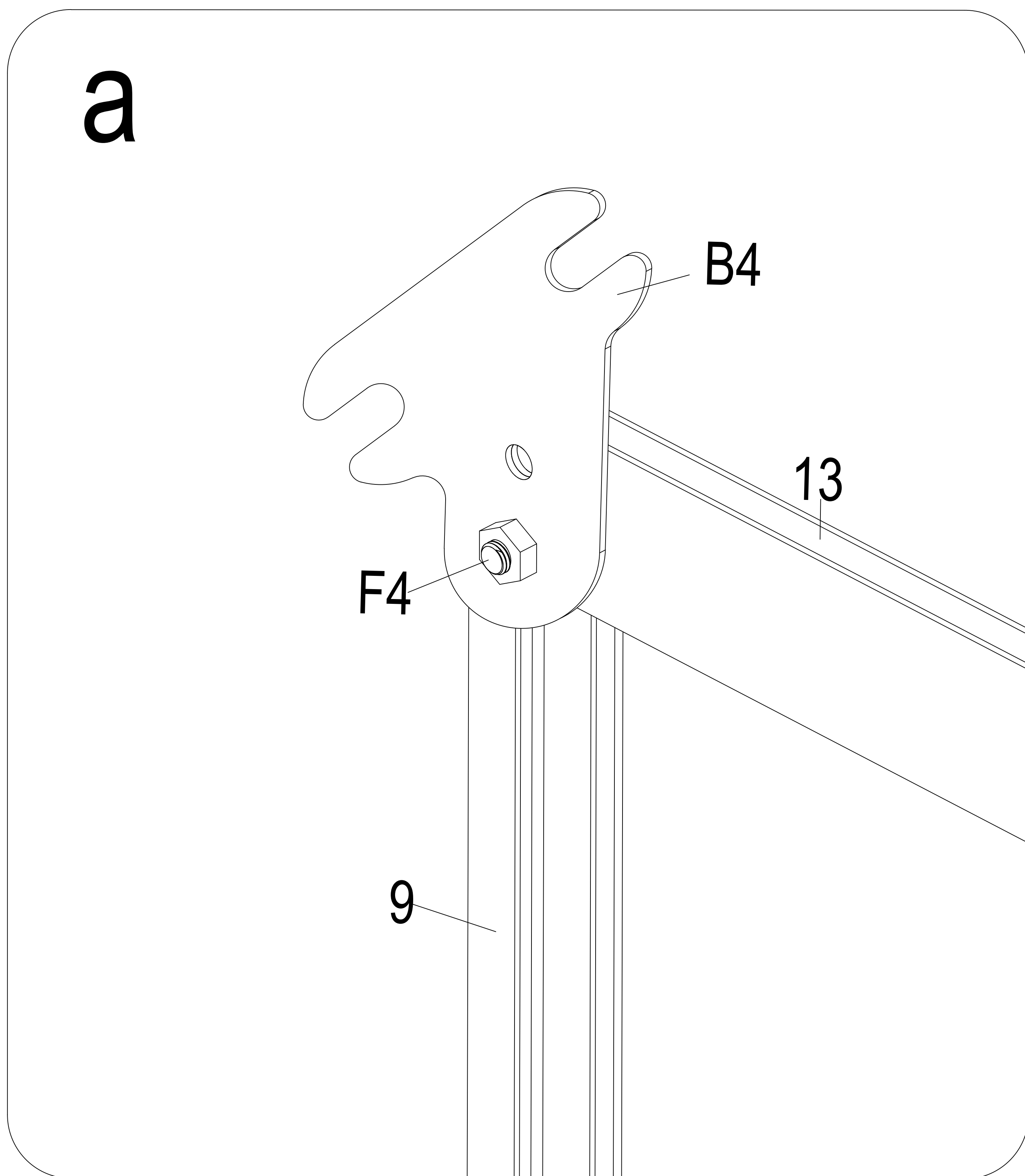
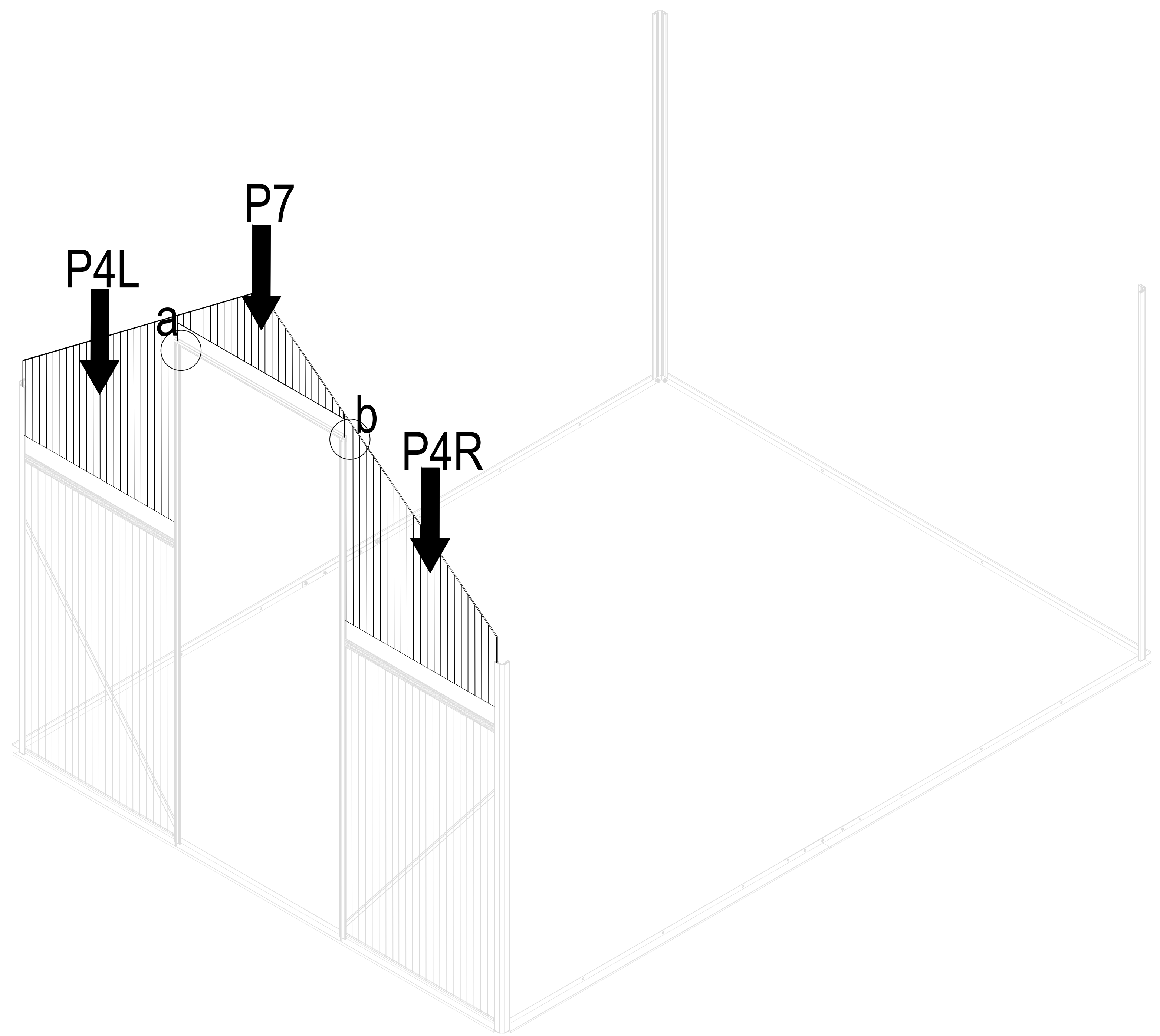
x2

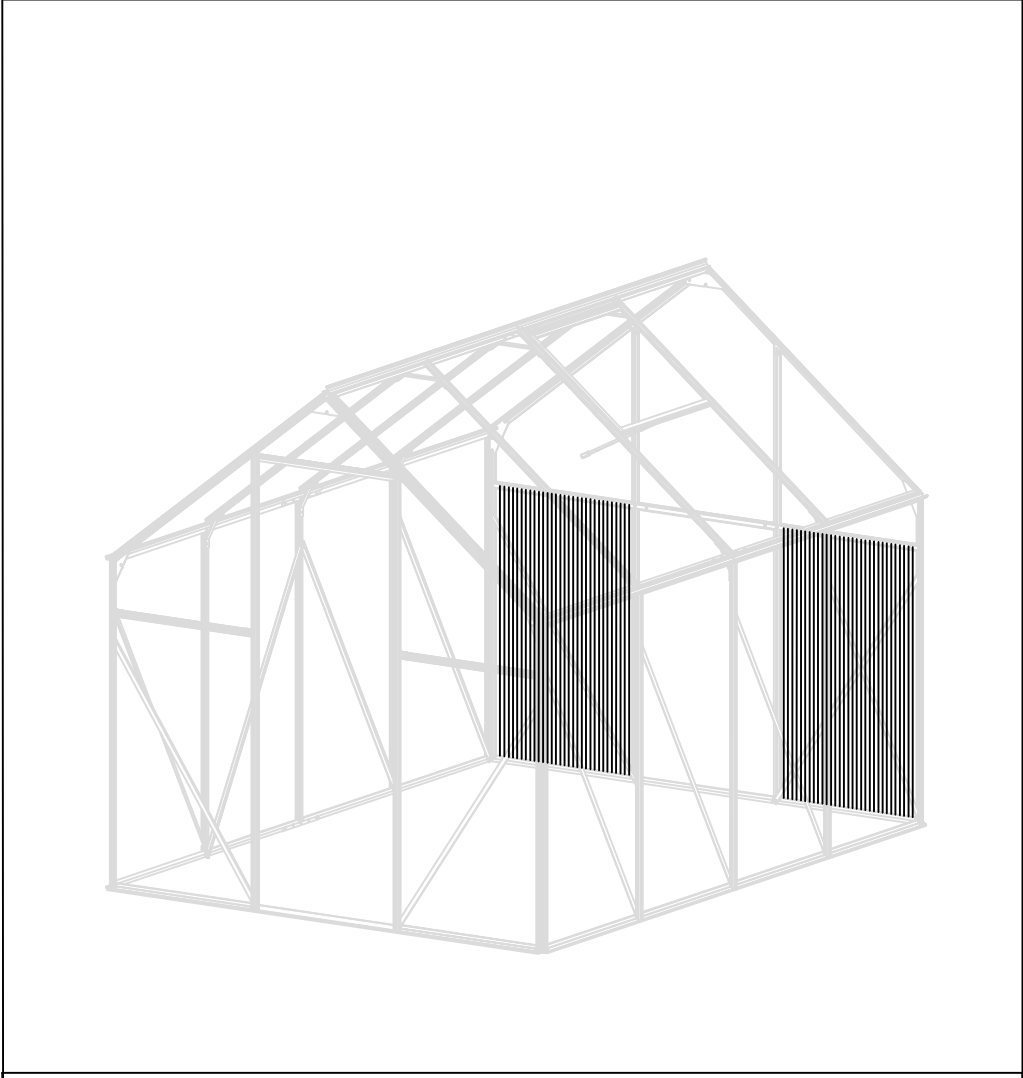


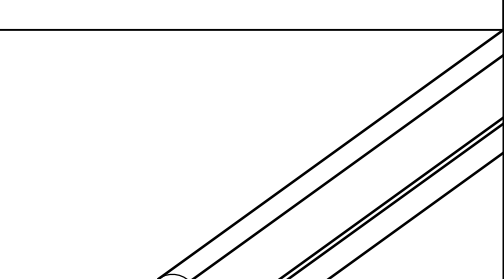
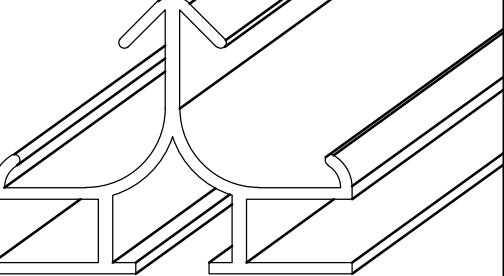
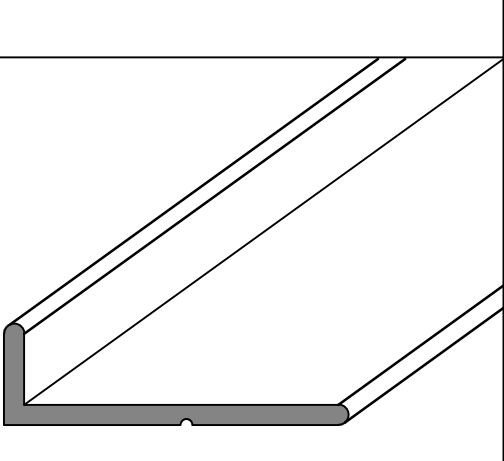
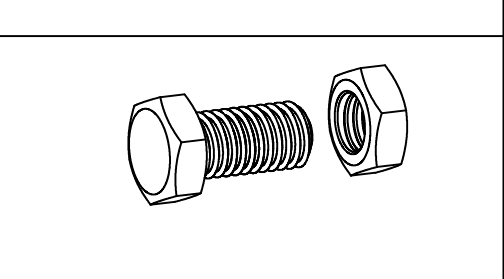
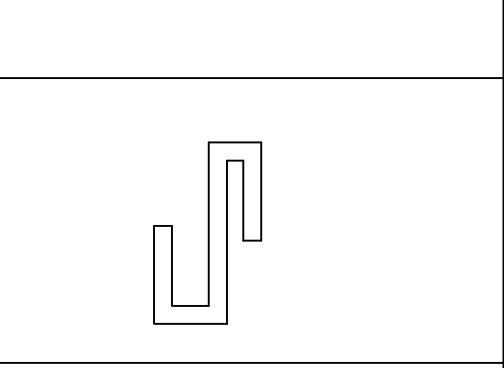
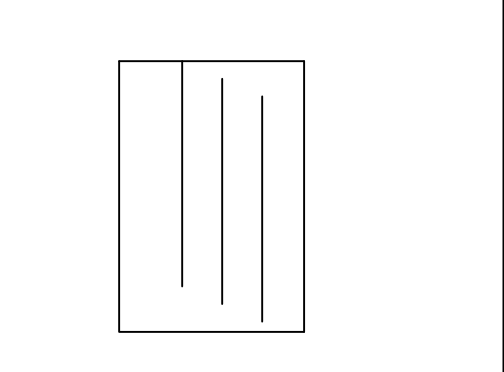


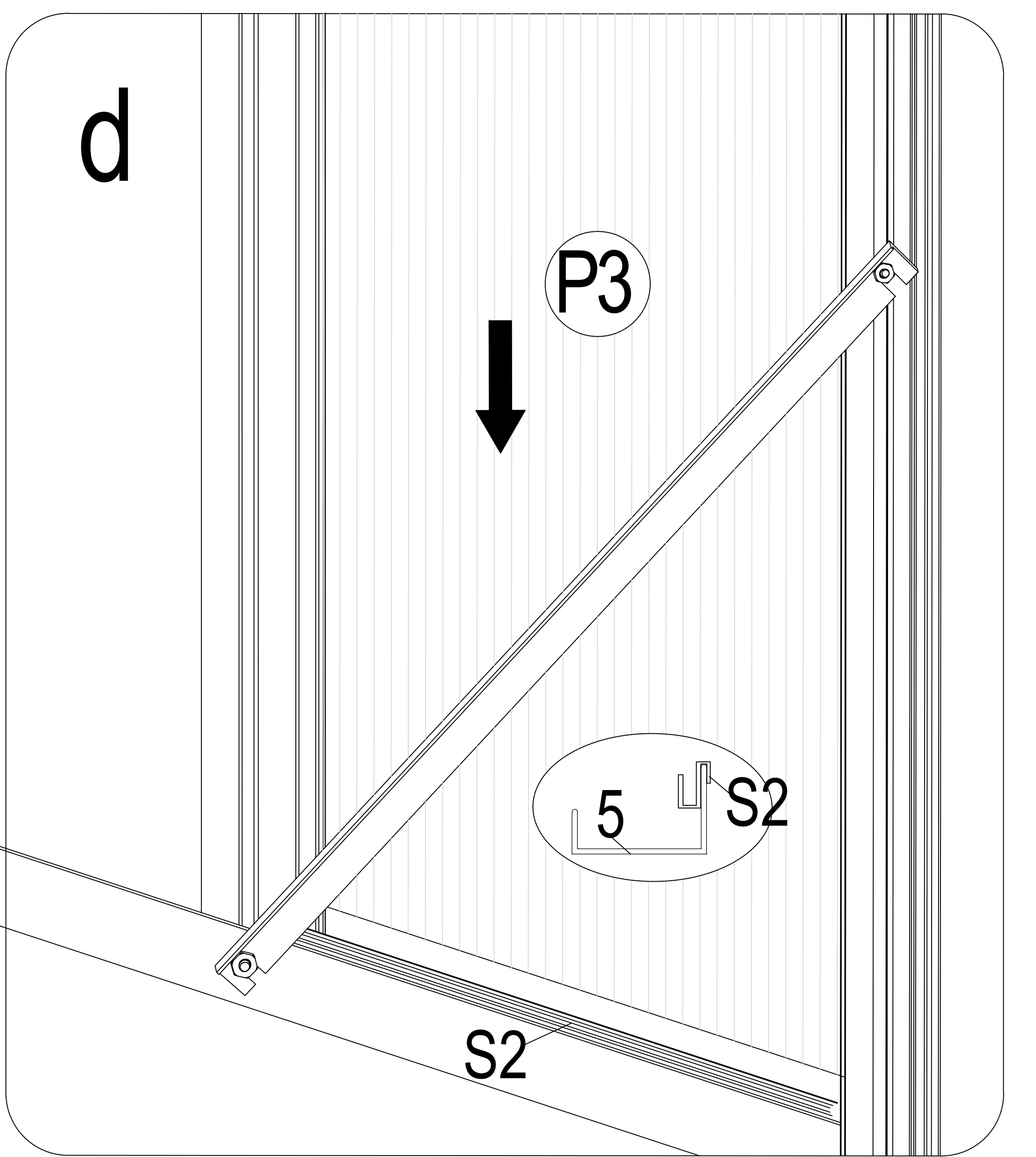
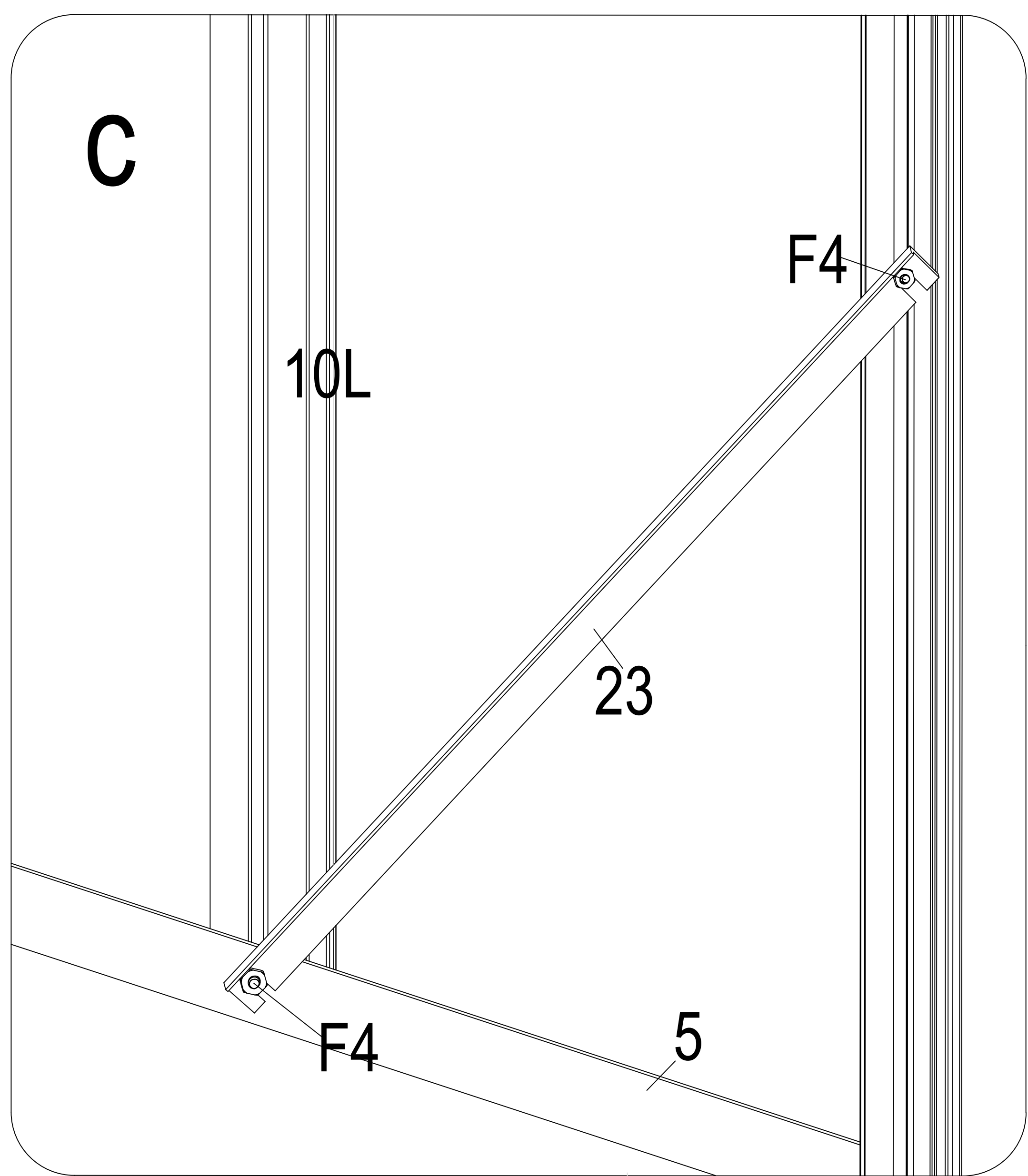
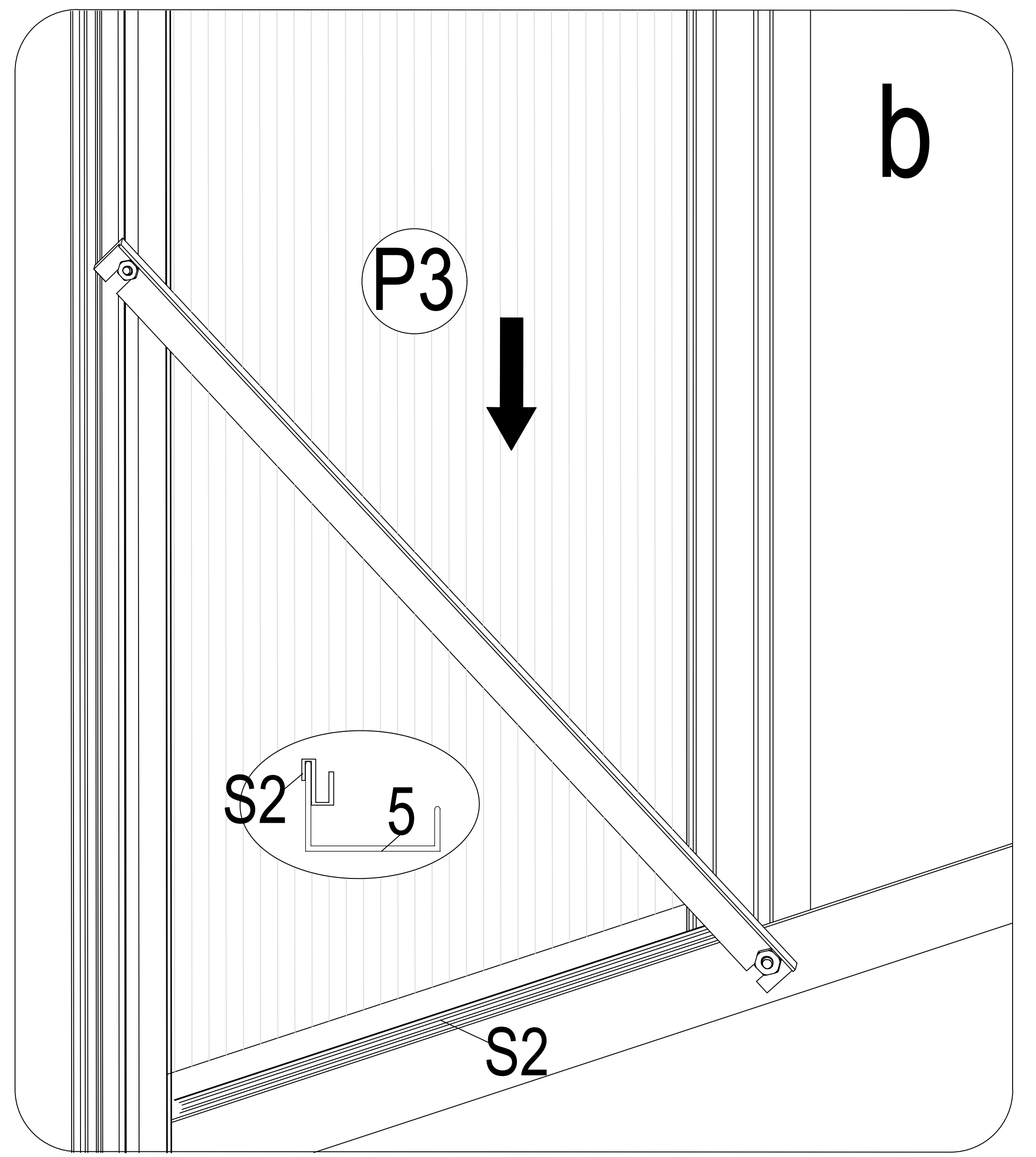
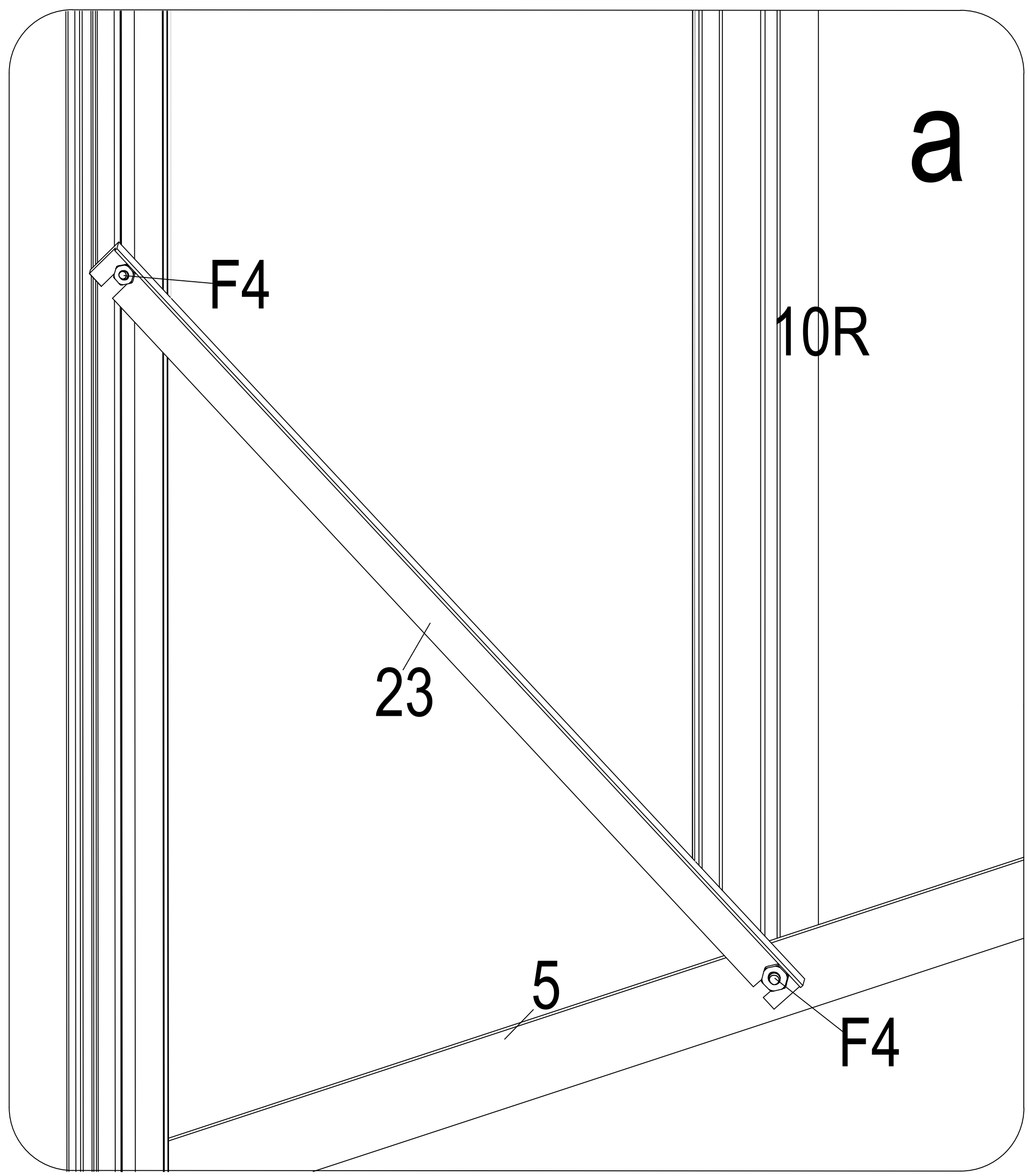
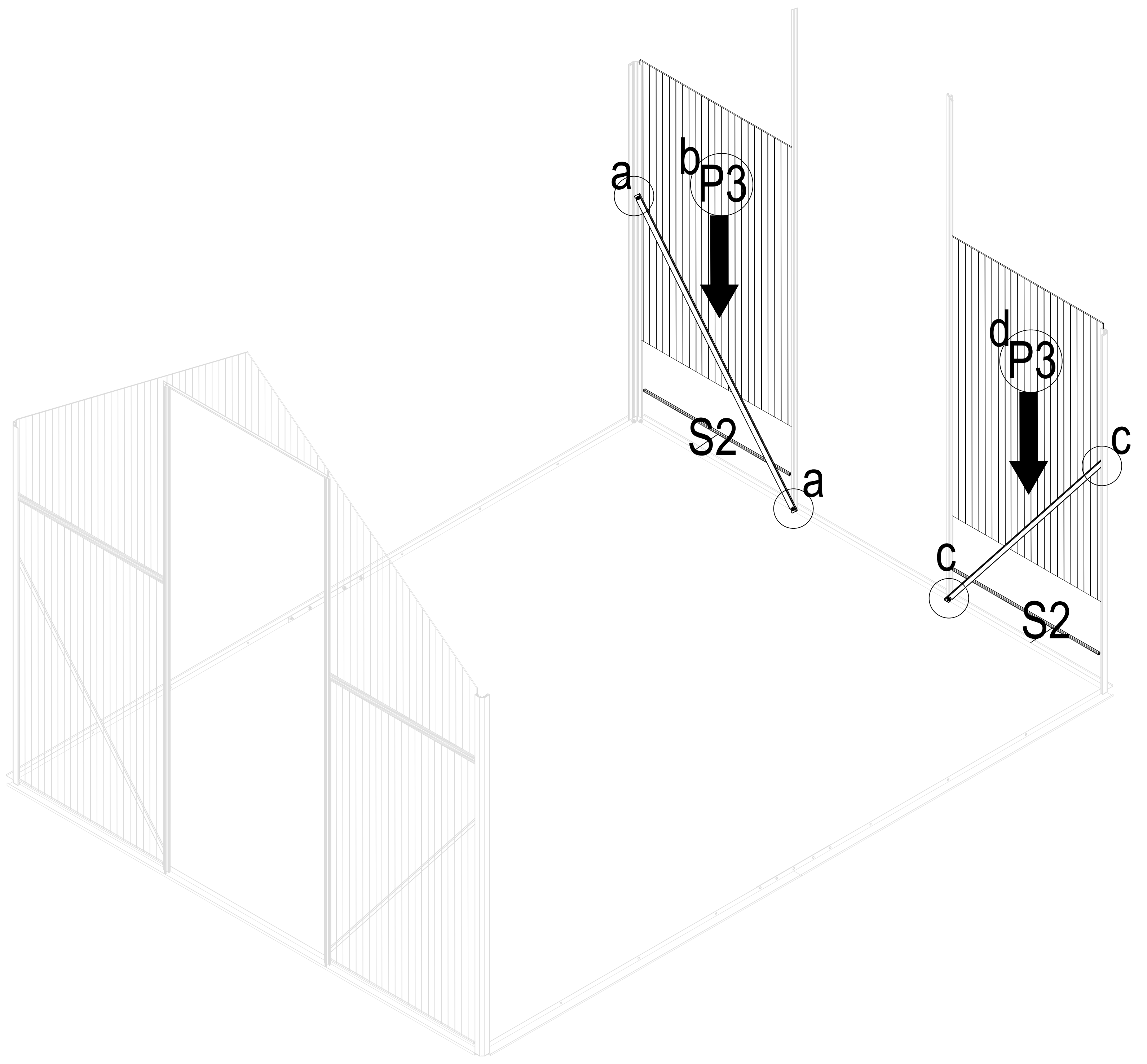


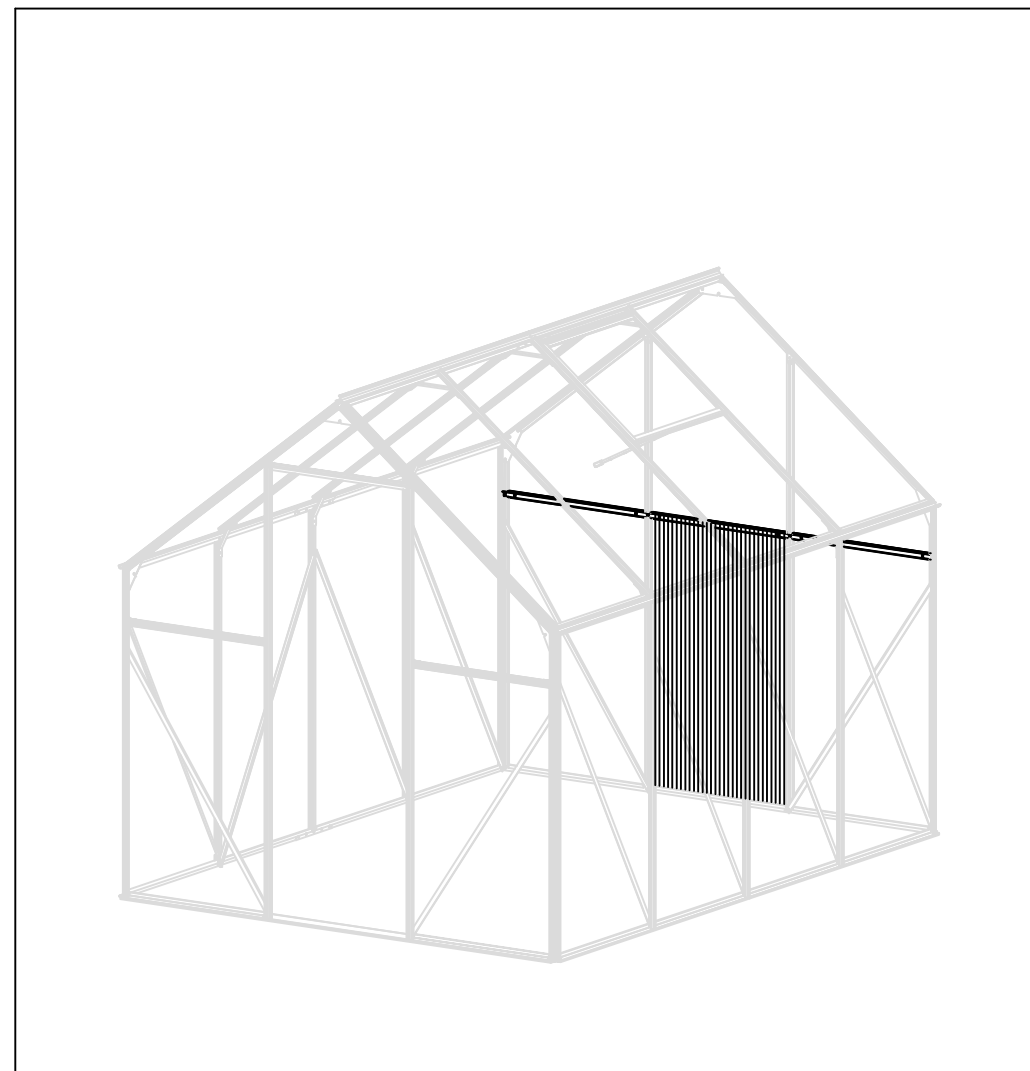
13 x1	
B4 x2	
F4 x2	
P4L x1	
P4R x1	
P7 x1	





10Lx1	
10Rx1	
23 x2	
F4x8	
S2x2	
P3 x2	





12 x2

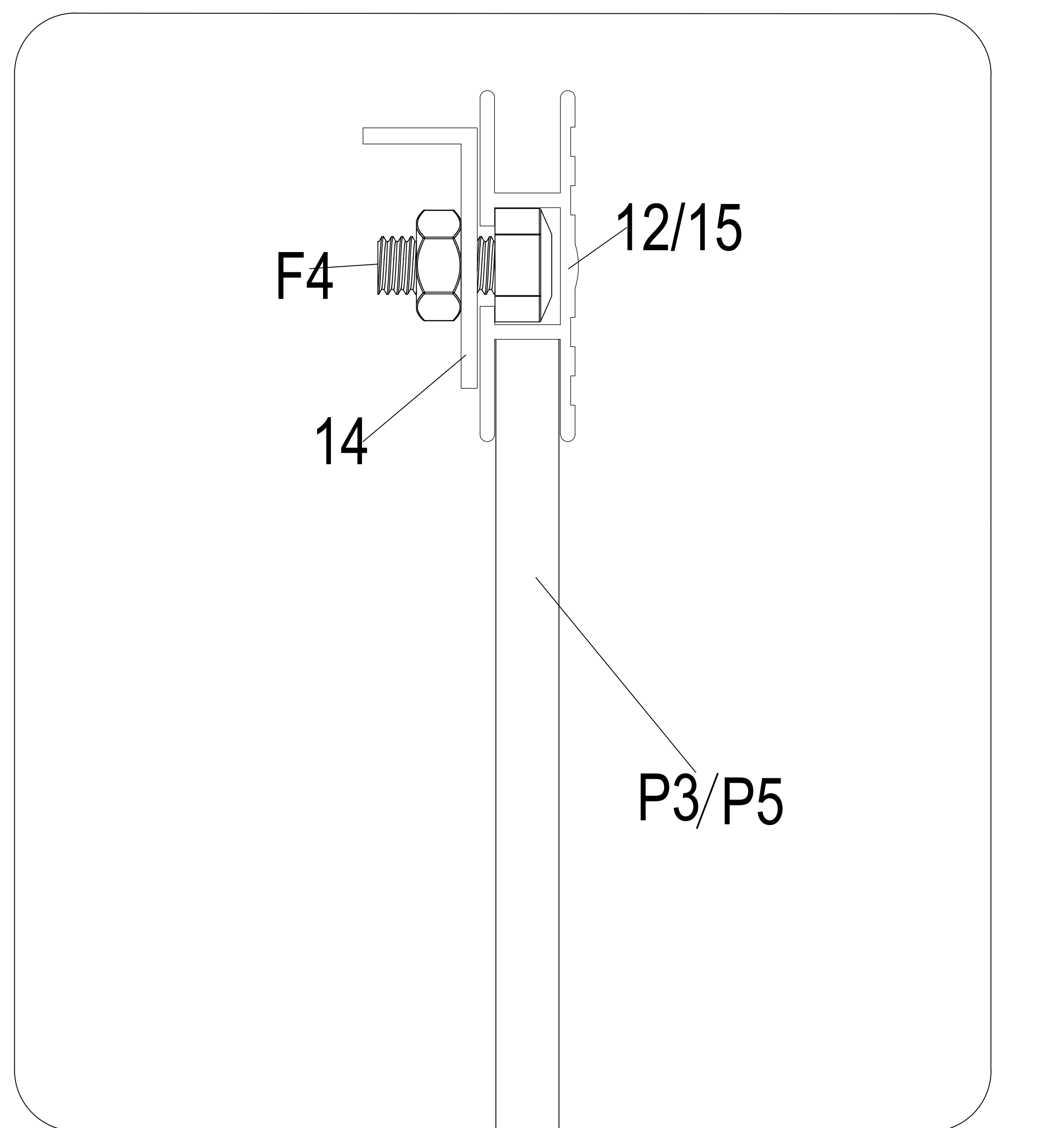
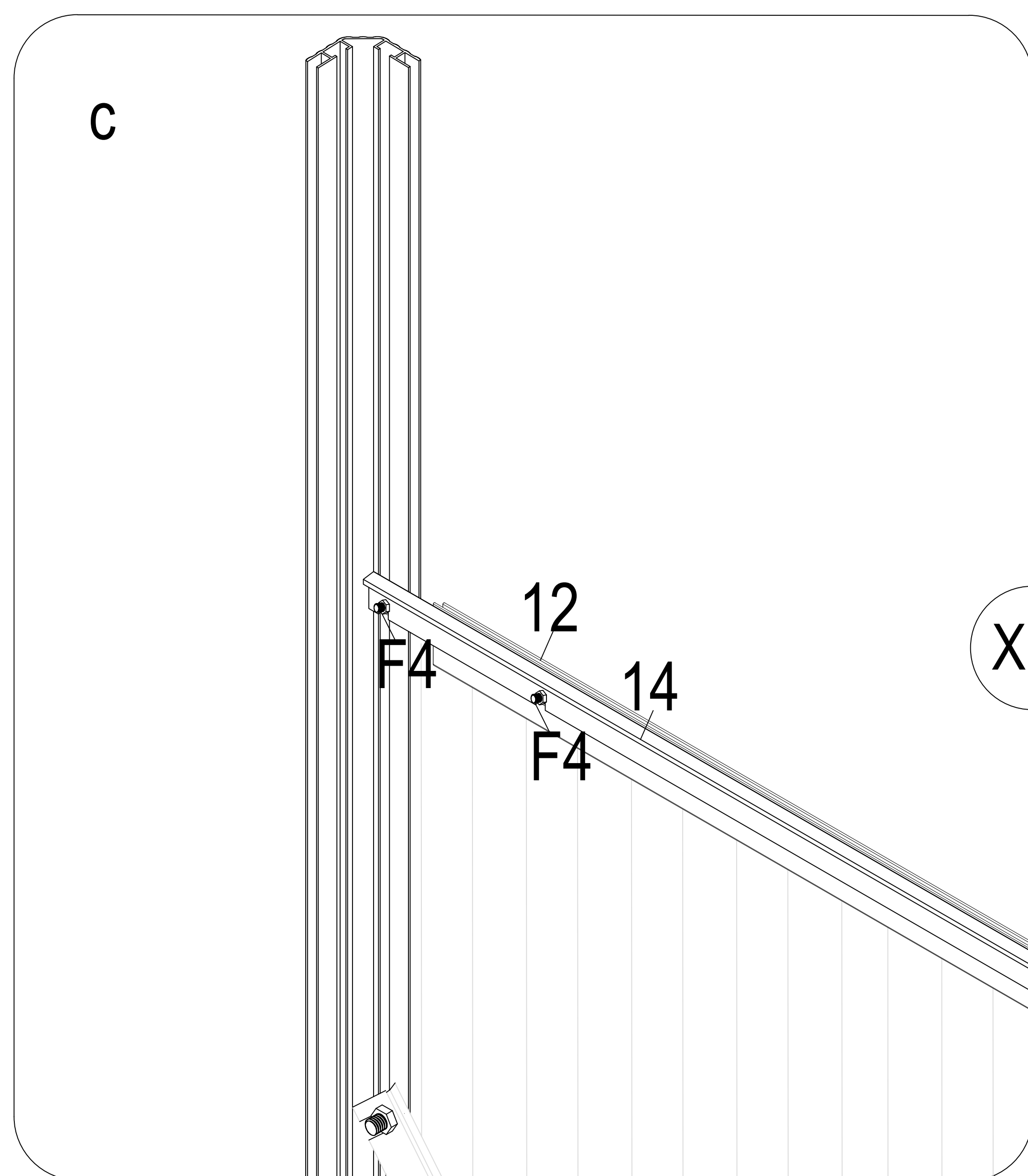
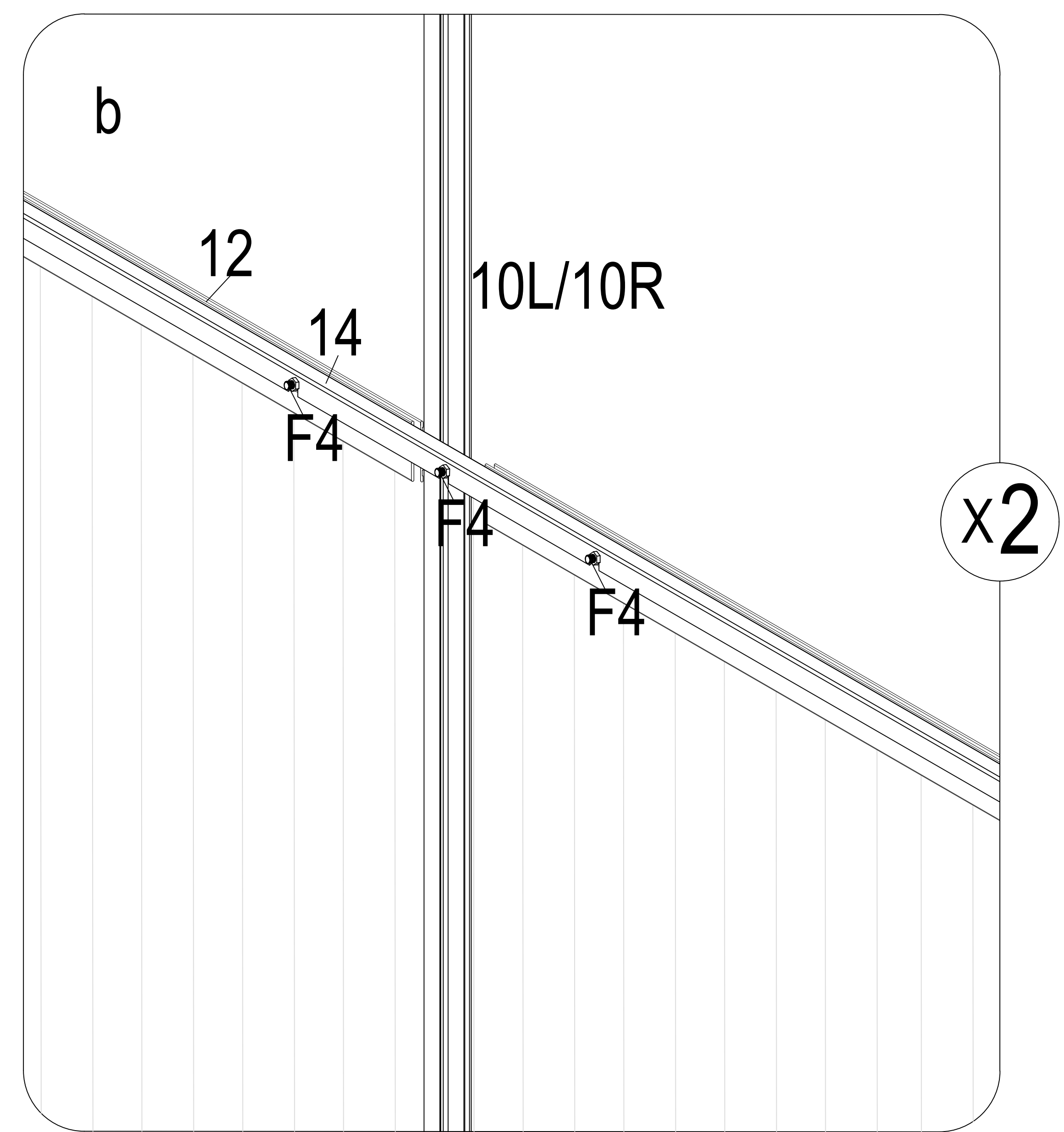
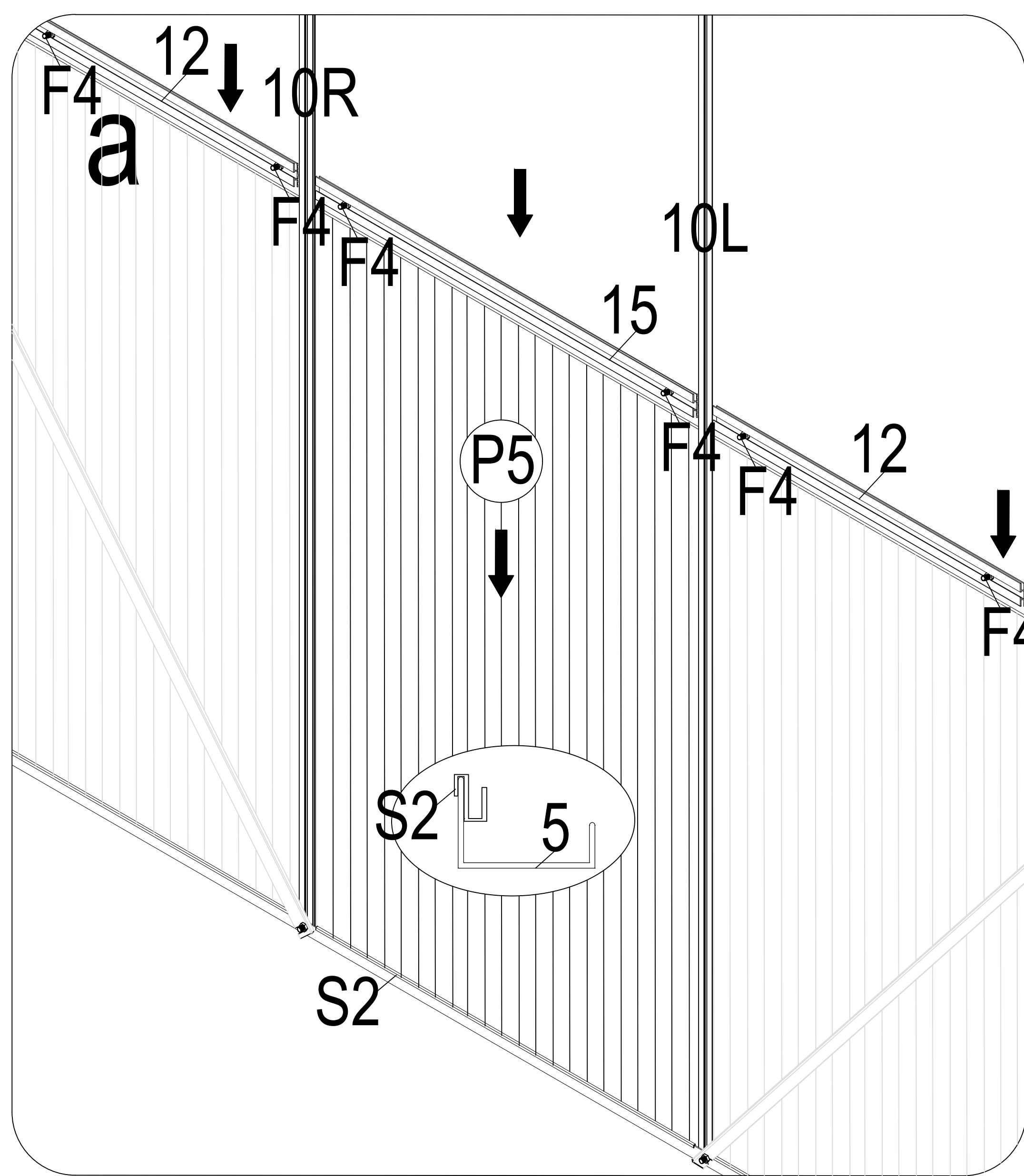
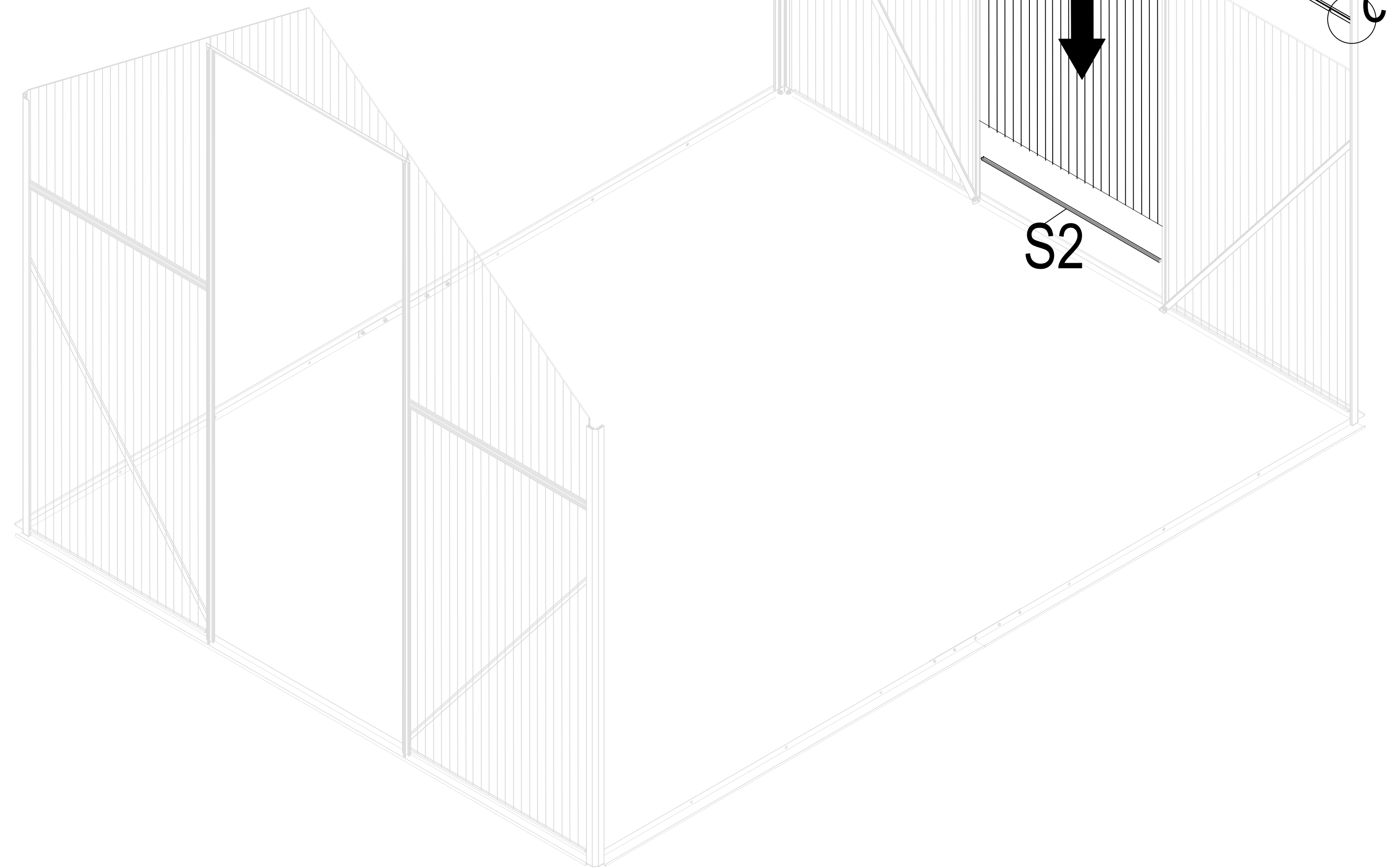
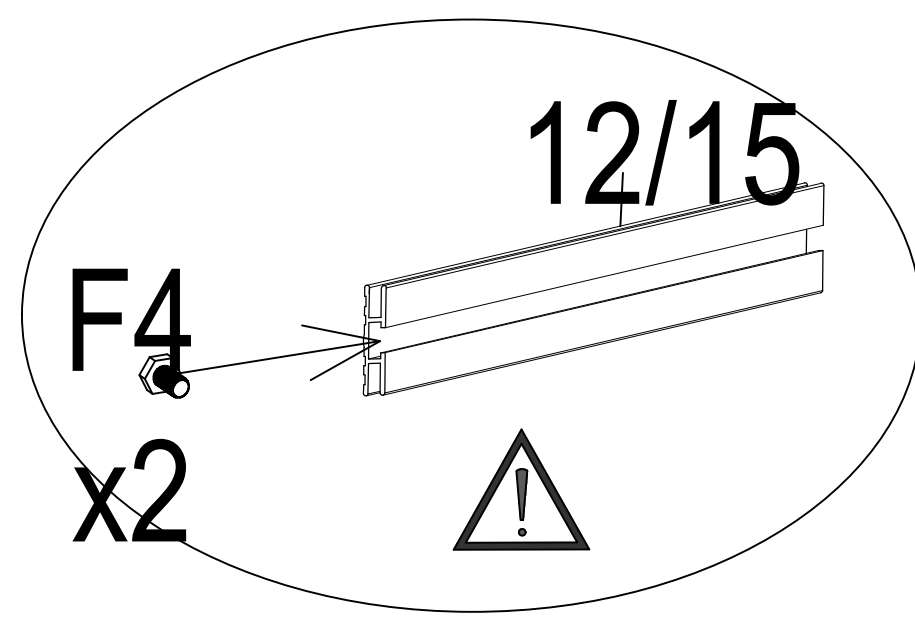
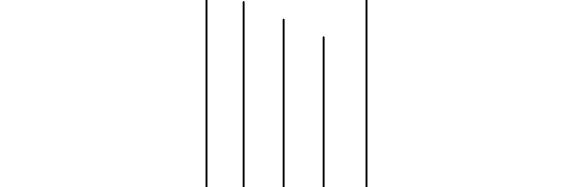
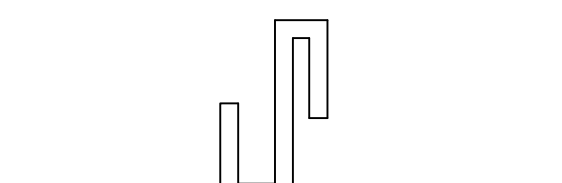
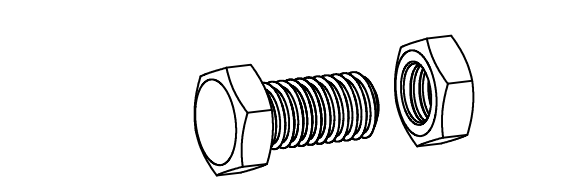
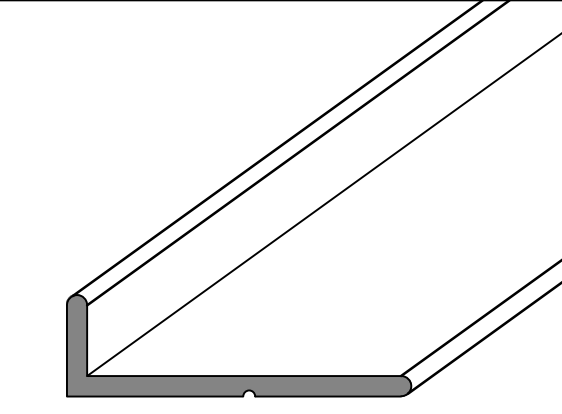
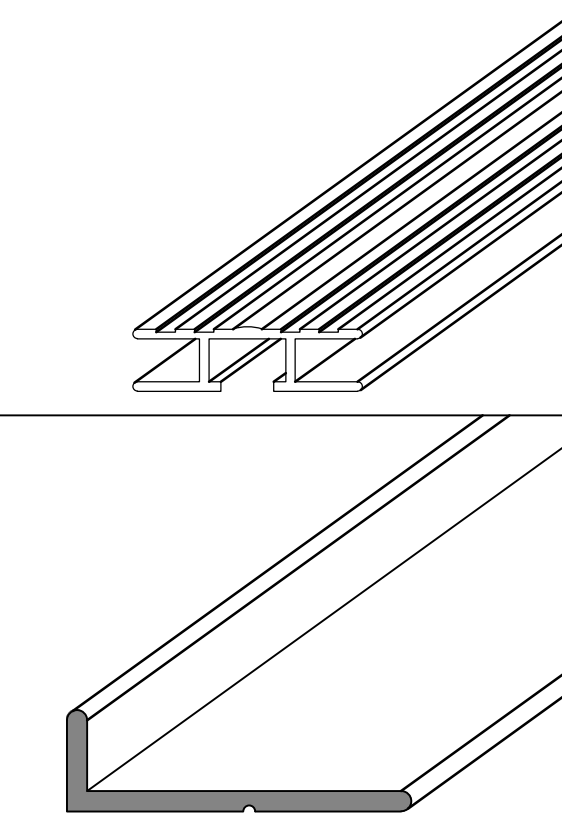
15 x1

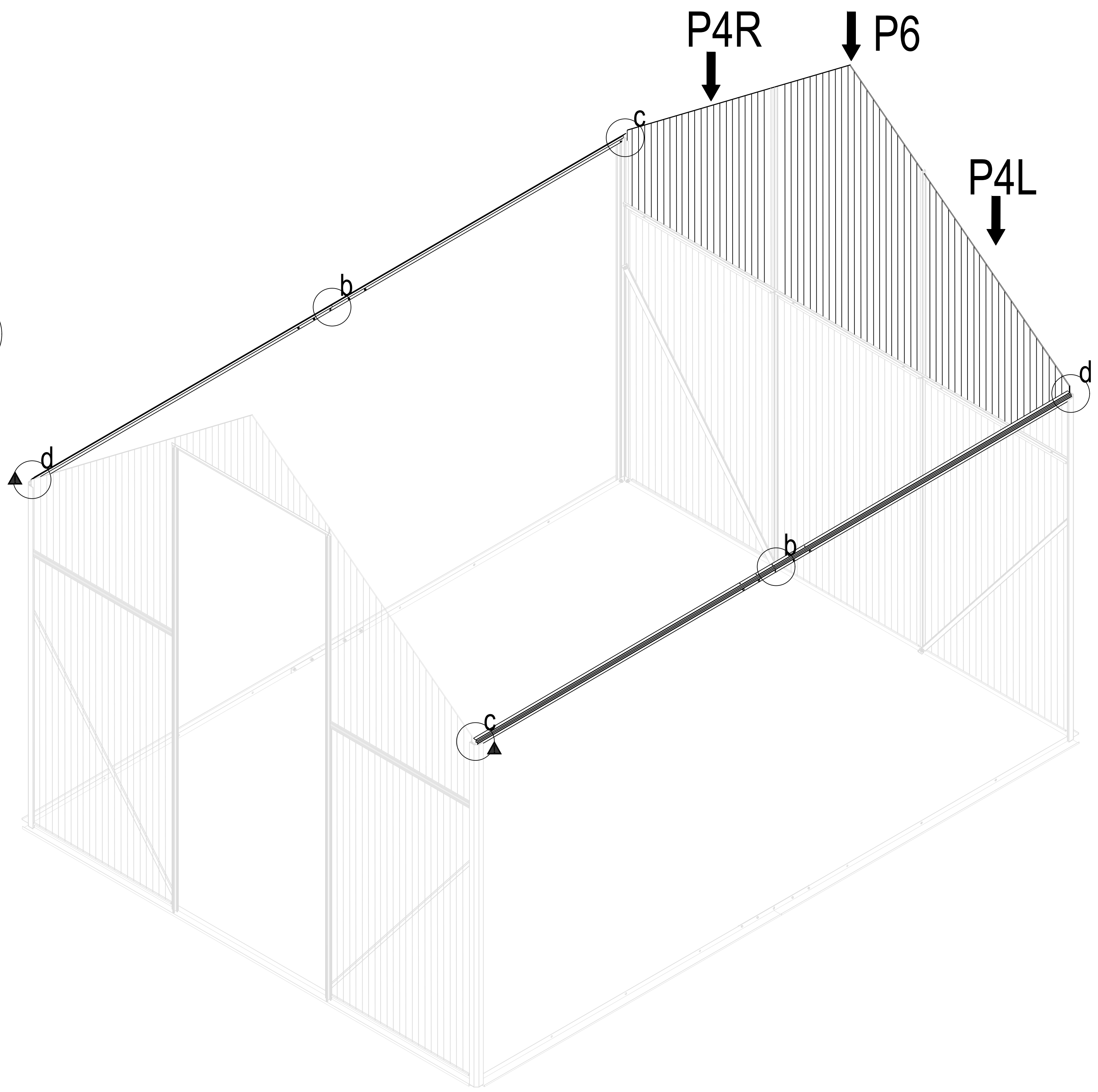
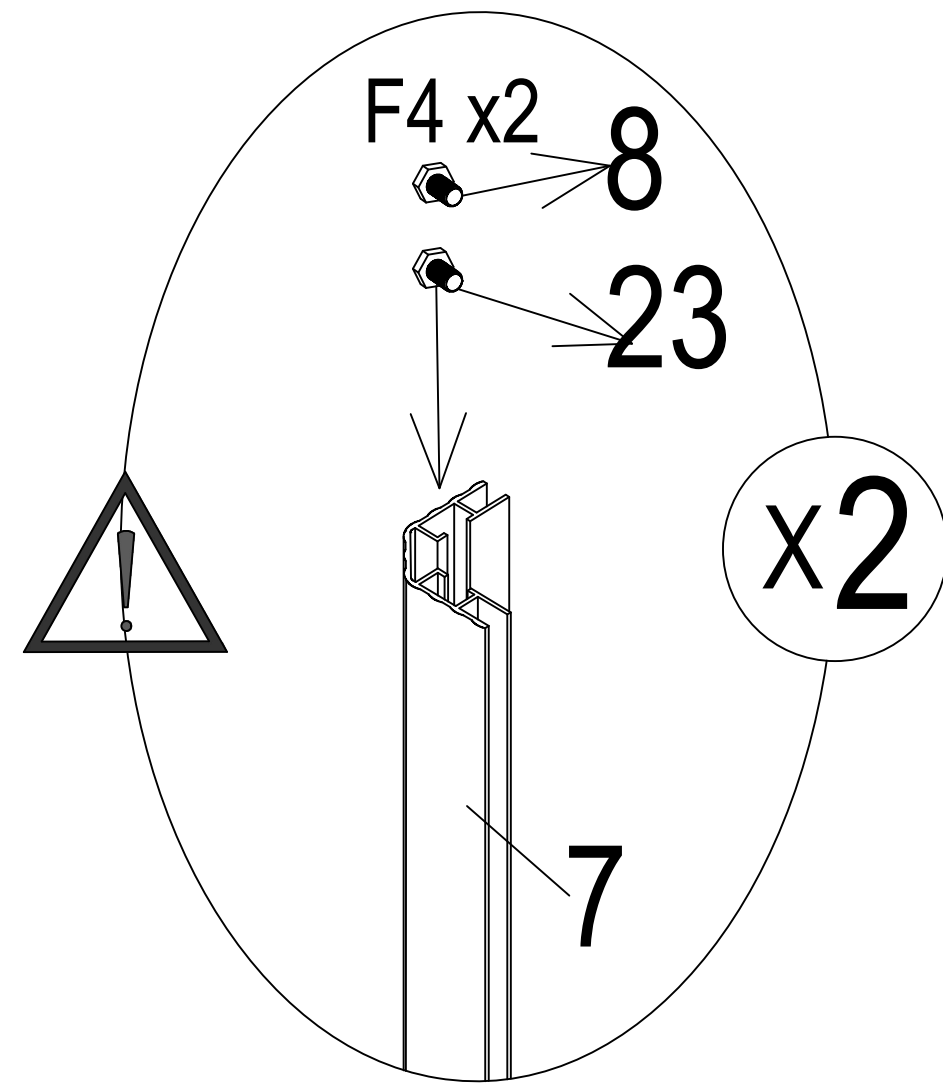
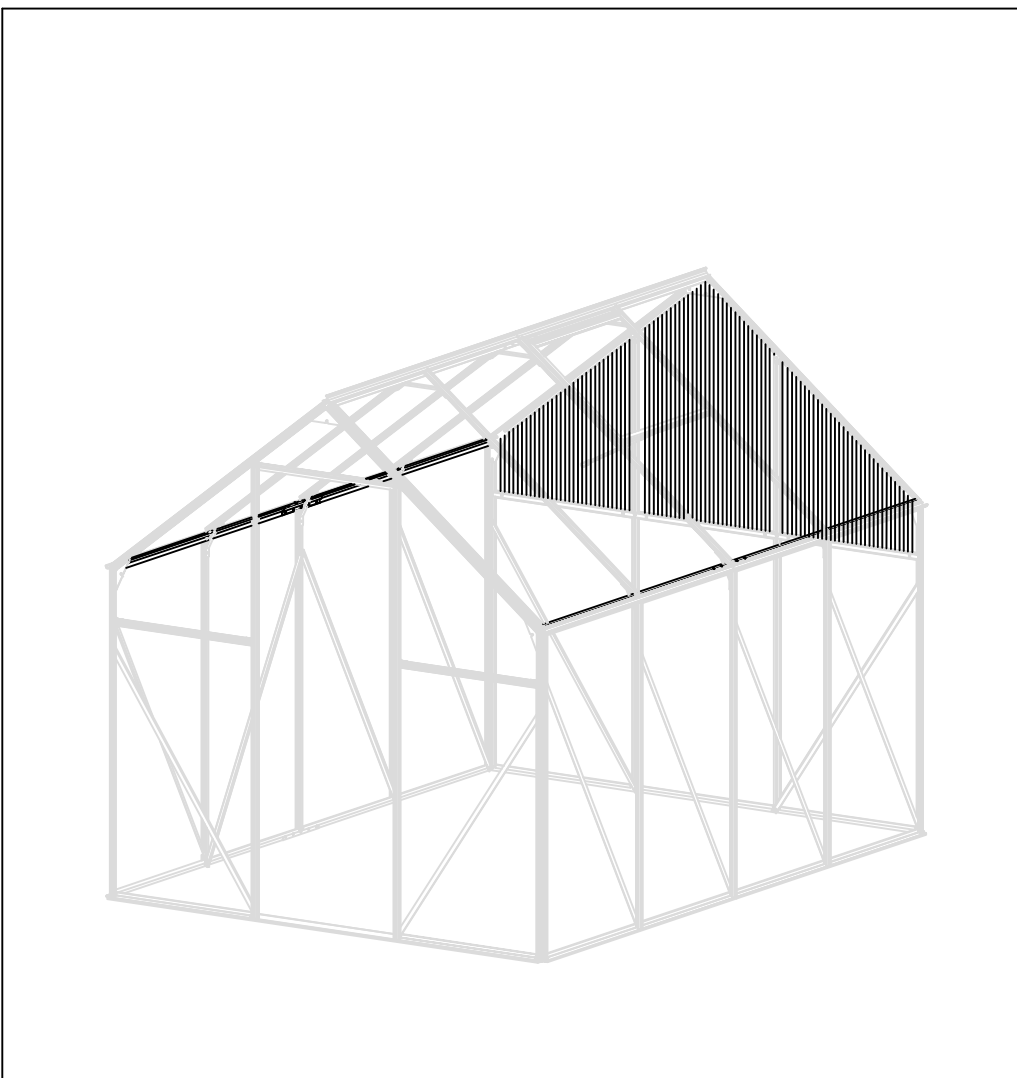
14 x1

F4x10

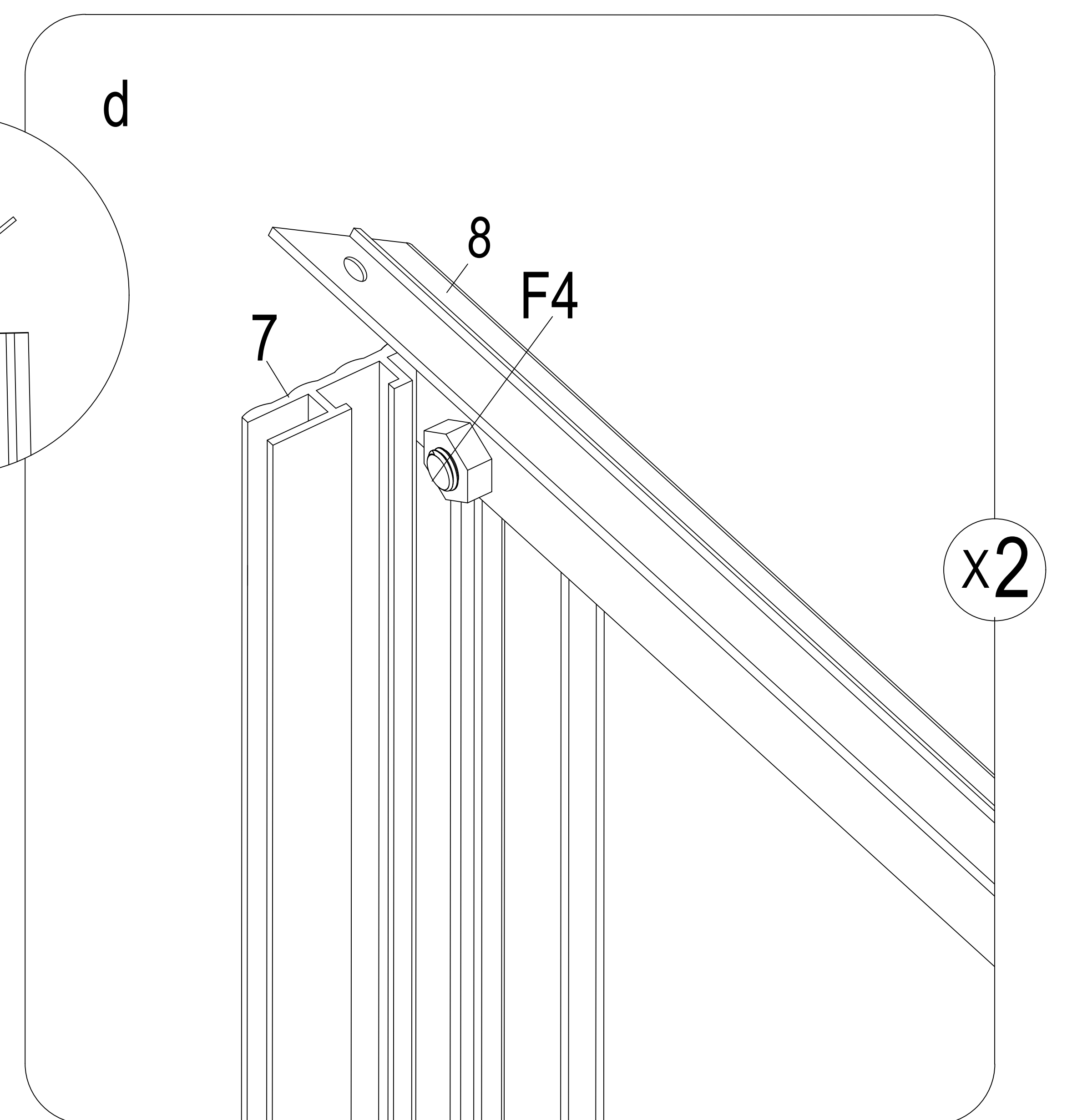
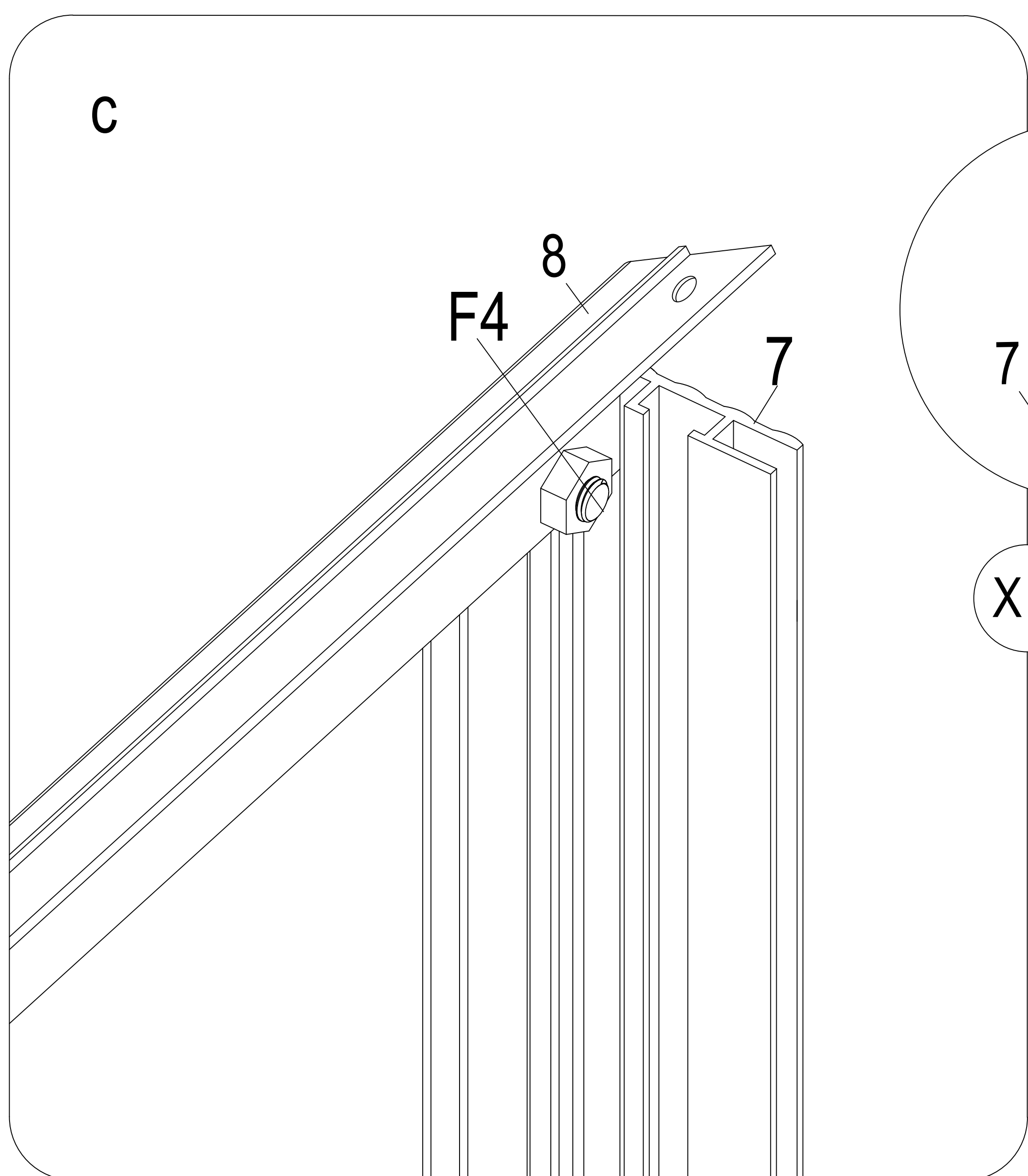
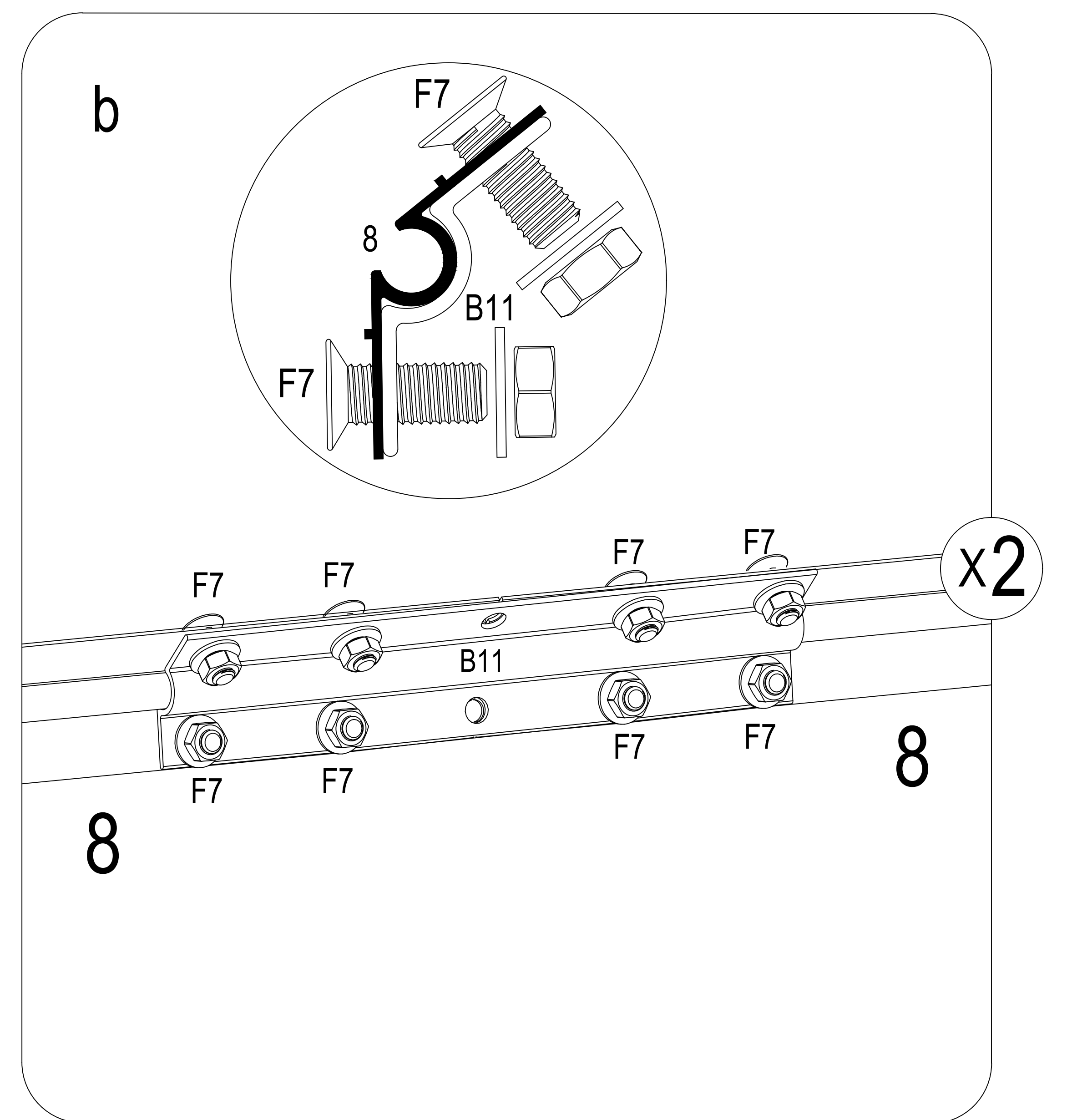
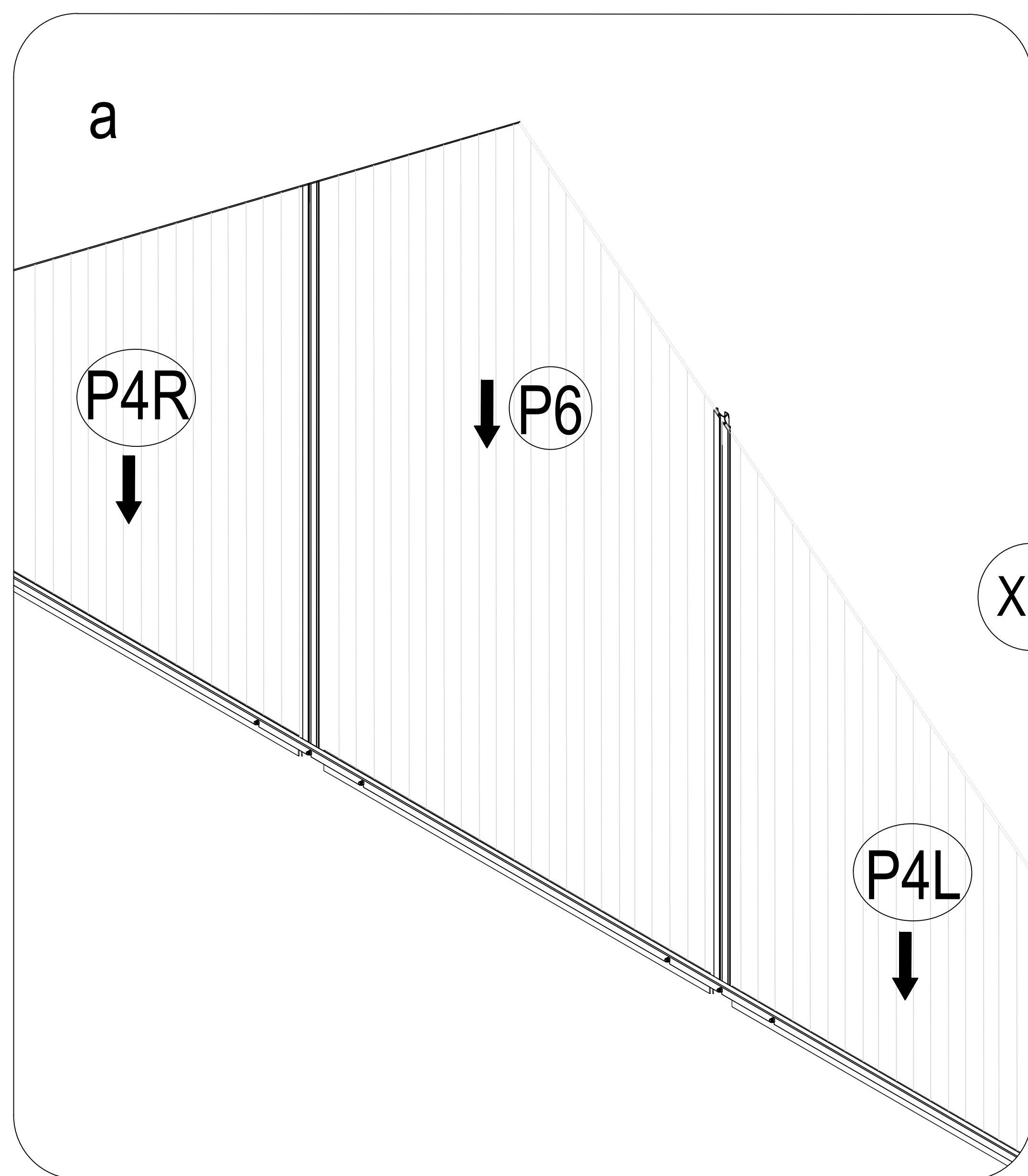
S2x1

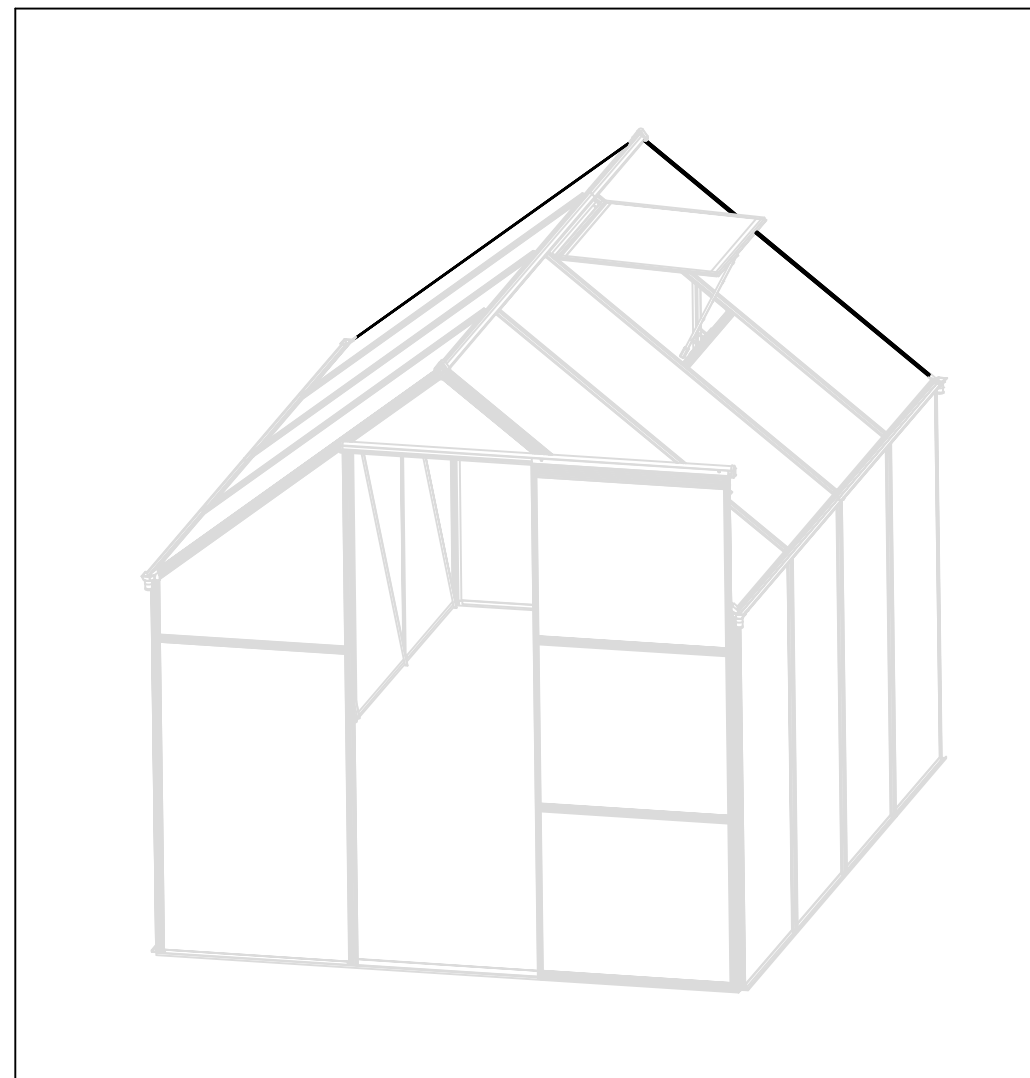
P5 x1



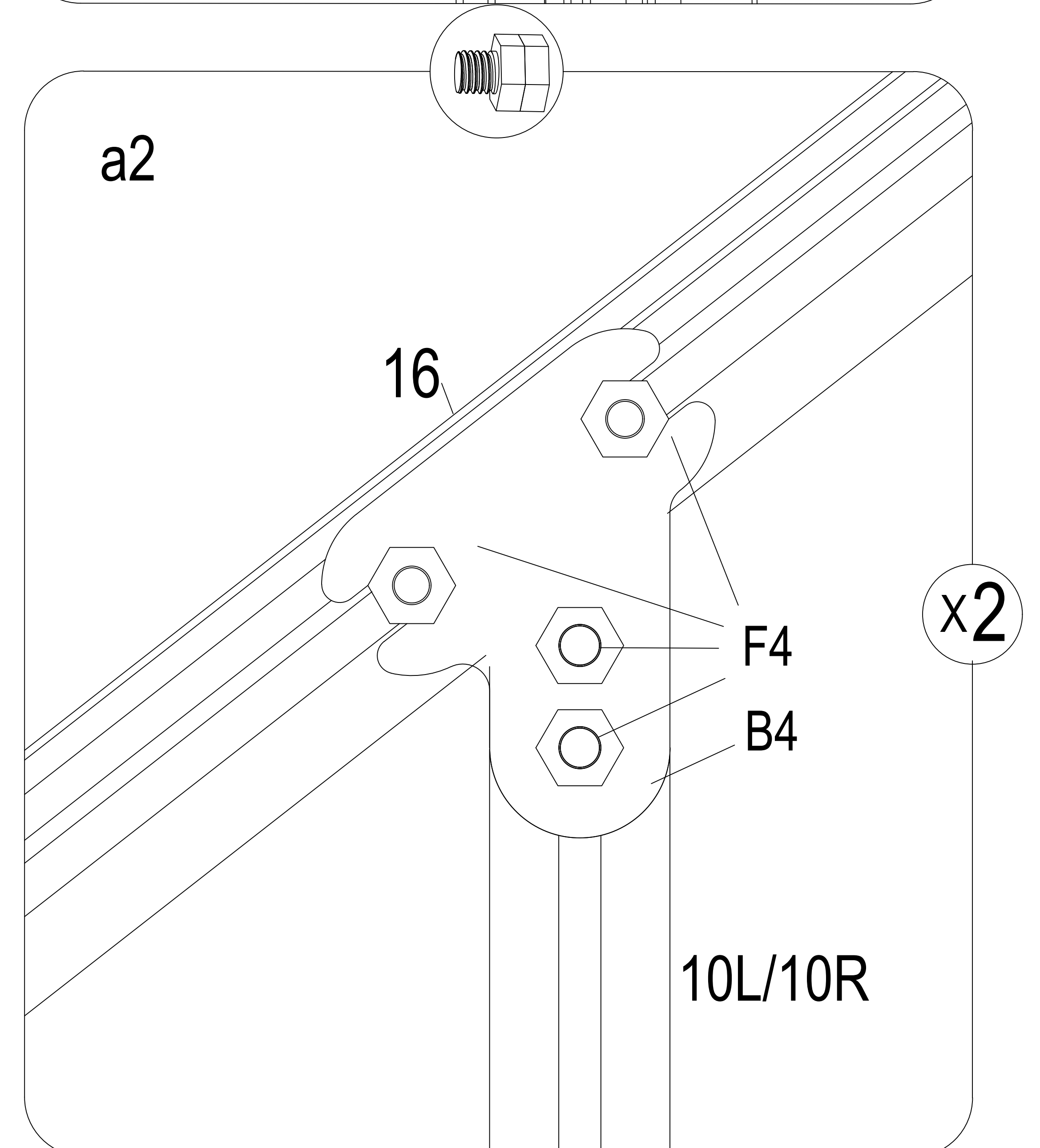
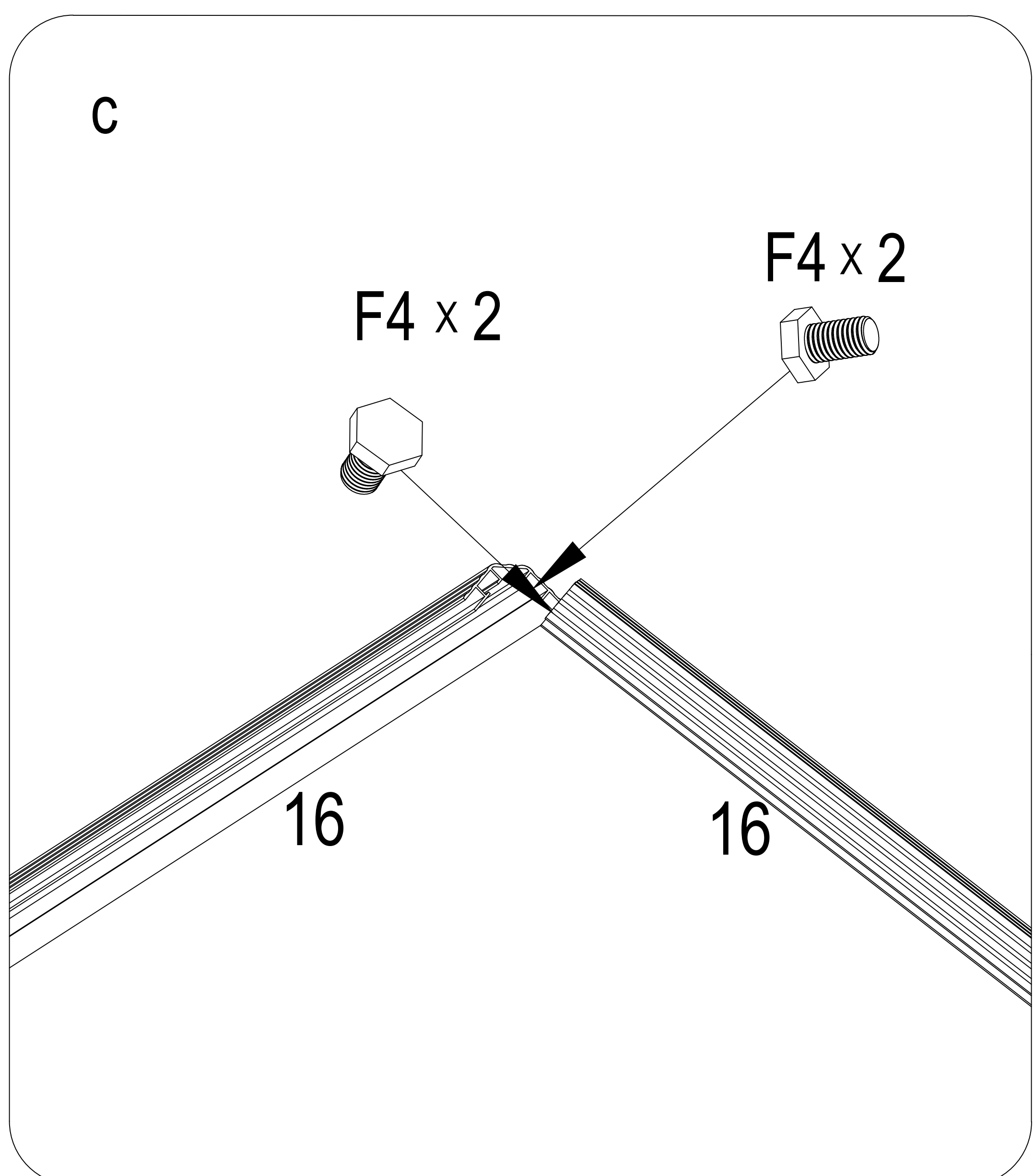
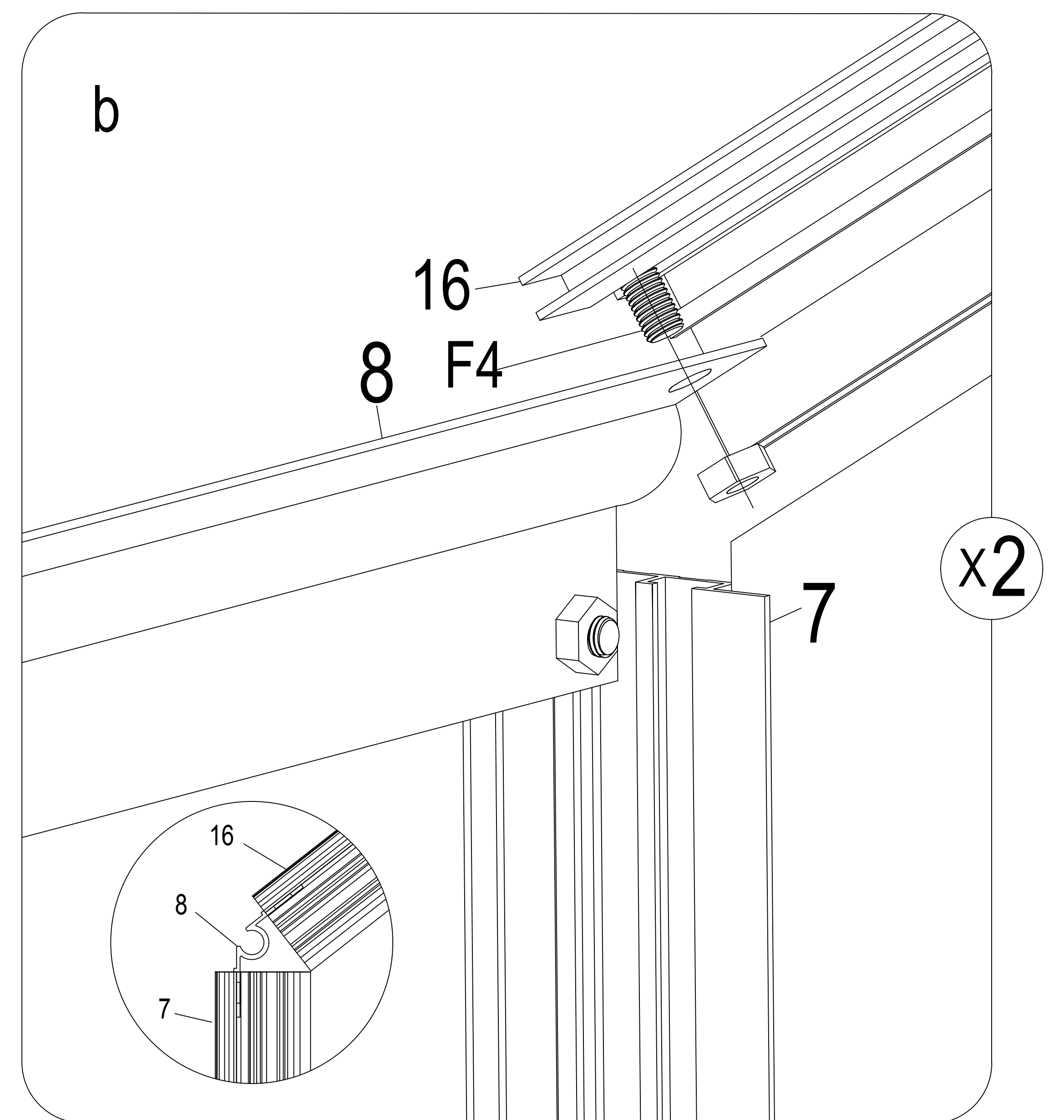
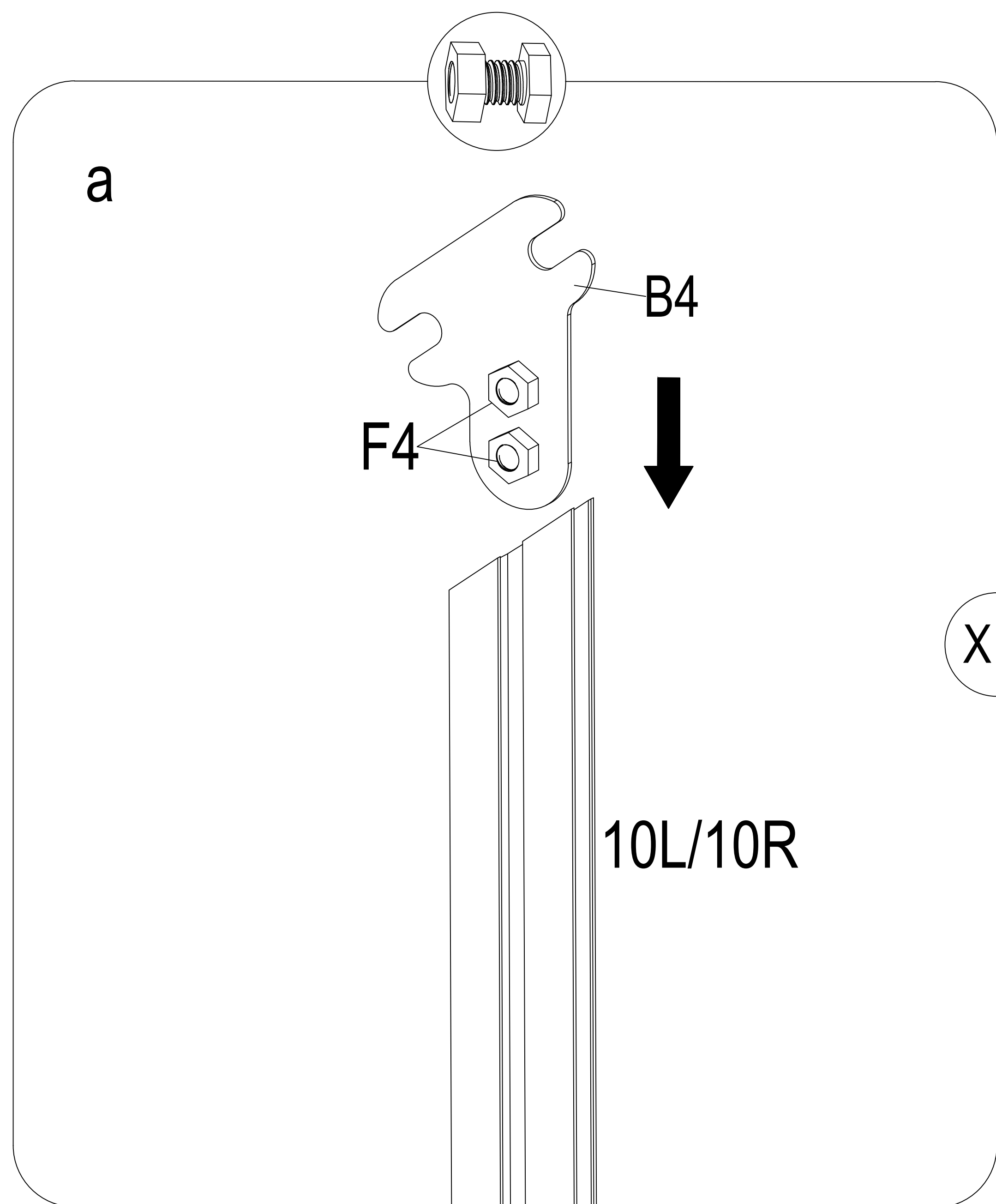
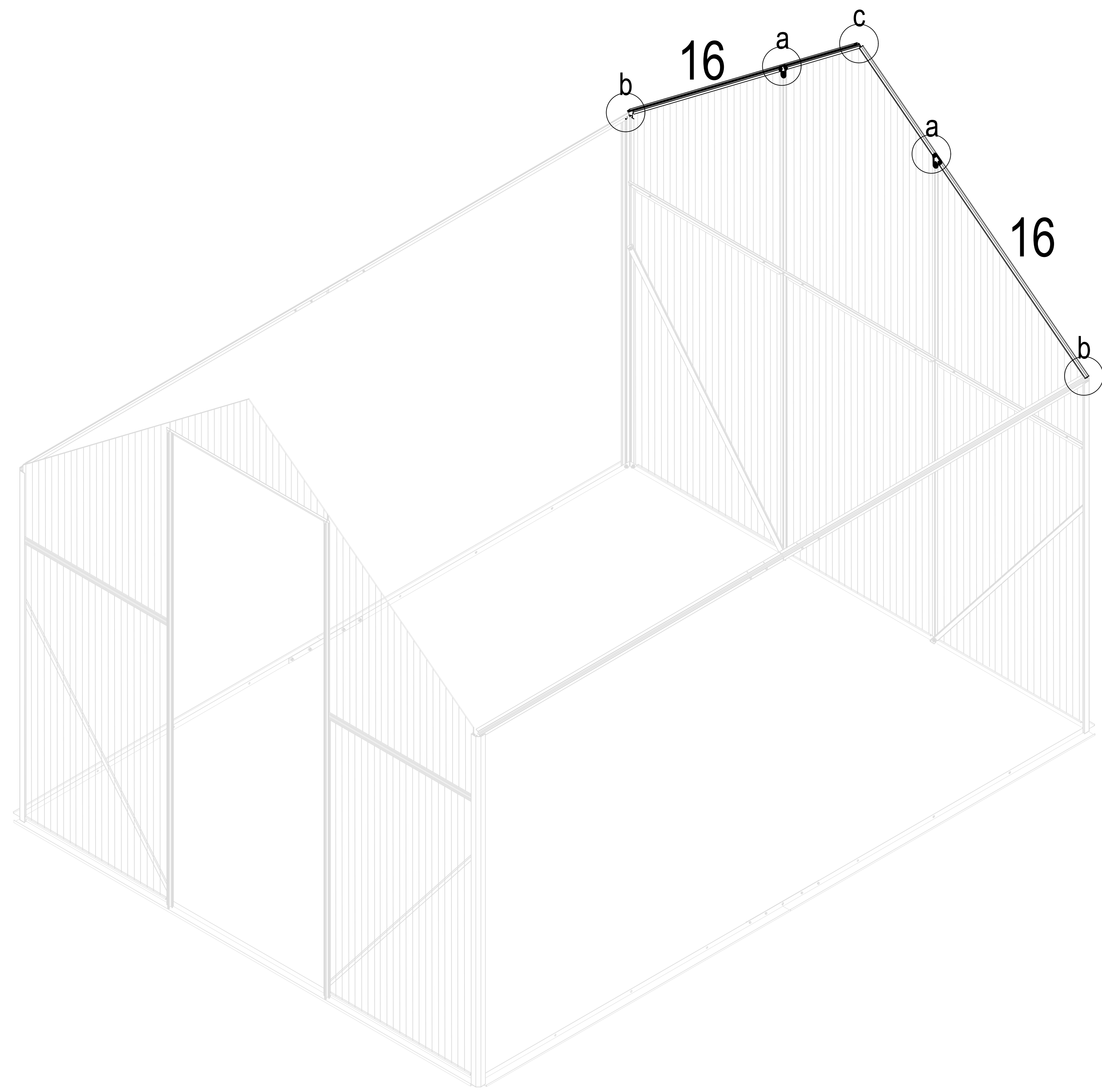


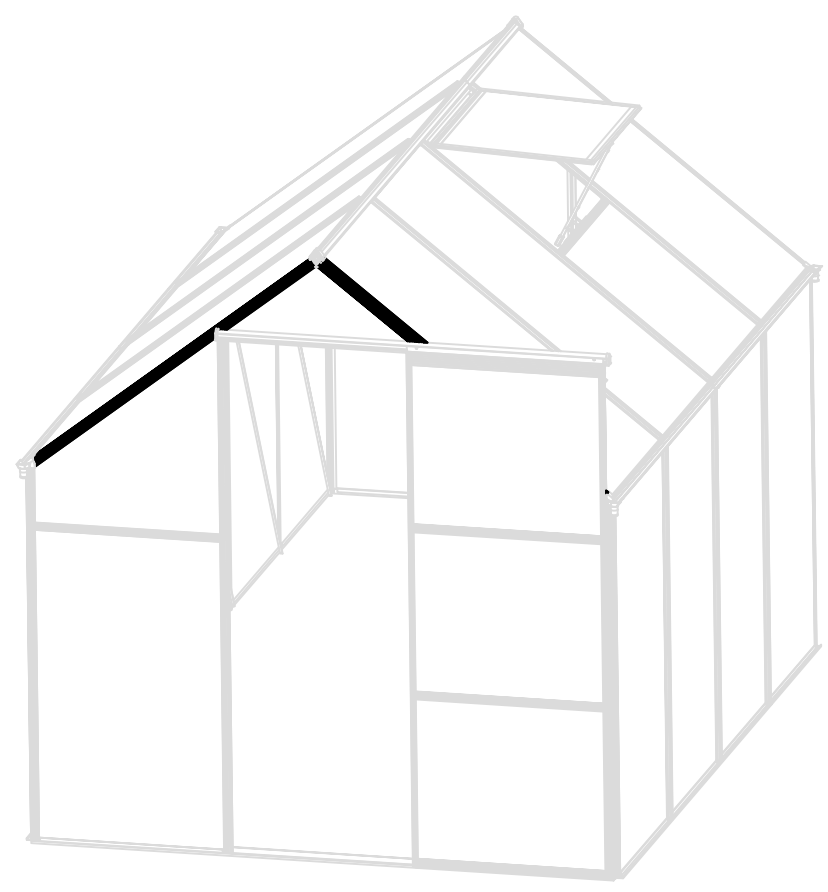
8 x 4	
B11x2	
F4x 8	
F7x 16	
P4L x1	
P4R x1	
P6 x1	



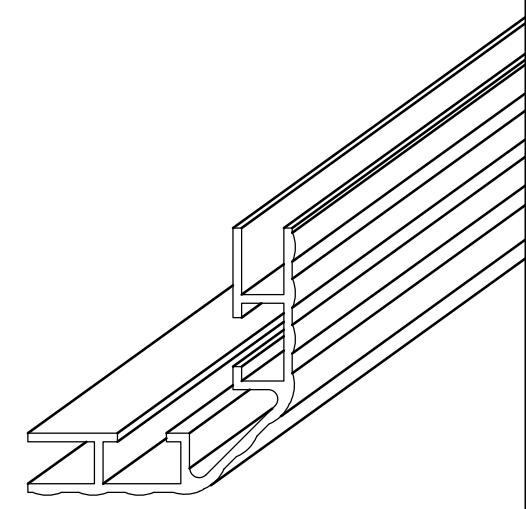


16 x 2	
B4 x 2	
F4 x 10	

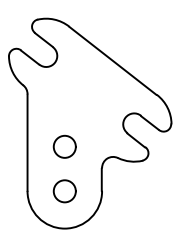




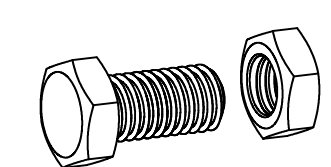
16 x 2



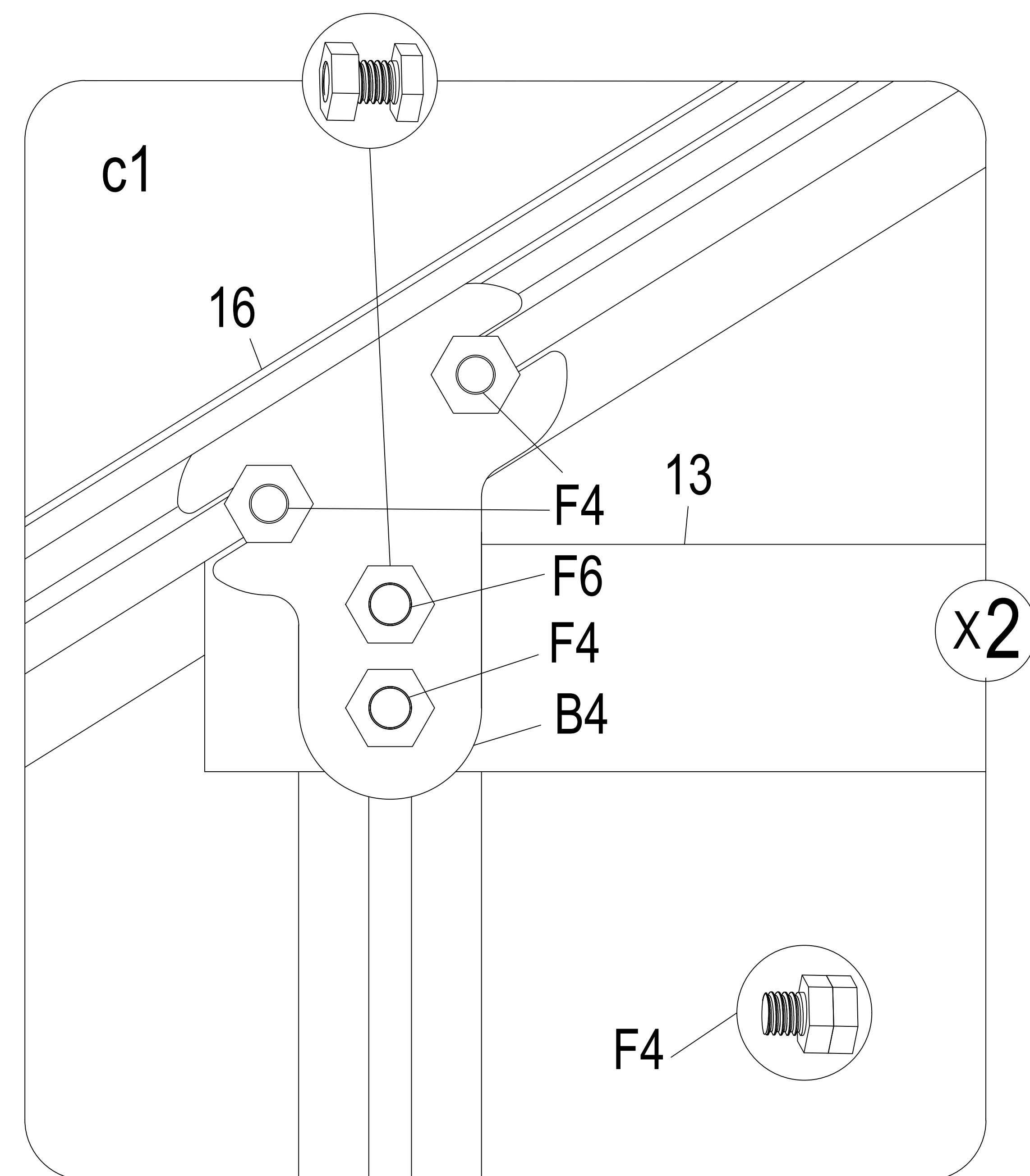
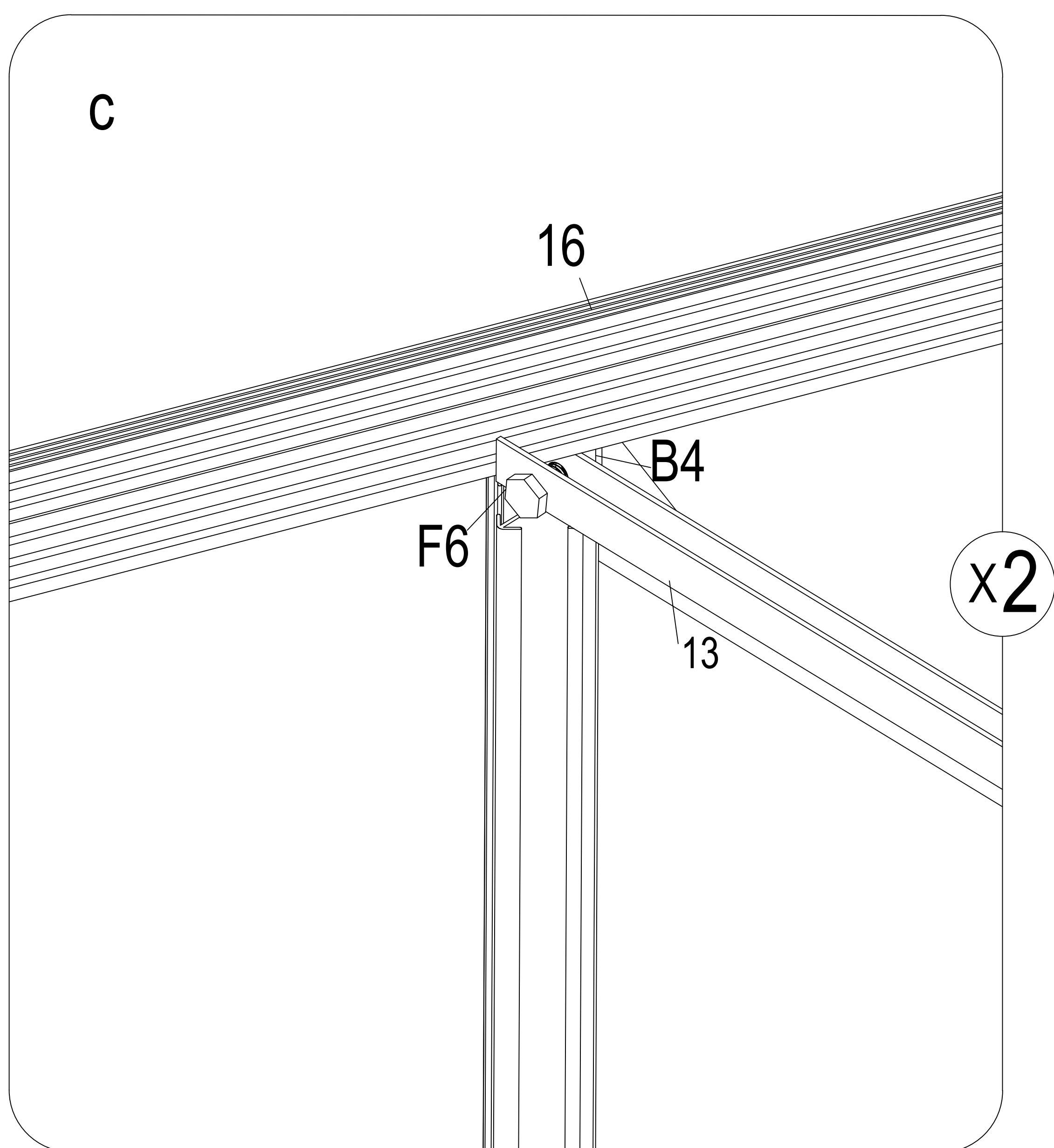
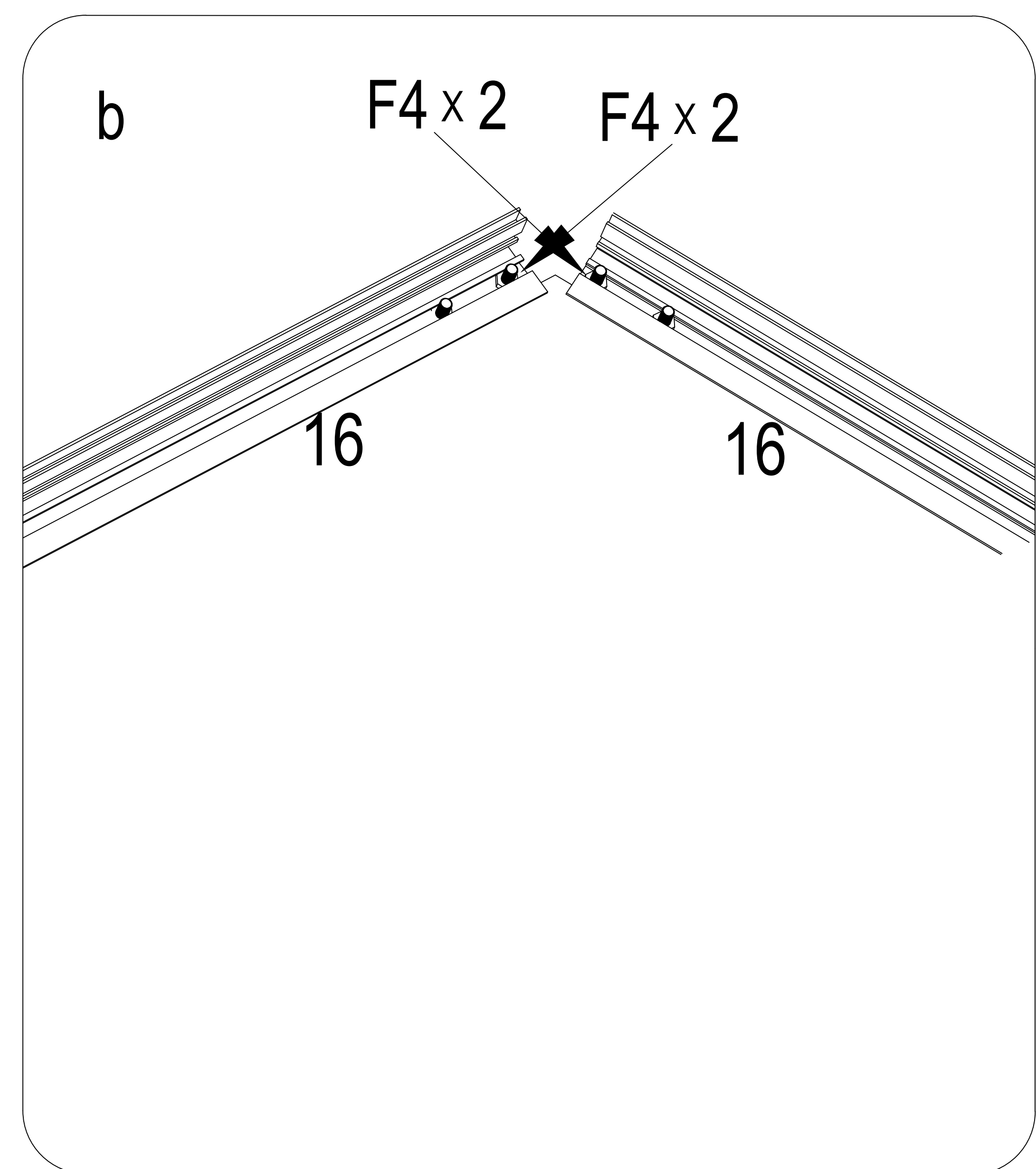
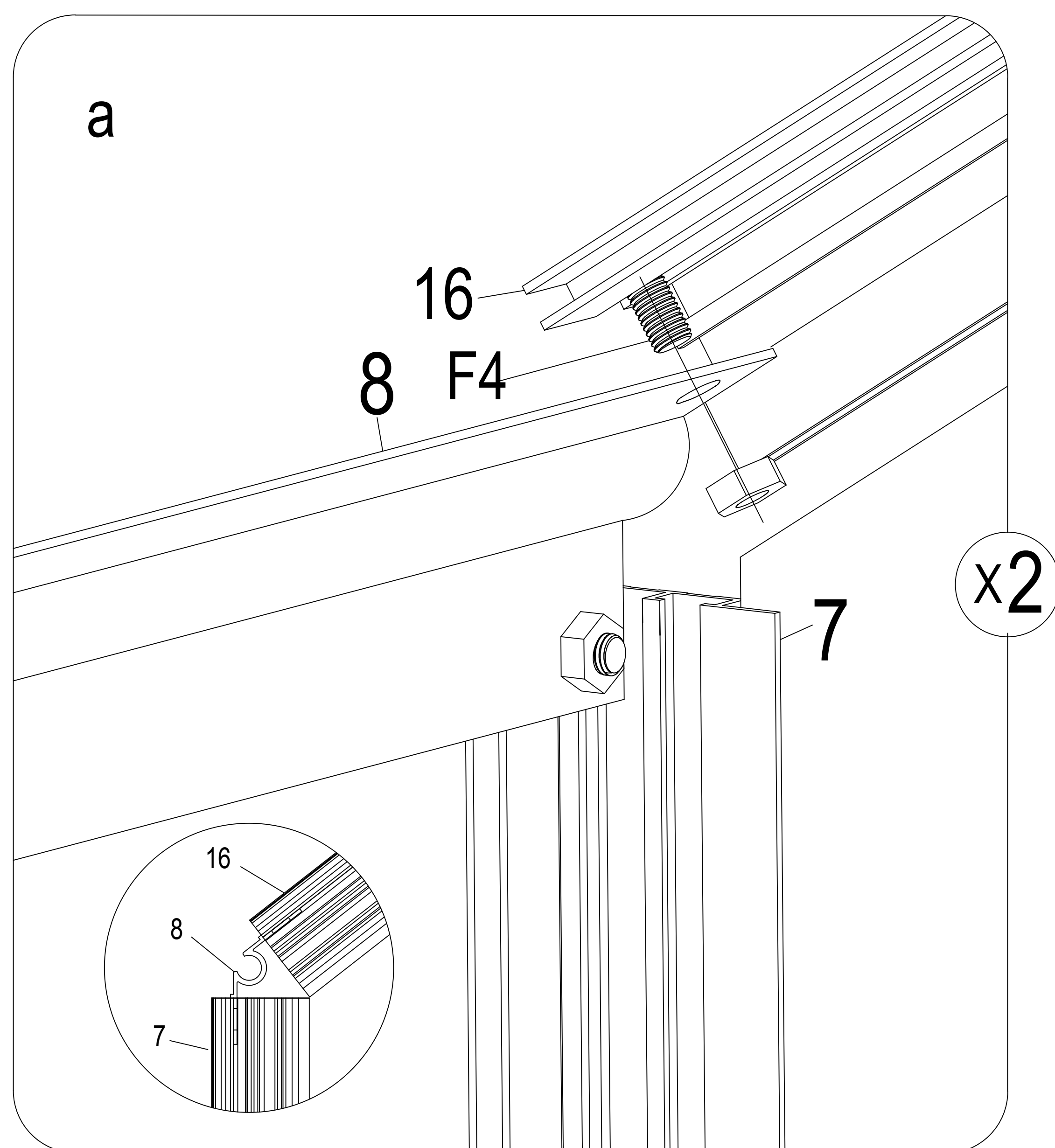
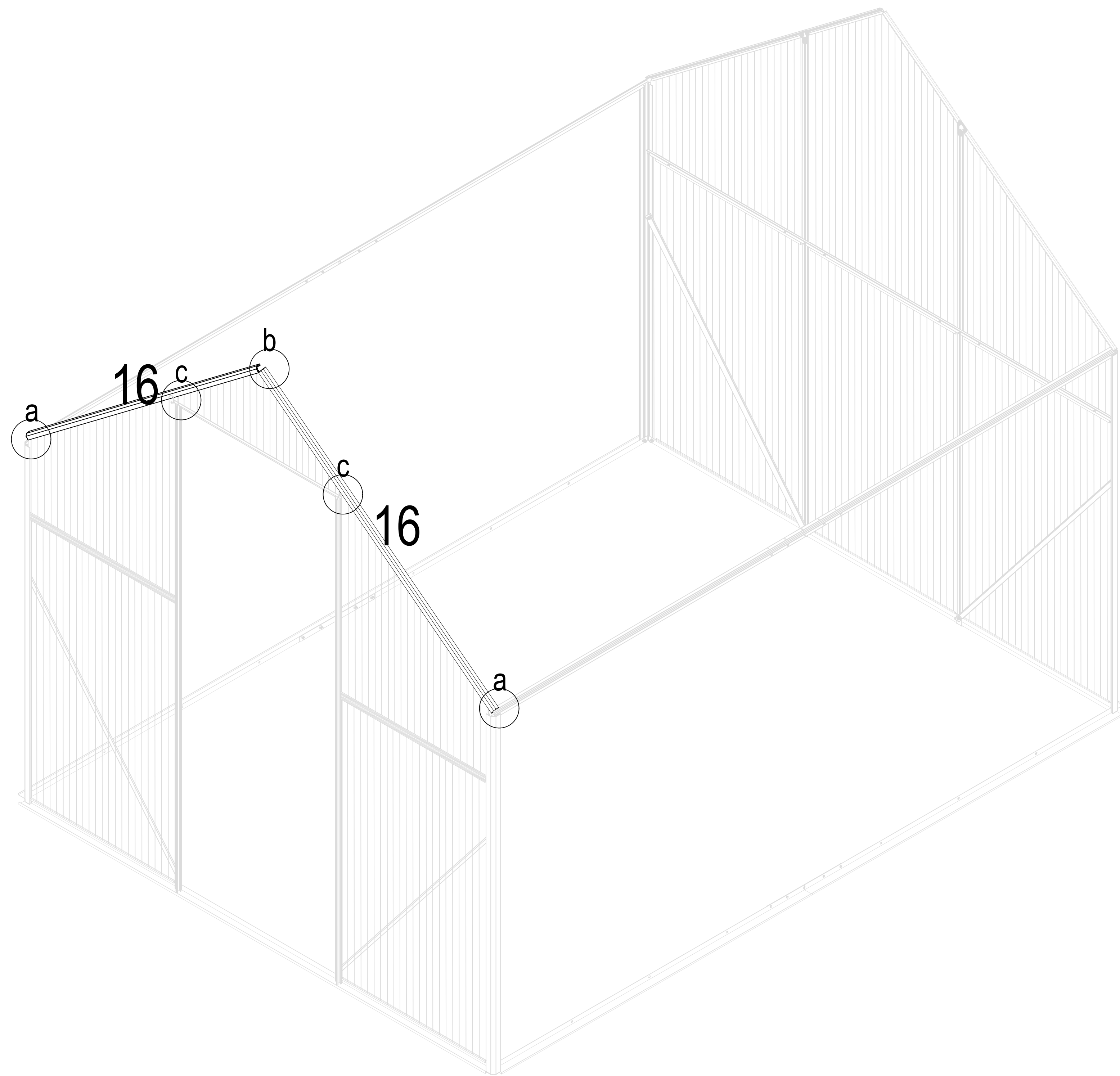
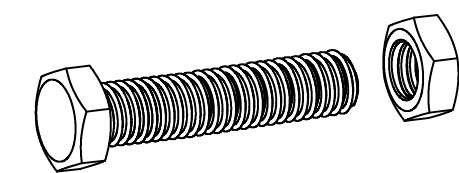
B4 x 2

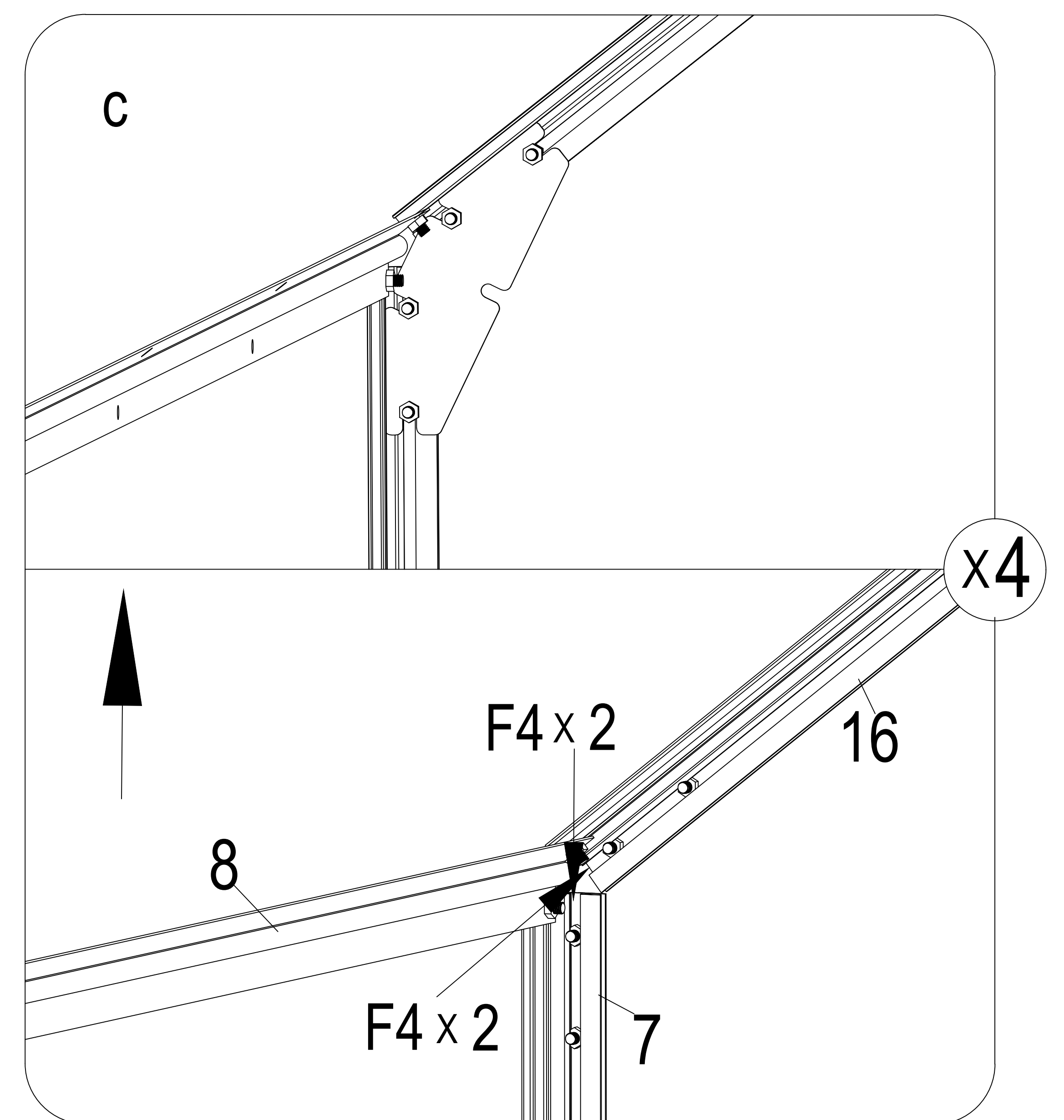
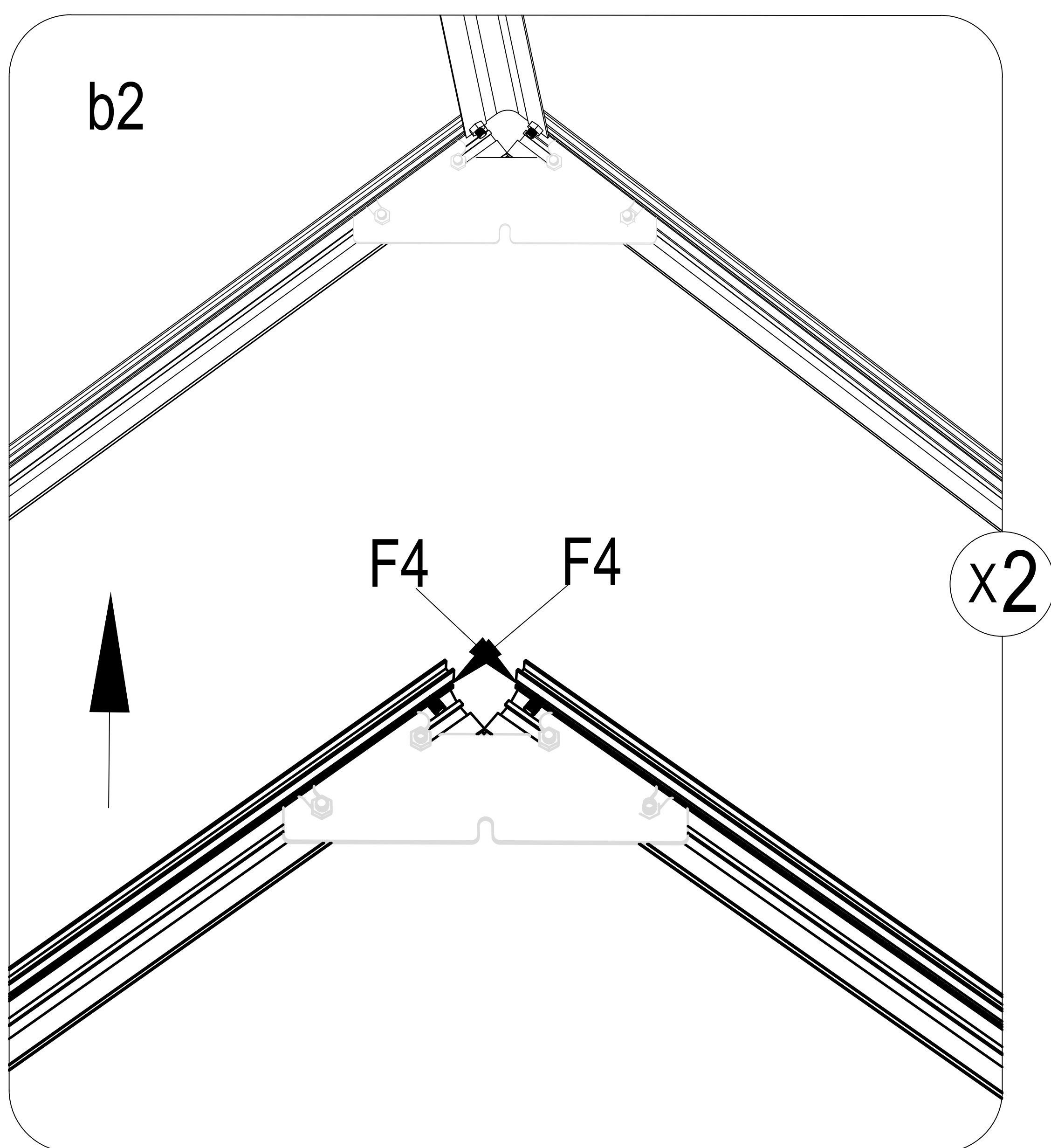
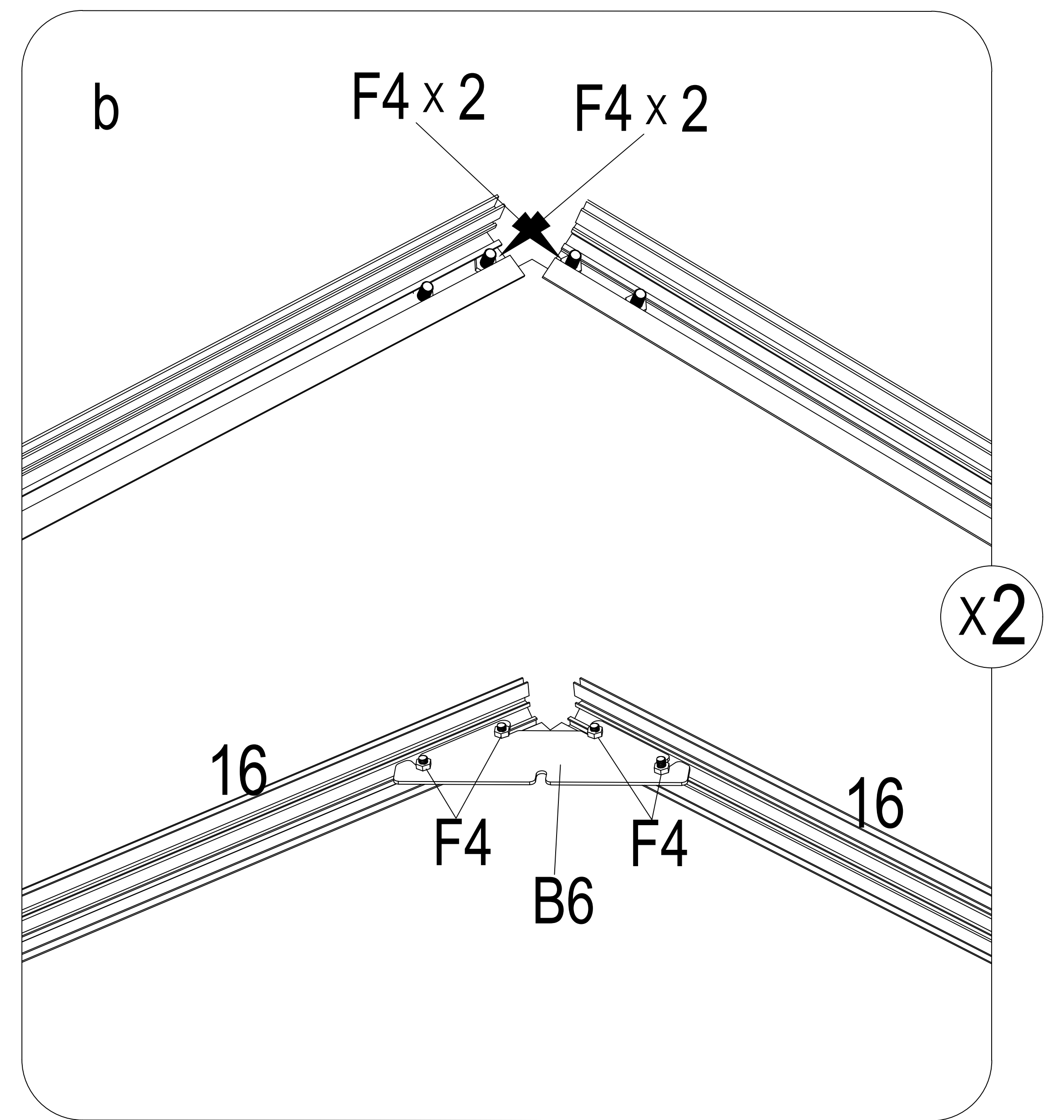
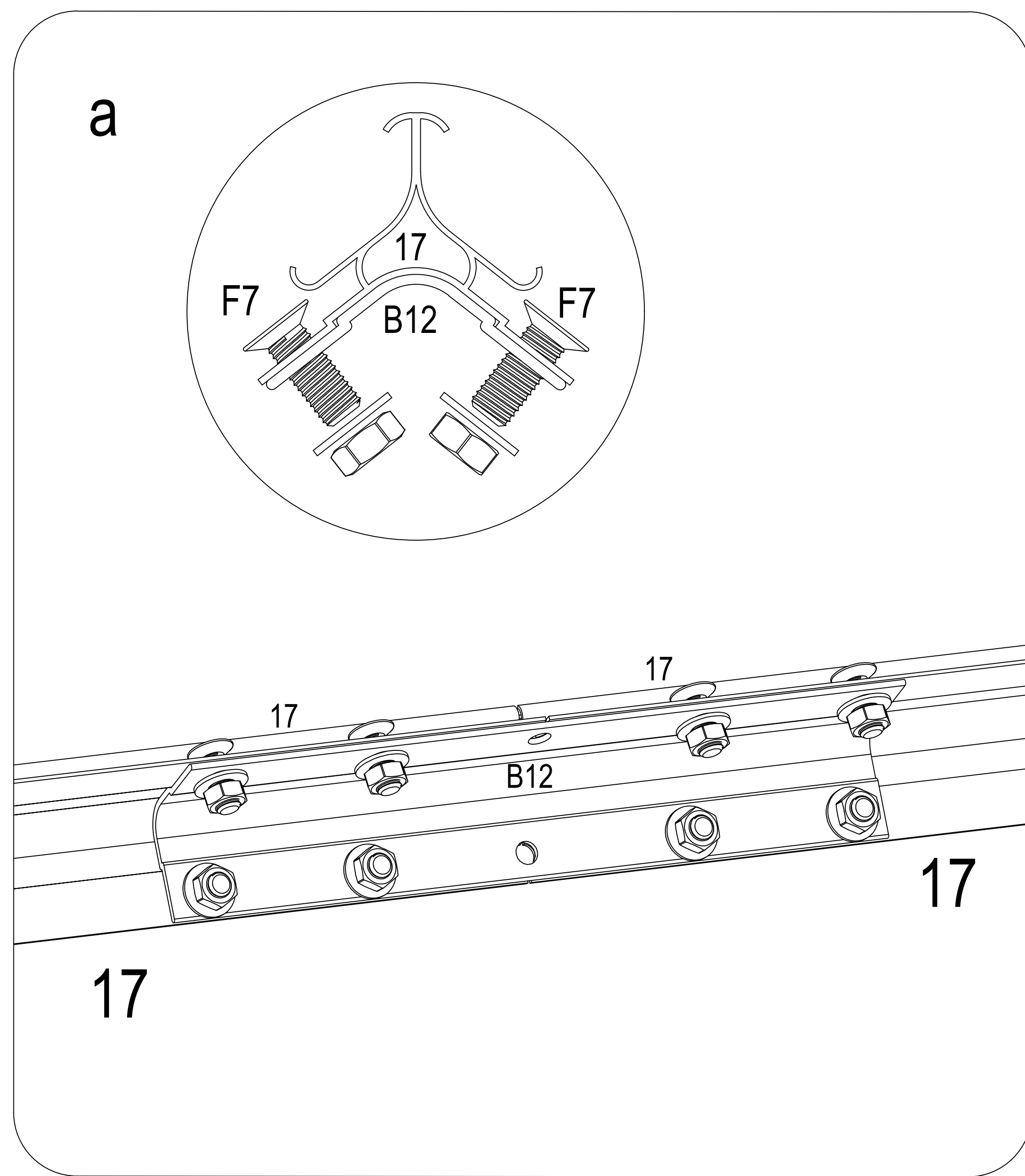
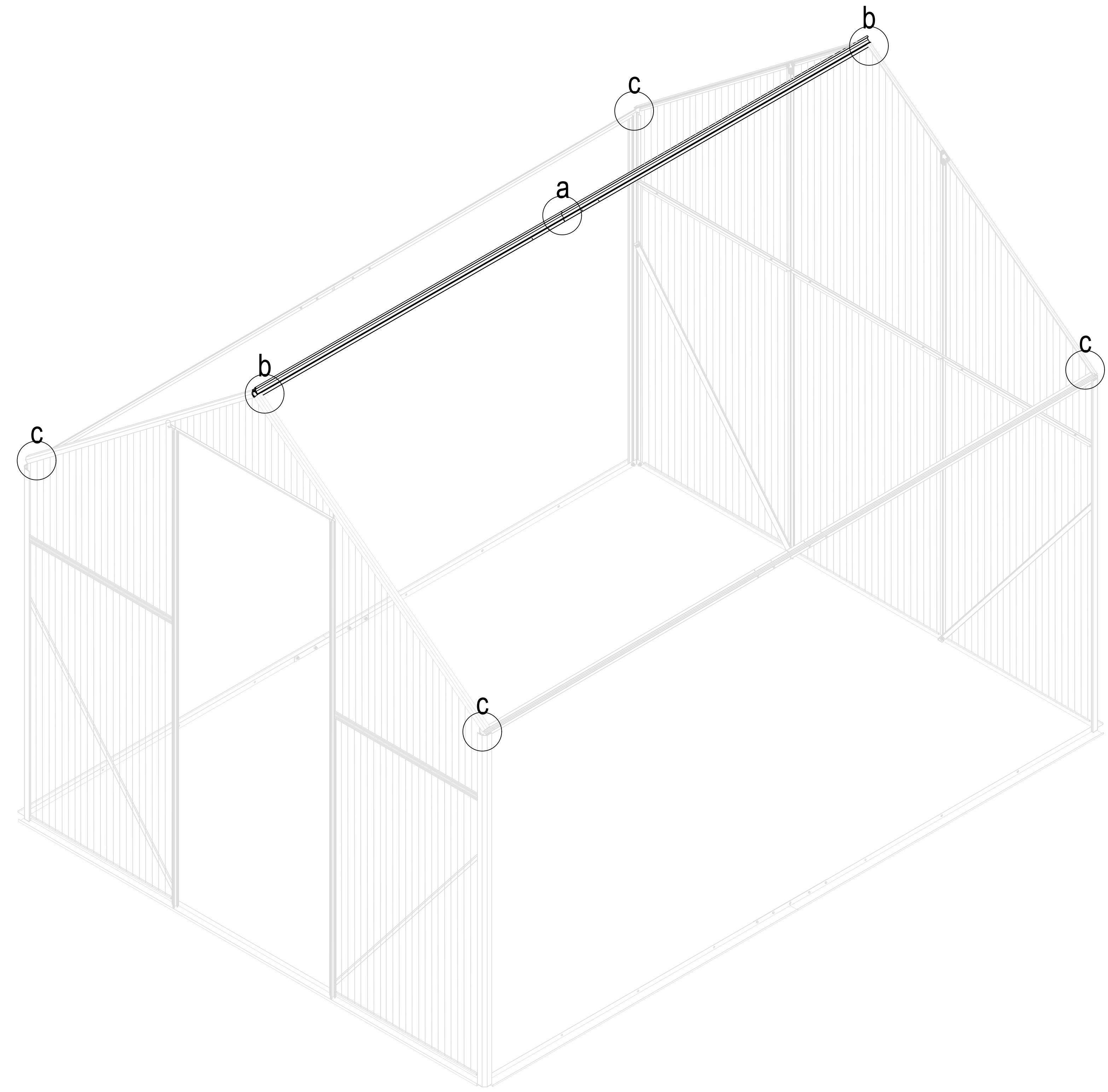
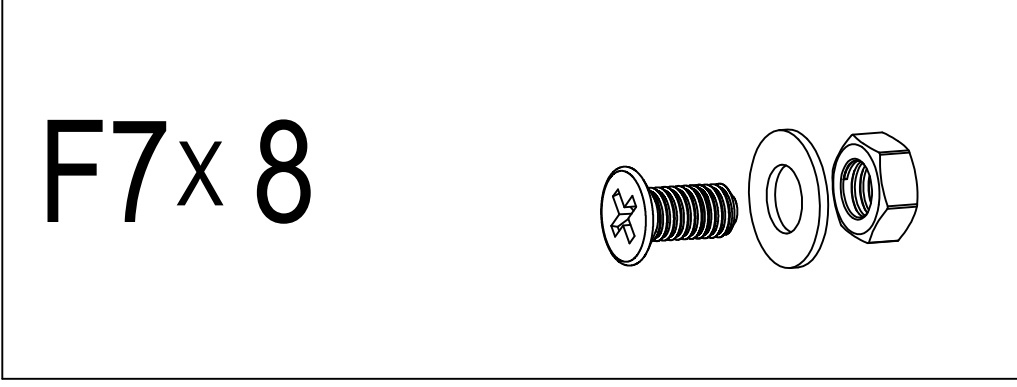
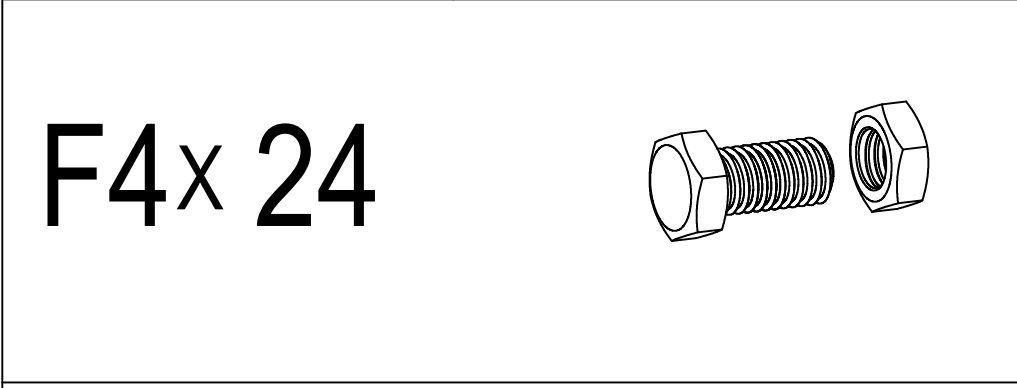
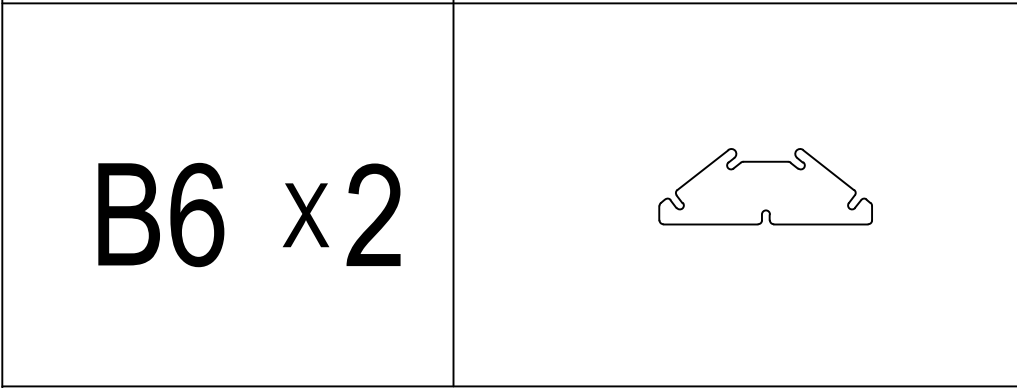
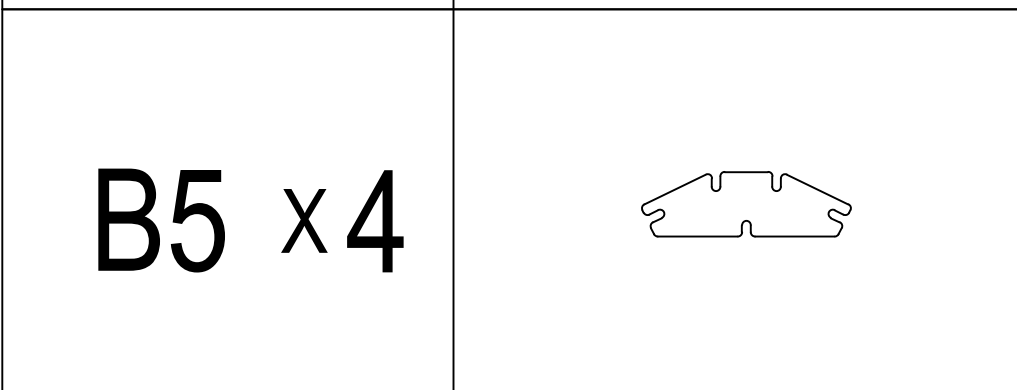
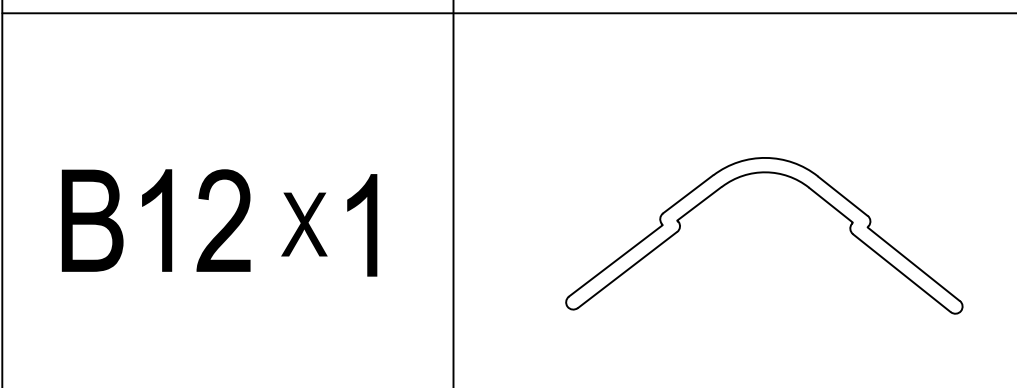
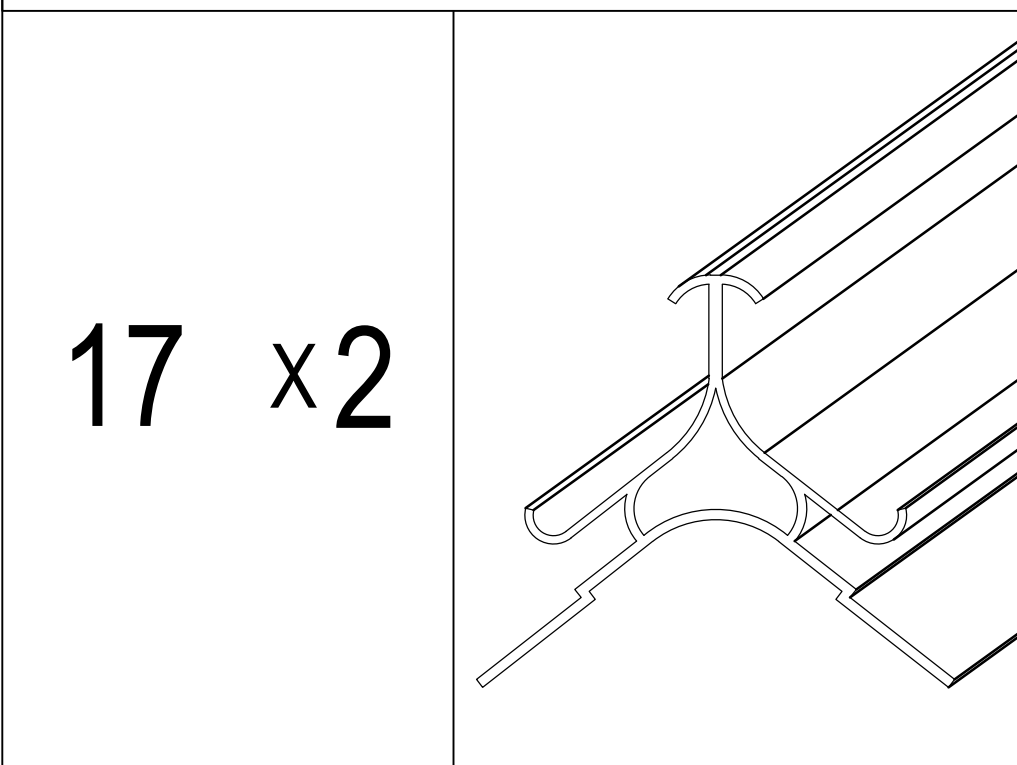
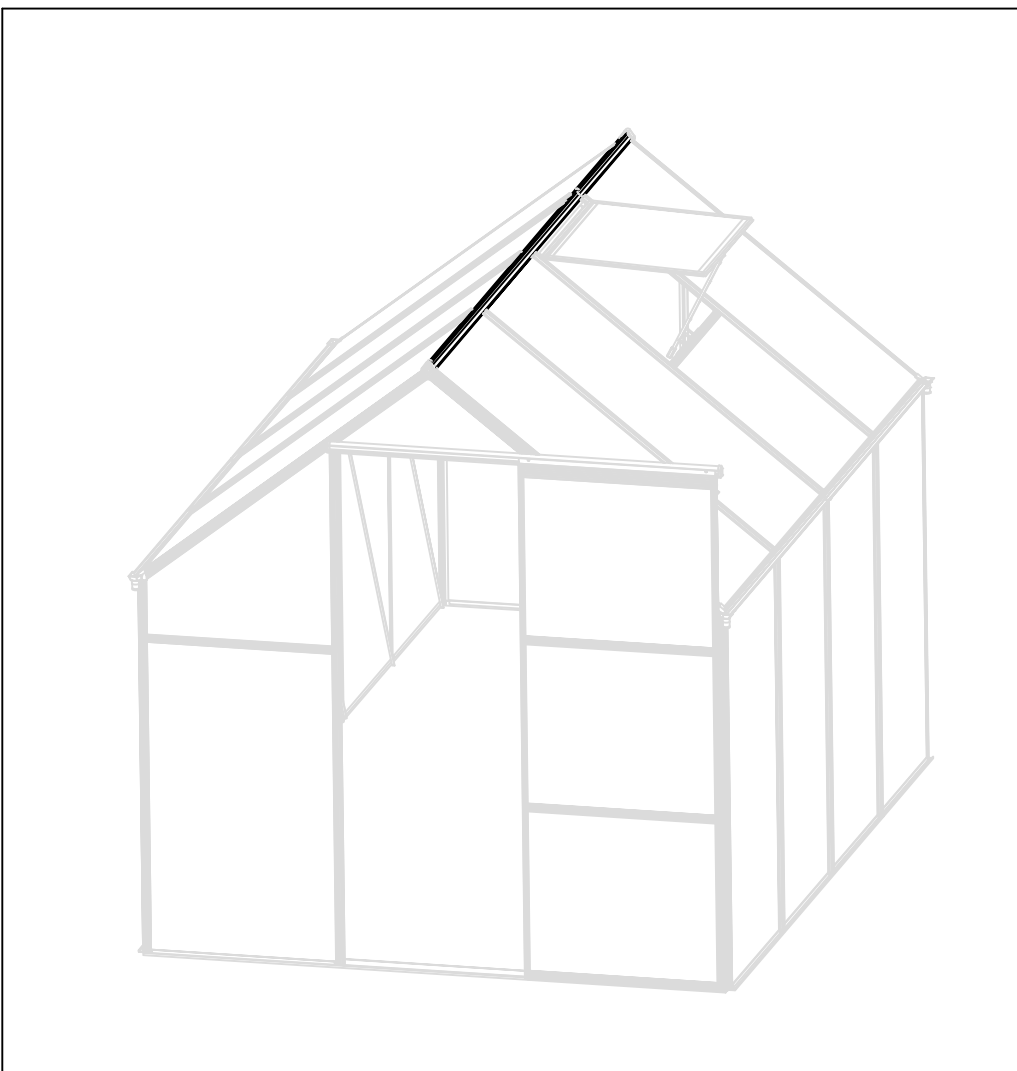


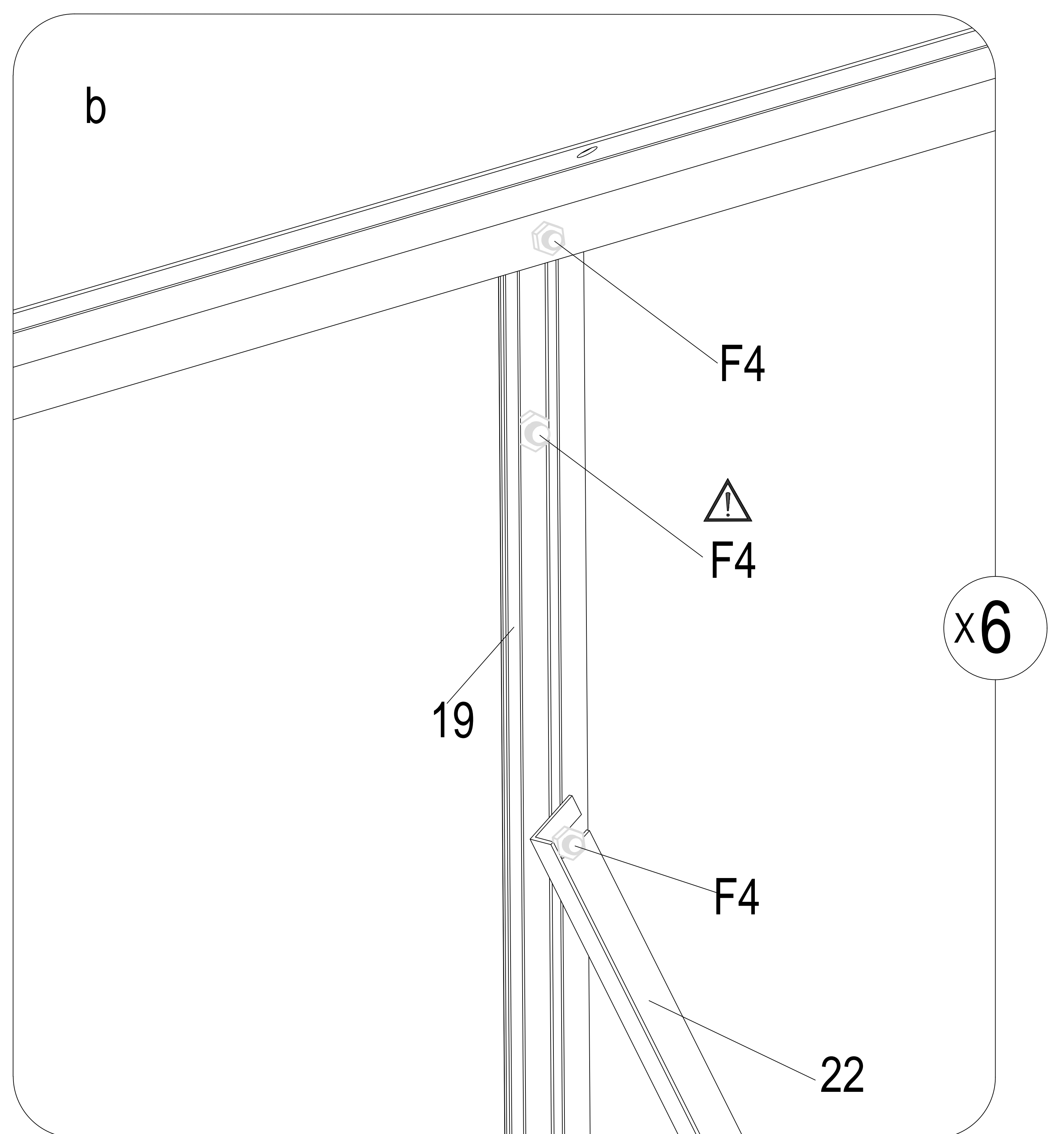
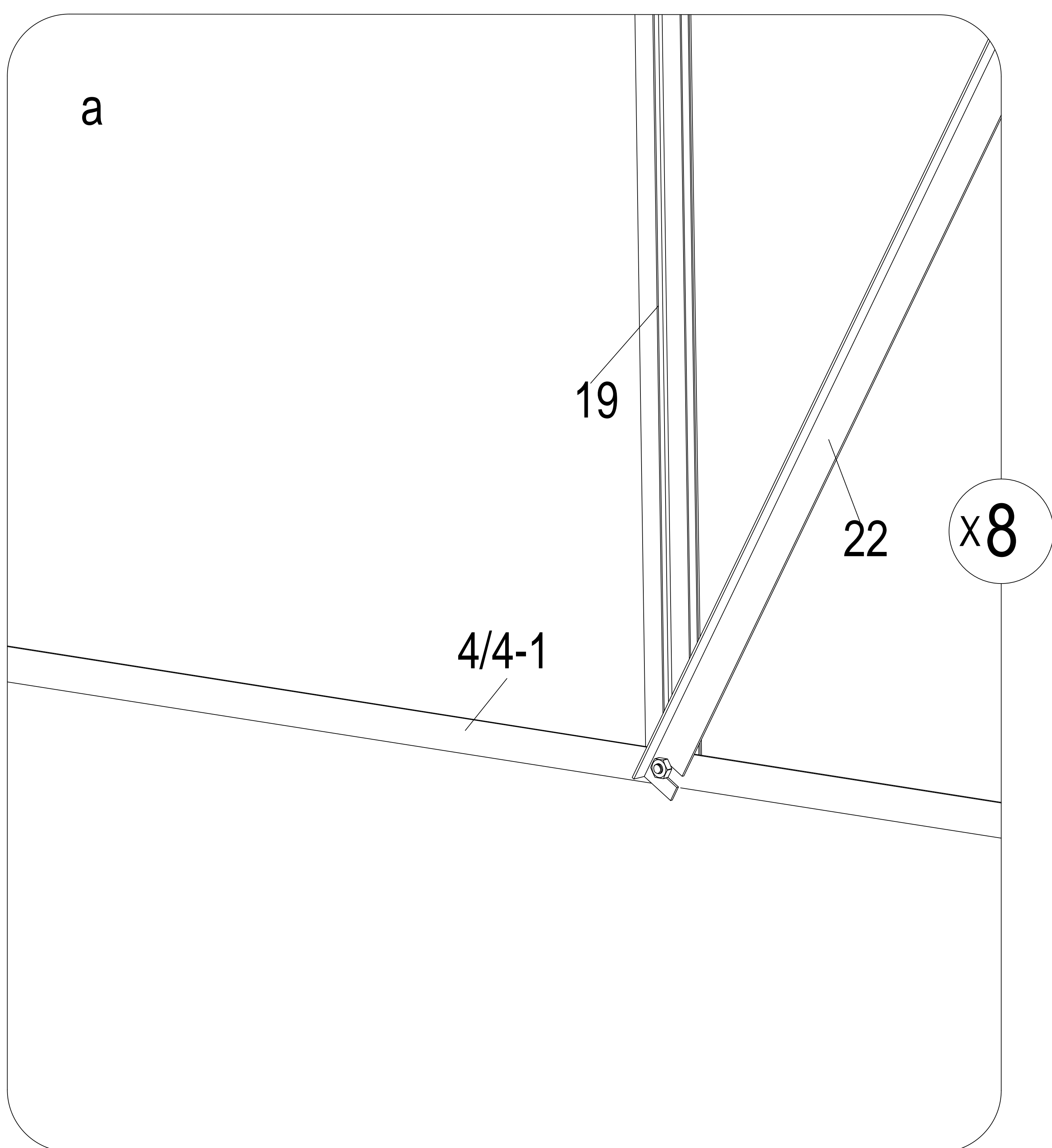
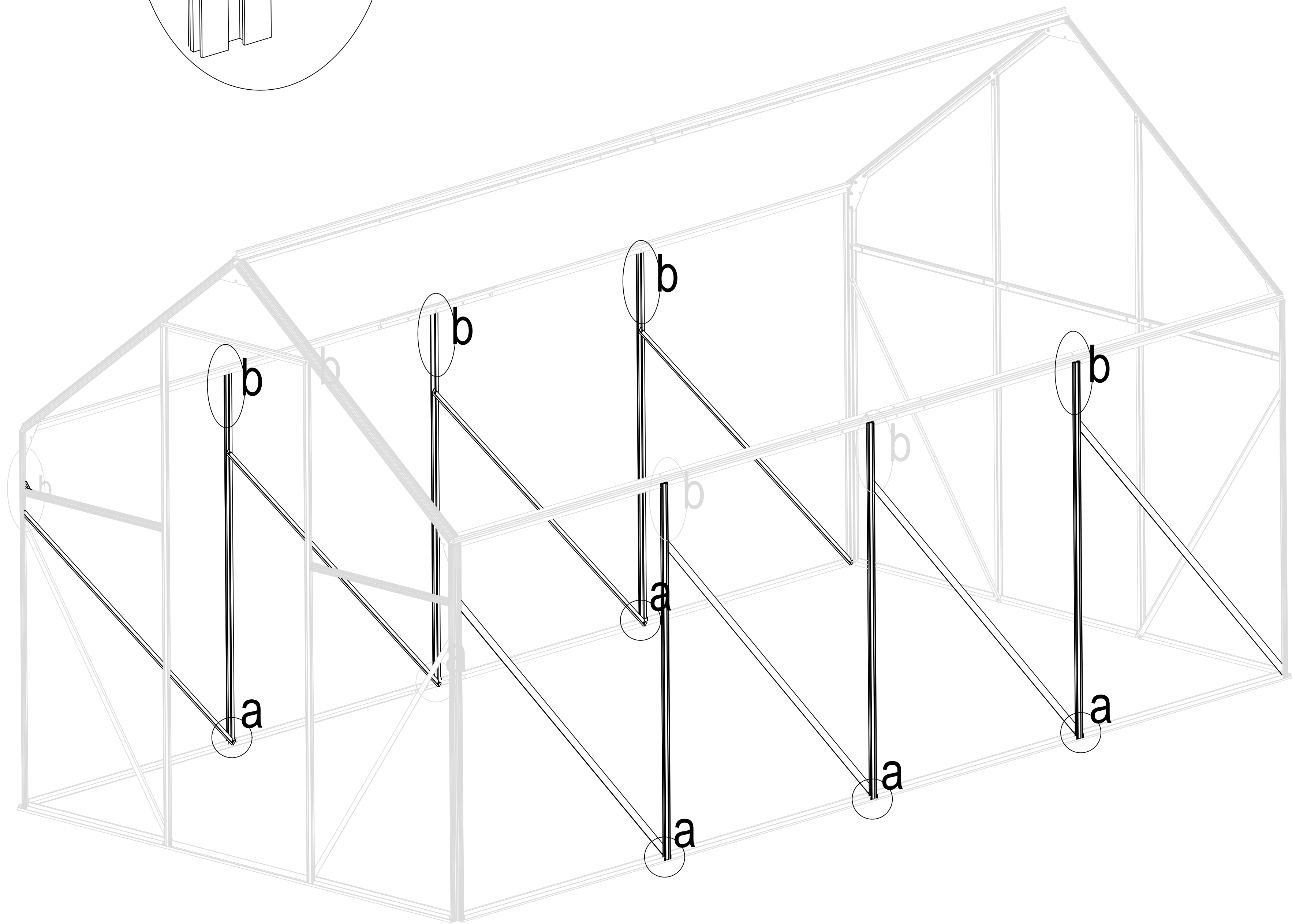
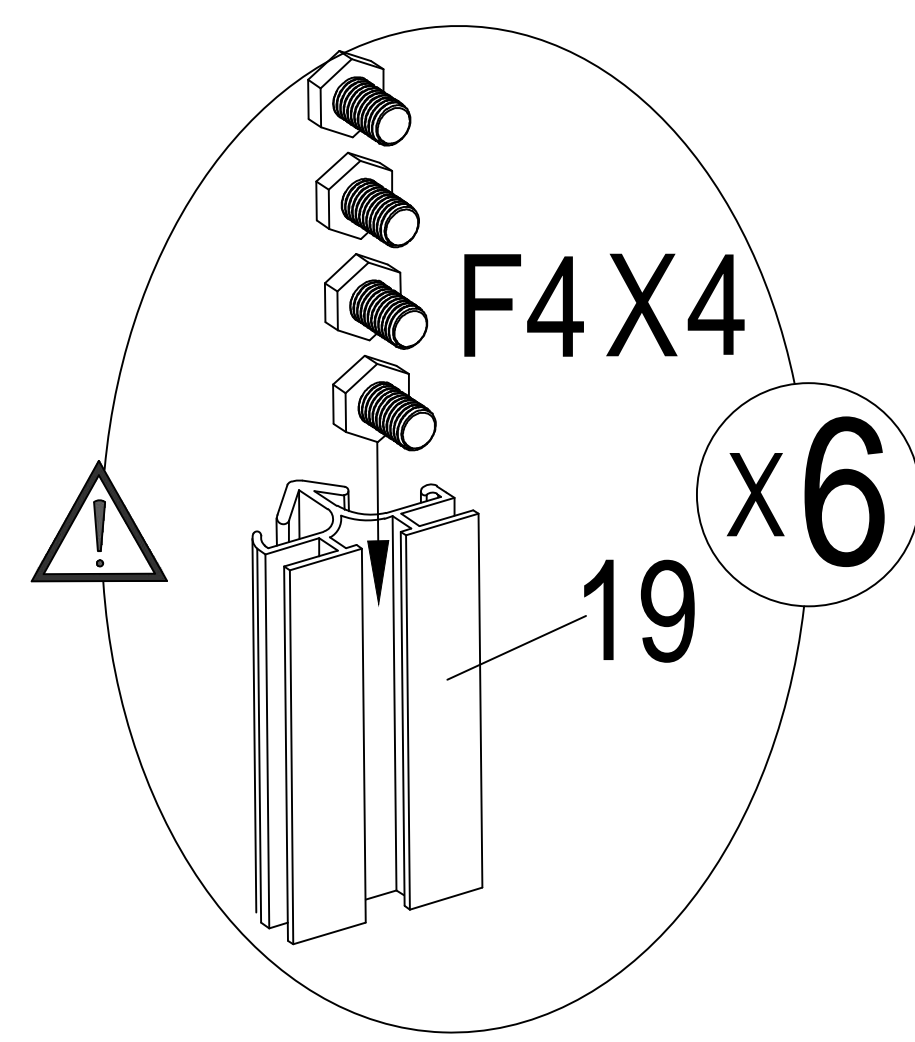
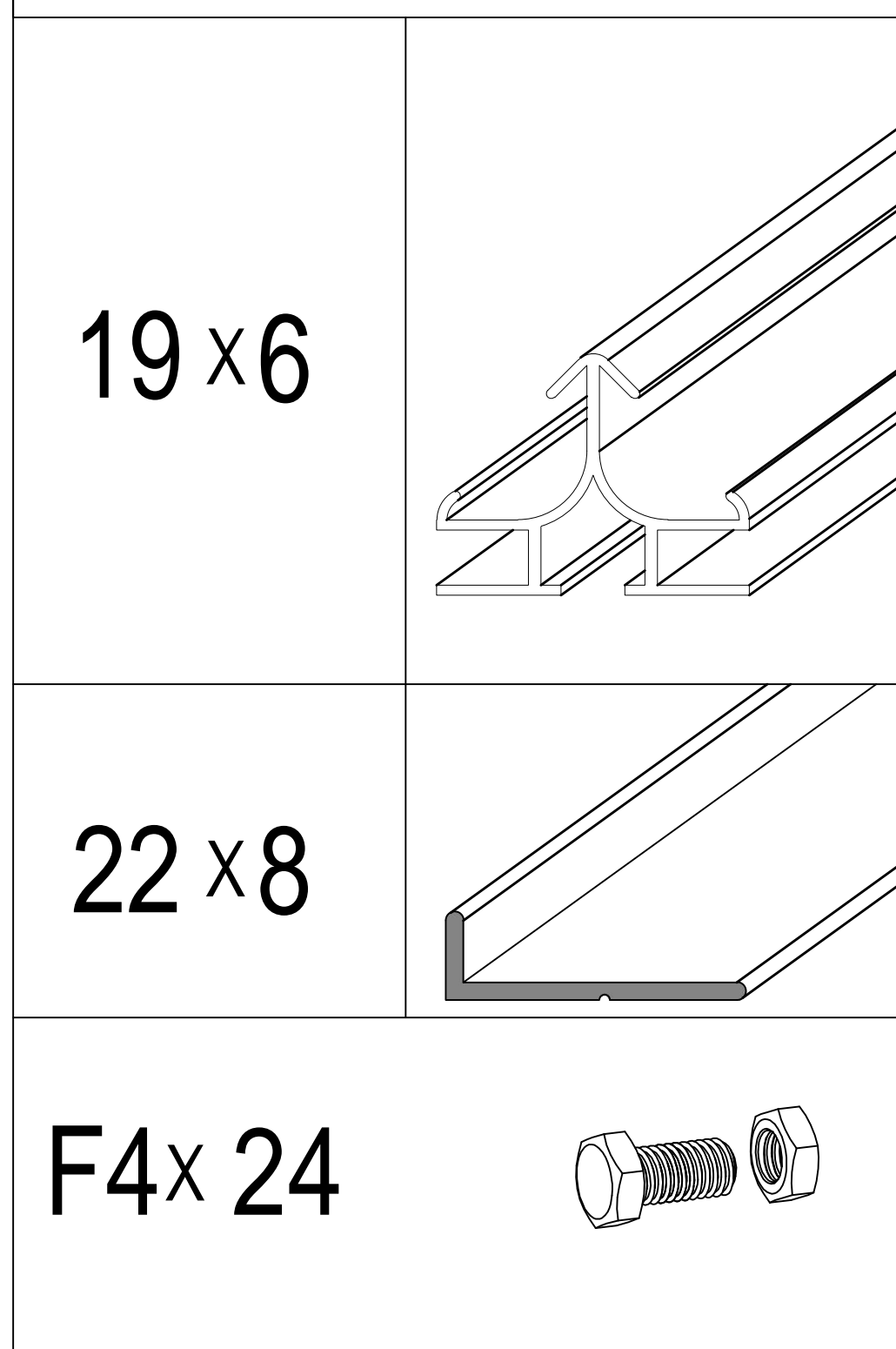
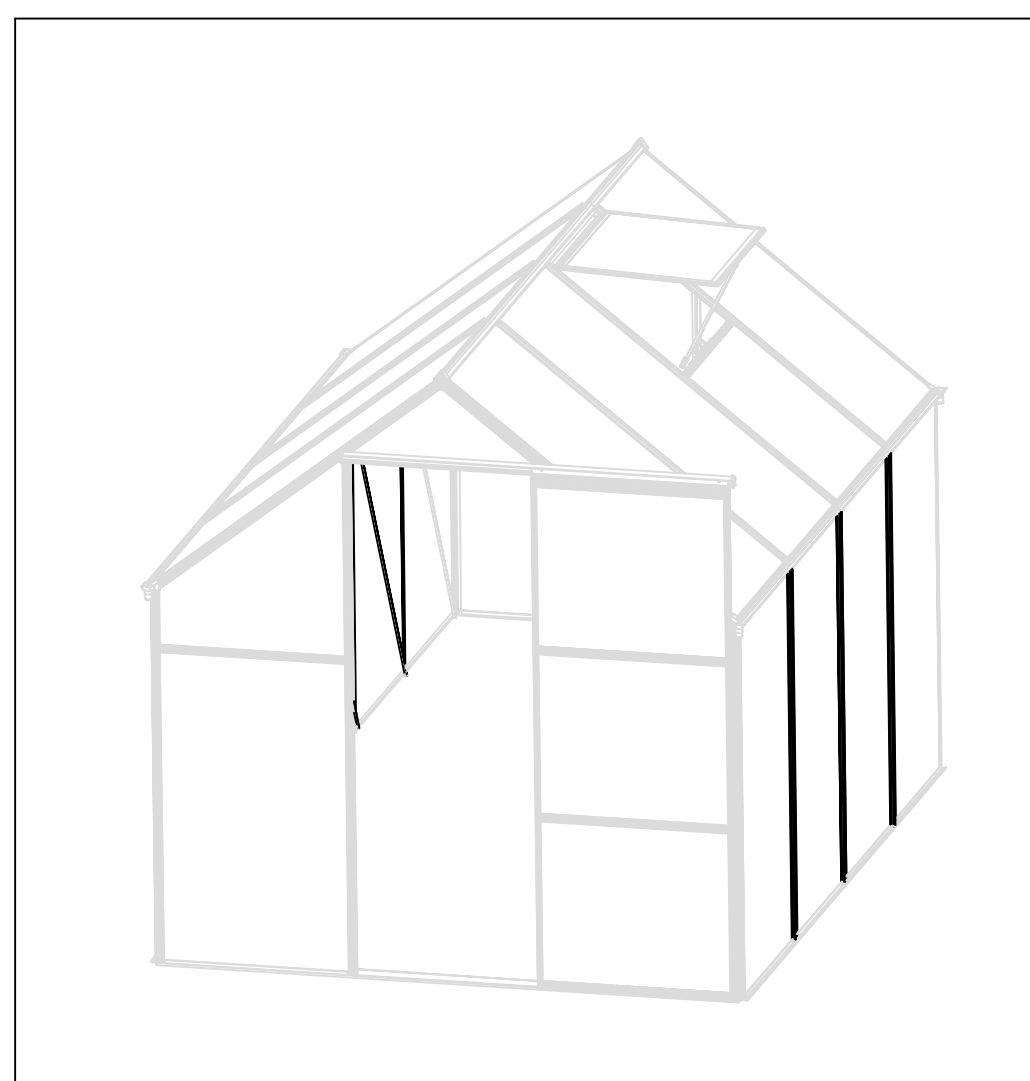
F4 x 8

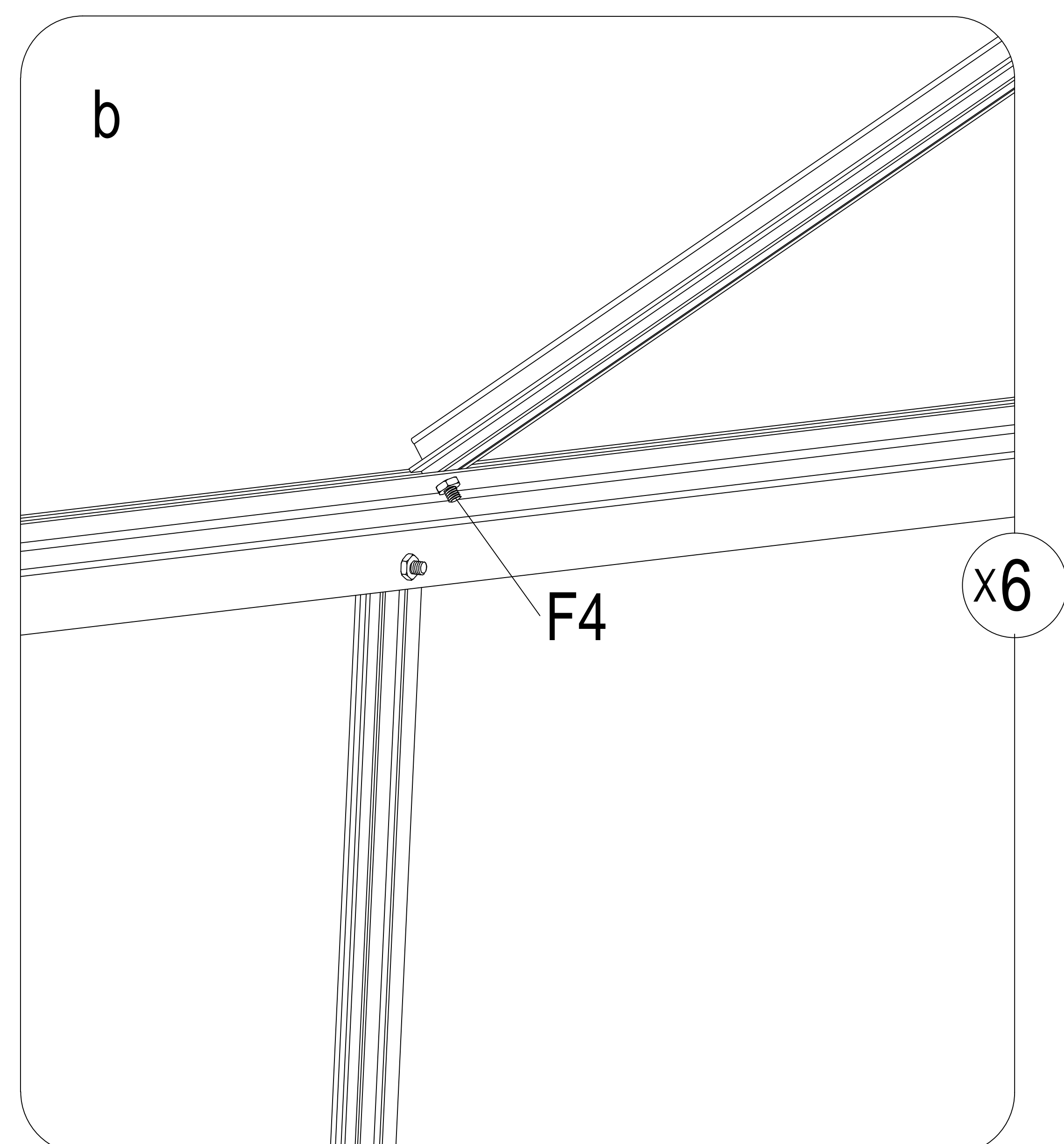
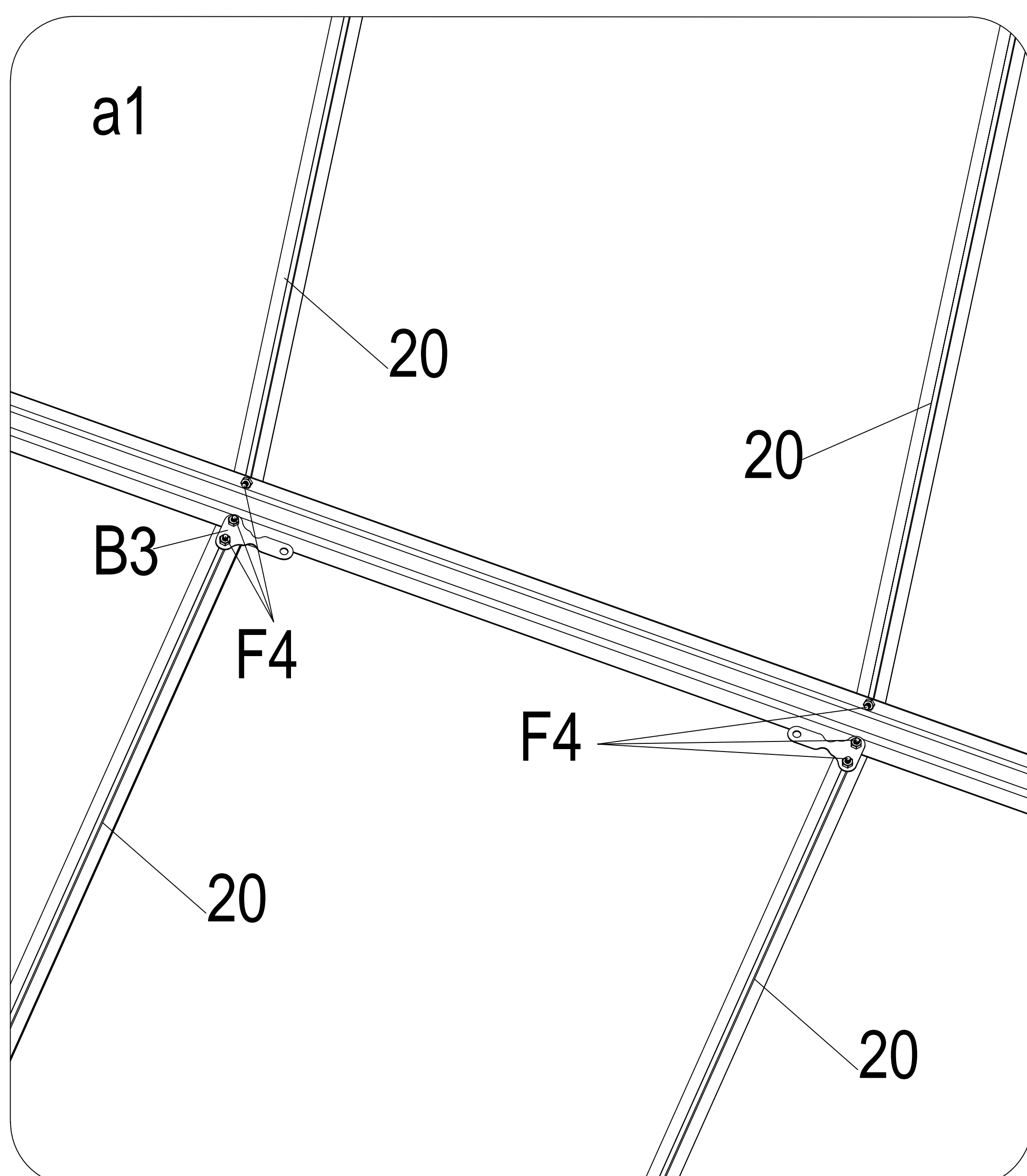
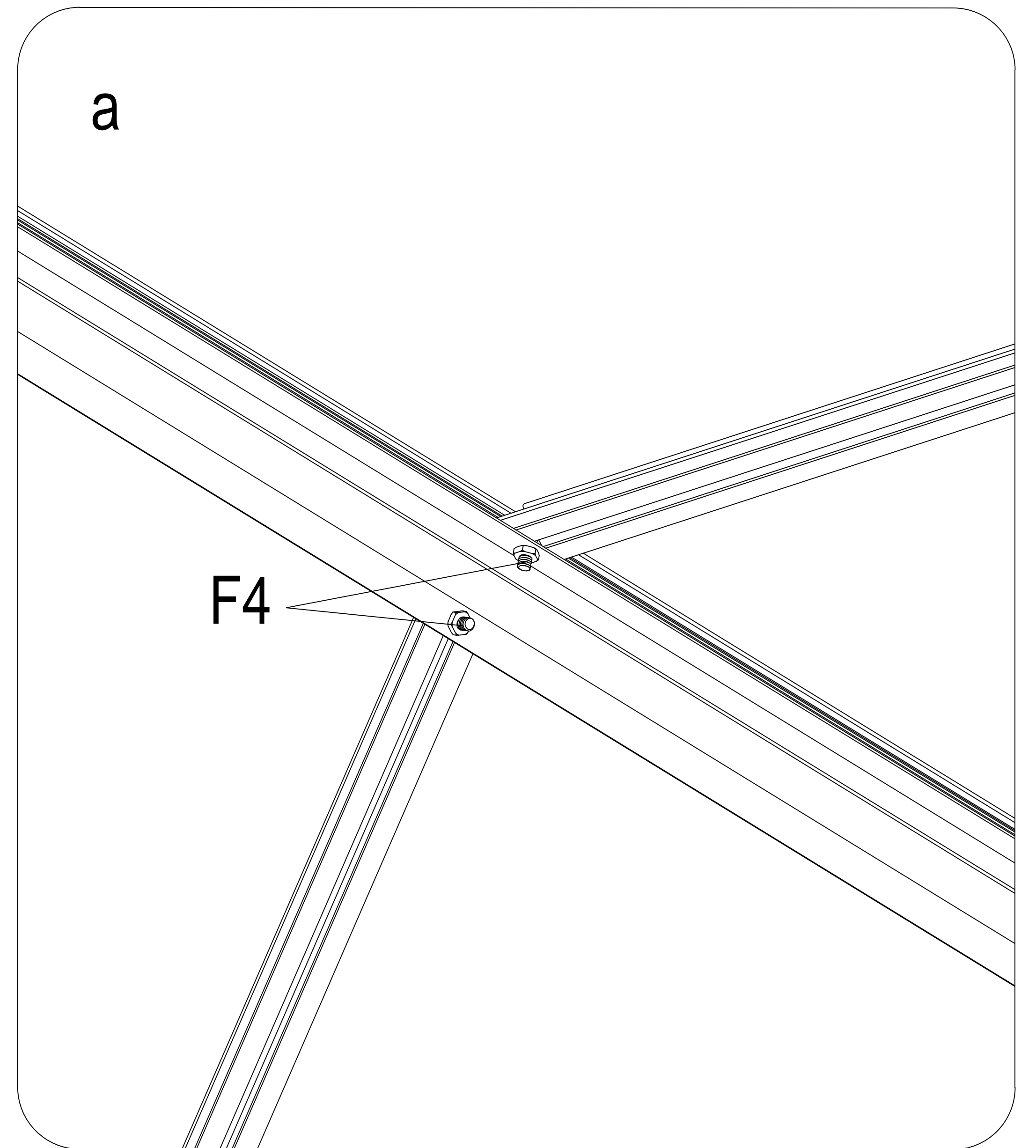
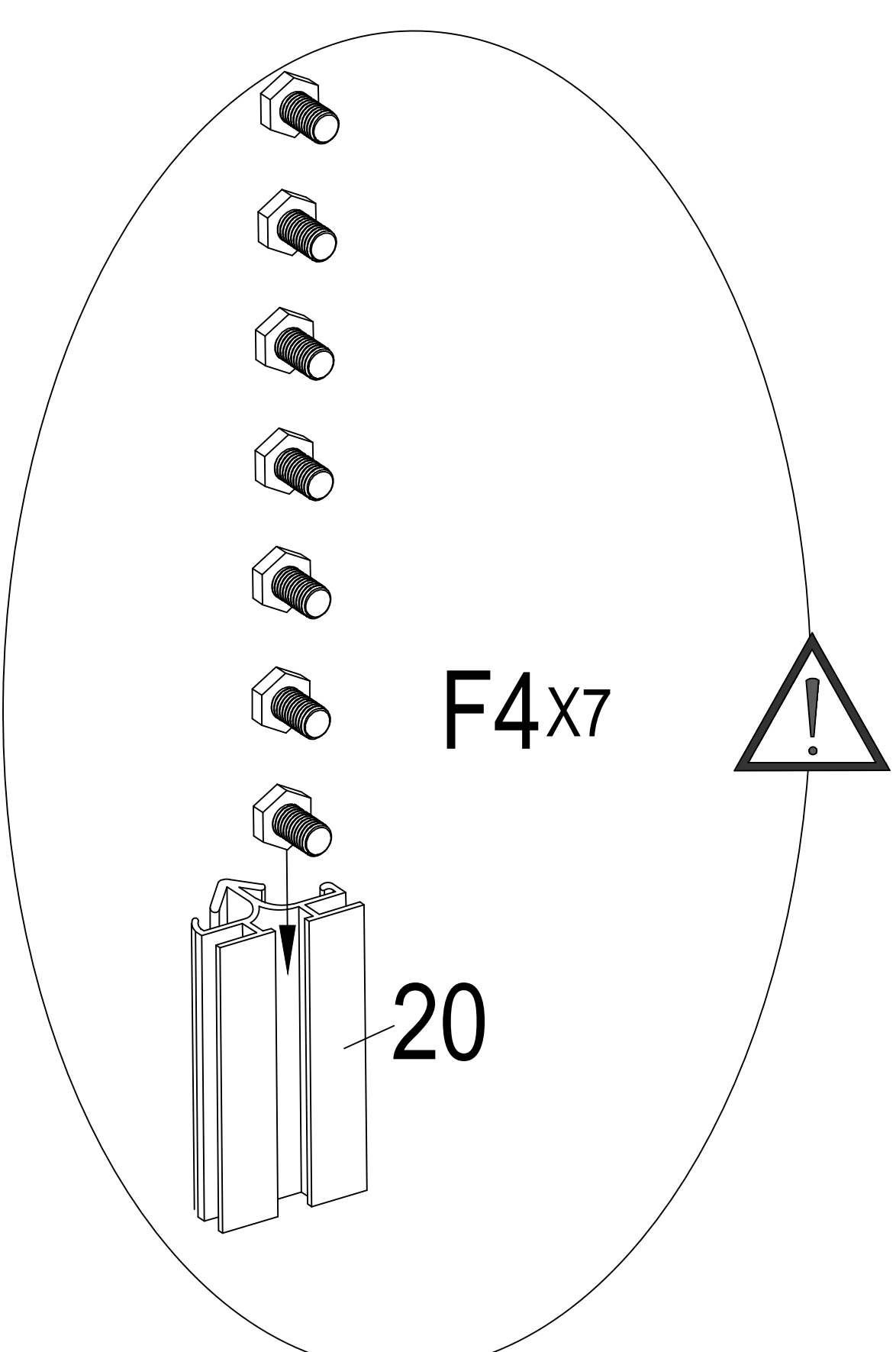
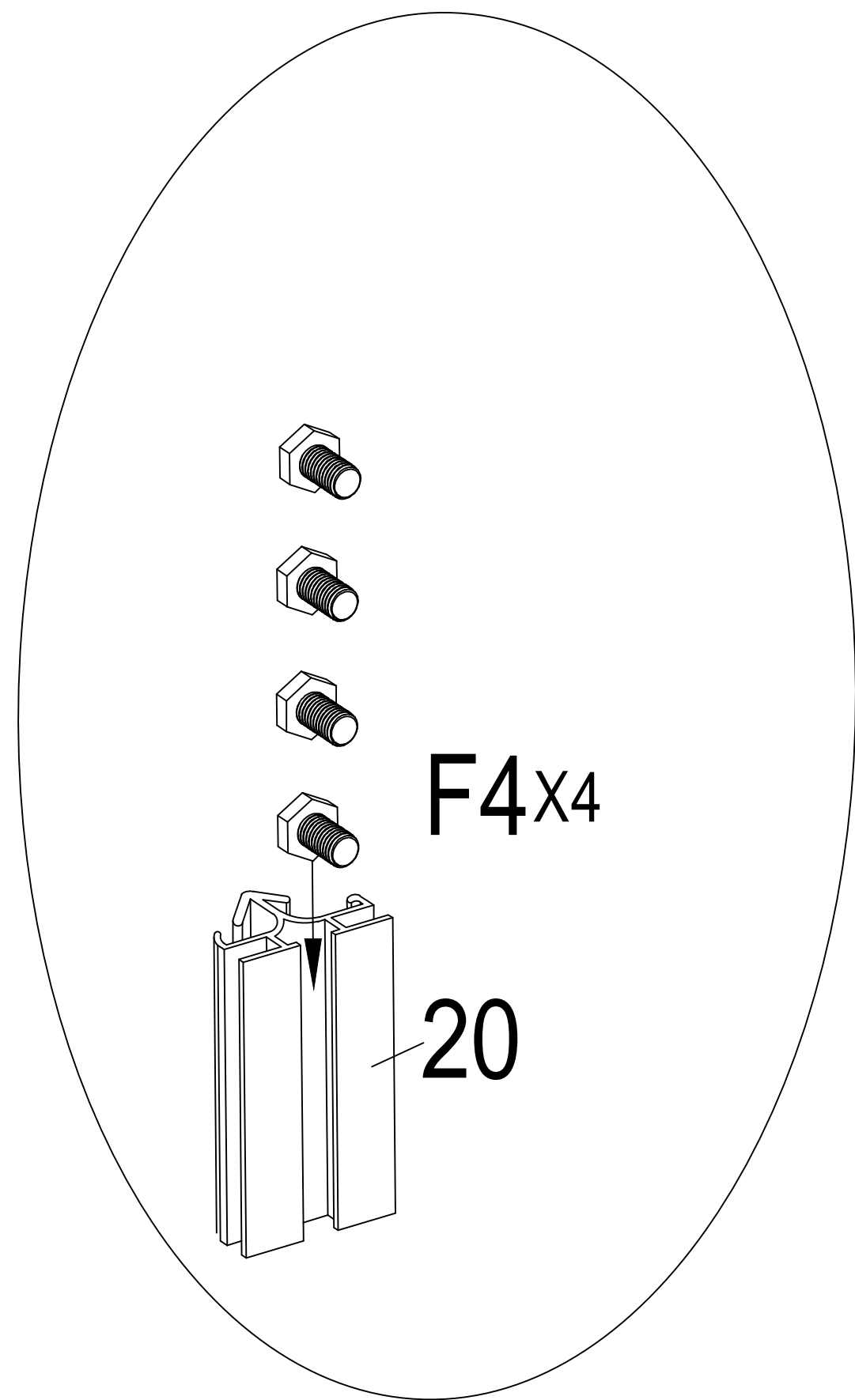
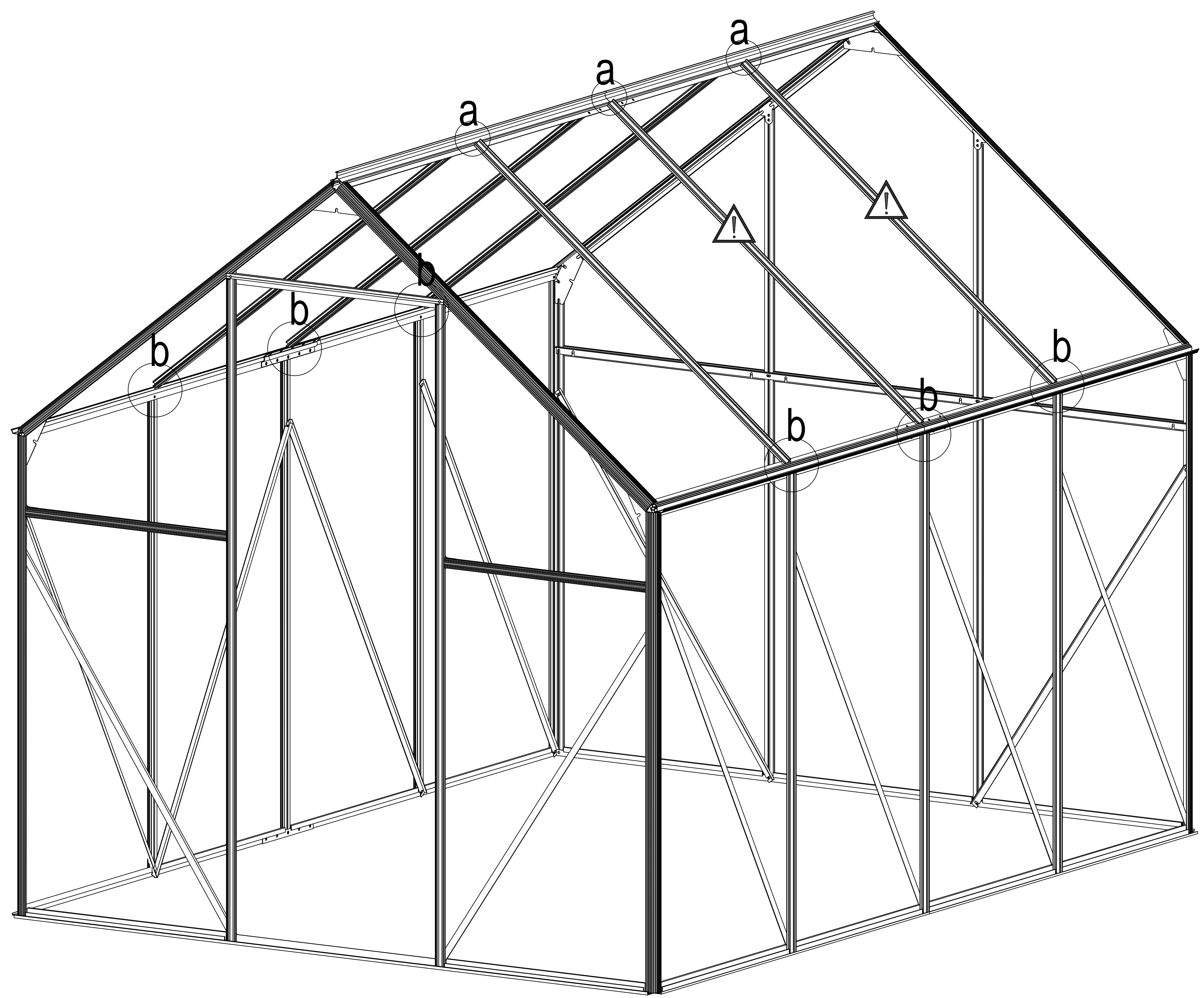
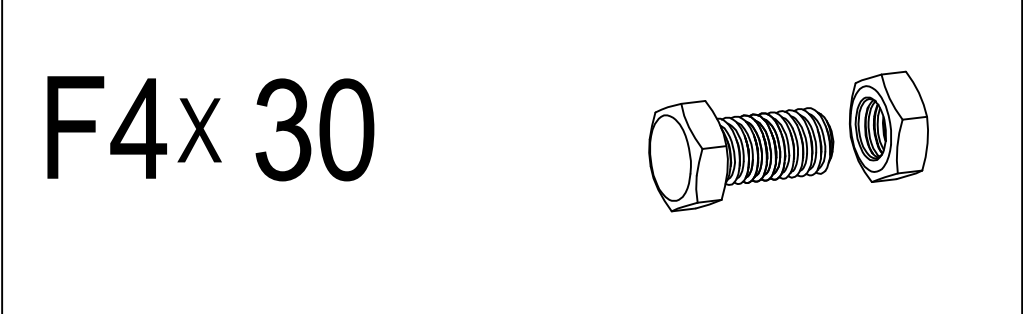
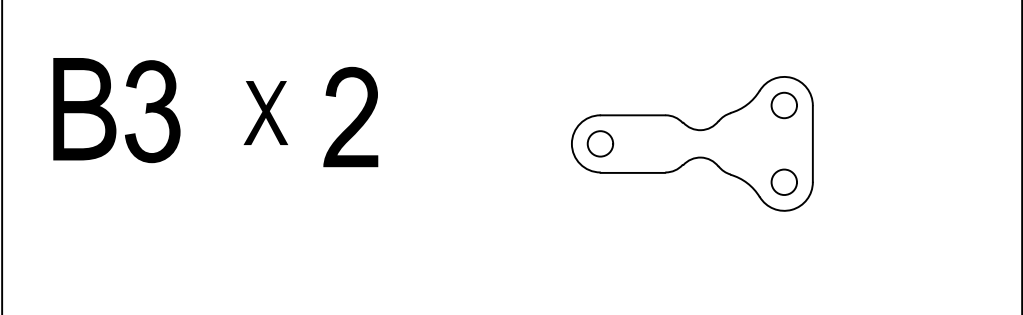
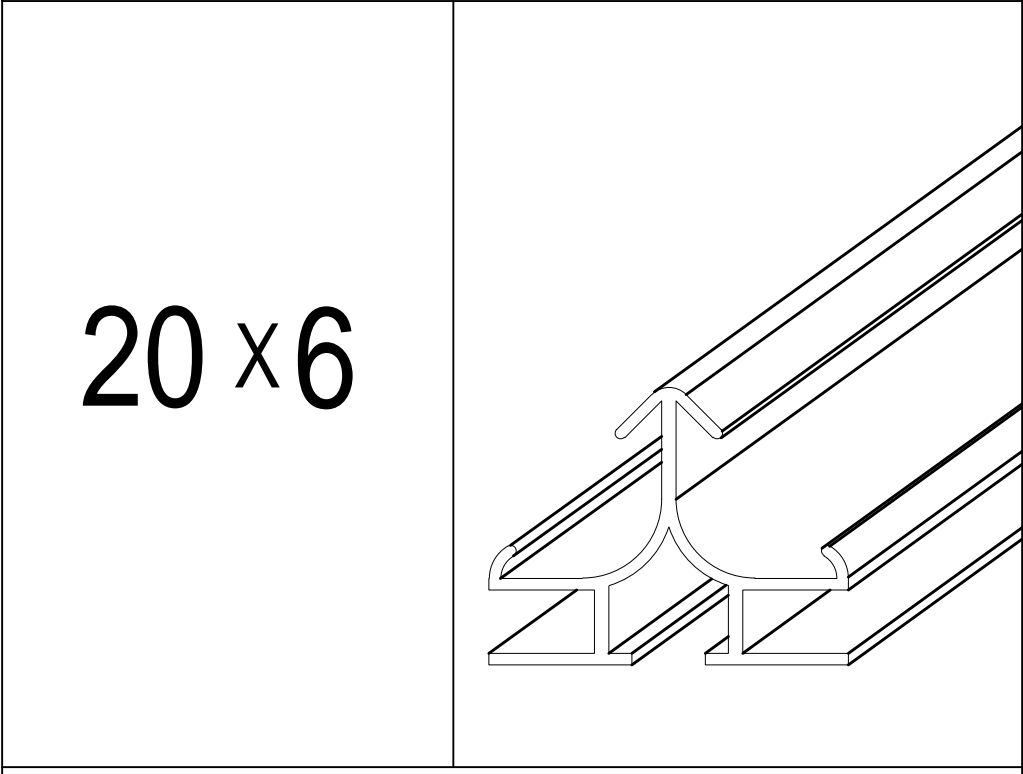
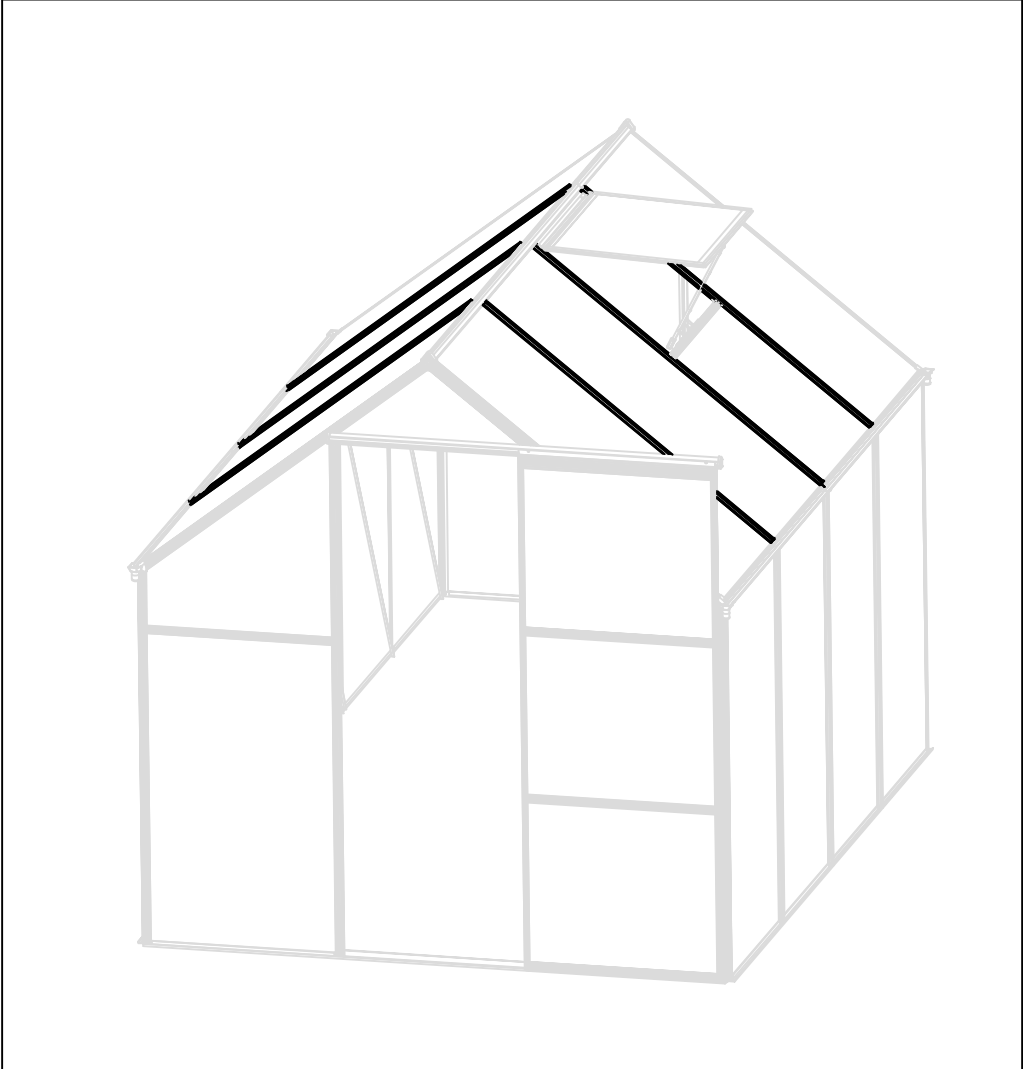


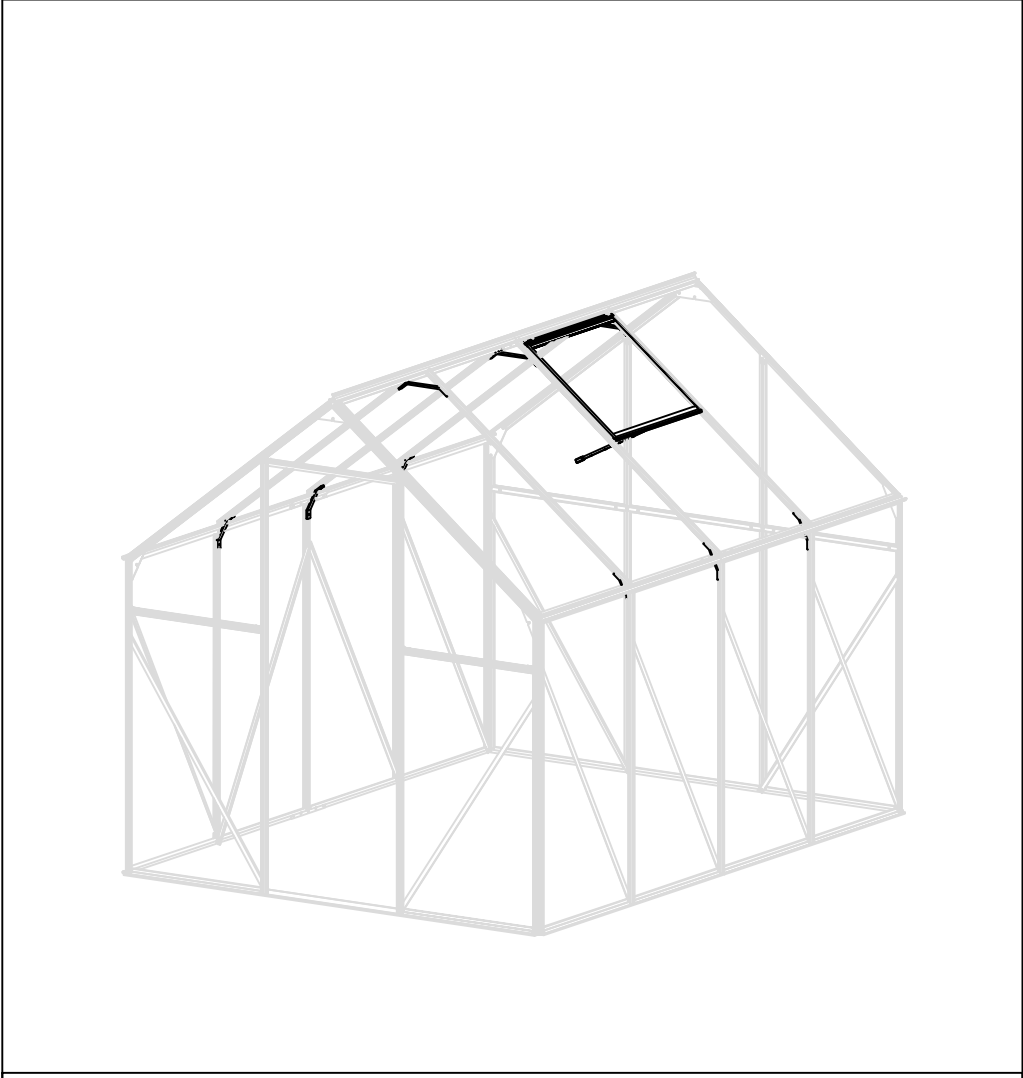
F6 x 2



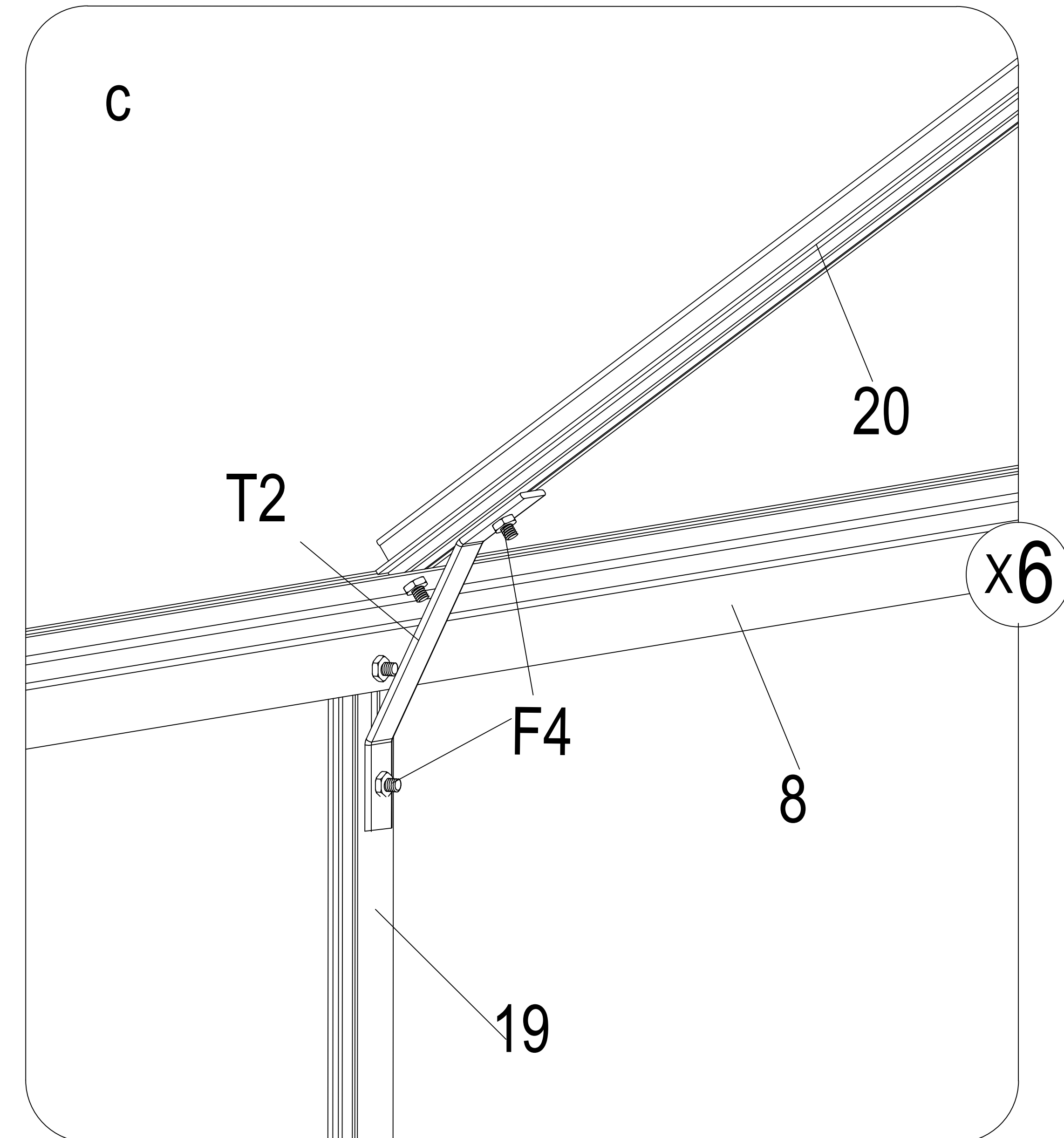
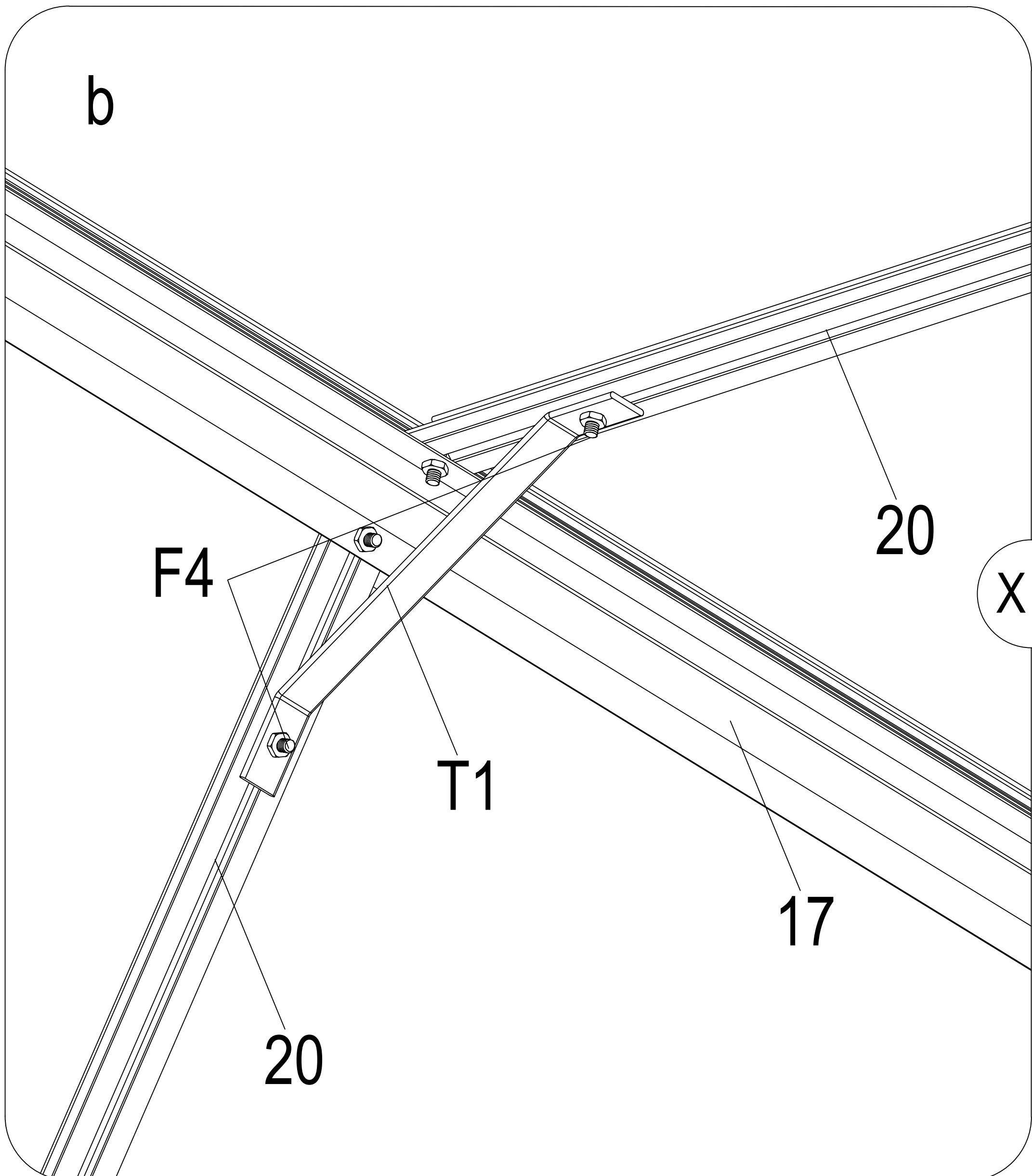
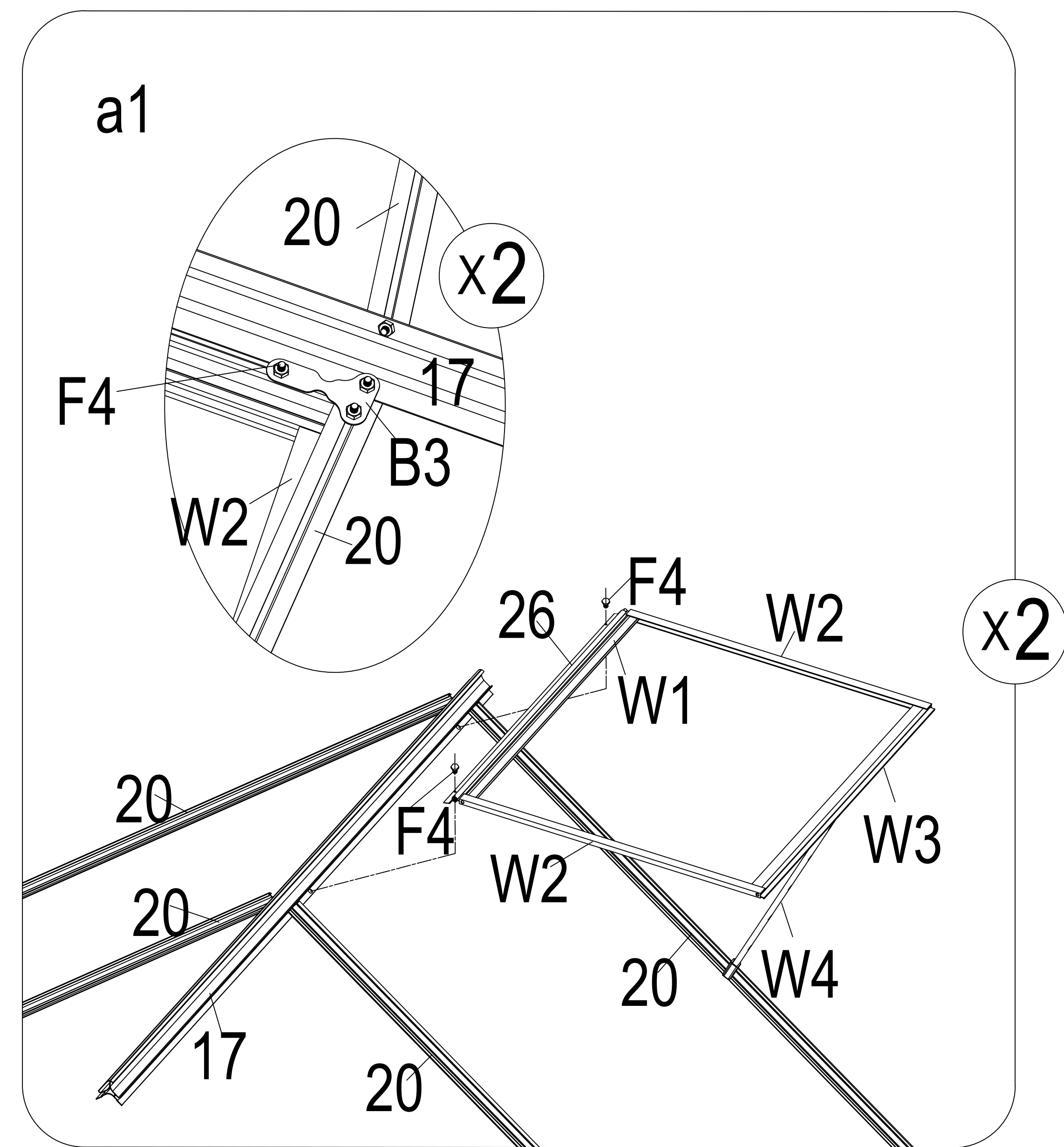
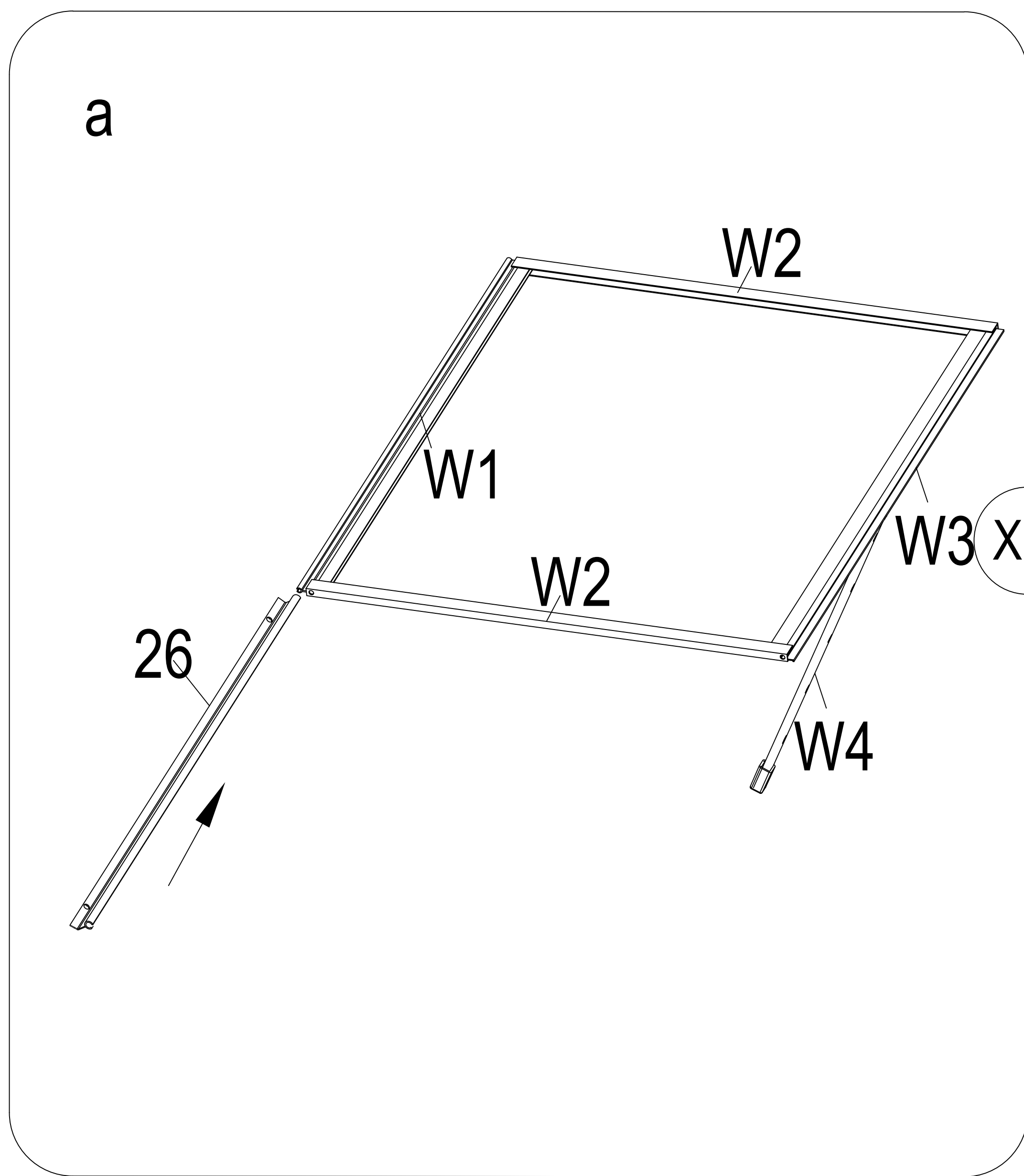
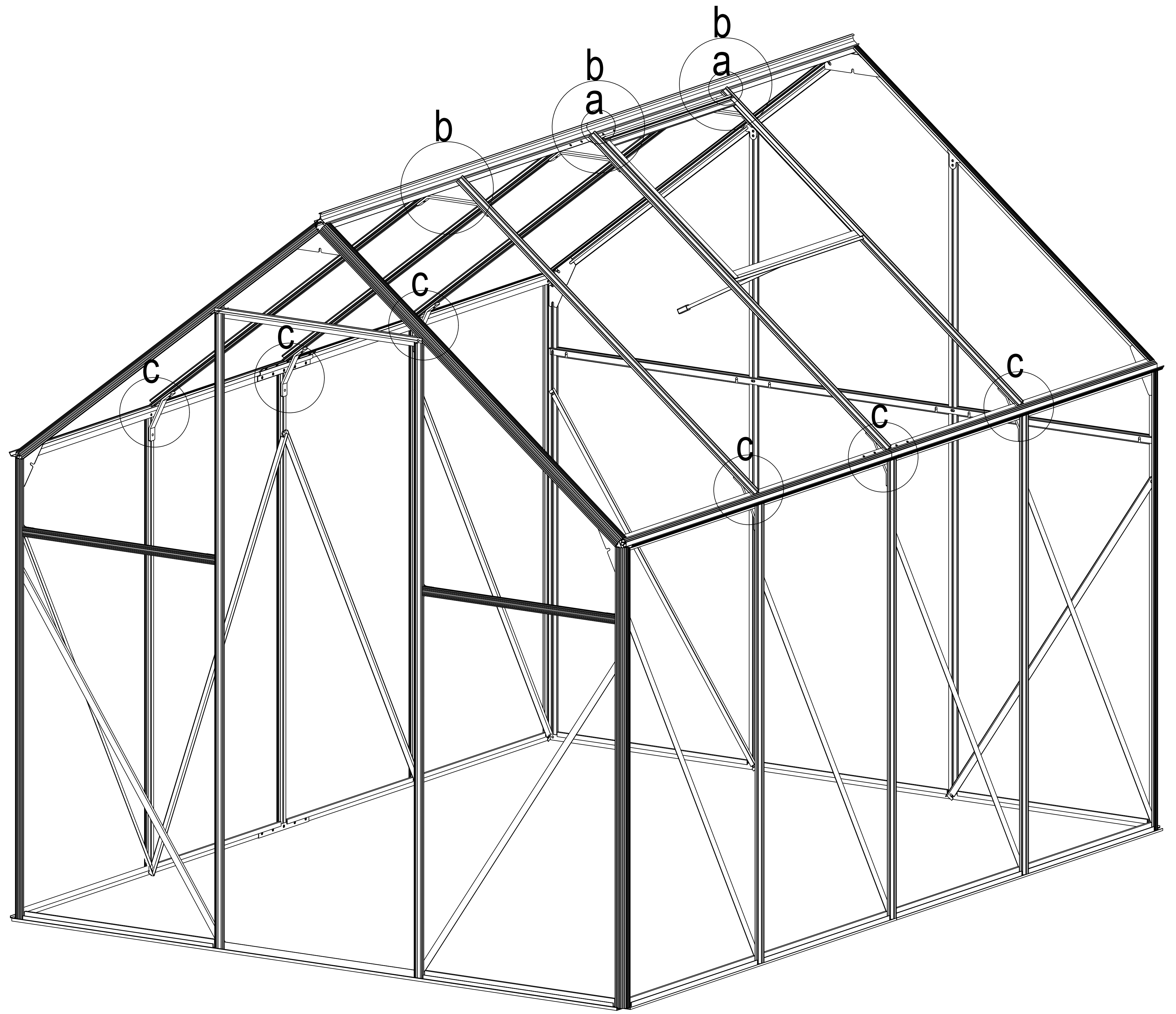


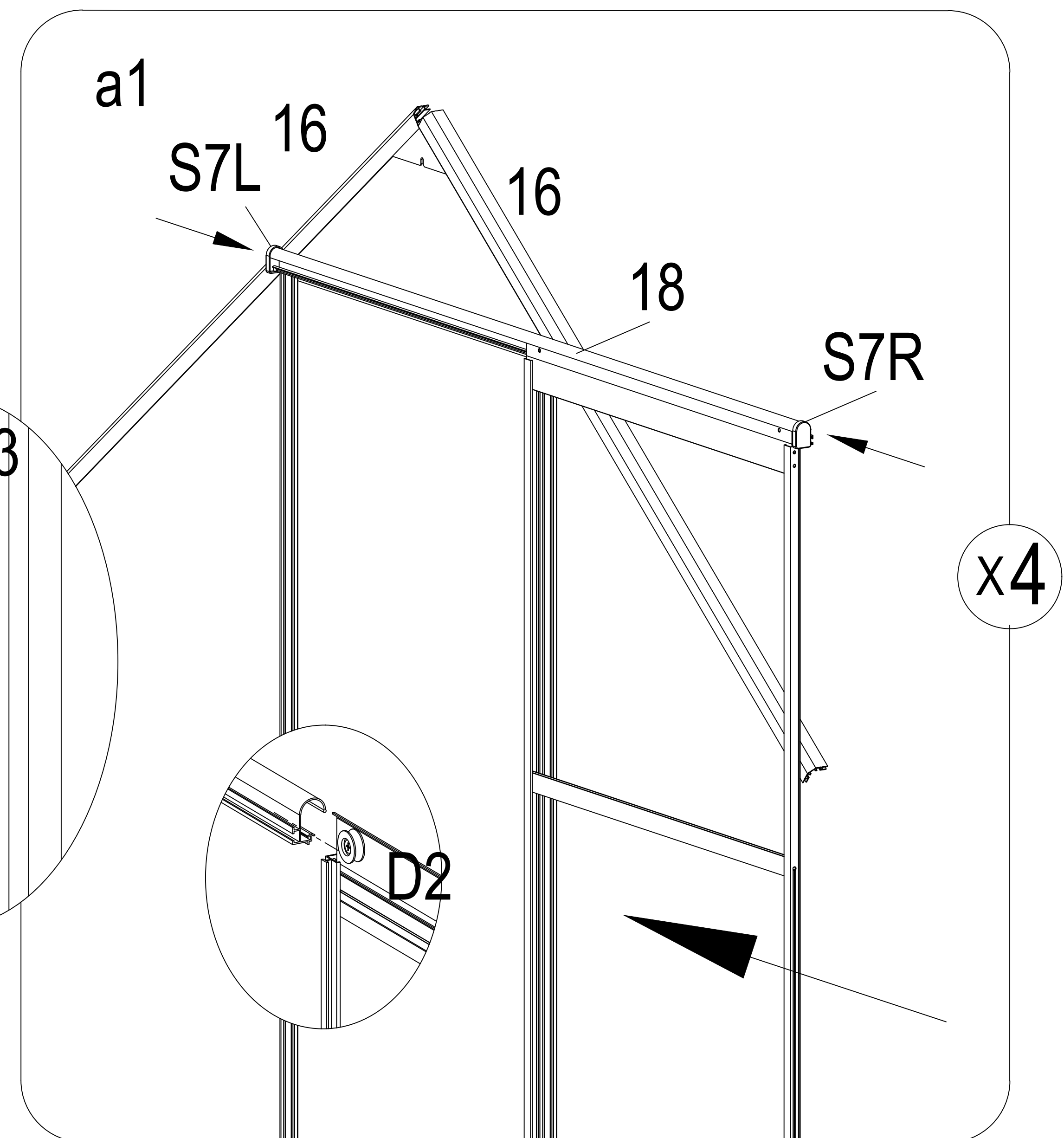
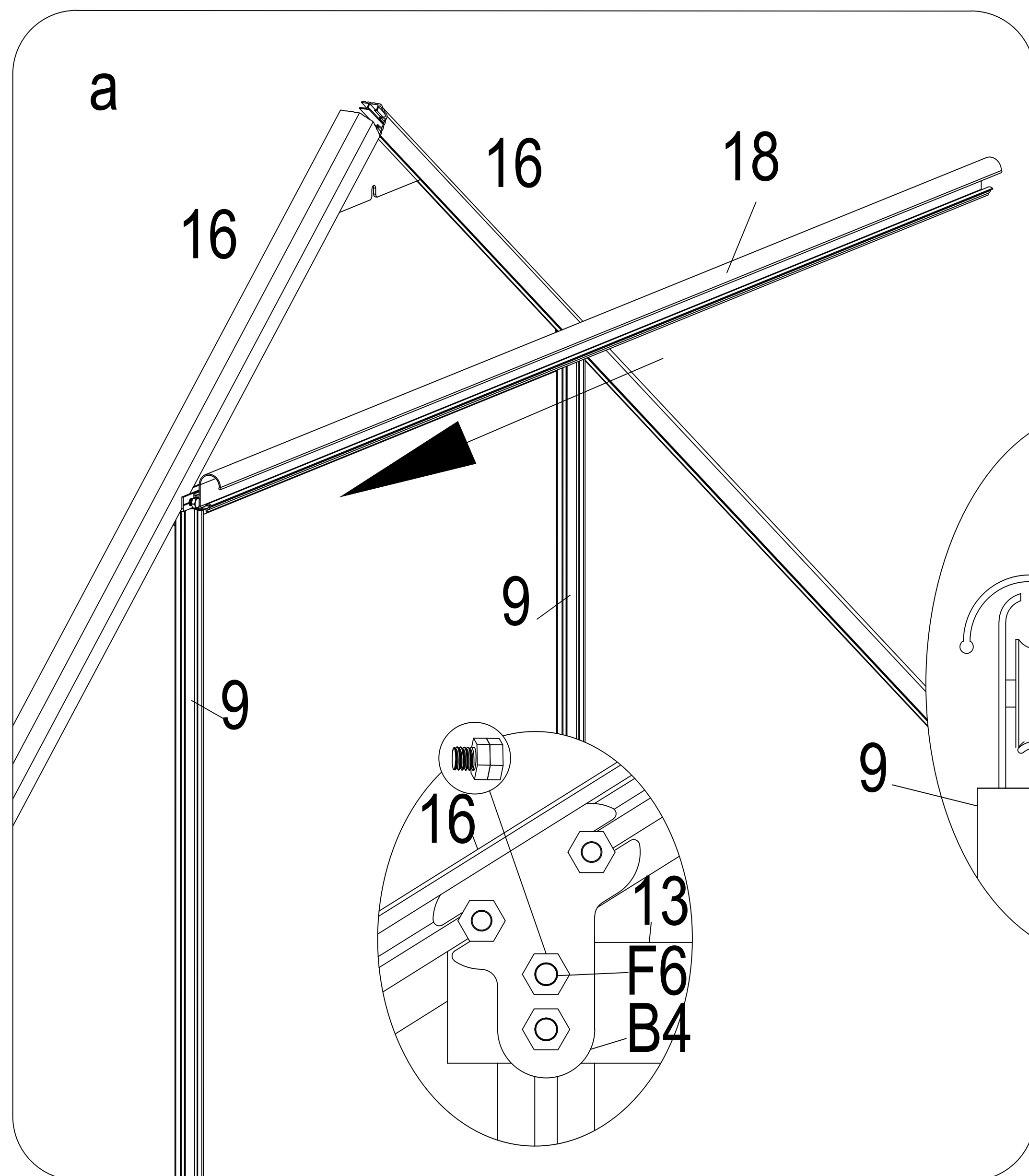
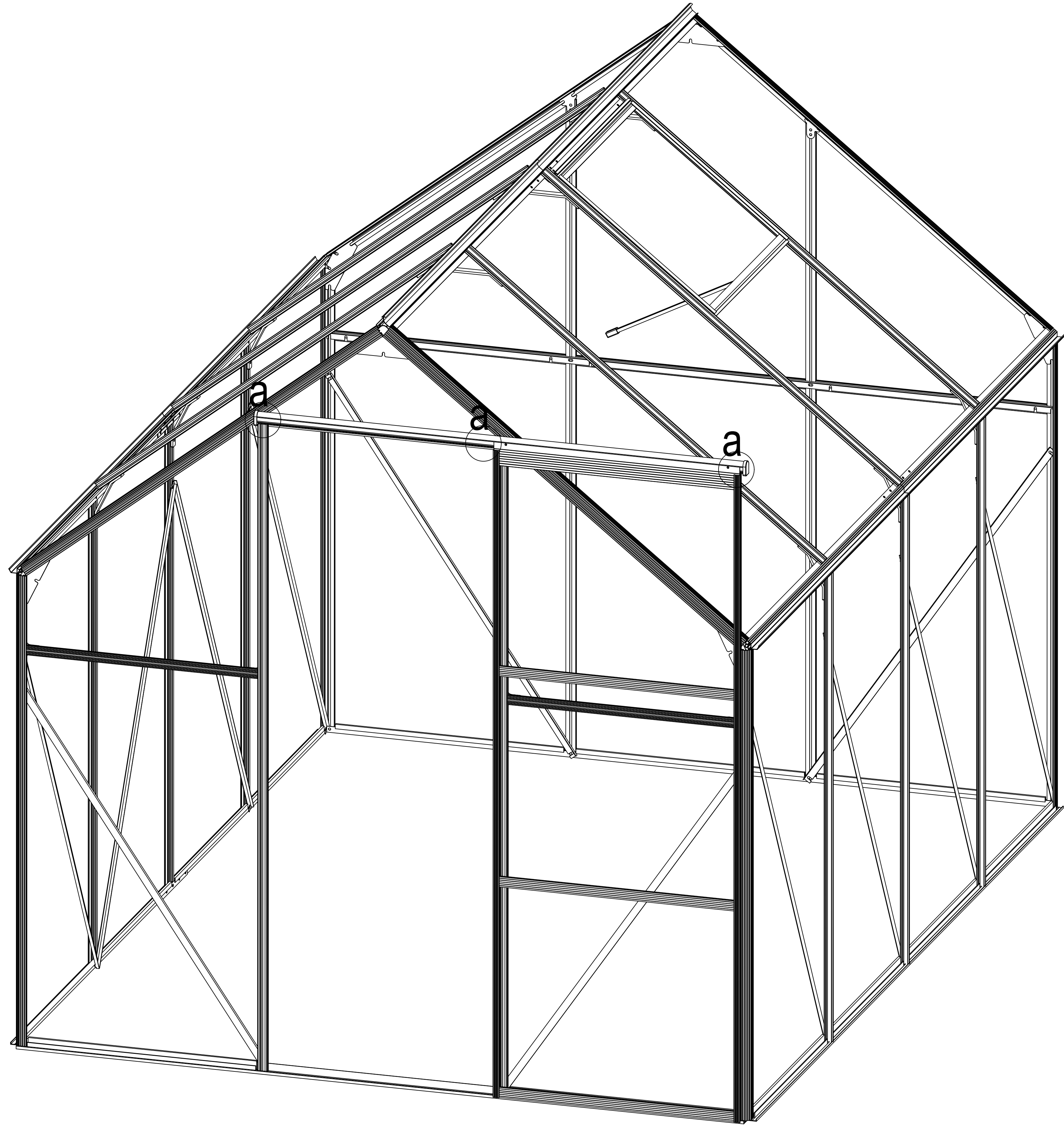
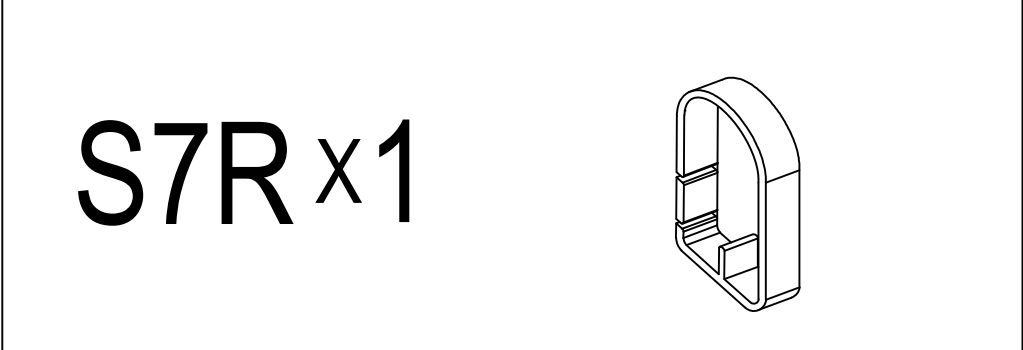
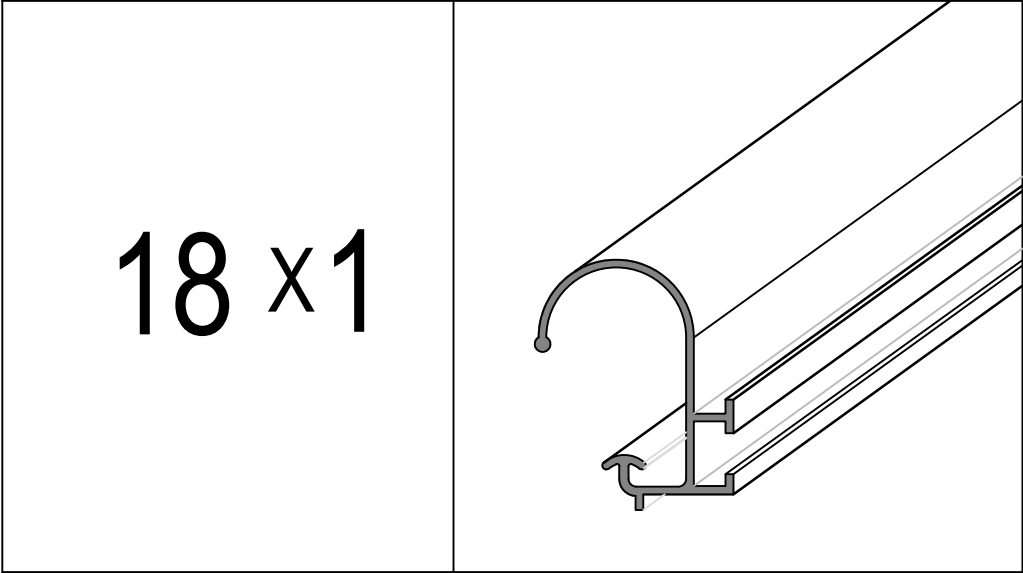
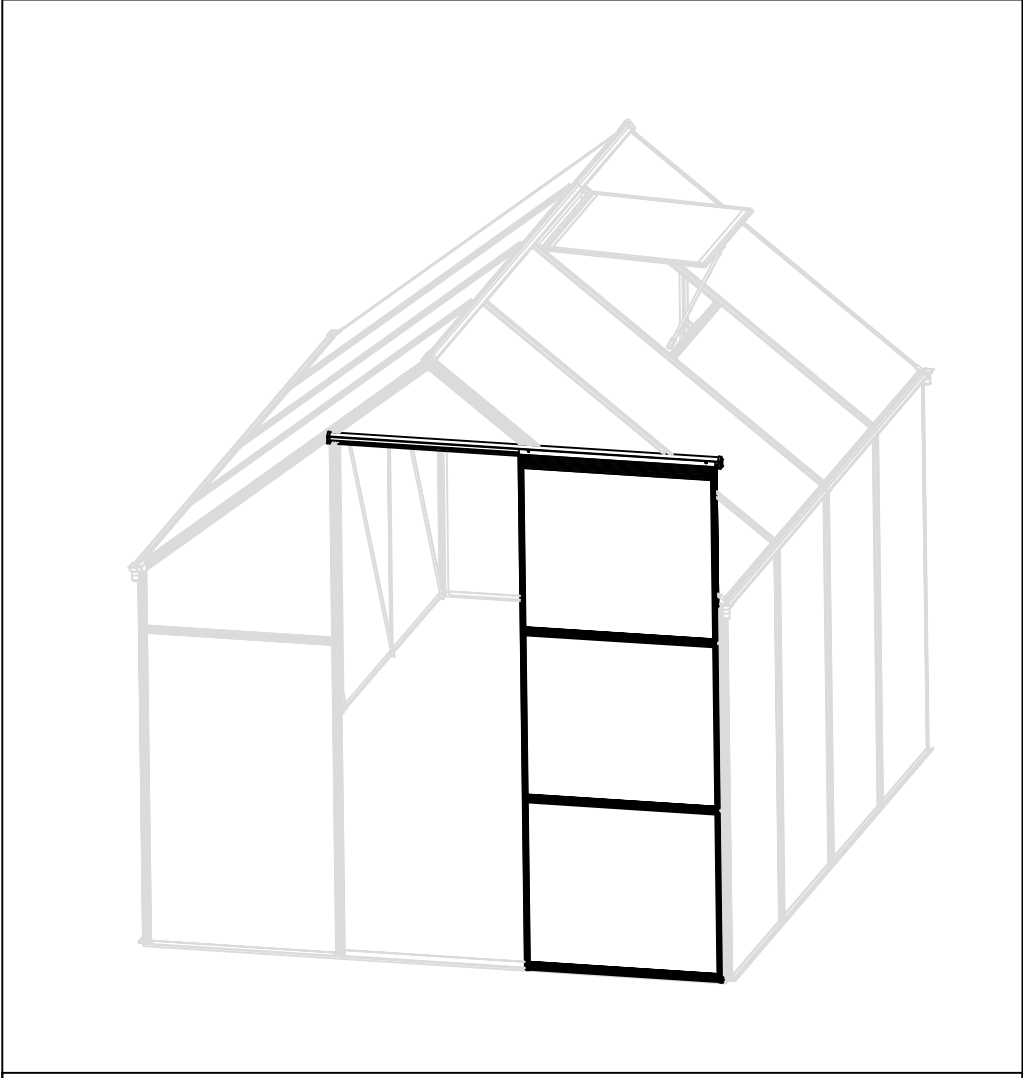


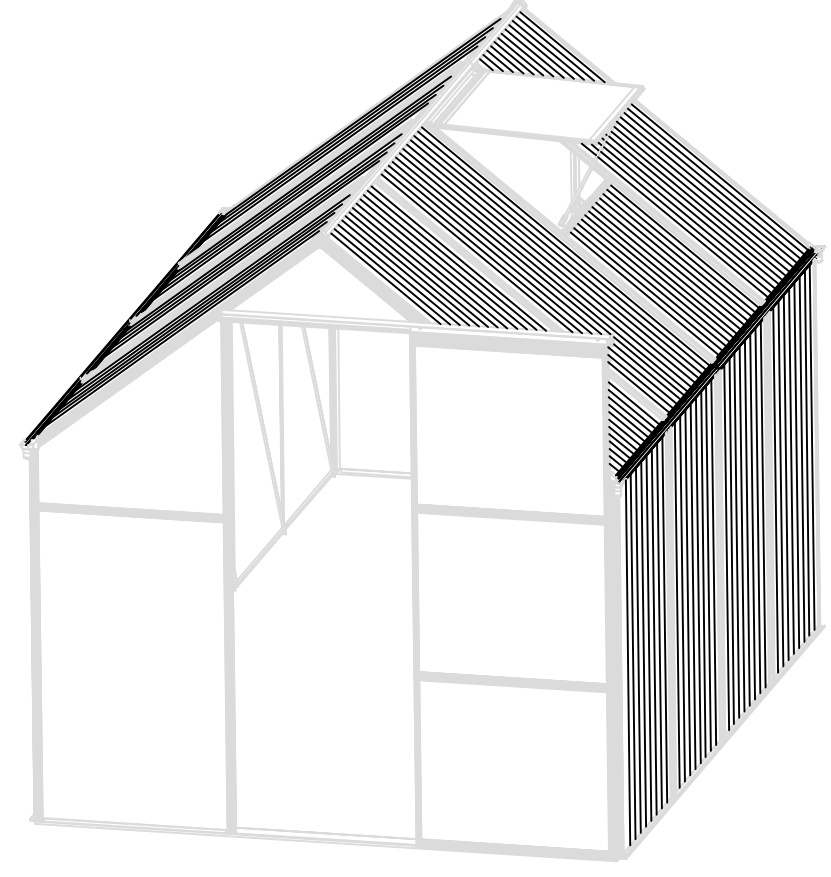




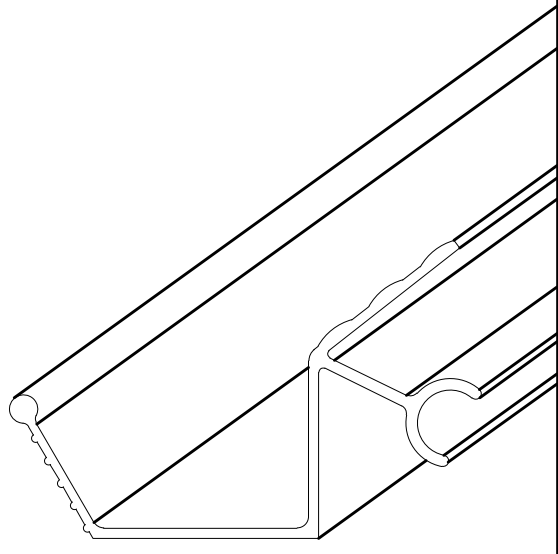
26x2	
T1x3	
T2x6	
F4x2	



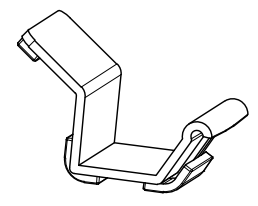




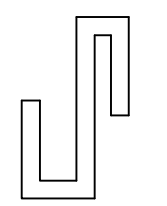
25 x 4



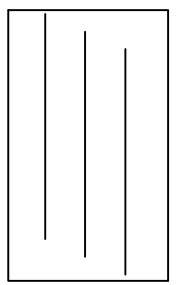
S10x2



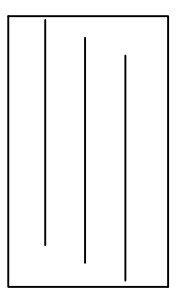
S2x8



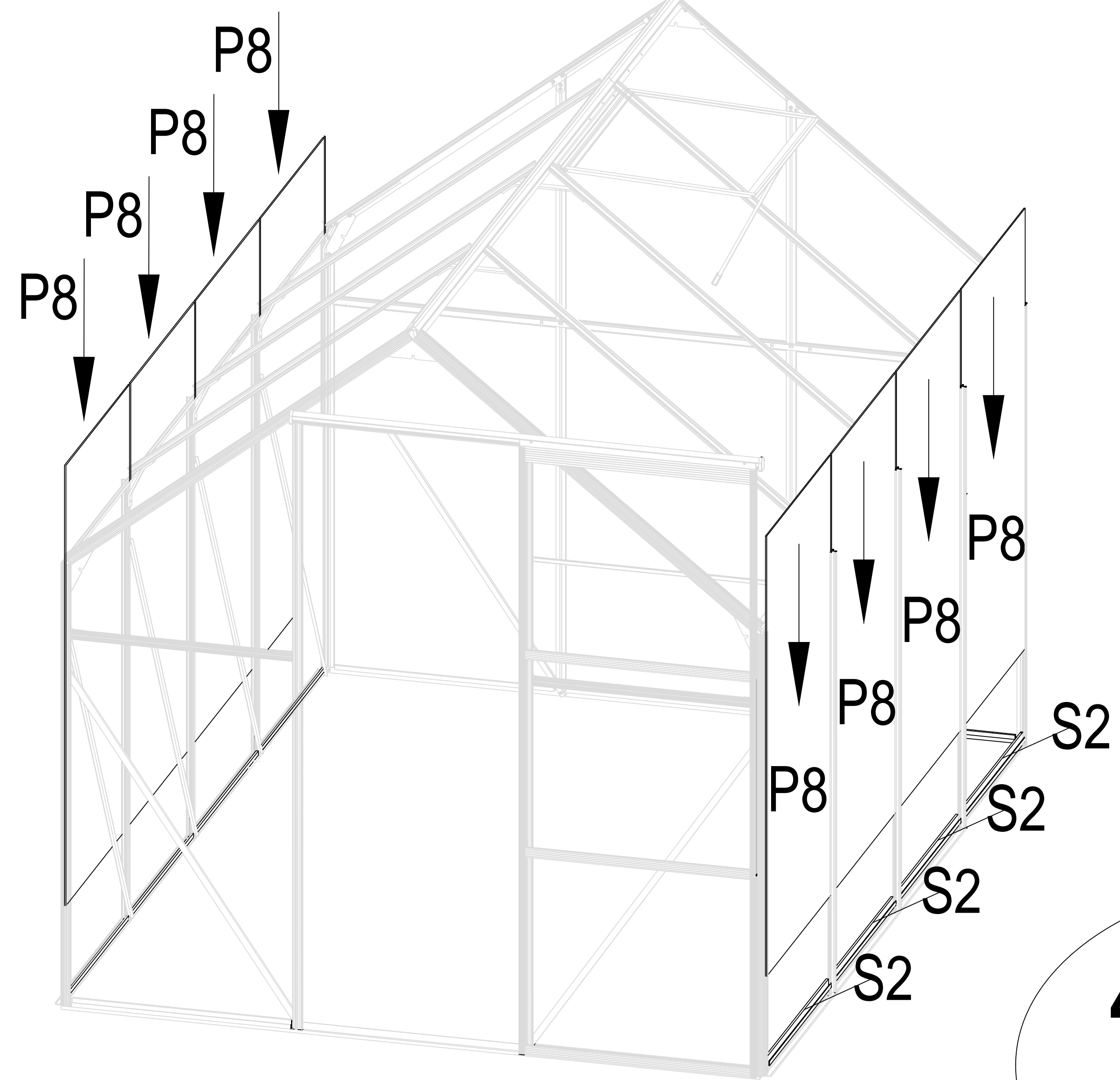
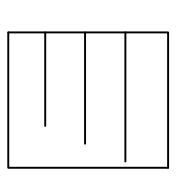
P8 x 8



P9 x 7



P10 x 1



4/4-1 S2

