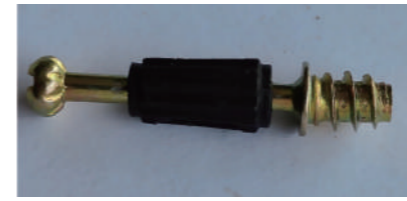


# ASSEMBLY INSTRUCTION



Ax110



Bx110



Cx14



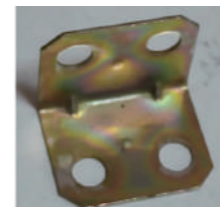
Dx10



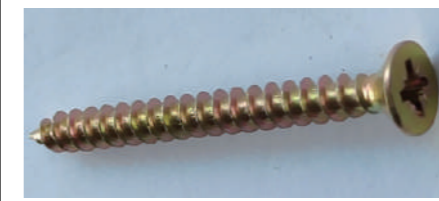
Ex16



Fx5



Hx2



Jx11



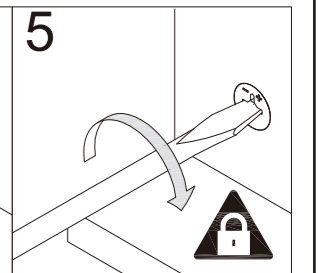
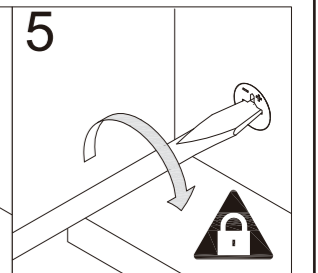
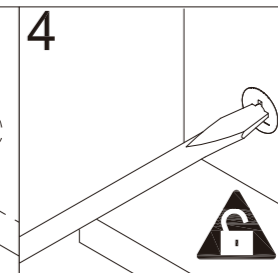
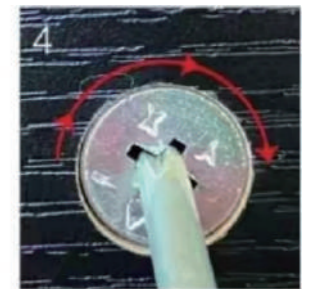
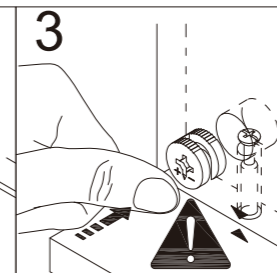
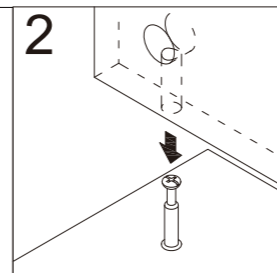
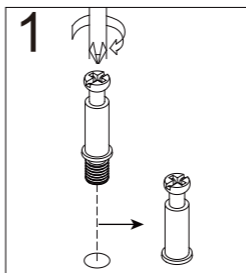
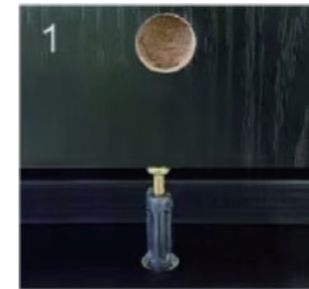
Kx11



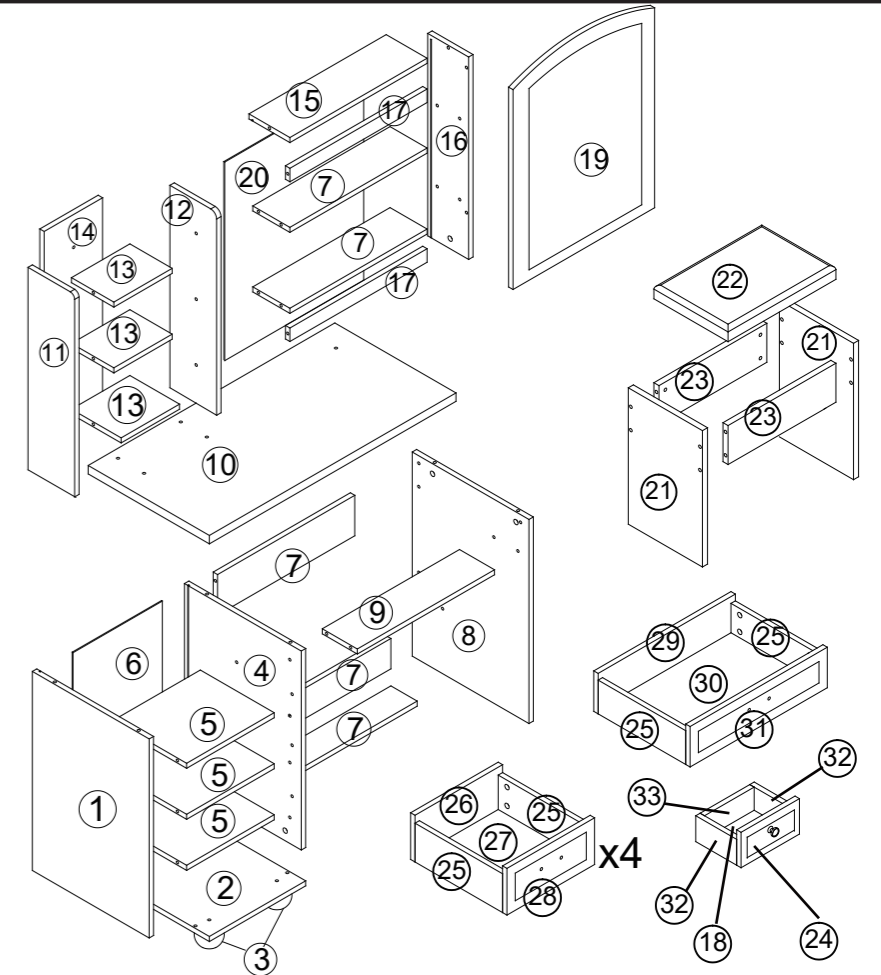
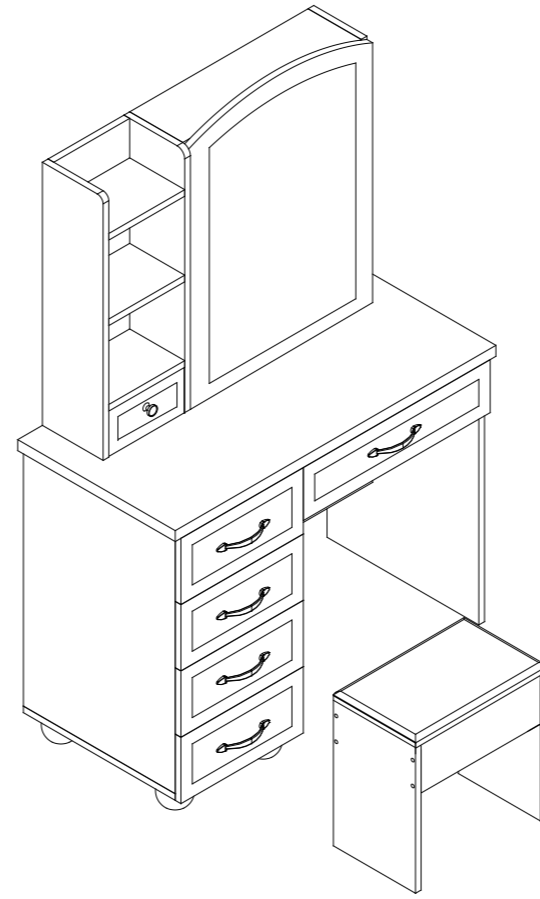
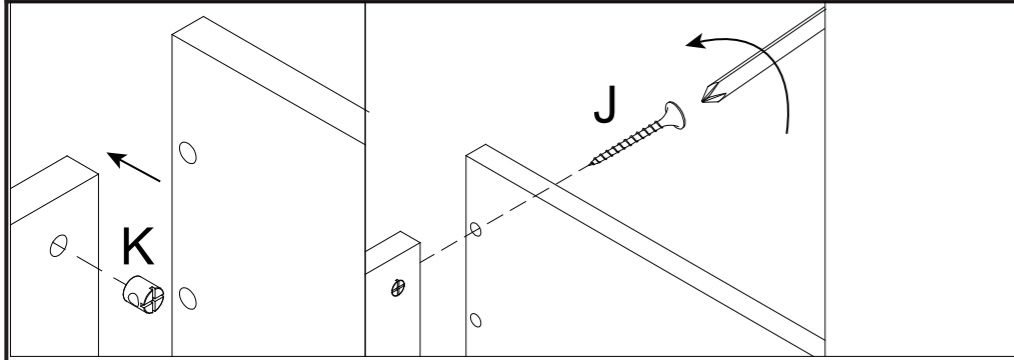
Lx2



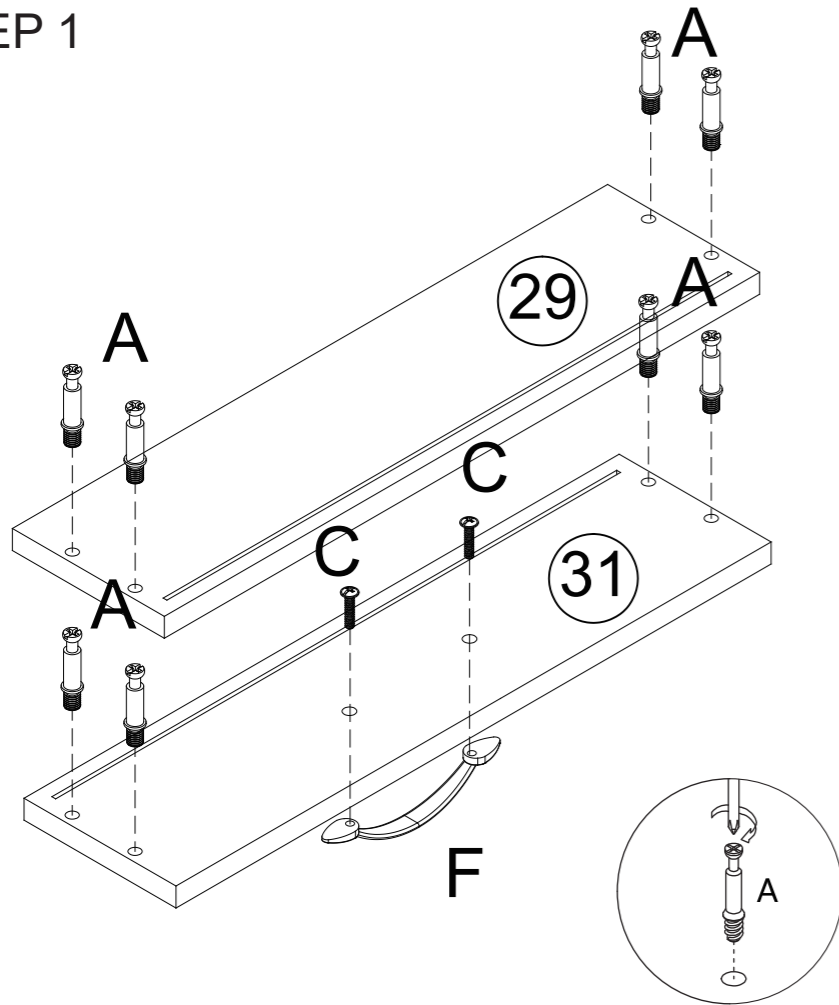
Mx1



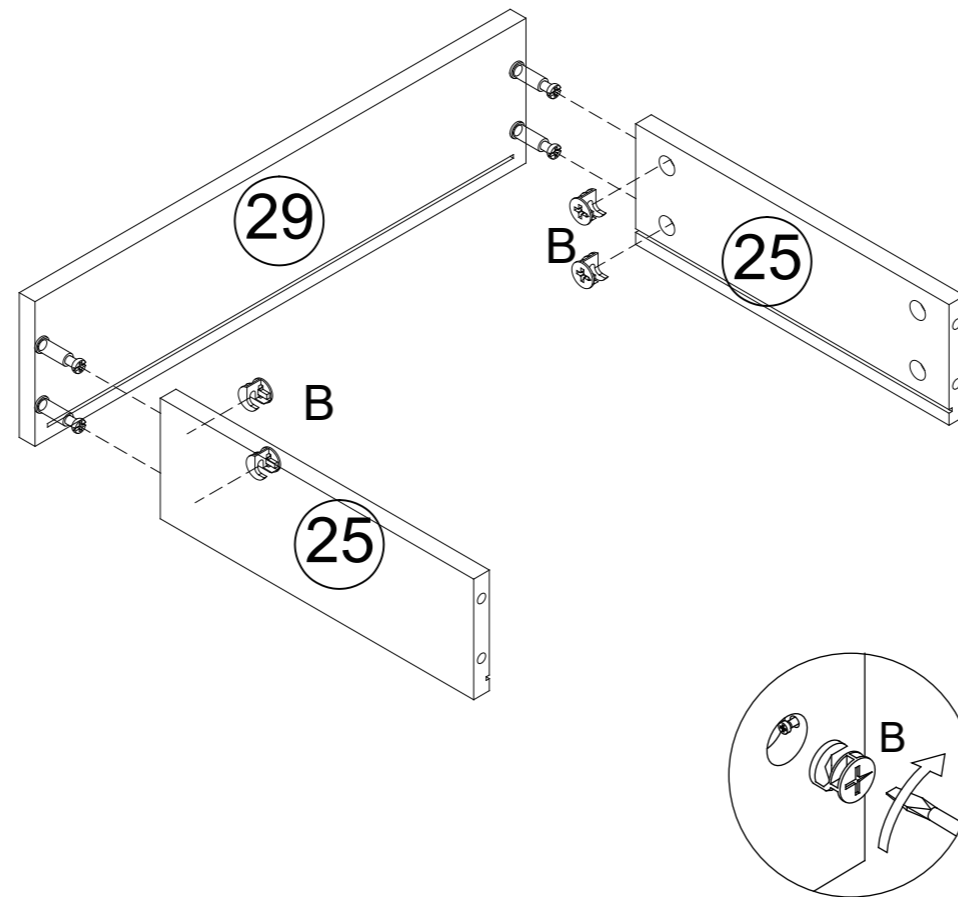
# ASSEMBLY INSTRUCTION



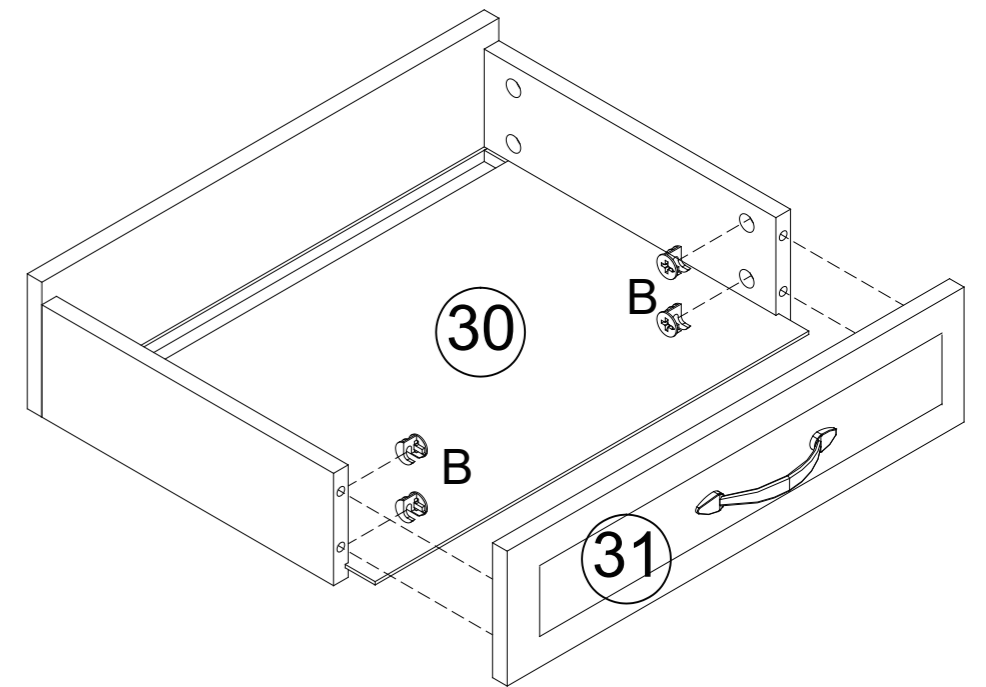
## STEP 1



## STEP 2

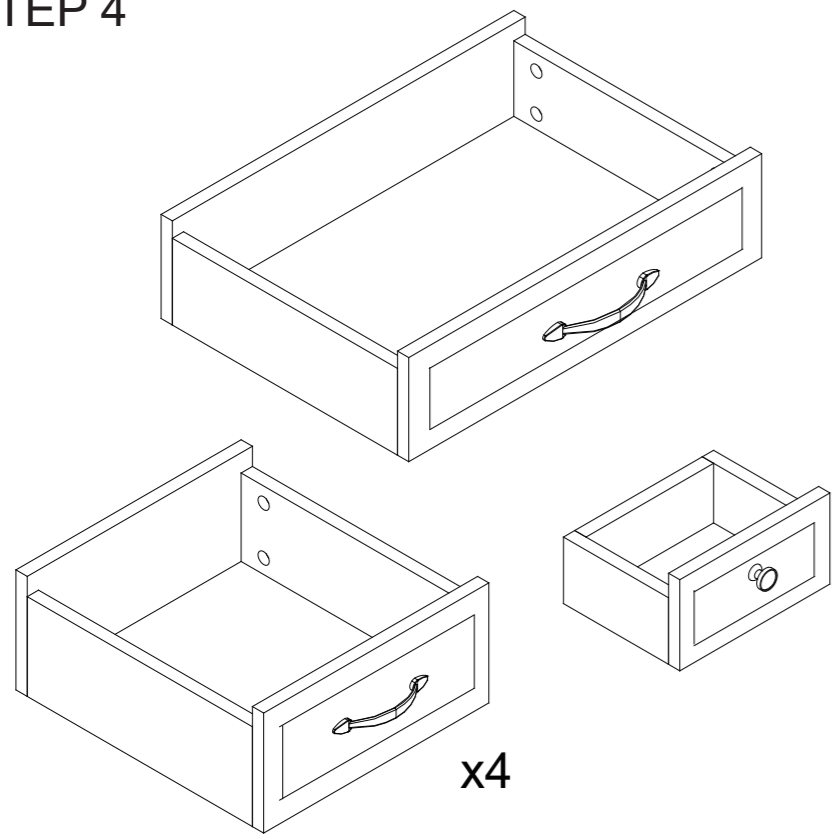


## STEP 3



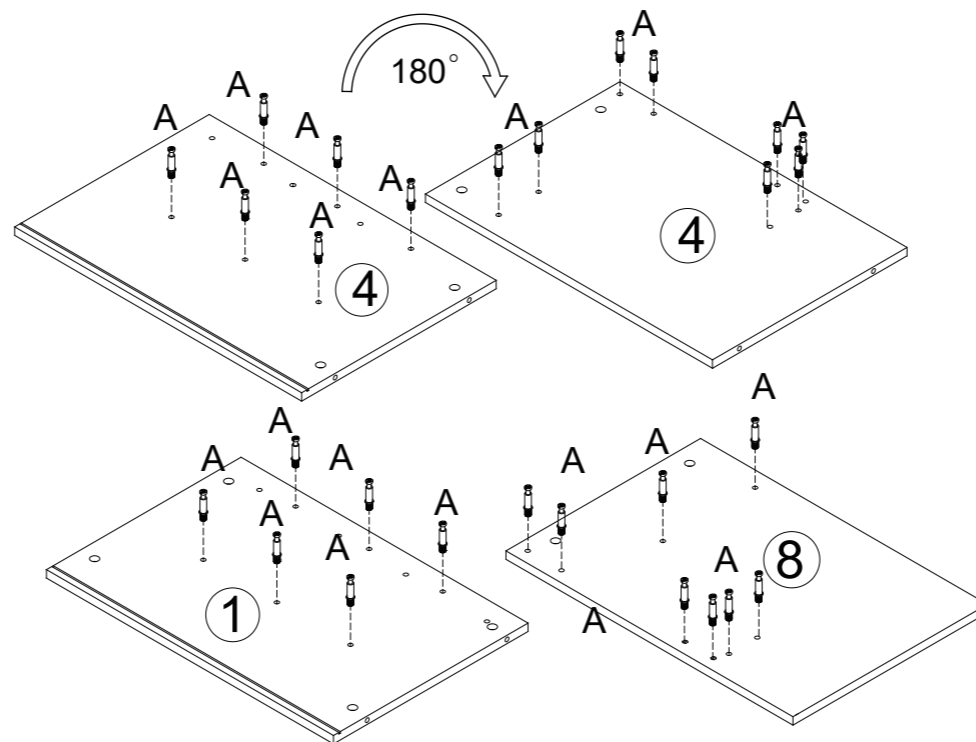
# ASSEMBLY INSTRUCTION

STEP 4

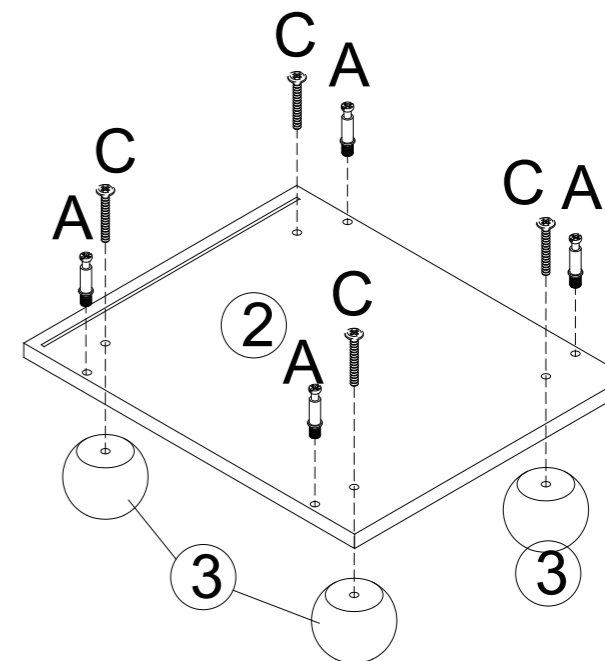


Three drawers are installed in the same way

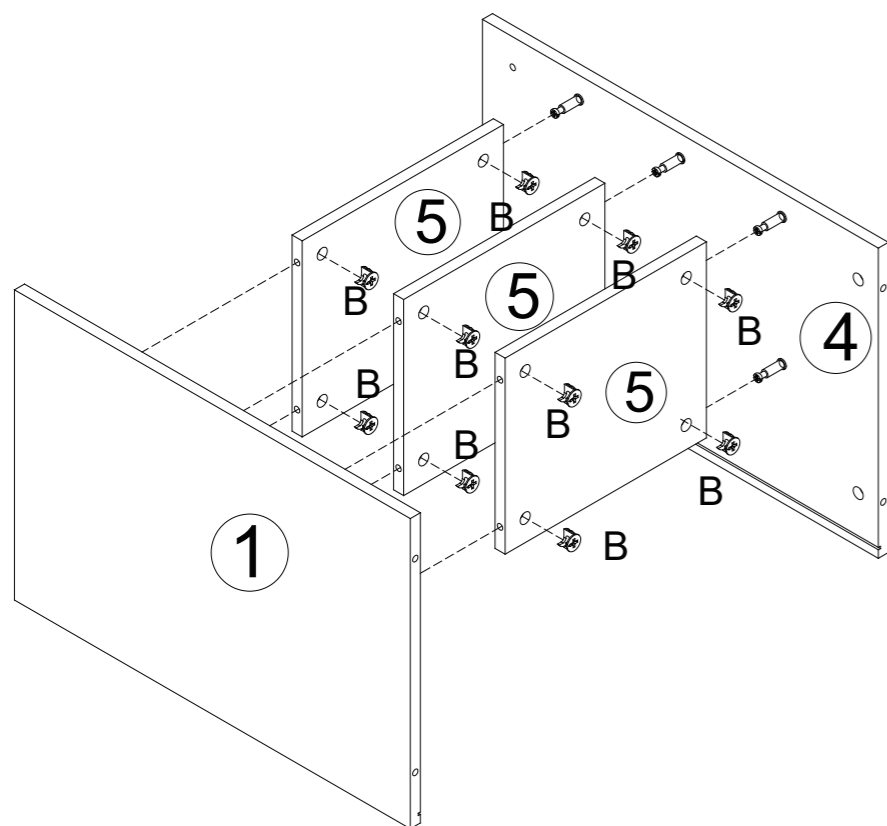
STEP 5



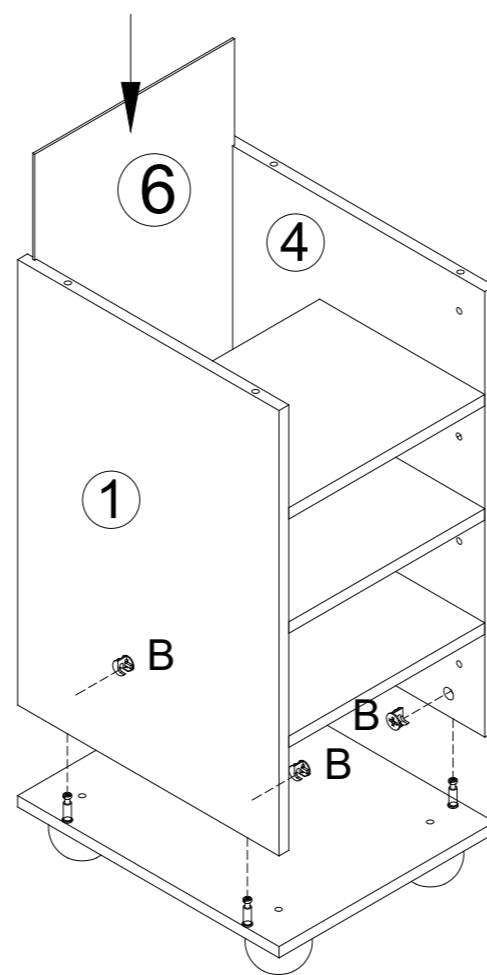
STEP 6



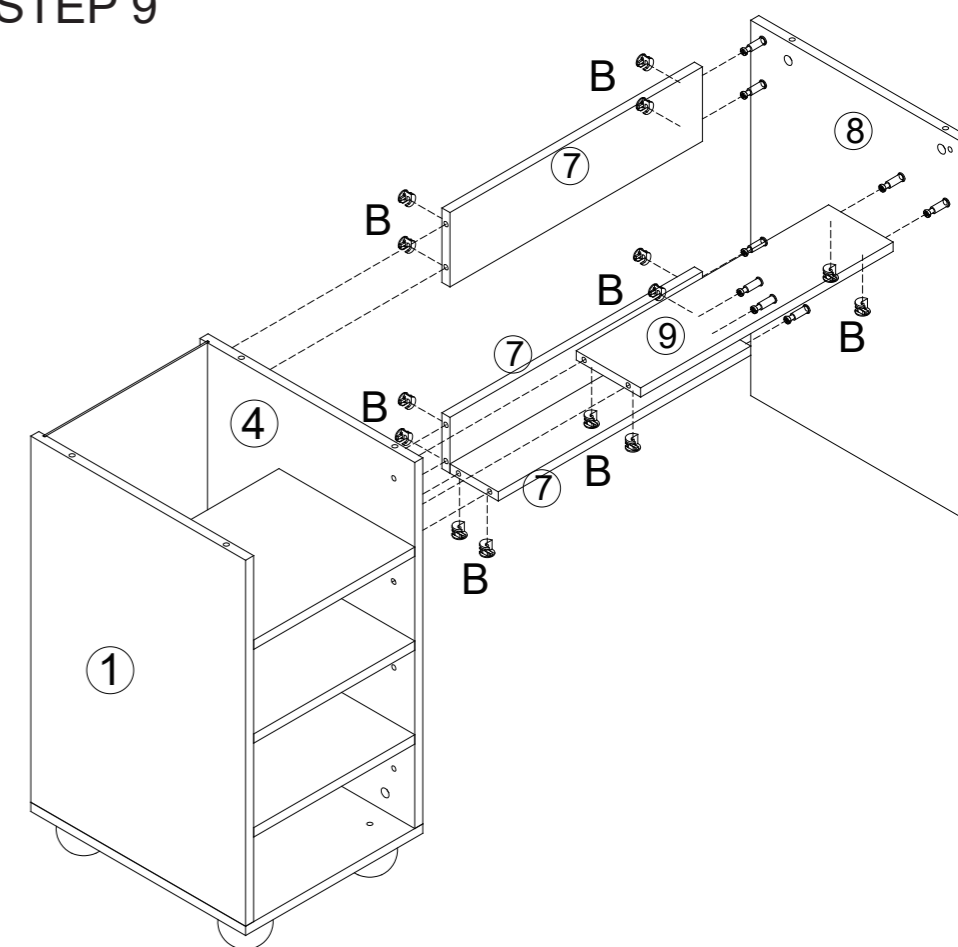
STEP 7



STEP 8

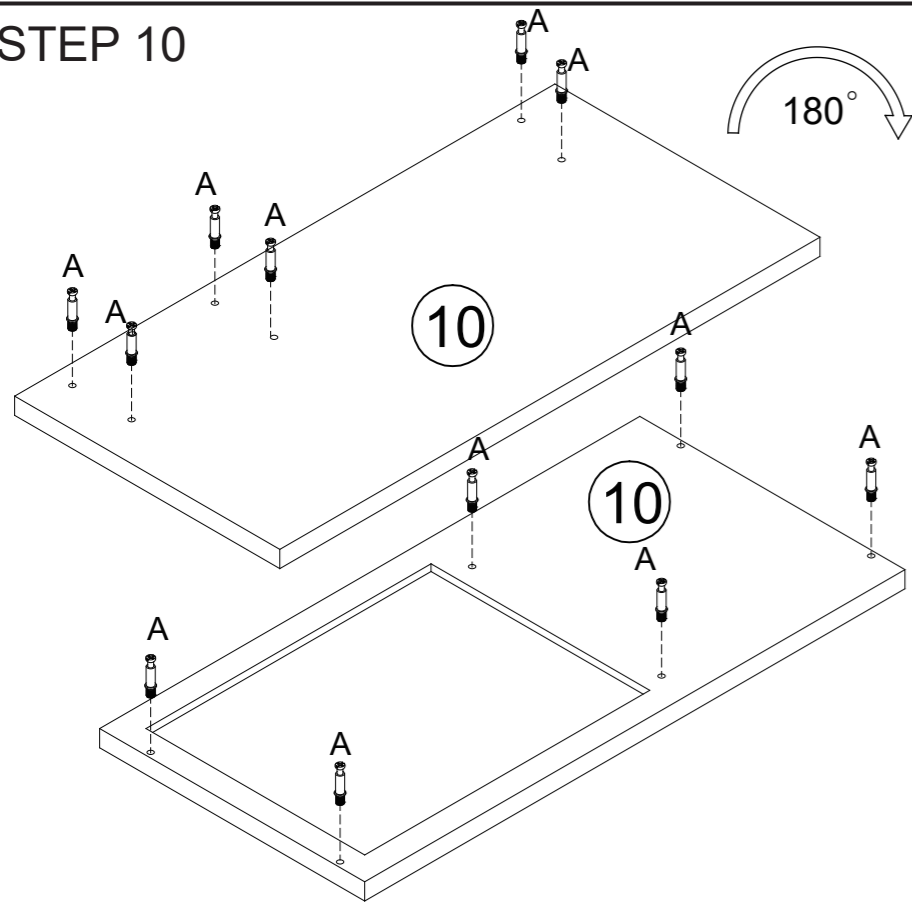


STEP 9

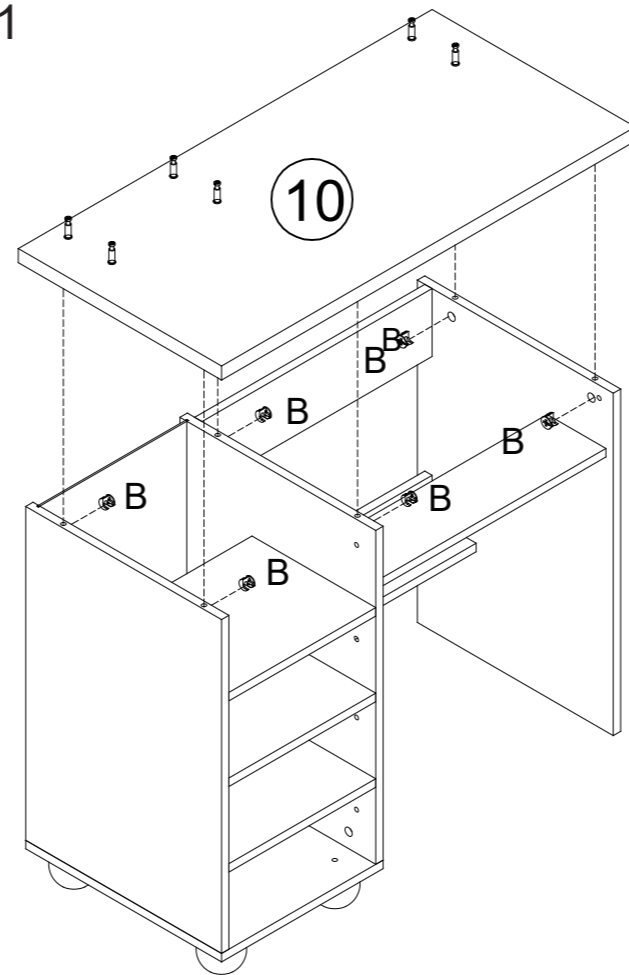


# ASSEMBLY INSTRUCTION

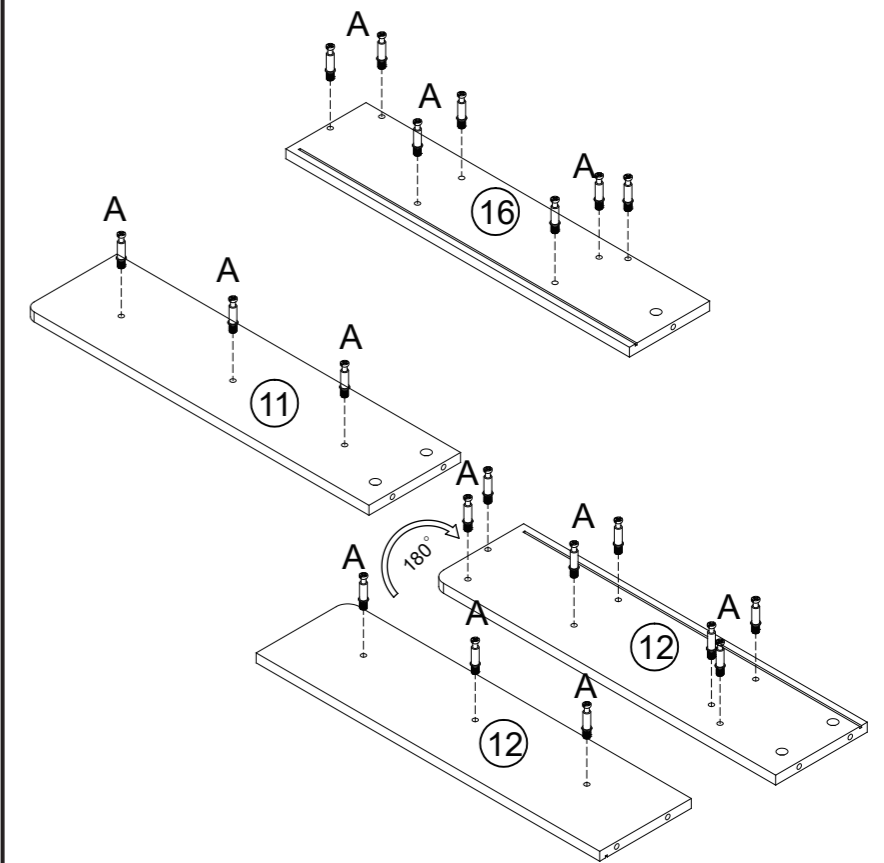
STEP 10



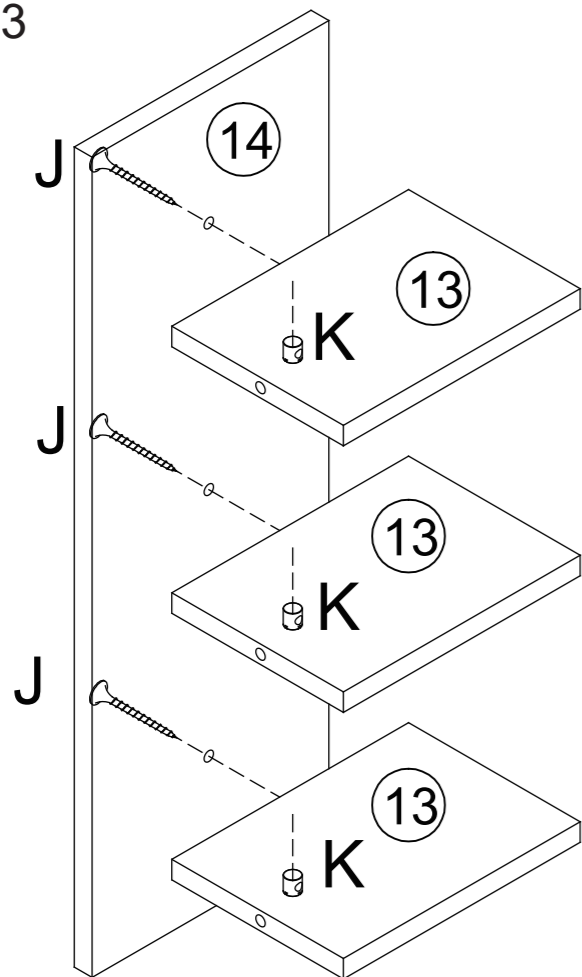
STEP 11



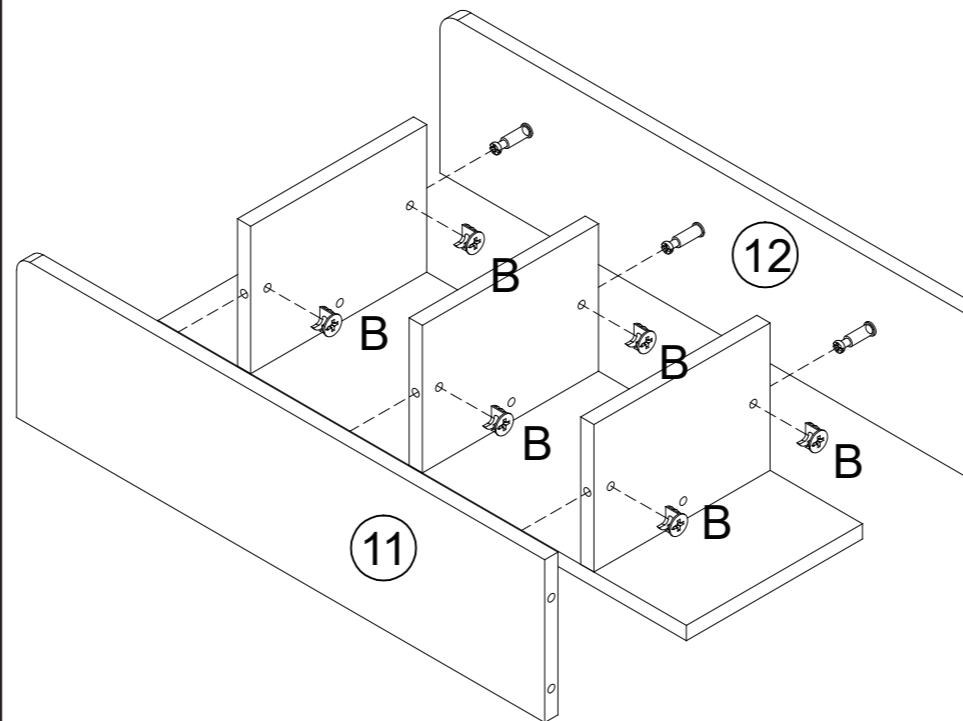
STEP 12



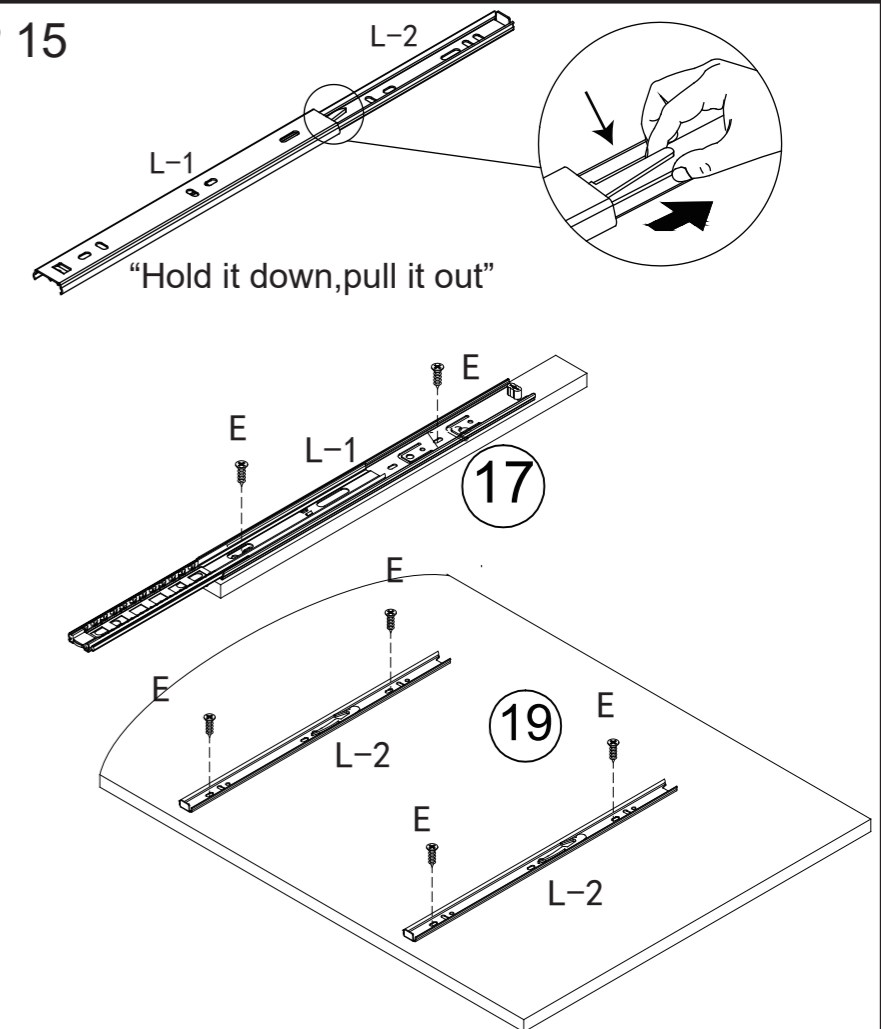
STEP 13



STEP 14

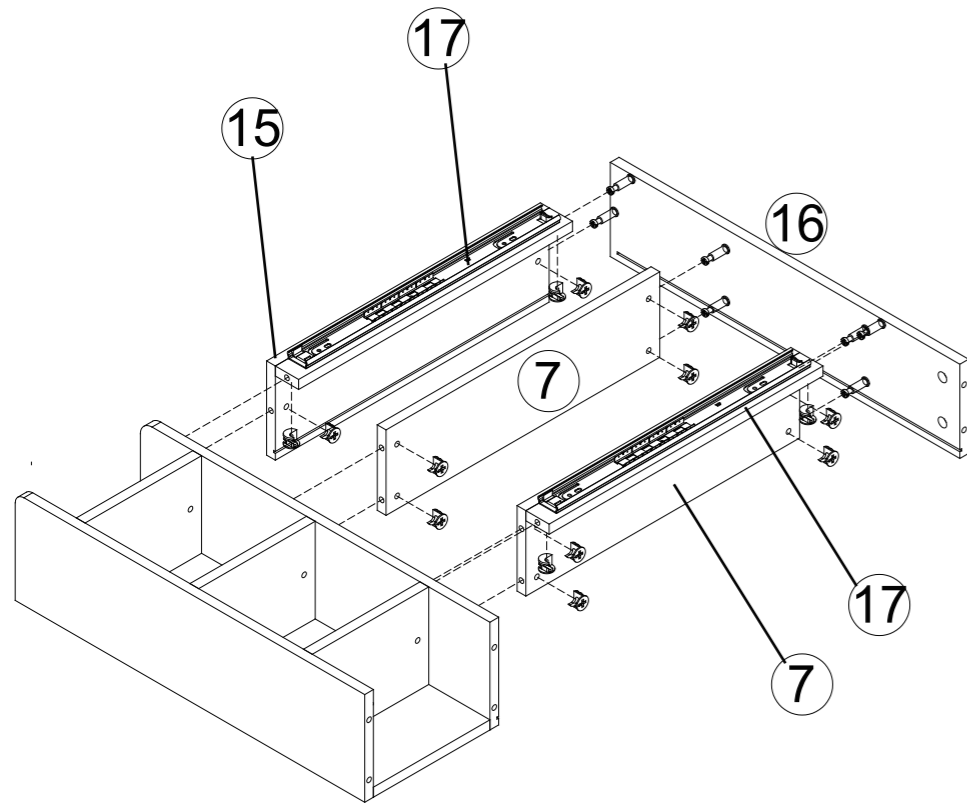


STEP 15

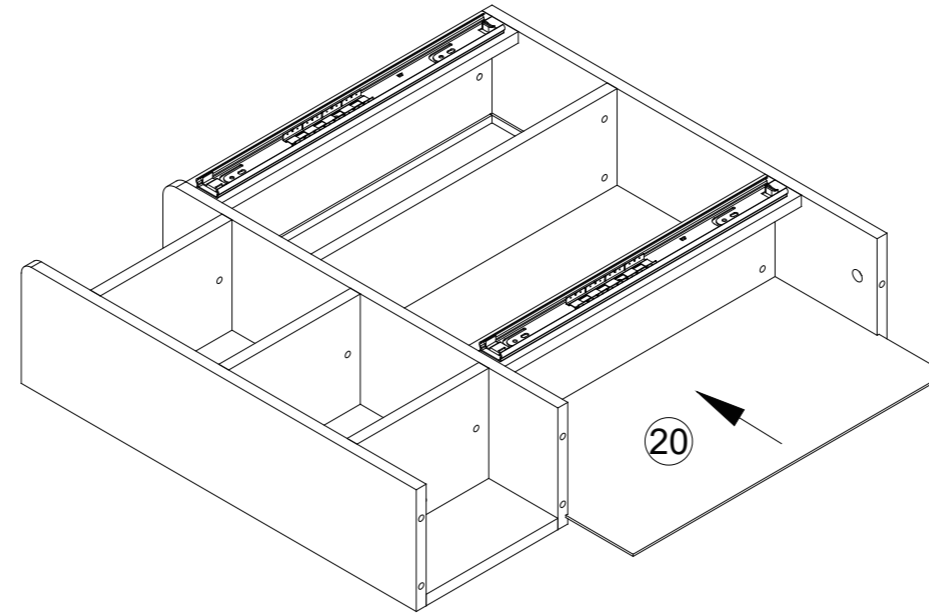


# ASSEMBLY INSTRUCTION

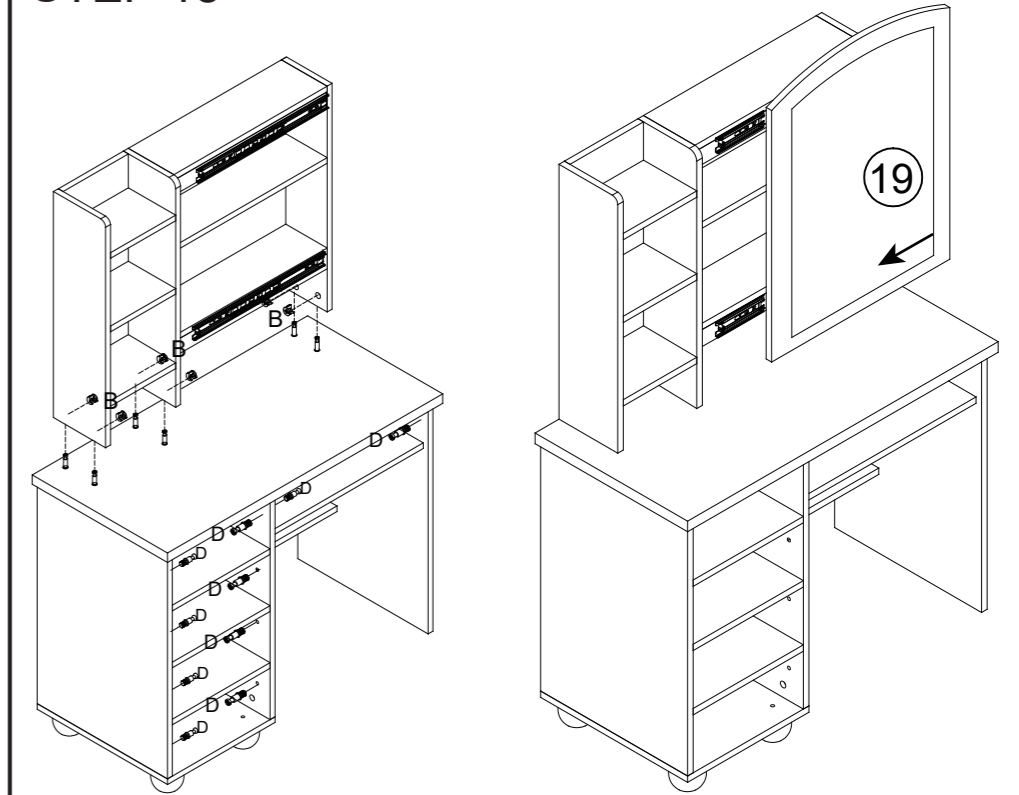
STEP 16



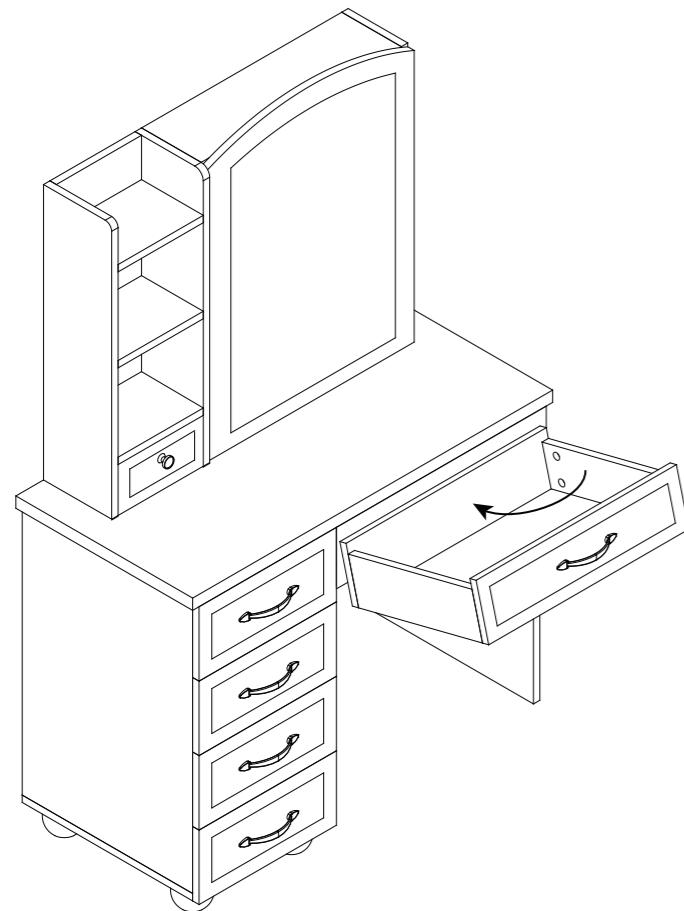
STEP 17



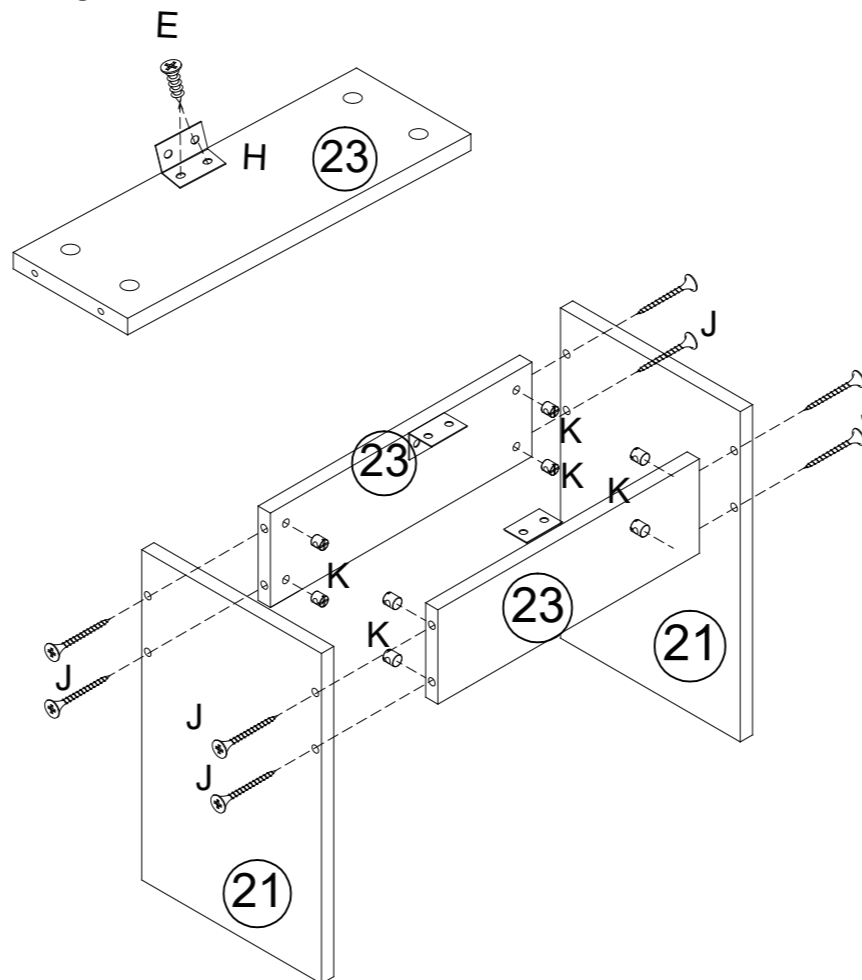
STEP 18



STEP 19



STEP 20



STEP 21

