



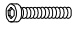



Assembly Instruction

COUNTER HEIGHT TABLE

W50455884

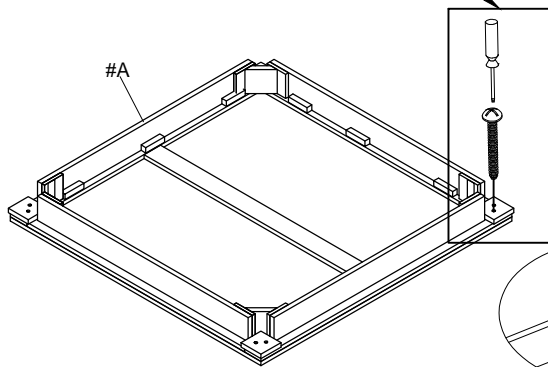
Thank you for purchasing this quality product. Be sure to check all packing materials carefully for small parts, which may have come loose inside the carton during shipment. Identify and count all items and compare with the parts list and/or hardware list shown below.

| PARTS LIST | | | |
|------------|-------------|---|------|
| No. | DESCRIPTION | SKETCH | Q'TY |
| A | TABLE TOP |  | 1 |
| B | TABLE LEGS |  | 4 |

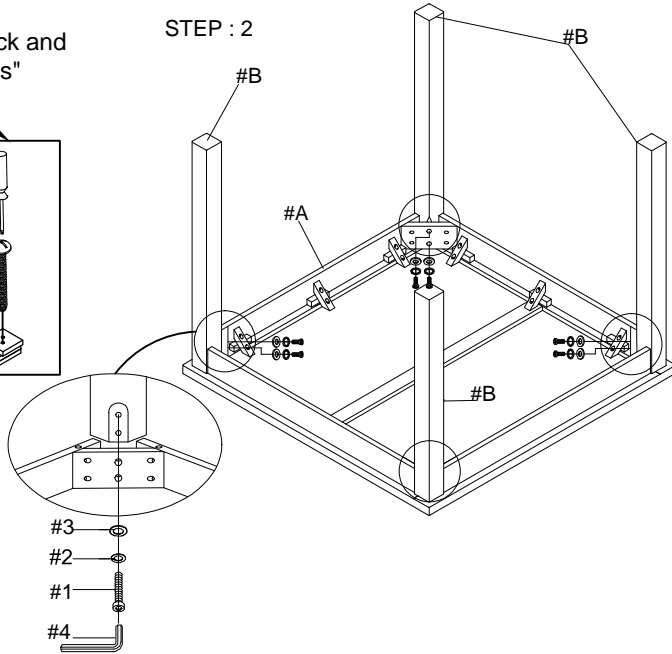
| HARDWARE LIST | | | |
|---------------|-------------------------------|---|------|
| No. | DESCRIPTION | SKETCH | Q'TY |
| 1 | ALLEN BOLT (5/16" x 2-1/4"mm) |  | 8 |
| 2 | SPRING WASHER (5/16 ") |  | 8 |
| 3 | FLAT WASHER (5/16 ") |  | 8 |
| 4 | ALLEN KEY M5 |  | 1 |

STEP : 1

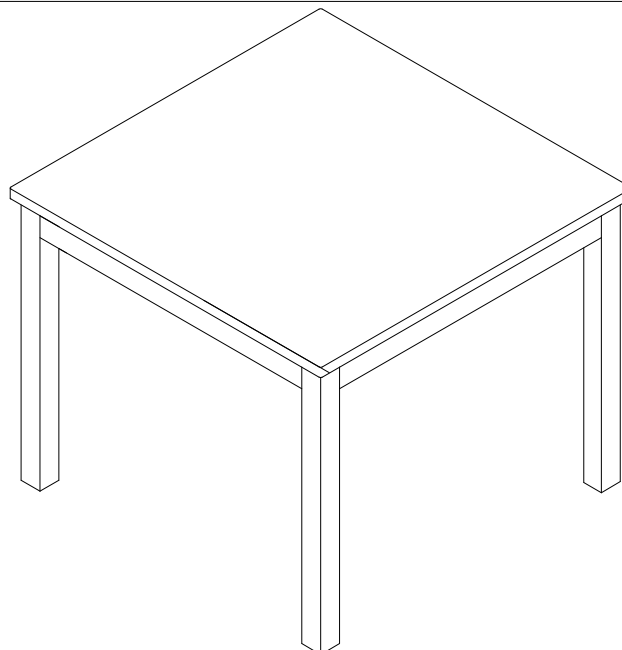
" Move out the corner wood block and discard the wood block and bolts"



STEP : 2



STEP : 3





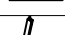
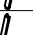
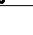


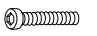
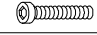
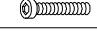




Assembly Instruction

COUNTER HEIGHT CHAIR

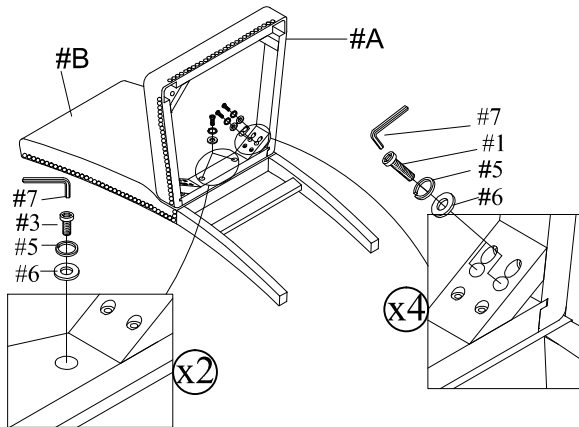
W50455885/ W50455886/ W50455887

Thank you for purchasing this quality product. Be sure to check all packing materials carefully for small parts, which may have come loose inside the carton during shipment. Identify and count all items and compare with the parts list and/or hardware list shown below.

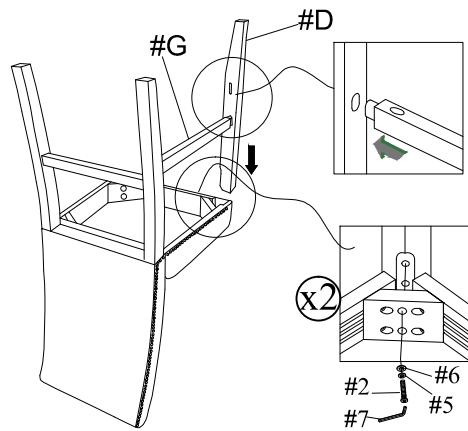
| PARTS LIST | | | |
|------------|-------------------------|---|------|
| No. | DESCRIPTION | SKETCH | Q'TY |
| A | SEAT FRAME WITH CUSHION |  | 4 |
| B | BACK FRAME WITH CUSHION |  | 4 |
| C | FRONT LEFT LEG |  | 4 |
| D | FRONT RIGHT LEG |  | 4 |
| E | FRONT STRETCHER |  | 4 |
| F | LEFT STRETCHER |  | 4 |
| G | RIGHT STRETCHER |  | 4 |

| HARDWARE LIST | | | |
|---------------|-------------------------------|---|------|
| No. | DESCRIPTION | SKETCH | Q'TY |
| 1 | ALLEN BOLT (5/16" x 3-1/4"mm) |  | 16 |
| 2 | ALLEN BOLT (5/16" x 2-1/4"mm) |  | 16 |
| 3 | ALLEN BOLT (5/16" x 1-1/2"mm) |  | 8 |
| 4 | SCREW (35mm) |  | 24 |
| 5 | SPRING WASHER (5/16 ") |  | 40 |
| 6 | FLAT WASHER (5/16 ") |  | 40 |
| 7 | ALLEN KEY M5 |  | 4 |

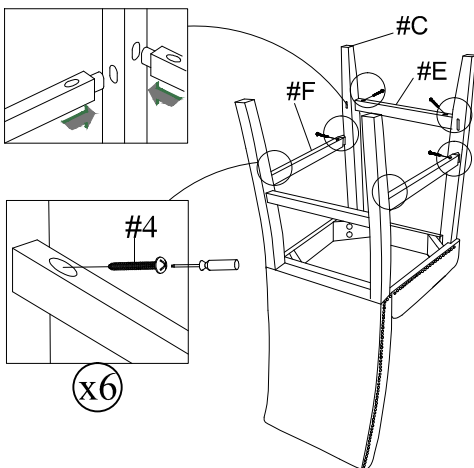
STEP : 1



STEP : 2



STEP : 3



STEP : 4

