

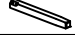


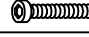
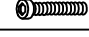
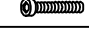



# Assembly Instruction

## DINING CHAIR

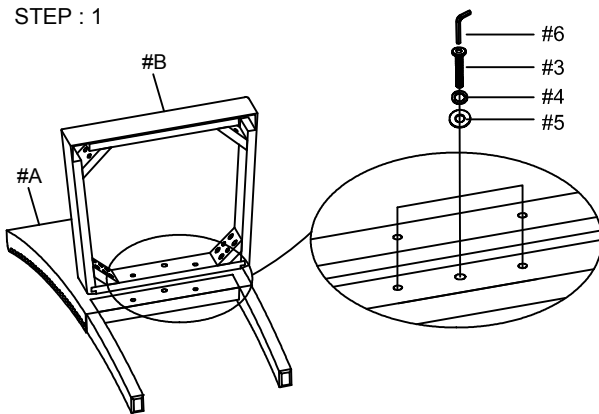
W50432886/ W50432887  
GREY/BLUE

Thank you for purchasing this quality product. Be sure to check all packing materials carefully for small parts, which may have come loose inside the carton during shipment. Identify and count all items and compare with the parts list and/or hardware list shown below.

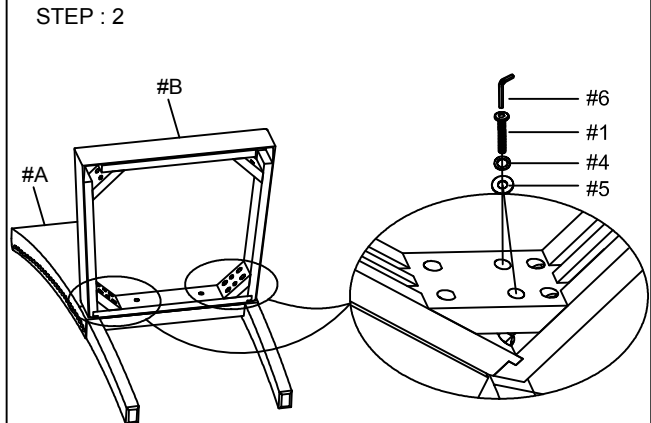
| PARTS LIST |                         |   |      |
|------------|-------------------------|---|------|
| No.        | DESCRIPTION             | SKETCH  | Q'TY |
| A          | BACK FRAME WITH CUSHION |  | 2    |
| B          | SEAT FRAME WITH CUSHION |  | 2    |
| C          | FRONT LEFT LEG          |  | 4    |

| HARDWARE LIST |                              |   |      |
|---------------|------------------------------|---|------|
| No.           | DESCRIPTION                  | SKETCH  | Q'TY |
| 1             | ALLEN BOLT (1/4" x 3-1/4"mm) |  | 8    |
| 2             | ALLEN BOLT (1/4" x 2-1/4"mm) |  | 8    |
| 3             | ALLEN BOLT (1/4" x 1-1/2"mm) |  | 6    |
| 4             | SPRING WASHER (1/4 ")        |  | 22   |
| 5             | FLAT WASHER (1/4 ")          |  | 22   |
| 6             | ALLEN KEY M4                 |  | 2    |

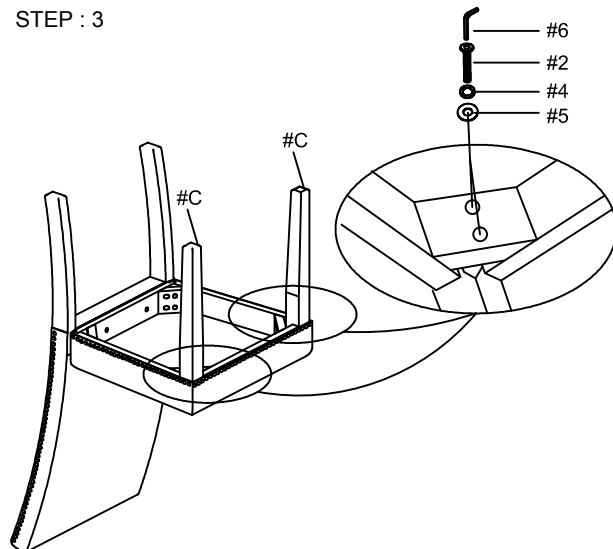
STEP : 1



STEP : 2



STEP : 3



STEP : 4

