




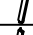



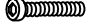
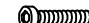
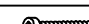




Assembly Instruction

COUNTER TABLE & 4PCS COUNTER CHAIR

W50432859/ W50432861
BLUE/BLACK

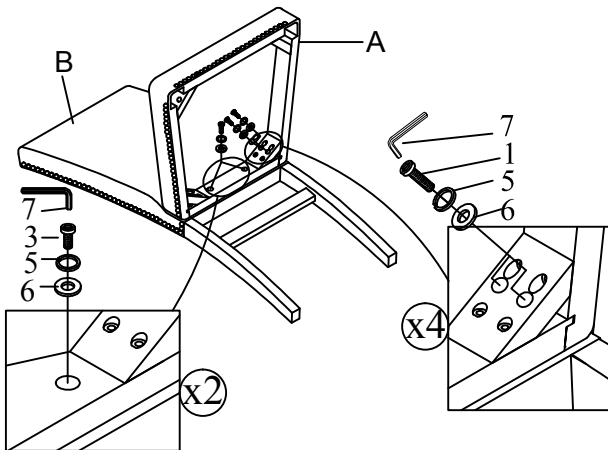
Thank you for purchasing this quality product. Be sure to check all packing materials carefully for small parts, which may have come loose inside the carton during shipment. Identify and count all items and compare with the parts list and/or hardware list shown below.

PARTS LIST			
No.	DESCRIPTION	SKETCH	Q'TY
A	SEAT FRAME WITH CUSHION		4
B	BACK FRAME WITH CUSHION		4
C	FRONT LEFT LEG		4
D	FRONT RIGHT LEG		4
E	FRONT STRETCHER		4
F	LEFT STRETCHER		4
G	RIGHT STRETCHER		4

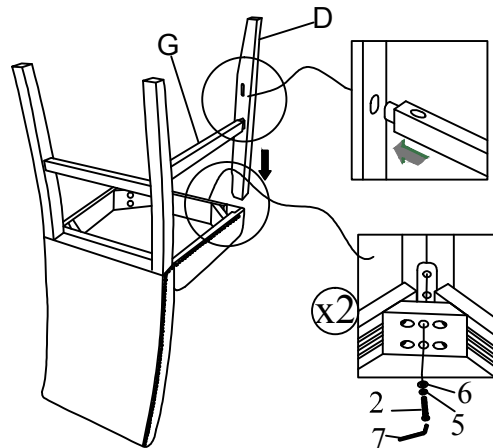
HARDWARE LIST			
No.	DESCRIPTION	SKETCH	Q'TY
1	ALLEN BOLT (5/16" x 3-1/4"mm)		16
2	ALLEN BOLT (5/16" x 2-1/4"mm)		16
3	ALLEN BOLT (5/16" x 1-1/2"mm)		8
4	SCREW (35mm)		24
5	SPRING WASHER (5/16 ")		40
6	FLAT WASHER (5/16 ")		40
7	ALLEN KEY M5		4

DO NOT TIGHTEN LEGS UNTIL THE CHAIR IS FULLY ASSEMBLED

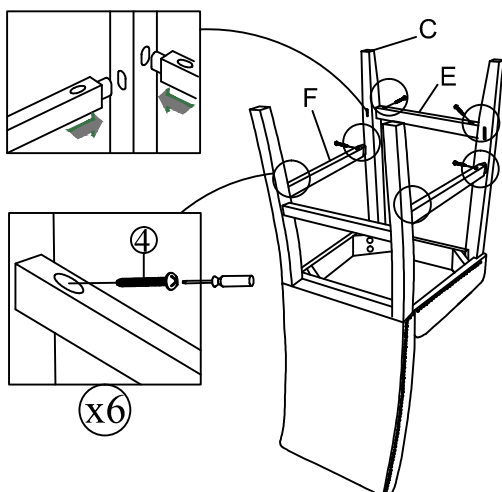
STEP : 1 Attach Seat Cushion to back Frame



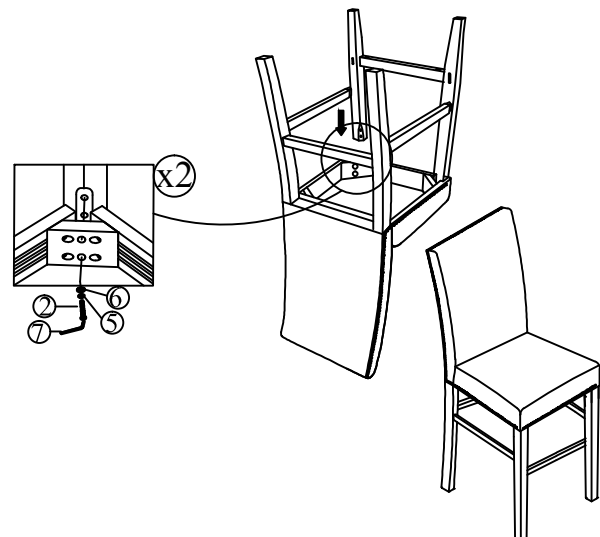
STEP : 2 Insert Front Legs into Seat Frame One Side At a Time



STEP : 3





STEP : 4

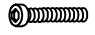





Assembly Instruction

COUNTER TABLE & 4PCS COUNTER CHAIR

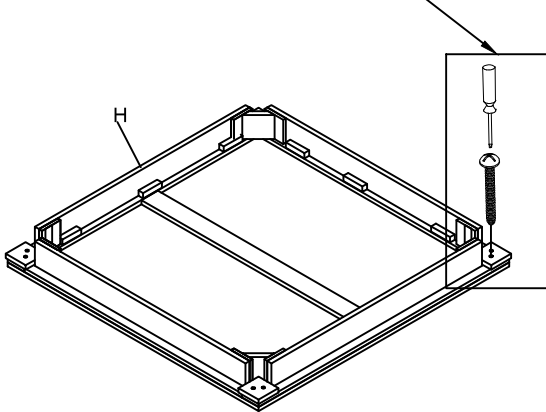
W50432859/ W50432861

PARTS LIST			
No.	DESCRIPTION	SKETCH	Q'TY
H	TABLE TOP		1
I	TABLE LEG		4

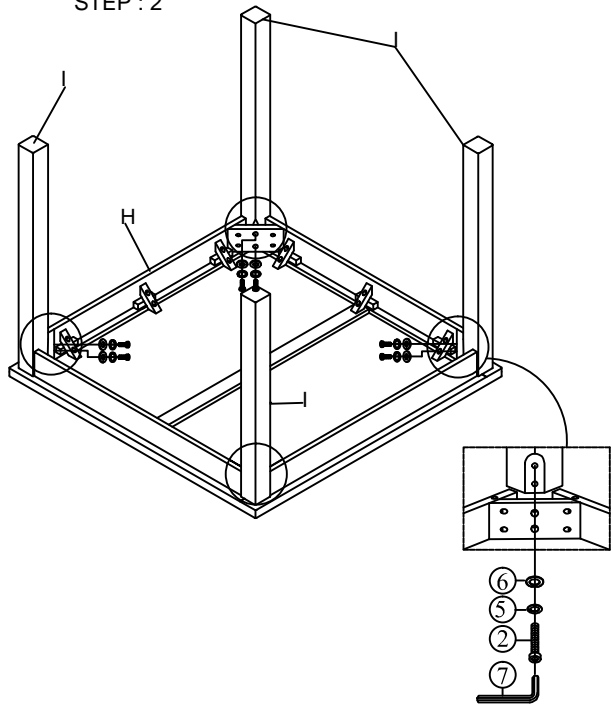
HARDWARE LIST			
No.	DESCRIPTION	SKETCH	Q'TY
2	ALLEN BOLT (5/16" x2-1/4"mm)		8
5	SPRING WASHER (5/16 ")		8
6	FLAT WASHER (5/16 ")		8
7	ALLEN KEY M5		1

STEP : 1

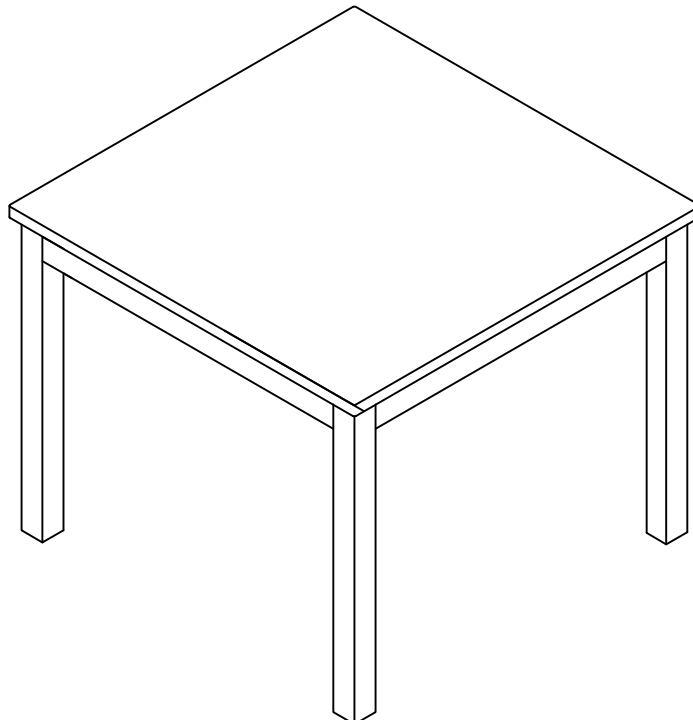
" Move out the corner wood block and discard the wood block and bolts"



STEP : 2



STEP : 3



MADE IN VIETNAM