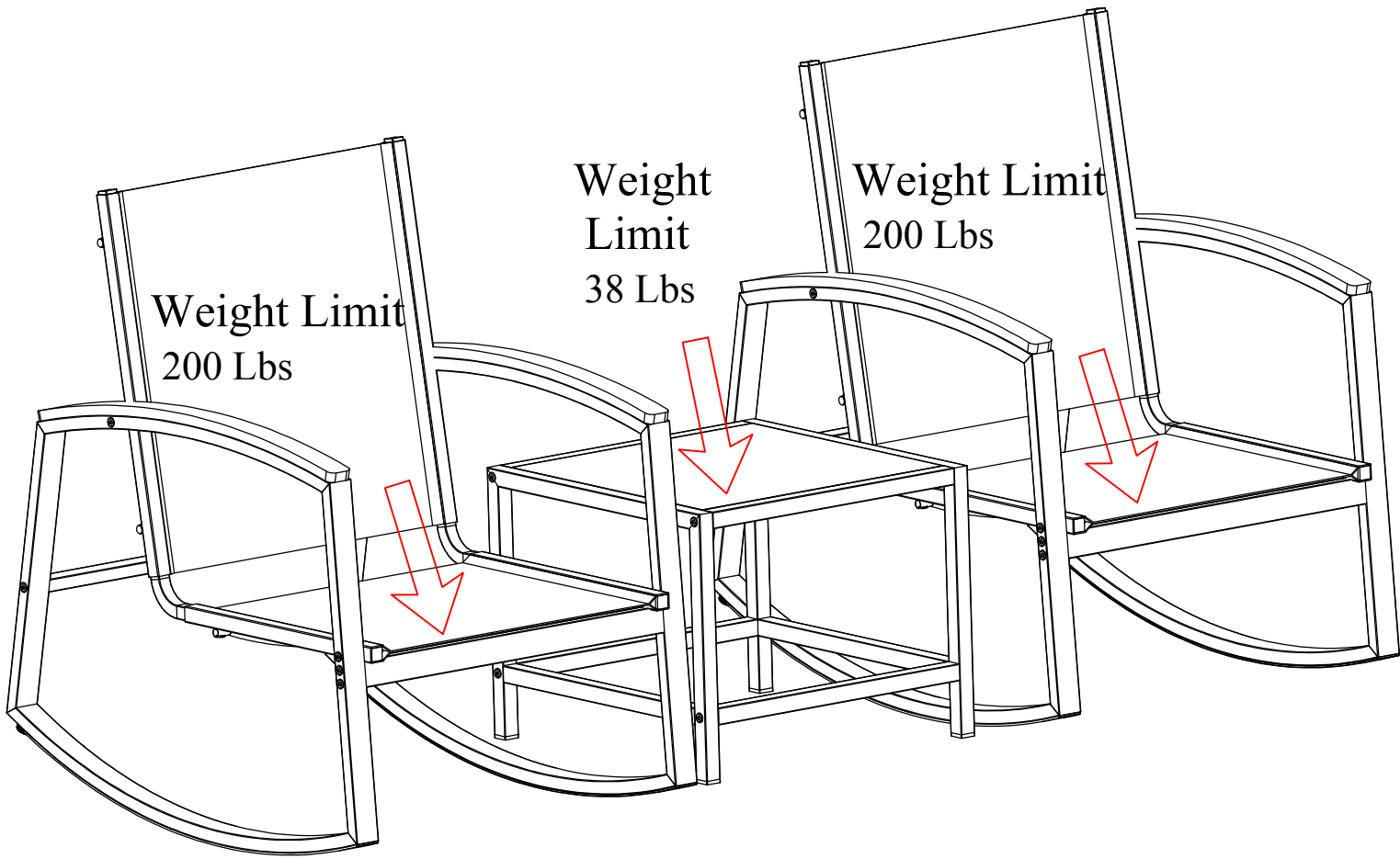


ROCKING CHAIR SET
ASSEMBLY INSTRUCTIONS
SKU: FU251-2

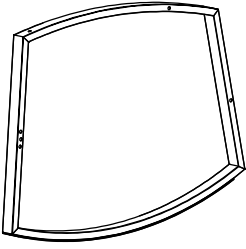
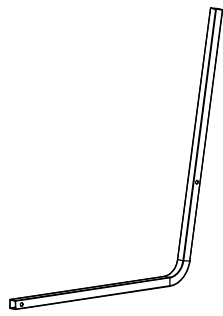
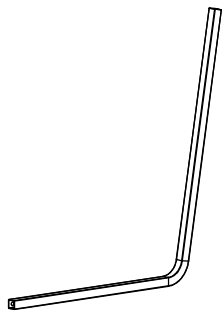



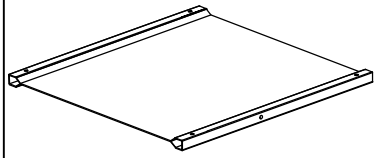
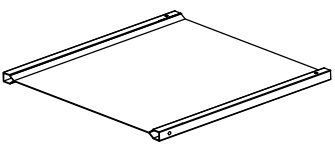

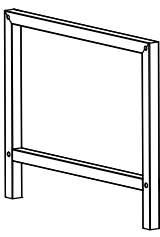
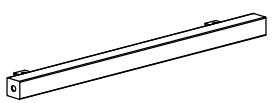
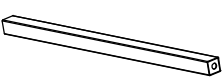
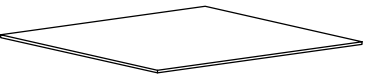



**ROCKING CHAIR SET
ASSEMBLY INSTRUCTIONS
SKU: FU251-2**

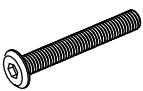
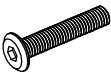
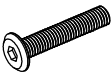
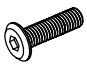

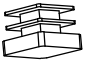


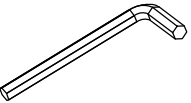
IMPORTANT SAFETY NOTICE: READ CAREFULLY BEFORE BEGINNING ASSEMBLY!

- ⚠ Hardware packs and small components should be away from the children, avoid eating and being injured
- ⚠ Please, follow with the assembly steps in order
- ⚠ Please, do not tighten any screw before each assembling unit is well placed in appropriate position
- ⚠ Please, make sure all components are fixed firmly locked without any potential safety hazard
After assembly and before using
- ⚠ Please, use this product correctly , according to its purpose to avoid danger happened
- ⚠ Such as the wall fastening devices are essential parts of this product. Please fix firmly locked without any potential safety hazard before using
- ⚠ Please check all contents of this product inside of carton (s) carefully, small parts may have been lost during shipment, if any! Contact further with the retailer from which you purchased this product to obtain, do not use any substitute part
- ⚠ This assembly instructions booklet contains important safety information, please read and keep for further reference

**ROCKING CHAIR SET
ASSEMBLY INSTRUCTIONS
SKU: FU251-2
PART LIST**

 ① 4PCS	 ② 2PCS	 ③ 2PCS	
 ④ 6PCS	 ⑤ 2PCS	 ⑥ 2PCS	
 ⑦ 2PCS	 ⑧ 2PCS	 ⑨ 4PCS	 ⑩ 2PCS
 ⑪ 2PCS	 ⑫ 2PCS	 ⑬ 1PC	 ⑭ optional 8PCS

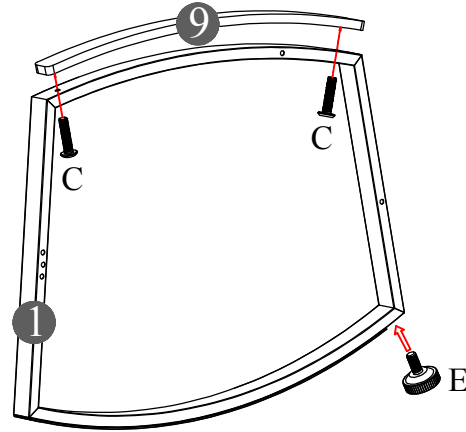
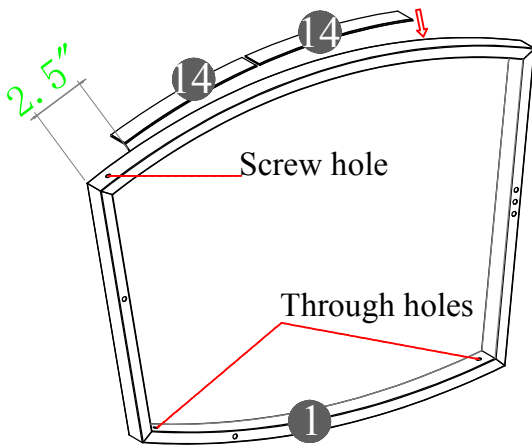
HARDWARE LIST

 A 1/4"*55 20PCS	 B 1/4"*40 8PCS	 C 1/4"*25 8PCS
 D 1/4"*20 12PCS	 E 1/4"*15 4PCS	 F 25*25 4PCS
 G 20*20 8PCS	 H ø8 4PCS	 I 4*59 1PC


**ROCKING CHAIR SET
ASSEMBLY INSTRUCTIONS
SKU: FU251-2**

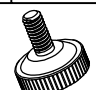
STEP 1 :


Stick eva 14 on the part 1



4 SET

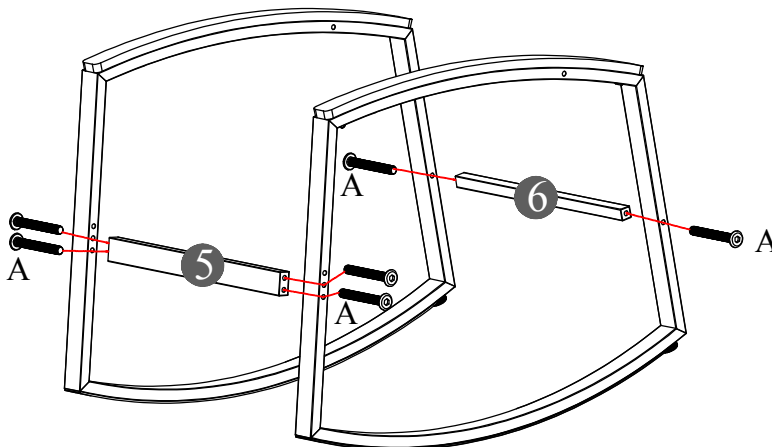
Ⓒ	8PCS
	
1/4*25	

Ⓔ	4PCS
	

Ⓘ	1PC
	
4*59	


NOTE: In this step, DO NOT tighten any bolt until you connect all part together.

STEP 2 :



2 SET

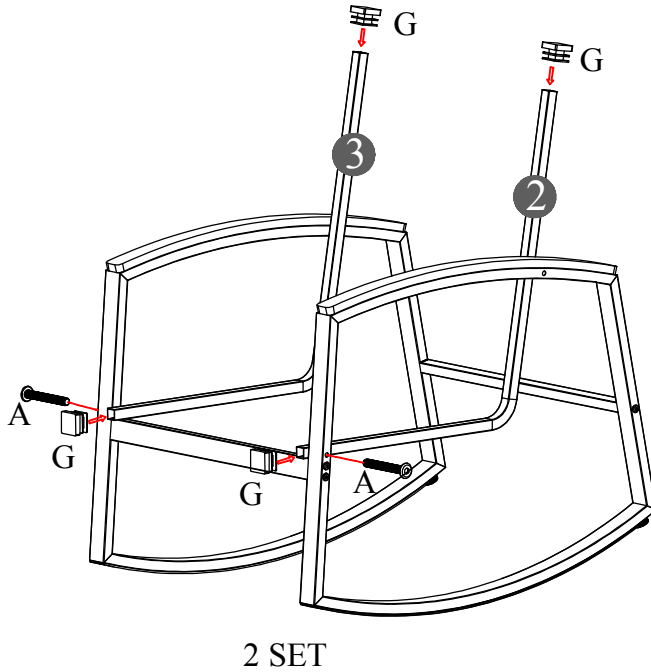
Ⓐ	12PCS
	
1/4*55	

Ⓘ	1PC
	
4*59	

NOTE: In this step, DO NOT tighten any bolt until you connect all part together.

ROCKING CHAIR SET
 ASSEMBLY INSTRUCTIONS
 SKU: FU251-2

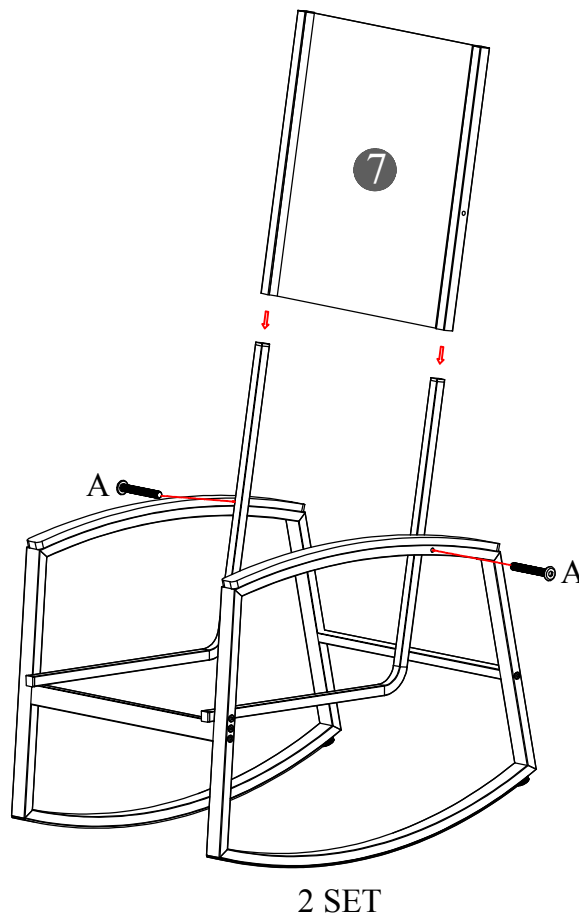
STEP 3 :



(A)	4PCS	(G)	8PCS	(I)	1PC
1/4*55		20*20		4*59	

NOTE: In this step, DO NOT tighten any bolt until you connect all part together.

STEP 4 :

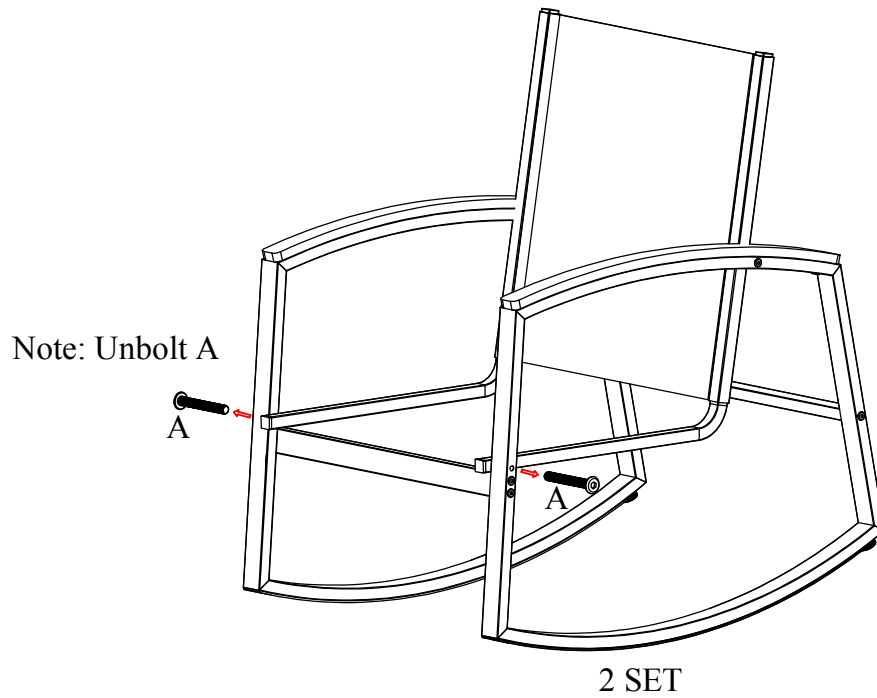


(A)	4PCS	(I)	1PC
1/4*55		4*59	

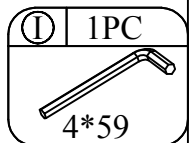
NOTE: In this step, DO NOT tighten any bolt until you connect all part together.

ROCKING CHAIR SET
ASSEMBLY INSTRUCTIONS
SKU: FU251-2

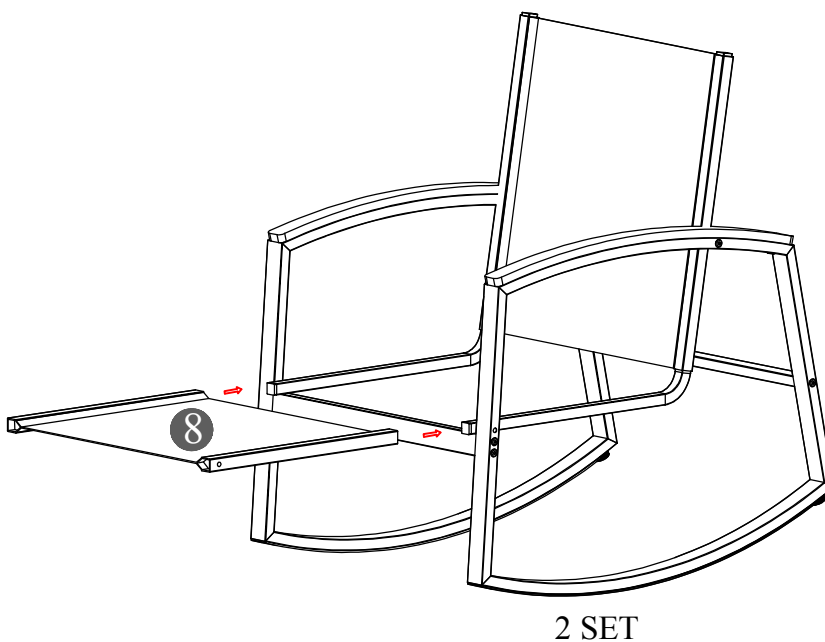
STEP 5 :



NOTE: In this step, DO NOT tighten any bolt until you connect all part together.



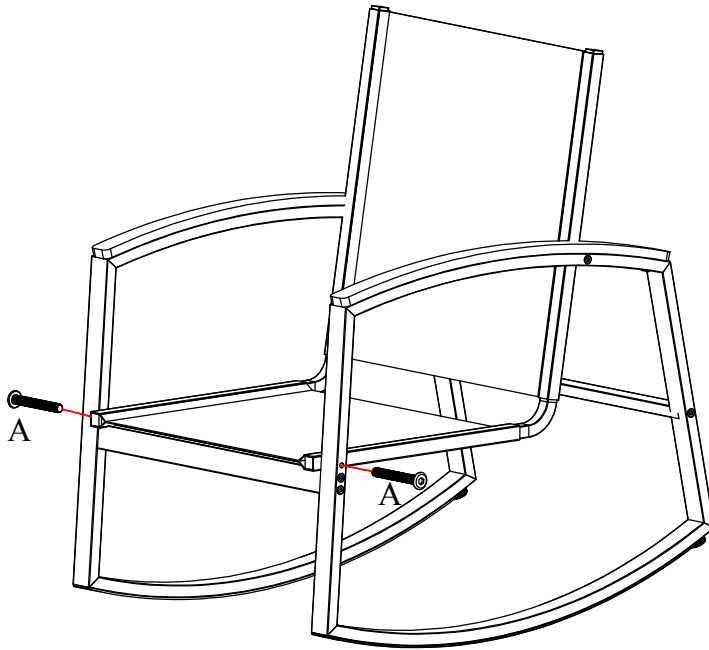
STEP 6 :





NOTE: In this step, DO NOT tighten any bolt until you connect all part together.

ROCKING CHAIR SET
ASSEMBLY INSTRUCTIONS
SKU: FU251-2

STEP 7 :

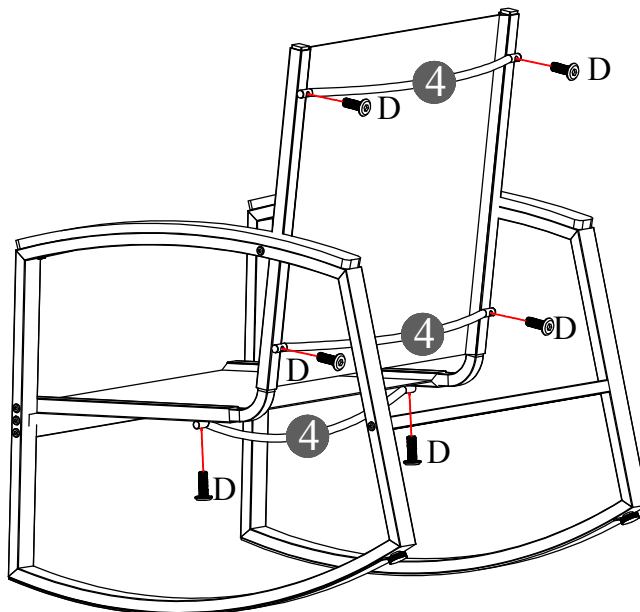


2 SET



Ⓐ	4PCS
	1/4*55
Ⓛ	1PC
	4*59

NOTE: In this step, DO NOT tighten any bolt until you connect all part together.

STEP 8 :



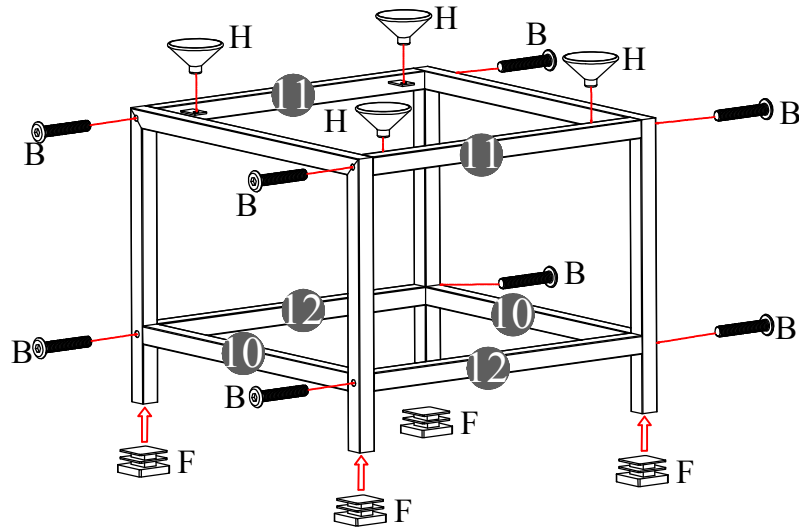
2 SET



Ⓓ	12PCS
	1/4*20
Ⓛ	1PC
	4*59



NOTE: Tighten all step before using. Thank you.

**ROCKING CHAIR SET
ASSEMBLY INSTRUCTIONS
SKU: FU251-2**

STEP 9 :

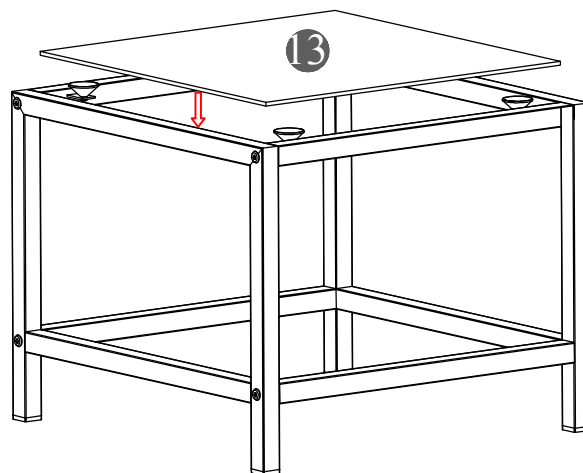


(B)	8PCS
	1/4*40
(H)	4PCS
	ø8

(F)	4PCS	(I)	1PC
	25*25		4*59

NOTE:In this step, DO NOT tighten any bolt until you connect all part together.

STEP 10 :



NOTE: Tighten all step before using. Thank you.