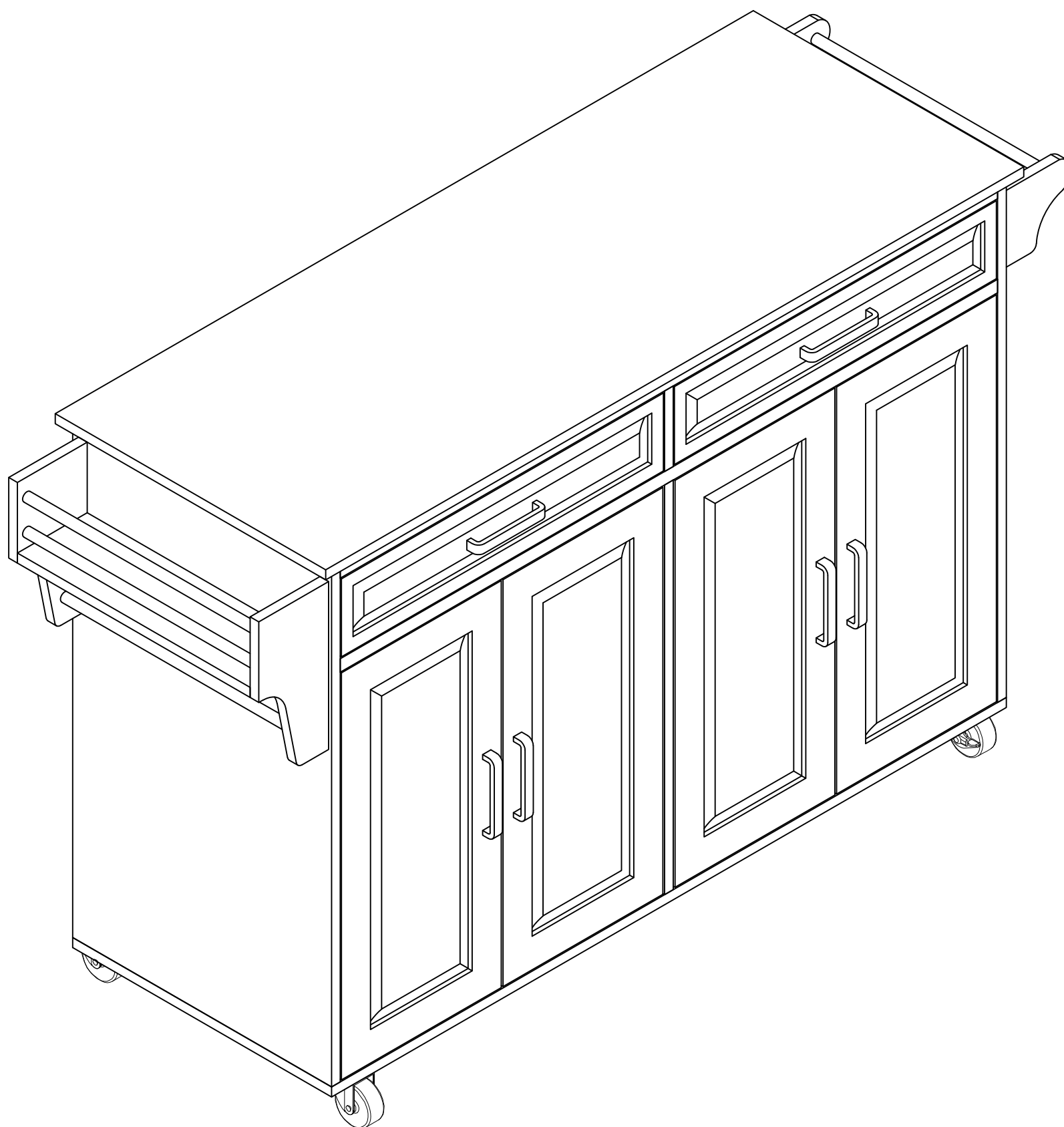


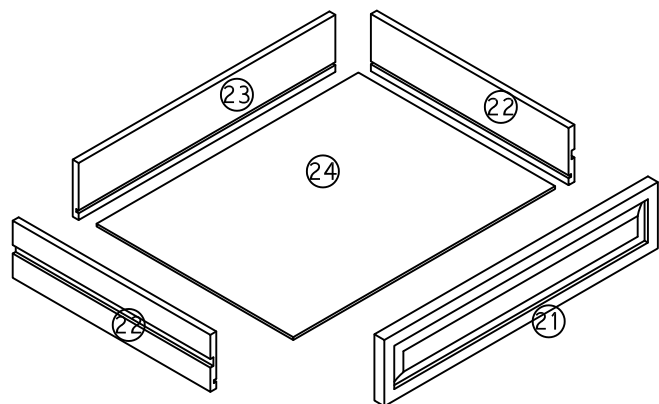
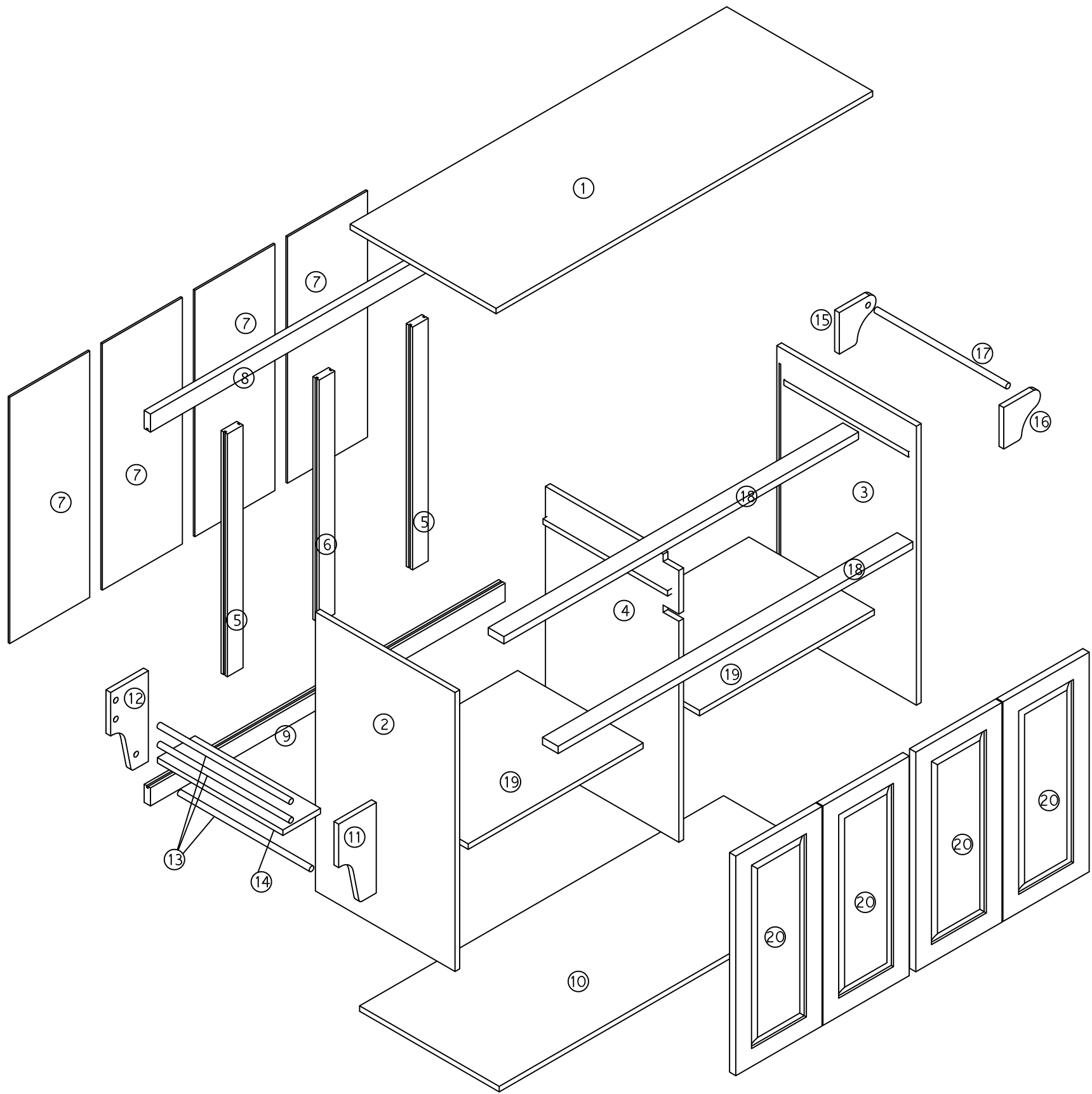
KITCHEN ISLAND

DL-DT1904/W420S00001



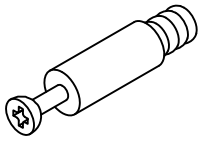
Attention please:

Improper use of screws may cause the product surface damage!
Please be careful when installing.



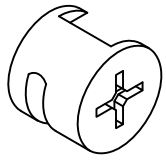
x2

Ax19

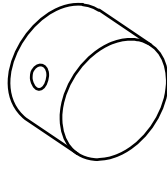


M6x35mm

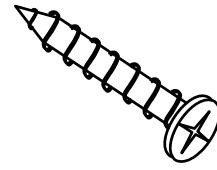
Bx19



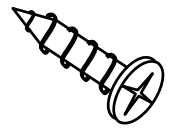
Cx8



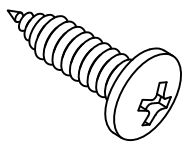
Dx26



Ex16



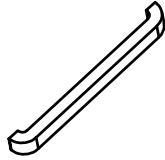
Fx16



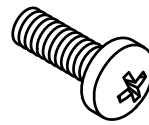
Gx48



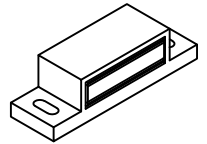
Hx6



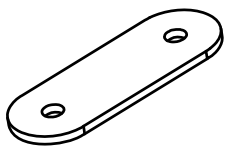
Ix12



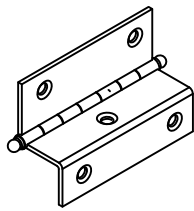
Jx4



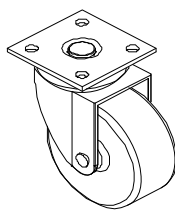
Kx4



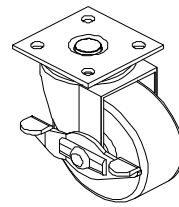
Lx8



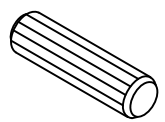
Mx2



Nx2



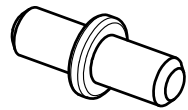
Ox12

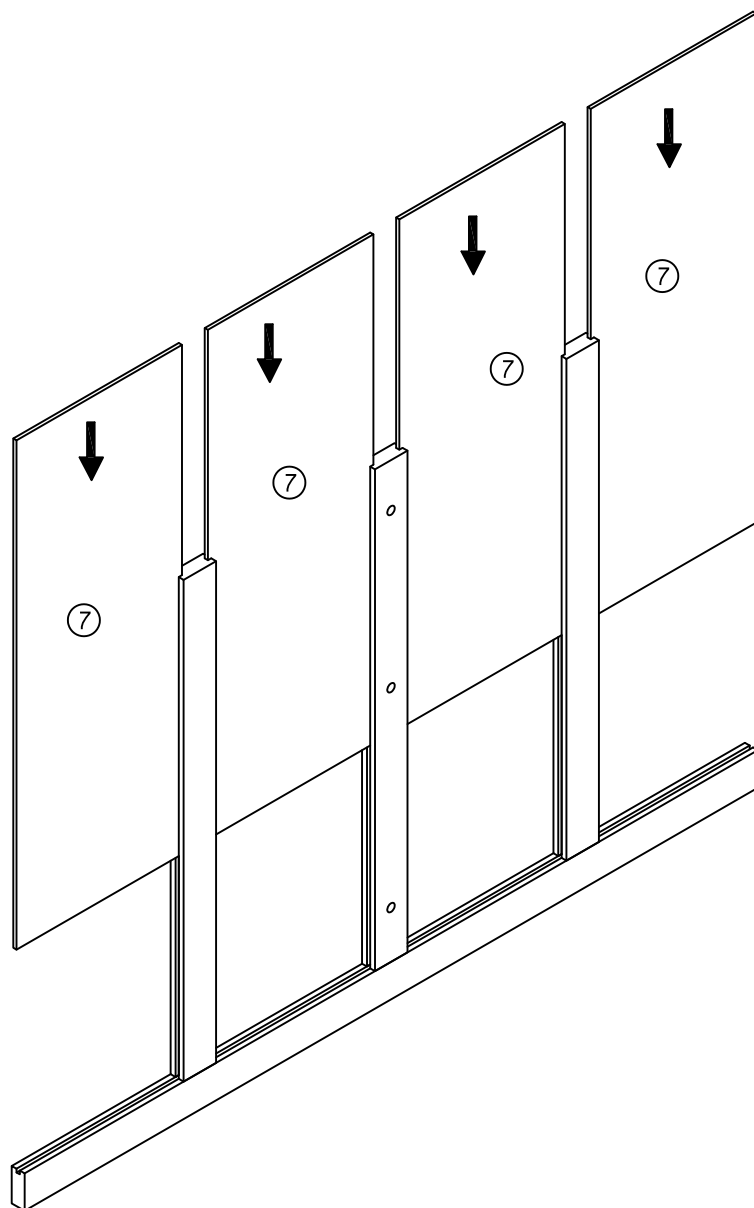
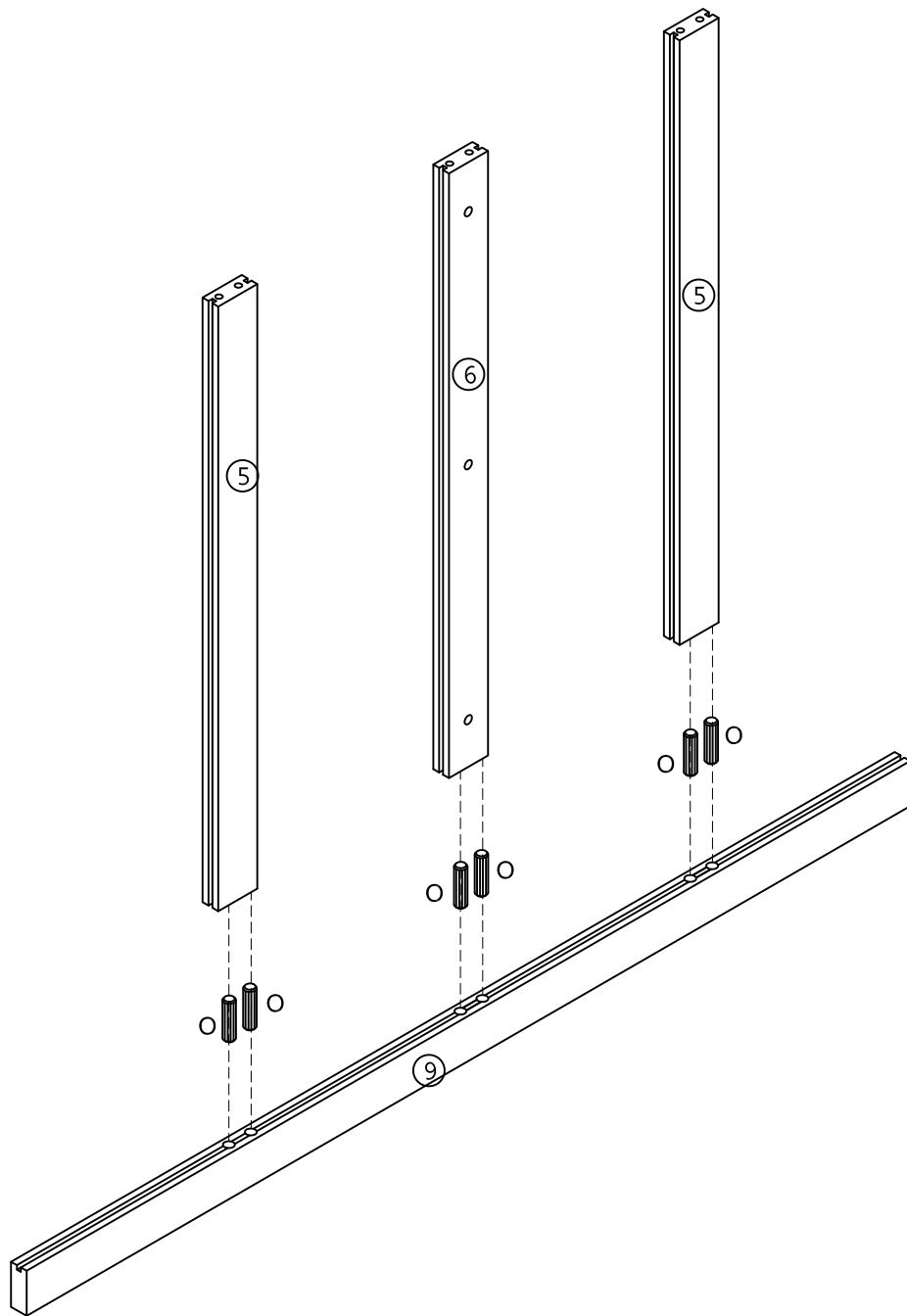
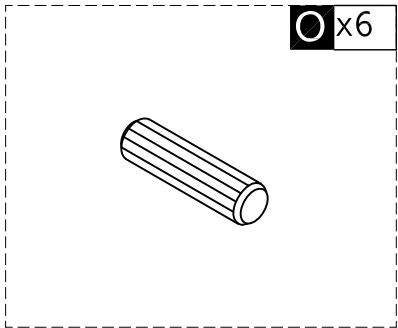


Px8

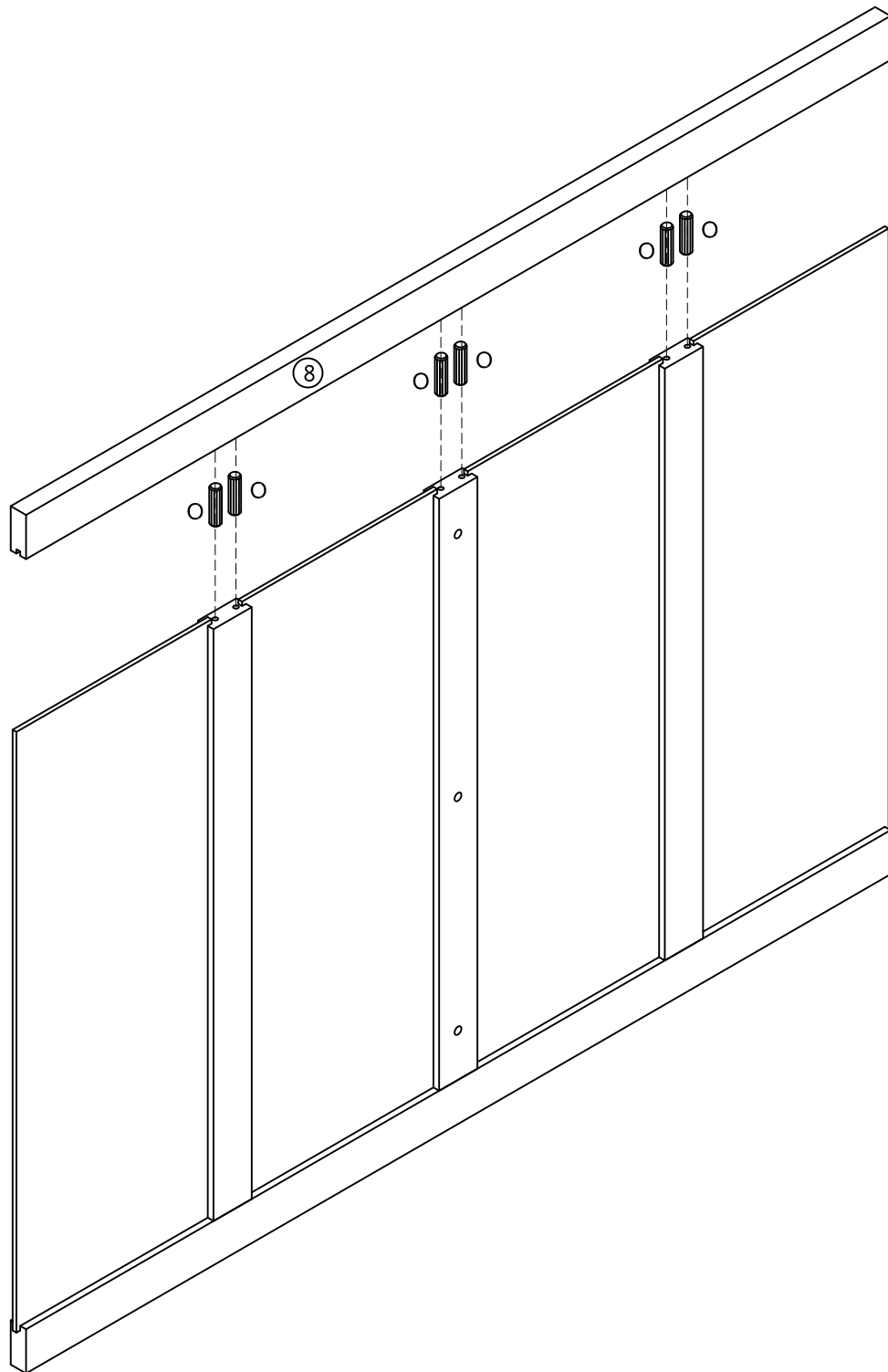
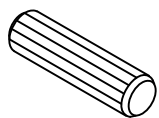


Qx8

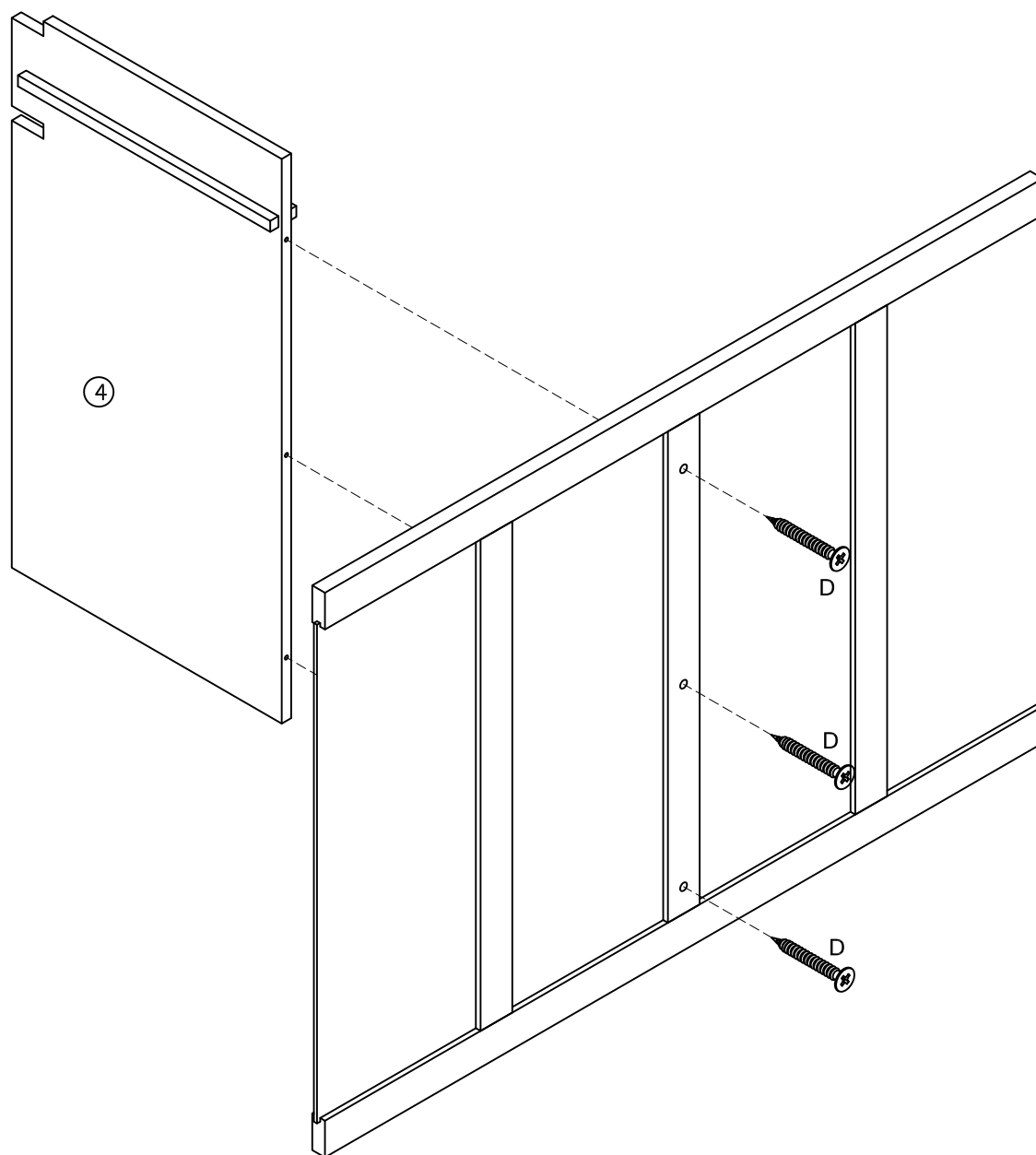
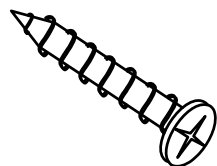




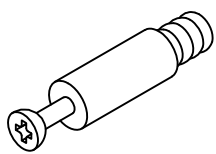
Ø x6



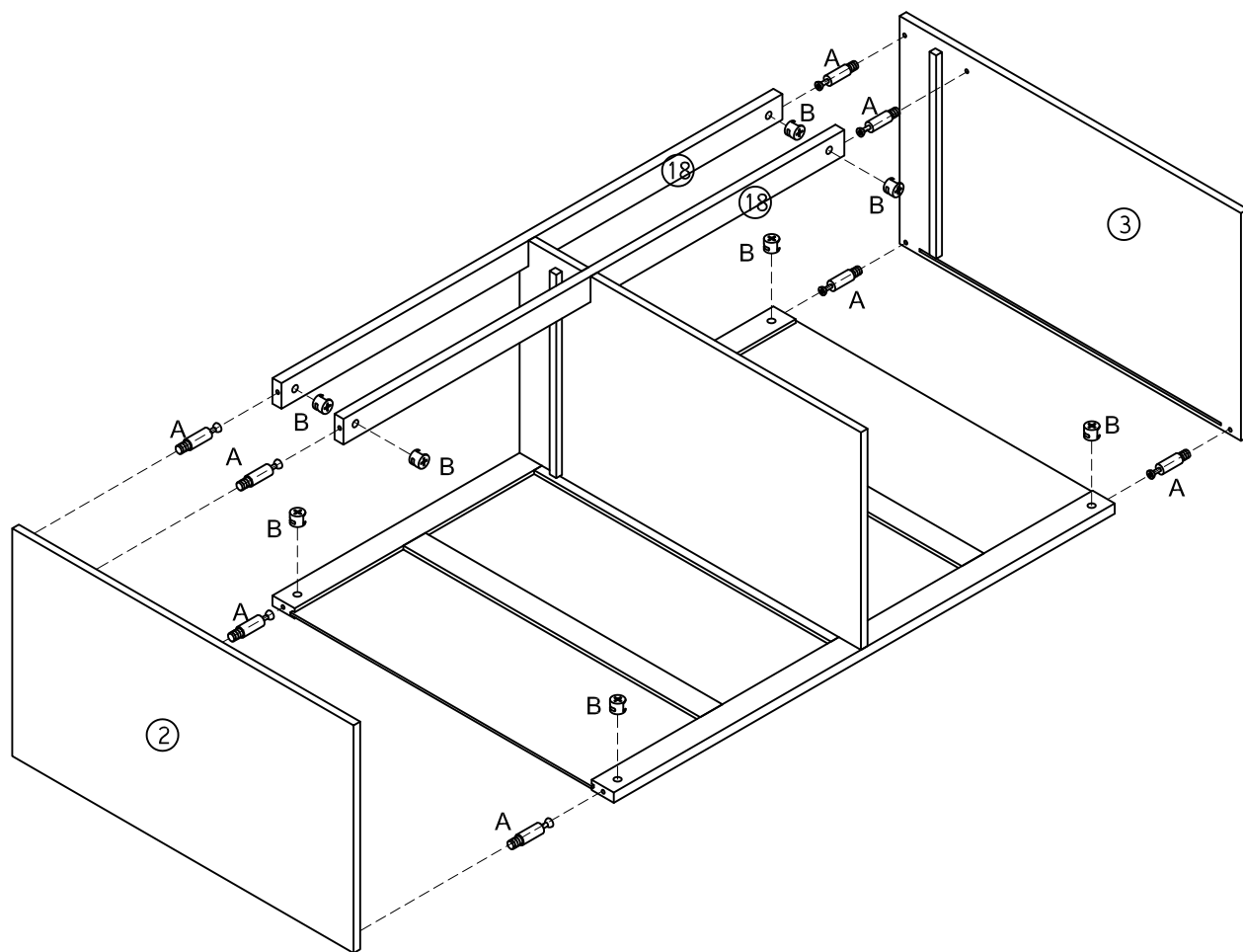
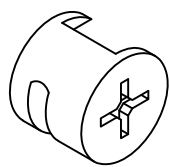
D x3



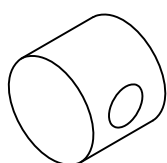
A x8



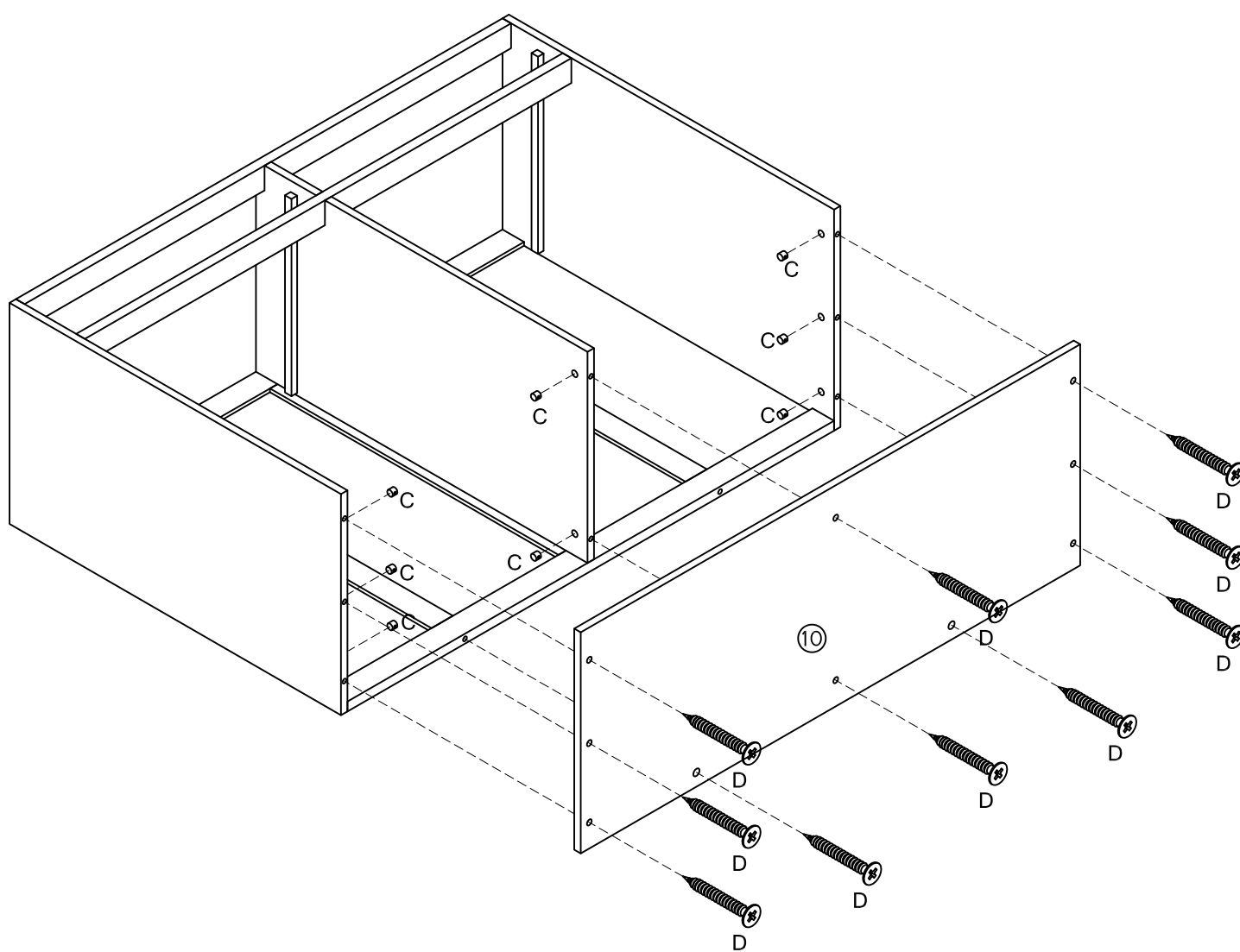
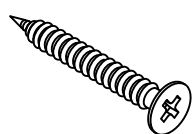
B x8



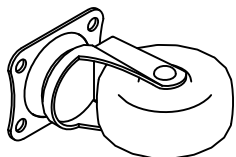
C x8



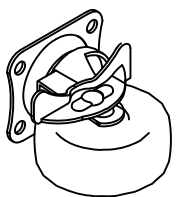
D x10



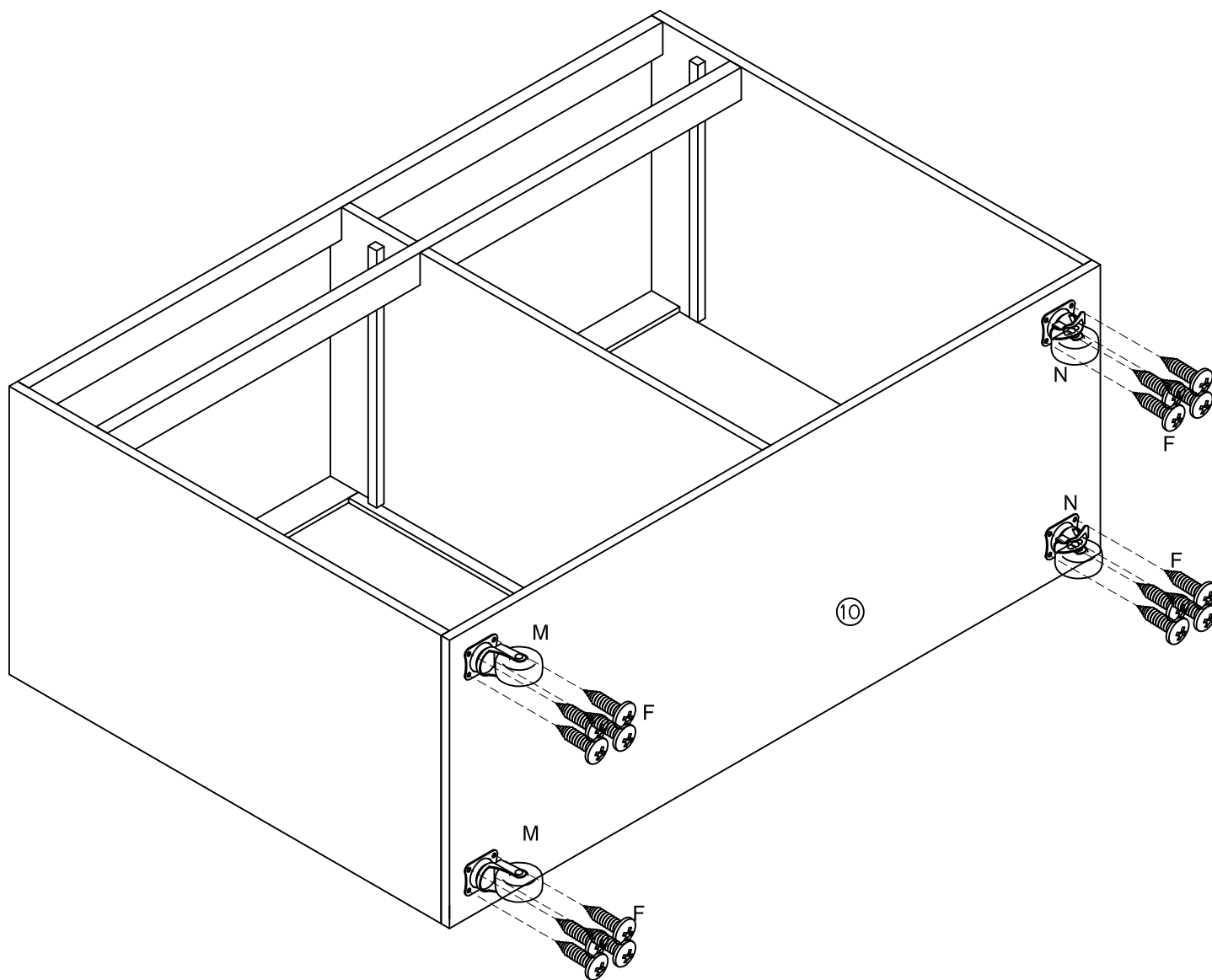
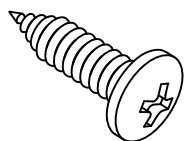
M x2



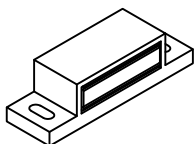
N x2



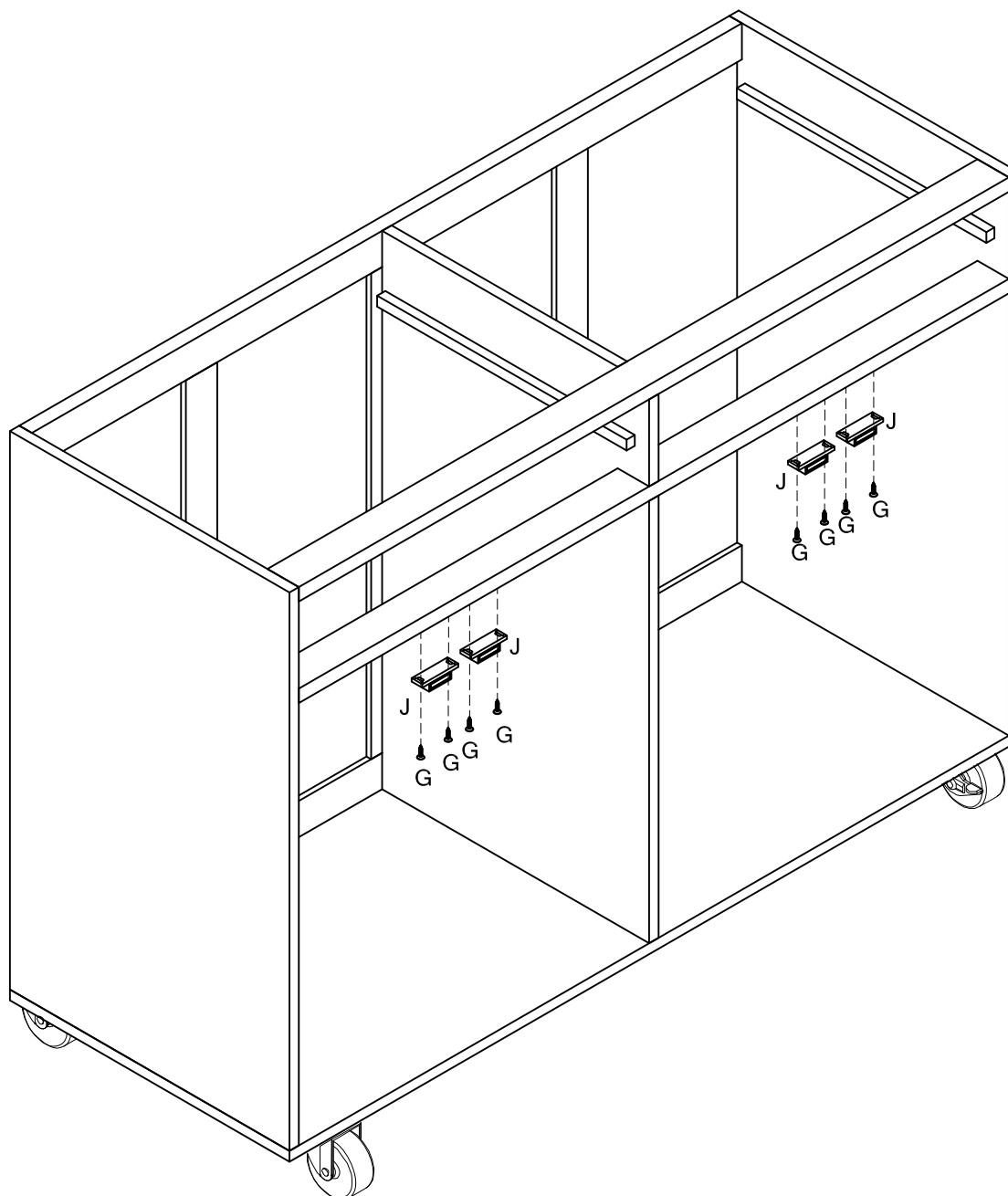
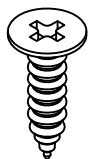
F x16

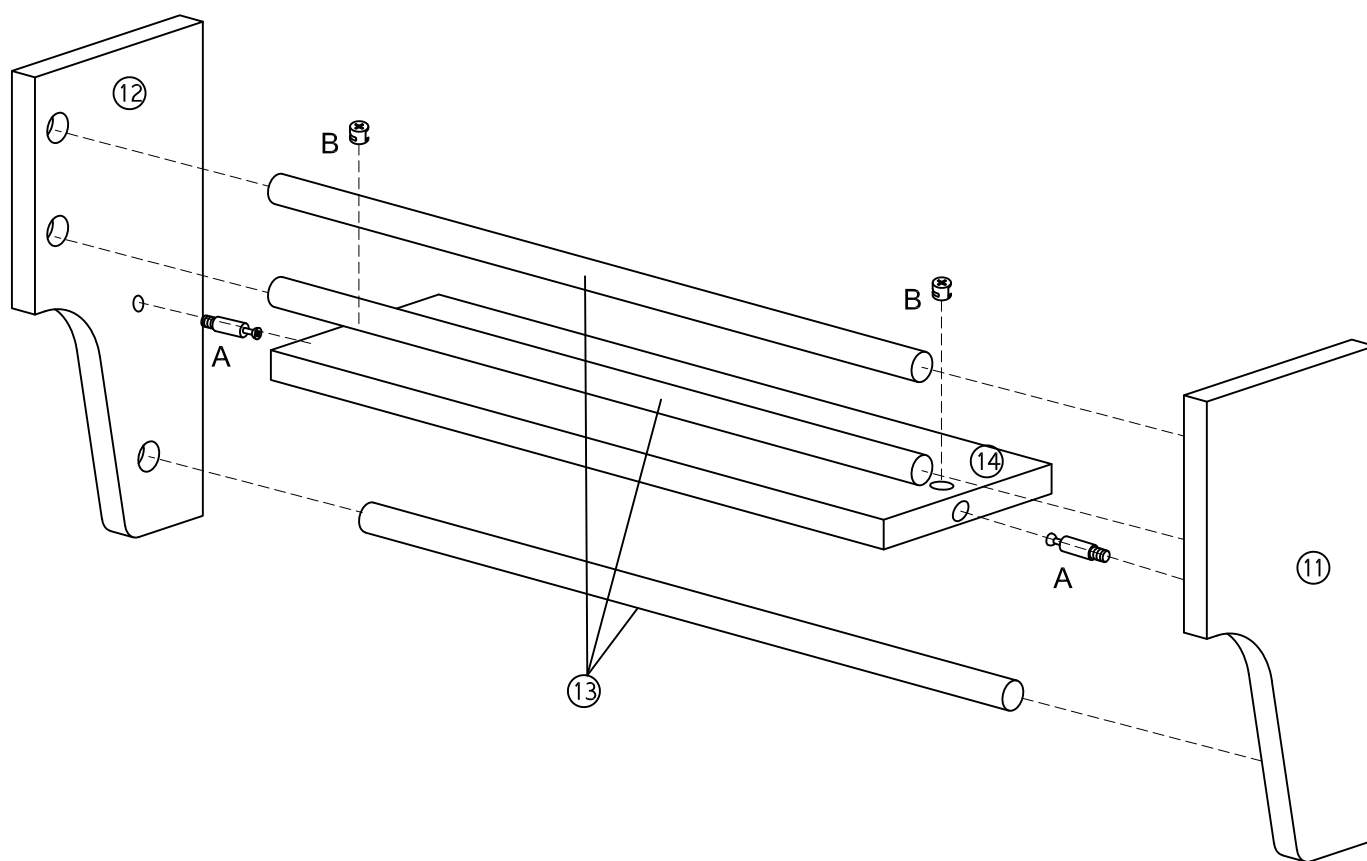
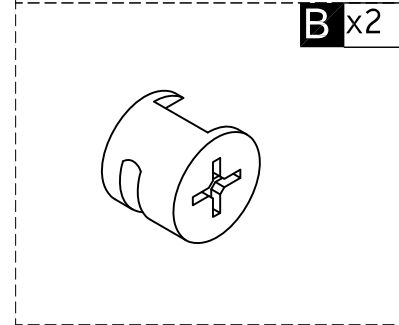
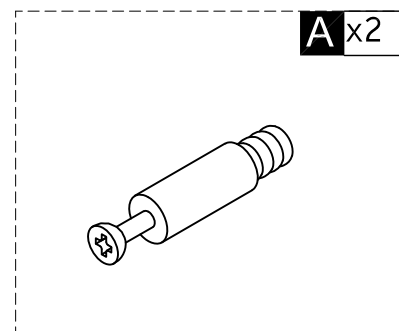
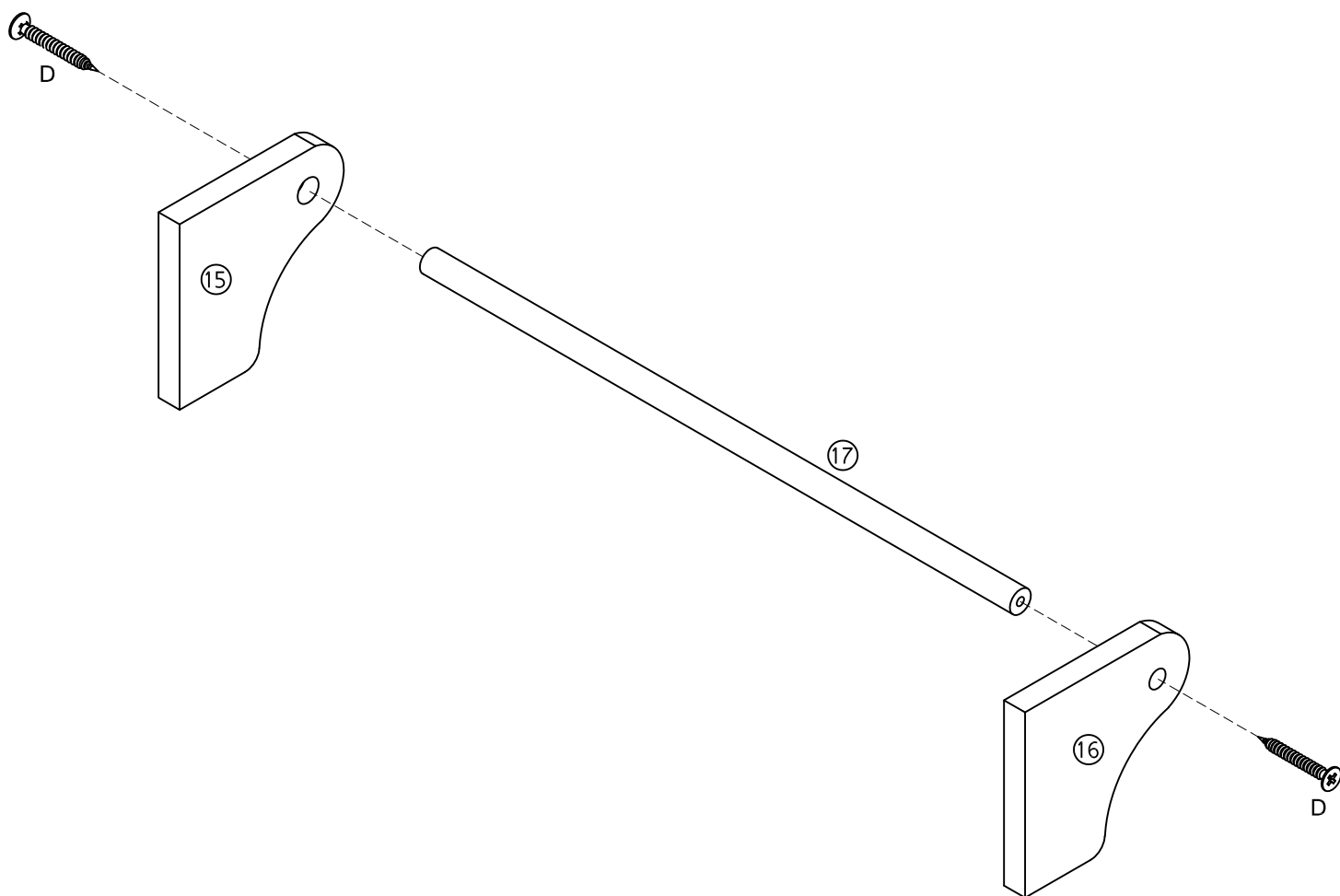
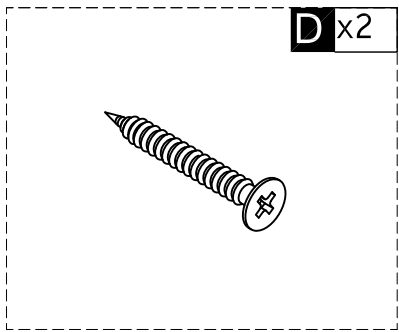


J x4

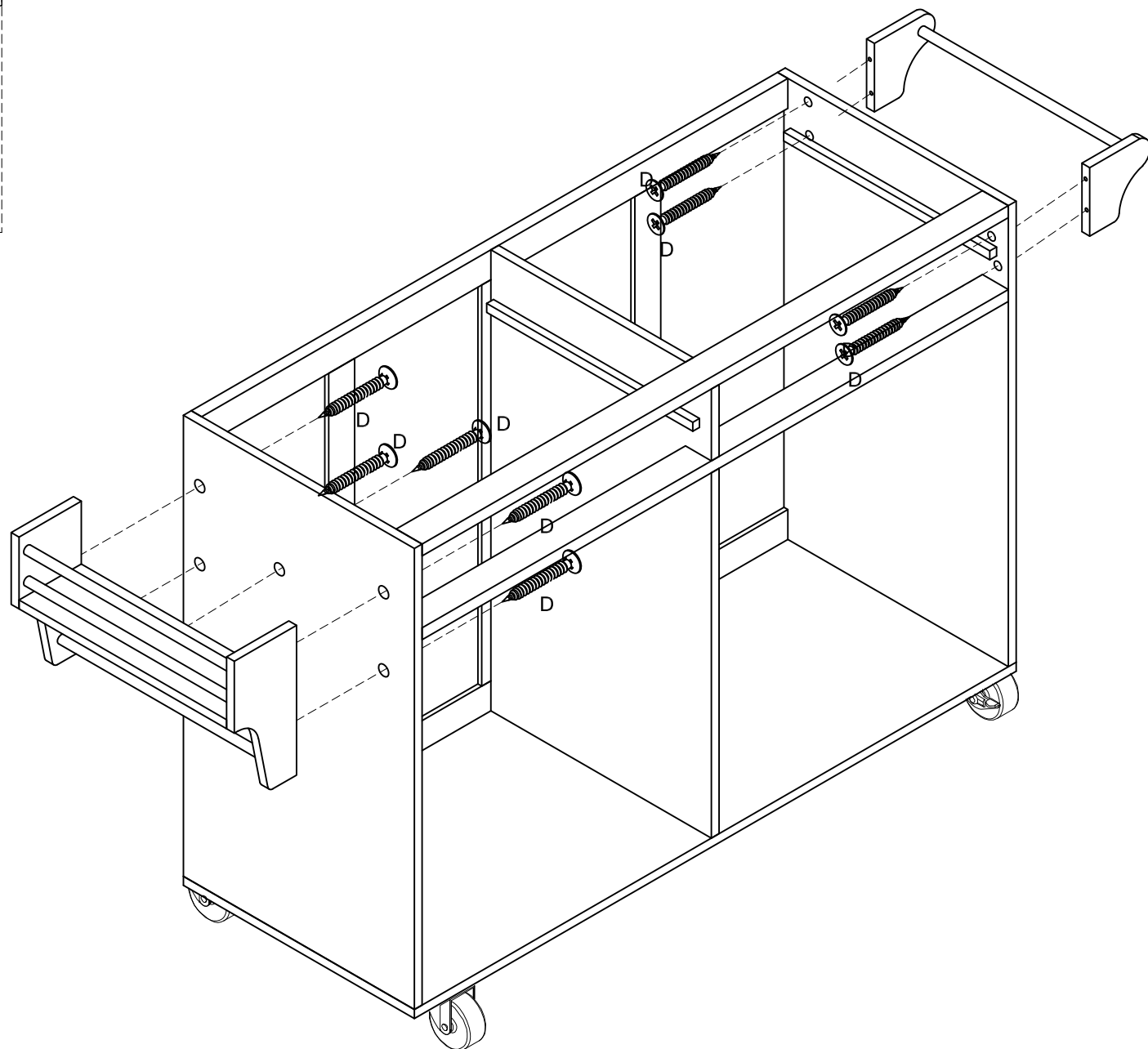
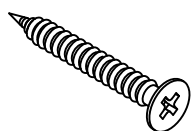


G x8

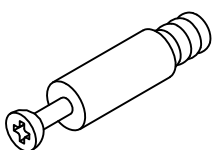




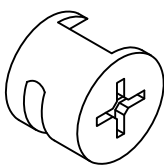
D x9



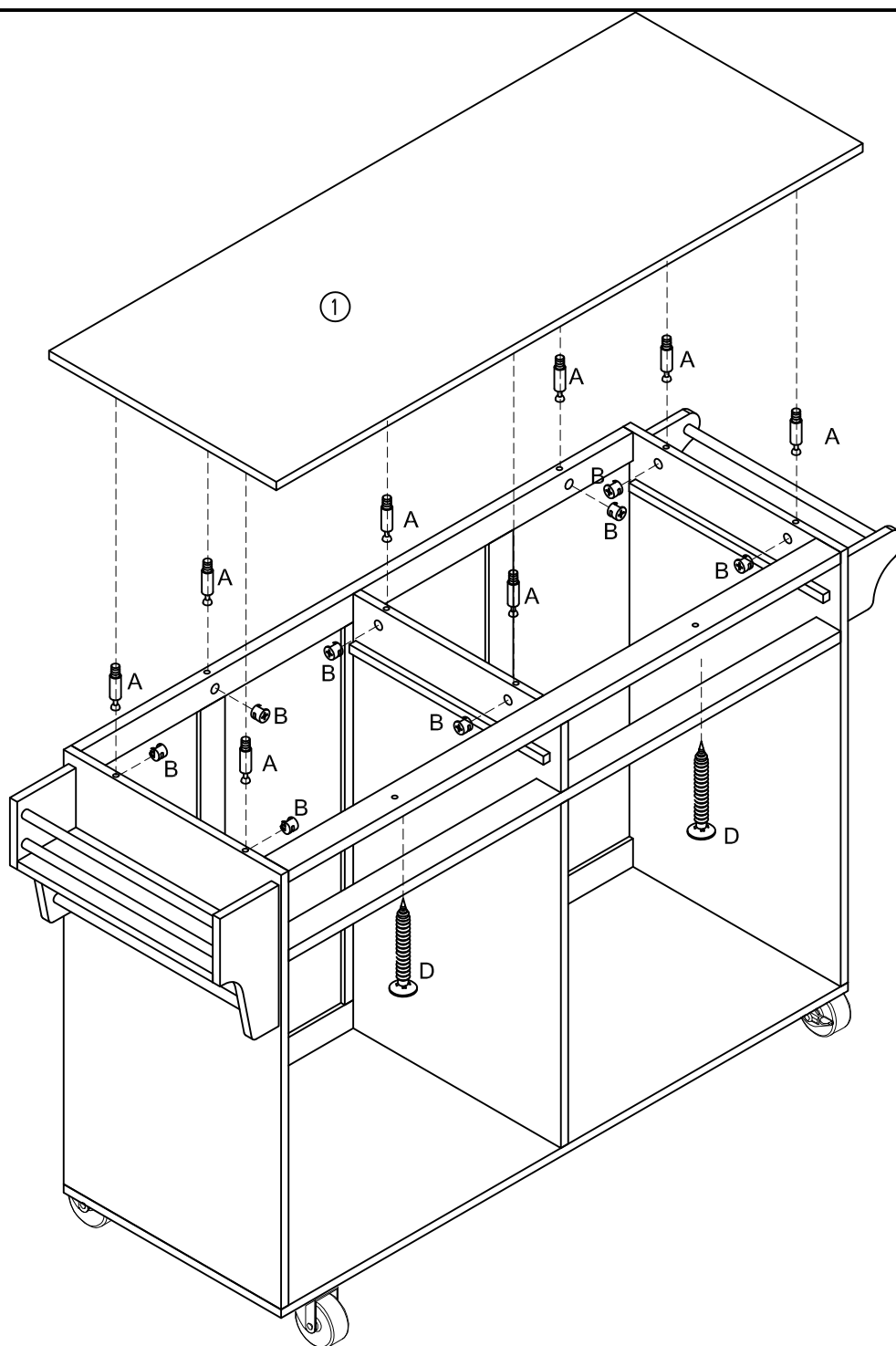
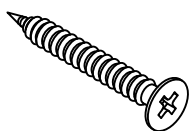
A x8



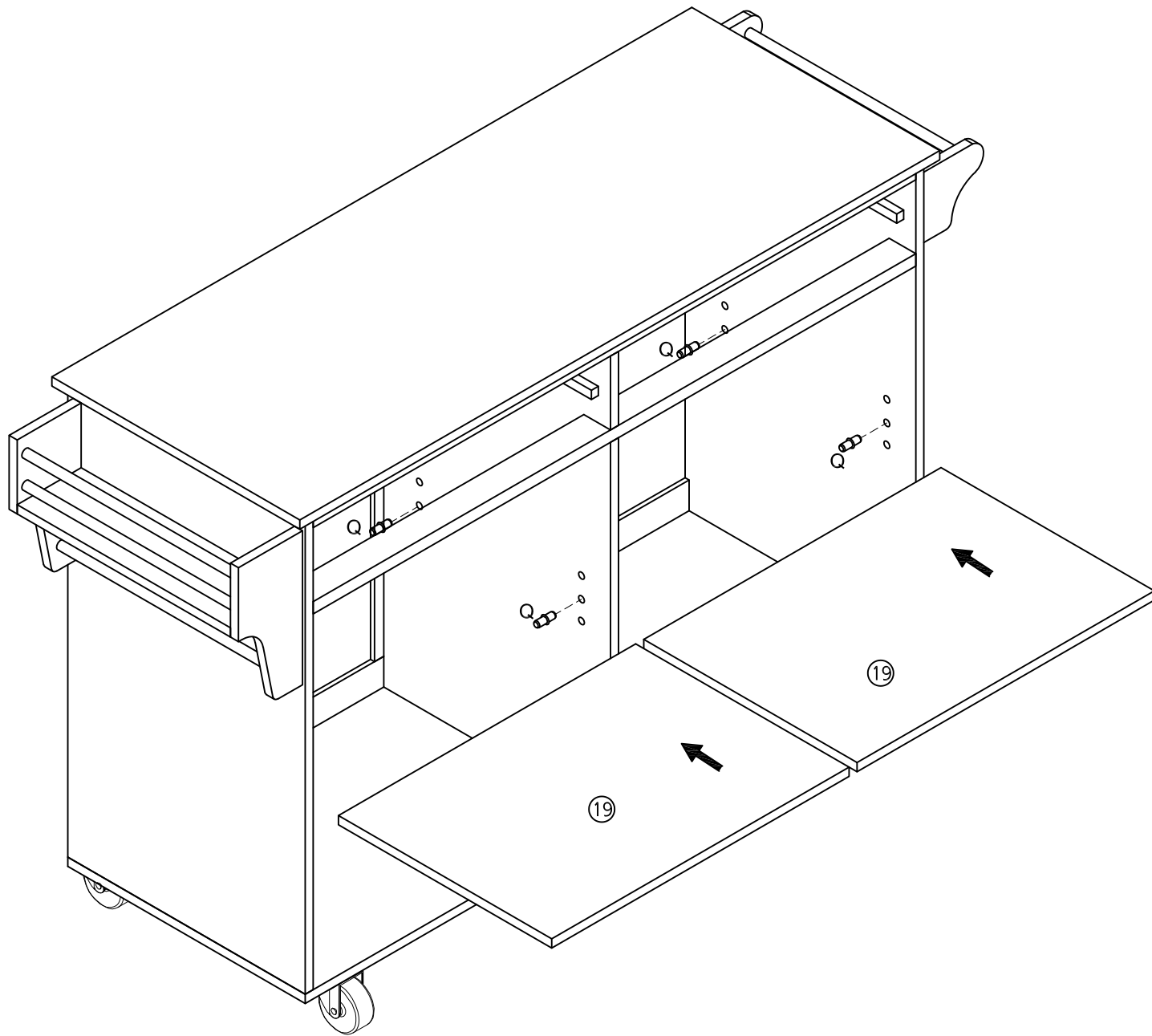
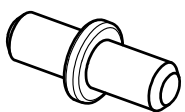
B x8



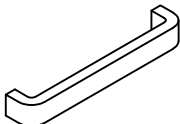
D x2



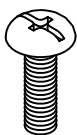
Q x8



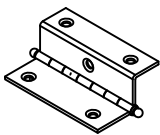
H x4



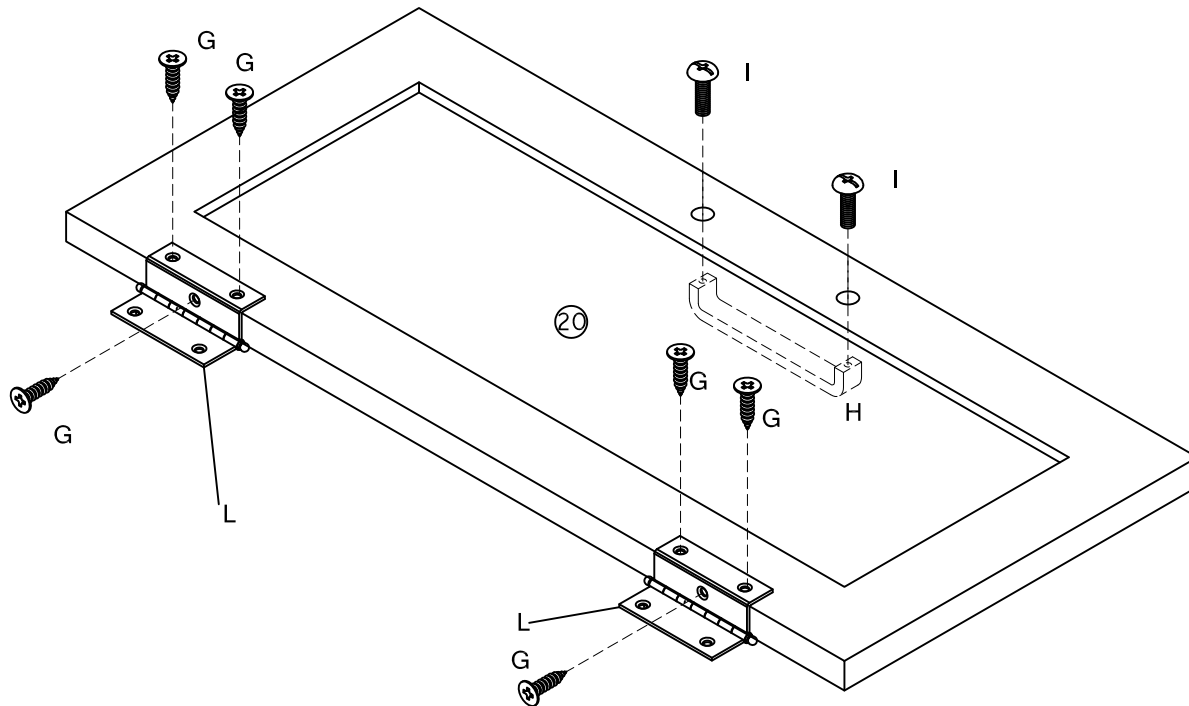
I x8



L x8



G x24



x4

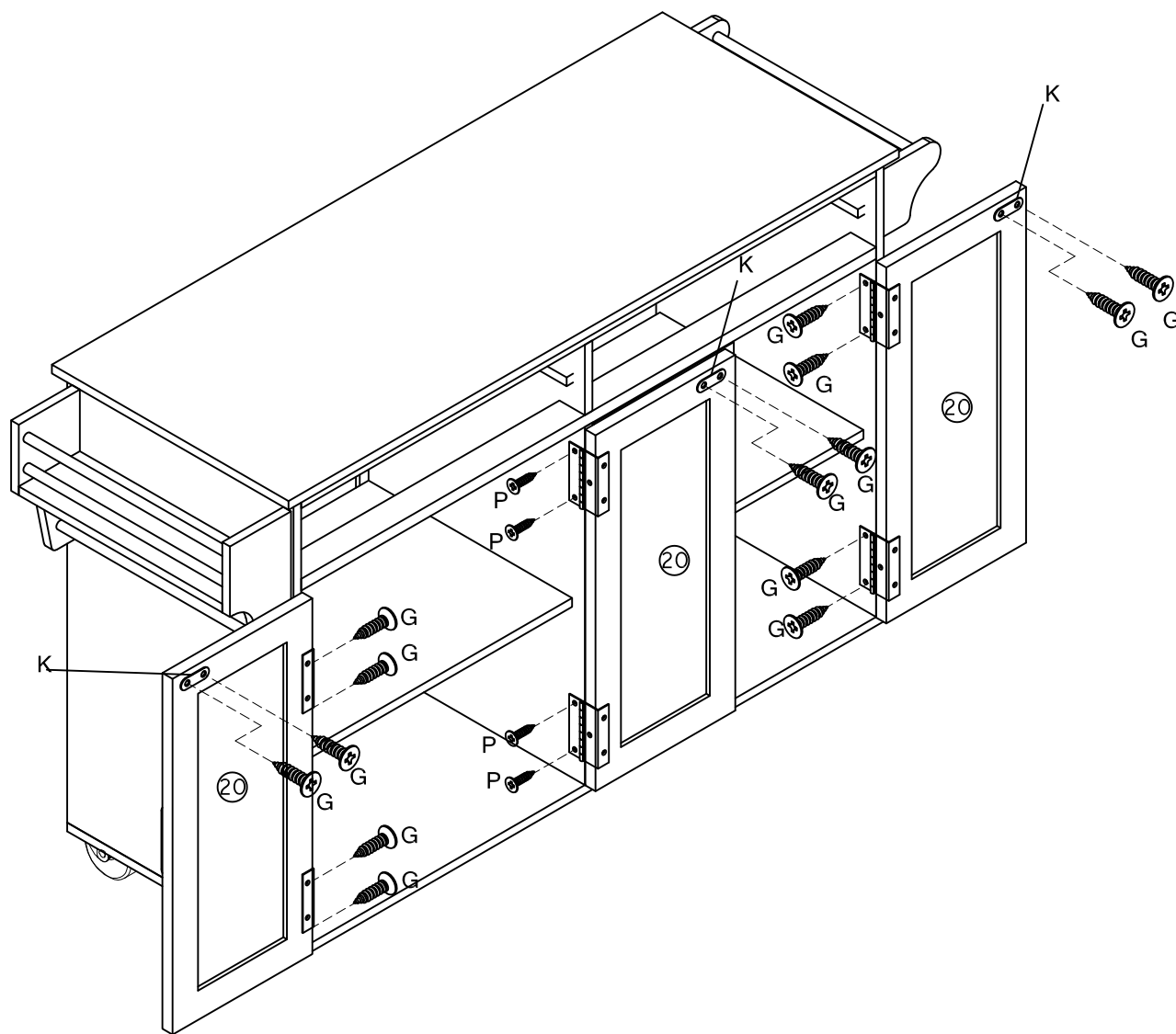
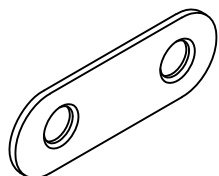
Gx16



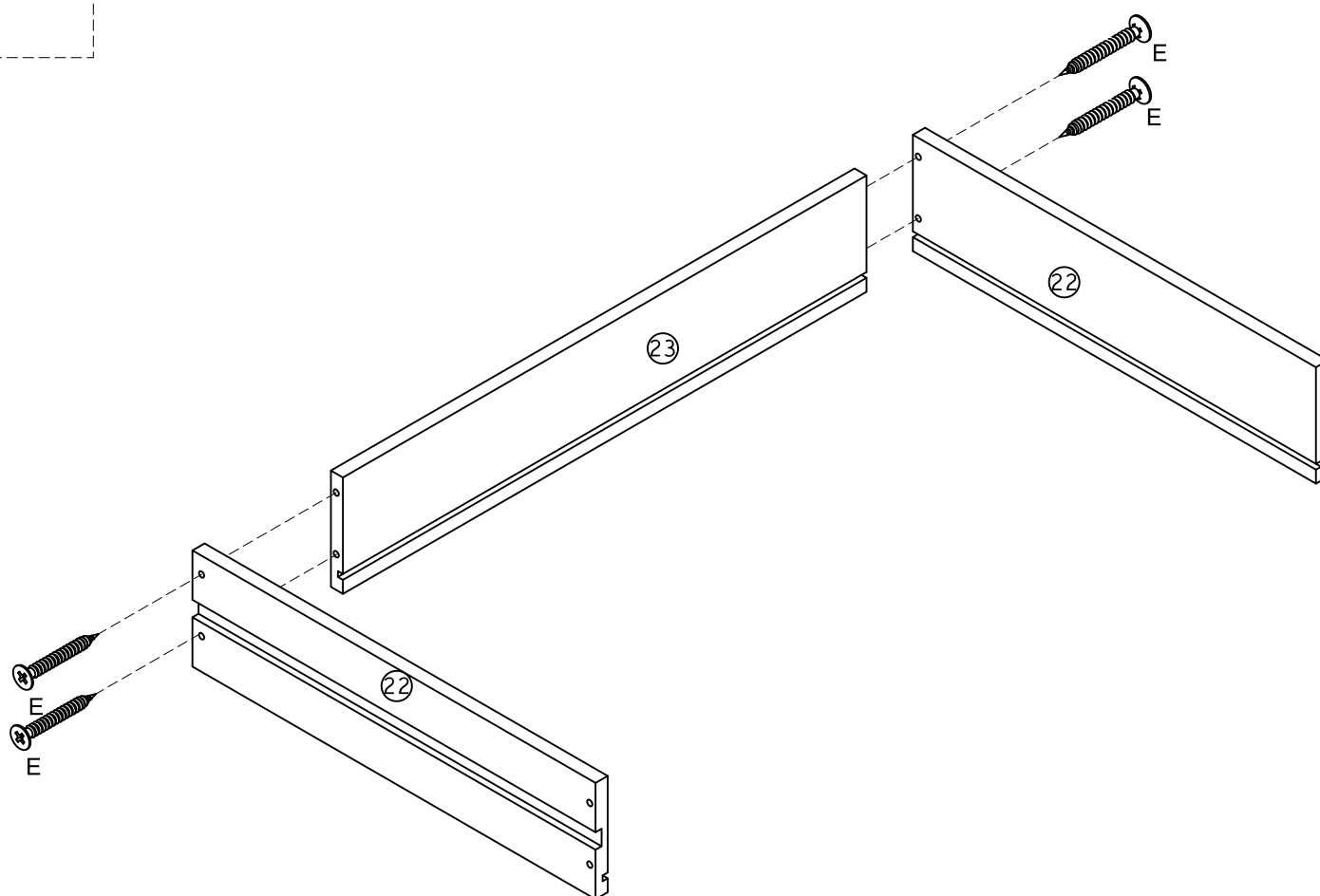
Px8



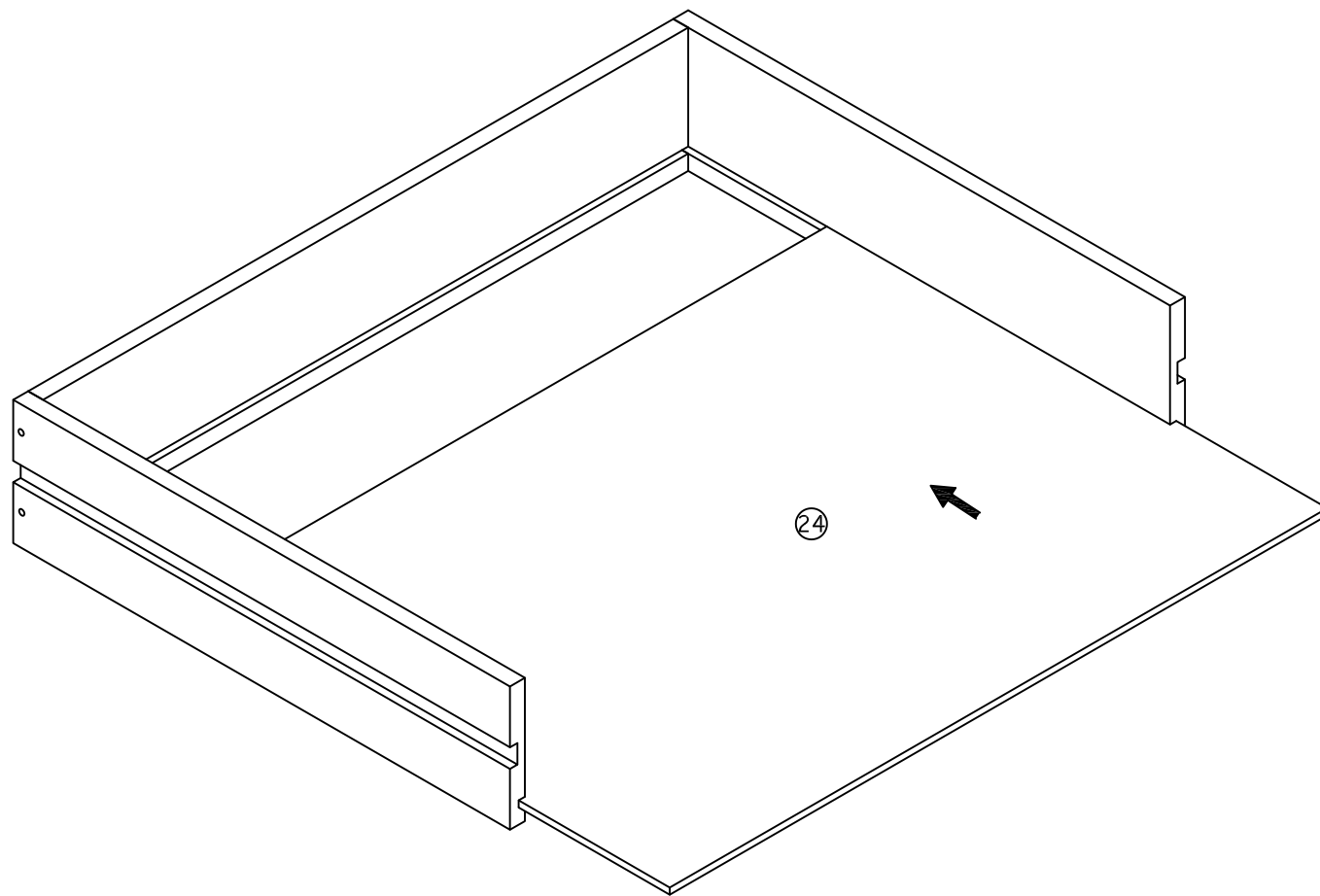
Kx4



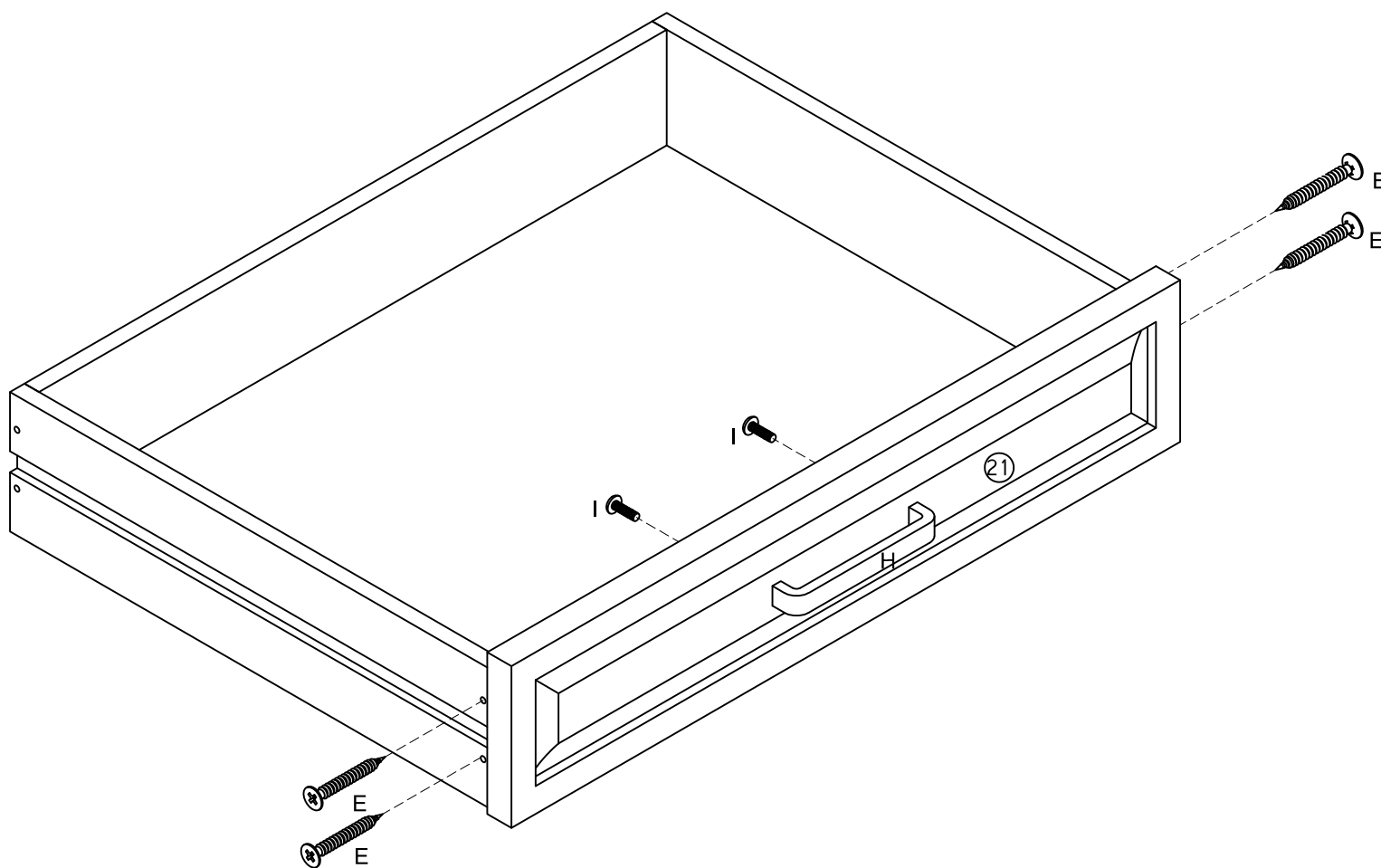
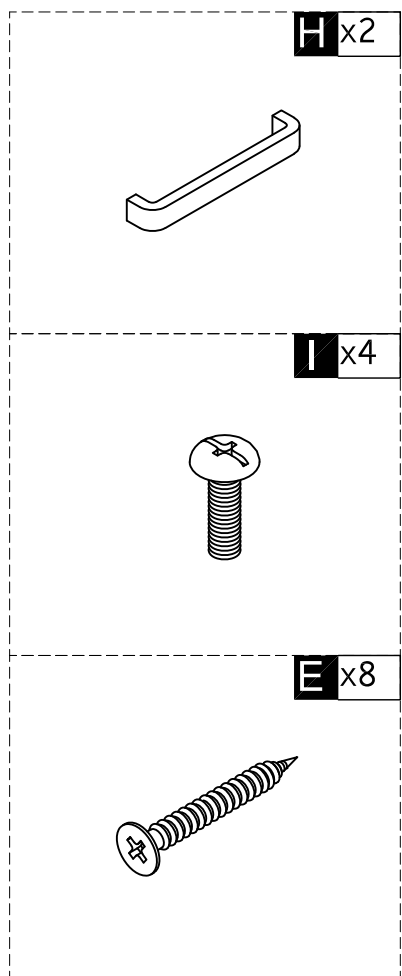
Ex8



x2



x2



x2

