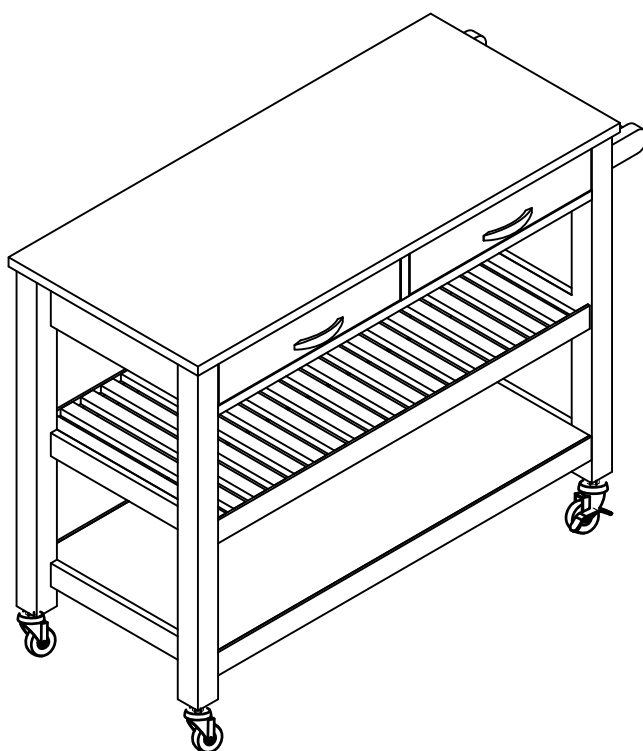


KITCHEN ISLAND

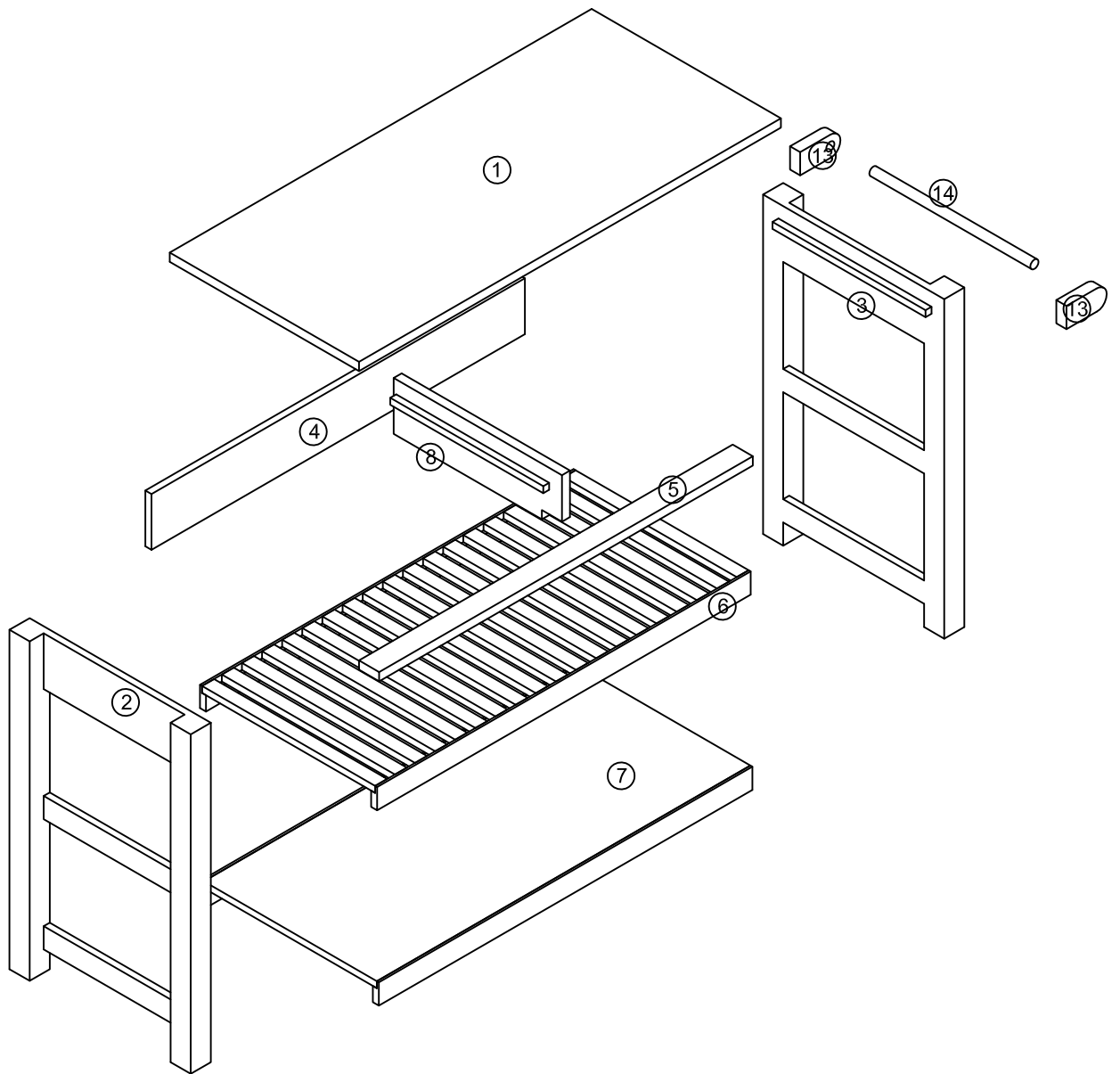
DL-DT1910/W42019901

DL-DT1910W/W42019902

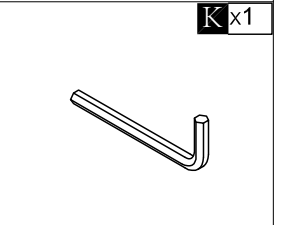
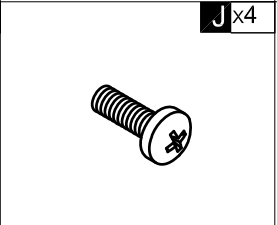
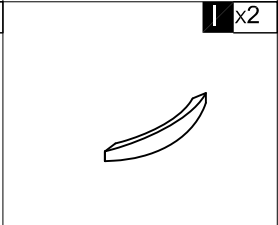
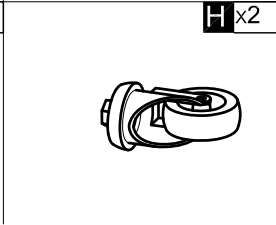
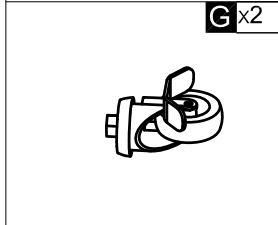
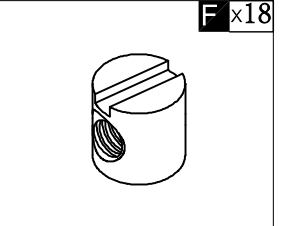
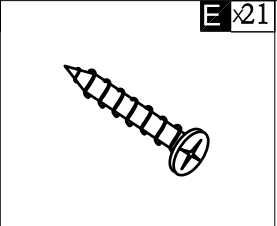
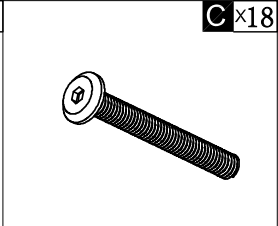
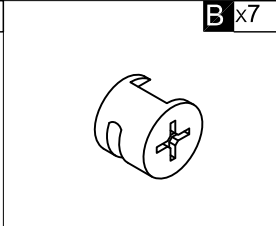
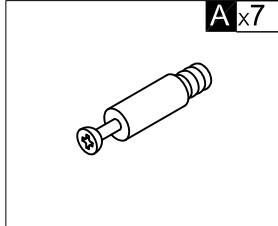


Attention please:

Improper use of screws may cause the product surface damage!
Please be careful when installing.



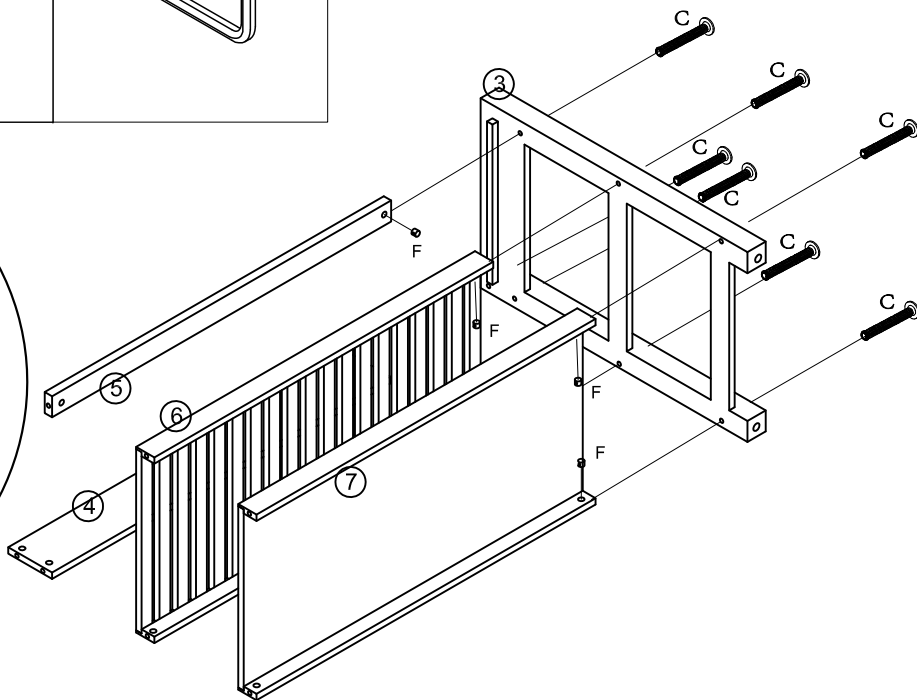
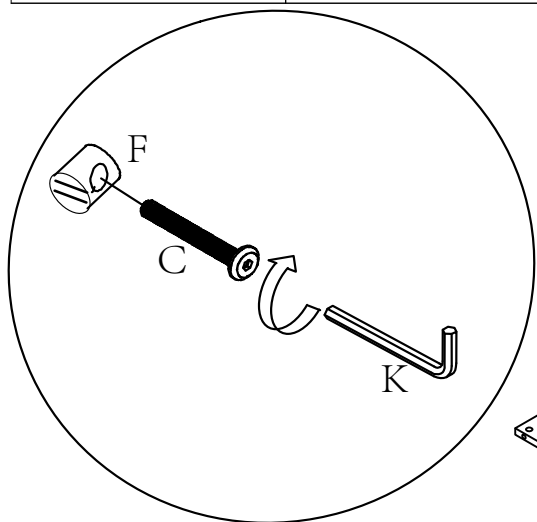
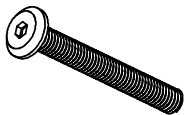
x2



C x7

F x7

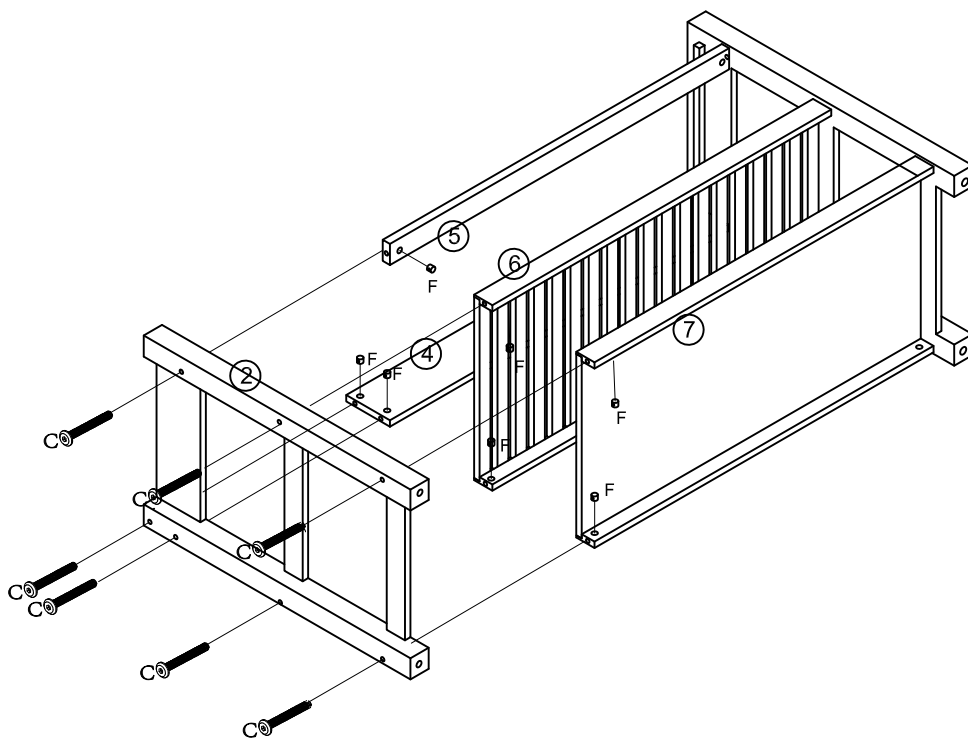
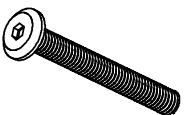
K x1



C x7

F x7

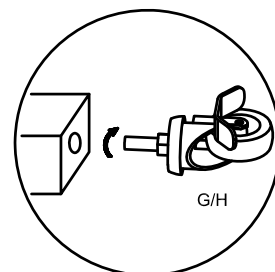
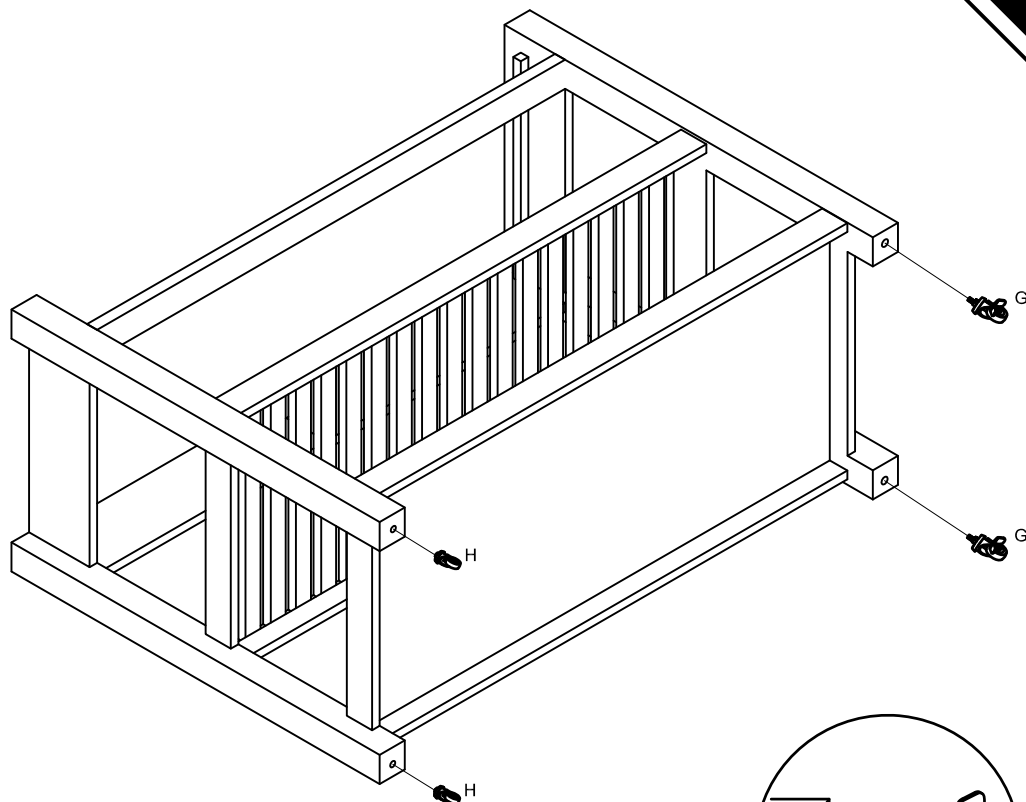
K x1



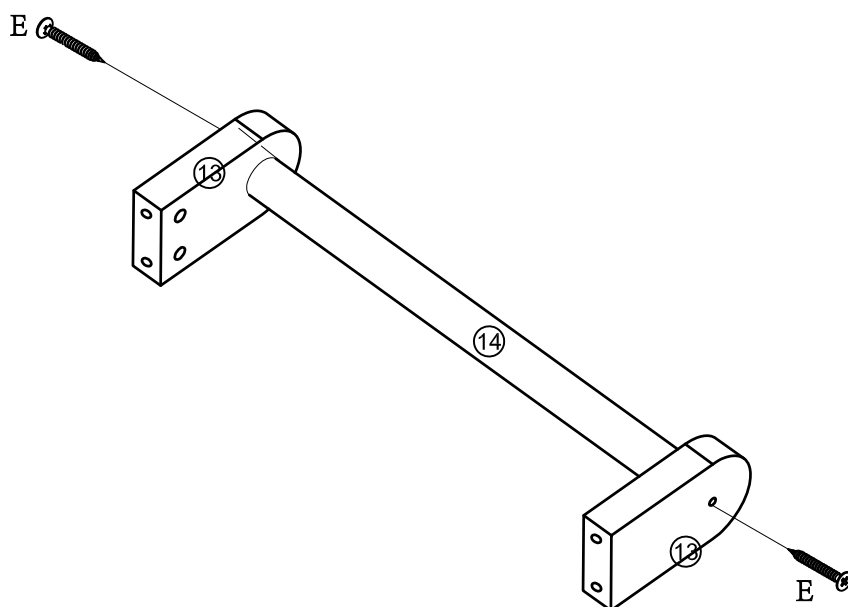
G x2



H x2



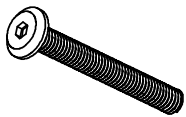
E x2



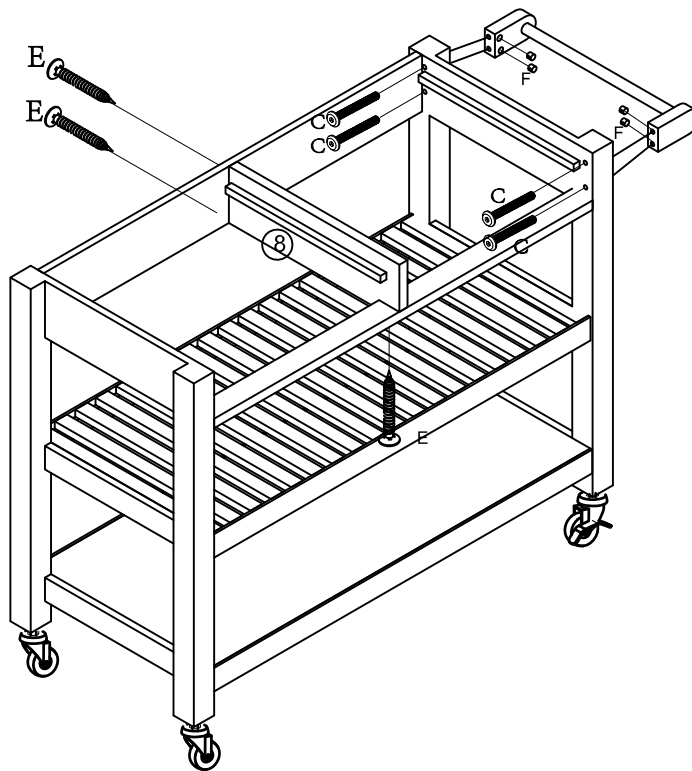
C x4

F x4

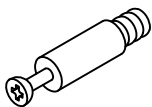
K x1



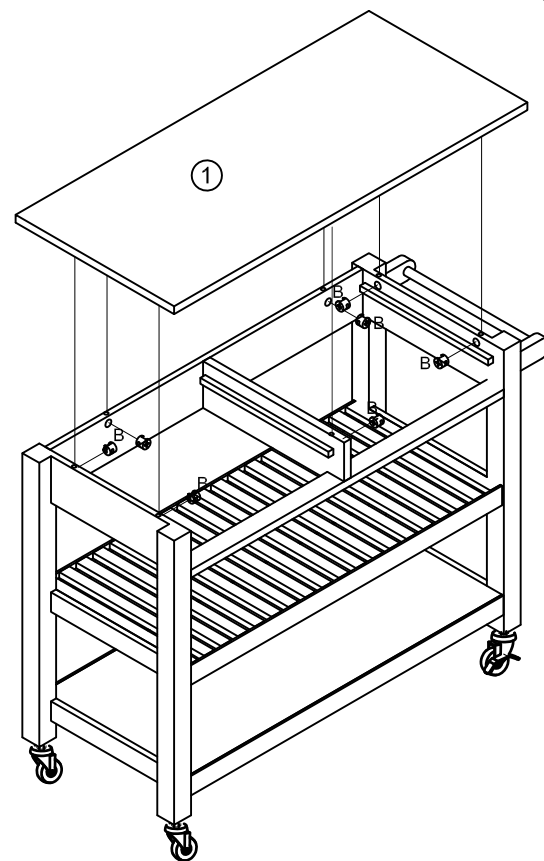
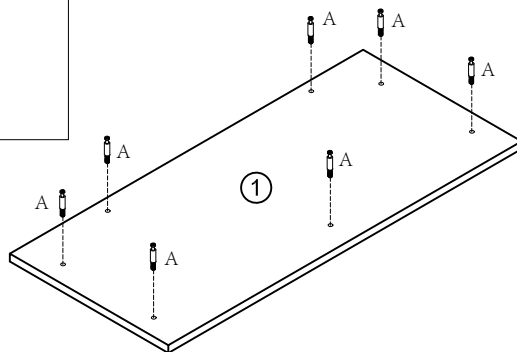
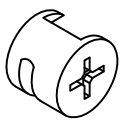
E x3

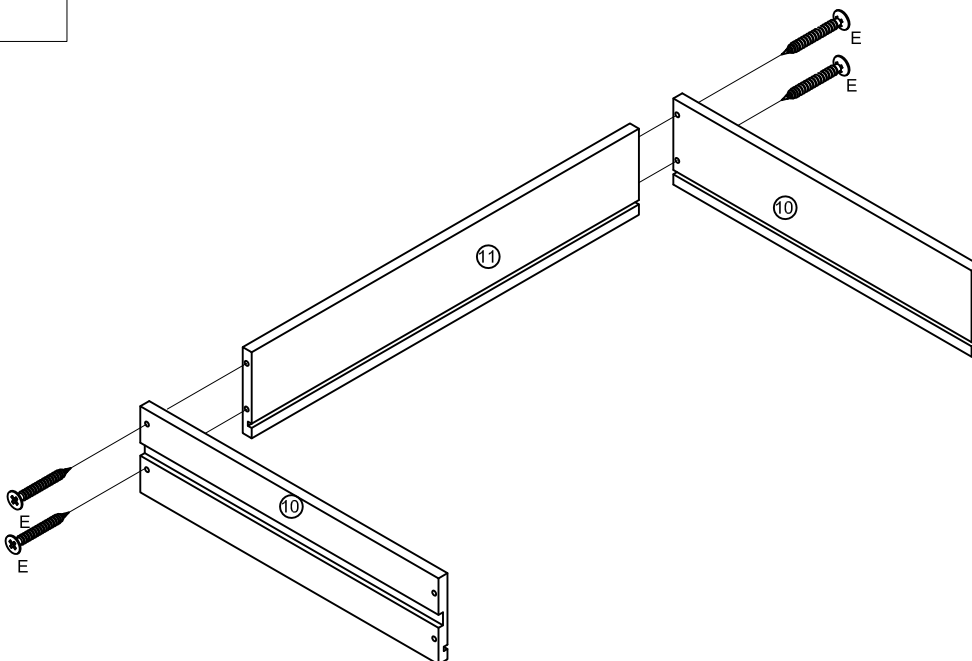
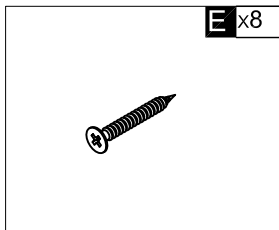


A x7

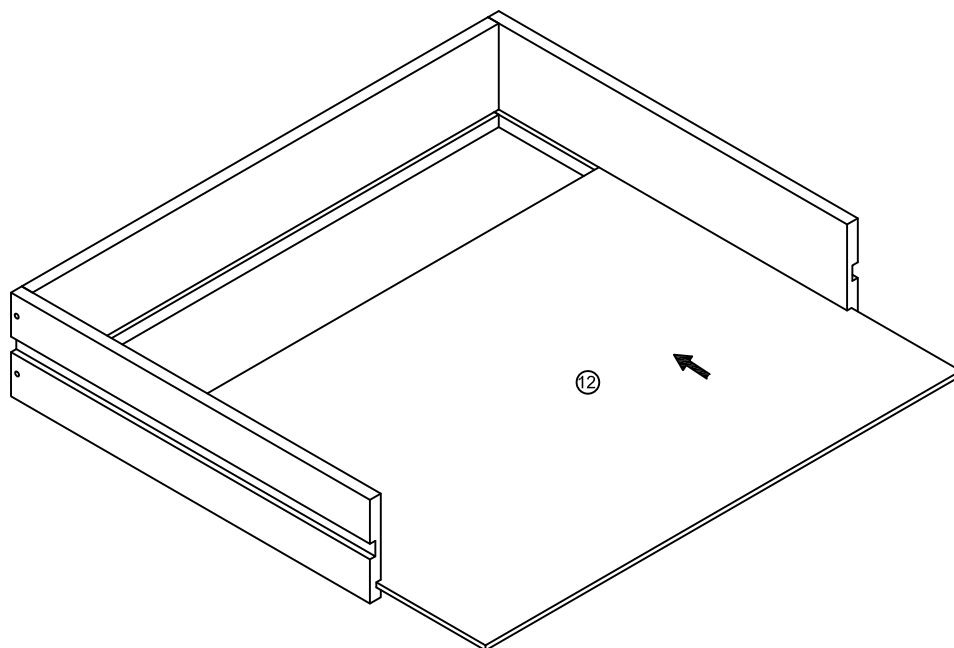


B x7





x2



x2

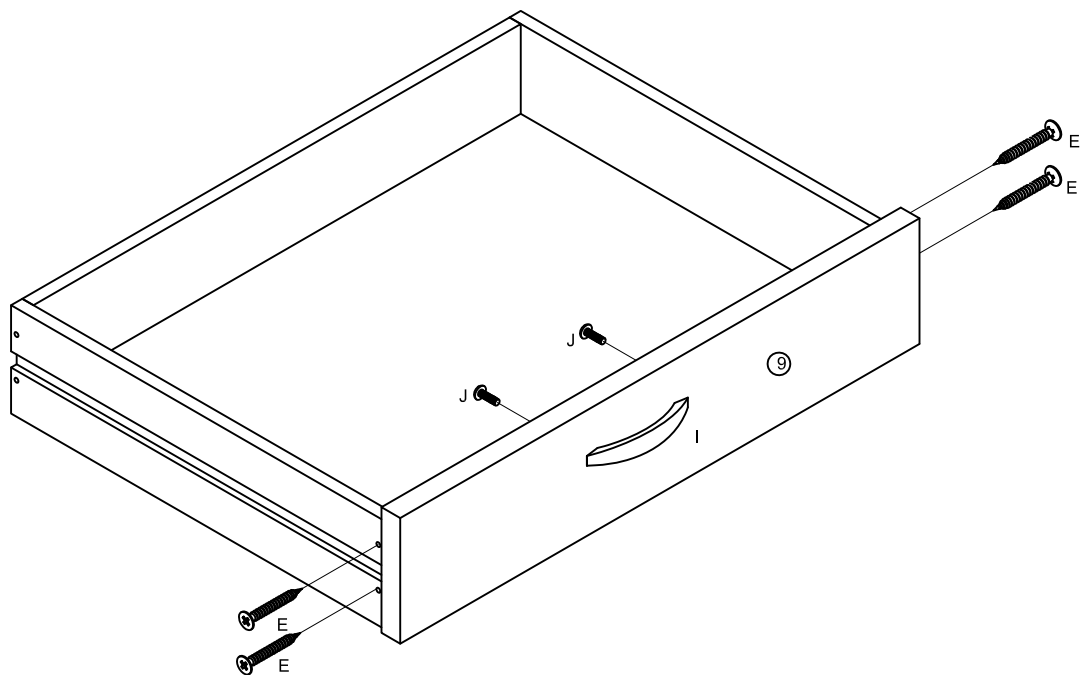
I x2



J x4



E x8



x2

