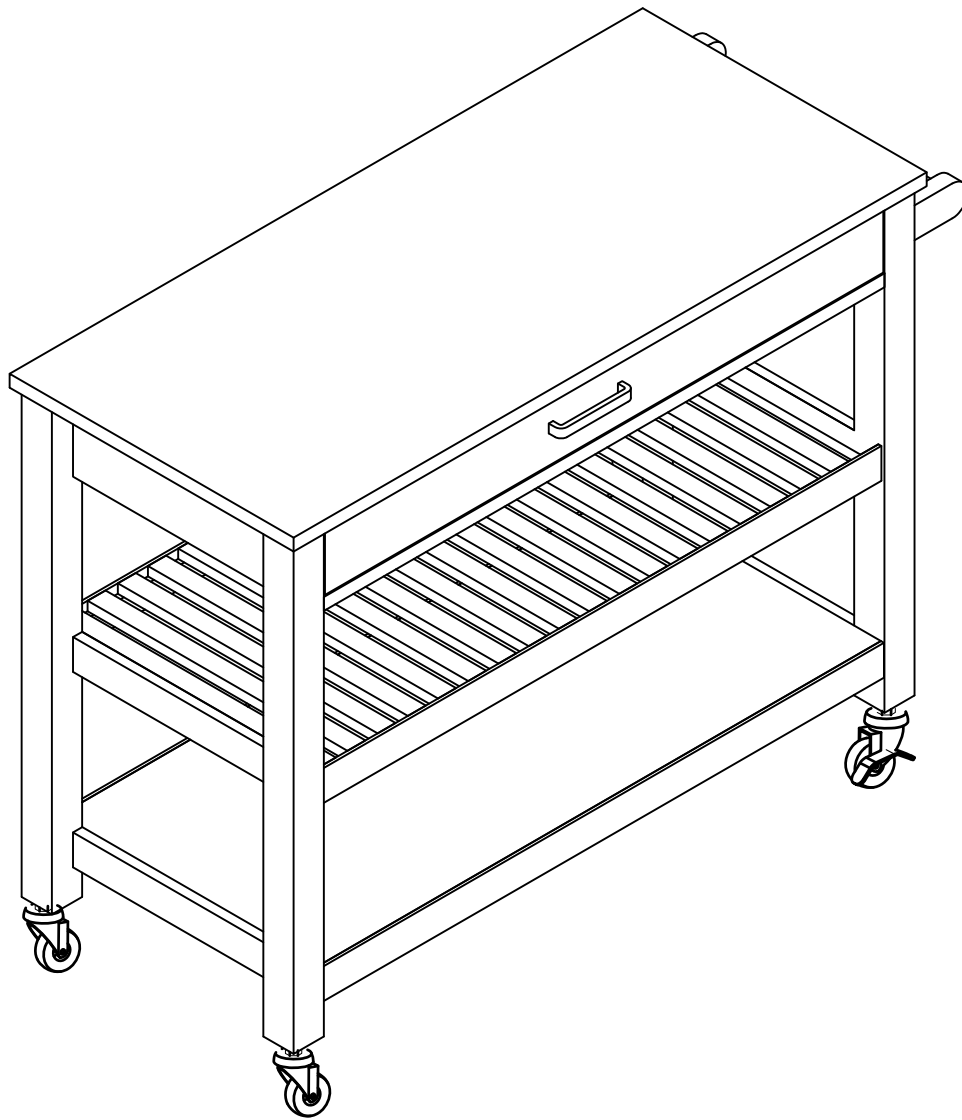


KITCHEN ISLAND

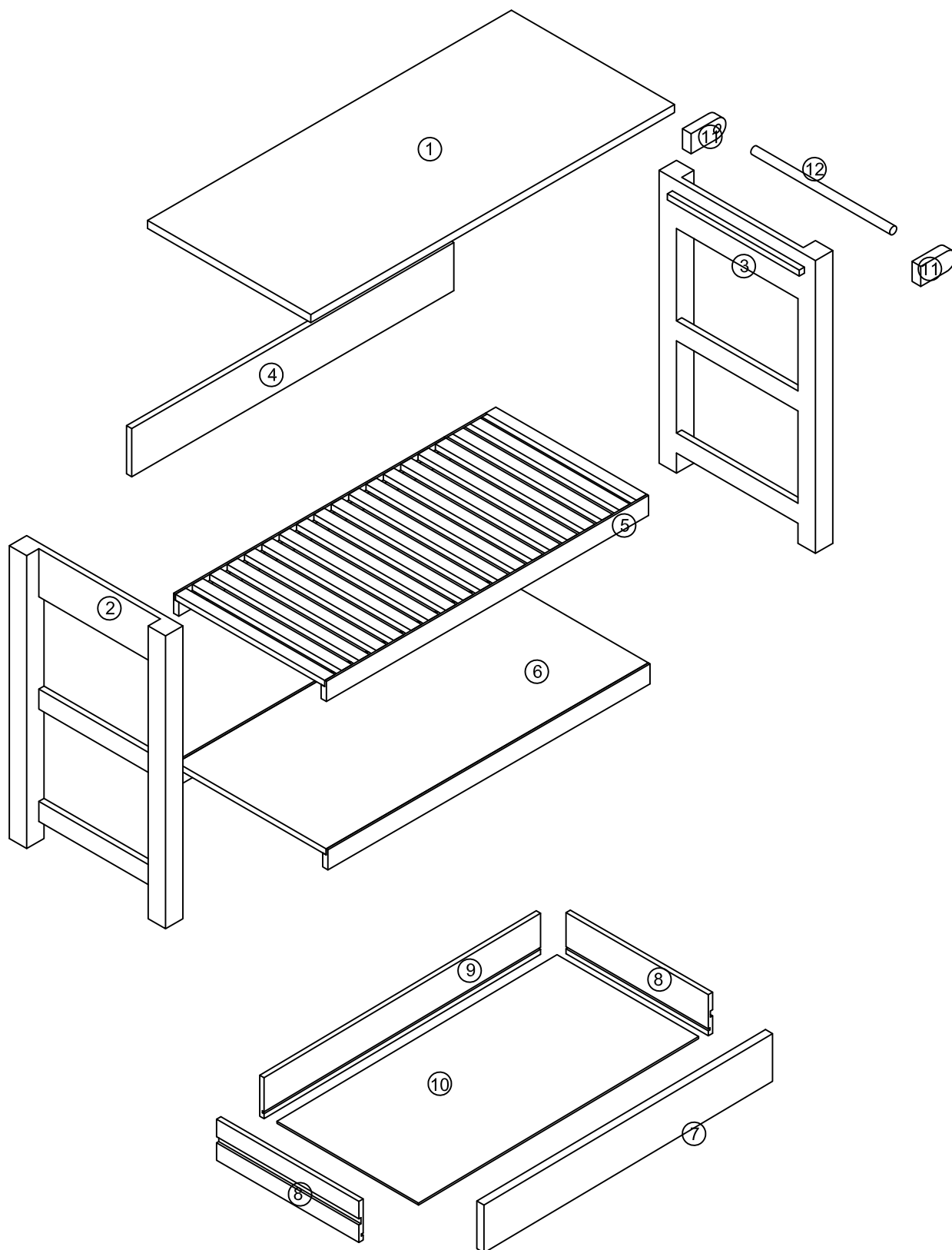
DL-DT1909B-1/W42049332

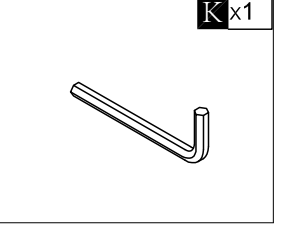
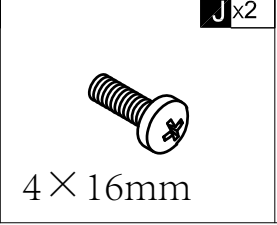
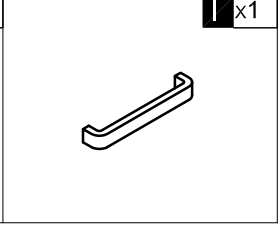
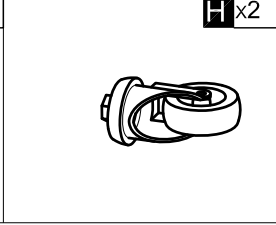
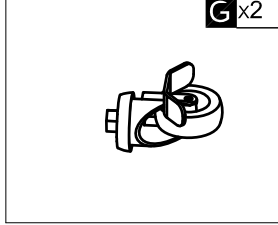
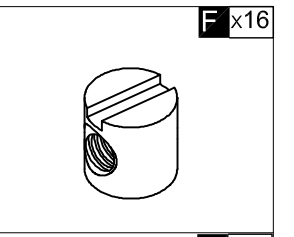
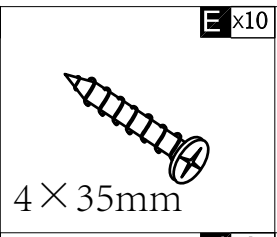
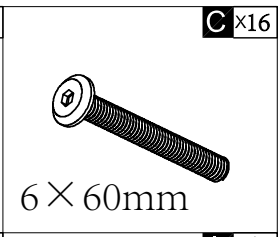
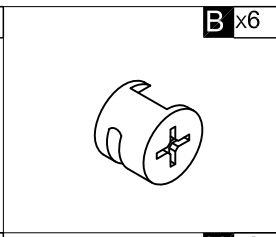
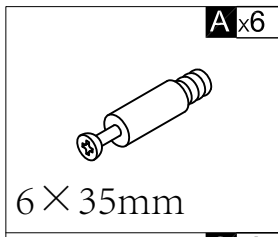
DL-DT1909W-1/W42049333



Attention please:

Improper use of screws may cause the product surface damage!  
Please be careful when installing.

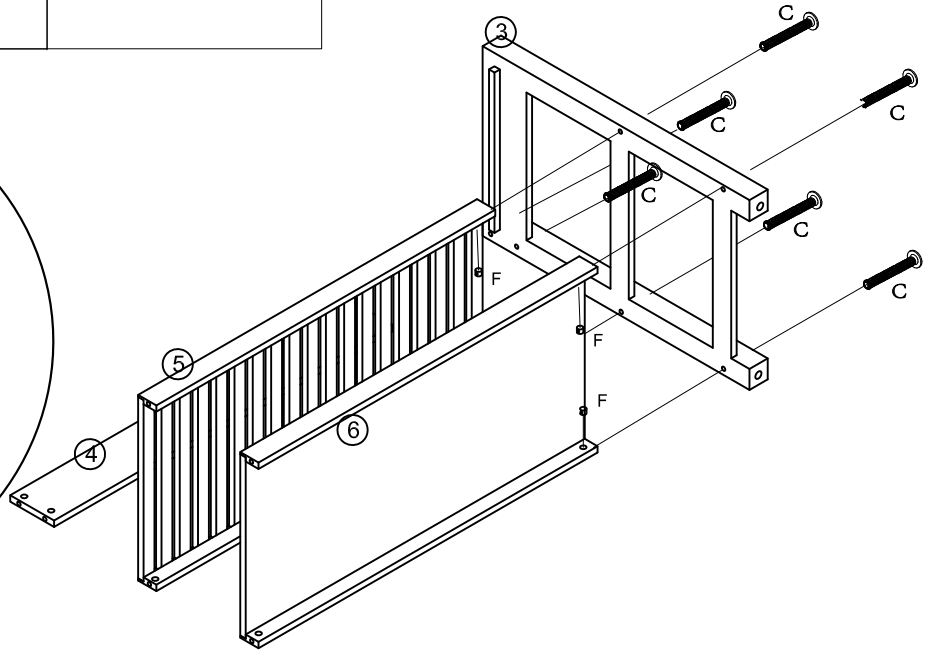
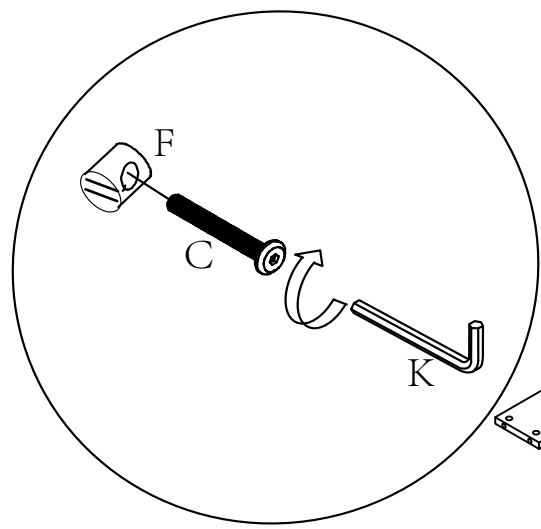
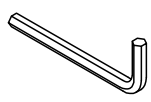
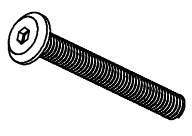




C x6

F x6

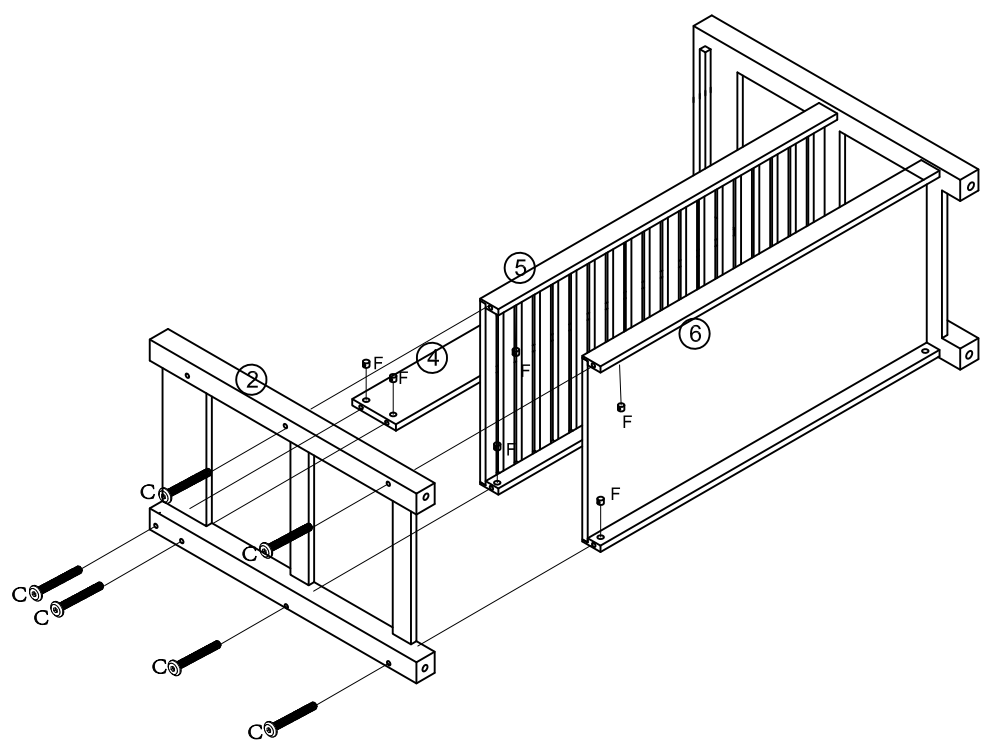
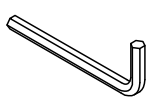
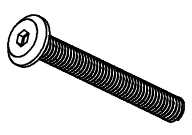
K x1



C x6

F x6

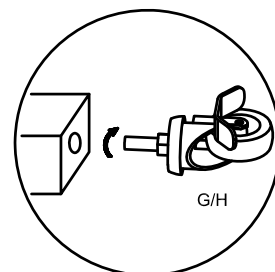
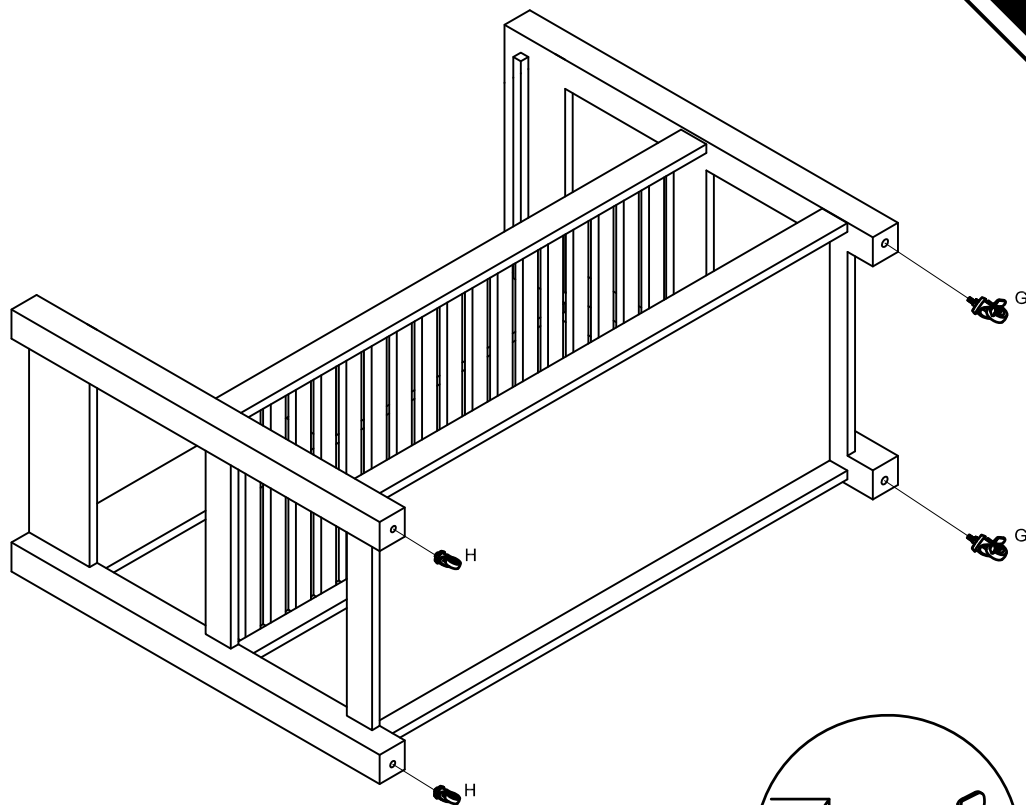
K x1



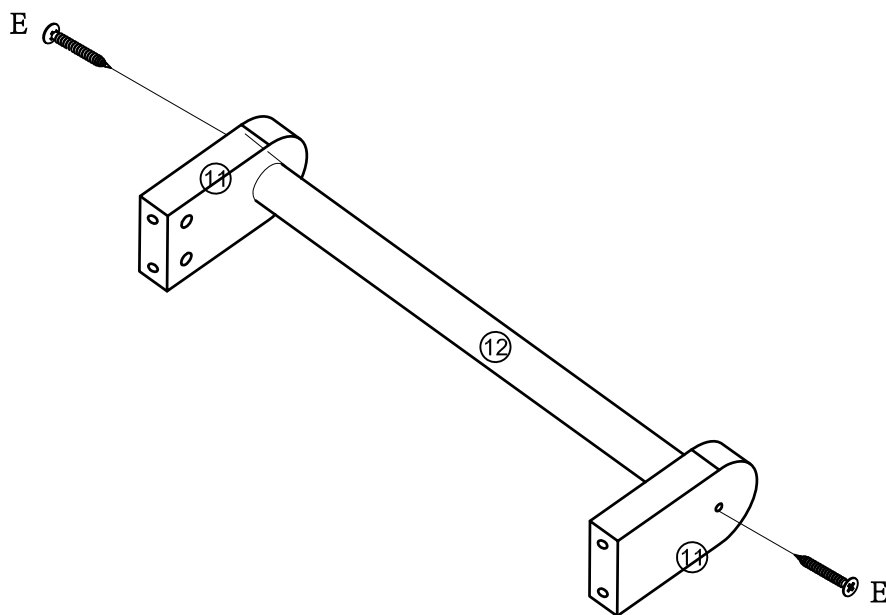
G x2



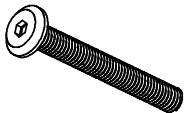
H x2



E x2



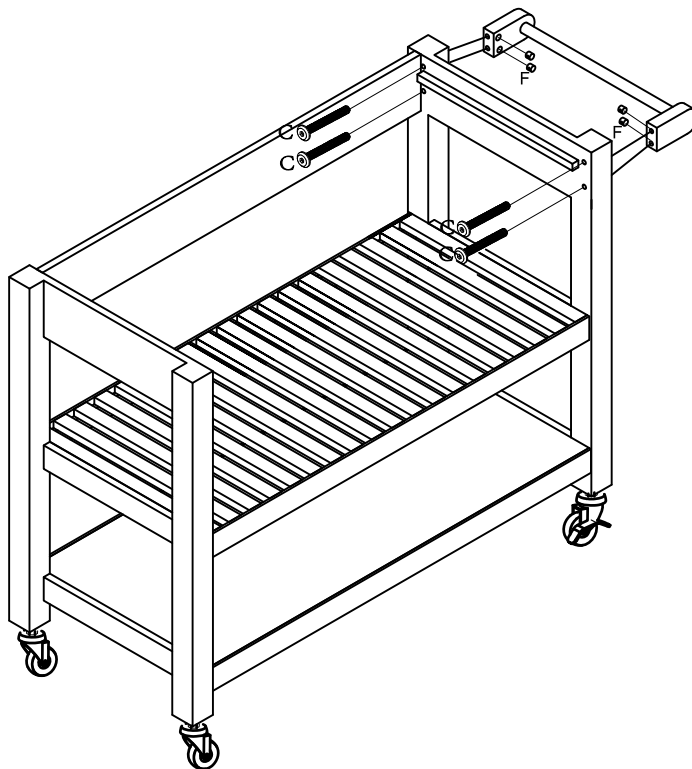
C x 4



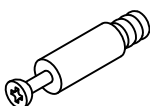
F x 4



K x 1



A x 6



B x 6

