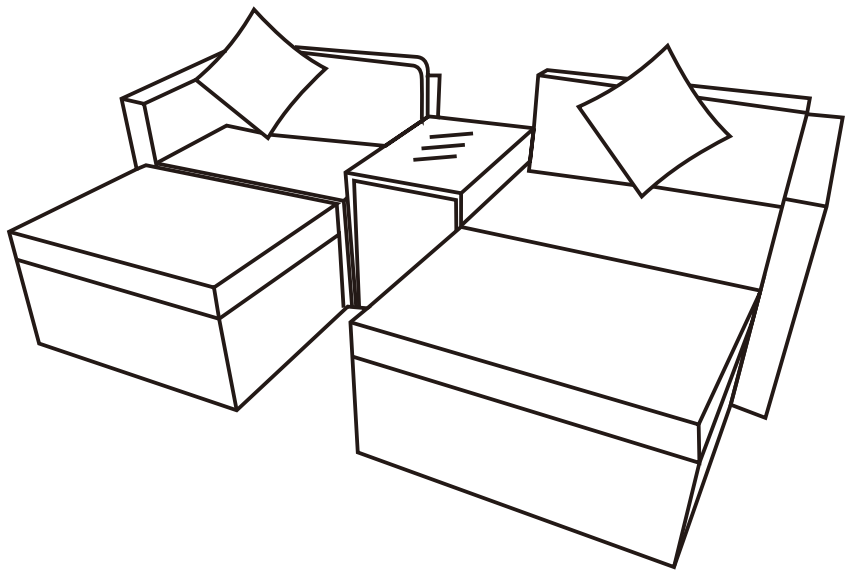










ASSEMBLY INSTRUCTION



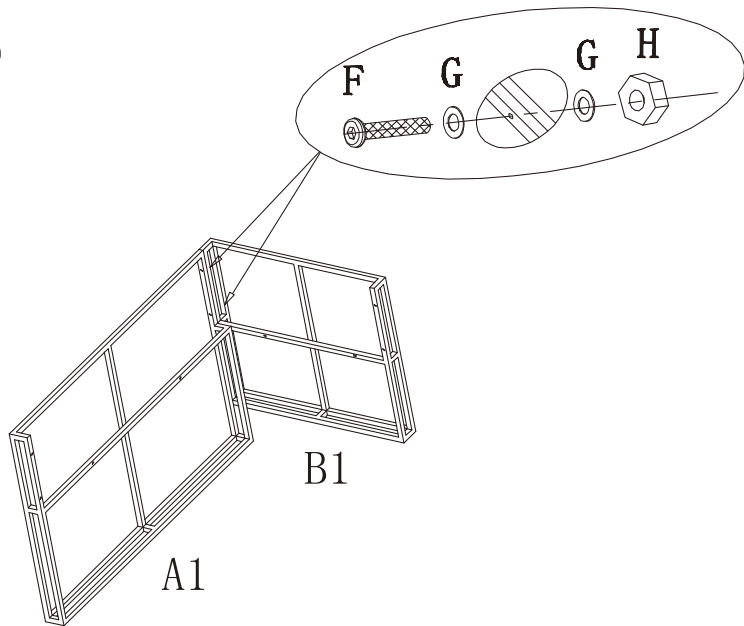
READ & SAVE THIS INSTRUCTIONS BEFORE ASSEMBLY

1. Please separate and identify all the parts, making sure you have all of the parts listed.
2. To avoid any scratch during assembly, please assemble on a soft mat or similar.
3. Please assemble step by step and follow the instruction.
4. Washers must be used.
5. Do not completely fasten each screw and nut until all the screws are properly fixed.
6. If you have a electric screw driver, you can use the electric screw driver instead of the L shape small driver we provided, the electric screw driver helps you to shorten the assembly time.

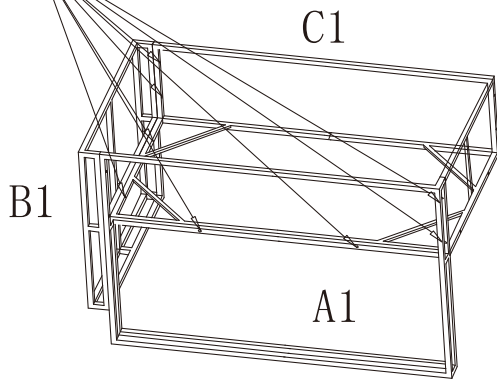
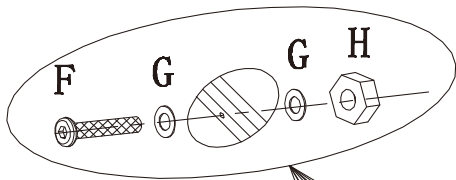
Assembly Instructions (Corner sofa-L)

A1		1PC	B1		1PC	C1		1PC
E		10PCS	F		20PCS	G		10PCS
H		1PC	I		1PC			

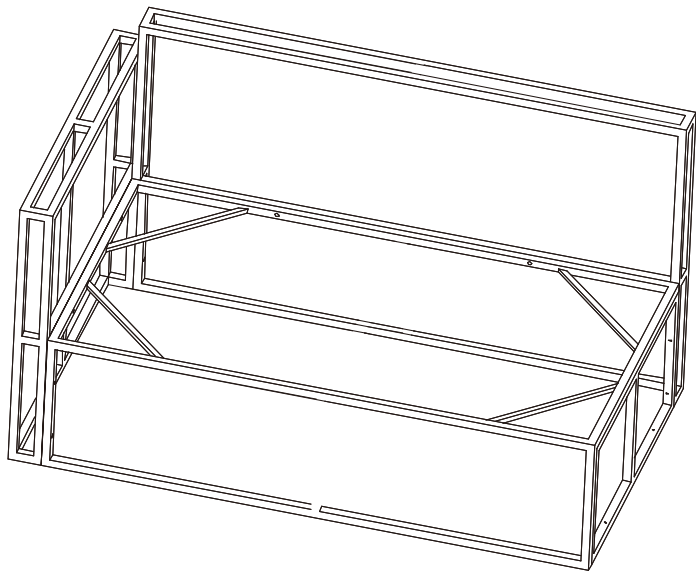
①











2



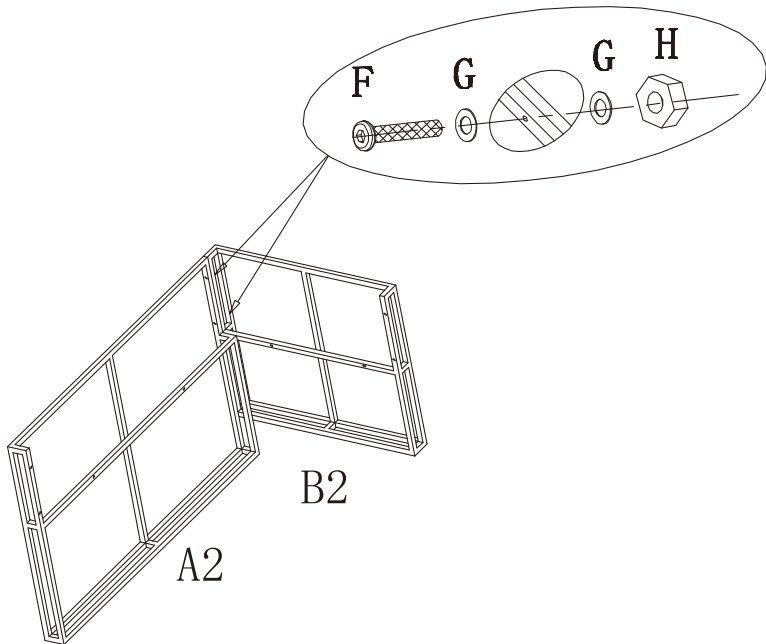
④



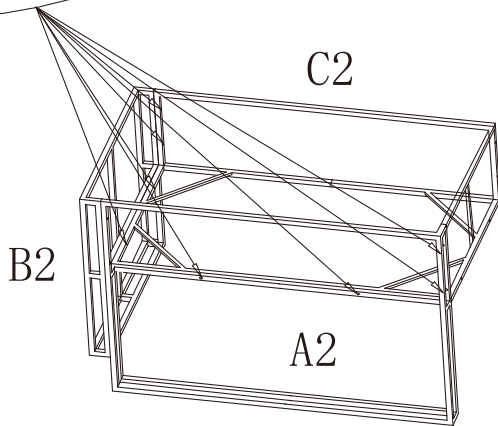
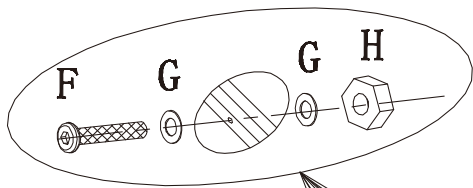
Assembly Instructions (Corner sofa-R)

A1		1PC	B1		1PC	C1		1PC
E		10PCS	F		20PCS	G		10PCS
H		1PC	I		1PC			

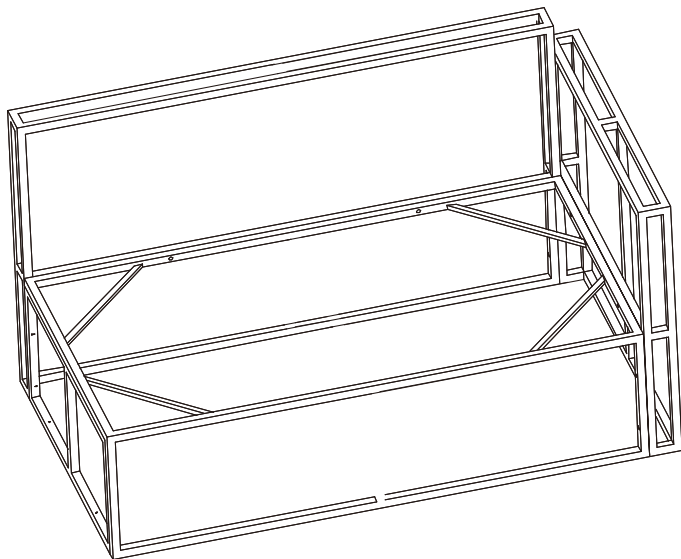
①









②



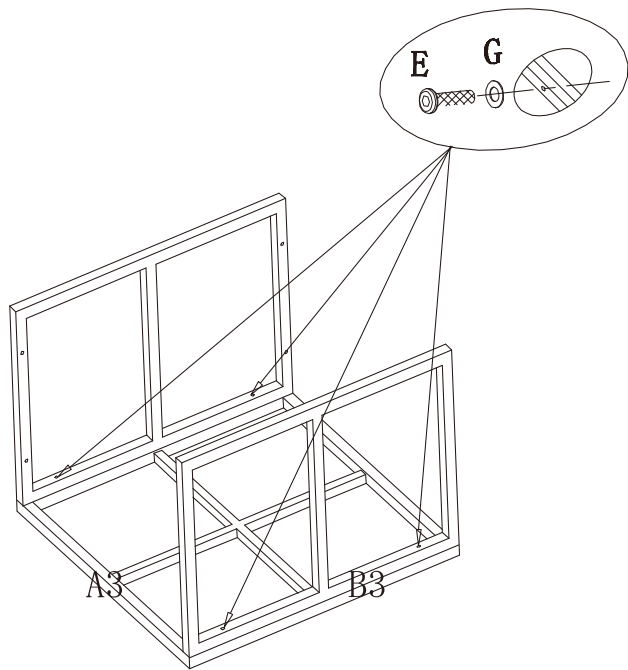
④



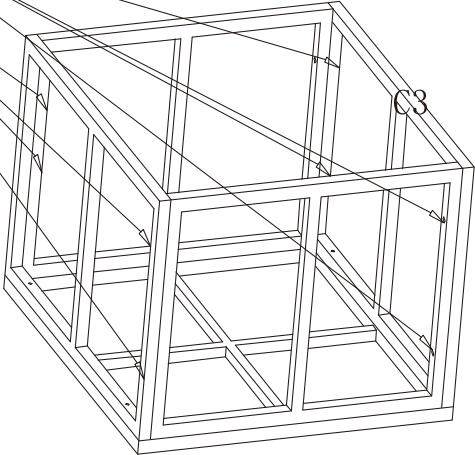
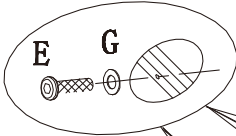
Assembly Instructions (Ottoman)

A3		1PC	B3		2PCS	C3		2PCS
E		12PCS	G		12PCS	I		1PC

①

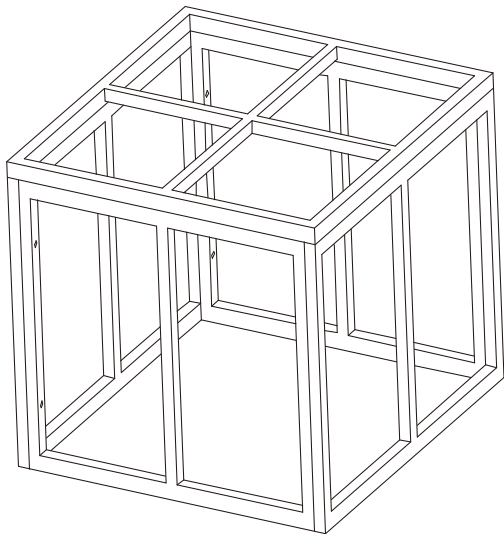


2







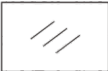


B3

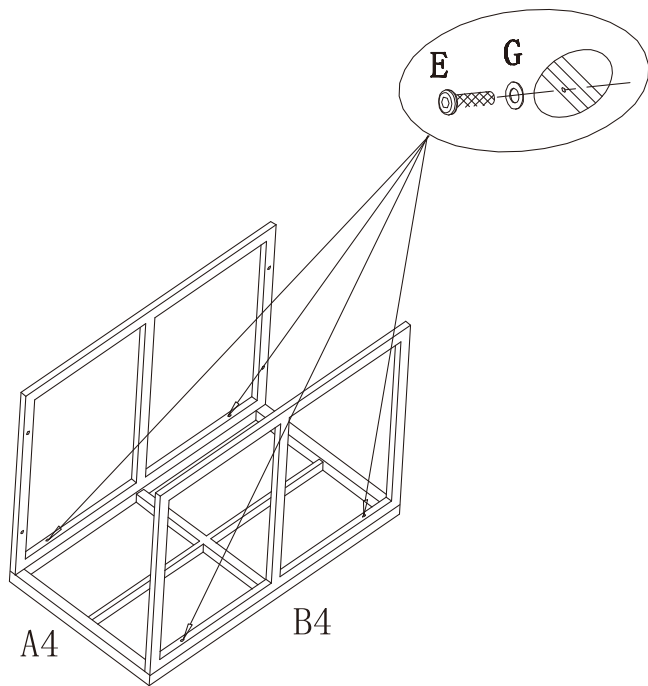
3



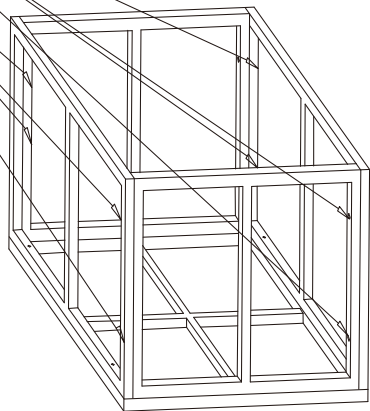
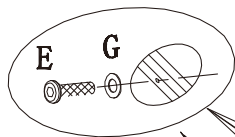
Assembly Instructions (Table)

A4		1PC	B4		2PCS	C4		2PCS
E		12PCS	G		12PCS	I		1PC
J		1PC						

①



2



C4

B4

③

