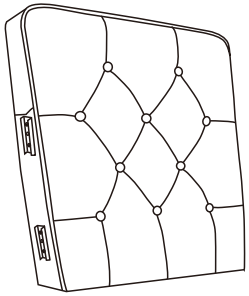
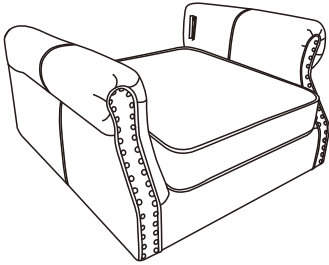


# ASSEMBLY INSTRUCTION HFSN-673

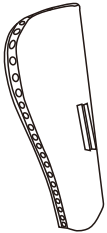
Ax1



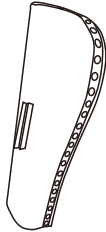
Bx1



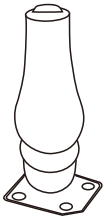
Cx1



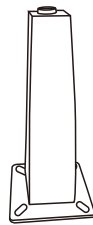
Dx1



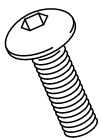
Ex2



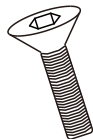
Fx2



Gx12



Hx2

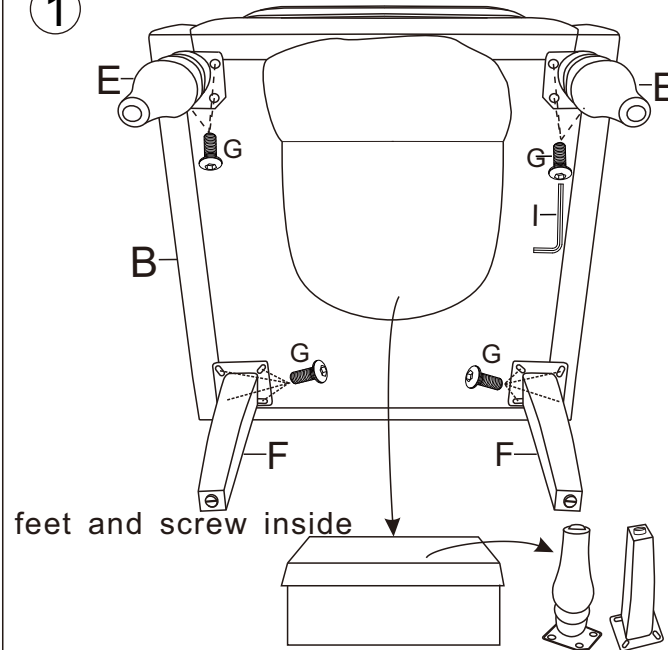


Ix1



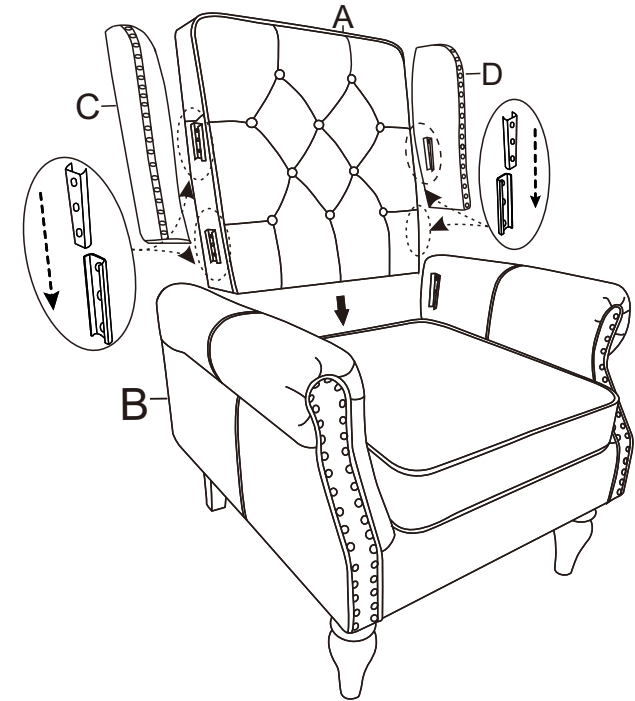
①

FRONT

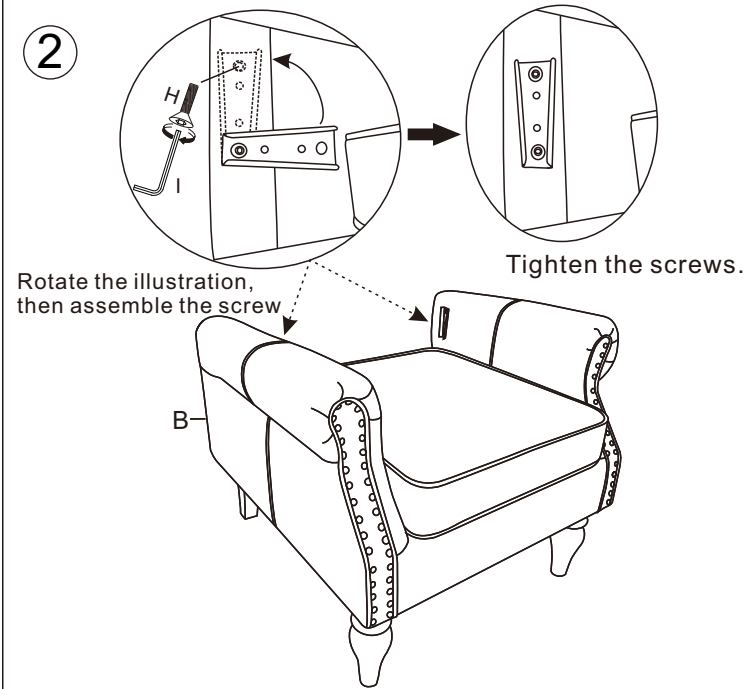


feet and screw inside

③



②



Rotate the illustration,  
then assemble the screw

Tighten the screws.

