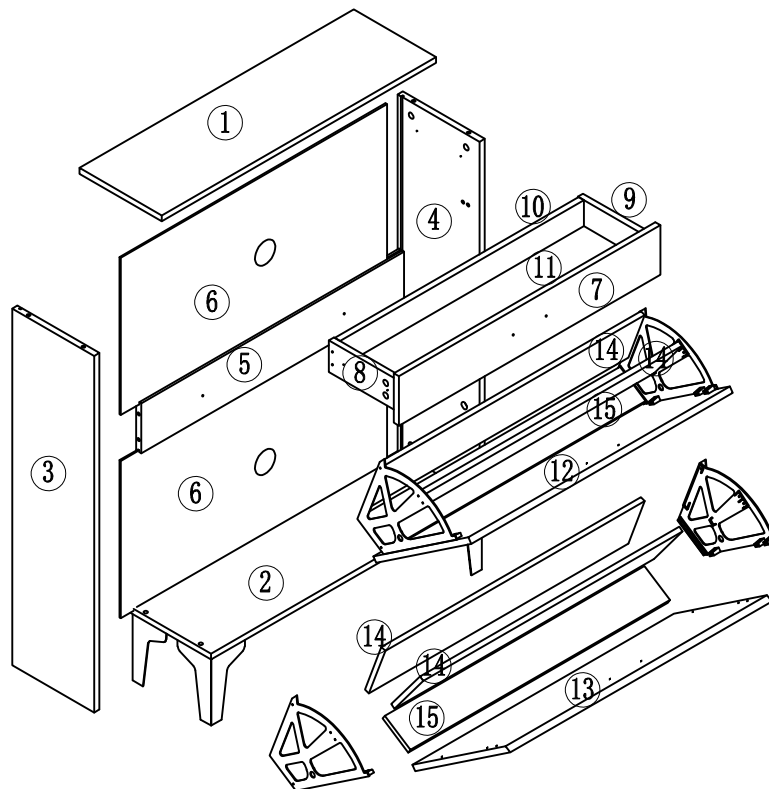
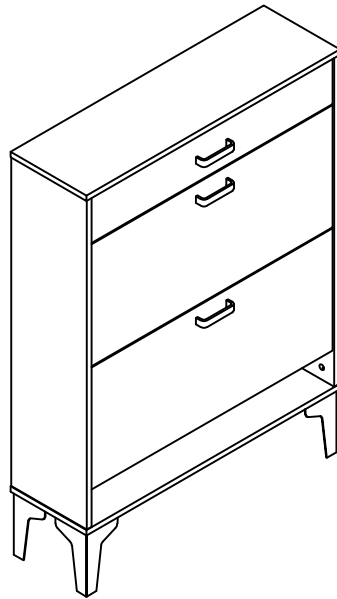


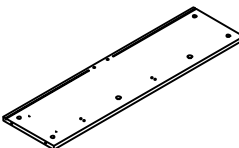
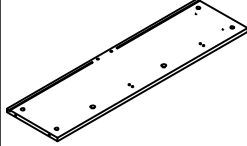
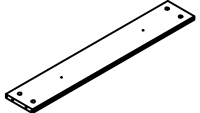
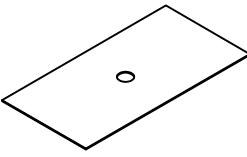
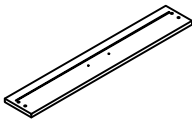
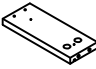
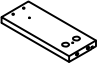

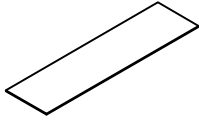
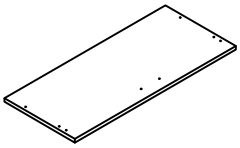
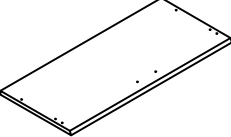
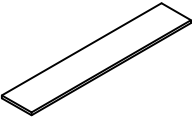
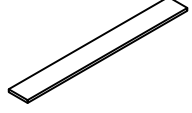


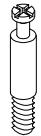

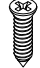



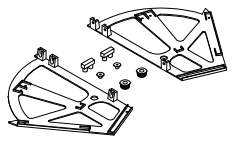
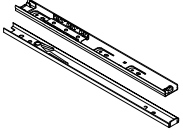
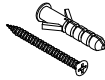


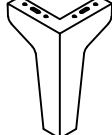
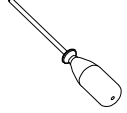
ASSEMBLY INSTRUCTIONS

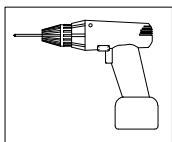


Part List

				
① x1Pcs	② x1Pcs	③ x1Pcs	④ x1Pcs	⑤ x1Pcs
				
⑥ x2Pcs	⑦ x1Pcs	⑧ x1Pcs	⑨ x1Pcs	⑩ x1Pcs
				
⑪ x1Pcs	⑫ x1Pcs	⑬ x1Pcs	⑭ x4Pcs	⑮ x2Pcs

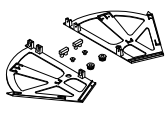
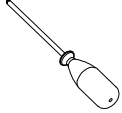

Hardware List

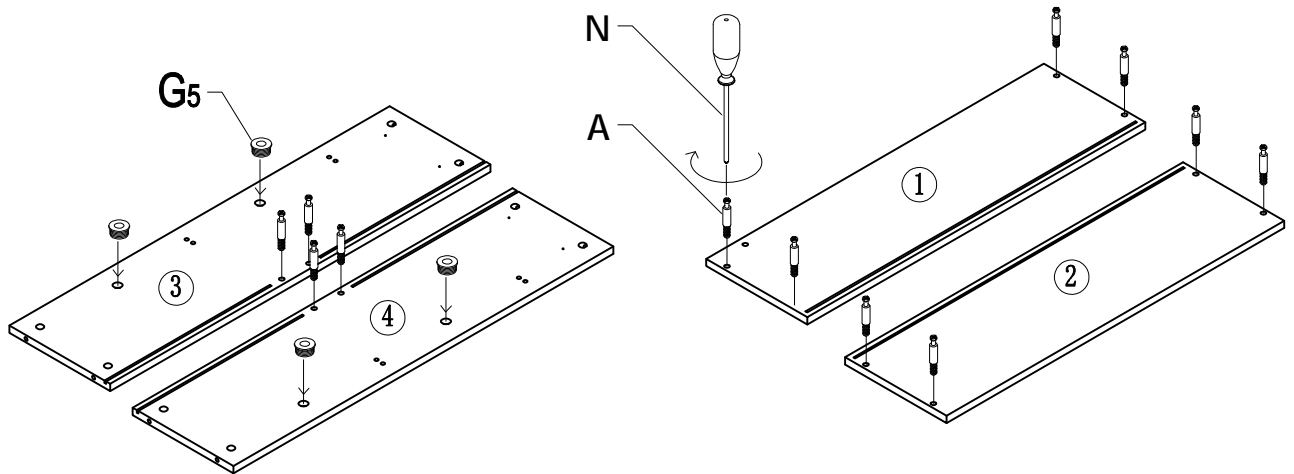
				
Ax16Pcs	Bx16Pcs	M4x14	M4x35	M4x18
				
Fx3Pcs	Gx2Pcs	Hx1Pc	Jx2Pcs	Kx2Pcs
				
Lx8Pcs	Mx4Pcs	Nx1Pc		



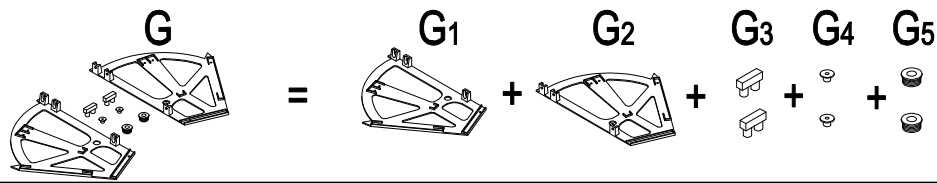
PLEASE BE CAREFUL. DO NOT DAMAGE THE HOLE POSITION WHEN YOU USE POWER TOOLS !

Step 1

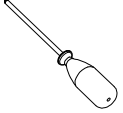
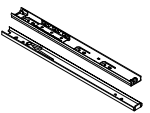

		
Gx2Pcs	Nx1Pc	Ax12Pcs

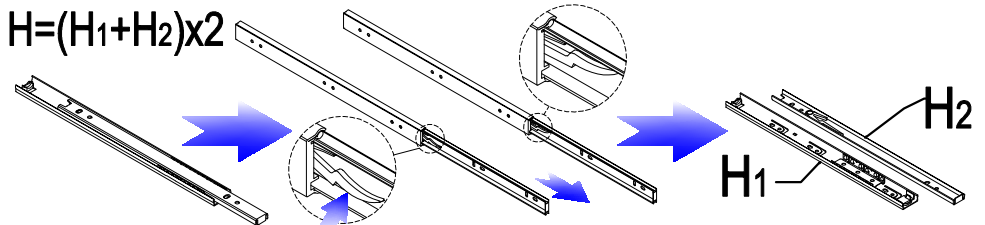
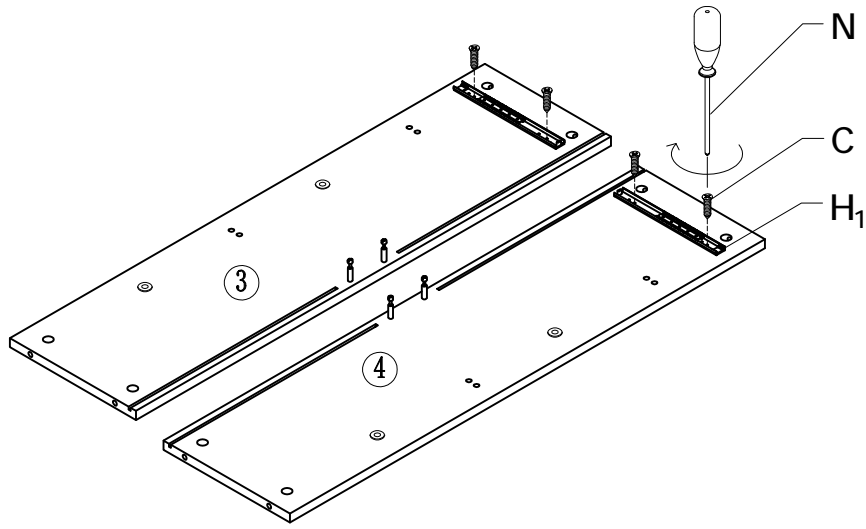


$$G = G_1 + G_2 + 2 \times (G_3 + G_4 + G_5)$$

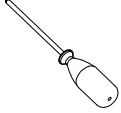



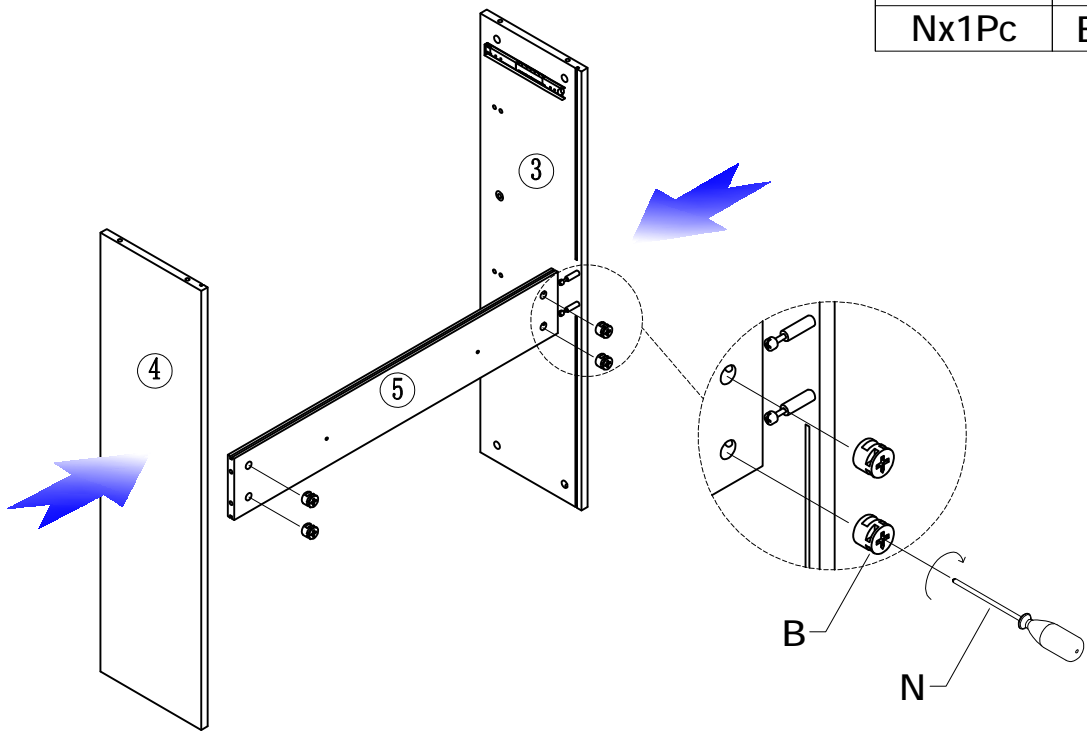
Step 2

		
Nx1Pc	Hx1Pc	Cx4Pcs

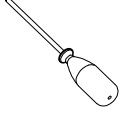



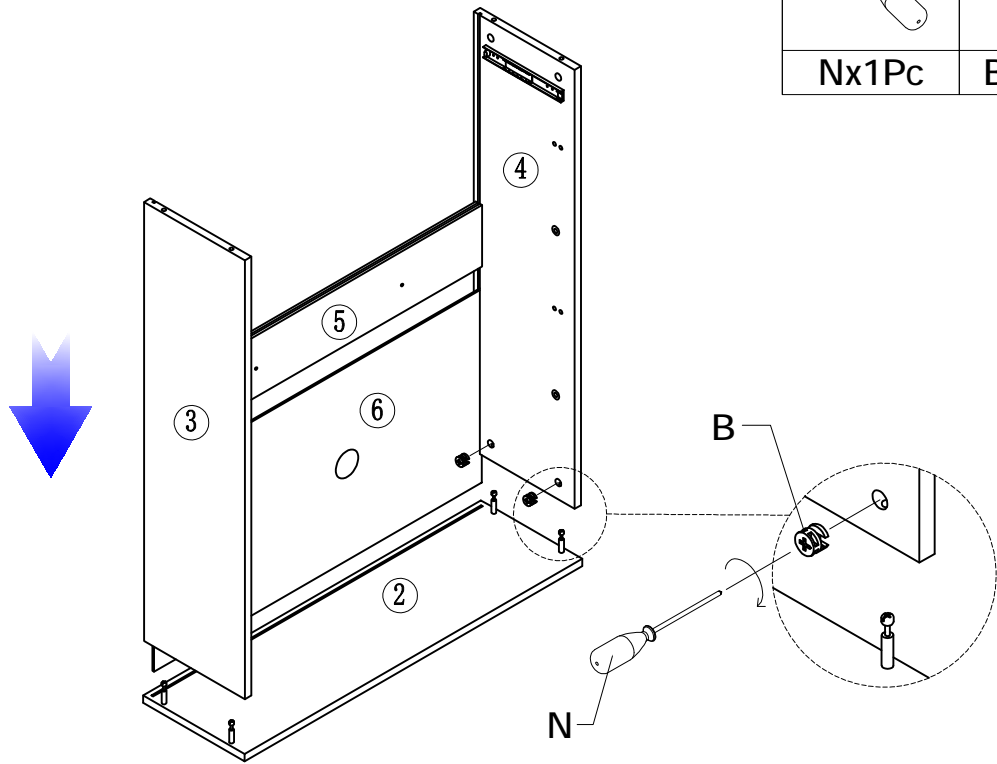
Step 3

	
Nx1Pc	Bx4Pcs

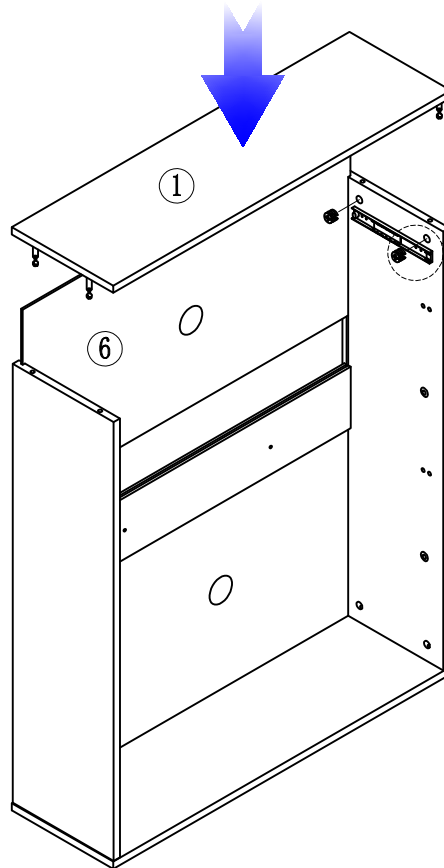



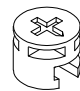
Step 4

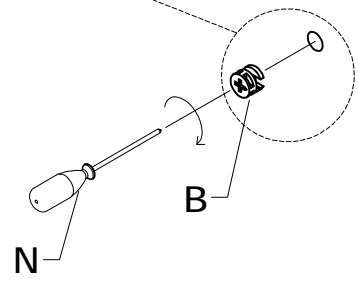
	
Nx1Pc	Bx4Pcs



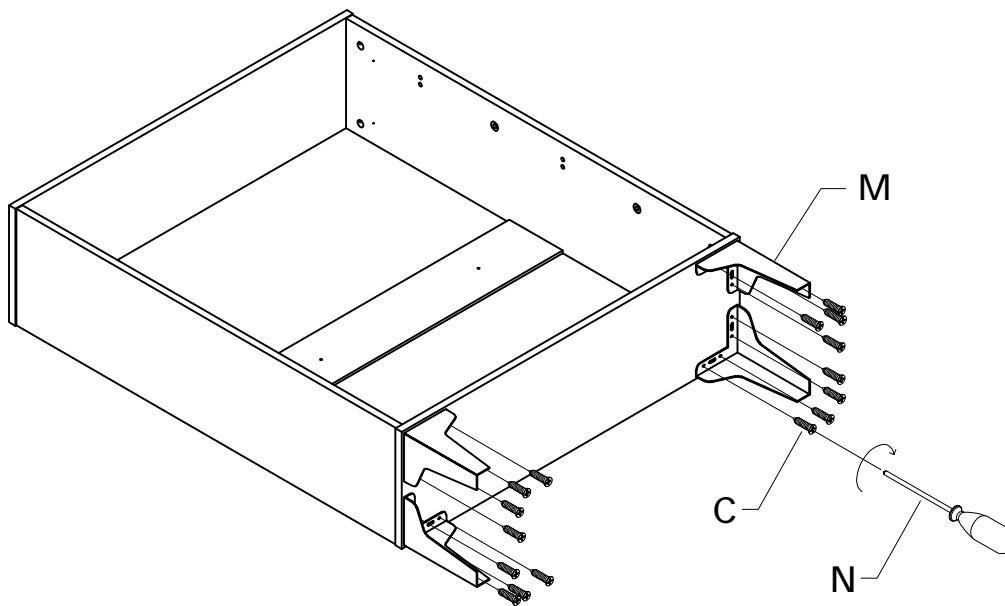
Step 5



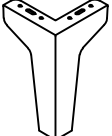


	
Nx1Pc	Bx4Pcs

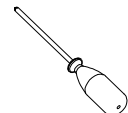
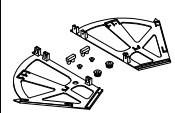



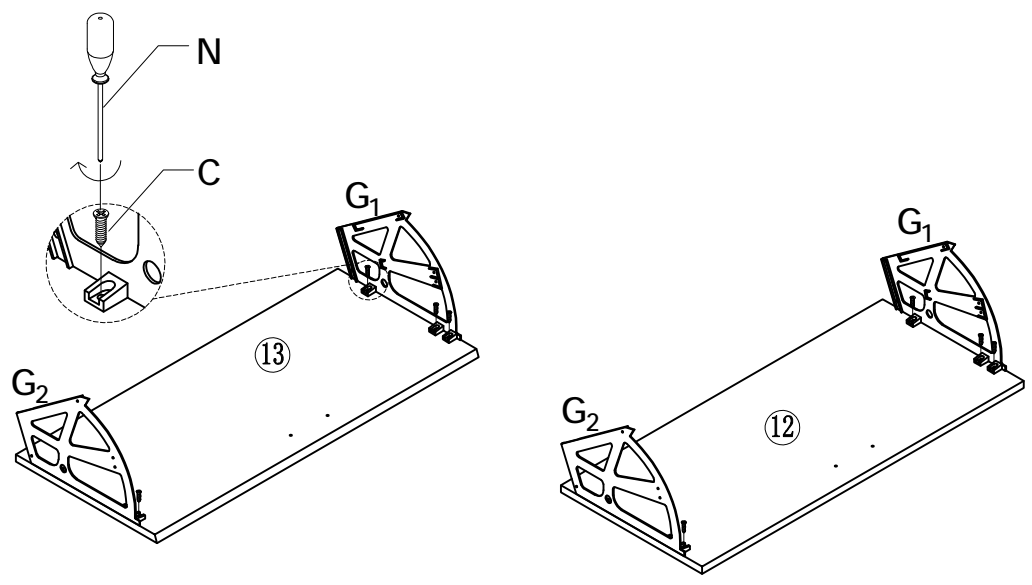
Step 6



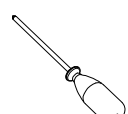



		
Nx1Pc	M4x14 Cx16Pcs	Mx4Pcs

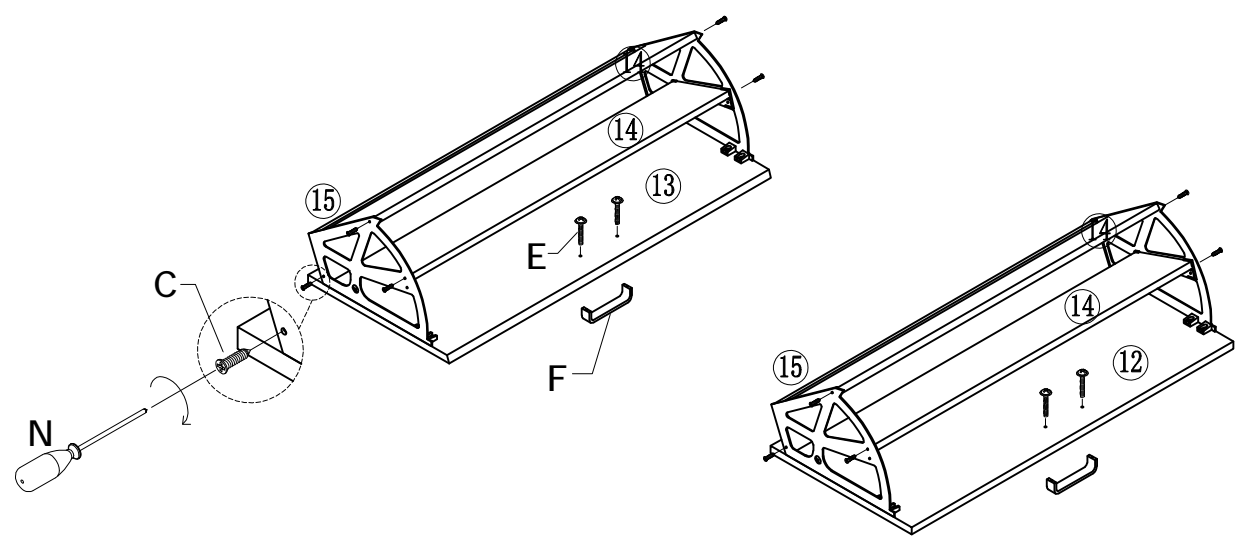
Step 7

		
Nx1Pc	Gx2Pcs	M4x14 Cx12Pcs

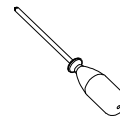


Step 8

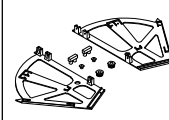
			
Nx1Pc	Fx2Pcs	M4x18 Ex4Pcs	M4x14 Cx12Pcs



Step 9



Nx1Pc

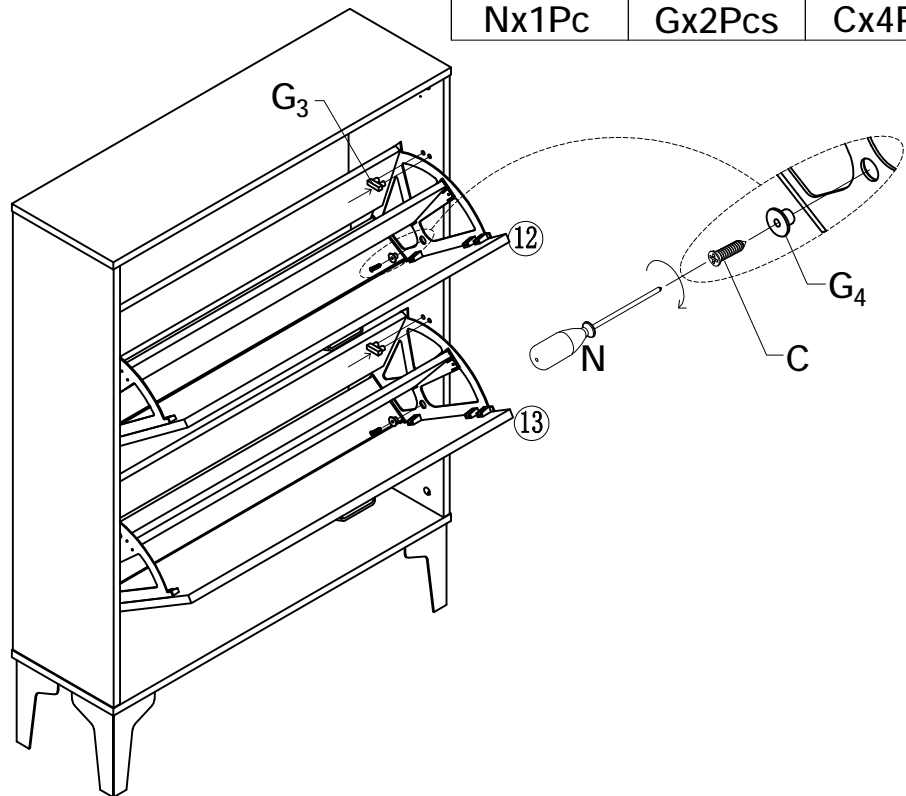


Gx2Pcs



M4x14

Cx4Pcs



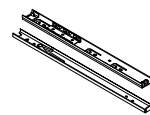
Step 10



Nx1Pc



Ax4Pcs

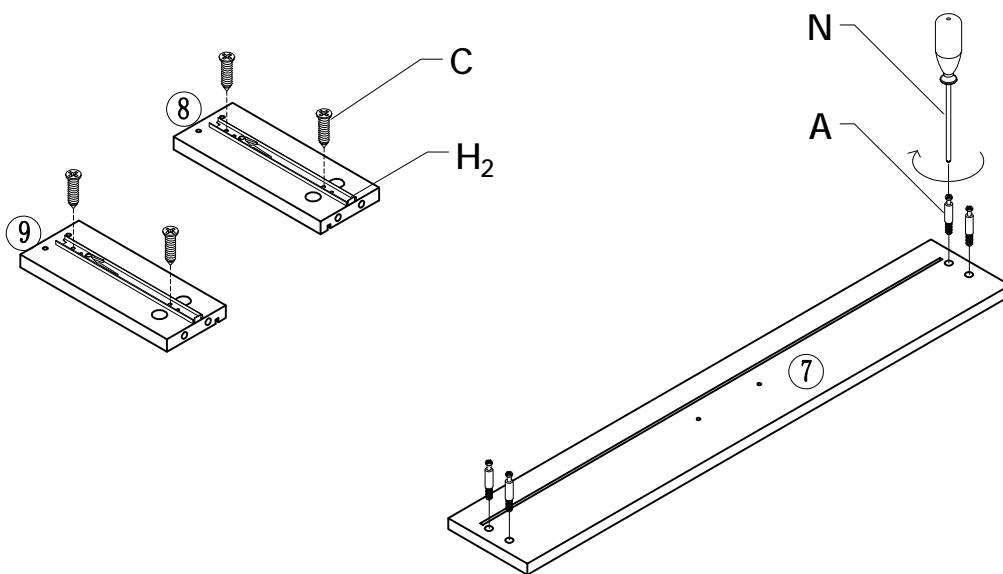


Hx1Pcs

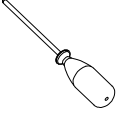







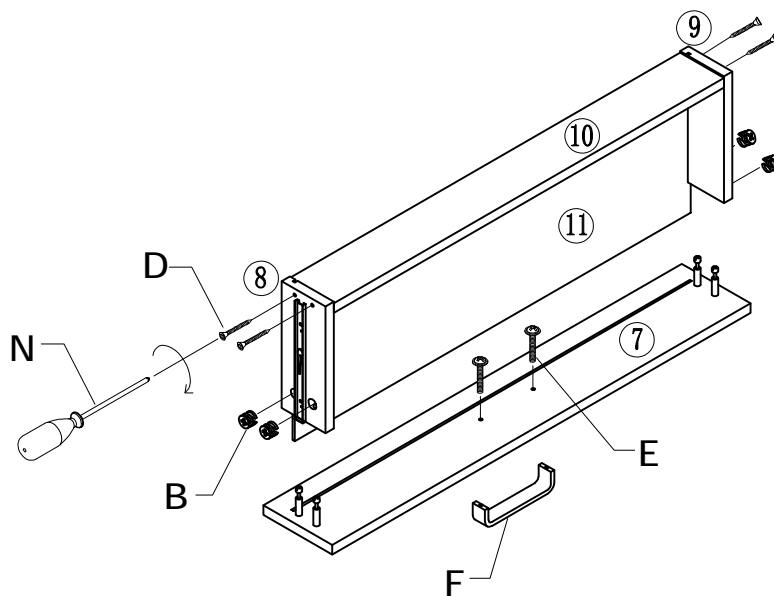
M4x14

Cx4Pcs

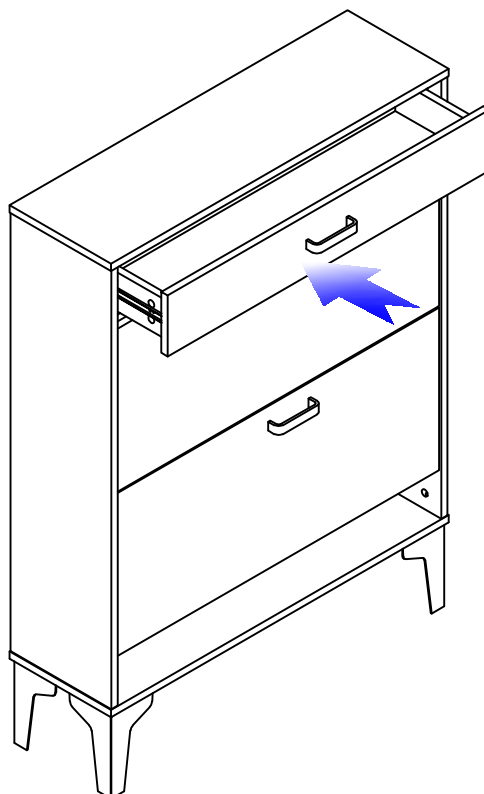


Step 11

					
Nx1Pc	Bx4Pcs	Fx1Pcs	M4x18 Ex2Pcs	M4x14 Cx4Pcs	M4x35 Dx4Pcs



Step 12



Step 13



Nx1Pc



M4x14

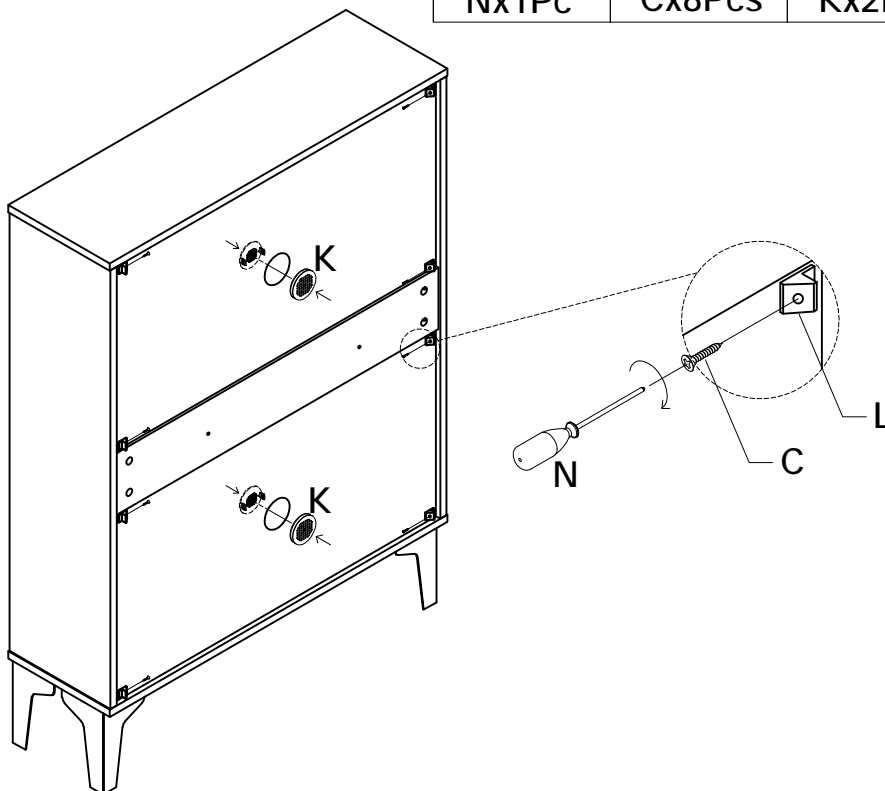
Cx8Pcs



Kx2Pcs



Lx8Pcs



Step 14



Jx2Pcs

