

# Instruction Manual

## Wooden Chandeliers



If you have any questions, please contact us directly for a faster and better solution.

## A LETTER TO MY PRECIOUS CUSTOMER

Dear Customer,  
Thanks for choosing this lamp! To save your time and effort, please try to light up the lamp before installation to ensure the sockets are working correctly. If you have any issue when you receive it, please contact us. Thank you for your support!

- Customer Support Team

## ATTENTION

1. Please check each part before installation.
2. Please turn off the power supply in your home before hard-wiring it.
3. Please use this product in a dry environment.

## QUESTION & ANSWER

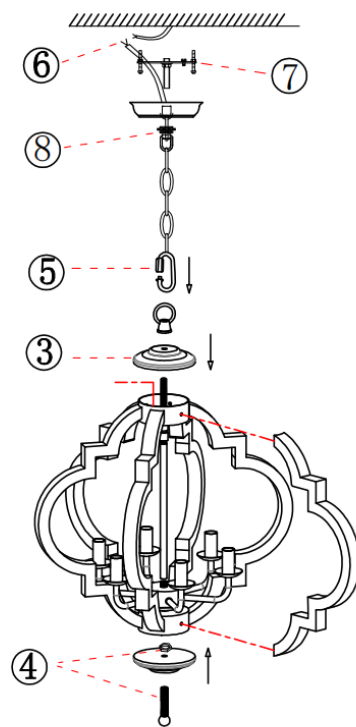
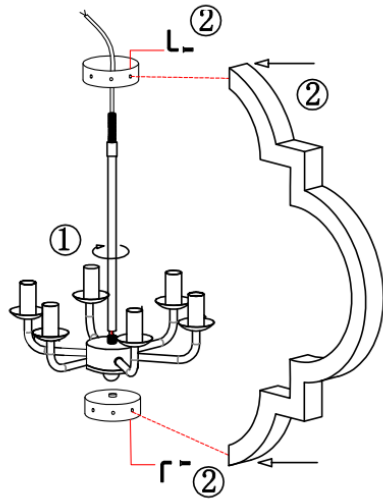
Q: After powering on, my lamp doesn't work. What should I do?

A: First, make sure your bulbs are working well. If your bulbs work, you need to check if the wires are connected incorrectly. If you can't find the reason, please contact us and we will try our best to solve it for you.

## INFORMATION AND PACKAGE

Specification		Package List	
Voltage	110- 120V	Light Fixture with Bulb Holders	1
Bulb Socket	E12 Base	Wooden Legs with Screws	6
Wattage	Max 40W x 6	Hubs	2
Bulb Type	LED/Halogen/Incandescent	Canopy & Chain	1
Certification	Bulb Socket(s) is UL Listed	Wooden Caps	2
Warranty	2 Years	Instruction & Pack of Hardware	1

## Installation Steps



## Installation Steps Description

1. Twist the pole to the light fixture.
2. ★**Unscrew the screws from the wooden legs and then use these screws to secure the legs and the upper and lower hub.**
3. Place the wood lid on the canopy and secure it with a lifting ring.
4. Pass the ball-shaped tooth rod through the piece of wood, fasten it with a nut, and screw it into the Canopy.
5. Make the cord through the chain and the canopy. And then clip the chain to the light fixture and the ring cap.
6. Connect the "L" wire to your "live" wire through the orange terminal caps and the "N" wire to your "neutral" wire, the copper wire needs to be wrapped around the green screw or connect to your earth wire.
7. Attach the metal bracket to your junction box with Phillips head screws. (Anchor screws are only useful for those customers who do not have a junction box).
8. Use the ring cap to fix the light fixture with the metal bracket.