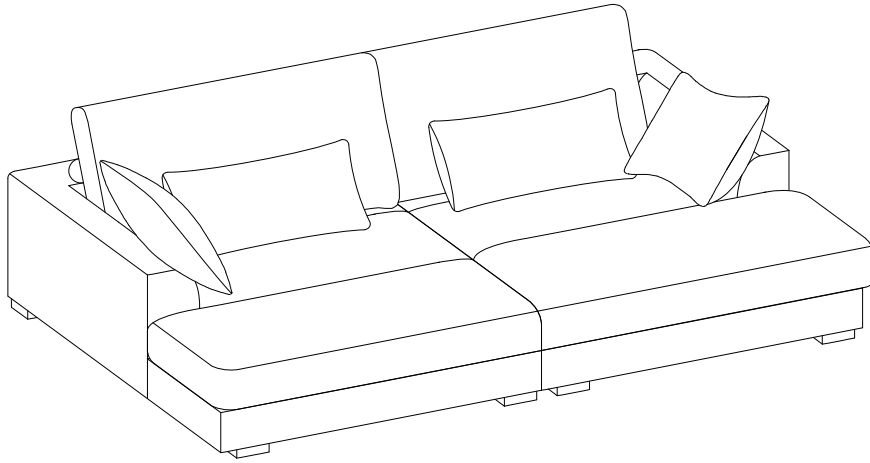
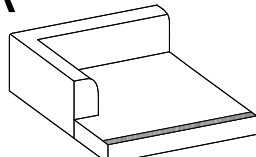
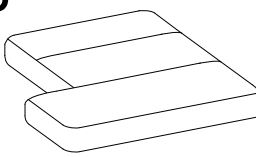
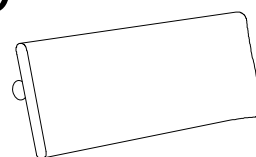
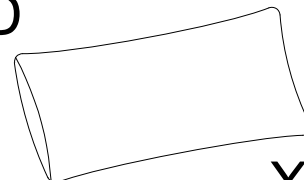
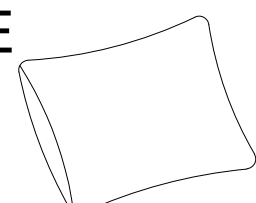
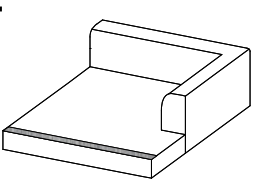
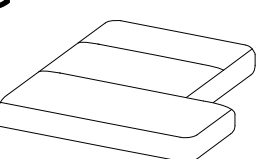
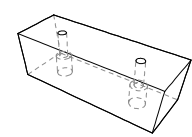
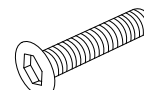
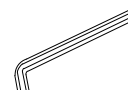


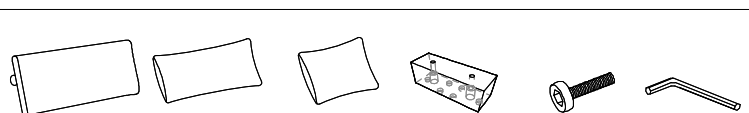
ASSEMBLY INSTRUCTION

MODEL NO. : NC1586

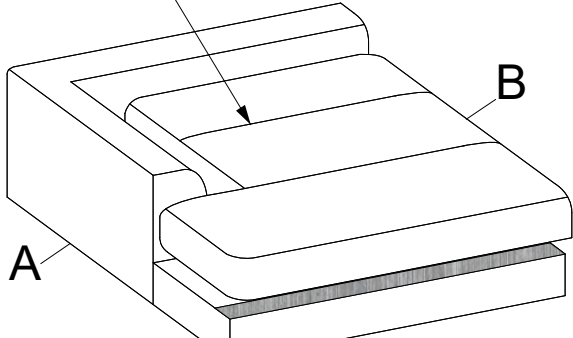


A  X1	B  X1	C  X2	D  X2
E  X2	F  X1	G  X1	H  X8
I  X16	J  X2		

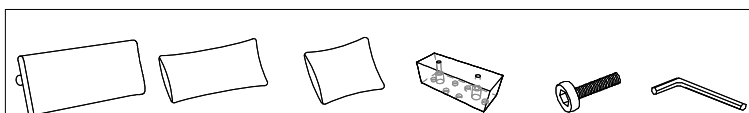
STEP 1:
Packing Details 1-2



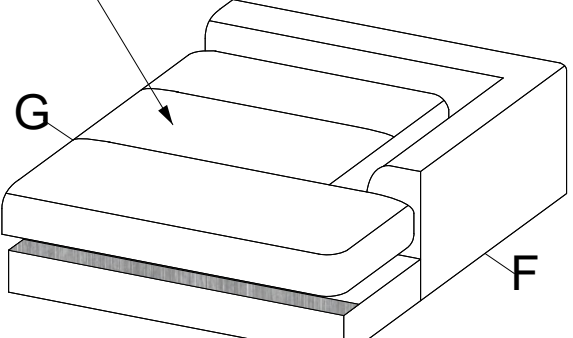
CX1 DX1 EX1 HX4 IX8 JX1



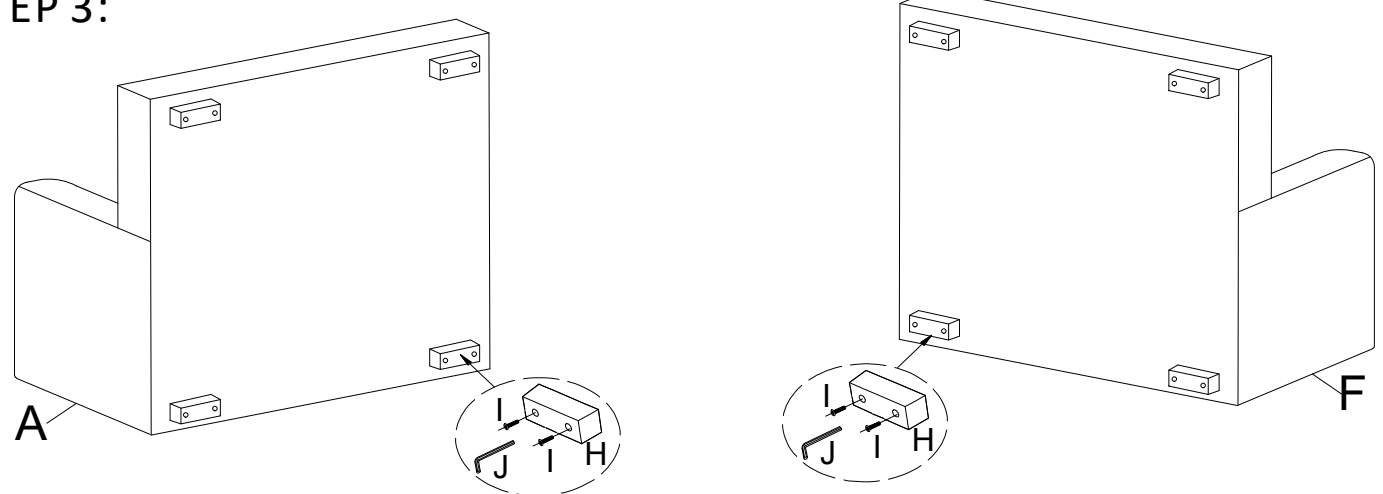
STEP 2:
Packing Details 2-2



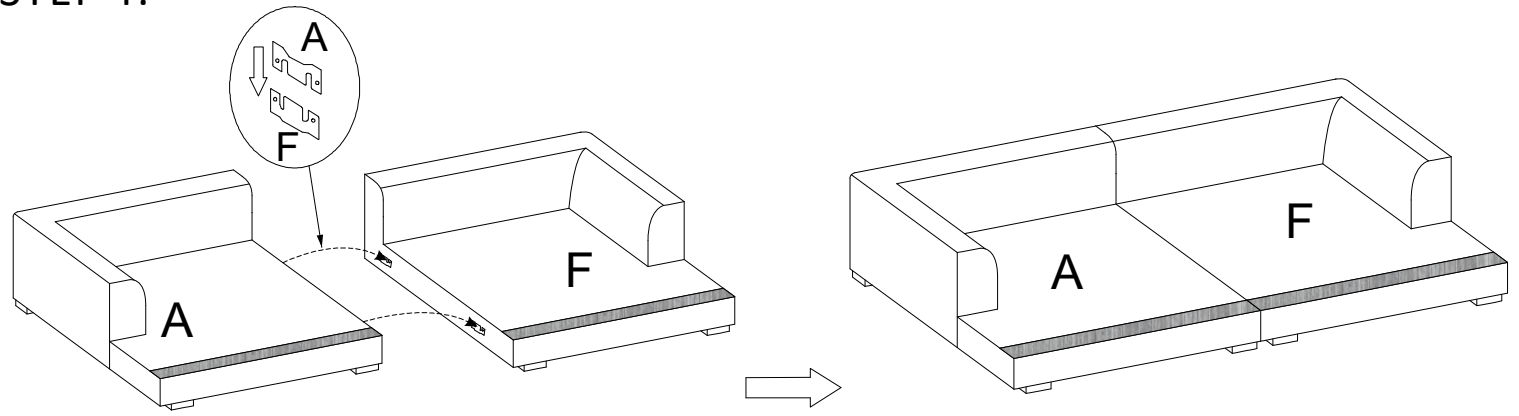
CX1 DX1 EX1 HX4 IX8 JX1



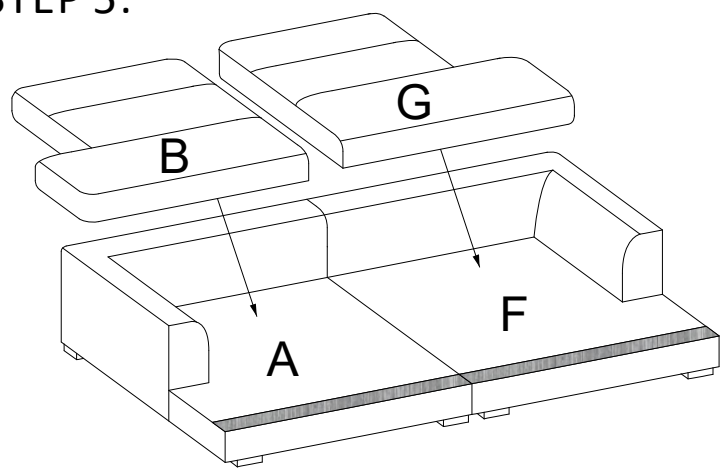
STEP 3:



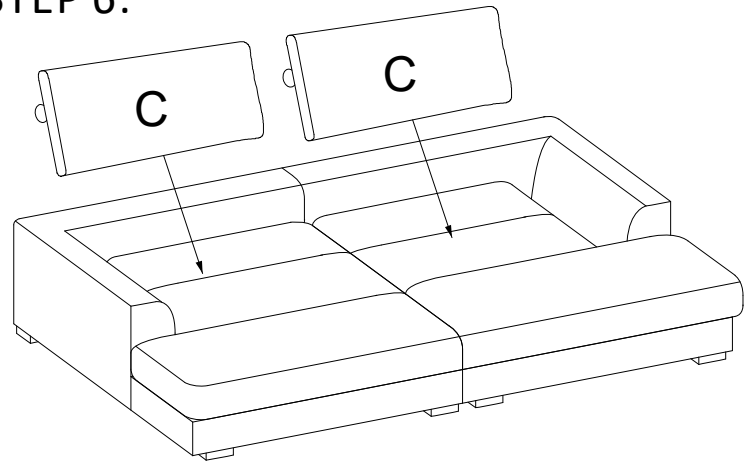
STEP 4:



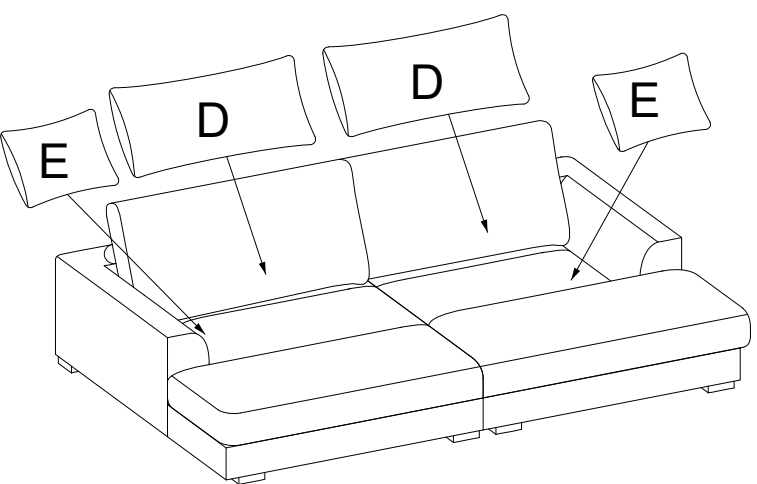
STEP 5:



STEP 6:



STEP 7:



STEP 8:

