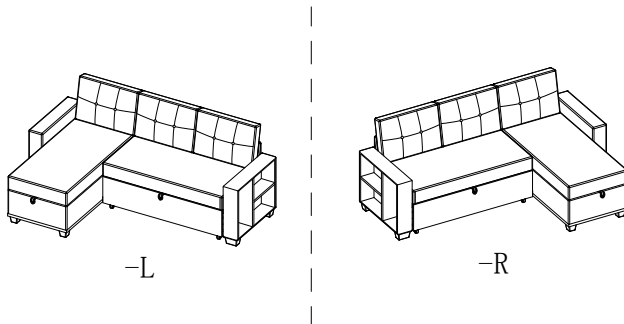


Assembly Instructions

Item: SECTIONAL SOFA

SKU : W2336S00015/16/17



1. Important Safeguards



Read these instructions carefully and retain them for future use. If this product is passed to a third party, then these instructions must be included.

When using the product, basic safety precautions should always be followed to reduce the risk of injury including the following:

⚠ CAUTION Risk of injury!

- Product can tip over! Do not let children climb on or play with the product.
- Always use the product on a firm, level ground.
- Do not stand on the product or use it as a step ladder.
- Periodically check to see that all bolts, screws and knobs are firmly screwed. Tighten them if any are loose.
- Stop using the product at first sign of damage or if parts become detached.
- Keep the fire or all sharp objects away from the product.

2. Before First Use

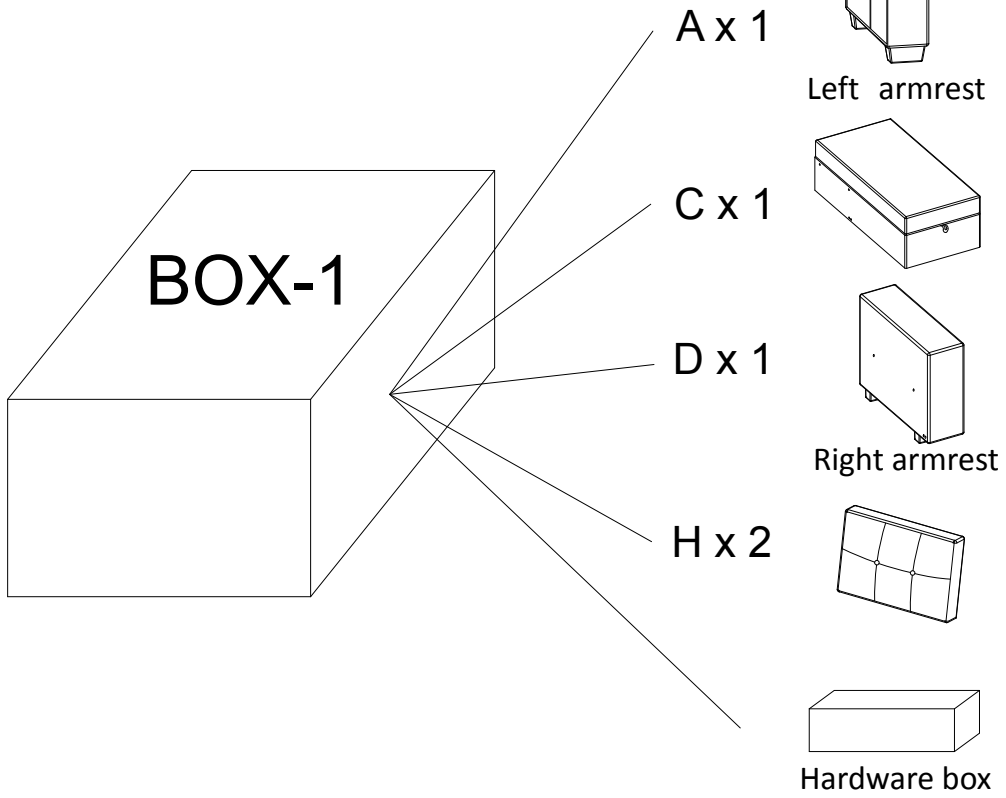
⚠ DANGER Risk of suffocation!

- Keep any packaging materials away from children and pets - these materials are potential source of danger, e.g. Suffocation.
- Check the product for transport damages. Unpack all hardware bags and components to ensure you have all parts before assembly.
- Assemble product on a clean non-marring surface. Remove all the packing materials.

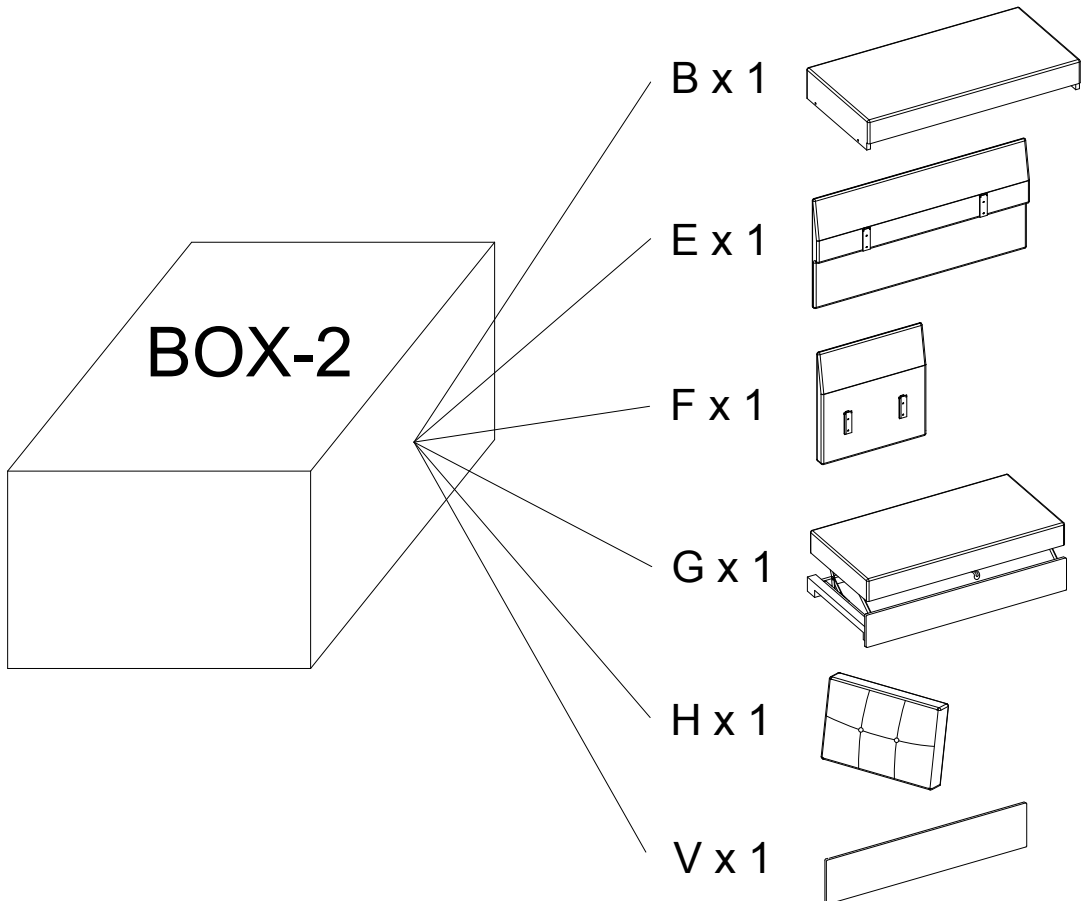
3. Cleaning and Maintenance

- Clean spills immediately by using a soft, clean, lint-free cloth to prevent staining.
- Never use harsh chemicals or solvents on your product as this may damage the product.
- Marks and stains are difficult to remove, we recommend you consult a professional. If you use a professional product, pretest it in an inconspicuous area for any signs of discoloration or shrinking.

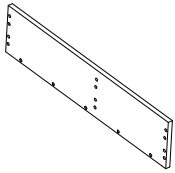
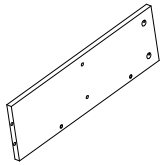
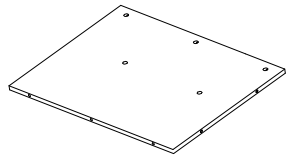
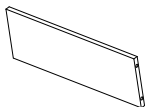
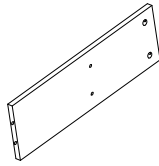
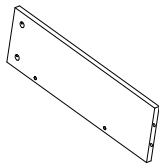
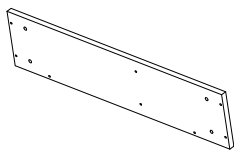
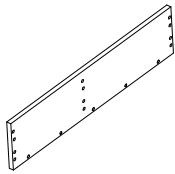
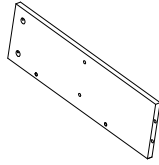
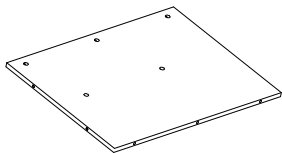
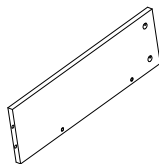
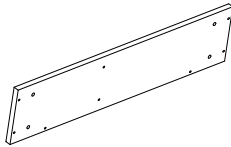
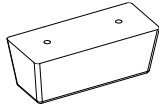
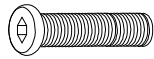
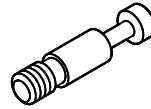

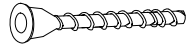
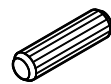
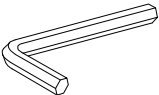
BOX -1
PARTS LIST



BOX -2
PARTS LIST



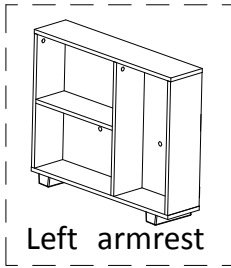
There are two sets of hardware:
This hardware corresponds to sofa armrest.

AA x 1 	BB x 1 	CC x 1 
DD x 2 	EE x 2 	FF x 1 
GG x 1 	HH x 1 	II x 1 
JJ x 1 	KK x 1 	LL x 1 
MM x 4 	H1 x 8  M6*40mm	H2 x 18  M6
H3 x 18 	H4 x 18 	H5 x 48 
H6 x 1 		



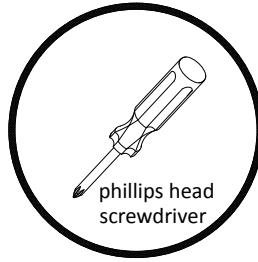
NOTE:

**Suggest to assemble the product by 2 or more people.
Do not tighten screws before all product parts be together.**



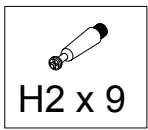
Left armrest

tools needed by yourself

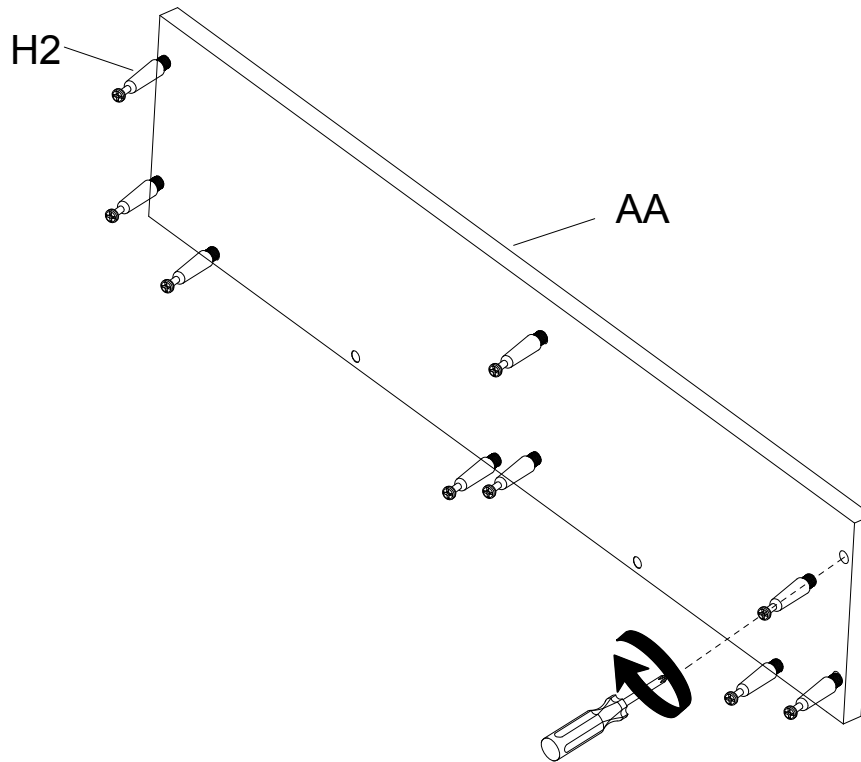


phillips head
screwdriver

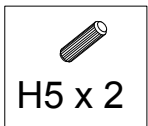
1



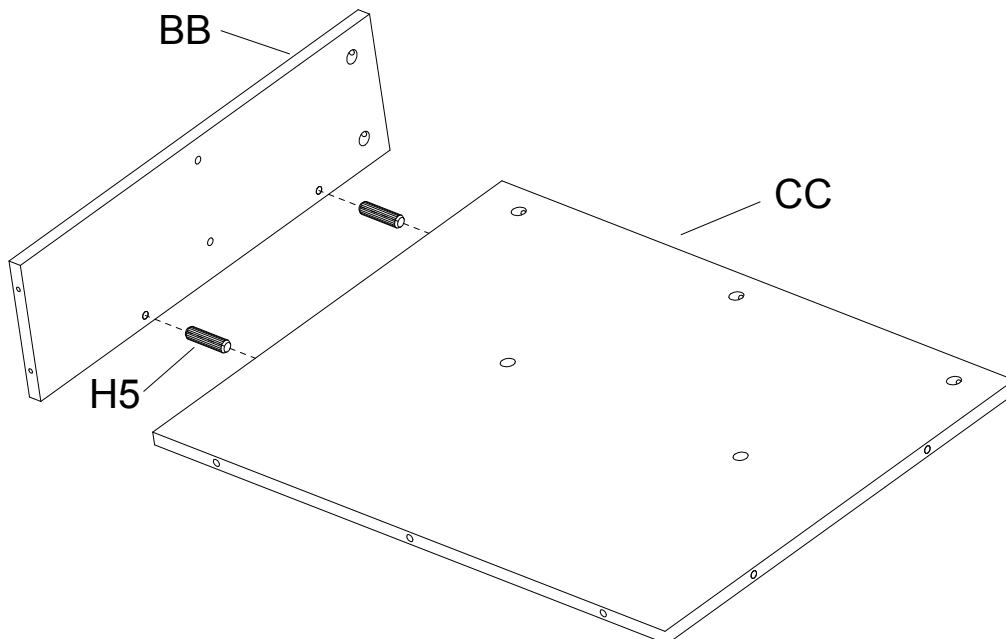
H2 x 9



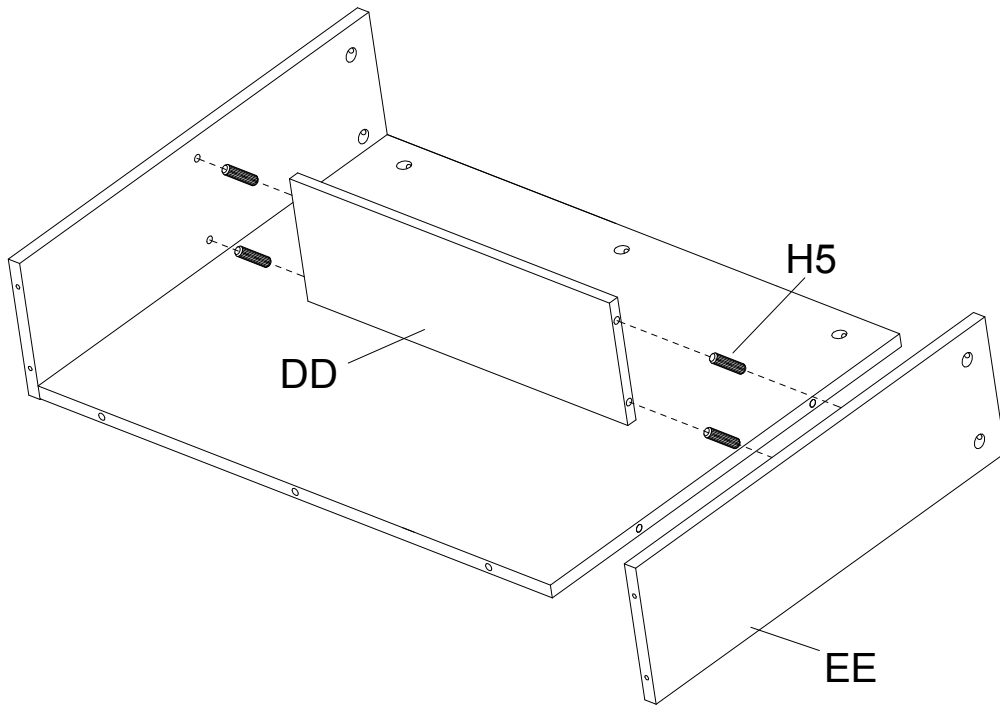
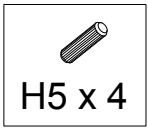
2



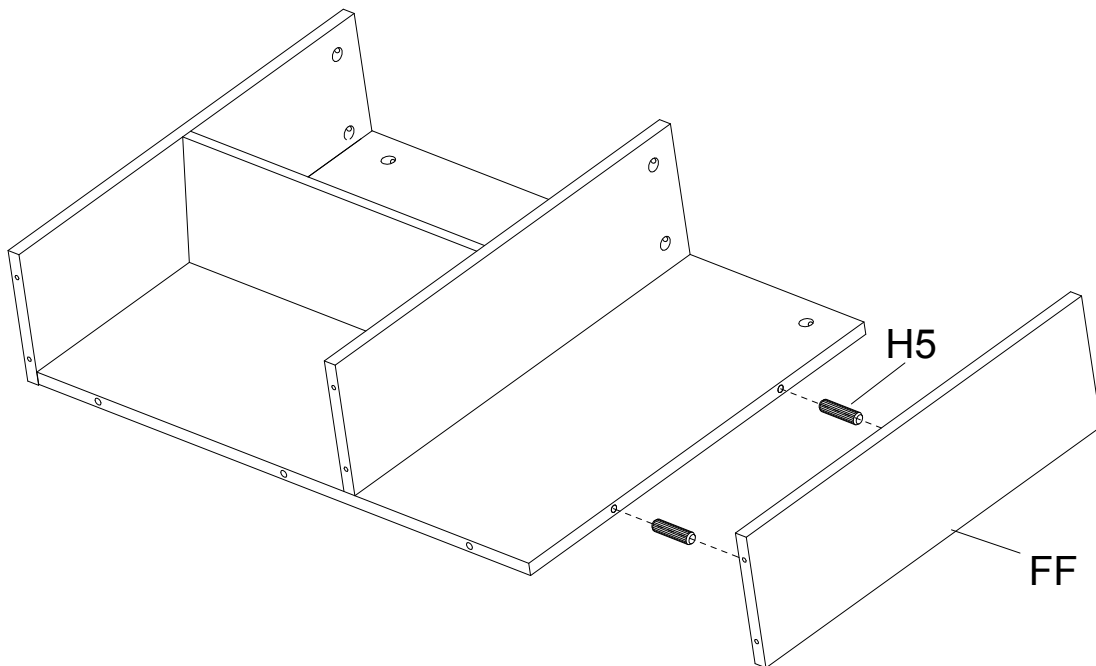
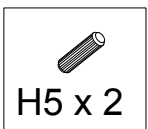
H5 x 2



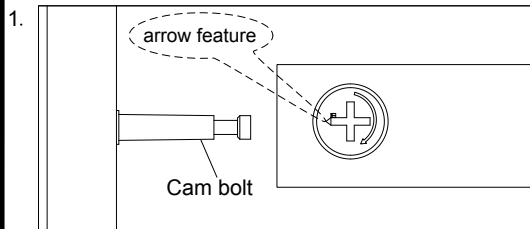
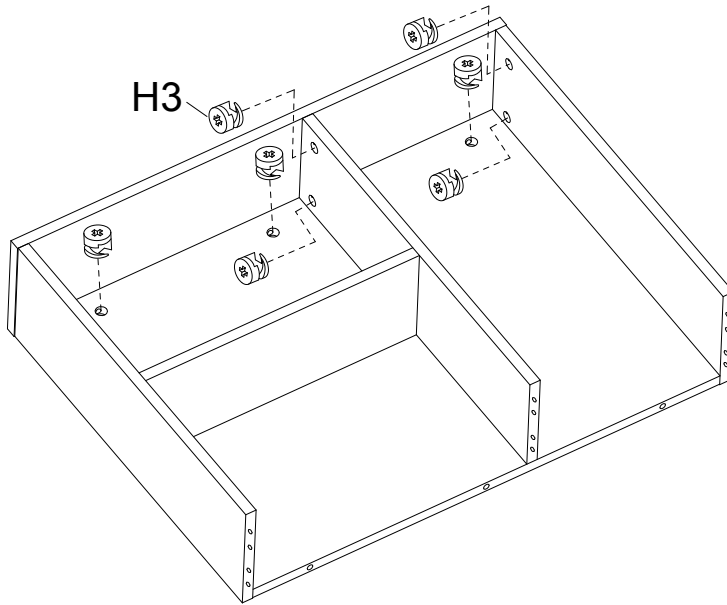
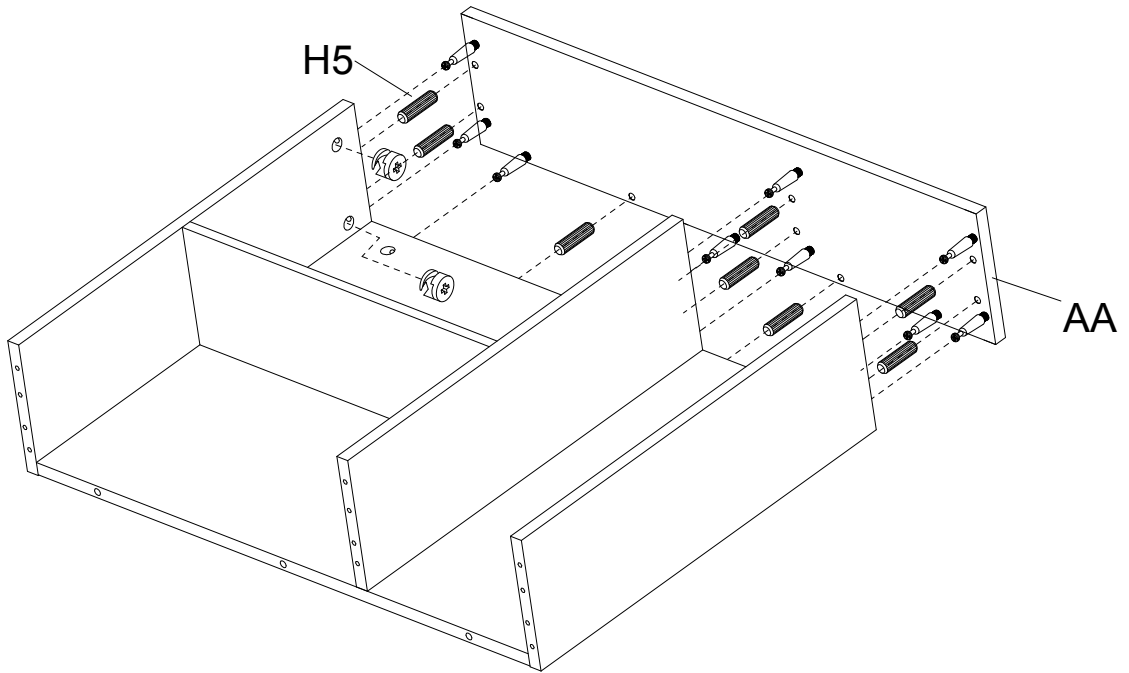
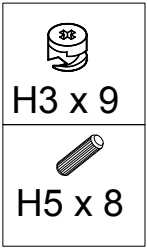
3



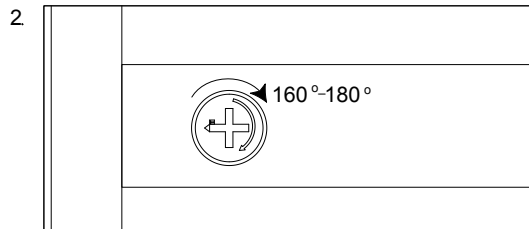
4



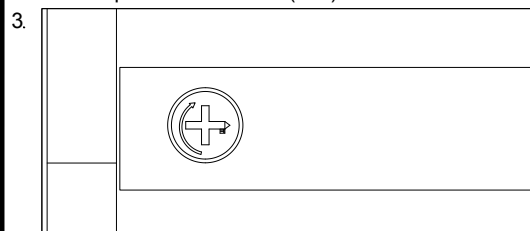
5



Make sure arrow feature on Cam lock(H-3) points to Cam bolt(H-1).

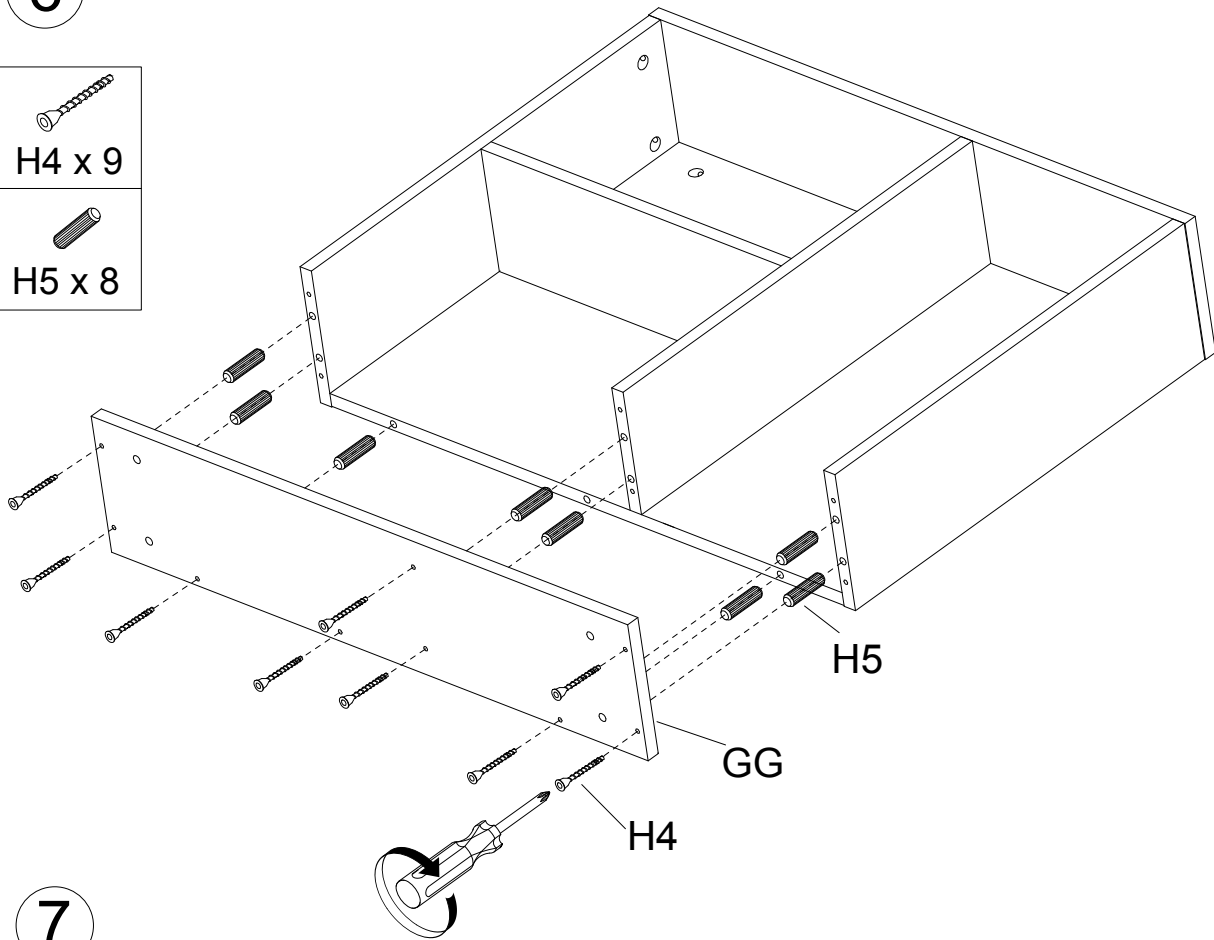
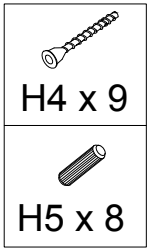


Rotate Cam lock(H-3) clockwise 160°-180° to lock parts together.

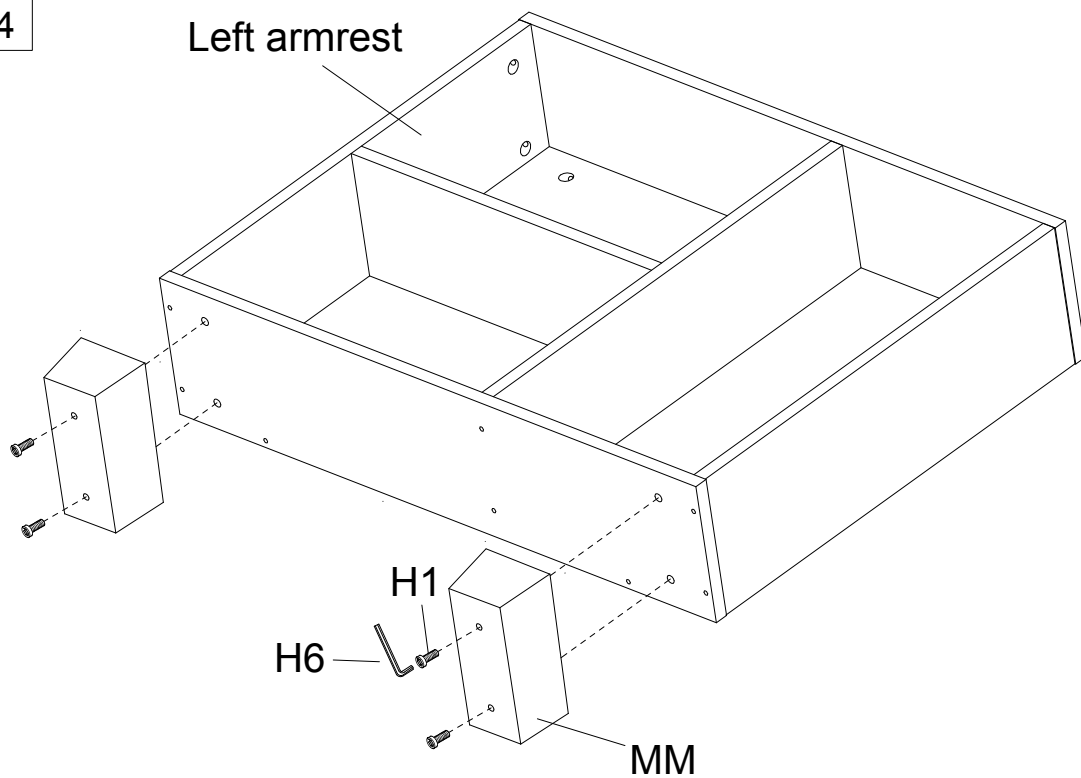
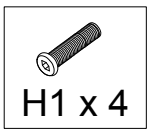


Parts should be tight against each other and connection should be rigid.

6



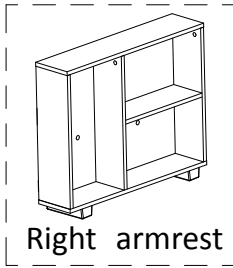
7



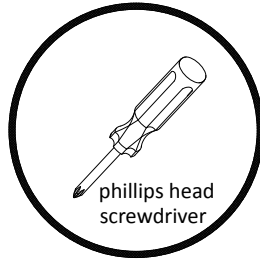


NOTE:

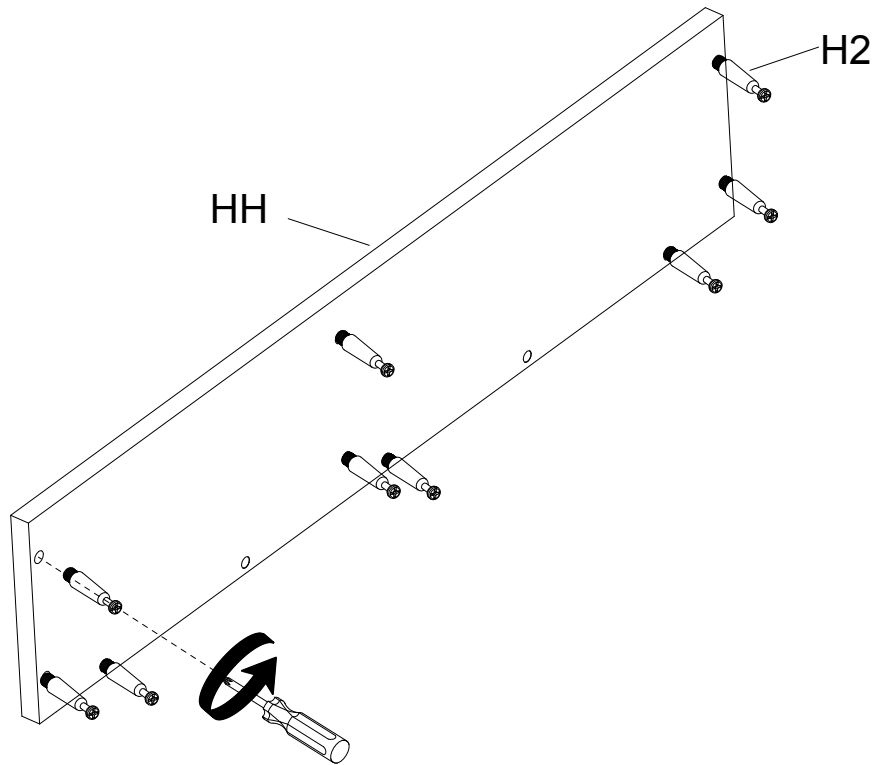
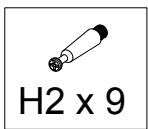
Suggest to assemble the product by 2 or more people.
Do not tighten screws before all product parts be together.



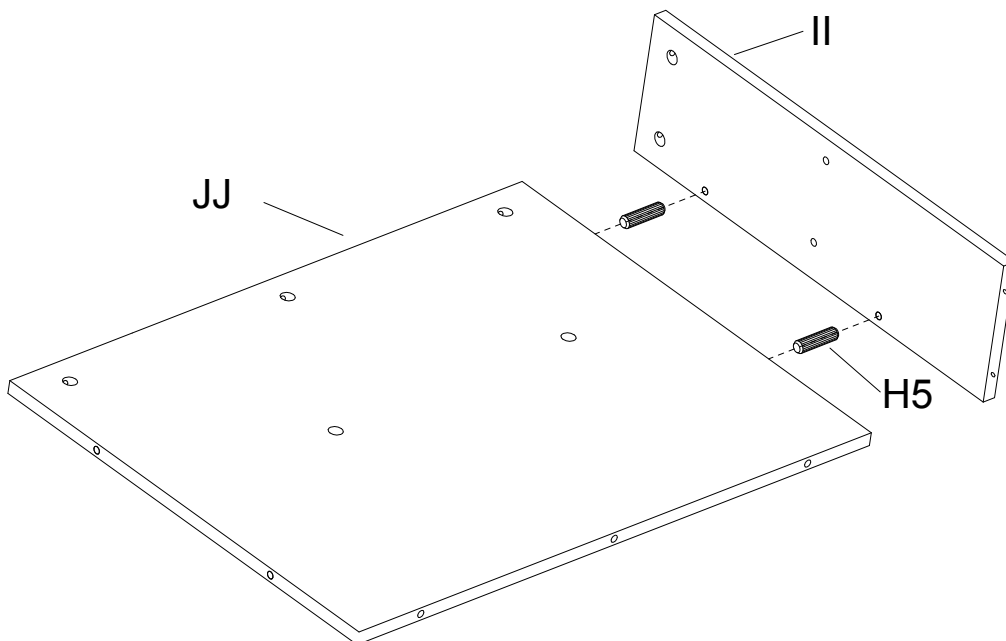
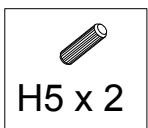
tools needed by yourself



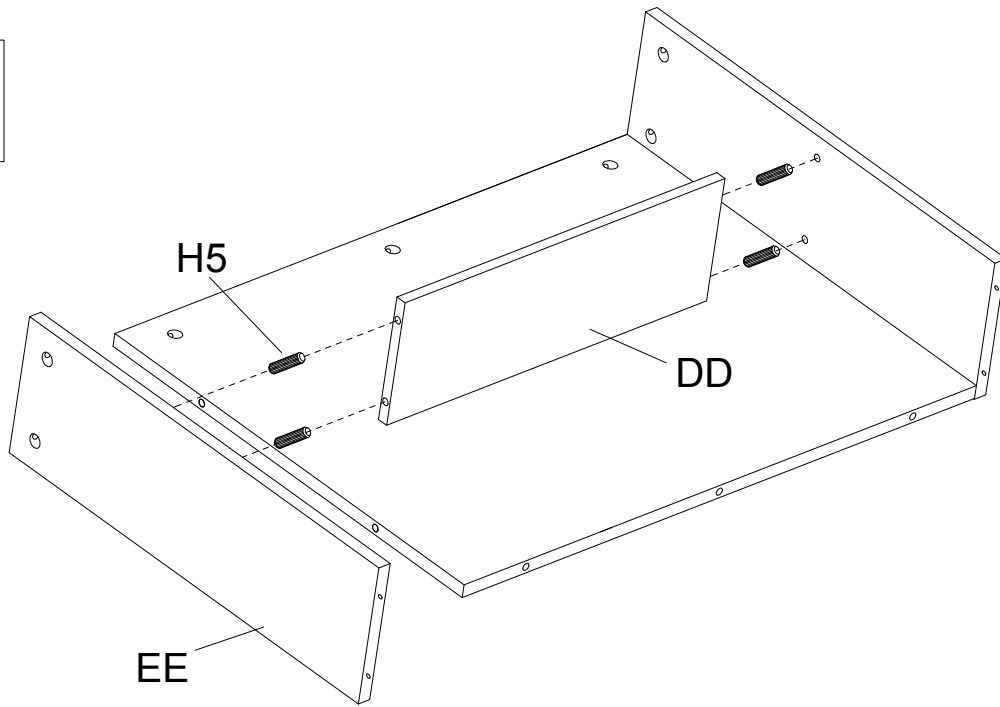
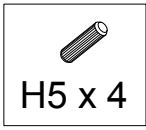
1



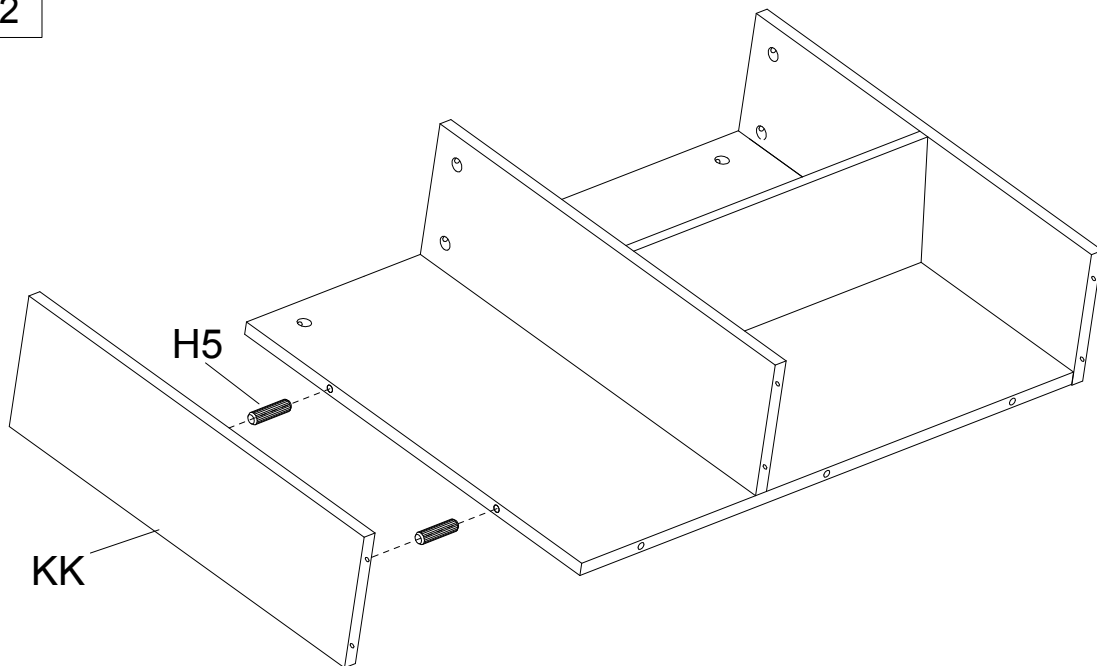
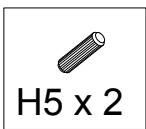
2



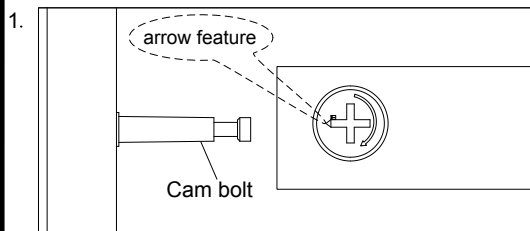
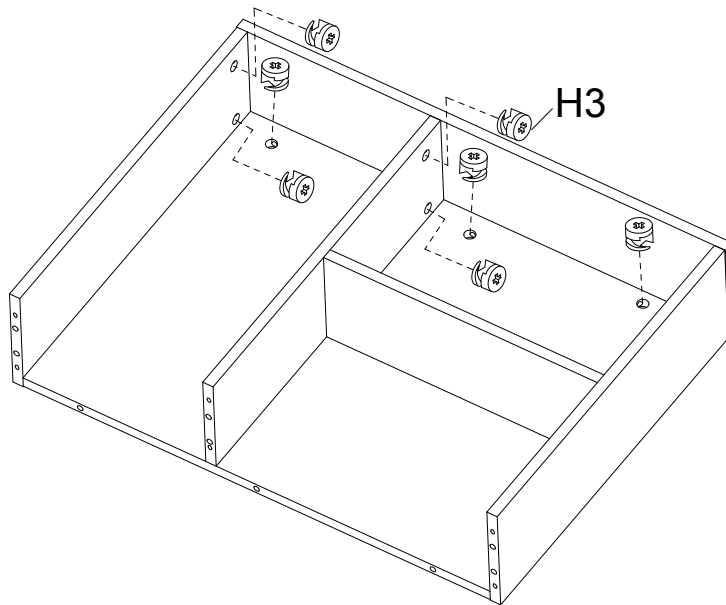
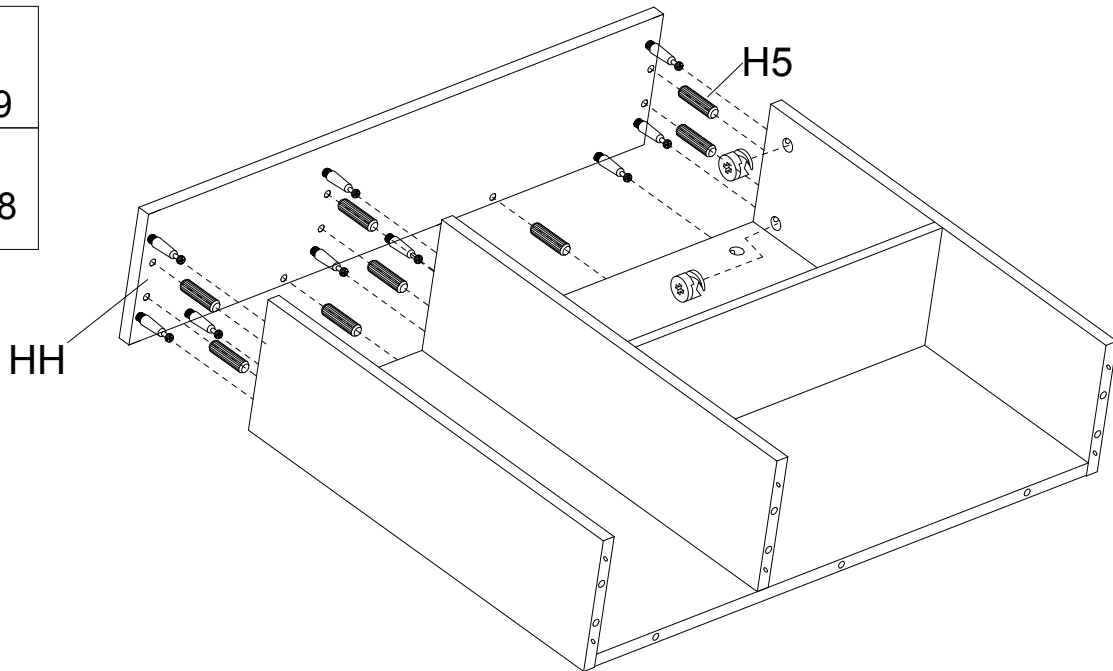
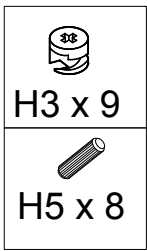
3



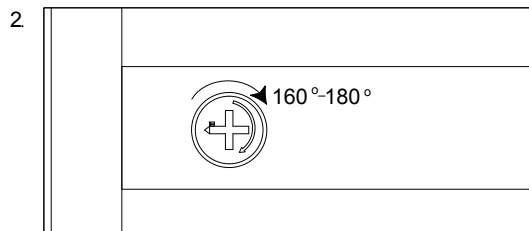
4



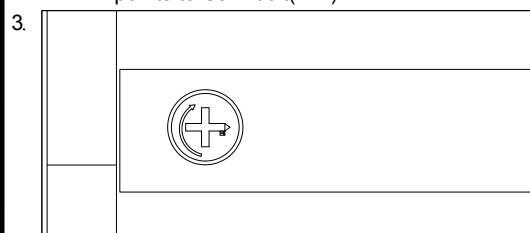
5



Make sure arrow feature on Cam lock(H-3) points to Cam bolt(H-1).

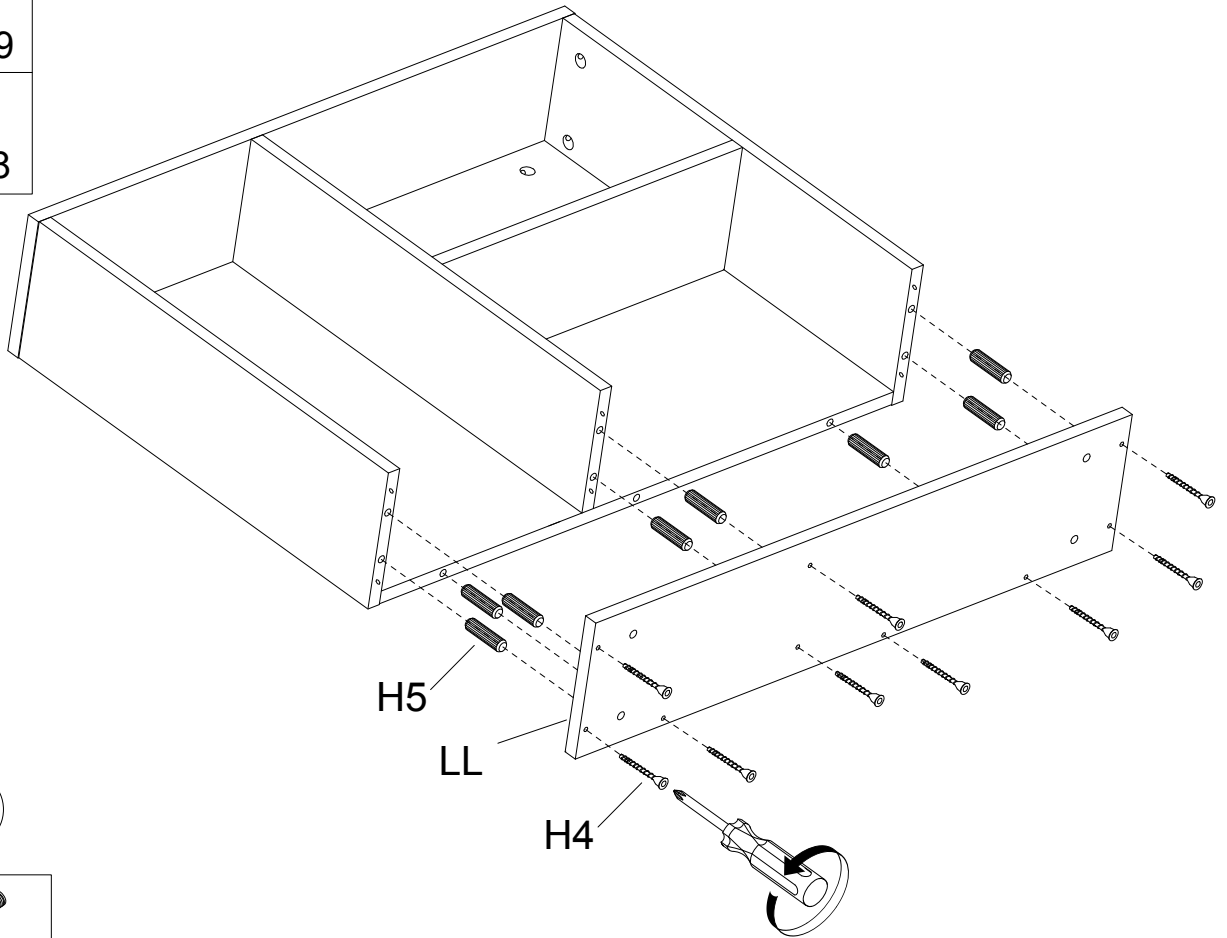
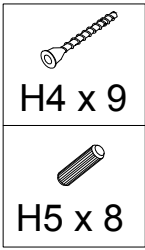


Rotate Cam lock(H-3) clockwise 160°-180° to lock parts together.

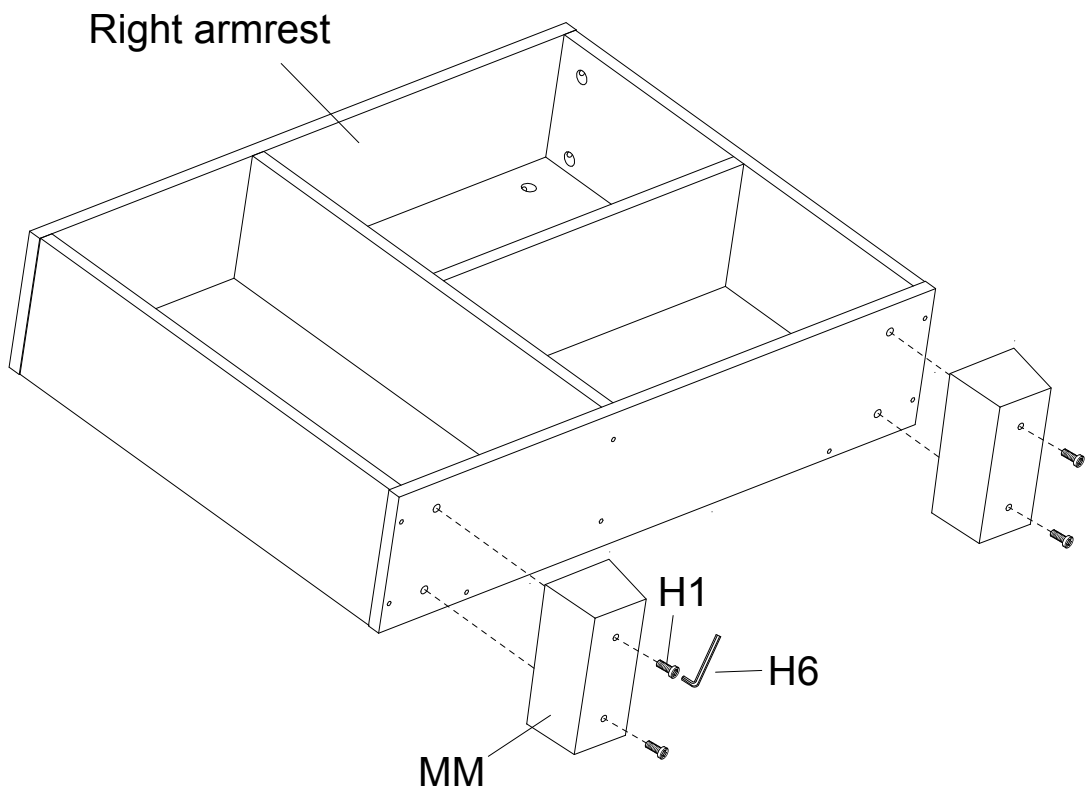
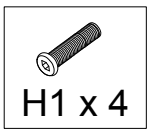


Parts should be tight against each other and connection should be rigid.

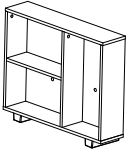
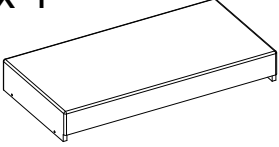
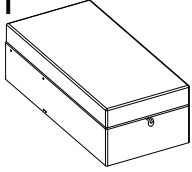
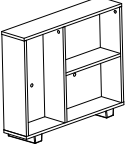
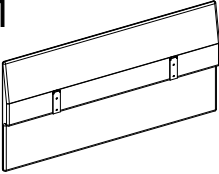
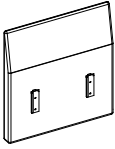
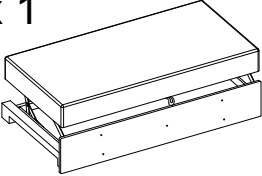
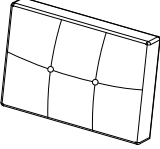
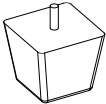
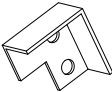
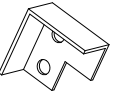

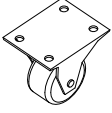
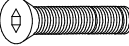
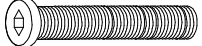

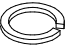
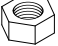
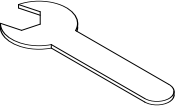
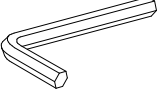
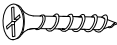
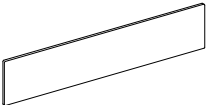
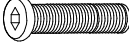


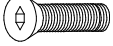
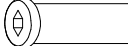
6



7



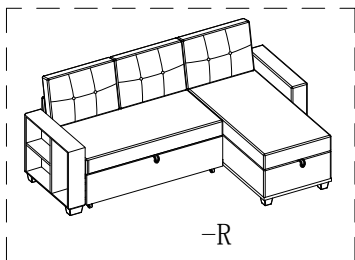
There are two sets of hardware:
This hardware corresponds to sofa body.

<p>A x 1 (Left armrest)</p> 	<p>B x 1</p> 	<p>C x 1</p> 
<p>D x 1 (Right armrest)</p> 	<p>E x 1</p> 	<p>F x 1</p> 
<p>G x 1</p> 	<p>H x 3</p> 	<p>I x 4</p> 
<p>J x 1</p> 	<p>K x 1</p> 	<p>L x 2</p> 
<p>M x 4</p> 	<p>N x 10</p>  1/4" x 3/4"	<p>O x 2</p>  5/16" x 2-1/2"
<p>P x 12</p>  5/16"	<p>Q x 2</p>  5/16"	<p>R x 2</p>  5/16"
<p>S x 1</p> 	<p>T x 1</p> 	<p>U x 4</p> 
<p>V x 1</p> 	<p>W x 5</p>  1/4" x 1"	<p>X x 2(Silver)</p>  Ø8*30mm
<p>Y x 4</p>  M6*20mm	<p>Z x 2</p>  M6*12mm	<p>X1 x 2(Black)</p>  Ø8*35mm

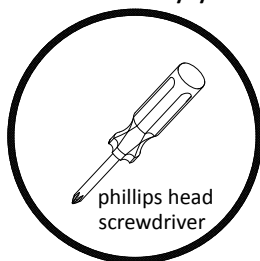


NOTE:

Suggest to assemble the product by 2 or more people.
Do not tighten screws before all product parts be together.

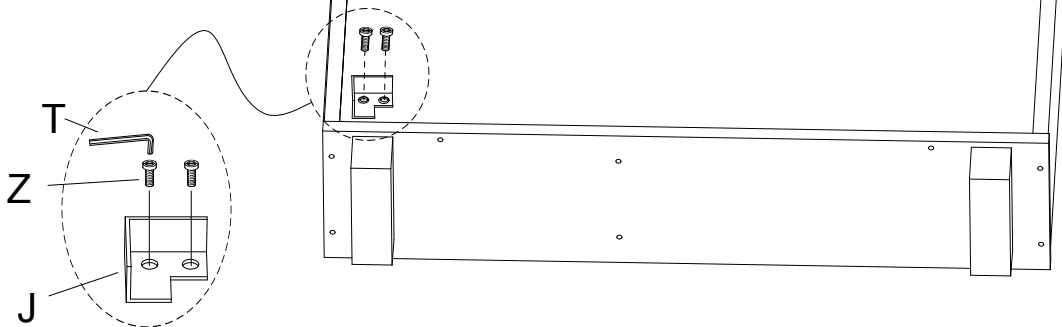


tools needed by yourself



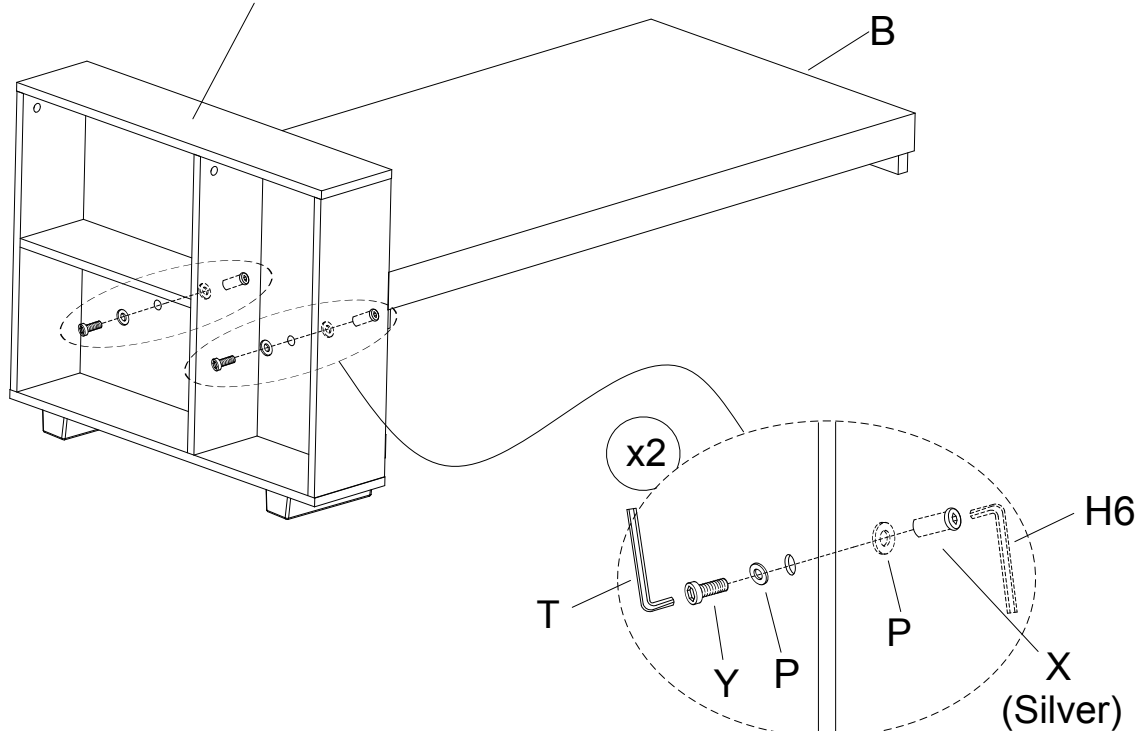
1

A (Left armrest)

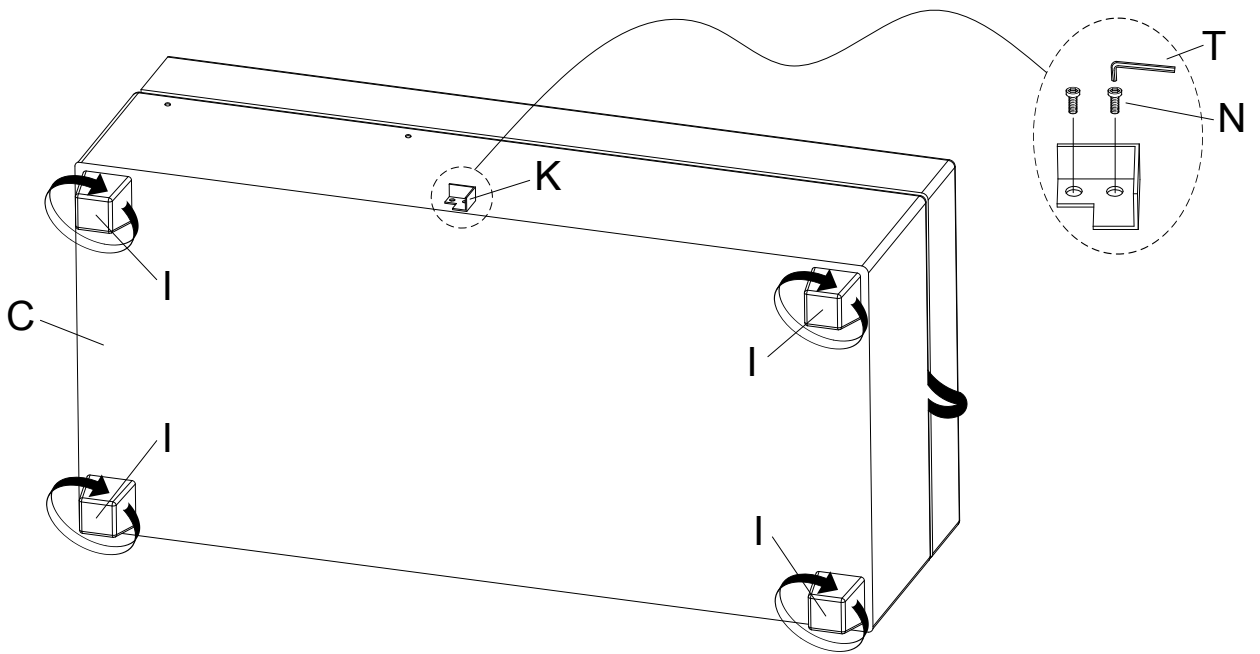


2

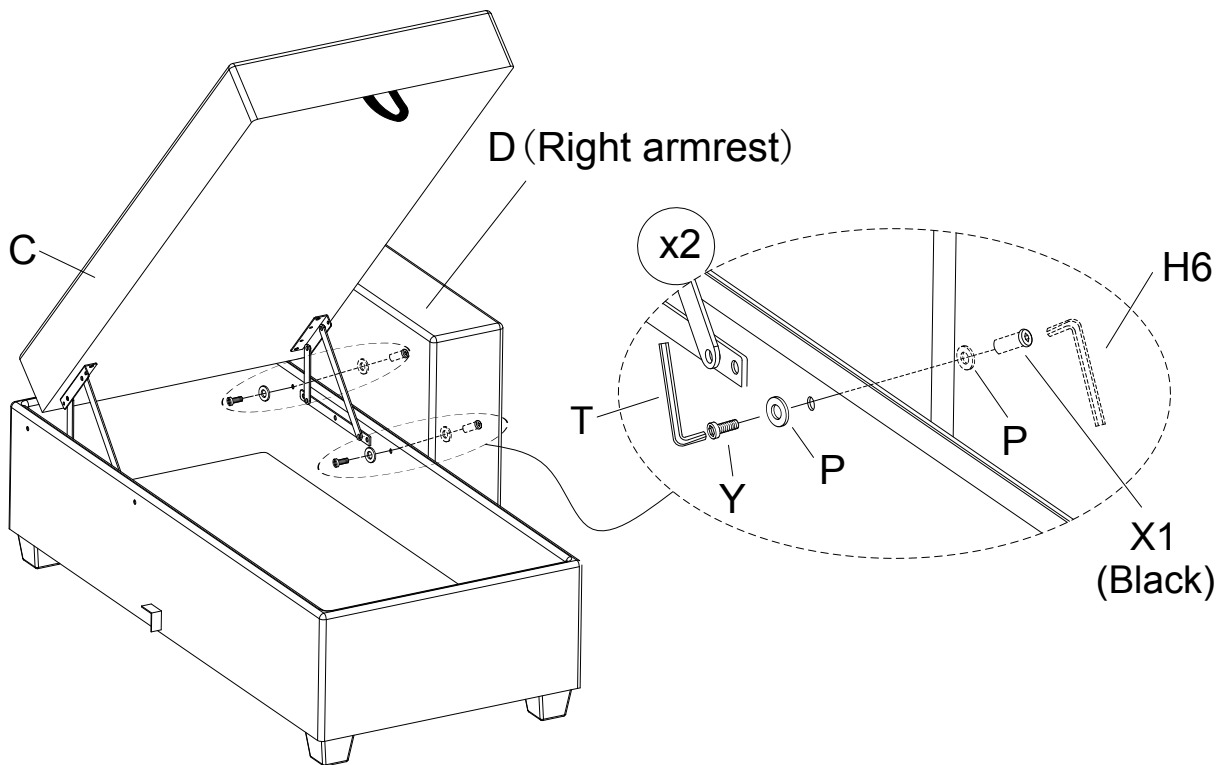
A (Left armrest)



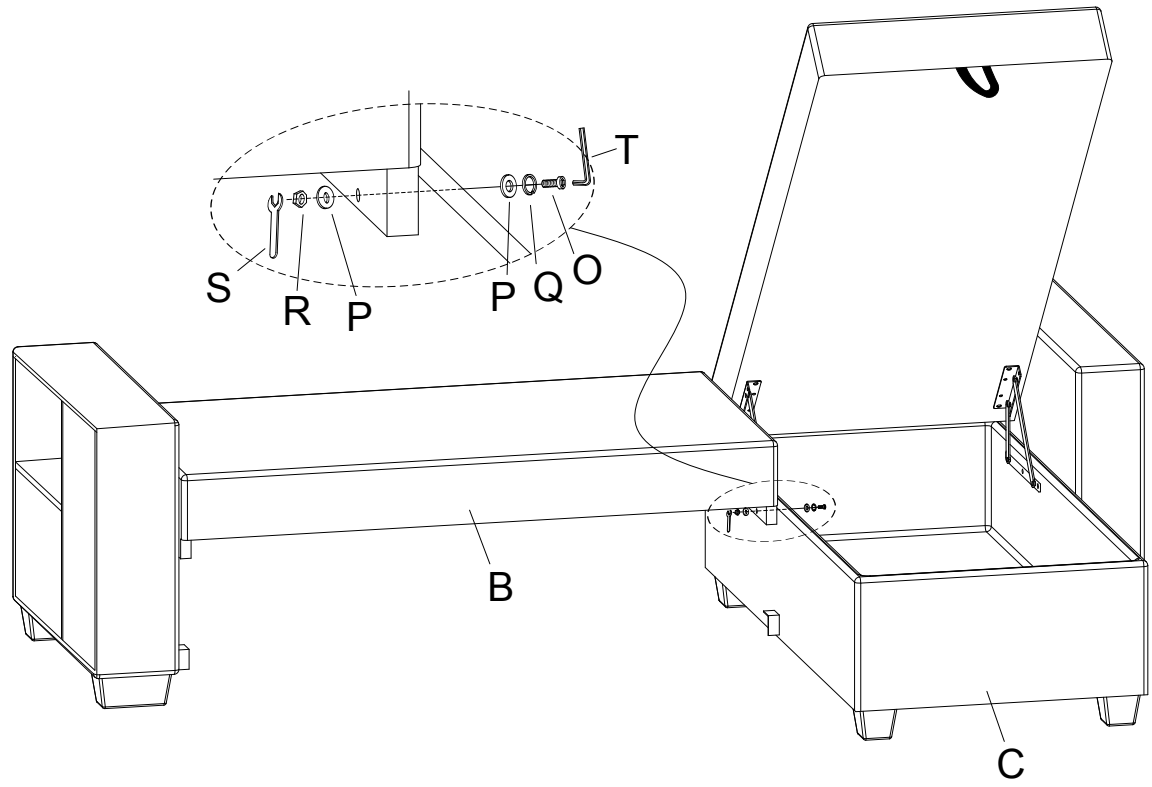
3



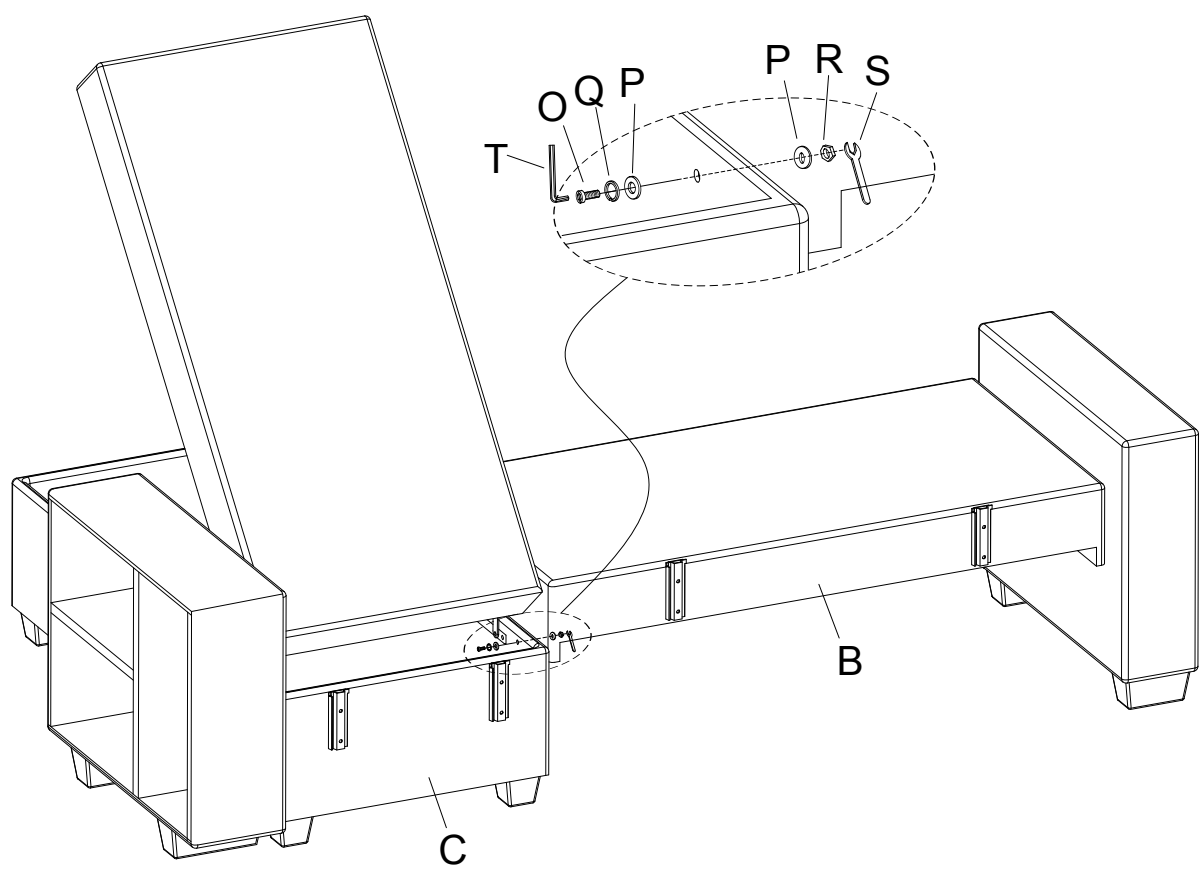
4



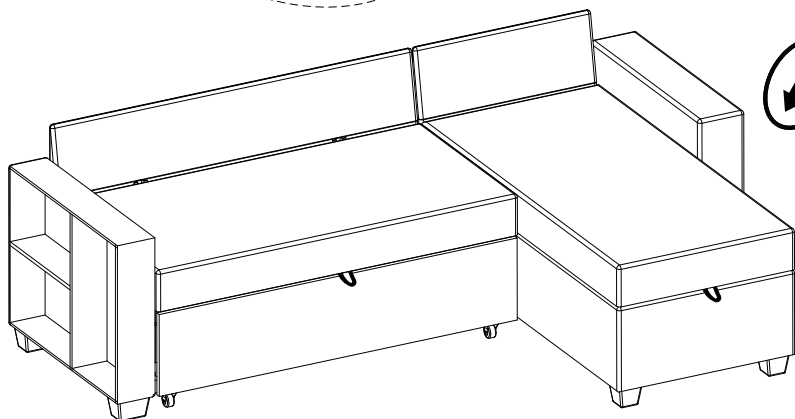
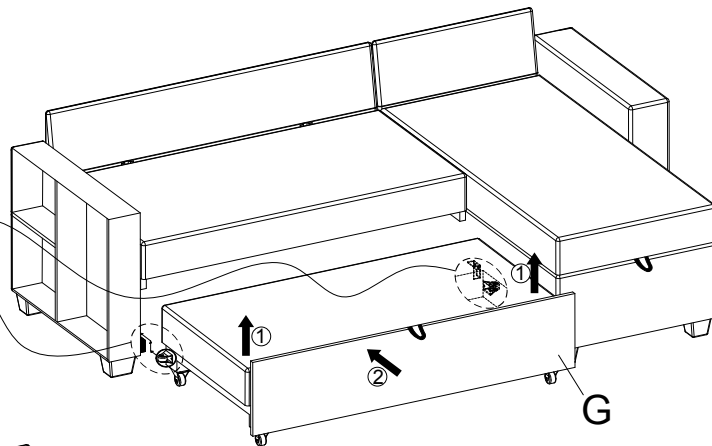
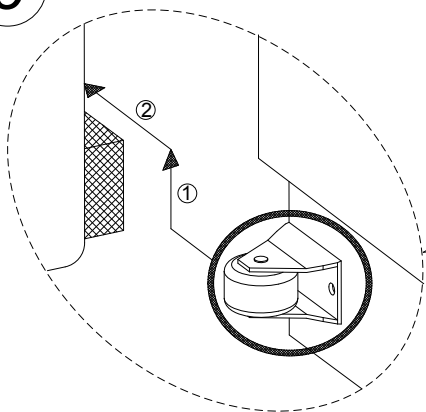
5



6

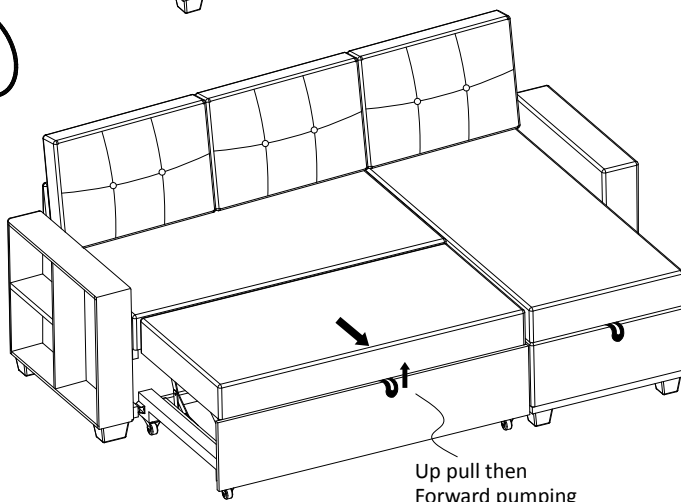
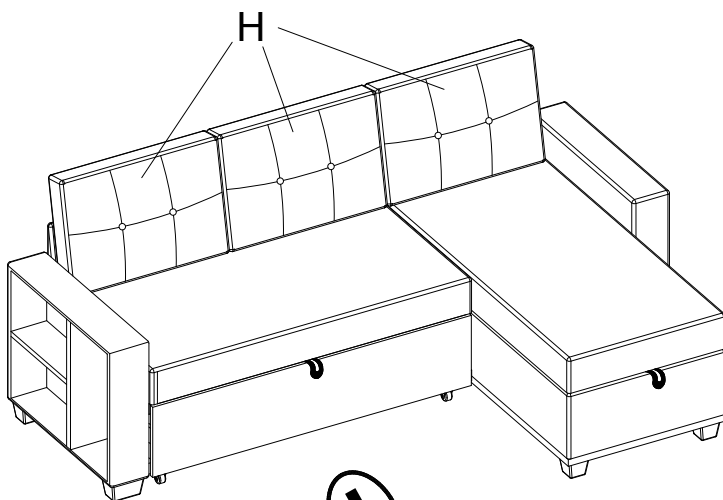


9



- ① Lift movable frame
- ② Push into the movable frame

10

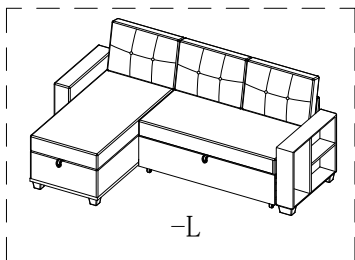


Up pull then
Forward pumping

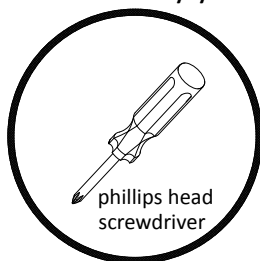


NOTE:

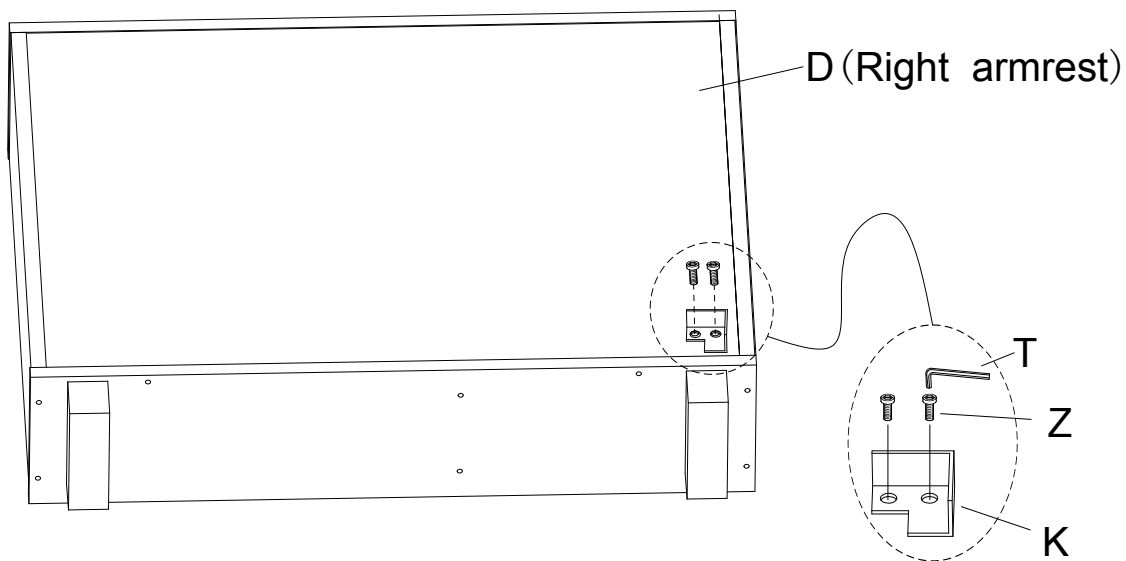
Suggest to assemble the product by 2 or more people.
Do not tighten screws before all product parts be together.



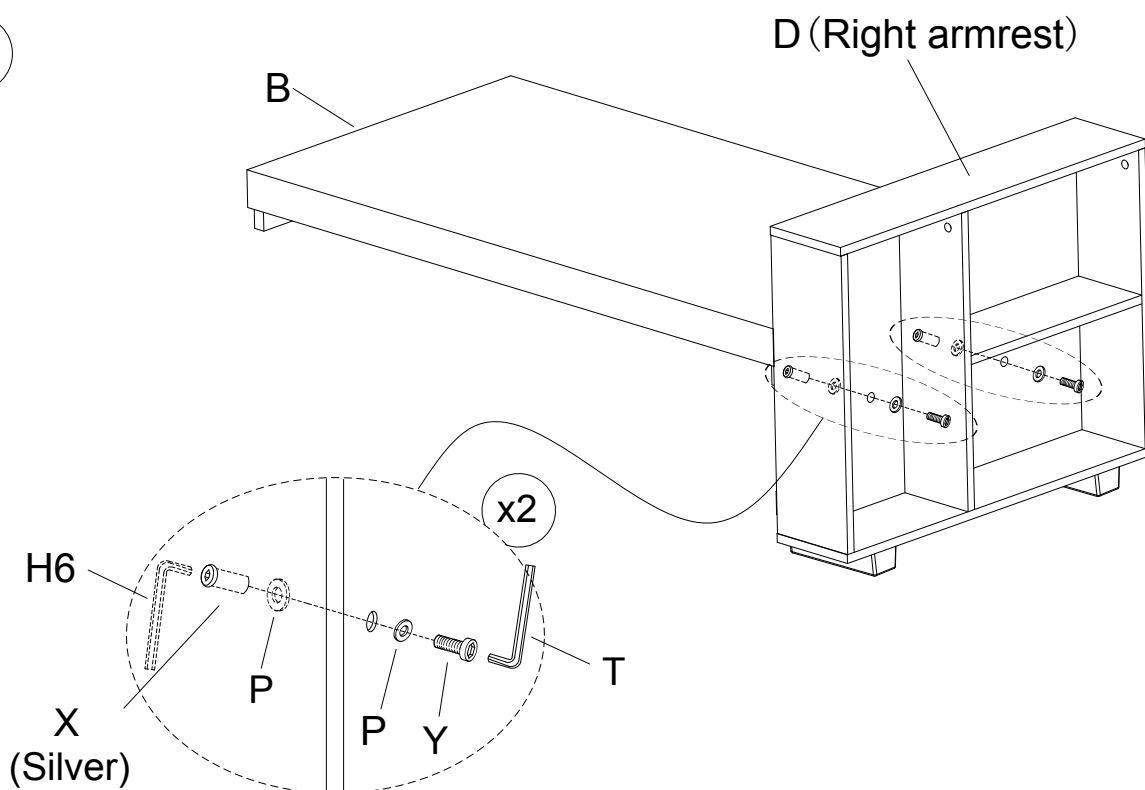
tools needed by yourself



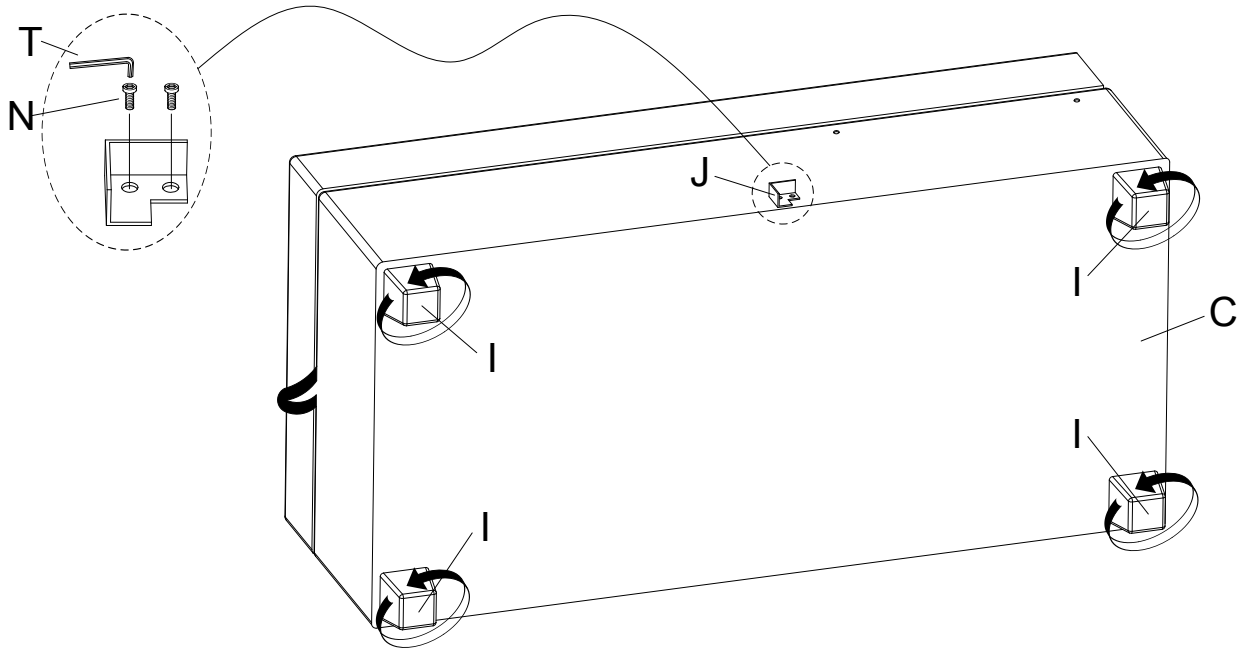
1



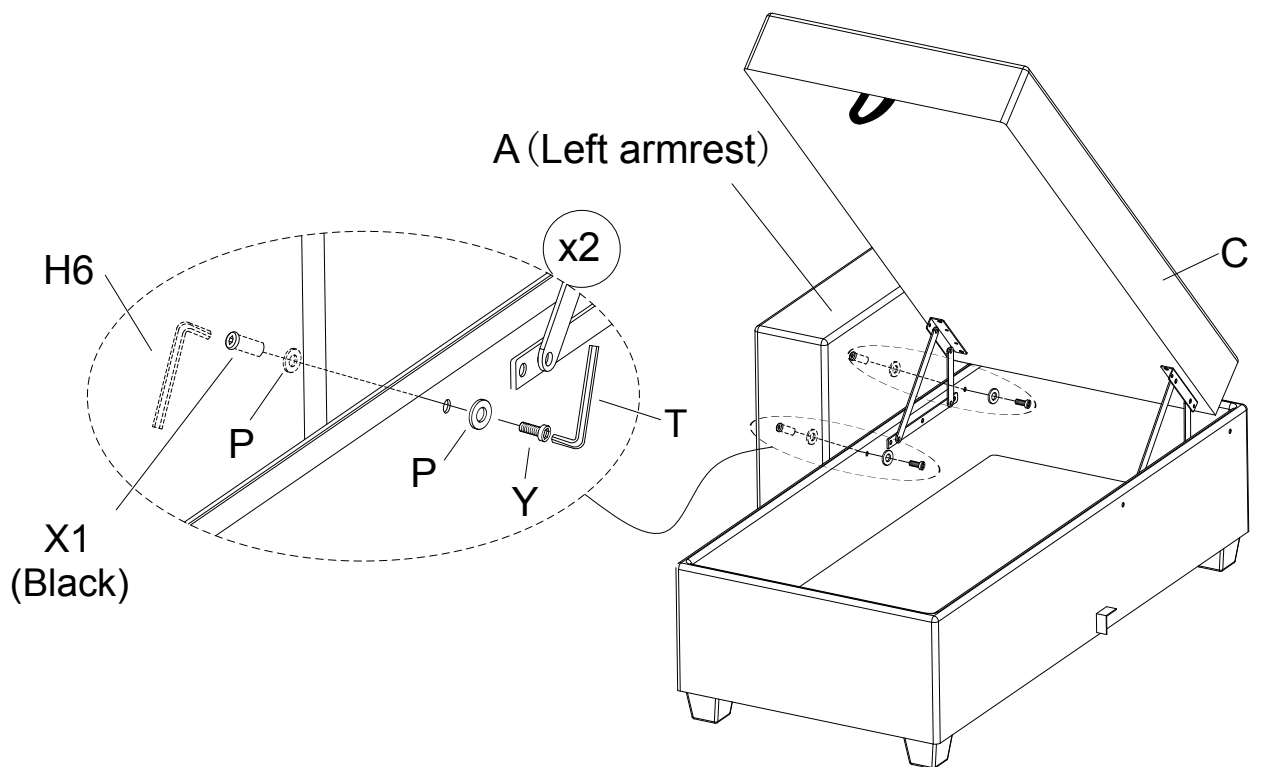
2



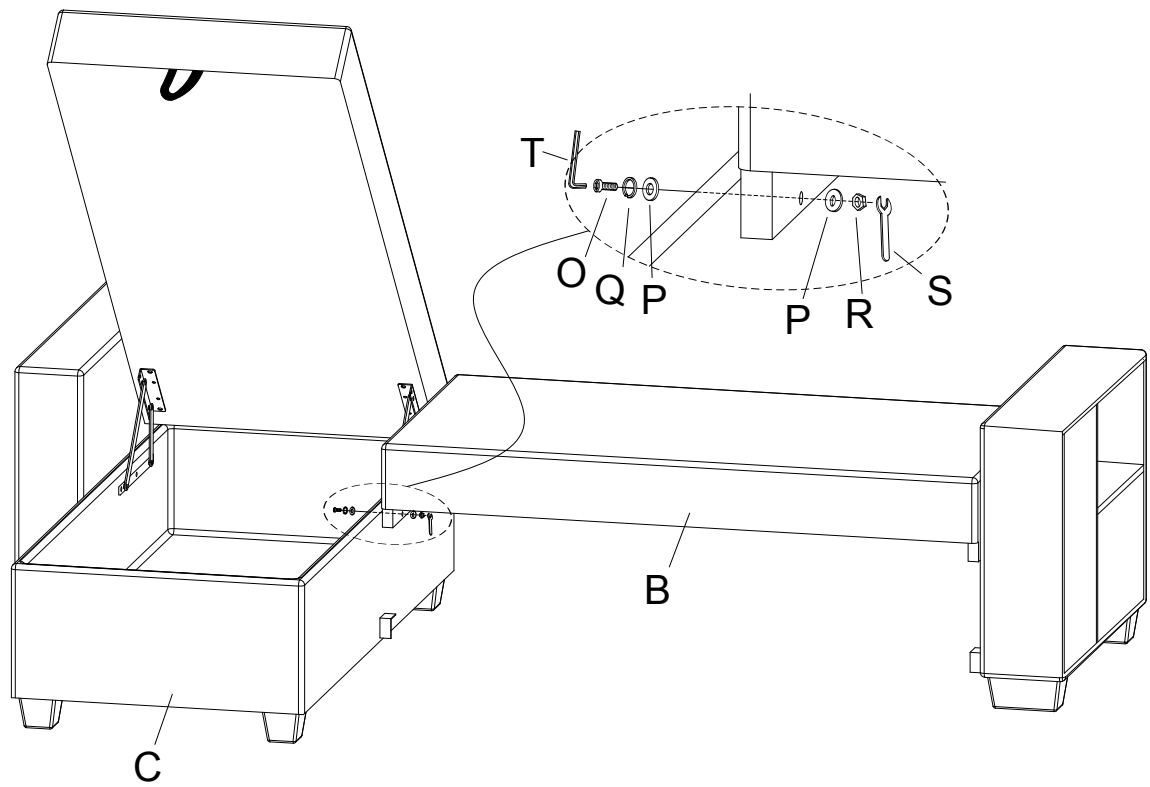
3



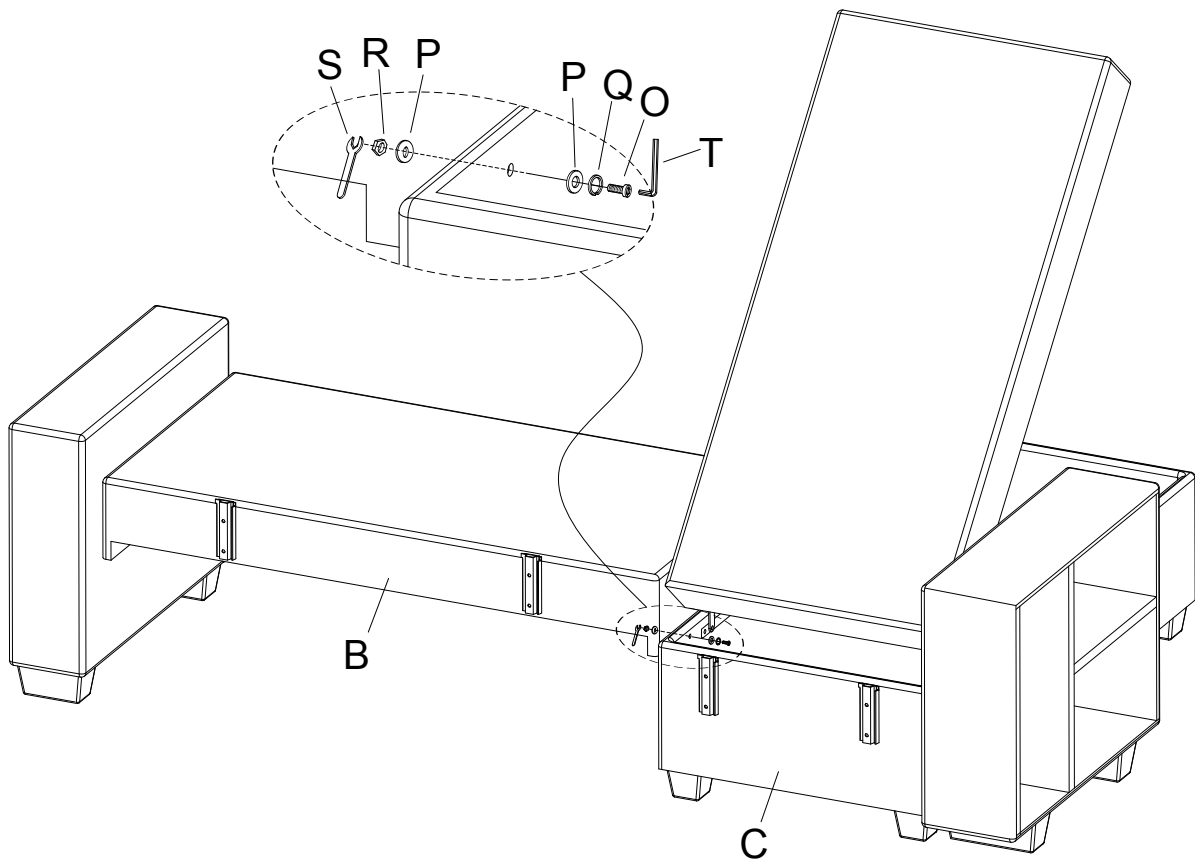
4



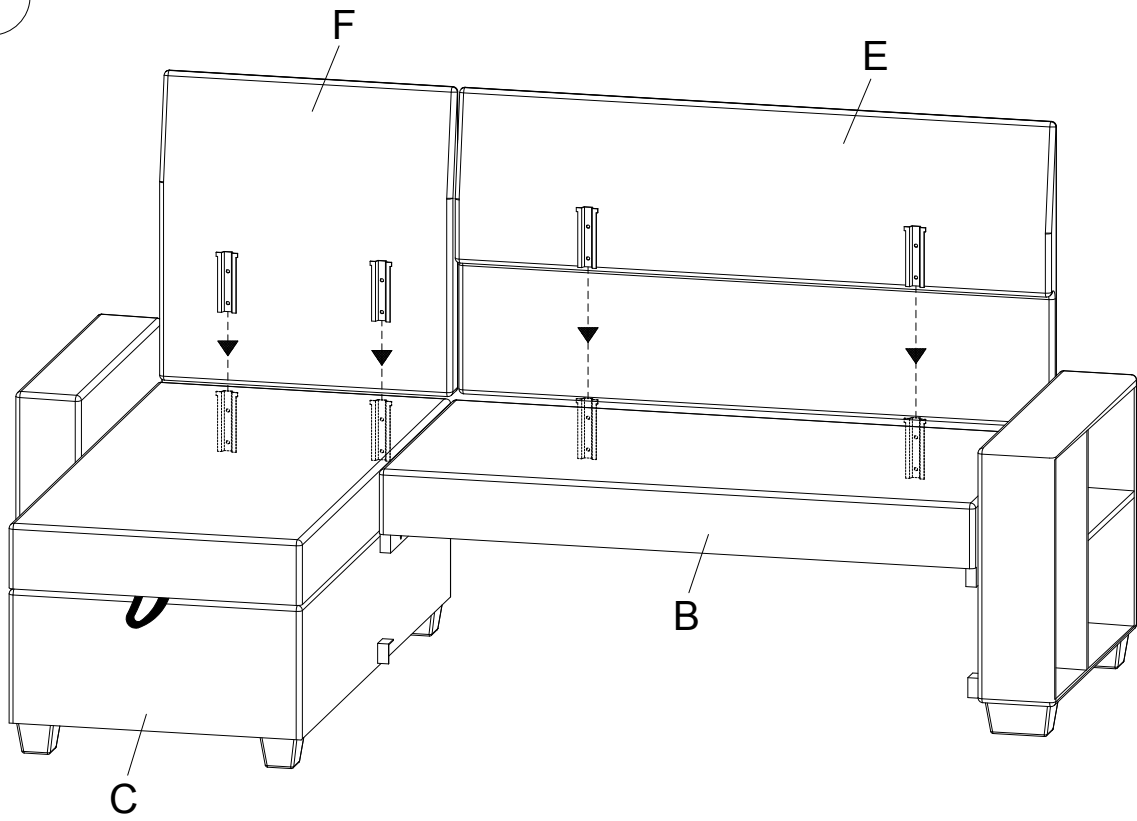
5



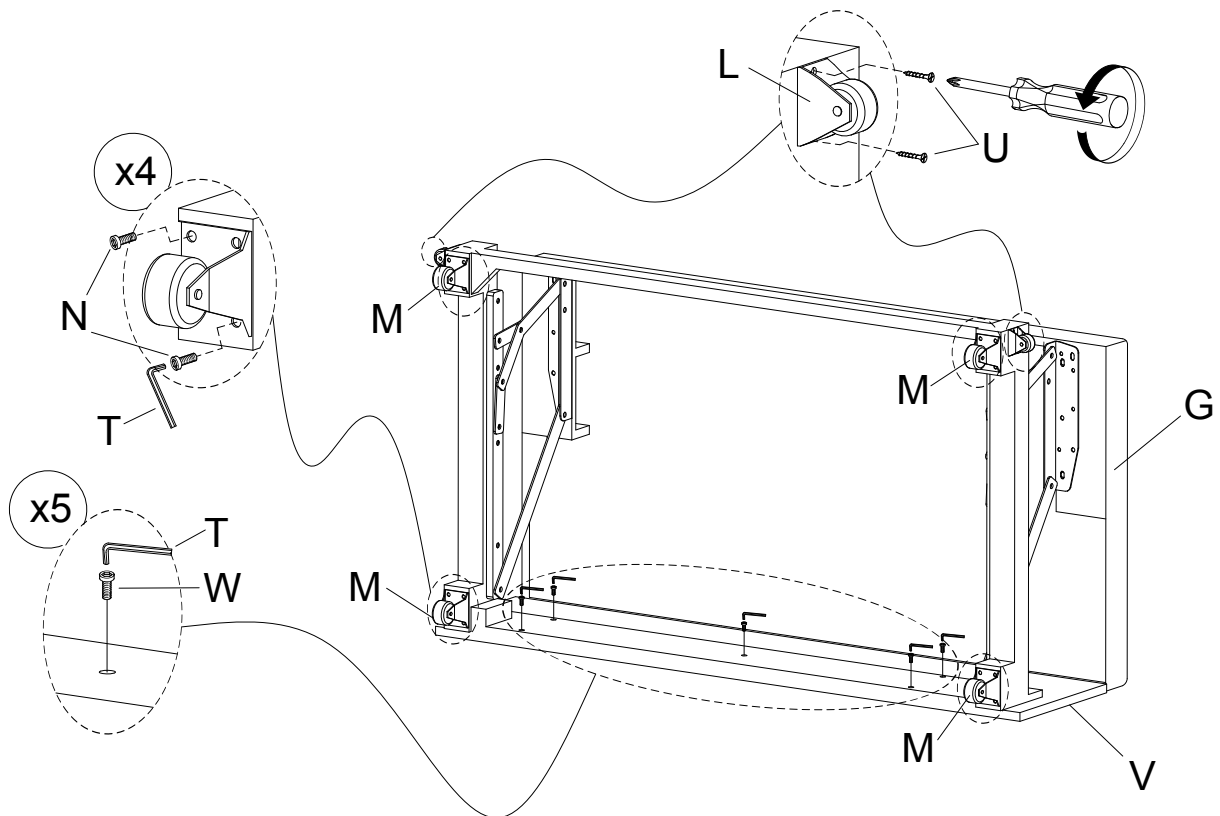
6



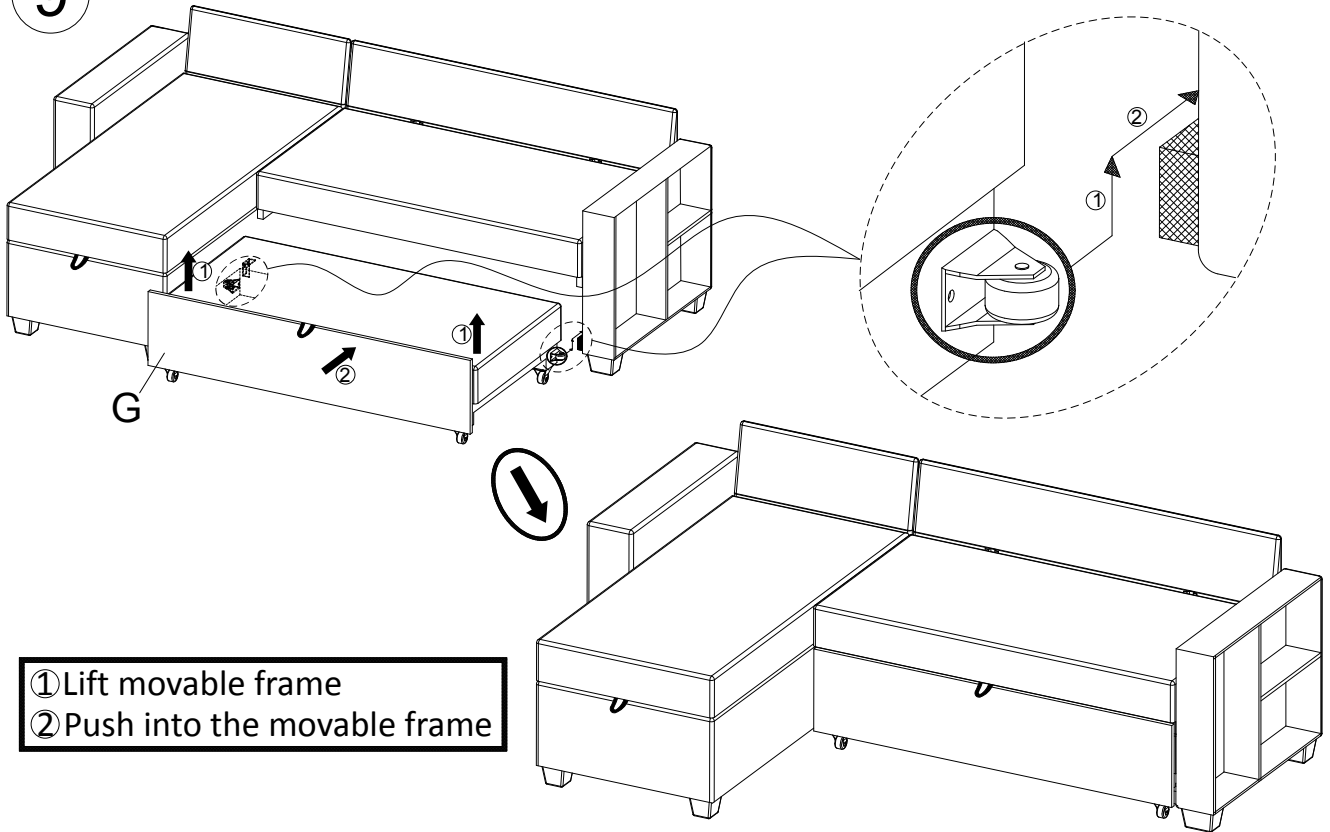
7



8



9



10

