

LED Body Mirror with Stand
User Manual

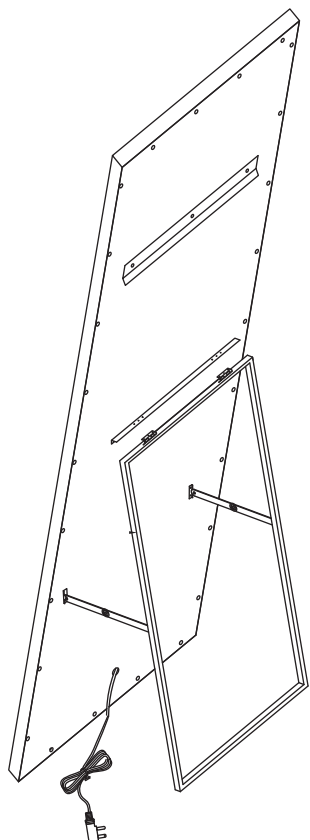
LED Body Mirror with Stand

INTRODUCTION

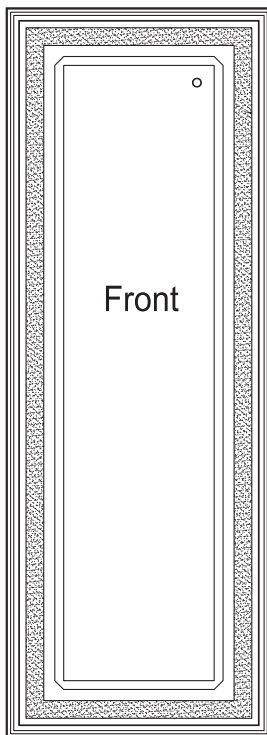
Thank you for choosing LED Full Length Mirror.
Please read this user manual carefully and keep it for future reference.
If you need any assistance, please contact us by email with your Amazon order number and details.

FREE STANDING OR WALL MOUNTED

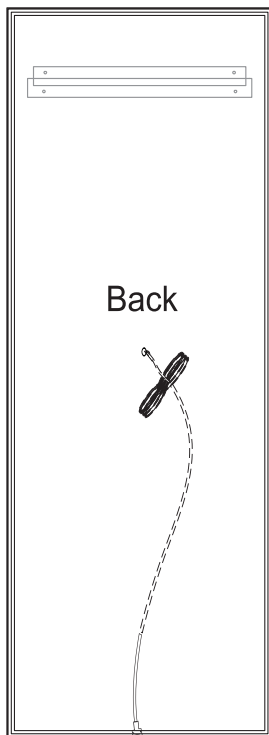
Free Standing or Wall Mounted can be selected,
we punched two different mounting holes on the back.



or



Front



Back

LED Body Mirror with Stand

INSTALLATION GUIDE (for Wall Mount)

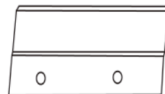
ACCESSORIES INCLUDED



Screw * 4



Wall Anchor * 4

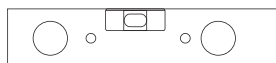


Mounting Bracket* 2

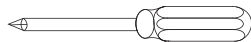
TOOLS REQUIRED



ELECTRIC DRILL



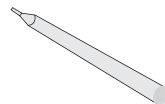
RULER



+ SCREWDRIVER



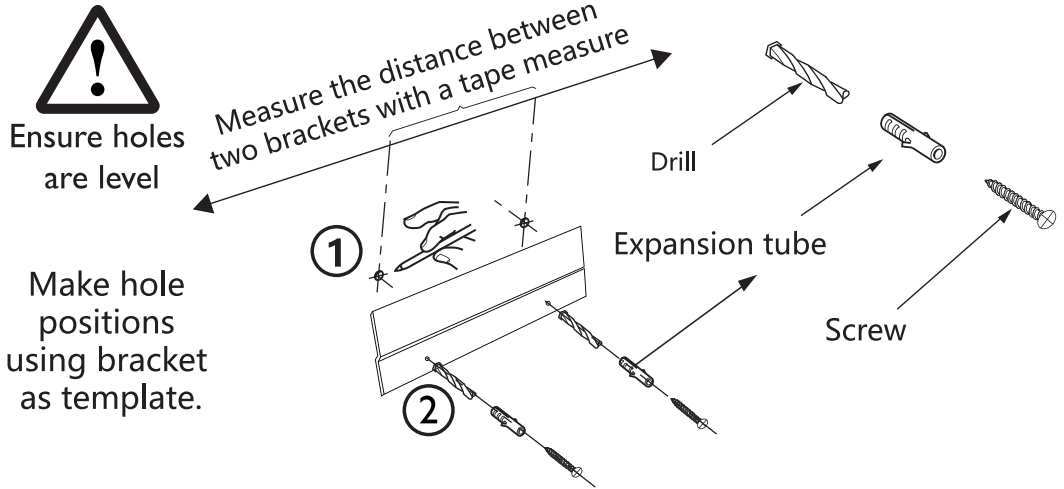
TAPE MEASURE



PENCIL

LED Body Mirror with Stand

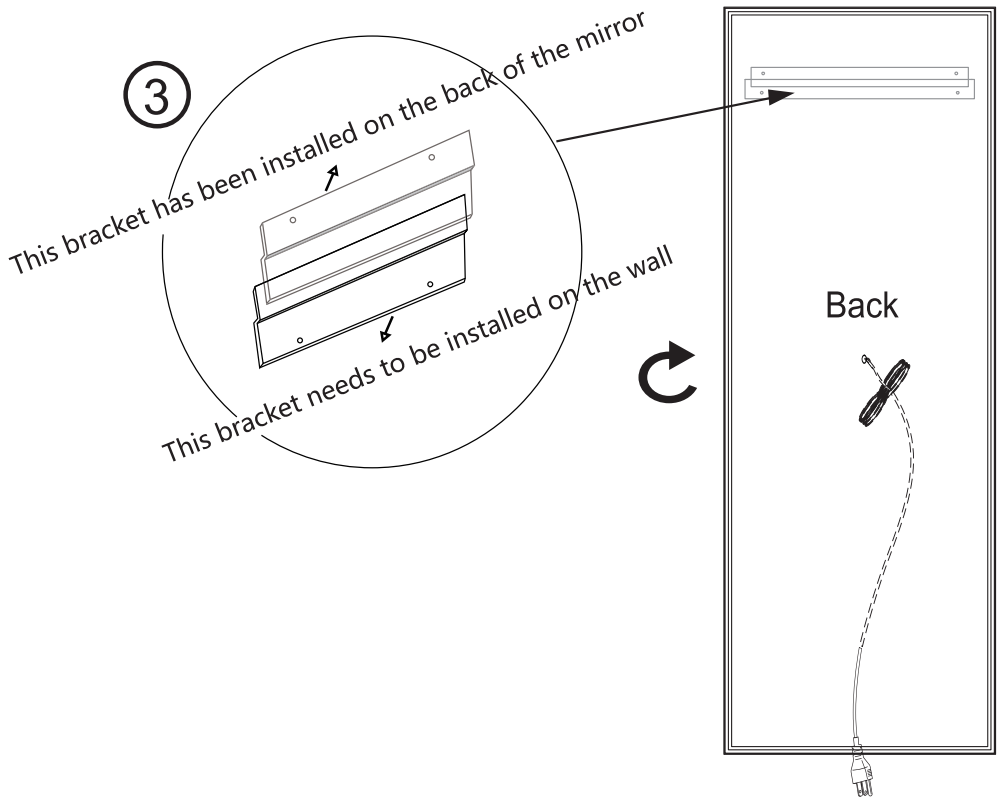
INSTALLATION STEPS



Step 1: Use a tape measure to measure the distance between the two holes on the mounting bracket; Mark the location of the two holes on the wall with a pencil

Step 2: Use a drill to punch holes at marked points; Use hammer to drive the wall anchor; Install the bracket with a screwdriver

LED Body Mirror with Stand

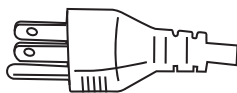
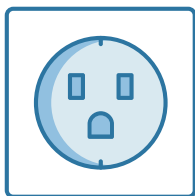


Step 3: Hanging the mirror on the wall by the 2 brackets(one on the back of the mirror, the other on the wall)

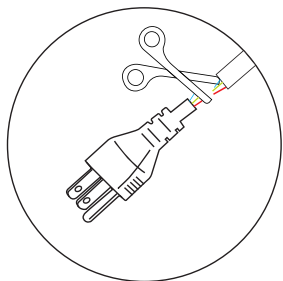
LED Body Mirror with Stand

Step 4: Choose your power supply method:

SITUATION 1: there has wall outlet near by the place you want to install, just plug into wall outlet then enjoy your LED mirror!



SITUATION 2: there has NO wall outlet near by the place you want to install, you need to cut the the plug off to wire it with junction box.



Cut the optional plug off
to direct wire to junction box

