

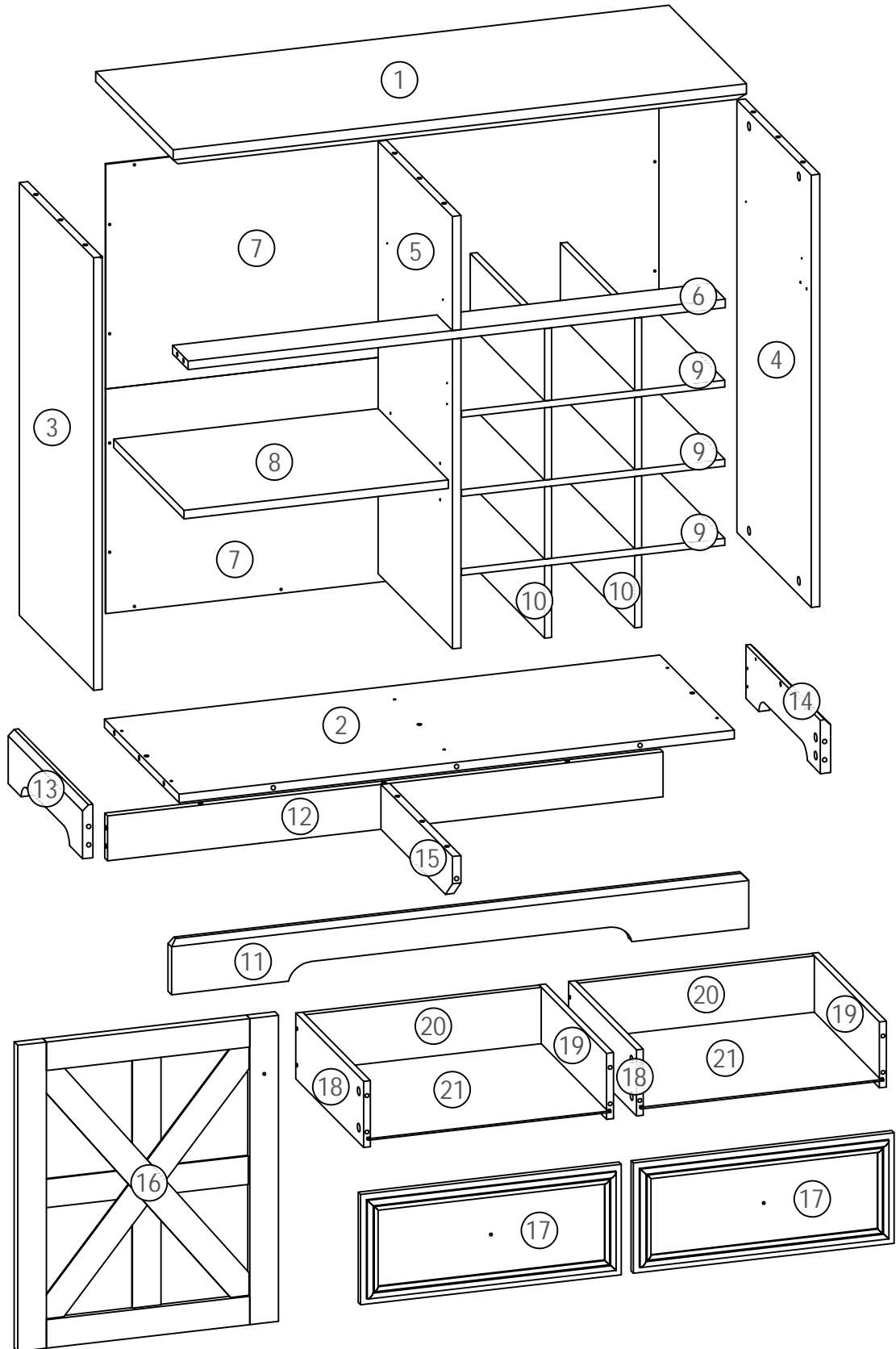
Buffet Cabinet with 2 Drawers

Item#:YS-002

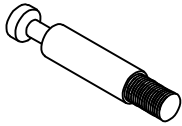
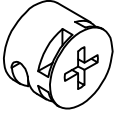

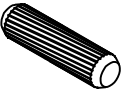
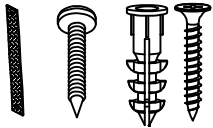
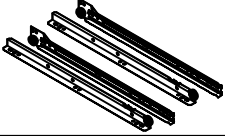
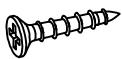

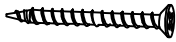

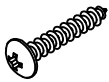
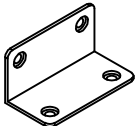
Assembly Instructions

**NOTE:** This instruction manual contains **IMPORTANT** safety information.  
Please read carefully before assembling the product

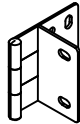
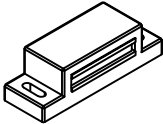


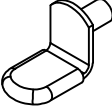
# List of Parts



# List of Hareware

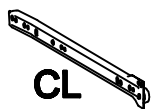
No.	Hare ware	Quantity
(A)		46
(B)	 <b>Ø15x9MM</b>	38
(C)	 <b>Ø12 x9MM</b>	8
(D)	 <b>Ø8x30MM</b>	8
(E)		2
(F)	 <b>14"</b>	8
(G)	 <b>Ø3.0x12MM</b>	46+1
(H)		3
(I)	 <b>Ø3.5x35MM</b>	8
(J)	 <b>M4x22MM</b>	3
(K)	 <b>Ø3.5x12MM</b>	20
(L)		2

# List of Hareware

No.	Hare ware	Quanti ty
(M)		2
(N)		1
(O)	 <b>Ø3x14MM</b>	2
(P)		1
(Q)		4

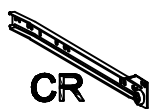
# STEP1

(F)



1 PCS

(F)



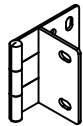
1 PCS

(G)

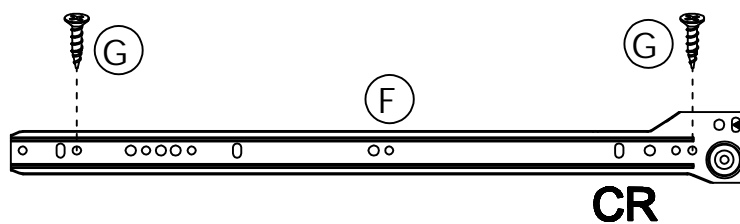
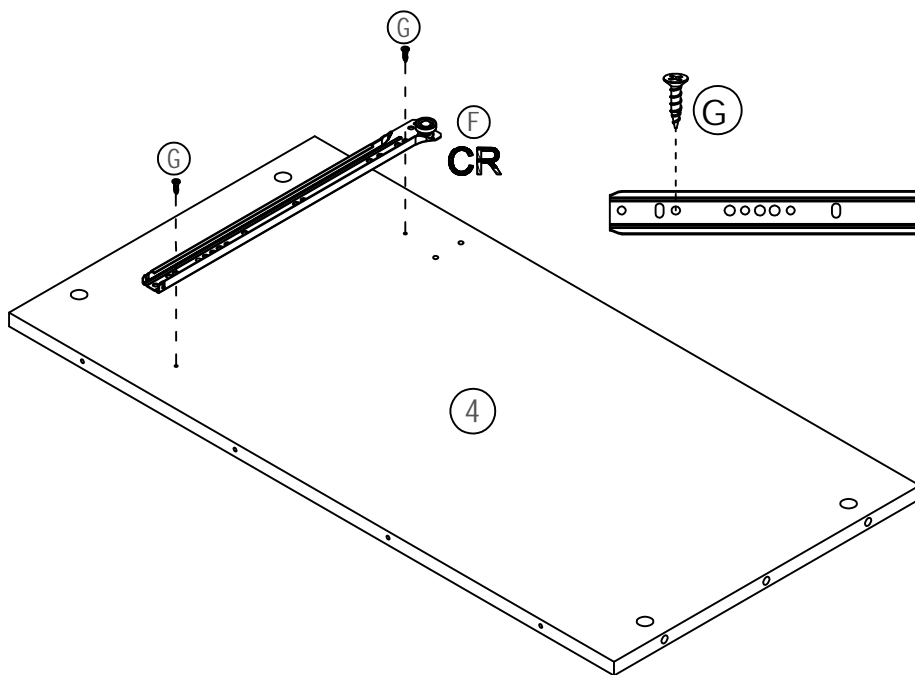
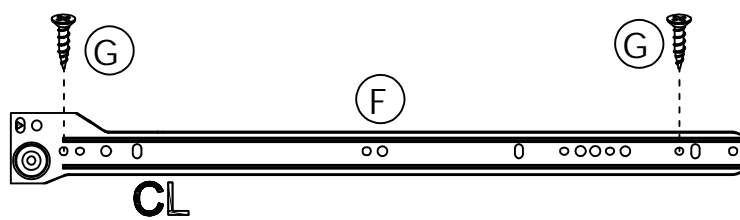
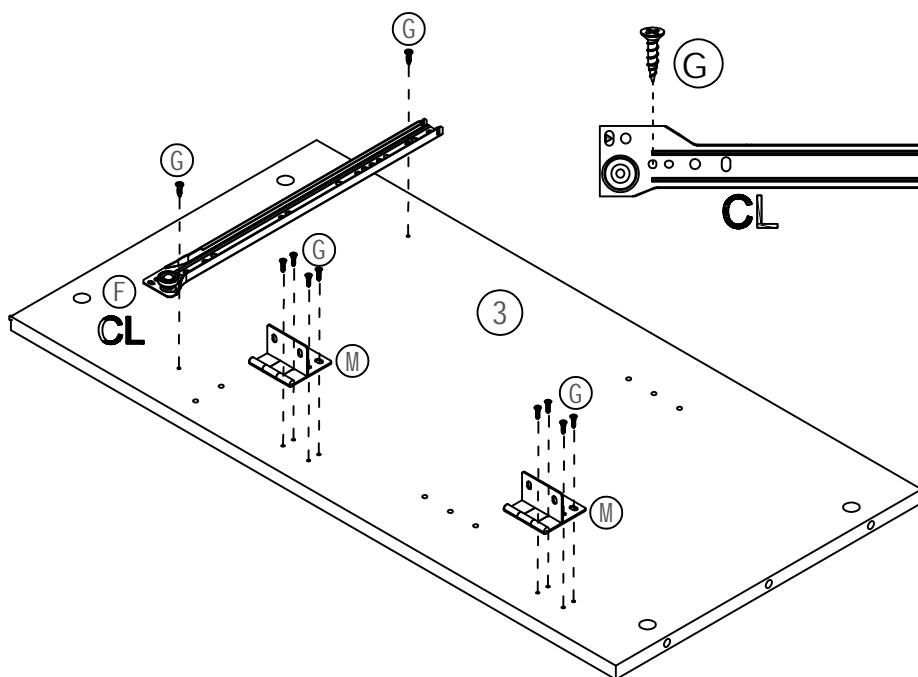


12 PCS

(M)

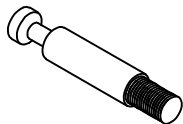


2 PCS



# STEP2

A

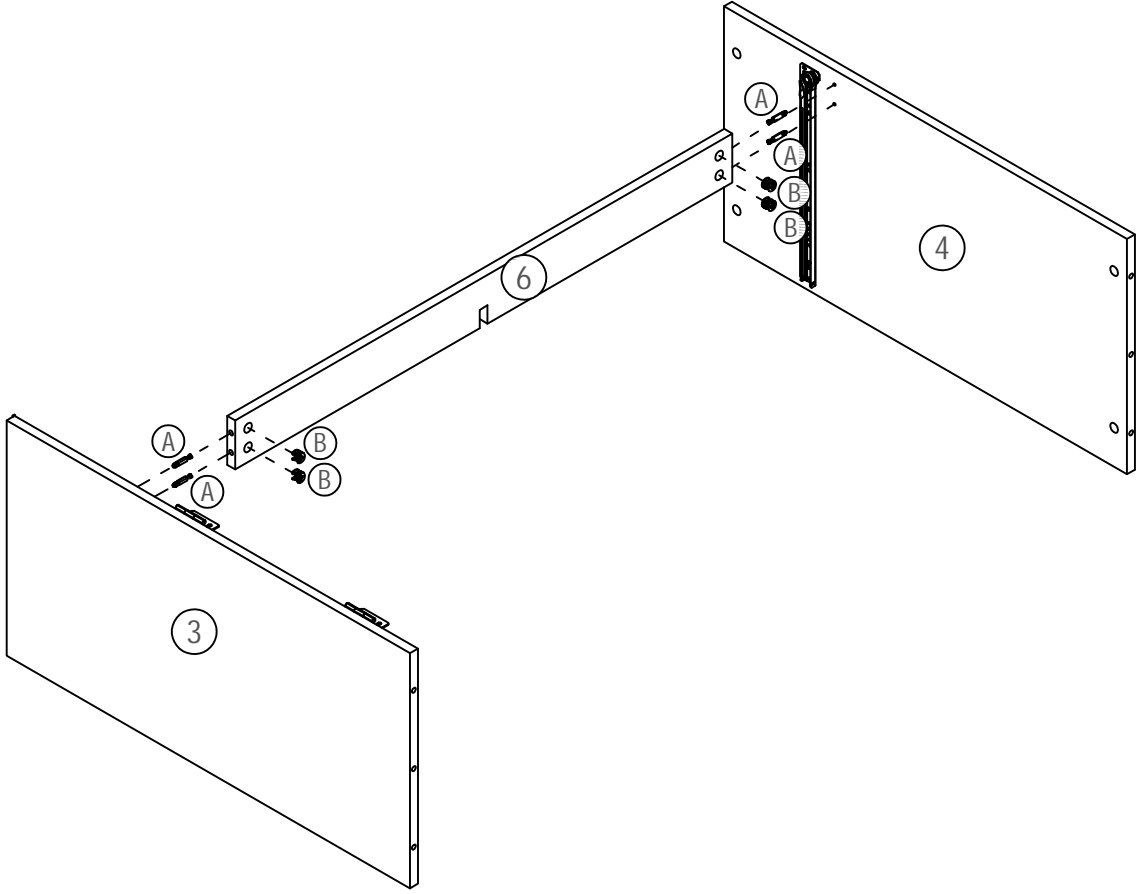


4 PCS

B

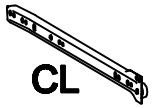


4 PCS



# STEP3

(F)



1 PCS

(F)



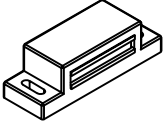
1 PCS

(G)



4 PCS

(N)

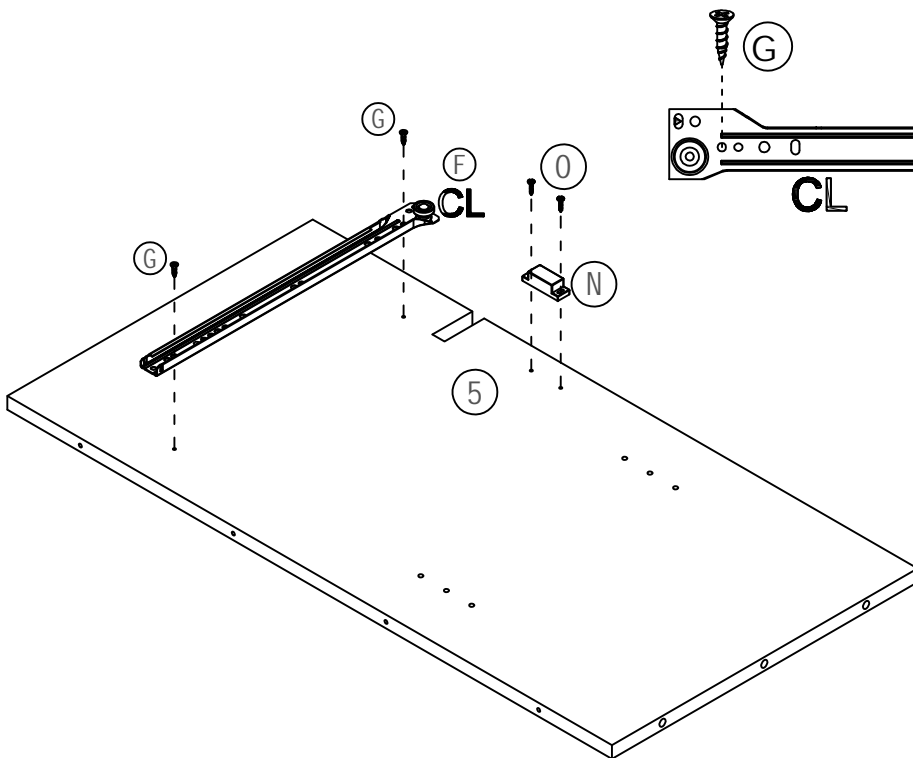
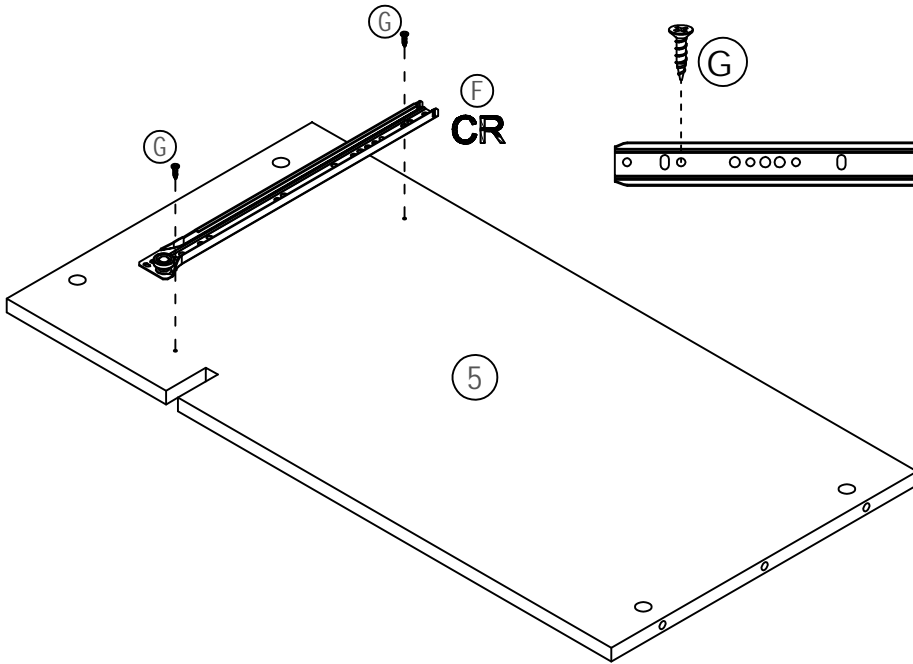


1 PCS

(O)

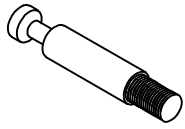


2 PCS



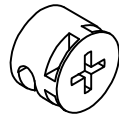
# STEP4

A

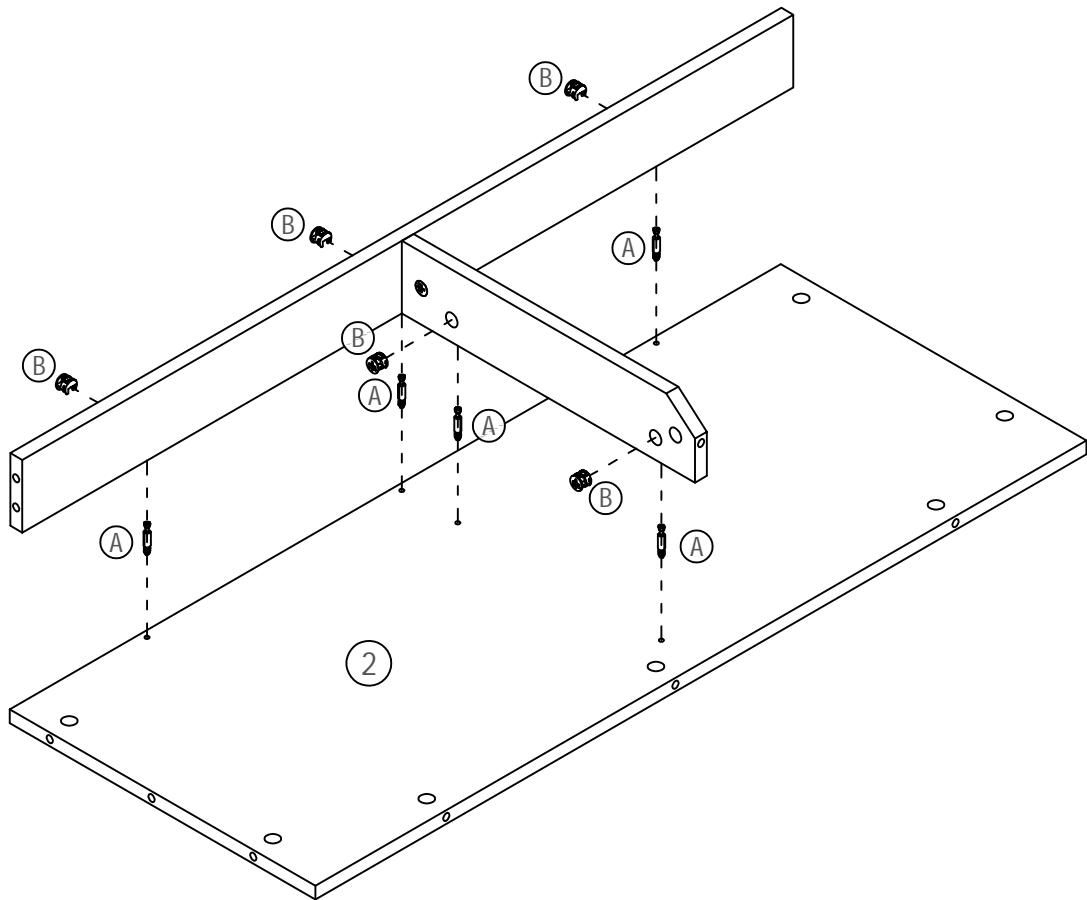
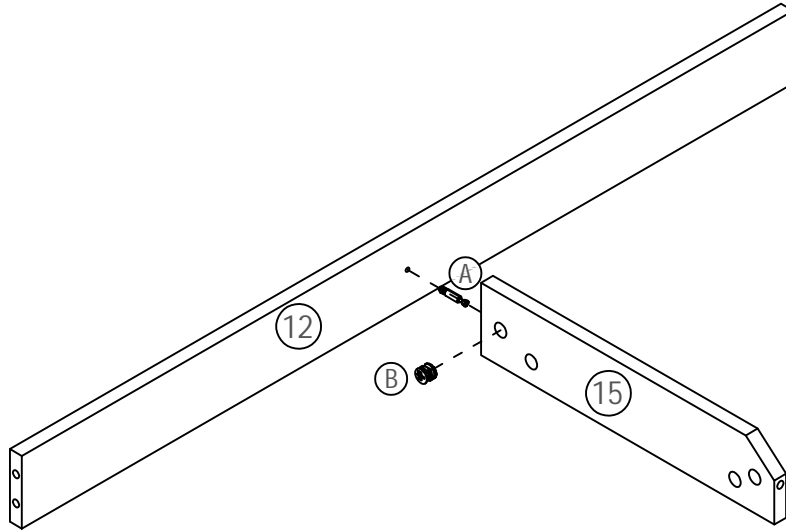


6 PCS

B



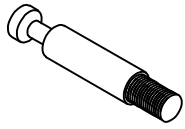
6 PCS





# STEP5

(A)



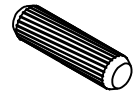
16 PCS

(B)

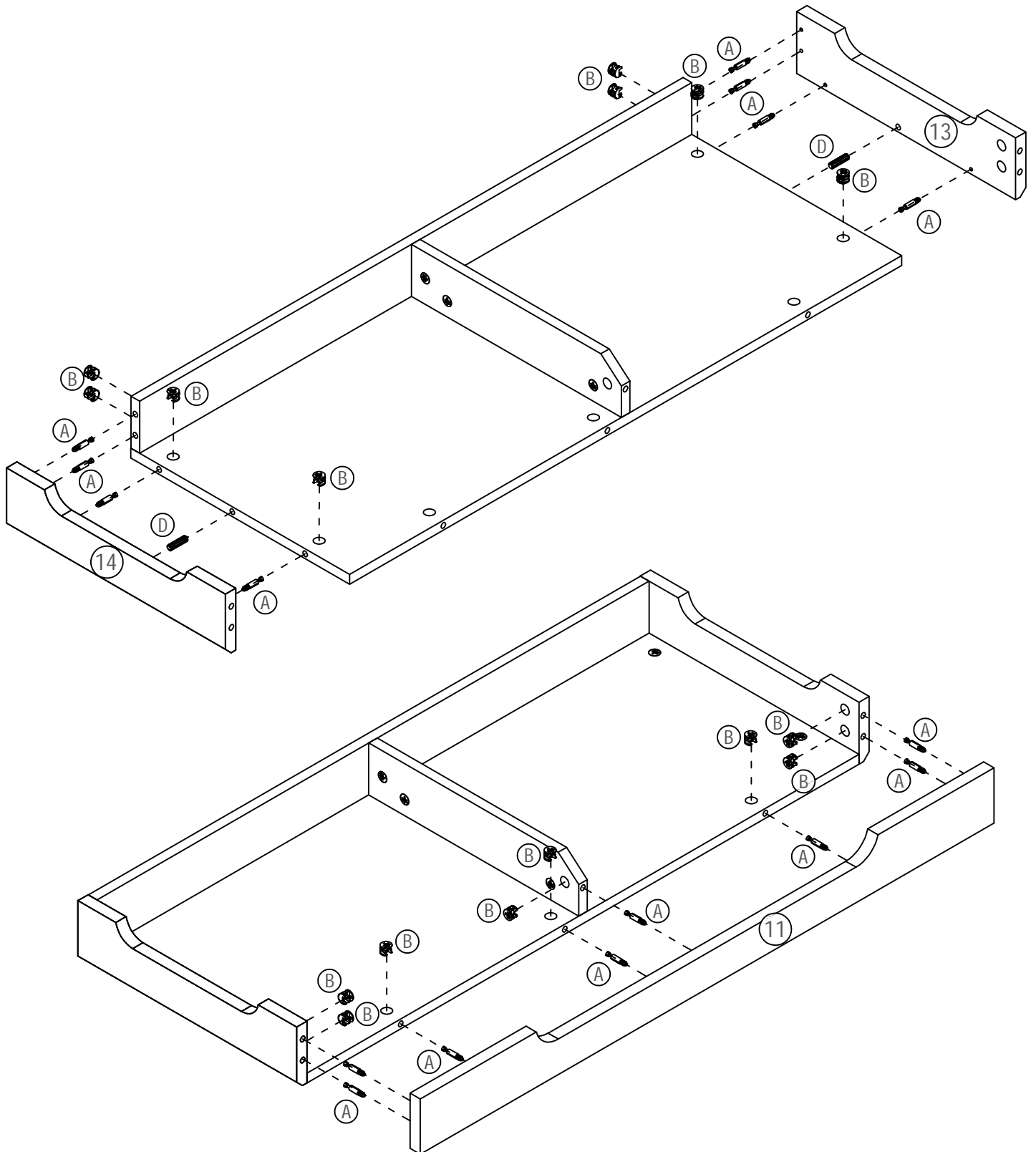


16 PCS

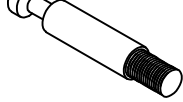

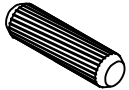
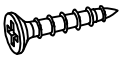
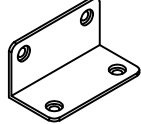
(D)

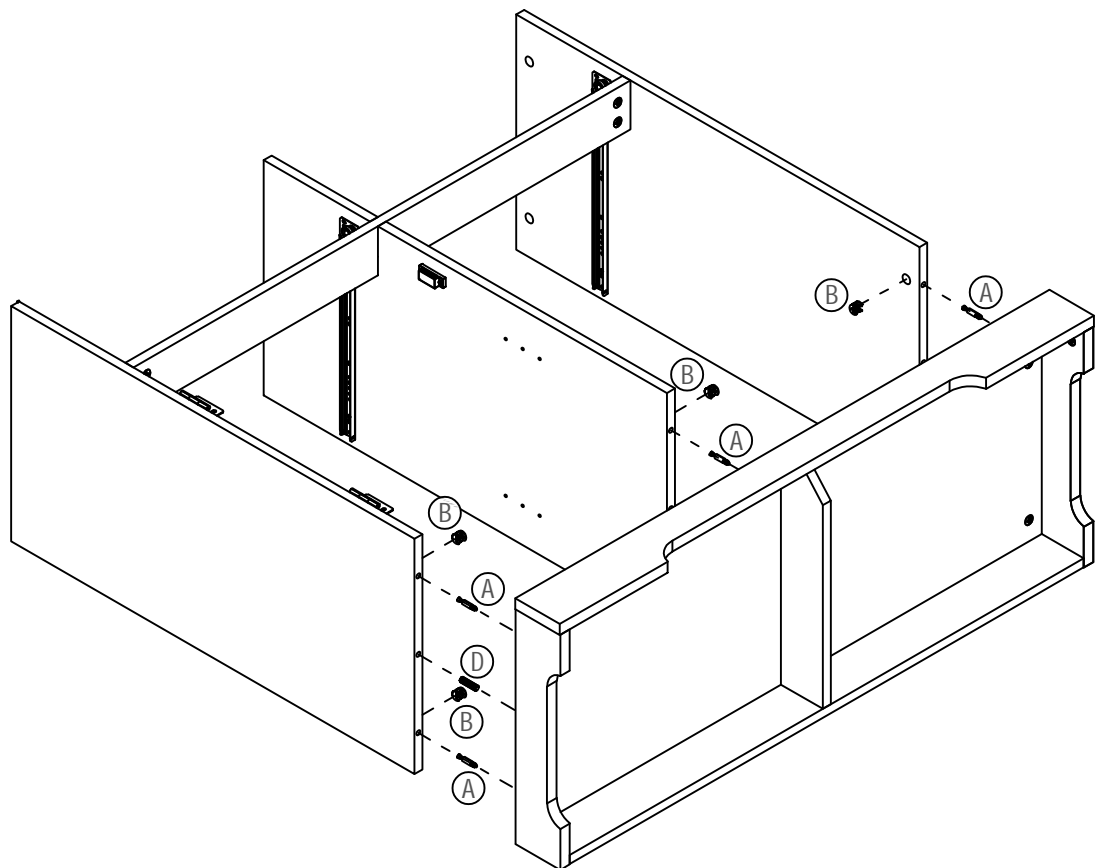
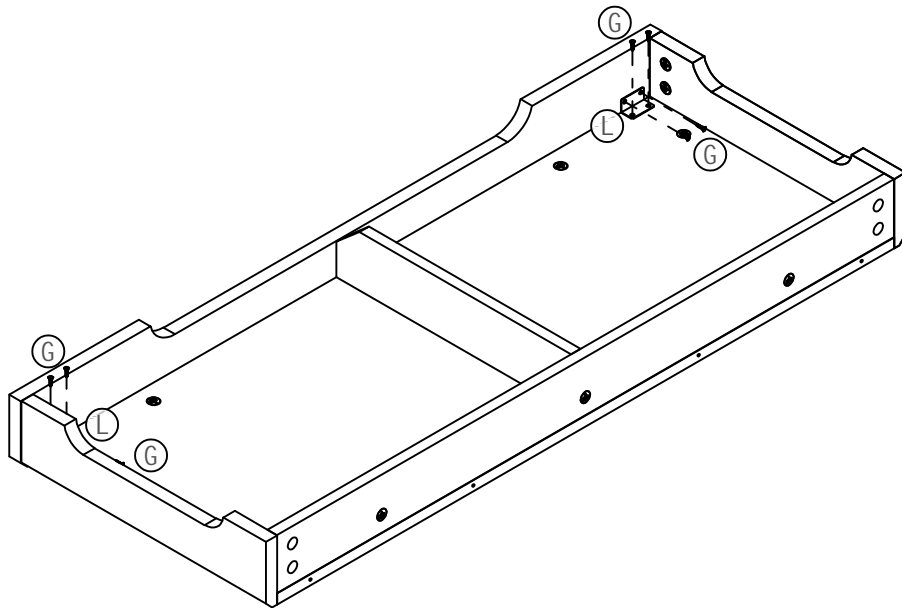


2 PCS



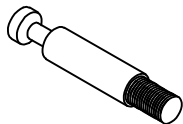
# STEP 6

<p>(A)  6 PCS</p>	<p>(B)  6 PCS</p>	<p>(D)  3 PCS</p>
<p>(G)  8 PCS</p>	<p>(L)  2 PCS</p>	



# STEP 7

A



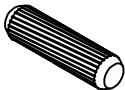
6 PCS

B

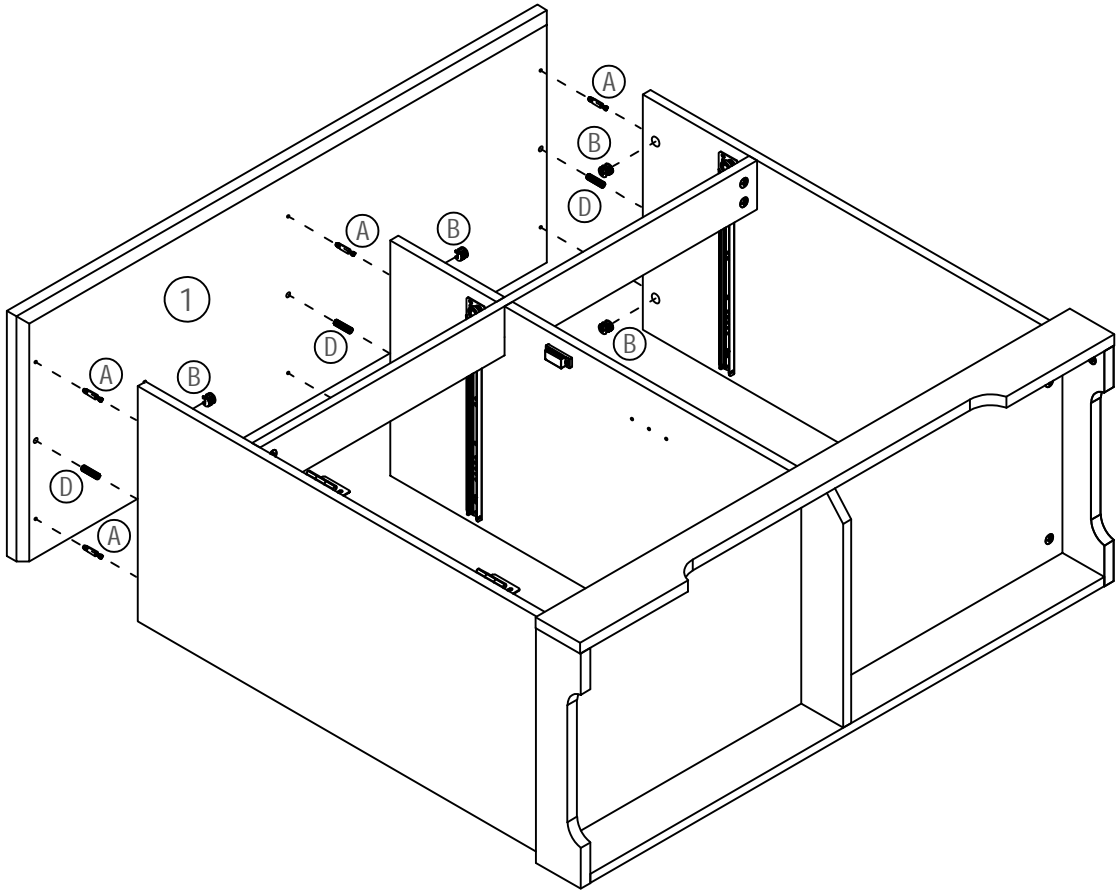


6 PCS

D

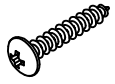


3 PCS

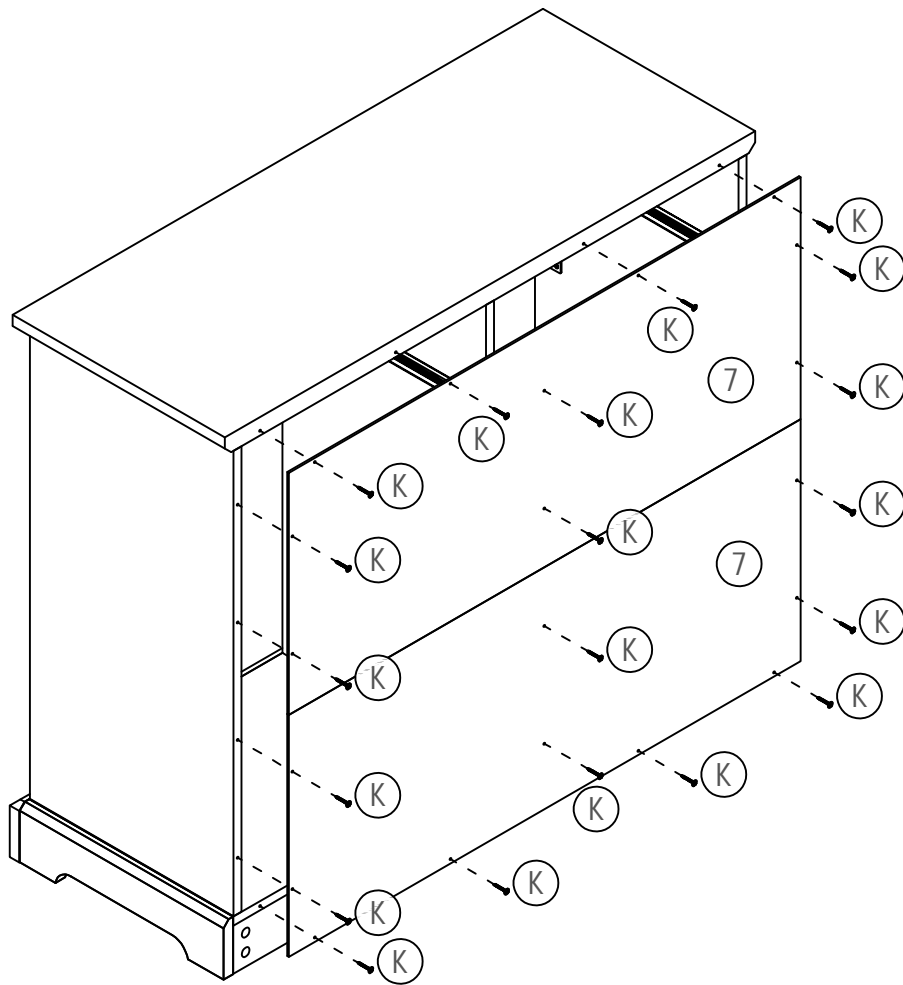


# STEP8

K

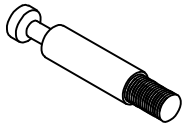


20 PCS



# STEP9

A

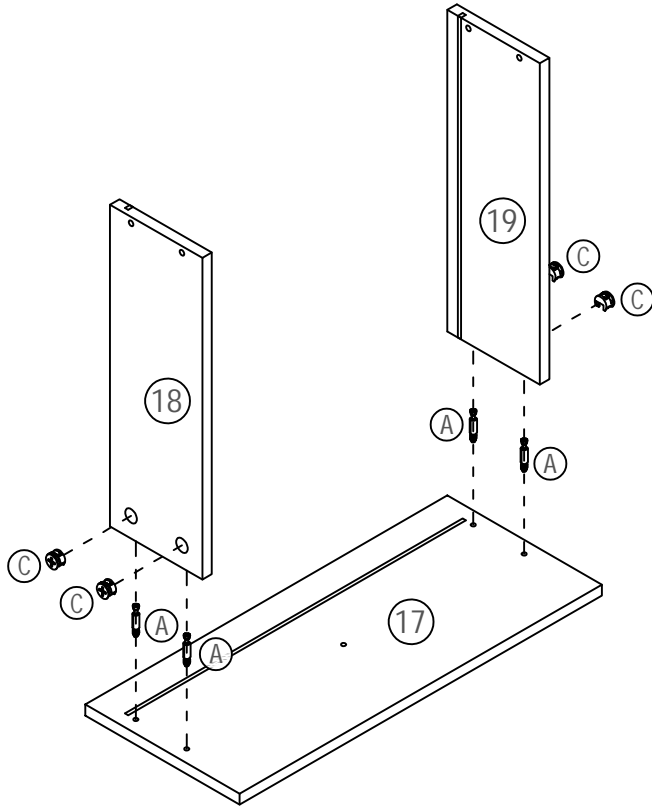


8 PCS

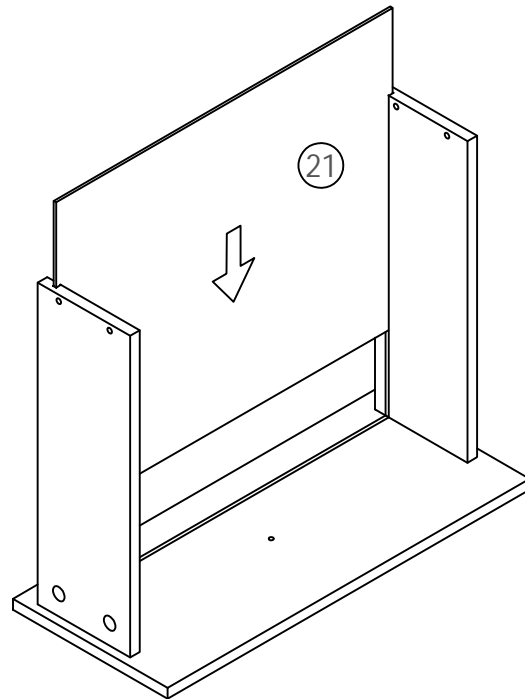
C



8 PCS

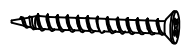


X2



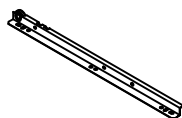
# STEP10

I



8 PCS

F

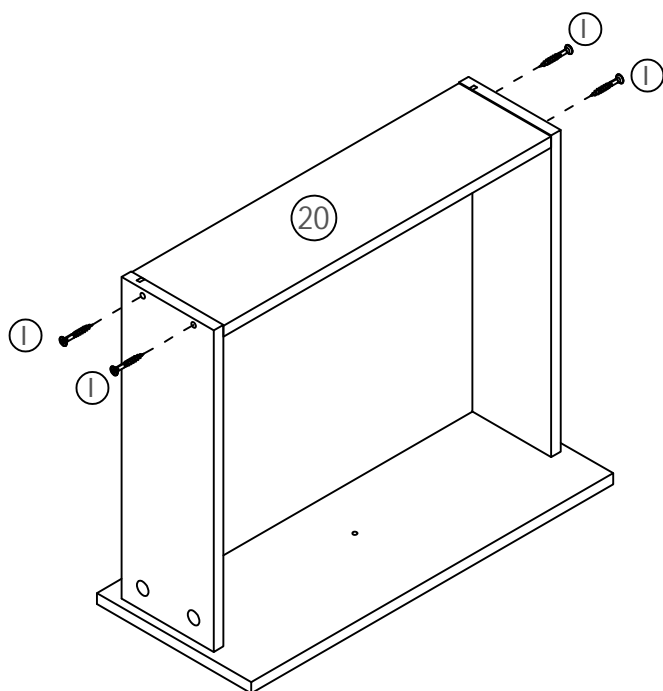


4 PCS

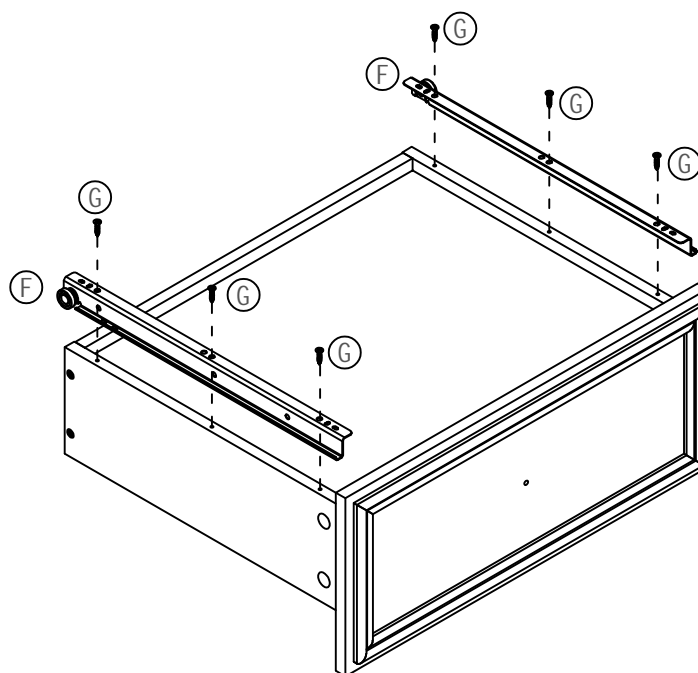
G



12 PCS



X2



# STEP11

(H)



3 PCS

(J)



3 PCS

(G)

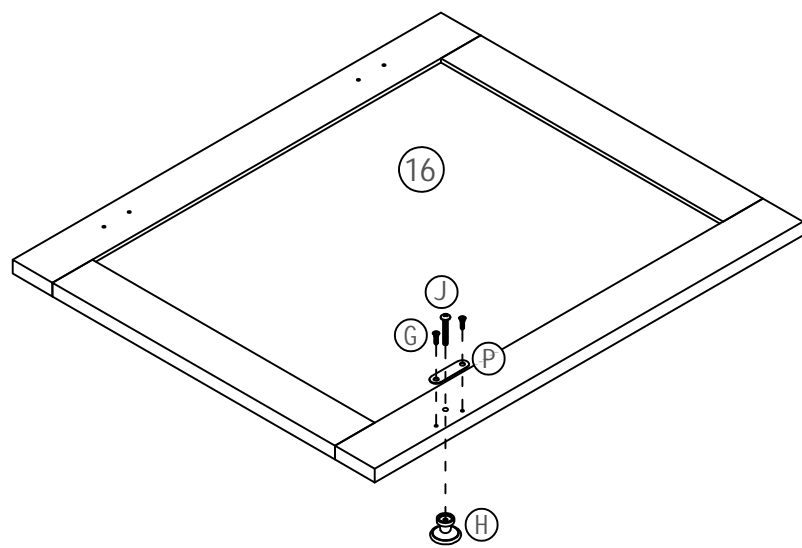
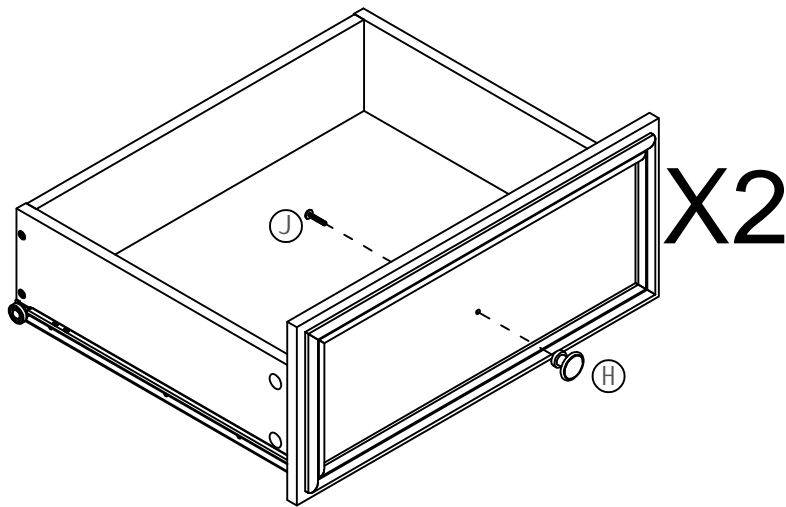


2 PCS

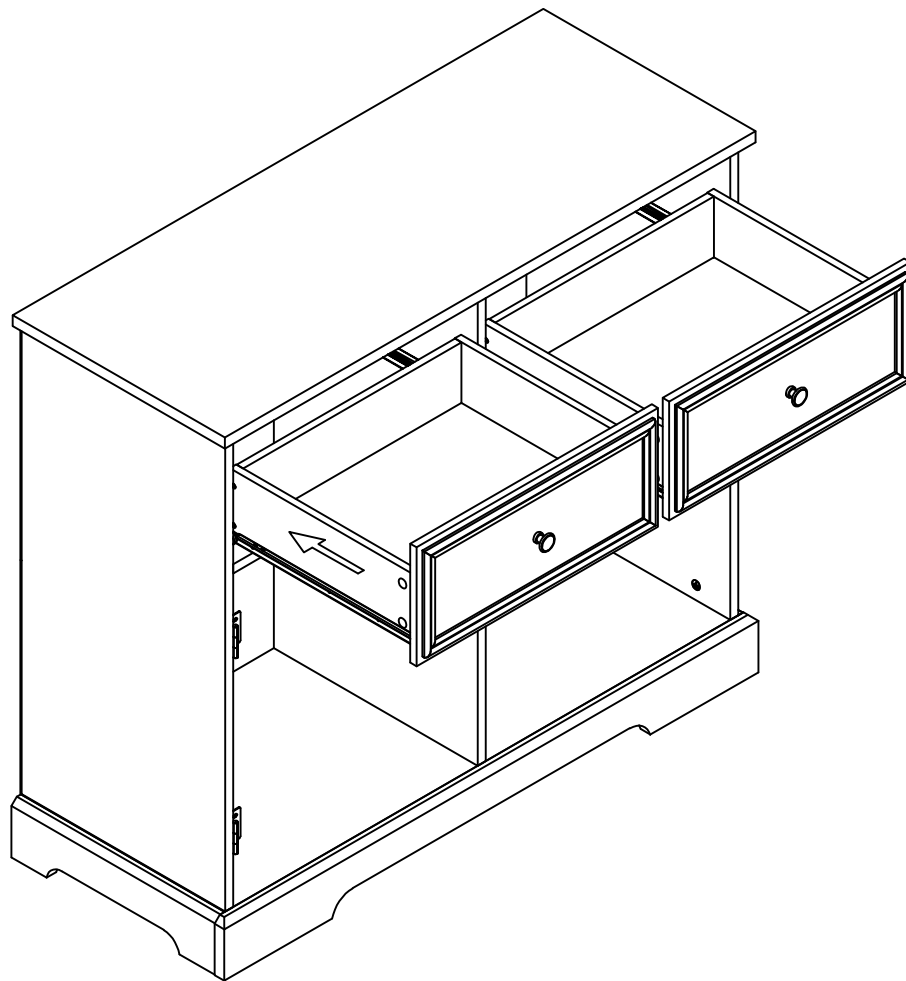
(P)



1 PCS



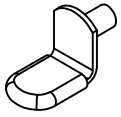
# STEP12



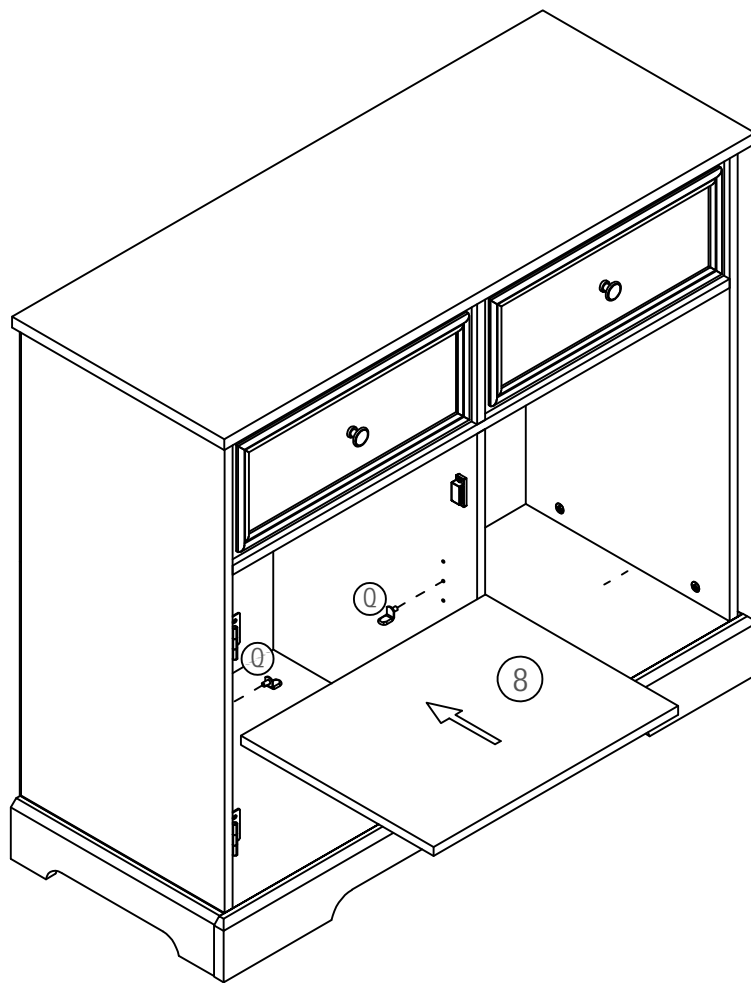


# STEP13

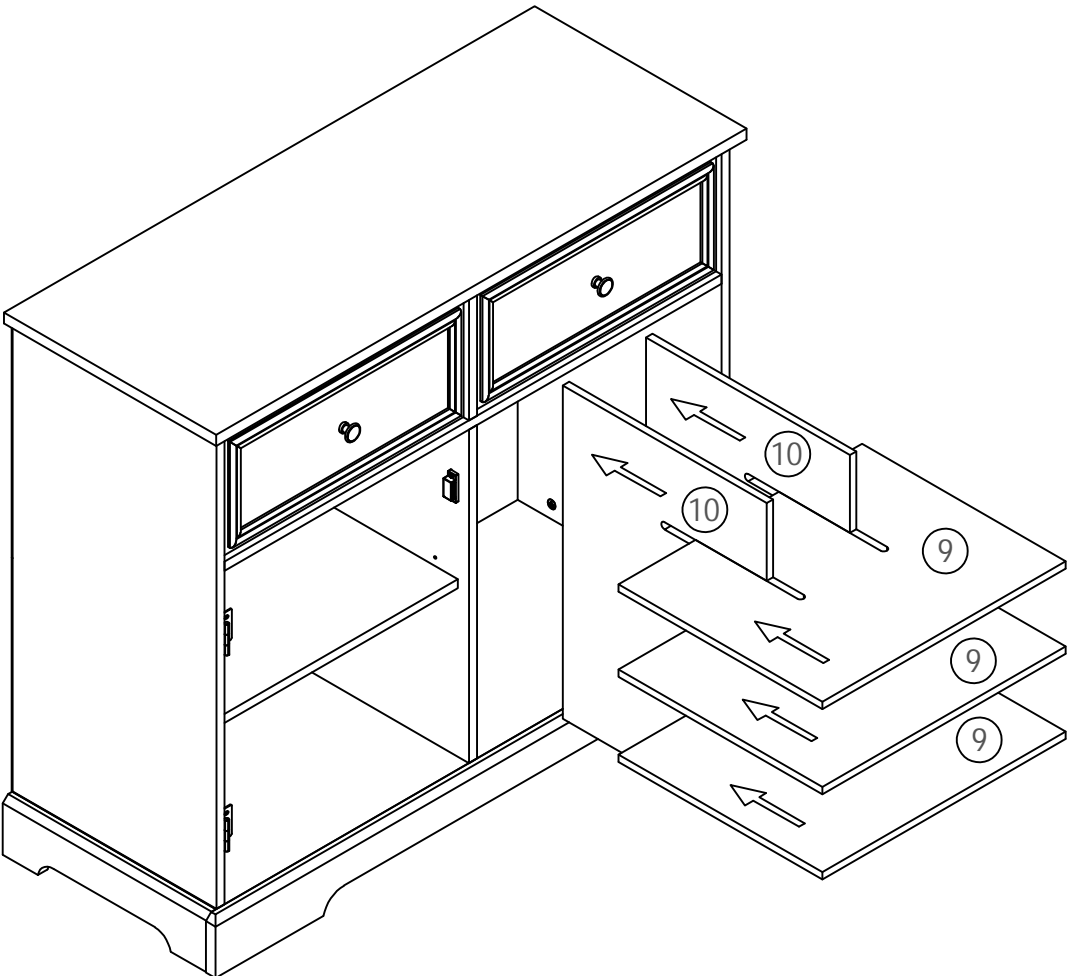
Q



4 PCS

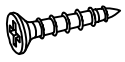


STEP14

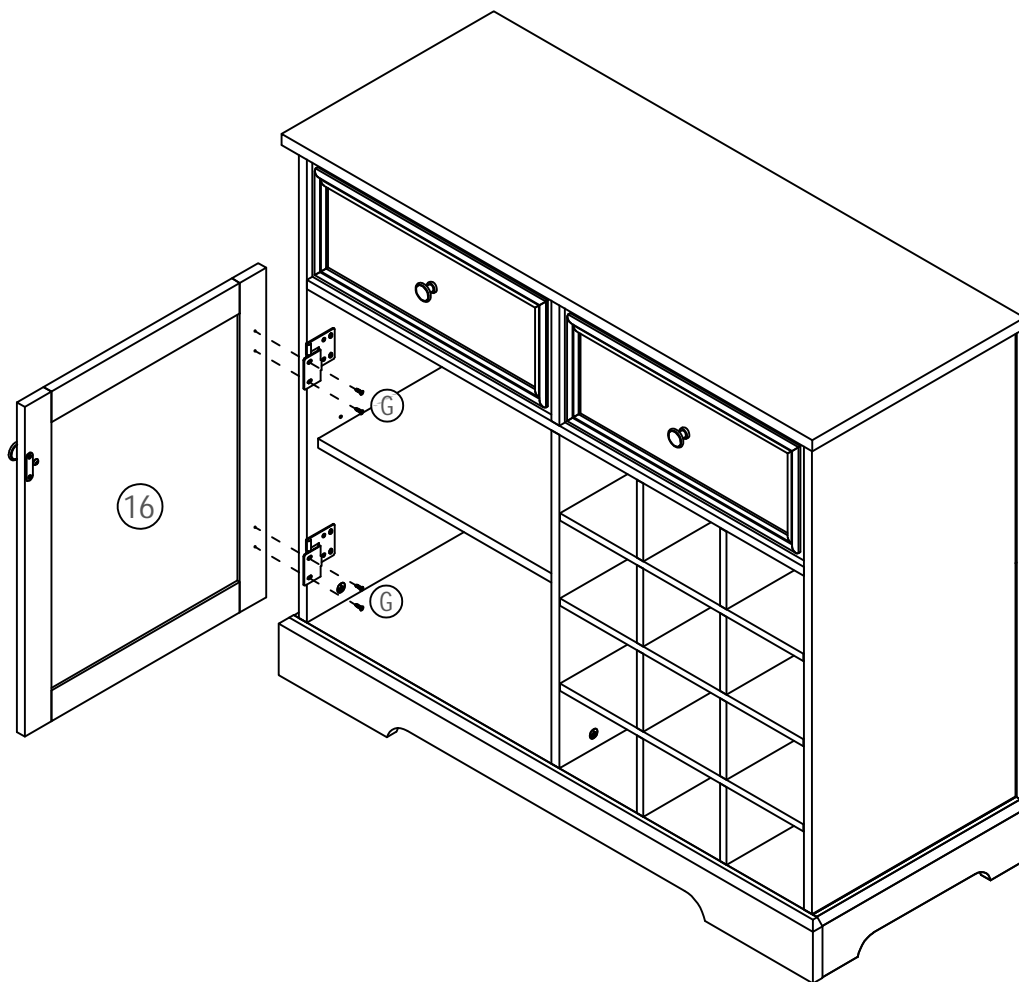


# STEP15

G



4 PCS



# STEP 16

