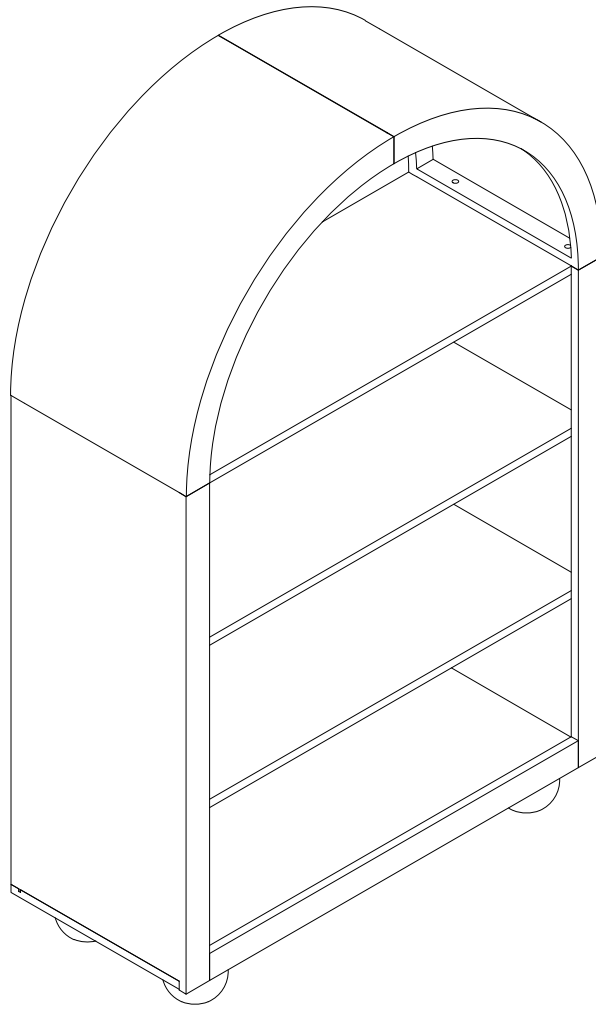


Installation Instruction



Product name

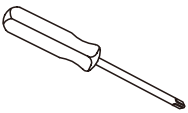
Bookshelf

Ver.1.0 20240430

Assembling

What you need

- Use the packaging carton as a working surface to prevent product damage during assembly
- Phillips head screwdriver



Weight Limitation



30

lbs per shelf



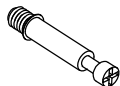
2 PERSONS

What's included

Code	Description	Qty
A	Cam Bolt M6X35MM	19
B	Cam Lock 15X10MM	19
C	Wooden Dowel M6X30MM	19
D	Foot Pads	4
E	Nylon Strap	2
F	Screw M4X14MM	2
G	Allen Key	1
H	Bolt M6X40MM	6
I	Screw Nut	6
J	Hex Wrench	1
K	Anchor M6X30MM	2
L	Screw M4X35MM	2
M	Plastic corner support	8
N	Screw M3X16MM	8
O	Cover Sticker	4
P	Metal Washer	4

The Hardwares

(A)



(B)



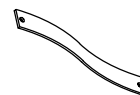
(C)



(D)



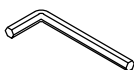
(E)



(F)



(G)



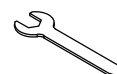
(H)



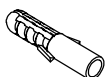
(I)



(J)



(K)



(L)



(M)



(N)



(O)



(P)



IMPORTANT:

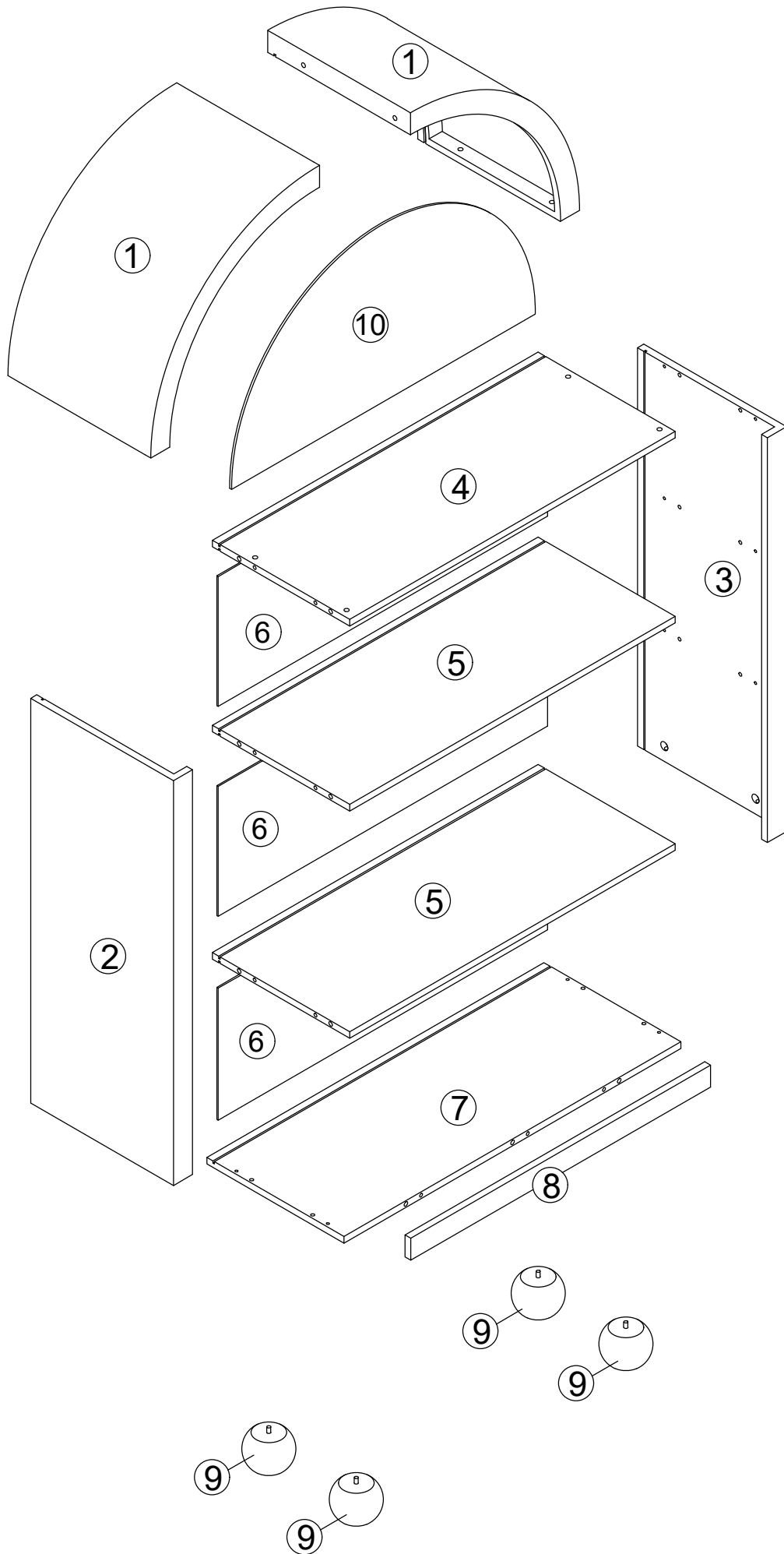
1. Do not tighten bolts / screws completely until all bolts / screws are lined up and inserted into holes.
2. Do not over tighten screws and bolts to avoid stripping.
3. Please use hand tools to assemble this product. Do not use power tools.
4. Must need 2 people to assemble this product.



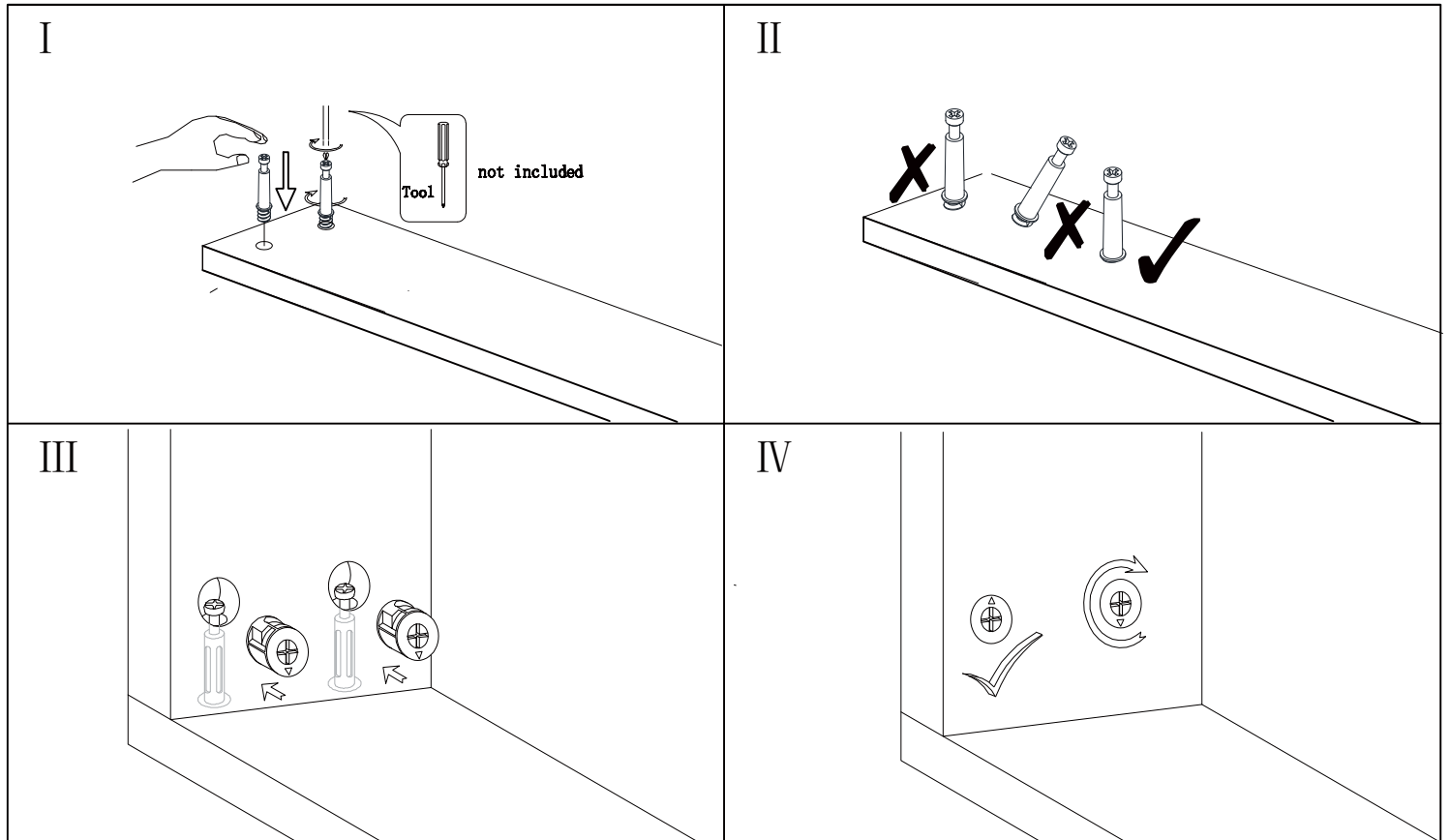
2 PERSONS

Included Accessories

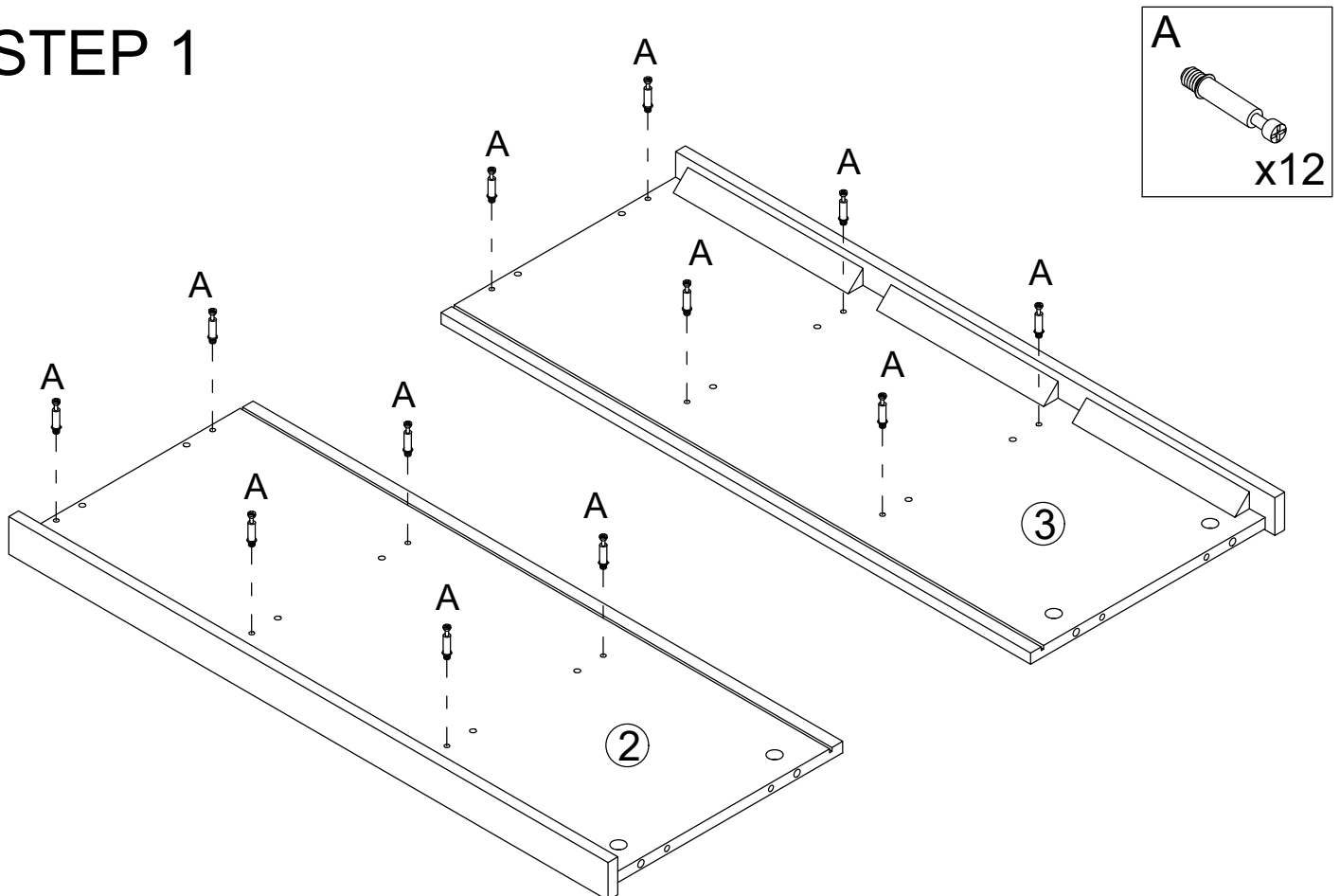
Code	Description	Qty
1	Roof	1
2	Left Side Panel	1
3	Right Side Panel	1
4	Upper Shelf	1
5	Middle Shelf	2
6	Lower back panel	3
7	Bottom Panel	1
8	Bottom Support Panel	1
9	Foot	4
10	Upper back panel	1



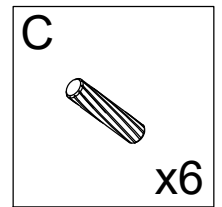
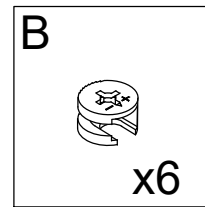
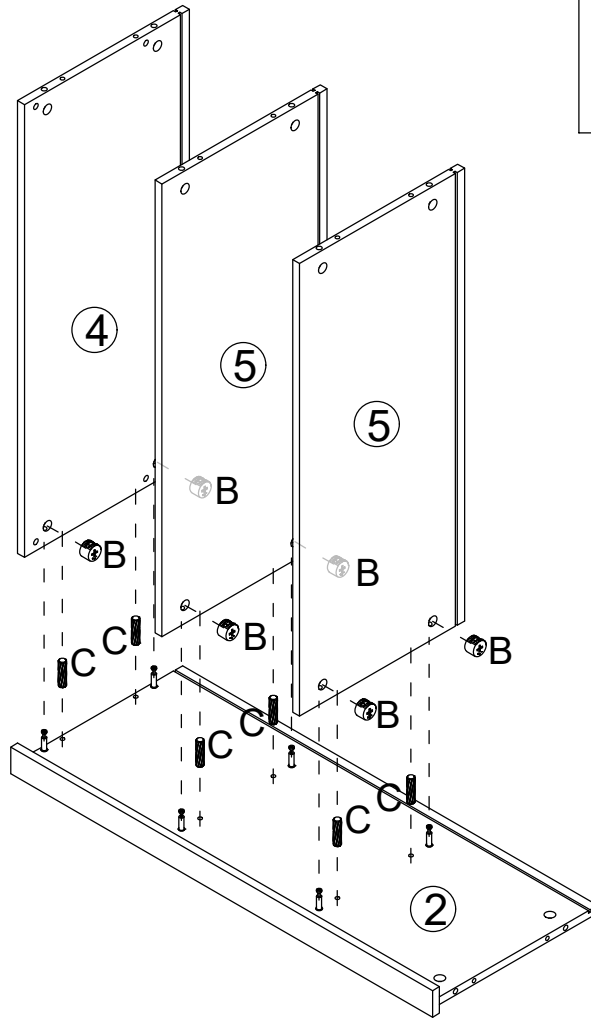
Noted :



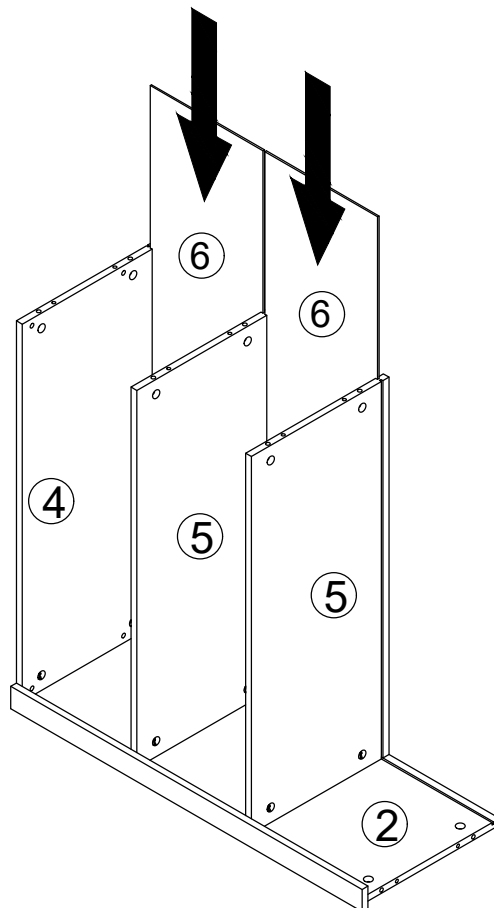
STEP 1



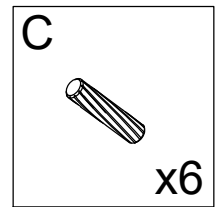
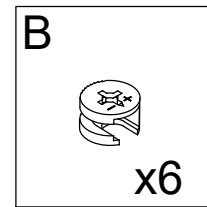
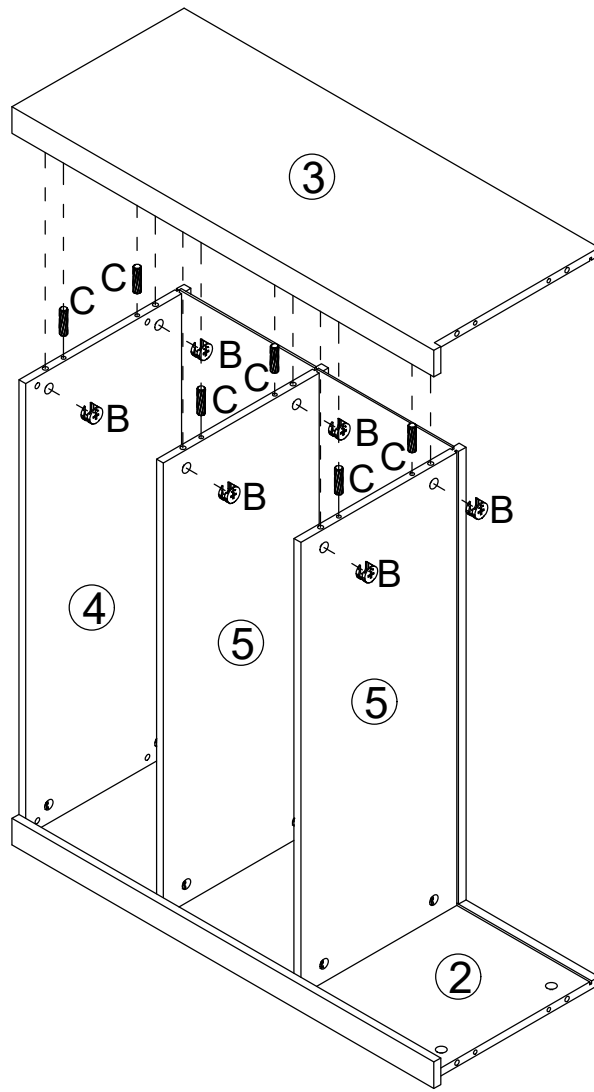
STEP 2



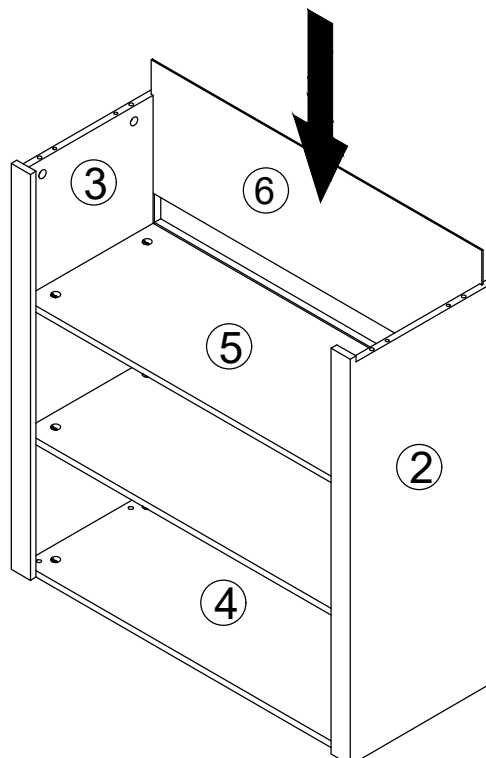
STEP 3



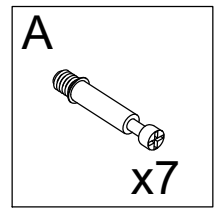
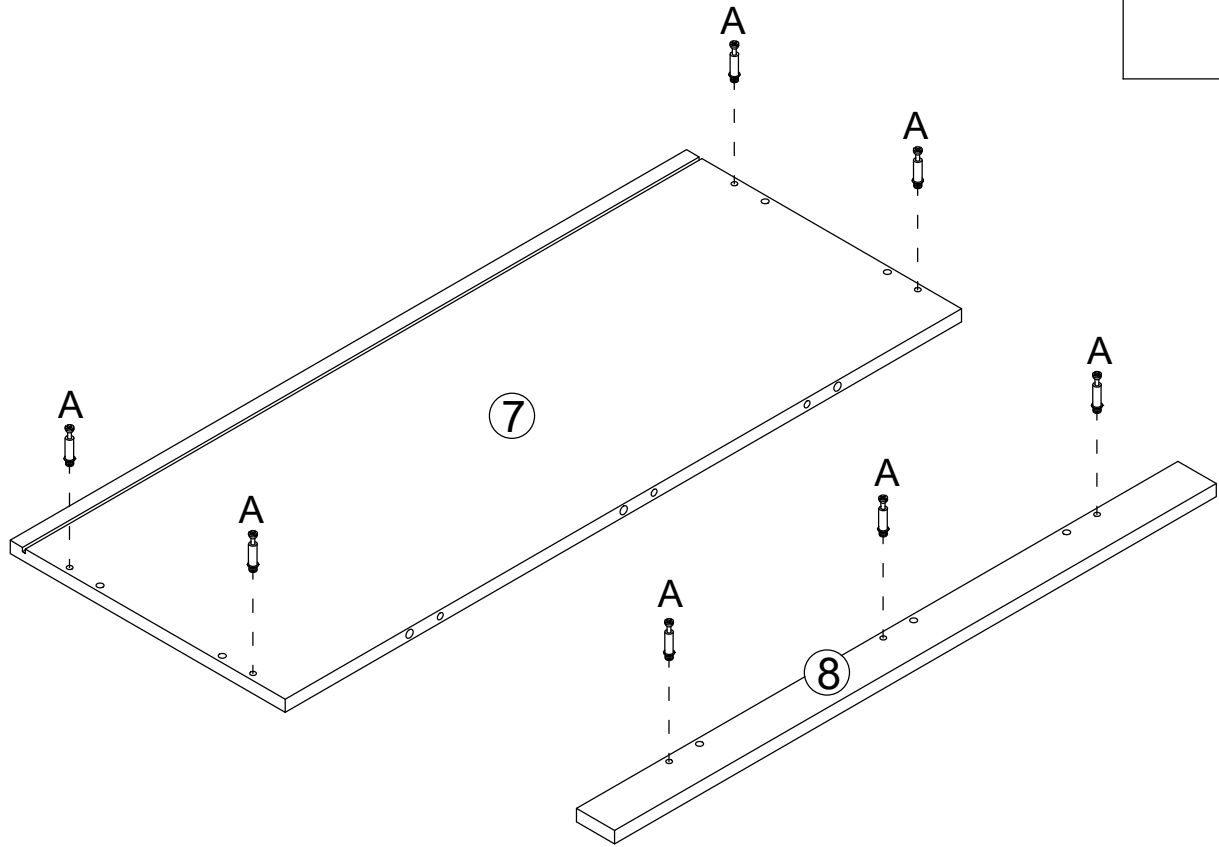
STEP 4



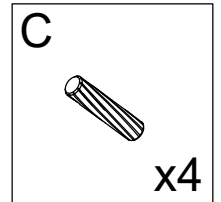
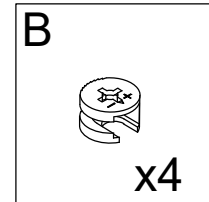
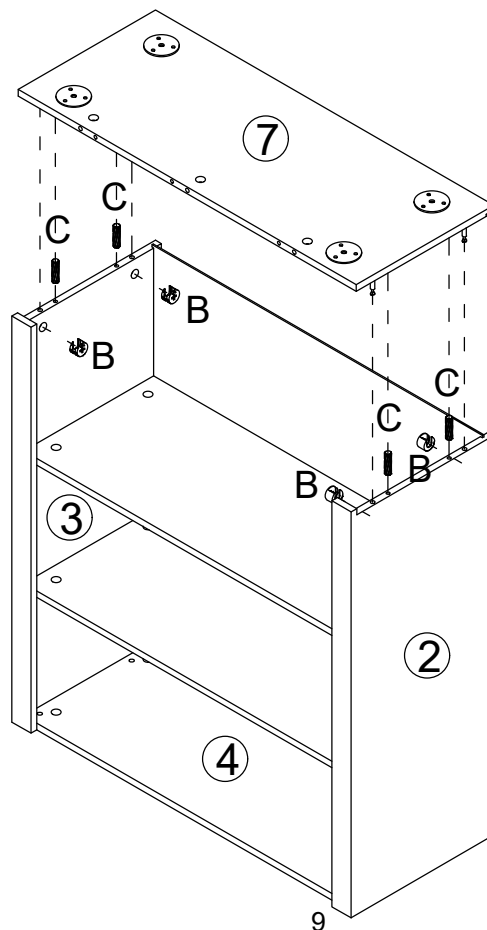
STEP 5



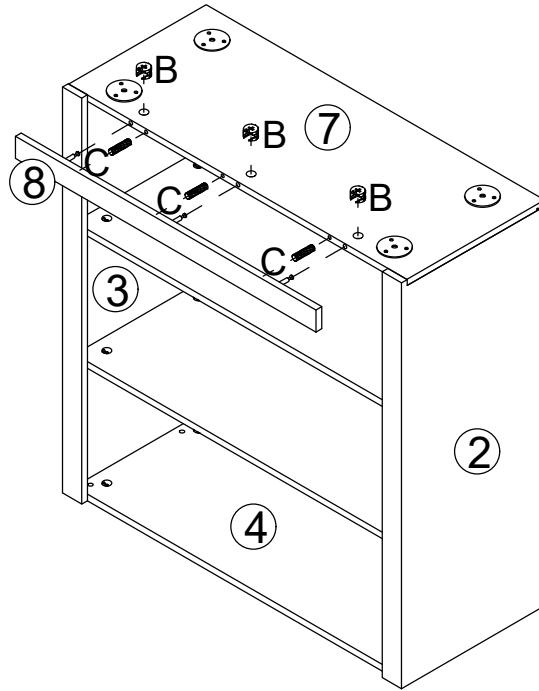
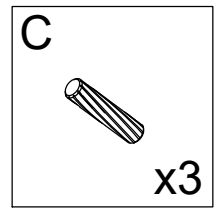
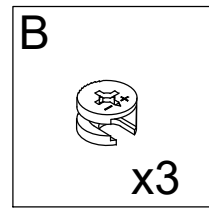
STEP 6



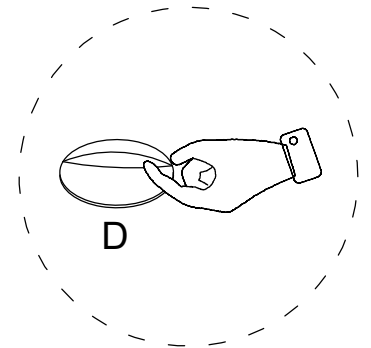
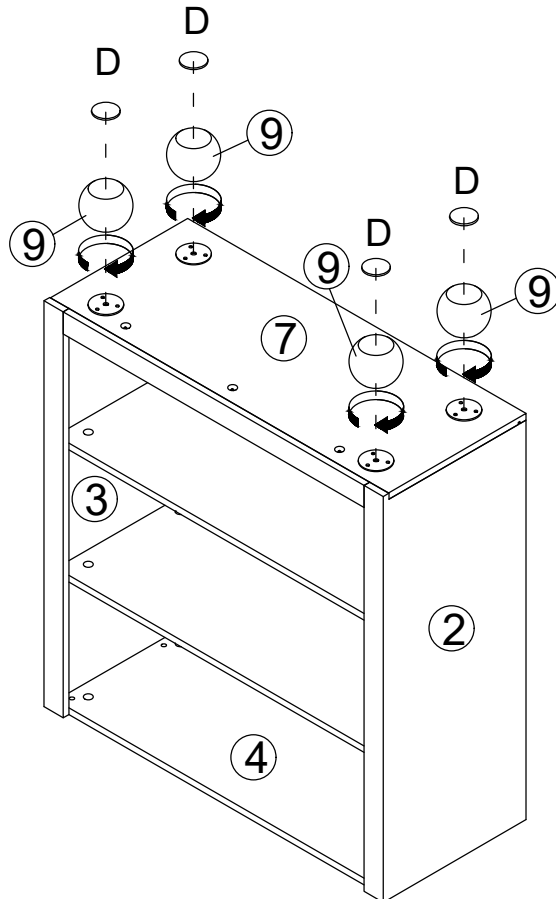
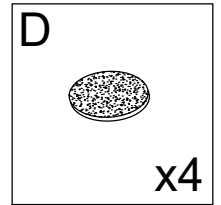
STEP 7



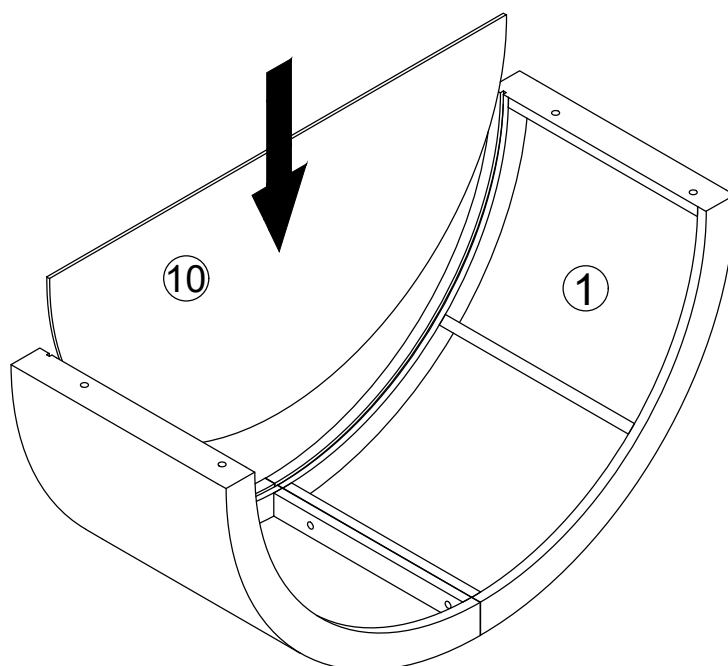
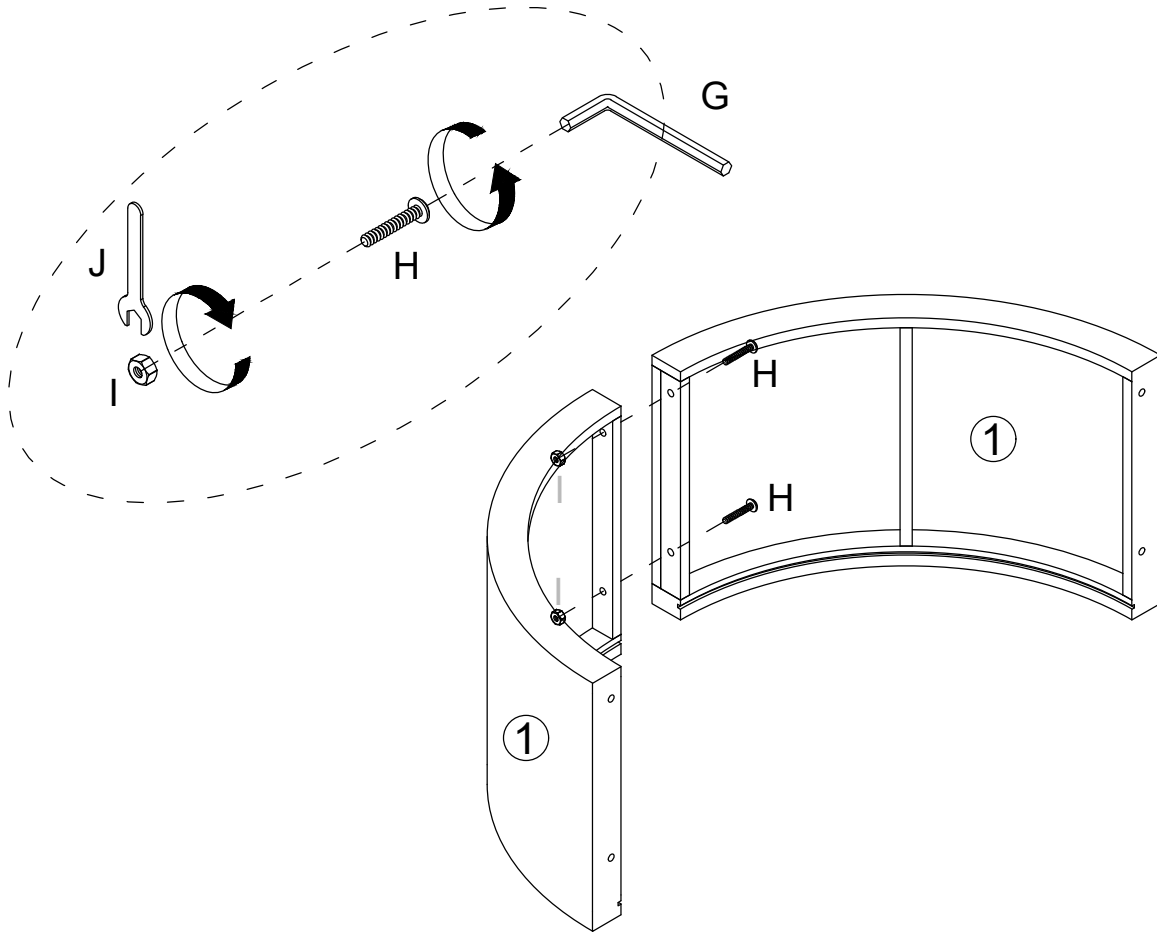
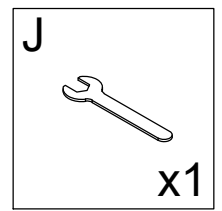
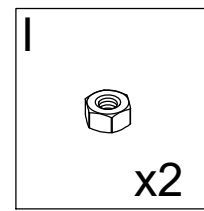
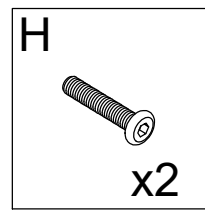
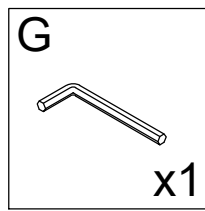
STEP 8



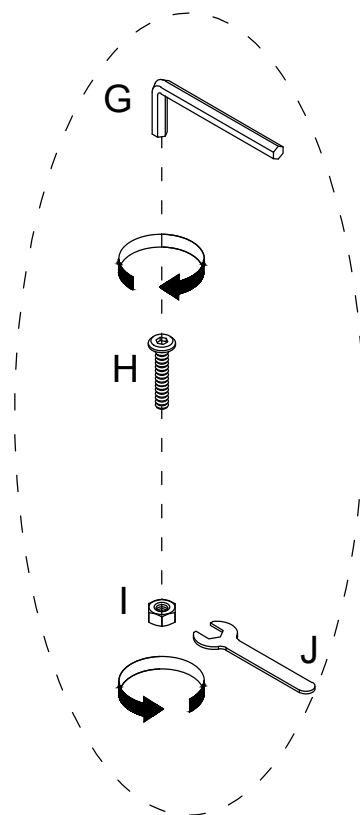
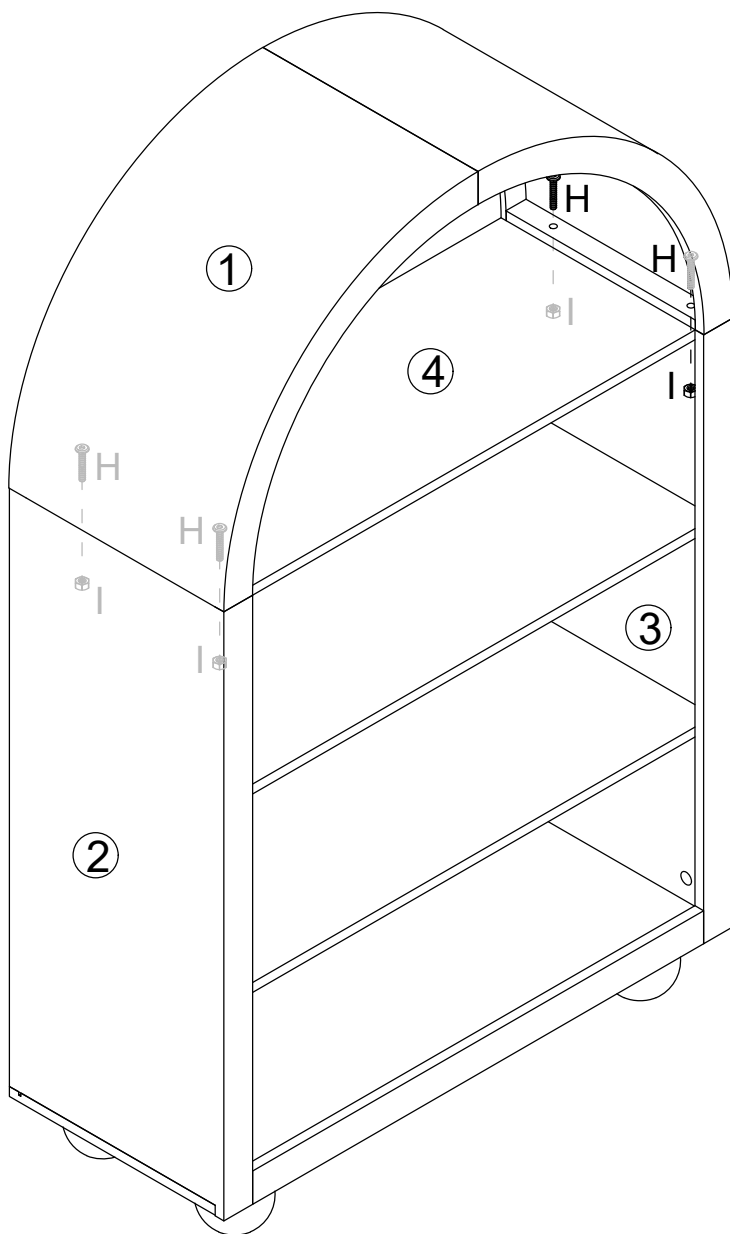
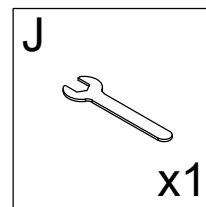
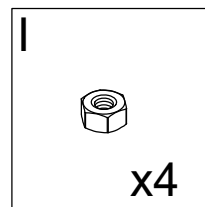
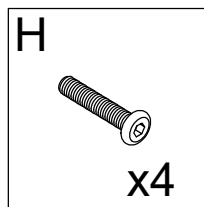
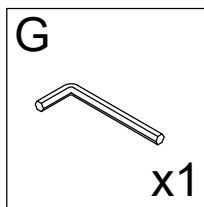
STEP 9



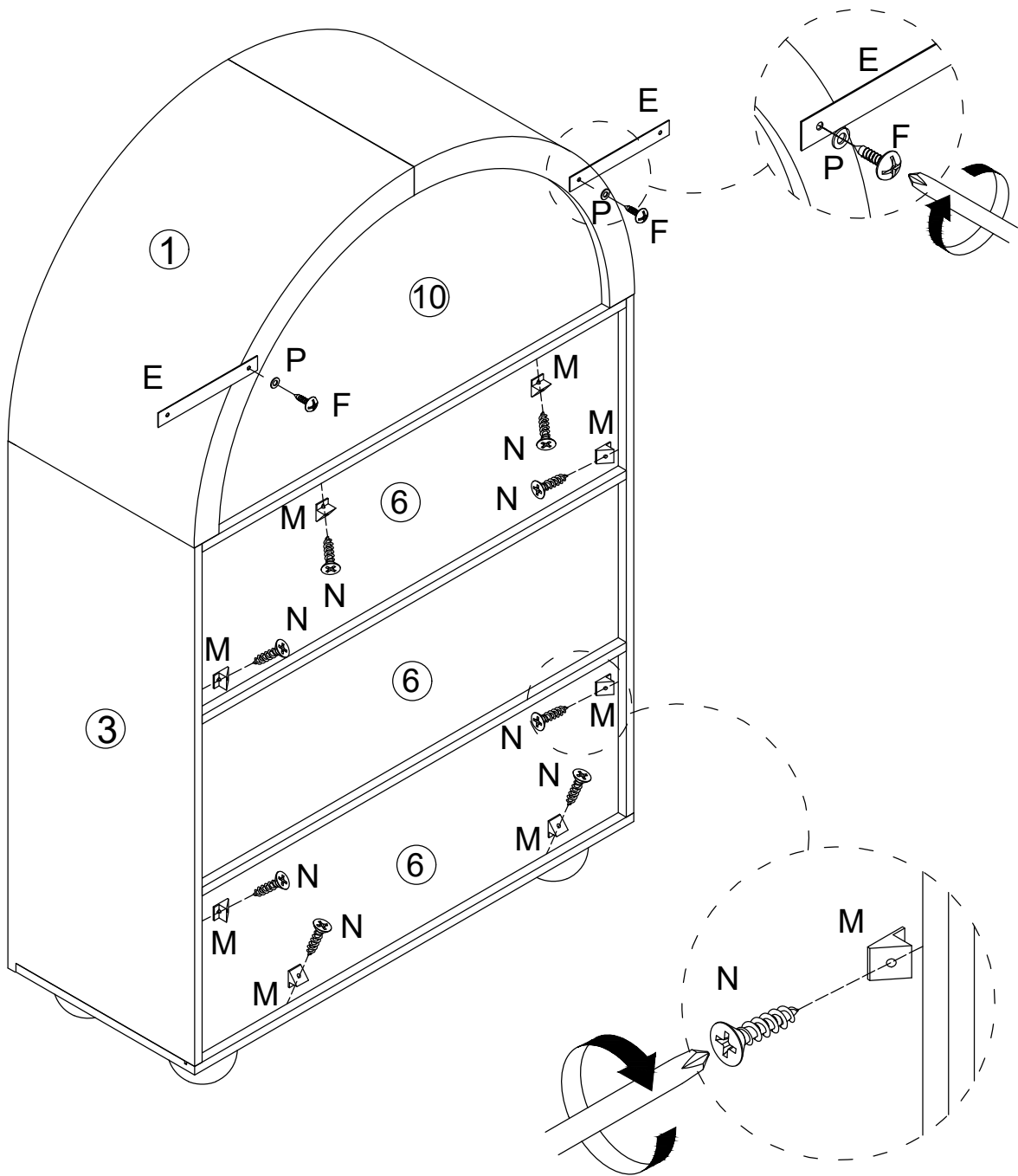
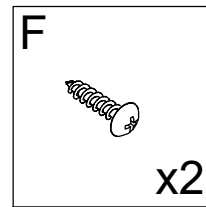
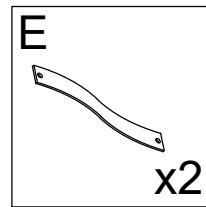
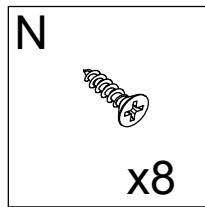
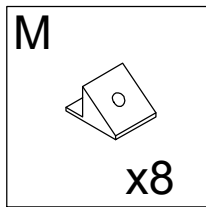
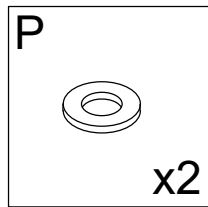
STEP 10



STEP 11



STEP 12



STEP 13

